

COMPACT SERIES - 1:1 RATIO - US & METRIC

AVAILABLE STYLES

Low Torque Journal Bearings

Standard

1-1/2 lbs. (0.68 kgs.)



Foot Mount

1-3/4 lbs. (0.79 kgs.)



AVAILABLE STYLES

High Torque Roller Bearings

Standard

1-1/2 lbs. (0.68 kgs.)



Foot Mount

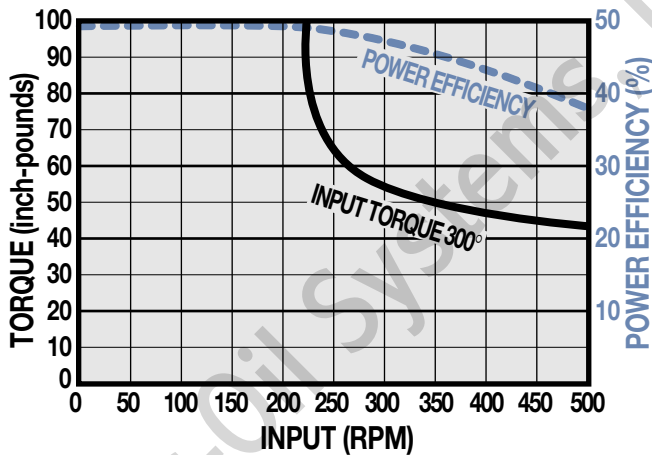
1-3/4 lbs. (0.79 kgs.)



PERFORMANCE DATA

Low Torque Journal Bearings

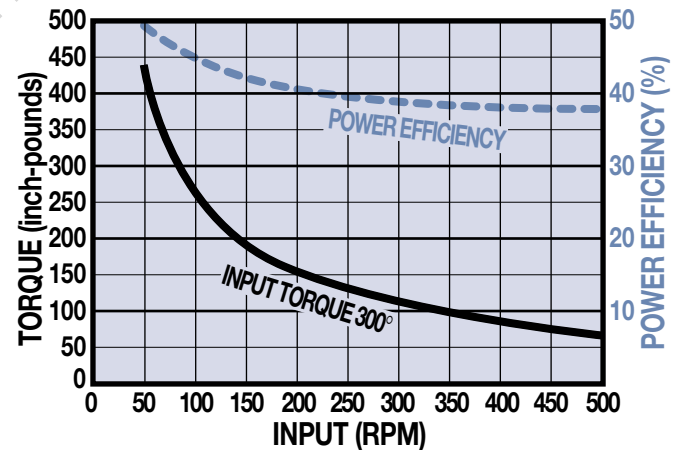
Torque and Efficiency vs RPM at Maximum Bearing Temperature



PERFORMANCE DATA

High Torque Roller Bearings

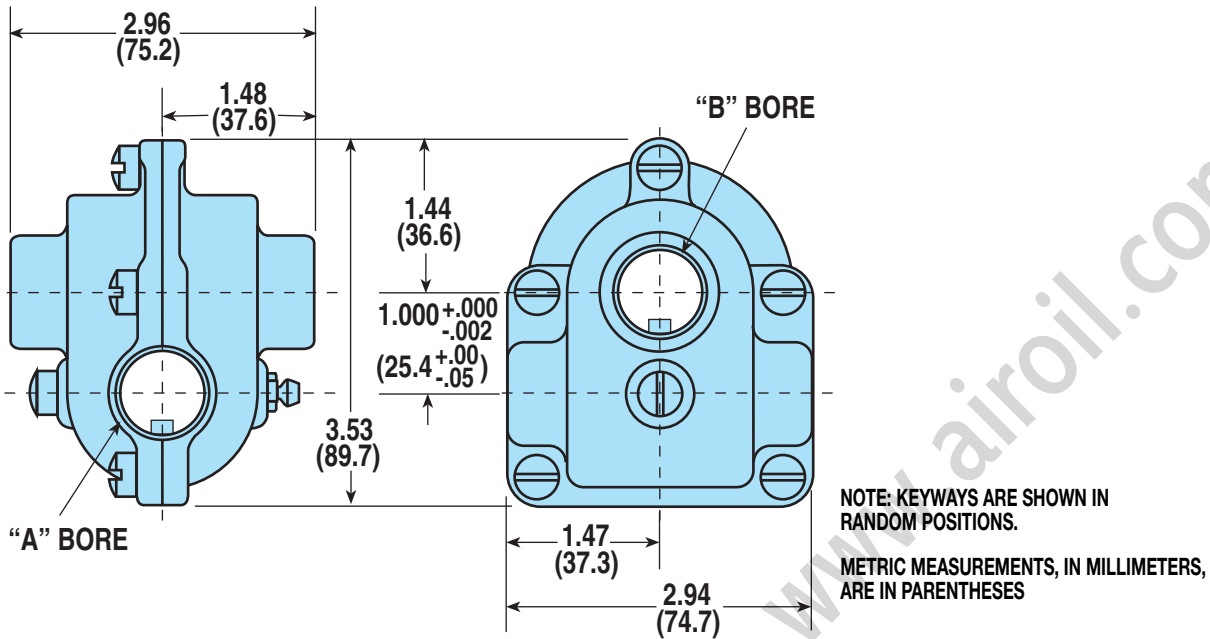
Torque and Efficiency vs RPM at Maximum Bearing Temperature



COMPACT SERIES - 1:1 RATIO - US & METRIC

DIMENSIONS: COMPACT STANDARD HIGH TORQUE & LOW TORQUE BEARINGS

Model Builder 3D CAD Available at: www.tolomatic.com



Models and Bore Dimensions

U.S. - COMPACT STANDARD - 1:1

LOW TORQUE JOURNAL BEARING & HIGH TORQUE ROLLER BEARING

LOW TORQUE JOURNAL MODEL NO.	HIGH TORQUE ROLLER MODEL NO.	RH OR LH	"A" BORE		"B" BORE	
			BORE SIZE (IN.)	WxD KEYWAY (IN.)	BORE SIZE (IN.)	WxD KEYWAY (IN.)
0106-0000	0105-0100	RH	1/2	1/8 x 1/16	1/2	1/8 x 1/16
0105-0000	0106-0100	LH	1/2	1/8 x 1/16	1/2	1/8 x 1/16
0108-0000	0107-0100	RH	1/2	1/8 x 1/16	5/8	1/8 x 1/16
0107-0000	0108-0100	LH	1/2	1/8 x 1/16	5/8	1/8 x 1/16
0110-0000	0109-0100	RH	5/8	1/8 x 1/16	5/8	1/8 x 1/16
0109-0000	0110-0100	LH	5/8	1/8 x 1/16	5/8	1/8 x 1/16

METRIC - COMPACT STANDARD - 1:1

HIGH TORQUE ROLLER BEARING

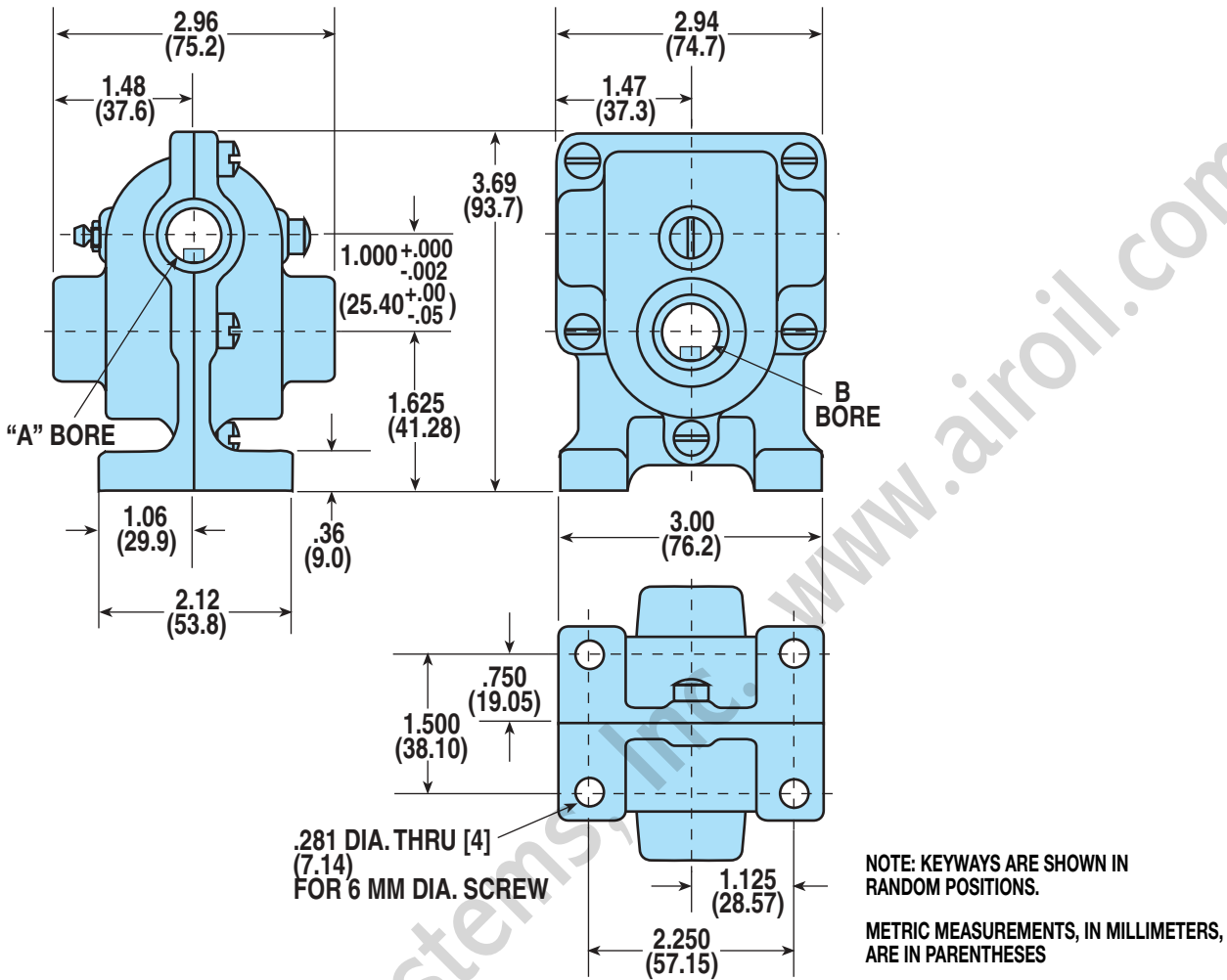
HIGH TORQUE ROLLER MODEL NO.	RH OR LH	"A" BORE		"B" BORE	
		BORE SIZE (MM)	WxD KEYWAY (MM)	BORE SIZE (MM)	WxD KEYWAY (MM)
0120-0100	RH	12	4 x 2	12	4 x 2
0121-0100	LH	12	4 x 2	12	4 x 2
0122-0100	RH	12	4 x 2	15	5 x 2.5
0123-0100	LH	12	4 x 2	15	5 x 2.5
0124-0100	RH	15	5 x 2.5	15	5 x 2.5
0125-0100	LH	15	5 x 2.5	15	5 x 2.5

NOTE: METRIC SIZES AVAILABLE ONLY IN HIGH TORQUE ROLLER BEARING MODELS.

COMPACT SERIES - 1:1 RATIO - US & METRIC

DIMENSIONS: COMPACT FOOT MOUNT HIGH TORQUE & LOW TORQUE BEARINGS

Model Builder 3D CAD Available at: www.tolomatic.com



Models and Bore Dimensions

U.S. - COMPACT FOOT MOUNT - 1:1

LOW TORQUE JOURNAL BEARING & HIGH TORQUE ROLLER BEARING

LOW TORQUE JOURNAL MODEL NO.	HIGH TORQUE ROLLER MODEL NO.	RH OR LH	"A" BORE		"B" BORE	
			BORE SIZE (IN.)	WxD KEYWAY (IN.)	BORE SIZE (IN.)	WxD KEYWAY (IN.)
0112-0000	0111-0100	RH	1/2	1/8 x 1/16	1/2	1/8 x 1/16
0111-0000	0112-0100	LH	1/2	1/8 x 1/16	1/2	1/8 x 1/16
0114-0000	0113-0100	RH	1/2	1/8 x 1/16	5/8	1/8 x 1/16
0113-0000	0114-0100	LH	1/2	1/8 x 1/16	5/8	1/8 x 1/16
0116-0000	0115-0100	RH	5/8	1/8 x 1/16	5/8	1/8 x 1/16
0115-0000	0116-0100	LH	5/8	1/8 x 1/16	5/8	1/8 x 1/16

METRIC - COMPACT FOOT MOUNT - 1:1 HIGH TORQUE ROLLER BEARING

HIGH TORQUE ROLLER MODEL NO.	RH OR LH	"A" BORE		"B" BORE	
		BORE SIZE (MM)	WxD KEYWAY (MM)	BORE SIZE (MM)	WxD KEYWAY (MM)
0126-0100	RH	12	4 x 2	12	4 x 2
0127-0100	LH	12	4 x 2	12	4 x 2
0128-0100	RH	12	4 x 2	15	5 x 2.5
0129-0100	LH	12	4 x 2	15	5 x 2.5
0130-0100	RH	15	5 x 2.5	15	5 x 2.5
0131-0100	LH	15	5 x 2.5	15	5 x 2.5

NOTE: METRIC SIZES AVAILABLE ONLY IN HIGH TORQUE ROLLER BEARING MODELS.