



Models 71 and 72

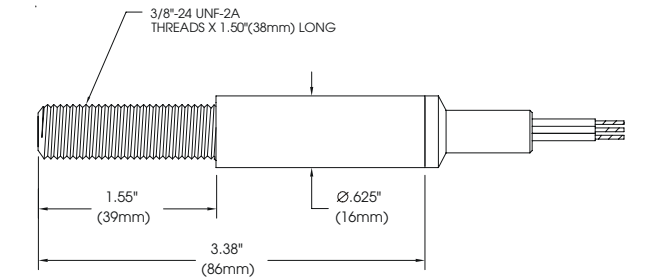
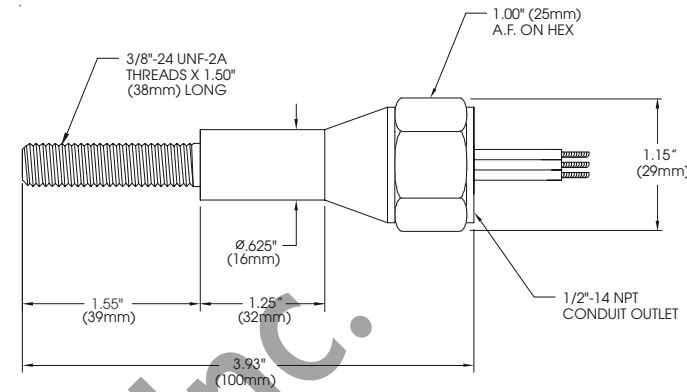
GO Switch Models 71 and 72 have the smallest diameters of any round leverless limit switch, and are used extensively in factory automation applications.

Features:

- SPDT 4A contacts
- Intrinsically Safe
- 40° to 221°F operating temperature

Options:

- Suitable for Zone 0, 1, or 2 explosion proof
- 40° to 400°F high temperature
- Quick disconnect connector
- English or Metric threads



Model 71

Model 72

Model	Contact Form	Sensing Range	Outlet Position	Enclosure Material	Approvals	Wiring Options																																																				
<p>Repeatability: .002" (.05 mm) typical</p> <p>Response Time: 8 milliseconds</p> <p>Differential: Approx. .020" (.51 mm)</p> <p>Operating Temperature: -40° to 221°F (-40° to 105°C). HiTemp option to 400°F (204°C)</p> <p><input checked="" type="checkbox"/> 71 Model 71 3/8" (10 mm) dia. x 3 15/16" (100 mm) long, with 3/8"-24 UNF x 1 1/2" (38 mm) threads and 1/2" NPT conduit hub</p> <p>71M Model 71 M12 x 1 external metric thread</p> <p><input checked="" type="checkbox"/> 72 Model 72 3/8" (10 mm) dia. x 3 3/8" (86 mm) long, with 3/8"-24 UNF x 1 1/2" (38 mm) threads. No conduit hub</p> <p>72M Model 72 M12 x 1 external metric thread</p>	<p>Contact Material: Palladium silver with sawtooth surface configuration</p> <p>Form: SPDT, Form C</p> <p>Rateds: Resistive</p> <table border="1"> <thead> <tr> <th colspan="2">AC</th> <th colspan="2">DC</th> </tr> <tr> <th>Volts</th> <th>Amps</th> <th>Volts</th> <th>Amps</th> </tr> </thead> <tbody> <tr> <td>120</td> <td>4</td> <td>24</td> <td>3</td> </tr> <tr> <td>240</td> <td>2</td> <td>48</td> <td>1.25</td> </tr> <tr> <td>480</td> <td>*</td> <td>125</td> <td>0.5</td> </tr> <tr> <td></td> <td></td> <td>250</td> <td>0.5</td> </tr> </tbody> </table> <p><input checked="" type="checkbox"/> 1 Single Pole Double Throw (Form C)</p> <p>Form C - SPDT</p>	AC		DC		Volts	Amps	Volts	Amps	120	4	24	3	240	2	48	1.25	480	*	125	0.5			250	0.5	<p>Target Material: Ferrous steel</p> <p>Sensing Range: Approx. .040" (1 mm) end sensing</p> <p>Sensing Range with Target Magnet: up to .15" (4 mm)</p> <p><input checked="" type="checkbox"/> 6 Standard sensing - approx. .040" (1 mm) end sensing</p> <p>Extended Sensing Range with External Target Magnets (See Accessories for External Target Magnets)</p> <table border="1"> <thead> <tr> <th>Magnet</th> <th>Sensing</th> <th>Differential</th> </tr> </thead> <tbody> <tr> <td>AMP3</td> <td>.12"</td> <td>.07"</td> </tr> <tr> <td>AMS4</td> <td>.15"</td> <td>.10"</td> </tr> <tr> <td>AMS7</td> <td>.13"</td> <td>.045"</td> </tr> </tbody> </table>	Magnet	Sensing	Differential	AMP3	.12"	.07"	AMS4	.15"	.10"	AMS7	.13"	.045"	<p>Conduit Outlet: 1/2" NPT</p> <p><input checked="" type="checkbox"/> 2 Side entry (Model 72) (Approval must be 8) (Wiring must be F)</p> <p><input checked="" type="checkbox"/> 5 Bottom of enclosure</p> <div style="border: 1px solid gray; padding: 5px; width: fit-content;"> <p>Need Accessories?</p> <p>See pp. 93-104 for:</p> <ul style="list-style-type: none"> Range Extending Target Magnets Mounting Brackets Connectors and more! </div>	<p><input checked="" type="checkbox"/> 2 303 stainless steel (rated 2,000 PSI)</p> <p>6 316 stainless steel (rated 2,000 PSI)</p>	<p></p> <p>2 High temperature to 400°F (204°C) with Teflon™ insulated leads (Wiring must be F)</p> <p>3 UL listed explosion proof for CI I, Div 1 & 2; Grps A,B,C,D; CI II, Div 1 & 2, Grps E-G; CI III (Model 71) (Wiring must be A, B, or F) (Lead seal req'd within 18")</p> <p>4 CSA certified explosion proof for CI I, Div 1; Grps A,B,C,D; CI II, Div 1; Grps E-G; CI III (Model 71) (Lead seal req'd within 18")</p> <p>6 CSA certified CI I, Div 2; Grps A,B,C,D; CI II, Div 2; Grps E-G; CI III (Model 71) (Wiring must be A, B, or F) (Lead seal req'd within 18")</p> <p>7 CSA certified General Purpose</p> <p><input checked="" type="checkbox"/> 8 UL listed General Purpose</p> <p>A SAA: Ex s IIC T6 IP65; CI I Zone 1 & 2; EX S IIC T6 IP65; CI I Zone 0; DIP CI II (Intrinsically safe with entity approved barrier. Install per NEC Article 501.) (Wiring must be A) (Model 71)</p> <p>B SAA: High Temp EX S IIC T6 IP65; CI I Zone 1 & 2; EX S IIC T6 IP65; CI I Zone 0; DIP CI II (Intrinsically safe with entity approved barrier. Install per NEC Article 501.) (Wiring must be F) (Model 71)</p>	<p>Lead Wires 18 Gauge (.110" dia) potted-in PVC insulated AWM / TEW stranded lead wires, rated at 221°F (105°C) 600V UL / CSA listed</p> <p><input checked="" type="checkbox"/> A2 36" (914 mm)</p> <p>A3 72" (1829 mm)</p> <p>A4 144" (3658 mm)</p> <p>A_ _ _ Lengths greater than 144" (Specify length in feet (e.g. A150 = 150 ft. of leads))</p> <p>Cable 18 Gauge (.250" dia.) potted-in PVC cable, rated at 176°F (80°C) 300V, UL / CSA listed</p> <p>B2 36" (914 mm)</p> <p>B3 72" (1829 mm)</p> <p>B4 144" (3658 mm)</p> <p>B_ _ _ Lengths greater than 144" (Specify length in feet (e.g. B150 = 150 ft. of cable))</p> <p>Water Resistant 18 Gauge (.250" dia) PVC cable rated at 176°F (80°C) 300V with water-resistant squeeze connector. (Model 72) UL/CSA listed</p> <p>C2 36" (914 mm)</p> <p>C3 72" (1829 mm)</p> <p>C4 144" (3658 mm)</p> <p>C_ _ _ Lengths greater than 144" (Specify length in feet (e.g. C150 = 150 ft. of cable))</p> <p>Quick Disconnect Male Quick Disconnect only, potted-in connector. (CSA requires a case ground) (Approval must be 7 or 8) Refer to pp. 93-104 for mating cable assemblies and Aura Light Adapters.</p> <table border="1"> <thead> <tr> <th colspan="2">Mini-change®</th> <th colspan="2">Micro-change®</th> </tr> </thead> <tbody> <tr> <td>DCA</td> <td>3 pin Mini-change® type</td> <td>DBA</td> <td>3 pin Micro-change® type</td> </tr> <tr> <td>DCD</td> <td>4 pin Mini-change® type</td> <td>DBD</td> <td>4 pin Micro-change® type</td> </tr> <tr> <td>DCG</td> <td>5 pin Mini-change® type</td> <td>DBG</td> <td>5 pin Micro-change® type</td> </tr> </tbody> </table> <p>HiTemp Leads 18 gauge (.070" dia. potted-in Teflon™ insulated leads rated at 482°F (250°C) 600V UL / CSA listed (Approval must be 2, 3, 4, 6, 7, 8, or B)</p> <p>F2 36" (914 mm)</p> <p>F3 72" (1829 mm)</p> <p>F4 144" (3658 mm)</p> <p>F_ _ _ Lengths greater than 144" (Specify length in feet (e.g. F150 = 150 ft. of leads))</p>	Mini-change®		Micro-change®		DCA	3 pin Mini-change® type	DBA	3 pin Micro-change® type	DCD	4 pin Mini-change® type	DBD	4 pin Micro-change® type	DCG	5 pin Mini-change® type	DBG	5 pin Micro-change® type
AC		DC																																																								
Volts	Amps	Volts	Amps																																																							
120	4	24	3																																																							
240	2	48	1.25																																																							
480	*	125	0.5																																																							
		250	0.5																																																							
Magnet	Sensing	Differential																																																								
AMP3	.12"	.07"																																																								
AMS4	.15"	.10"																																																								
AMS7	.13"	.045"																																																								
Mini-change®		Micro-change®																																																								
DCA	3 pin Mini-change® type	DBA	3 pin Micro-change® type																																																							
DCD	4 pin Mini-change® type	DBD	4 pin Micro-change® type																																																							
DCG	5 pin Mini-change® type	DBG	5 pin Micro-change® type																																																							
<p>Model</p> <p>71</p>	<p>Contact Form</p> <p>1</p>	<p>Sensing Range</p> <p>6</p>	<p>Outlet Position</p>	<p>Enclosure Material</p>	<p>Approvals</p>	<p>Wiring Options</p>																																																				

Ordering Guide

Fill in the boxes to create your 'ordering number.'