



Models 73 and 74

The GO Switch Model 73 is our most popular leverless limit switch. Its solid stainless steel construction and global certifications make it the ideal choice for a variety of applications. Model 74 is the same, less the conduit hub.

Features:

- SPDT 4A contacts
- Intrinsically Safe
- 40° to 221°F operating temperature

Options:

- Suitable for Zone 0, 1, or 2 explosion proof
- 40° to 400°F high temperature
- Quick disconnect connector
- Underwater capabilities
- English or Metric threads

**FAST TRACK DELIVERY**

**73-13523-A2**  
Class I Div 1, 3 ft. leads

**73-13524-A2**  
Class I Div 1, 3 ft. leads

**73-13526-A2**  
Class I Div 2, 3 ft. leads

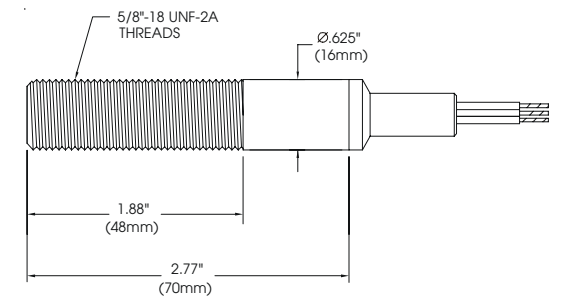
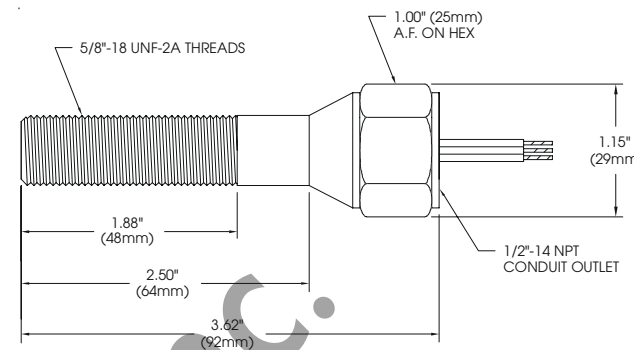
**73-13528-A2**  
General Purpose 3 ft. leads

**73-13528-DCA**  
General Purpose, Mini Connector

**74-13528-B2**  
General Purpose, 3 ft. cable

**74-13528-DBA**  
General Purpose, Micro Connector

Dimensions



Model 73

Model 74

Model	Contact Form	Sensing Range	Outlet Position	Enclosure Material	Approvals	Wiring Options																																				
<p><b>Repeatability:</b> .002" (.05mm) typical</p> <p><b>Response Time:</b> 8 milliseconds</p> <p><b>Differential:</b> Approx. .020" (.51 mm)</p> <p><b>Operating Temperature:</b> -40° to 221°F (-40° to 105°C). HiTemp to 400°F (204°C)</p> <p><b>73</b> Model 73 5/8" (16 mm) dia. x 3 5/8" (92 mm) long with 5/8"-18 UNF x 1 7/8" (48 mm) threads and 1/2" NPT conduit hub</p> <p><b>73M</b> Model 73 M18 x 1 external metric thread</p> <p><b>74</b> Model 74 5/8" (16 mm) dia. x 2 3/4" (70 mm) long with 5/8"-18 UNF x 1 7/8" (48 mm) threads. No conduit hub</p> <p><b>74M</b> Model 74 M18 x 1 external metric thread</p>	<p><b>Contact Material:</b> Palladium silver with sawtooth surface configuration</p> <p><b>Form:</b> SPDT, Form C</p> <p><b>Ratings:</b> Resistive</p> <table border="1"> <thead> <tr> <th colspan="2">AC</th> <th colspan="2">DC</th> </tr> <tr> <th>Volts</th> <th>Amps</th> <th>Volts</th> <th>Amps</th> </tr> </thead> <tbody> <tr> <td>120</td> <td>4</td> <td>24</td> <td>3</td> </tr> <tr> <td>240</td> <td>2</td> <td>48</td> <td>1.25</td> </tr> <tr> <td>480</td> <td>*</td> <td>125</td> <td>0.5</td> </tr> <tr> <td></td> <td></td> <td>250</td> <td>0.5</td> </tr> </tbody> </table> <p><b>1</b> Single Pole Double Throw (Form C)</p> <p>Form C - SPDT</p>	AC		DC		Volts	Amps	Volts	Amps	120	4	24	3	240	2	48	1.25	480	*	125	0.5			250	0.5	<p><b>Target Material:</b> Ferrous steel</p> <p><b>Sensing Range:</b> Approx. .100" (2.5 mm) end sensing (2,000 PSI) .072" (1.8 mm) end sensing (5,000 PSI) .060" (1.5 mm) end sensing (10,000 PSI)</p> <p><b>Sensing Range with Target Magnet:</b> up to .35" (9 mm)</p> <p><b>3</b> Standard sensing - approx. .100" (3 mm) end sensing (Enclosure must be 2 or 6)</p> <p><b>4</b> HiPressure sensing - approx. .072" (2 mm) end sensing (Enclosure must be 3 and Approvals must be 2, 7, 8, or 9)</p> <p><b>5</b> HiPressure sensing - approx. .060" (1.5 mm) end sensing (Enclosure must be 4 and Approvals must be 2, 7, or 8)</p> <p><b>Extended Sensing Range with External Target Magnets (See Accessories for External Target Magnets)</b></p> <table border="1"> <thead> <tr> <th>Magnet</th> <th>Sensing</th> <th>Differential</th> </tr> </thead> <tbody> <tr> <td>AMP3</td> <td>.20"</td> <td>.25"</td> </tr> <tr> <td>AMS4</td> <td>.35"</td> <td>.15"</td> </tr> <tr> <td>AMS7</td> <td>.20"</td> <td>.05"</td> </tr> </tbody> </table>	Magnet	Sensing	Differential	AMP3	.20"	.25"	AMS4	.35"	.15"	AMS7	.20"	.05"	<p><b>Conduit Outlet:</b> 1/2" NPT</p> <p><b>2</b> Side entry with Teflon insulated leads (Model 74) (Approval must be 2 or 8) (Wiring must be F)</p> <p><b>5</b> Bottom of enclosure</p> <p><b>Need Accessories?</b> See pp. 93-104 for: Range Extending Target Magnets Mounting Brackets Connectors and more!</p>	<p><b>2</b> 303 stainless steel (rated 2,000 PSI) (Sensing must be 3)</p> <p><b>3</b> HiPressure - 303 stainless steel (rated 5,000 PSI) (Sensing must be 4) (Approval must be 2, 7, 8, or 9)</p> <p><b>4</b> HiPressure - 303 stainless steel (rated 10,000 PSI) (Sensing must be 5) (Approval must be 2, 7, 8, or 9)</p> <p><b>6</b> 316 stainless steel (rated 2,000 PSI)</p>	<p><b>UL</b> <b>SP</b> <b>BASEEFA</b> <b>SAA</b></p> <p><b>2</b> High temperature to 400°F (204°C) with Teflon™ insulated leads (Wiring must be F)</p> <p><b>3</b> UL listed explosion proof for CI I, Div 1 &amp; 2; Grps A,B,C,D; CI II, Div 1 &amp; 2, Grps E-G; CI III (Model 73) (Wiring must be A, B, or F) (Lead seal req'd within 18")</p> <p><b>4</b> CSA certified explosion proof for CI I Div 1 &amp; 2; Grps A,B,C,D; CI II, Div 1; Grps E-G; CI III (Model 73) (Lead seal req'd within 18")</p> <p><b>6</b> CSA certified CI I, Div 2; Grps A,B,C,D; CI II, Div 2; Grps E-G; CI III (Model 73) (Wiring must be A, B, or F) (Lead seal req'd within 18")</p> <p><b>7</b> CSA certified General Purpose</p> <p><b>8</b> UL listed General Purpose</p> <p><b>9</b> CENELEC: EExdIIC T6 Zone 1. (EN 50 014 &amp; EN 50 018, BASEEFA Certificate Ex89C1233X) (Model 73) (Wiring must be A or B)</p> <p><b>A</b> SAA: Ex s IIC T6 IP65; CI I Zone 1 &amp; 2; EX S IIC T6 IP65; CI I Zone 0; DIP CI II (Intrinsically safe with entity approved barrier. Install per NEC Article 501.) (Wiring must be A)</p> <p><b>B</b> SAA: High Temp 350°F (176°C): EX S IIC T6 IP65; CI I Zone 1 &amp; 2; EX S IIC T6 IP65; CI I Zone 0; DIP CI II (Intrinsically safe with entity approved barrier. Install per NEC Article 501.) (Wiring must be F)</p>	<p><b>Lead Wires</b> 18 Gauge (.110" dia) potted-in PVC insulated AWM / TEW stranded lead wires, rated at 221°F (105°C) 600V UL / CSA listed</p> <p><b>A2</b> 36" (914 mm)</p> <p><b>A3</b> 72" (1829 mm)</p> <p><b>A4</b> 144" (3658 mm)</p> <p><b>A</b> ___ Lengths greater than 144" (Specify length in feet (e.g. A150 = 150 ft. of leads))</p> <p><b>Cable</b> 18 Gauge (.250" dia.) potted-in PVC cable, rated at 176°F (80°C) 300V, UL / CSA listed</p> <p><b>B2</b> 36" (914 mm)</p> <p><b>B3</b> 72" (1829 mm)</p> <p><b>B4</b> 144" (3658 mm)</p> <p><b>B</b> ___ Lengths greater than 144" (Specify length in feet (e.g. B150 = 150 ft. of cable))</p> <p><b>Water Resistant</b> 18 Gauge (3 cond. .250" dia; 4 cond. .450" dia) PVC cable rated at 176°F (80°C) 300V with water-resistant squeeze connector. (Model 74)</p> <p><b>C2</b> 36" (914 mm)</p> <p><b>C3</b> 72" (1829 mm)</p> <p><b>C4</b> 144" (3658 mm)</p> <p><b>C</b> ___ Lengths greater than 144" (Specify length in feet (e.g. C150 = 150 ft. of cable))</p> <p><b>Quick Disconnect</b> Male Quick Disconnect only, potted-in connector. (CSA requires a case ground) (Approvals must be 7 or 8) Refer to pp. 93-104 for mating cable assemblies and Aura Light Adapters.</p> <p><b>Mini-change®</b></p> <p><b>DCA</b> 3 - pin Mini-change® type</p> <p><b>DCD</b> 4 - pin Mini-change® type</p> <p><b>DCG</b> 5 - pin Mini-change® type</p> <p><b>Micro-change®</b></p> <p><b>DBA</b> 3 - pin Micro-change® type</p> <p><b>DBD</b> 4 - pin Micro-change® type</p> <p><b>DBG</b> 5 - pin Micro-change® type</p> <p><b>SubSea Underwater Connector (Model 73)</b></p> <p><b>3DD</b> 3 pin, certified not to leak underwater</p> <p><b>4DD</b> 4 pin, certified not to leak underwater</p> <p><b>3DE</b> 3 pin right-angle, certified not to leak underwater</p> <p><b>4DE</b> 4 pin right-angle, certified not to leak underwater</p> <p><b>HiTemp Leads</b> 18 gauge (.070" dia. potted-in Teflon™ insulated leads rated at 482°F (250°C) 600V UL / CSA listed (Approval must be 2, 3, 4, 6, 7, 8 or B)</p> <p><b>F2</b> 36" (914 mm)</p> <p><b>F3</b> 72" (1829 mm)</p> <p><b>F4</b> 144" (3658 mm)</p> <p><b>F</b> ___ Lengths greater than 144" (Specify length in feet (e.g. F150 = 150 ft. of leads))</p>
AC		DC																																								
Volts	Amps	Volts	Amps																																							
120	4	24	3																																							
240	2	48	1.25																																							
480	*	125	0.5																																							
		250	0.5																																							
Magnet	Sensing	Differential																																								
AMP3	.20"	.25"																																								
AMS4	.35"	.15"																																								
AMS7	.20"	.05"																																								
Model	Contact Form	Sensing Range	Outlet Position	Enclosure Material	Approvals	Wiring Options																																				
42	1																																									

**Ordering Guide**  
Fill in the boxes to create your 'ordering number.'