

## H220 SERIES - ALUMINUM

### AVAILABLE STYLES

#### Double Acting

FIXED MOUNT - FIXED DISC



PICTURED: 0735-0301

#### Single Acting

FIXED MOUNT - FLOATING DISC



PICTURED: 0733-0201

#### Single Acting with Floating Bracket

FLOATING MOUNT - FIXED DISC



PICTURED:  
0733-0222

### H220 SPECIFICATIONS

Maximum Pressure Rating:	1,500 PSI
Accommodates Tolomatic disc diameters:	6-5/16", 8", 10", 12", 16"
Maximum disc diameter:	16"
Housing Material:	Die cast aluminum
Bolts:	Zinc plated grade 8
Seals:	Buna-N Standard
Wearable friction material:	1.66 cu. in.
Wearable friction material/retractable models:	0.95 cu. in.
Friction material:	Replaceable, high-grade
Total lining area:	8.00 sq. in.
Piston diameter:	1.625 in.
Fluid displacement, non-retractable:	Single acting = 0.124 cu. in. Double acting = 0.124 cu. in.

#### OPTIONS

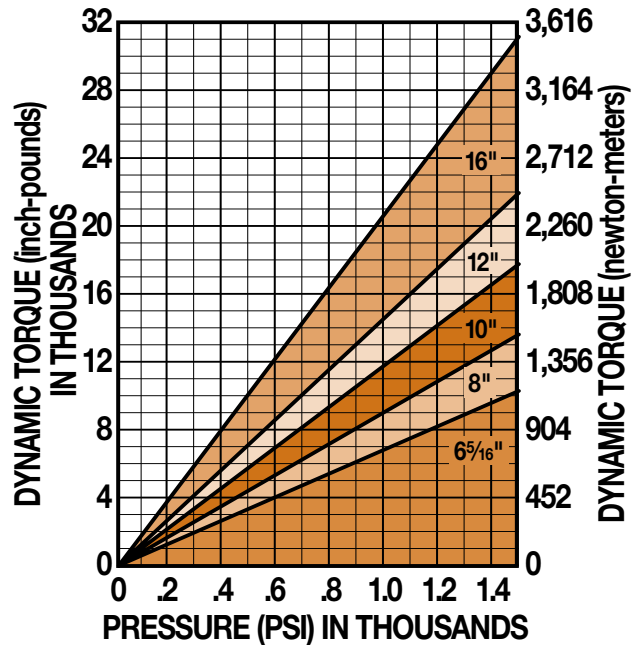
Seals:	EPR seals
Pistons:	Retractable piston(s)
Floating bracket:	Available

### DISC SIZING EQUATIONS

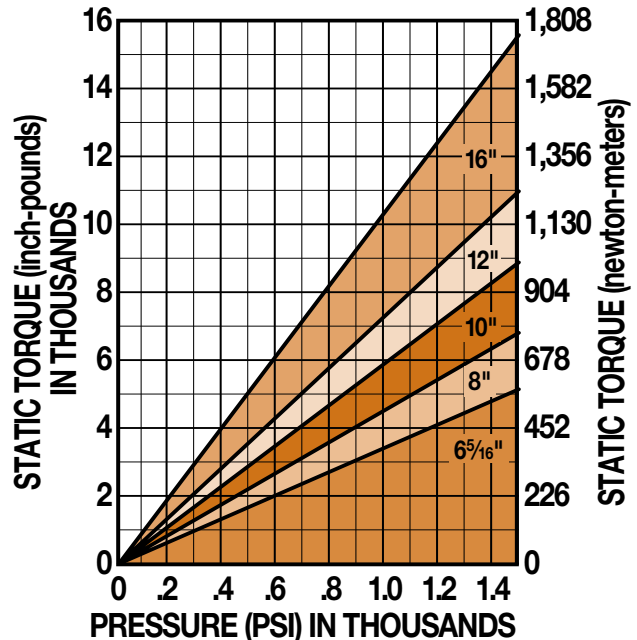
**DYNAMIC TORQUE (IN.-LBS.) = 2.88 x BRAKING RADIUS (IN.) x PRESSURE (PSI)**  
**STATIC (PARKING) TORQUE (IN.-LBS.) = 1.44 x BRAKING RADIUS (IN.) x PRESSURE (PSI)**

### PERFORMANCE DATA

#### Dynamic Torque vs Pressure



#### Static Torque vs Pressure



### BRAKE MODEL LETTER CODES

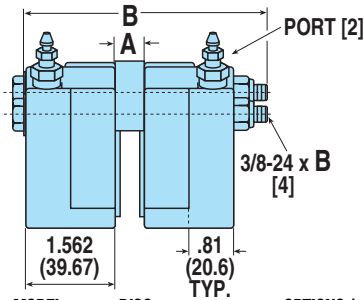
<b>A</b> 5/32" Thick Disc	<b>E</b> 1/2" Thick Disc	<b>R</b> Retractable Piston(s)
<b>B</b> 1/4" Thick Disc	<b>F</b> Floating Bracket Mount	<b>S</b> Single Acting
<b>C</b> With Bleeder Fitting	<b>G</b> EPR Seals	
<b>D</b> Double Acting	<b>H</b> Hydraulic Brake	

## H220 SERIES - ALUMINUM

### DOUBLE ACTING FIXED MOUNT - FIXED DISC

Accommodates disc thickness: 5/32" 1/4" 1/2"

Weight 4.0 lbs. 1.82 kgs.

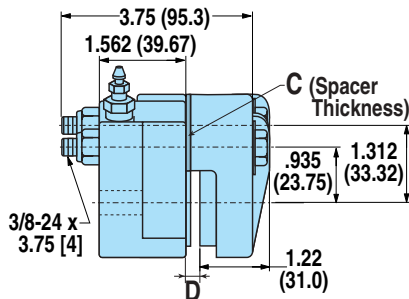


MODEL CODE	DISC THK.	A	B	OPTIONS / DESCRIPTION	ASSEMBLY NUMBER
H220DAC	5/32"	0.28"	4.50"	Double Acting	0735-0101
H220DACG	5/32"	0.28"	4.50"	Double Acting, EPR Seals	0735-0103
H220DARC	5/32"	0.28"	4.50"	Dbl Act, Retractable Pistons	0736-0111
H220DARCG	5/32"	0.28"	4.50"	Dbl Act, Retractable Pistons, EPR Seals	0736-0112
H220DBC	1/4"	0.38"	4.50"	Double Acting	0735-0201
H220DBC G	1/4"	0.38"	4.50"	Double Acting, EPR Seals	0735-0202
H220DBRC	1/4"	0.38"	4.50"	Dbl Act, Retractable Pistons	0736-0211
H220DBRC G	1/4"	0.38"	4.50"	Dbl Act, Retractable Pistons, EPR Seals	0736-0212
H220DEC	1/2"	0.62"	5.00"	Double Acting	0735-0301
H220DEC G	1/2"	0.62"	5.00"	Double Acting, EPR Seals	0735-0302
H220DERC	1/2"	0.62"	5.00"	Dbl Act, Retractable Pistons	0736-0311
H220DERC G	1/2"	0.62"	5.00"	Dbl Act, Retractable Pistons, EPR Seals	0736-0312

### SINGLE ACTING FIXED MOUNT - FLOATING DISC

Accommodates disc thickness: 5/32" 1/4" 1/2"

Weight 3.0 lbs. 1.36 kgs.

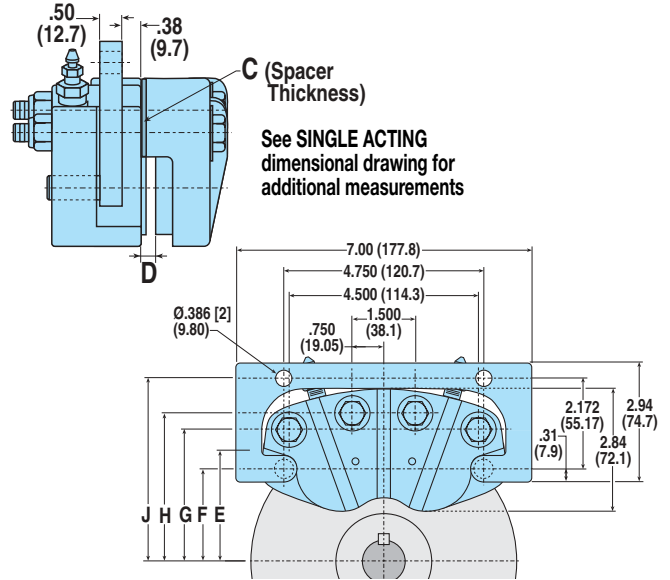


MODEL CODE	DISC THK.	C	D	OPTIONS / DESCRIPTION	ASSEMBLY NUMBER
H220SAC	5/32"	-	0.25"	Single Acting	0733-0001
H220SAC G	5/32"	-	0.25"	Single Acting, EPR Seals	0733-0006
H220SBC	1/4"	0.094"	0.34"	Single Acting	0733-0101
H220SBC G	1/4"	0.094"	0.34"	Single Acting, EPR Seals	0733-0102
H220SEC	1/2"	0.344"	0.59"	Single Acting	0733-0201
H220SEC G	1/2"	0.344"	0.59"	Single Acting, EPR Seals	0733-0202

### SINGLE ACTING WITH FLOATING BRACKET FLOATING MOUNT - FIXED DISC

Accommodates disc thickness: 5/32" 1/4" 1/2"

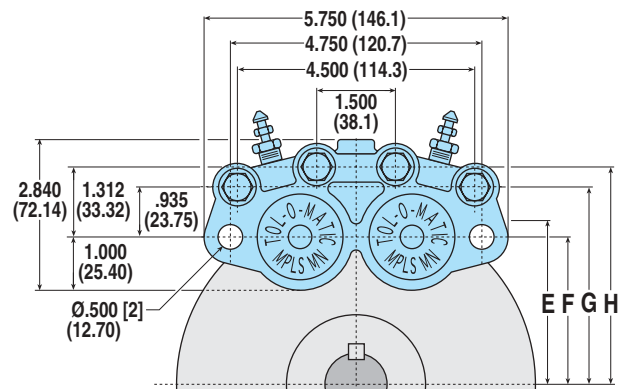
Weight 4.5 lbs. 2.04 kgs.



MODEL CODE	DISC THK.	C	D	OPTIONS / DESCRIPTION	ASSEMBLY NUMBER
H220SAFC	5/32"	-	0.25"	Single Acting, Floating Bracket	0733-0021
H220SAFC G	5/32"	-	0.25"	Sgl Act, Floating Bracket, EPR Seals	0733-0022
H220SBFC	1/4"	0.094"	0.34"	Sgl Act, Floating Bracket	0733-0121
H220SBFC G	1/4"	0.094"	0.34"	Sgl Act, Floating Bracket, EPR Seals	0733-0122
H220SEFC	1/2"	0.344"	0.59"	Sgl Act, Floating Bracket	0733-0221
H220SEFC G	1/2"	0.344"	0.59"	Sgl Act, Floating Bracket, EPR Seals	0733-0222

### MOUNTING DIMENSIONS

Disc Diameter		6.313"	8"	10"	12"	16"
Braking Radius	E	2.38"	3.15"	4.11"	5.08"	7.21"
	F	2.13"	3.00"	4.00"	5.00"	7.09"
	G	3.07"	3.94"	4.94"	5.94"	8.03"
	H	3.45"	4.32"	5.32"	6.32"	8.41"
	J	4.30"	5.17"	6.17"	7.17"	9.26"



CALIPER  
DISC  
BRAKES

FEATURES

APPLICATIONS

SELECTION  
GRAPHS

PNEUMATIC  
BRAKES

P10

P20

P220

HYDRAULIC  
BRAKES

H10

H20

H220

H220I

H441

H960

HYDRAULIC/  
MECHANICAL  
BRAKE  
COMBOS

H/ME20

H/ME220

MECHANICAL  
BRAKES

ME10

ME20

ME220

MB3

SPRING  
APPLIED  
BRAKES

FS20

FS220

FS220I

FS595

DISCS  
HUBS &  
BUSHINGS

TENSION  
CONTROL  
COMBINATIONS

INTENSIFIER

SELECTION

WORKSHEET