



Model 35

The GO Switch Model 35 leverless limit switch has set the standard for reliable performance in valve position monitors.

With its hermetically sealed contacts, excellent repeatability, and superior resistance to vibration, moisture, contaminants, abuse, and temperature extremes, the GO Switch 35 clearly out performs any other sensor on the planet.

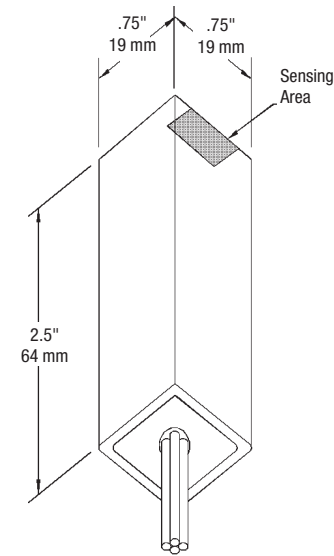
When ordering valve position monitors and switchboxes, be sure to specify "GO Switch inside."



FAST TRACK DELIVERY

35-13319-A2
Hermetic Seal

Dimensions



Model 35

Model	Contact Form	Sensing Range	Outlet Position	Enclosure Material	Approvals	Wiring Options																																							
<p>Repeatability: .002" (.05 mm)</p> <p>Response Time: 8 milliseconds</p> <p>Differential: Approx. 5/32" (4 mm)</p> <p>Operating Temperature: -40° to 221°F (-40° to 105°C)</p> <p>✓ 35 Size: 3/4" (19 mm) square x 2 1/2" (64 mm) overall</p>	<p>Contact Material: Silver cadmium oxide, gold flashed</p> <p>Forms: SPDT, Form C</p> <p>Ratings: Resistive</p> <table border="1"> <thead> <tr> <th colspan="2">AC</th> <th colspan="2">DC</th> </tr> <tr> <th>Volts</th> <th>Amps</th> <th>Volts</th> <th>Amps</th> </tr> </thead> <tbody> <tr> <td>120</td> <td>4</td> <td>24</td> <td>3</td> </tr> <tr> <td>240</td> <td>2</td> <td>48</td> <td>1</td> </tr> <tr> <td>480</td> <td>*</td> <td>125</td> <td>0.5</td> </tr> <tr> <td></td> <td></td> <td>250</td> <td>*</td> </tr> </tbody> </table> <p>Model 35</p> <p>✓ 1 Single Pole Double Throw (Form C)</p> <p>Form C - SPDT</p>	AC		DC		Volts	Amps	Volts	Amps	120	4	24	3	240	2	48	1	480	*	125	0.5			250	*	<p>Target Material: Ferrous steel</p> <p>Sensing Range: Approx. 1/10" (2.5 mm)</p> <p>Sensing Range with Target Magnet: up to 3 5/8" (92mm) (max)</p> <p>✓ 3 Approx. 1/10" (2.5 mm) end sensing</p> <p>Extended Sensing Range with External Target Magnets (See Accessories for External Target Magnets)</p> <table border="1"> <thead> <tr> <th>Magnet</th> <th>Sensing</th> <th>Differential</th> </tr> </thead> <tbody> <tr> <td>AMP3</td> <td>1-5/32"</td> <td>15/16"</td> </tr> <tr> <td>AMS4</td> <td>1-1/2"</td> <td>1-3/4"</td> </tr> <tr> <td>AMC5</td> <td>3-5/8"</td> <td>1-3/4"</td> </tr> <tr> <td>AMF6</td> <td>2-9/16"</td> <td>2-5/8"</td> </tr> </tbody> </table>	Magnet	Sensing	Differential	AMP3	1-5/32"	15/16"	AMS4	1-1/2"	1-3/4"	AMC5	3-5/8"	1-3/4"	AMF6	2-9/16"	2-5/8"	<p>✓ 3 No conduit hub</p>	<p>✓ 1 Copper - coated with flat black lacquer</p>	<p>UL </p> <p>✓ 7 CSA certified General Purpose</p> <p>9 Hermetic seal; UL listed General Purpose</p>	<p>Lead Wires 18 Gauge (.110" dia.) potted-in PVC insulated AWM / TEW stranded lead wires rated at 221°F (105°C) 600V UL / CSA listed</p> <p>✓ A2 36" (914 mm)</p> <p>A3 72" (1829 mm)</p> <p>A4 144" (3658 mm)</p> <p>A_ _ _ Lengths greater than 144" (Specify length in 5' increments (e.g. A150 = 150 ft. of leads))</p> <p>Cable 18 Gauge (.250" dia.) potted-in PVC insulated cable rated at 176°F (80°C) 300V UL / CSA listed</p> <p>B2 36" (914 mm)</p> <p>B3 72" (1829 mm)</p> <p>B4 144" (3658 mm)</p> <p>B_ _ _ Lengths greater than 144" (Specify length in 5' increments (e.g. B150 = 150 ft. of cable))</p>
AC		DC																																											
Volts	Amps	Volts	Amps																																										
120	4	24	3																																										
240	2	48	1																																										
480	*	125	0.5																																										
		250	*																																										
Magnet	Sensing	Differential																																											
AMP3	1-5/32"	15/16"																																											
AMS4	1-1/2"	1-3/4"																																											
AMC5	3-5/8"	1-3/4"																																											
AMF6	2-9/16"	2-5/8"																																											
Model 35	Contact Form 1	Sensing Range 3	Outlet Position 3	Enclosure Material 1	Approvals	Wiring Options																																							

Ordering Guide

Fill in the boxes to create your 'ordering number.'

Need Accessories?

See pp. 92-103 for:

- Range Extending Target Magnets
- Mounting Brackets
- Connectors and more!

Agency Approvals

Approvals	(4) CSA/FM Class 1 Div 1	(6) CSA/FM Class 1 Div 2	(7) CSA General Purpose	(8) UL General Purpose	(9) UL Hermetic Seal Model 35
Termination Options					
A - Potted PVC Leads			X	X	X
B - Potted PVC Cable			X	X	X
D - Quick Disconnect			X	X	
F - Potted HiTemp™ Leads	X	X		X	

X = Approvals Available

NEMA Ratings

NEMA CLASSES	Non-Hazardous				Hazardous	
	4	4X	6	6P	7	9
A - Potted PVC Leads	X	X				
B - Potted PVC Cable	X	X				
D - Quick Disconnect	X	X	X	X		
F - Potted HiTemp™ Leads	X	X	X	X	X	X
35 Series Hermetic seal w/ potting	X	X	X	X		

X = Designed to meet respective NEMA specifications

Wiring Diagrams (male view)

PVC & Teflon Leads - UL	
N/C	Red
N/O	Blue
COM	Black

Termination A & F

PVC & Teflon Leads - CSA	
N/C	Red
N/O	Blue
COM	Black
GND	Green

Termination A & F

PVC Cable - UL	
N/C	Red
N/O	White
COM	Black

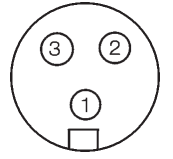
Termination B

PVC Cable - CSA	
N/C	Red
N/O	White
COM	Black
GND	Green

Termination B

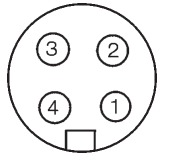
Mini-Change QDC - 3 Pin	
Pin 1	COM
Pin 2	N/C
Pin 3	N/O

Termination DCA



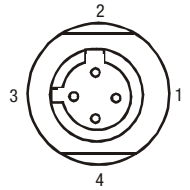
Mini-Change QDC - 4 Pin	
Pin 1	COM
Pin 2	N/O
Pin 3	N/C
Pin 4	GND

Termination DCD



Micro-Change QDC - 4 Pin	
Pin 1	COM
Pin 2	N/O
Pin 3	N/C
Pin 4	GND

Termination DBD



Micro-Change QDC - 3 Pin	
Pin 1	COM
Pin 2	N/C
Pin 3	N/O

Termination DBA

