



Models 7G & 7H

GO Switch Models 7G & 7H offer unique options such as hermetically sealed and Double Pole Double Throw contact arrangements in a variety of enclosures.

Features:

- SPDT or DPDT 4A contacts
- Intrinsically Safe
- 40° to 221°F operating temperature

Options:

- Suitable for Zone 0, 1, or 2 explosion proof
- DPDT 4A contacts
- 40° to 400°F high temperature
- Hermetically sealed contacts

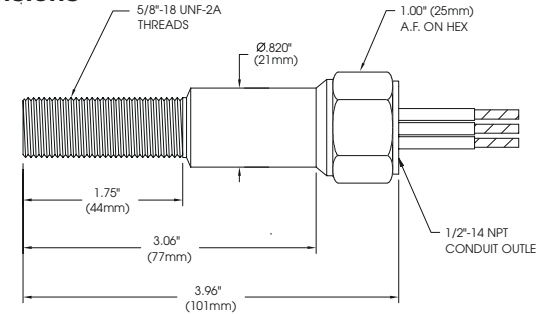
FAST TRACK DELIVERY

7G-23528-A2
DPDT General Purpose
3 ft. leads

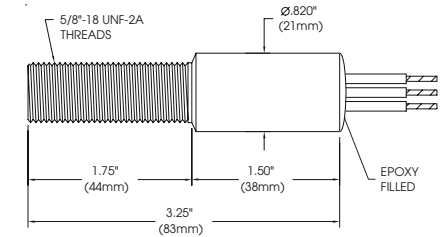
7G-23526-A2
DPDT Class I Div 2
3 ft. leads

7G-23523-A2
DPDT Class I Div 1
3 ft. leads

Dimensions



Model 7G



Model 7H

Model	Contact Form	Sensing Range	Outlet Position	Enclosure Material	Approvals	Wiring Options																																																									
<p>Repeatability: .002" (.05 mm) typical</p> <p>Response Time: 8 milliseconds</p> <p>Differential: Approx. .020" (.51 mm)</p> <p>Operating Temperature: -40° to 221°F (-40° to 105°C) (Option to 400°F)</p> <p>7G Model 7G 5/8" (16 mm) dia. x 4" (101 mm) long with 5/8"-18 UNF x 1 3/4" (44 mm) threads and 1/2" NPT conduit hub</p> <p>7GM Model 7G M18 x 1 external metric thread</p> <p>7H Model 7H 5/8" (16 mm) dia. x 3 1/4" (83 mm) long with 5/8" - 18 UNF x 1 3/4" threads. No conduit outlet.</p> <p>7HM Model 7H M18 x 1 external metric thread</p>	<p>Contact Material: Palladium silver with sawtooth surface configuration</p> <p>Form: SPDT Form C; DPDT Form CC</p> <p>Ratings: Resistive</p> <table border="1"> <tr> <th colspan="2">AC</th> <th colspan="2">DC</th> <th colspan="2">AC</th> <th colspan="2">DC</th> </tr> <tr> <td>Volts</td> <td>Amps</td> <td>Volts</td> <td>Amps</td> <td>Volts</td> <td>Amps</td> <td>Volts</td> <td>Amps</td> </tr> <tr> <td>120</td> <td>4</td> <td>24</td> <td>3</td> <td>120</td> <td>3</td> <td>24</td> <td>1</td> </tr> <tr> <td>240</td> <td>2</td> <td>48</td> <td>*</td> <td>240</td> <td>1.5</td> <td>48</td> <td>*</td> </tr> <tr> <td>480</td> <td>*</td> <td>120</td> <td>0.5</td> <td>480</td> <td>*</td> <td>120</td> <td>0.5</td> </tr> <tr> <td></td> <td></td> <td>250</td> <td>0.5</td> <td></td> <td></td> <td>250</td> <td>0.1</td> </tr> </table> <p>SPDT DPDT</p> <p>1 Single Pole Double Throw (Form C) Hermetically Sealed (Model 7G) (Lead seal not required for hazardous locations)</p> <p>2 Double Pole Double Throw (Form CC)</p> <p>Form C - SPDT Form CC - DPDT</p>	AC		DC		AC		DC		Volts	Amps	Volts	Amps	Volts	Amps	Volts	Amps	120	4	24	3	120	3	24	1	240	2	48	*	240	1.5	48	*	480	*	120	0.5	480	*	120	0.5			250	0.5			250	0.1	<p>Target Material: Ferrous steel</p> <p>Sensing Range: .090" (2.3 mm) end sensing (2,000 PSI)</p> <p>Sensing Range with Target Magnet: up to .20" (5 mm)</p> <p>3 Standard sensing - approx. .090" (2.3 mm) end sensing</p> <p>Extended Sensing Range with External Target Magnets (See Accessories for External Target Magnets)</p> <table border="1"> <tr> <td>Magnet</td> <td>Sensing</td> <td>Differential</td> </tr> <tr> <td>AMP3</td> <td>.15"</td> <td>.30"</td> </tr> <tr> <td>AMS4</td> <td>.20"</td> <td>.30"</td> </tr> </table>	Magnet	Sensing	Differential	AMP3	.15"	.30"	AMS4	.20"	.30"	<p>Conduit Outlet: 1/2" NPT</p> <p>5 Bottom of enclosure</p>	<p>Stainless Steel type 303</p> <p>2 303 stainless steel (rated 2,000 PSI)</p> <p>6 316 stainless steel (rated 2,000 PSI)</p>	<p>UL SF BASEEFA</p> <p>2 High temperature to 400°F (204°C) with Teflon™ insulated leads (Wiring must be F)</p> <p>3 UL listed explosion proof for CI I, Div 1 & 2; Grps A,B,C,D; CI II, Div 1, Grps E-G; CI III (Model 7G) (Wiring must be A, B, or F)(Lead seal req'd within 18" for DPDT)</p> <p>4 CSA certified explosion proof for CI I, Div 1; Grps A,B,C,D; CI II, Div 1; Grps E-G; CI III (Model 7G) (Wiring must be A, B, or F)Lead seal req'd within 18" for DPDT)</p> <p>6 CSA certified CI I, Div 2; Grps A,B,C,D; CI II, Div 2; Grps E-G; CI III (Model 7G) (Wiring must be A, B, or F)(Lead seal req'd within 18" for DPDT)</p> <p>7 CSA certified General Purpose</p> <p>8 UL listed General Purpose</p> <p>9 CENELEC: EExd IIC T6 Zone 1. (Model 7G) (Wiring must be A or B)</p> <p>T ATEX Zone 1 EEx d IIC T6 (-20° to +50°C), II 2G (Model 7G) (Contact form 1 only)</p>	<p>Lead Wires 20 Gauge (.100" dia) potted-in PVC insulated AWM / TEW stranded lead wires, rated at 221°F (105°C) 300V UL / CSA listed</p> <p>A2 36" (914 mm)</p> <p>A3 72" (1829 mm)</p> <p>A4 144" (3658 mm)</p> <p>A_ _ Lengths greater than 144" (Specify length in 5' increments (e.g. A150=150 ft. of leads))</p> <p>Cable 20 Gauge (.215" dia) potted-in PVC cable, rated at 176°F (80°C) 300V, UL / CSA listed</p> <p>B2 36" (914 mm)</p> <p>B3 72" (1829 mm)</p> <p>B4 144" (3658 mm)</p> <p>B_ _ Lengths greater than 144" (Specify length in 5' increments (e.g. B150 = 150 ft. of cable))</p> <p>Quick Disconnect Male Quick Disconnect only, potted-in connector. (CSA requires a case ground)(Approvals must be 7 or 8)(Model 7G)</p> <p>Mini-change® DCH 7-pin mini-change type</p> <p>HiTemp Leads 20 gauge (19 strands at .08") potted-in Teflon™ insulated leads rated at 482°F (250°C) 600V UL / CSA listed (Approval must be 2, 3, 4, 6, 7, or 8)</p> <p>F2 36" (914 mm)</p> <p>F3 72" (1829 mm)</p> <p>F4 144" (3658 mm)</p> <p>F_ _ Lengths greater than 144" (Specify length in 5' increments (e.g. F150 = 150 ft. of leads))</p>
AC		DC		AC		DC																																																									
Volts	Amps	Volts	Amps	Volts	Amps	Volts	Amps																																																								
120	4	24	3	120	3	24	1																																																								
240	2	48	*	240	1.5	48	*																																																								
480	*	120	0.5	480	*	120	0.5																																																								
		250	0.5			250	0.1																																																								
Magnet	Sensing	Differential																																																													
AMP3	.15"	.30"																																																													
AMS4	.20"	.30"																																																													
Model	Contact Form	Sensing Range	Outlet Position	Enclosure Material	Approvals	Wiring Options																																																									
48		3	5			49																																																									

Ordering Guide

Fill in the boxes to create your 'ordering number.'

Agency Approvals

Approvals Terminations	(3) UL Explosion Proof	(4) CSA/FM Cl. 1, Div. 1	(6) CSA/FM Cl. 1, Div. 2	(7) CSA General Purpose	(8) UL General Purpose	(9) Cenelec EExdIIC T6 Zone 1
A - Potted PVC Leads	X	X	X	X	X	X
B - Potted PVC Cable	X	X	X	X	X	X
D - Quick Disconnect				X	X	
F - HiTemp™ Leads			X	X	X	

X = Approvals Available

NEMA Ratings

NEMA CLASSES	NON-HAZARDOUS				HAZARDOUS	
	4	4X	6	6P	7	9
A - Potted PVC leads	X	X	X	X	X	X
B - Potted PVC cable	X	X	X	X	X	X
F - HiTemp™ Leads	X	X	X	X	X	X
7G Hermetic seal	X	X	X	X	X	X

X = Designed to meet respective NEMA specifications

Wiring Diagrams (male view)

SPDT

PVC & Teflon Leads	
N/C	Red
N/O	Blue
COM	Black

Terminations A & F

3 Conductor PVC Cable	
N/C	Red
N/O	White
COM	Black

Termination B

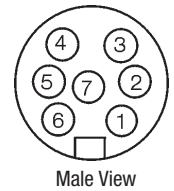
4 Conductor PVC Cable	
N/C	Red
N/O	White
COM	Black
GND	Green

Termination B

DPDT

PVC & Teflon Leads	
N/C1 - Red	N/C2 - Red/White Stripe
N/O1 - Blue	N/O2 - Blue/White Stripe
COM1 - Black	COM2 - Black/White Stripe
GND - Green	

Mini-Change QDC - 7 Pin	
Pin 1	N/O ₂
Pin 2	COM ₂
Pin 3	N/C ₂
Pin 4	N/C ₁
Pin 5	COM ₁
Pin 6	N/O ₁
Pin 7	GND



Termination DCH