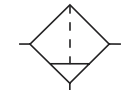


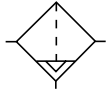
Particulate Filter

= "Most Popular"

F30



Manual Drain



Auto Drain

F30-06-000

Specifications

| | | |
|-------------------------|----------------------------|--|
| Flow Capacity* | 3/4 1 | 316 SCFM (149.1 dm ³ /s) 323 SCFM (152.4 dm ³ /s) |
| Maximum Supply Pressure | Plastic Bowl Metal Bowl | 150 PSIG (10.3 bar) 200 PSIG (13.8 bar) |
| Operating Temperature | Plastic Bowl Metal Bowl | 32° to 125°F (0° to 52°C) 32° to 150°F (0° to 65.5°C) |
| Port Size | NPT / BSPP-G | 3/4, 1 |
| Standard Filtration | Micron | 5 |
| Useful Retention** | oz. (cm ³) | 2.0 (59.8) |
| Weight | lb. (kg) | 5.5 (2.5) |

* Inlet pressure 150 PSIG (10.3 bar). Pressure drop 5 PSID (0.3 bar).

** Useful retention refers to volume below the quiet zone baffle.

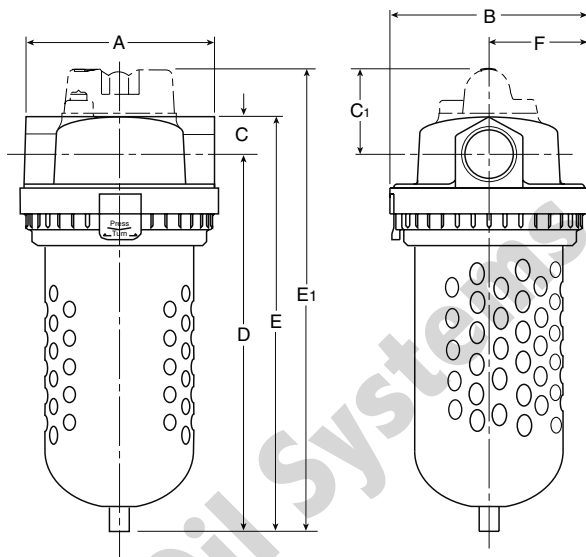
"F" Series Filters, Type "A" 5 micron elements: All Wilkerson Type "A" 5 micron elements **meet or exceed ISO Class 3** for maximum particle size and concentration of solid contaminants.

Features

- Standard Manual Drain
- Standard 5 Micron Rated Element
- Quick-disconnect Clamp Ring for Easy Bowl Removal
- Bowl Guard

Materials of Construction

| | | |
|------------------|----------------------------|-------------------------|
| Baffle | Acetal | |
| Body | Zinc | |
| Bowls | Plastic Bowl Metal Bowl | Polycarbonate Zinc |
| Deflector | Aluminum | |
| Element Retainer | Steel Stud | |
| Filter Element | Polyethylene | |
| Seals | Plastic Bowl Metal Bowl | Nitrile Fluorocarbon |
| Sight Gauge | Metal Bowl | Tempered Glass |



Dimensions

| Models | Inches (mm) | A | B | C | C ₁ | D | E | E ₁ | F |
|---|-------------|---------------|---------------|-------------|----------------|---------------|----------------|------------------|--------------|
| Standard Unit F30-XX-000 | | 4.61 (117) | 4.80 (122) | .94 (24) | — | 8.96 (228) | 9.90 (251) | — | 2.40 (61) |
| Differential Pressure Indicator F30-XX-D00 | | 4.61 (117) | 4.80 (122) | .94 (24) | 1.77 (44.9) | 8.96 (228) | 9.90 (251) | 10.73 (272.5) | 2.40 (61) |
| Automatic Drain F30-XX-F00 | | 4.61 (117) | 4.80 (122) | .94 (24) | — | 8.96 (228) | 10.04 (255) | — | 2.40 (61) |
| Metal Bowl F30-XX-M00 | | 4.61 (117) | 4.80 (122) | .94 (24) | — | 8.96 (228) | 10.00 (254) | — | 2.40 (61) |
| Metal Bowl with Sight Gauge F30-XX-G00 | | 4.61 (117) | 4.80 (122) | .94 (24) | — | 8.96 (228) | 9.90 (251) | — | 2.40 (61) |

 = "Most Popular"

Replacement Bowl Kits

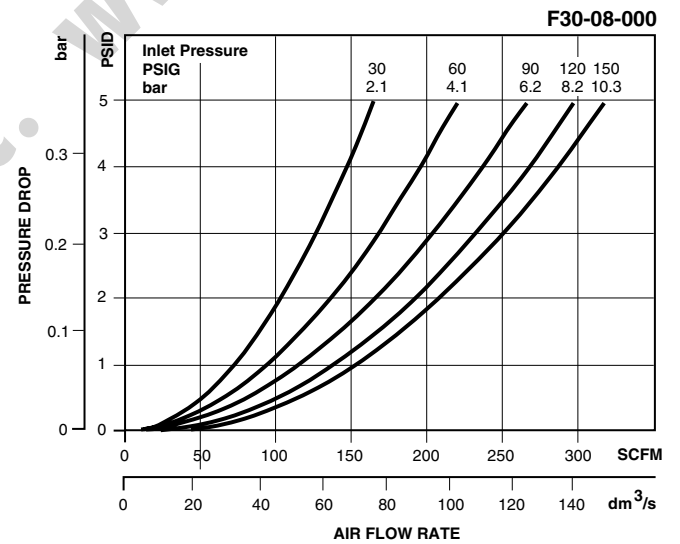
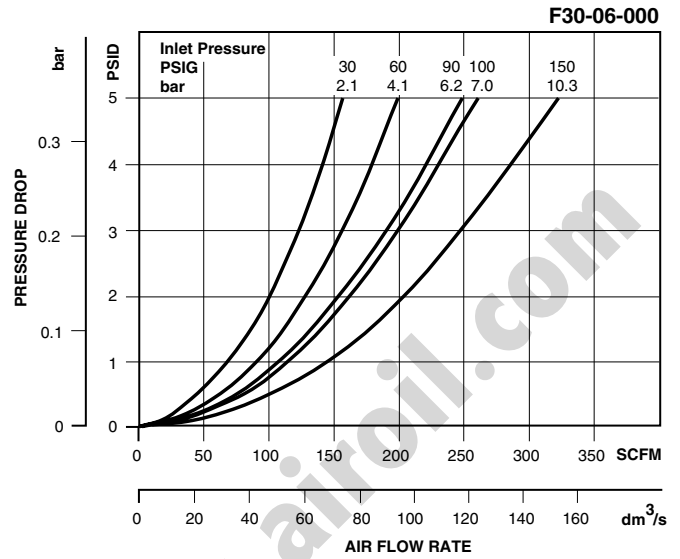
- Metal Bowl –**
 Automatic Drain GRP-95-970
 Sight Gauge, Manual Drain GRP-95-676
 Manual Drain FRP-95-593
- Plastic Bowl–**
 Bowl Guard, Automatic Drain FRP-95-775
 Bowl Guard, Manual Drain FRP-95-832
 Manual Drain FRP-96-315

Replacement Element Kits

- Type "A", 5 Micron FRP-95-209

Accessories

- Automatic Drain, Nitrile GRP-95-973
 Manual Drain FRP-95-610
 Sight Gauge Kit FRP-95-771



Ordering Information

| Model Type | Port Size | Polycarbonate Bowl / Bowl Guard | Metal Bowl | Metal Bowl / Sight Gauge | Polycarbonate Bowl / Bowl Guard / Differential Pressure Indicator |
|-----------------|-----------|---------------------------------|------------|--------------------------|---|
| Manual Drain | 3/4 | F30-06-000 | F30-06-M00 | F30-06-G00 | F30-06-D00 |
| | 1 | F30-08-000 | F30-08-M00 | F30-08-G00 | F30-08-D00 |
| Automatic Drain | 3/4 | F30-06-F00 | F30-06-FM0 | F30-06-FG0 | F30-06-DF0 |
| | 1 | F30-08-F00 | F30-08-FM0 | F30-08-FG0 | F30-08-DF0 |

Options - To order an option supplied with the unit model, add the appropriate coded suffix letter in the designated position of the model number.

