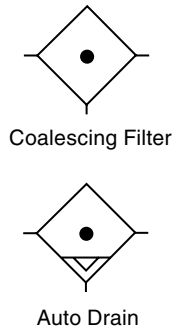


Coalescing Filter

M08

= "Most Popular"



M08-02-CK00

Features

- High-efficiency Removal of Water, Oil Aerosols, and Solid Particulate Contaminants Down to 0.01 ppm / wt with Minimum Pressure Drop
- Modern Design and Appearance
- Light Weight
- High Flow Capacity
- Bowl Guard
- Quick-disconnect Bowl

Specifications

Flow Capacity*	1/8, 1/4	11.0 SCFM (5.2 dm ³ /s)
Maximum Supply Pressure	Plastic Bowl Metal Bowl	150 PSIG (10.3 bar) 250 PSIG (17.2 bar)
Operating Temperature	Plastic Bowl Metal Bowl	32° to 125°F (0° to 52°C) 32° to 150°F (0° to 65.5°C)
Port Size	NPT / BSPP-G	1/4
Standard Filtration**	Micron	(B) .5, (C) 0.01 (D) 0.003 ppm wt
Useful Retention†	oz. (cm ³)	.4 (12)
Weight	lb. (kg)	.4 (0.2)

* Inlet pressure 150 PSIG (10.3 bar). Pressure drop 3 PSID (0.2 bar) (dry element).

** Filtration temperature of 70°F (21°C) @ 100 PSIG (6.9 bar) with typical compressor lubricating oil and protected by Type C filter.

† Useful retention refers to volume below the quiet zone baffle.

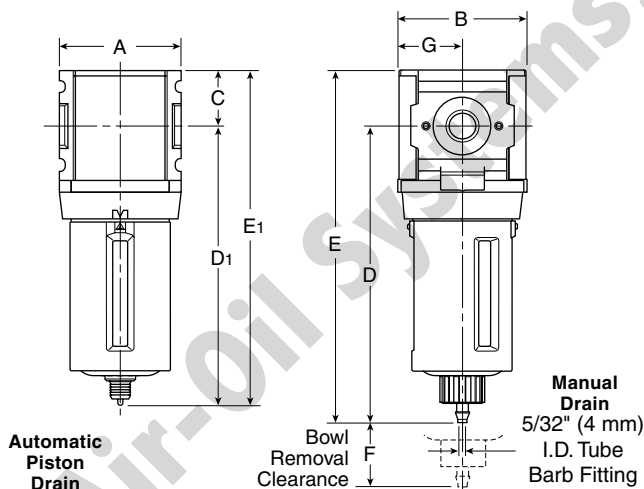
"M" Series Coalescing Filters, with Type "B" 0.5 micron elements: All Wilkerson Type "M" Oil Removal (Coalescing) Filters with Type "B" 0.5 micron elements exceed ISO Class 2 for maximum particle size and concentration of solid contaminants, and exceed Class 3 on maximum oil content (ppm/wt).

"M" Series Coalescing Filters, with Type "C" 0.01 micron elements: All Wilkerson Type "M" Oil Removal (Coalescing) Filters with Type "C" 0.01 micron elements exceed ISO Class 1 for maximum particle size and concentration of solid contaminants, and exceed Class 1 on maximum oil content (ppm/wt).

"M" Series Adsorption Filters, with Type "D" 0.003 micron activated carbon elements: All Wilkerson Type "M" adsorption filters with Type "D" 0.003 micron activated carbon elements exceed ISO Class 1 on maximum oil content (ppm/wt).

Materials of Construction

Body	Zinc	
Body Cap	ABS	
Bowl	Plastic Bowl Metal Bowl	Polycarbonate Zinc
Filter Element	Type "B", "C" Type "D"	Borosilicate Cloth Activated Carbon
Seals	Nitrile	



Dimensions

Models	Inches (mm)	A	B	C	D	D ₁	E	E ₁	F	G
Standard Unit M08-XX-CK00		1.58 (40)	1.68 (43)	.72 (18)	3.86 (98)	—	4.58 (116)	—	1.31 (33)	.84 (21)
Automatic Piston Drain M08-XX-CR00		1.58 (40)	1.68 (43)	.72 (18)	—	3.64 (93)	—	4.36 (111)	1.31 (33)	.84 (21)

= "Most Popular"

Replacement Bowl Kits

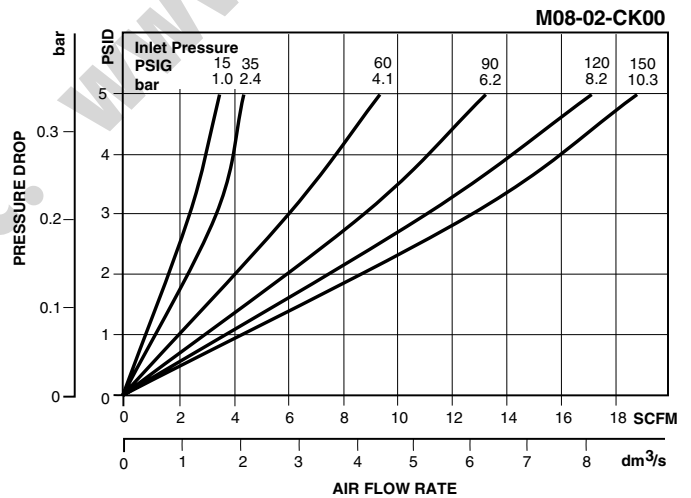
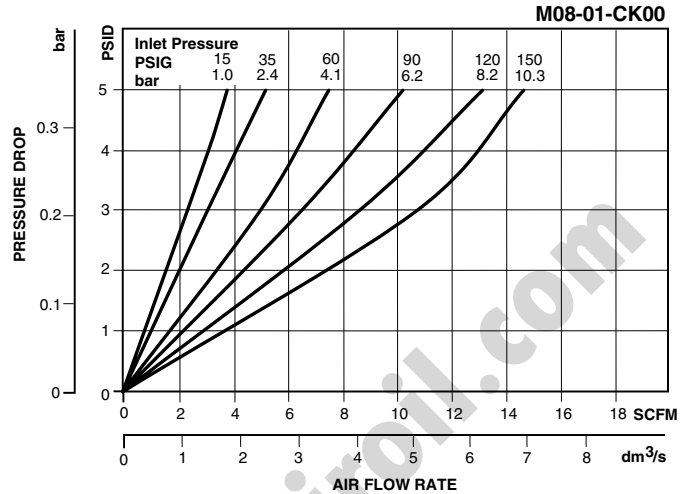
- Metal Bowl, Manual Drain.....GRP-96-714
- Plastic Bowl / Bowl Guard, Manual Drain.....GRP-96-712

Replacement Element Kits

- Type "B", 0.5 Micron..... MSP-96-732
- Type "C", 0.01 Micron..... MTP-96-649
- Type "D", 0.003 Micron, Activated Carbon MXP-96-222

Accessories

- Automatic Piston DrainGRP-96-716
- Wall Mounting Bracket –
- C-Type GPA-97-010
- T-Type GPA-96-737



Ordering Information

Model Type	Port Size	Plastic Bowl / Bowl Guard / C Element	Plastic Bowl / Bowl Guard / B Element	Plastic Bowl / Bowl Guard / D Element	Metal Bowl / C Element	Metal Bowl / B Element	Metal Bowl / D Element
Manual Drain	1/4	M08-02-CK00	M08-02-BK00	M08-02-DK00	M08-02-CL00	M08-02-BL00	M08-02-DL00
Automatic Piston Drain	1/4	M08-02-CR00	M08-02-BR00	M08-02-DR00	M08-02-CS00	M08-02-BS00	M08-02-DS00

Options - To order an option supplied with the unit model, add the appropriate coded suffix letter in the designated position of the model number.

B