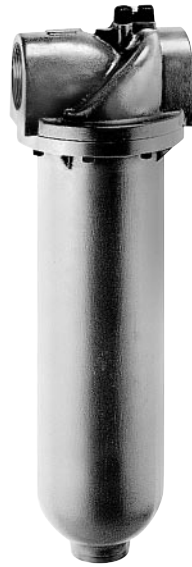
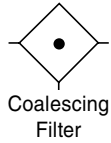


Coalescing Filter

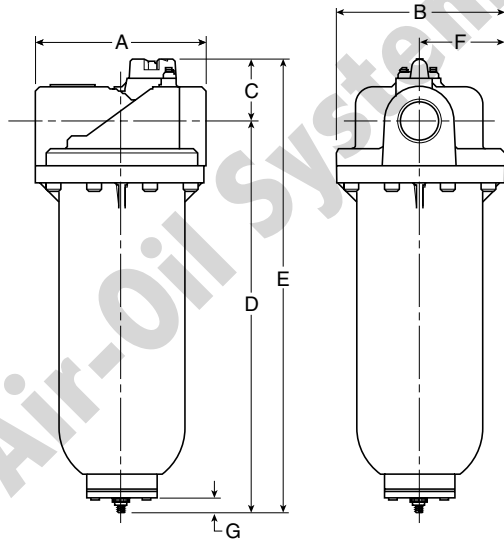
M45



M45-0E-000

Features

- Heavy-duty Cast Aluminum Housings to Withstand Operating Pressures Up to 300 PSIG ††
- Differential Pressure Indicator to Eliminate the Guesswork of Element Replacement
- Unique Drain Mounting Plate Design Offers Trouble-free Method for Interchanging and Installing External Drains
- High-flow Filter Elements: Coalescing, 1 Micron and 0.01 Micron



Dimensions

Models	Inches (mm)	A	B	C	D	E	F	G
Standard Unit M45-XX-000		8.94 (227)	8.88 (225.5)	3.48 (88)	32.52 (826)	36.00 (914)	4.44 (112.8)	.55 (14)

= "Most Popular"

Specifications

Flow Capacity *	3	2200 SCFM (1000 dm ³ /s)
Maximum Supply Pressure	without DP2 with DP2	300 PSIG (20.7 bar) †† 150 PSIG (10.3 bar)
Operating Temperature		32° to 150°F (0° to 65.5°C)
Port Size	NPT / BSPP-G	3
Standard Filtration	Micron	(B1) 1.0, (C) 0.01 (D) 0.003 ppm / wt **
Useful Retention †	oz. (cm ³)	15.0 (444)
Weight	lb. (kg)	39.0 (17.7)

* Inlet pressure 150 PSIG (10.3 bar). Pressure drop of 3 PSID (0.2 bar).

** Filtration temperature of 70°F (21°C) @ 100 PSIG (6.9 bar) with typical compressor lubricating oil and protected by Type "C" filter.

† Useful retention refers to volume below the quiet zone baffle.

†† Without Differential Pressure Indicator – Max. supply pressure is 300 PSIG (20.7 bar).

"M" Series Coalescing Filters, with Type "B1" 1.0 micron elements: All Wilkerson Type "M" Oil Removal (Coalescing) Filters with Type "B1" 1.0 micron elements **exceed ISO Class 2** for maximum particle size and concentration of solid contaminants, and exceed Class 3 on maximum oil content (ppm/wt).

"M" Series Coalescing Filters, with Type "C" 0.01 micron elements: All Wilkerson Type "M" Oil Removal (Coalescing) Filters with Type "C" 0.01 micron elements **exceed ISO Class 1** for maximum particle size and concentration of solid contaminants, and exceed Class 1 on maximum oil content (ppm/wt).

"M" Series Adsorption Filters, with Type "D" activated carbon elements: All Wilkerson Type "M" adsorption filters with Type "D" activated carbon elements **exceed ISO Class 1** on maximum oil content (ppm/wt).

Materials of Construction

Body		Aluminum
Bowls		Aluminum
Filter Elements	Type "B1", "C" Type "D"	Borosilicate Cloth Activated Carbon
Seals		Fluorocarbon
Stud		Plated Steel

NOTE: Standard filter includes tapped 1/2 NPT / BSPP-G drain plate. To order internal float drain shown, order drain adapter plate GRP-95-391 and automatic drain GRP-95-981.

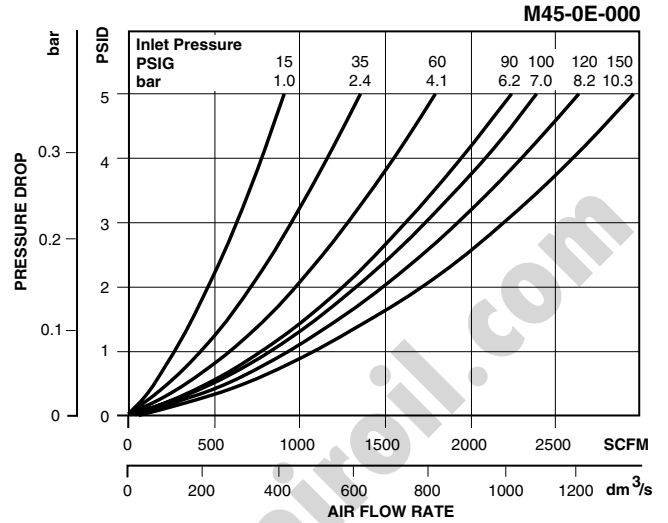
= "Most Popular"

Replacement Element Kits

- Type "B1", 1.0 Micron MSP-95-500
- Type "C", 0.01 Micron..... MTP-95-500
- Type "D", Oil Vapor Removing MXP-95-500

Accessories

- Cap, Differential Pressure Indicator
(For pressures over 150 PSIG) GRP-95-022
- Drain, Automatic, Internal, Fluorocarbon..... GRP-95-981
- Drain Plate Kit –
 - .56 Dia. (Use with Internal Auto Float Drain)..... GRP-95-391
 - 1/4 NPT Tapped Drain Port..... GRP-95-392
 - 1/2 NPT Tapped Drain Port..... GRP-95-393
- Gauge, Differential Pressure DP3-01-000
- Indicator, Differential Pressure DP2-01-001



Air-Oil Systems, Inc. www.air-oil.com

E

Ordering Information

Model Type	Port Size	Metal Bowl / "C" Element	Metal Bowl / "B1" Element	Metal Bowl / "D" Element
M45	3	M45-0E-000	M45-0E-S00	M45-0E-X00 (Includes 1/2 NPT / BSPP-G Drain Plate)

Options - To order an option supplied with the unit model, add the appropriate coded suffix letter in the designated position of the model number.