

ACE

GLASS SHOCKS

*Heavy-Duty Industrial Shock Absorbers for
Glass Bottle Blow-Molding Equipment*



*Eliminate Damaging Shock Loads & Bounce
Increase Cycle Rates
Increase Productivity*

Weartec Plus Corrosion Protection Included



GLASS Shocks



ACE Controls proven Glass Shock Absorbers were developed to handle the high temperatures and rapid cycle rates of independent station (I.S.) glass molding machines.

The take out-in, take out-out, and blow head mechanisms are subjected to both high heat and high cycle rates. These fast moving mechanisms must be stopped quickly and precisely.

ACE Controls Glass Shocks provide the required controlled linear deceleration over a range of speed and weight combinations, compensating for changes in both weight and velocity.



Controlling Shock Loads On Independent Station Glass Molding Machines...

Installing an ACE Glass Shock on take out-in, take out-out, and blow-head mechanisms will eliminate damaging bounce and shock loads. The result will be an...

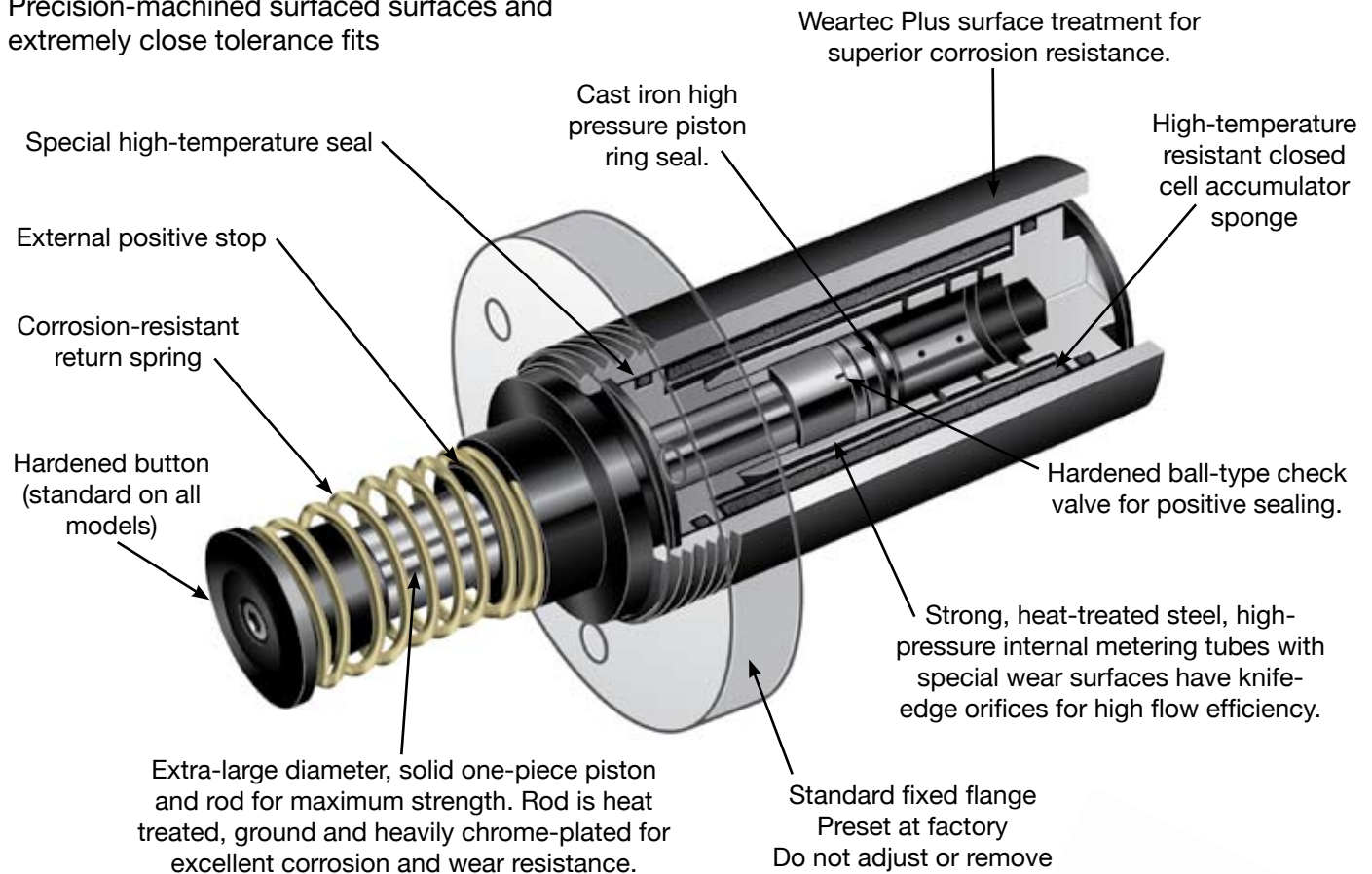
- Increase in speed
- Decrease in maintenance
- Increase in profits

The ACE extra heavy-duty design and construction, coupled with long-life seals and over-sized bearings, means that an ACE Glass Shock Absorber will out-perform and outlast any other brand now available on your most demanding applications.

(Shock absorber on left shown at actual size.)

GLASS Shock Construction

Precision-machined surfaced surfaces and extremely close tolerance fits



GLASS Shock Features

- Tamper-proof self-compensating design
- Split flange models offered for easy adjustment and drop-in mounting
- Extra heavy-duty design and construction with long-life seals and oversized bearings
- Weartec Plus coating for long lasting corrosion protection

GLASS Shock Benefits

- Increased cycle rates
- Extended shock performance under adverse conditions
- Increased productivity and profitability
- Lifetime warranty against material defects and workmanship

Lifetime Warranty

ACE Controls products are guaranteed to be free of defects in materials and workmanship. ACE will repair or replace any of its products determined to have a defect in materials or workmanship at anytime for the life of the product.

ACE Controls Inc. is focused on continuous improvement. Therefore, ACE reserves the right to change models, dimensions, or specifications without notice or obligation.

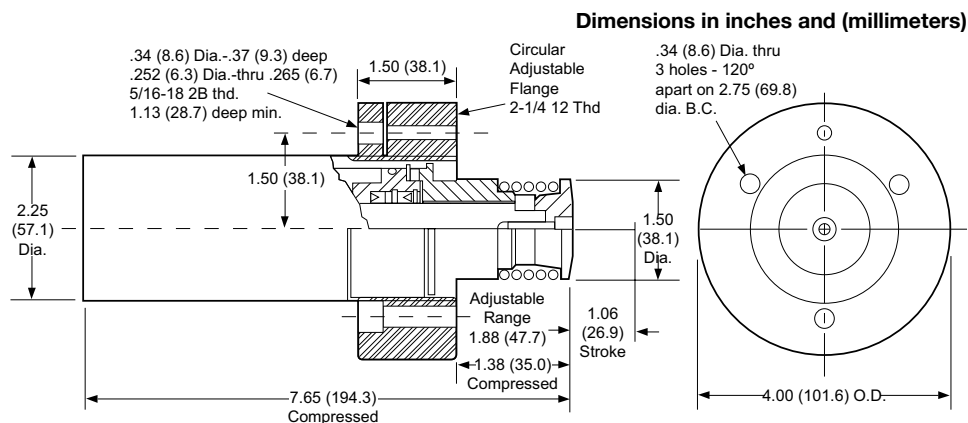


GLASS Shock Dimensions

Adjustable Flange GLASS Shock



Features a split mounting flange that permits a $\pm 1/4$ " (6.3 mm) adjustment of the final stop position to compensate for component wear.



Dimensions in inches and (millimeters)

Blow-Head Part Numbers

Model	OIS Part Number	Part Number with Flange	Part Number without Flange
MC 1-1/8 x 2-F-586GD	OIS-18-480 (-481*)	218-9214	218-9208*

Take-Out/Out & Take Out/In Part Numbers

Model	OIS Part Number	Part Number with Flange	Part Number without Flange
MC 1-1/8 x 2-F-587SV	OIS-19-1449 (-1457*)	218-9215	218-9209*
MC 1-1/8 x 2-F-593GR	OIS-19-1461 (-1462*)	218-9216	218-9210*

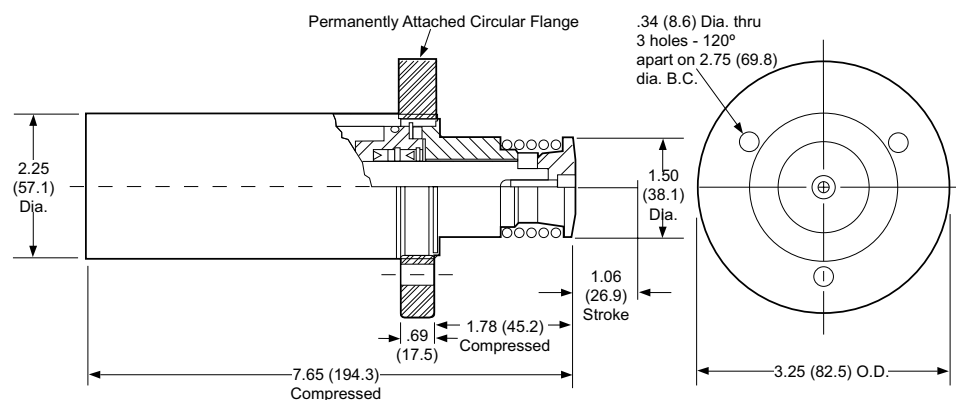
*Ordered without flange

Adjustable flange part number: **250-0162**

Installation note: the two letter code at the end of each model number represents the following color code: **GD = Gold, SV = Silver, GR = Green.**

For installation ease where color coded shock absorbers are existing, select the shocks appropriate for the application and replace with corresponding color coded model number.

Fixed Flange GLASS Shock



Blow-Head Part Numbers

Model	OIS Part Number	Part Number
MC 1-1/8 x 2-F-583GD	OIS-18-479	218-9211

Take-Out/Out & Take Out/In Part Numbers

Model	OIS Part Number	Part Number
MC 1-1/8 x 2-F-584SV	OIS-19-1448	218-9212
MC 1-1/8 x 2-F-591GR	OIS-19-1451	218-9213