

Samba™ OPLC™

SM35-J-R20 Installation Guide

The Unitronics SM35-J-R20 offers the following onboard I/Os:

- 12 Digital Inputs, configurable via wiring to include:
1 HSC/Shaft-encoder Input, 2 Analog inputs (only when the digital inputs are set to pnp)
- 8 Relay Outputs

General Description

The SAMBA SM35-J-R20 OPLC is an All-in-One Programmable Logic Controller that Comprises a built-in 3.5" Color Touchscreen.

Communications

- 1 built-in serial port: RS232
- Optional: the user may install -
 - Second RS232/RS485 port (V100-17-RS4/V100-17-RS4X),or
 - Ethernet (V100-17-ET2),or
 - CANbus (V100-17-CAN)



Standard Kit Contents

Samba controller	Mounting brackets (x2)
I/O connectors (x2)	Rubber seal
Battery (installed)	

Alert Symbols and General Restrictions

When any of the following symbols appear, read the associated information carefully.

Symbol	Meaning	Description
	Danger	The identified danger causes physical and property damage.
	Warning	The identified danger could cause physical and property damage.
<i>Caution</i>	Caution	Use caution.

- Before using this product, the user must read and understand this document.
- All examples and diagrams are intended to aid understanding, and do not guarantee operation. Unitronics accepts no responsibility for actual use of this product based on these examples.
- Please dispose of this product according to local and national standards and regulations.
- Only qualified service personnel should open this device or carry out repairs.

Failure to comply with appropriate safety guidelines can cause severe injury or property damage.

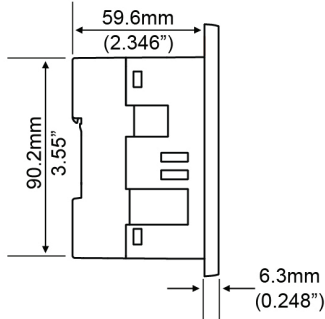
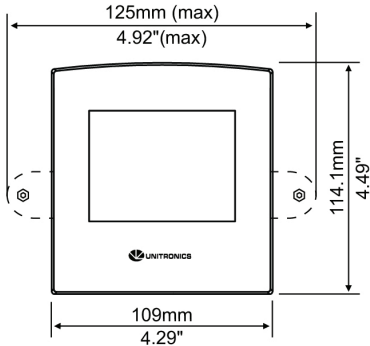
- Do not attempt to use this device with parameters that exceed permissible levels.
- To avoid damaging the system, do not connect/disconnect the device when power is on.

Environmental Considerations

- Do not install in areas with: excessive or conductive dust, corrosive or flammable gas, moisture or rain, excessive heat, regular impact shocks or excessive vibration, in accordance with the standards given in the product's technical specification sheet.
 - Do not place in water or let water leak onto the unit.
 - Do not allow debris to fall inside the unit during installation.
-
- Ventilation: 10mm space required between controller's top/bottom edges & enclosure walls.
 - Install at maximum distance from high-voltage cables and power equipment.

Mounting

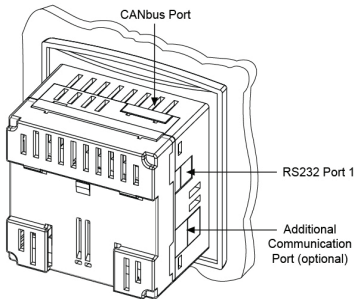
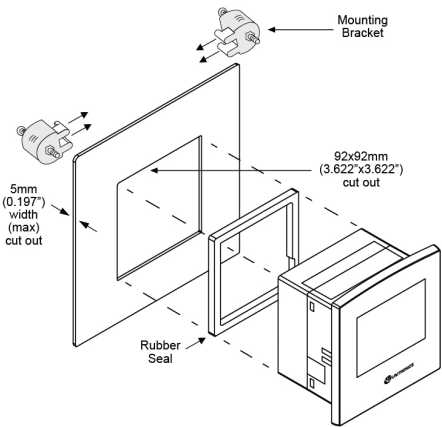
Dimensions



Panel Mounting

Before you begin, note that the mounting panel cannot be more than 5 mm thick.

1. Make a panel cut-out measuring 92x92 mm (3.622"x3.622").
2. Slide the controller into the cut-out, ensuring that the rubber seal is in place.
3. Push the mounting brackets into their slots on the sides of the panel as shown in the figure to the right.
4. Tighten the bracket's screws against the panel. Hold the bracket securely against the screw while tightening the screw.
5. When properly mounted, the controller is squarely situated in the panel cut-out as shown in the figure to the right.



Wiring



- Do not touch live wires.



- Install an external circuit breaker. Guard against short-circuiting in external wiring.
- Use appropriate circuit protection devices.
- Unused pins should not be connected. Ignoring this directive may damage the device.
- Double-check all wiring before turning on the power supply.

Caution

- To avoid damaging the wire, do not exceed a maximum torque of 0.5 N·m (5 kgf·cm).
- Do not use tin, solder, or any substance on stripped wire that might cause the wire strand to break.
- Install at maximum distance from high-voltage cables and power equipment.

Wiring Procedure

Use crimp terminals for wiring; use 3.31 mm² –0.13 mm² wire (12-16 AWG):

1. Strip the wire to a length of 7±0.5mm (0.270–0.300").
 2. Unscrew the terminal to its widest position before inserting a wire.
 3. Insert the wire completely into the terminal to ensure a proper connection.
 4. Tighten enough to keep the wire from pulling free.
- Input or output cables should not be run through the same multi-core cable or share the same wire.
 - Allow for voltage drop and noise interference with I/O lines used over an extended distance. Use wire that is properly sized for the load.
 - The controller and I/O signals must be connected to the same 0V signal.

I/Os

This model comprises a total of 12 inputs and 8 relays. Input functionality can be adapted as follows:

1. All 12 inputs may be used as digital inputs. They may be wired in a group via a single jumper as either npn or pnp.

In addition, according to jumper settings and appropriate wiring:

- Inputs 5 and 6 can function as either digital or analog inputs.
 - If the digital inputs function as npn, analog option is not available.
- Input 0 can function as a high-speed counter, as part of a shaft-encoder, or as a normal digital input.
- Input 1 can function as either a counter reset, normal digital input, or as part of a shaft-encoder.
- If input 0 is set as a high-speed counter (without reset), input 1 can function as a normal digital input.

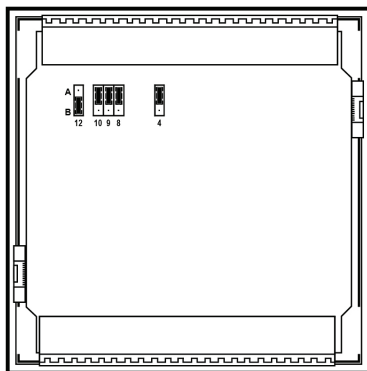
Input and Output Jumper Settings

The tables below show how to set a specific jumper to change input functionality. To access the I/O jumpers, you must open the controller according to the instructions beginning on page 7.

⚠ Incompatible jumper settings and wiring connections may seriously damage the controller.

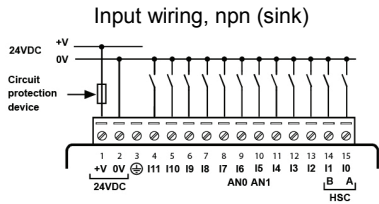
Digital Inputs 0-11: Set Type		
Set to	JP12 (all Inputs)	
npn (sink)	A	
pnp (source)*	B	
Input 5: Set Type - Digital or Analog #1		
Set to	JP4	JP10
Digital*	A	A
Voltage	B	A
Current	B	B
Input 6: Set Type - Digital or Analog #0		
Set to	JP8	JP9
Digital*	A	A
Voltage	B	A
Current	B	B

*Default settings

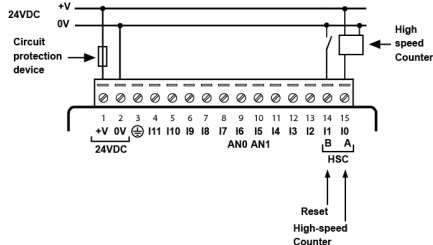


I/O Wiring

npn Input Wiring

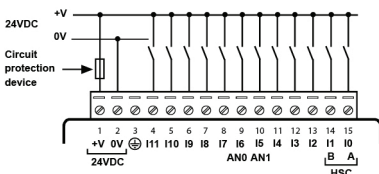


HSC input wiring, npn (sink)

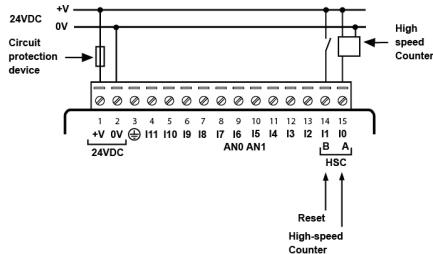


pnp Input Wiring

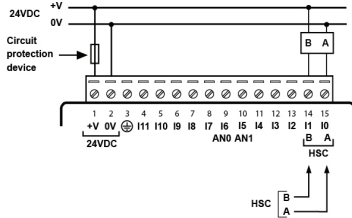
Input wiring, pnp (source)



HSC input wiring, pnp (source)



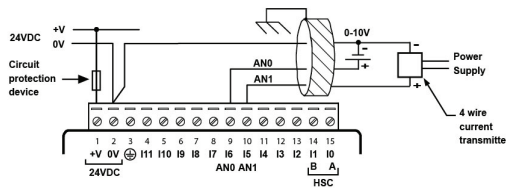
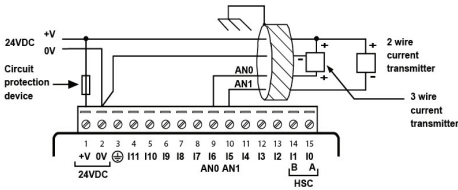
Shaft-encoder



Analog Input Wiring

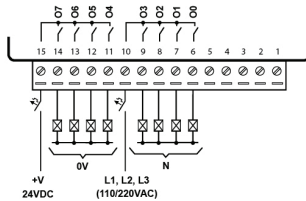
Analog input wiring, current (2/3 wire)

Analog input wiring, current/voltage (4-wire)



- Shields should be connected at the signal's source.
- The 0V signal of the analog input must be connected to the controller's 0V.

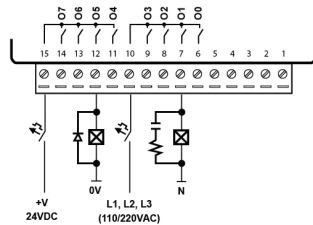
Relay Outputs



Increasing Contact Life Span

To increase the life span of the relay output contacts and protect the device from potential damage by reverse EMF, connect:

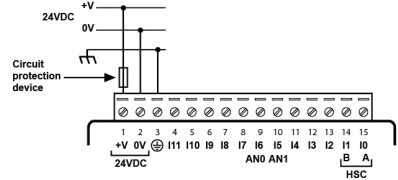
- A clamping diode in parallel with each inductive DC load
- An RC snubber circuit in parallel with each inductive AC load



Power Supply

The controller requires an external 24VDC power supply.

1. The power supply must include double insulation. Outputs must be rated as SELV/PELV/Class 2/Limited Power.
2. Use separate wires to connect the functional earth line (pin 3) and the 0V line (pin 2) to the system earth ground.
3. Install an external circuit breaker. Guard against short-circuiting in external wiring.
4. Double-check all wiring before turning on the power supply.
5. Do not connect either the 'Neutral' or 'Line' signal of the 110/220VAC to device's 0V pin.
6. In the event of voltage fluctuations or non-conformity to voltage power supply specifications, connect the device to a regulated power supply.



Earthing the OPLC

To maximize system performance, avoid electromagnetic interference by:

- Mounting the controller on a metal panel.
- Connect each common and ground connection directly to the earth ground of your system.

For ground wiring use the shortest and thickest possible wire.

Communication Port

- Turn off power before making communications connections.
- Signals are related to the controller's 0V; the same 0V is used by the power supply.
- Always use the appropriate port adapters.
- The serial port is not isolated. If the controller is used with a non-isolated external device, avoid potential voltage that exceeds $\pm 10V$.

Pinouts

The pinouts below show the PLC port signals.

RS232	
Pin #	Description
1	Not connected
2	0V reference
3	TXD signal
4	RXD signal
5	0V reference
6	Not connected

Opening the Controller



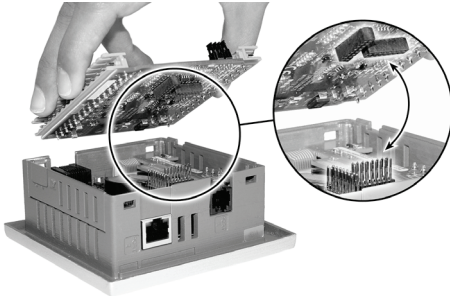
- Before performing these actions, touch a grounded object to discharge any electrostatic charge.
- Avoid touching the PCB board directly. Hold the PCB board by its connectors.

1. Turn off the power supply, disconnect, and dismount the controller.
2. The back cover of the controller comprises 4 screws, located in the corners. Remove the screws, and pull off the back cover.

Changing I/O Settings

1. The I/O board of the controller is now exposed, enabling you to change I/O settings according to the jumpers shown on page 4.

Closing the Controller



1. Gently replace the board. Make certain that the pins fit correctly into their matching receptacle. Do not force the board into place; doing so may damage the controller.
2. Replace the back cover of the controller and fasten the corner screws.

Note that you must replace the back cover securely before powering up the controller.

The information in this document reflects products at the date of printing. Unitronics reserves the right, subject to all applicable laws, at any time, at its sole discretion, and without notice, to discontinue or change the features, designs, materials and other specifications of its products, and to either permanently or temporarily withdraw any of the forgoing from the market.

All information in this document is provided "as is" without warranty of any kind, either expressed or implied, including but not limited to any implied warranties of merchantability, fitness for a particular purpose, or non-infringement. Unitronics assumes no responsibility for errors or omissions in the information presented in this document. In no event shall Unitronics be liable for any special, incidental, indirect or consequential damages of any kind, or any damages whatsoever arising out of or in connection with the use or performance of this information.

The tradenames, trademarks, logos and service marks presented in this document, including their design, are the property of Unitronics (1989) (R"G) Ltd. or other third parties and you are not permitted to use them without the prior written consent of Unitronics or such third party as may own them

DOC17001-B5 04/14