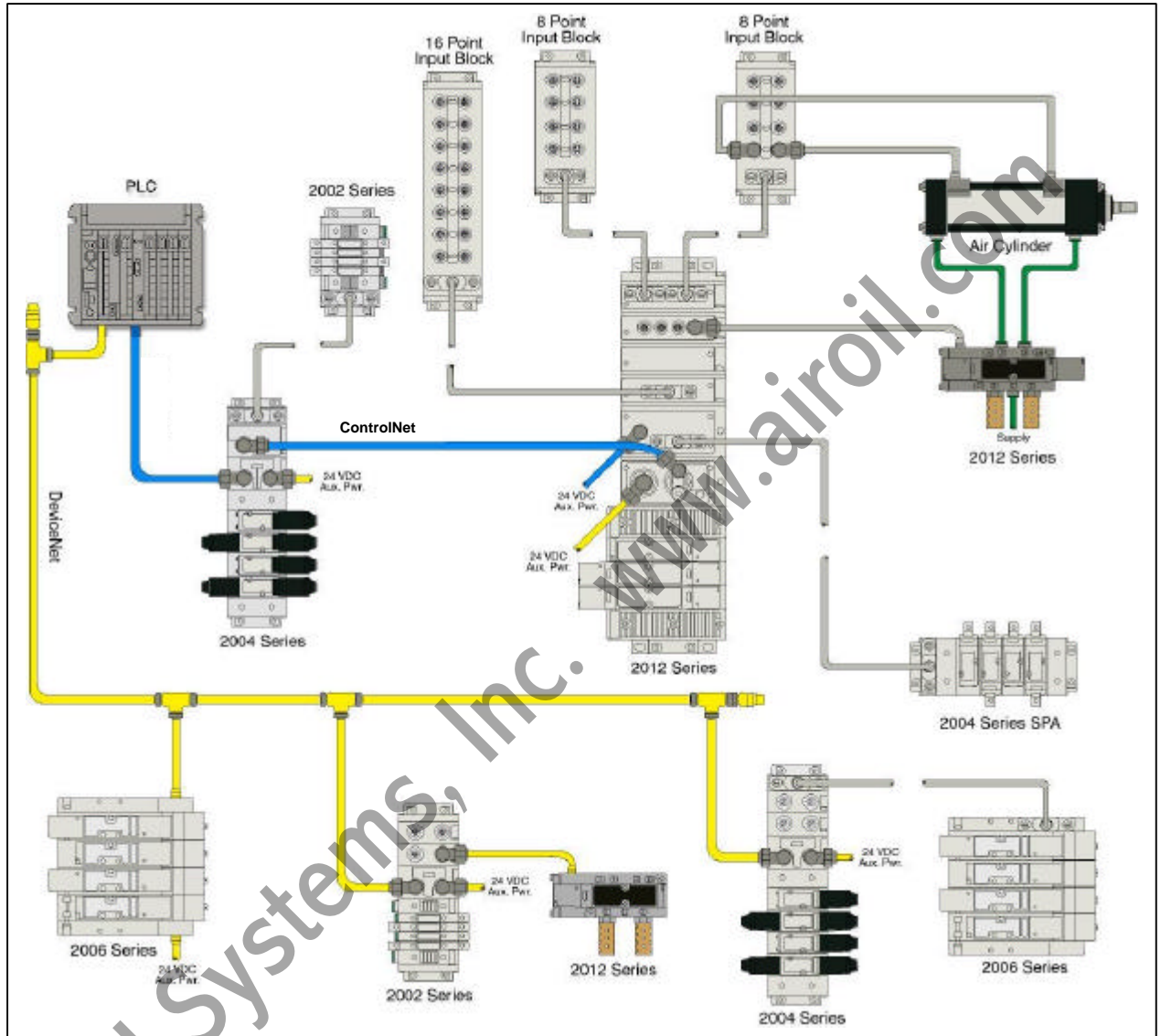


Flexible distribution of Pneumatic Fieldbus Manifolds



The power of ControlNet in a Pneumatic Fieldbus Manifold



General

ControlNet is an open architecture high-level communication network that meets the demands of today's industrial applications requiring high-speed (5M bit/s), high-throughput and flexibility. Numatics has integrated this communication protocol into the G2-2 series of fieldbus manifolds, which combines the functionality of a scalable modular I/O system with a modular pneumatic valve manifold.

Application

Ideal for applications requiring ControlNet I/O and pneumatic valve manifolds.

As a slave on a ControlNet network, the unit controls up to 164 Outputs / 96 Inputs (32 Output points are reserved for valve solenoid coils) from a single node (other configurations will allow up to 1568 I/O). The manifold can also be subdivided and distributed to other valve series without the need for additional nodes. Making it ideal for various applications.

This manifold is completely modular and scalable, featuring plug-in valves, sub-bases and I/O modules. The various plug-in discrete I/O modules allow external sensor devices to be read and external loads to be controlled via industry standard 12mm connectors or Sub-D connectors. Output drive currents are rated at 0.5A nominal with higher currents available.

Time proven lapped spool and sleeve valve design allows compact size, 5/2 and 5/3, valves with flows of up to 1.2Cv (1200 L/min).

Advantages

- Eliminates costs of wiring output points to pneumatic valve manifolds and I/O
- Per point diagnostics decrease troubleshooting time, commissioning costs and machine down-time
- I/O distribution capability decreases overall system costs by decreasing the number of necessary ControlNet nodes
- Modular system allows maximum flexibility for applications
- Distribution capabilities span across different valve series
- Extreme I/O capacity allows most efficient use of node capability



We're everywhere you need us to be.