

FRAME WORLD

Aluminum Structural Framing Components



Introduction	2
Section A FastFrames Pre-engineered Components	11
FrameQuoter Software	23
Section B 5/16" Slot Aluminum Profiles (1.5", 3", 4.5", etc.)	26
Section C 5/16" Slot Pictorial Index	44
Section C.1 Corner Angle Brackets	56
Section C.2 Gusseted Corner Angle Brackets	74
Section C.3 Steel Corner Angle Brackets	92
Section C.4 Internal and Adjustable Corner Brackets	98
Section C.5 Joining Plates	128
Section C.6 Floor Mounts, Casters and Adjustable Feet	155
Section C.7 Panels, Doors and Hardware	182
Section C.8 Hinges, Handles and Latches	211
Section C.9 Sliding Components and Bearings	244
Section C.11 Stanchions	265
Section C.12 Conveyor Components	276
Section C.13 Screws, Nuts and Fasteners	278
Section C.14 Miscellaneous Components	298
Section D Modular Tooling	312
Section E 1/4" Slot Aluminum Profiles (1", 2", 3" etc.)	334
Section F 1/4" Slot Pictorial Index	341
Section F.1 Corner Angle Brackets	351
Section F.2 Gusseted Corner Angle Brackets	368
Section F.3 Steel Corner Angle Brackets	381
Section F.4 Internal and Adjustable Corner Brackets	387
Section F.5 Joining Plates	405
Section F.6 Floor Mounts, Casters and Adjustable Feet	421
Section F.7 Panels, Doors and Hardware	439
Section F.8 Hinges, Handles and Latches	450
Section F.9 Sliding Components and Bearings	470
Section F.10 Stanchions	489
Section F.11 Screws, Nuts and Fasteners	497
Section F.12 Miscellaneous Components	512
Section G Aluminum Extrusion Properties and Specifications	519
Section H Other Aluminum Profiles	588
Section I Engineering and Machining Services	593
Section J Applications and Assemblies	602
Index	607

Compare the steps required to complete a project; Aluminum vs. Steel Weldment

Welded Steel

1. Planning
2. Purchasing
3. Cutting
4. Layout
5. Welding
6. Straightening
7. Chipping and Sanding
8. Priming and Painting
9. Delivery
10. Maintenance

Aluminum Extrusion

1. Planning
2. Purchasing
3. Cutting
4. Assembly

Welding steel is expensive

Steel is less costly than aluminum. However, welding steel is an expensive and time consuming process. Welding requires skilled labor and extensive safety precautions to protect personnel from dangerous light and smoke during the welding process. Priming and painting have an environmental impact to be considered and spray booths are a governmental agency concern. The welding is usually done either off-site or in another area of the building, away from the project site. Any changes required later are difficult to make, and often look like a patch or obvious fix.

Assembling aluminum extrusions is fast and simple

Aluminum extrusions have nearly the same tensile strength as mild steel with a much higher strength to weight ratio. A few simple tools and low-tech labor are all that is required for most projects. Aluminum extrusion assembly can easily be done right at the project site, with no special safety equipment required. Construction or design changes or adjustments can be easily and immediately implemented. Even "design as you go" projects have a finished professional look. With great visual aesthetics. The anodized aluminum does not need painting. As soon as the last extrusion is in place, that part of the project is ready for use. The T-slot concept easily accom-

modates later additions or revisions to the project, without looking patched. Finished projects are inherently square, so the need for shimming or leveling is reduced. The nonporous, hollow extrusions are ideal for use as air reservoirs and manifolds for both pressure and valve exhaust collection. Covered extrusion T-slots can be used as conduits for protecting sensor and control wiring.

The true cost of steel fixtures includes the cost of welding

The true cost of steel includes the cost and special needs of the welding process, special equipment, safety concerns, painting and delivery to the site. Once completed, the project is difficult to modify.

Aluminum extrusion fixtures are easier than steel fixtures

Assembly of aluminum extrusions is fast, requires simple tools and labor. It requires no painting, is clean, reusable, easily modified and looks good.

T-Slot technology is widely utilized in industrial structural components.

FRAME-WORLD extruded aluminum profiles utilize these longitudinal slots for inserting T-bolts and nuts anywhere along its length to attach connection brackets and accessories.

Threading and machining the ends allows for end joint connections.

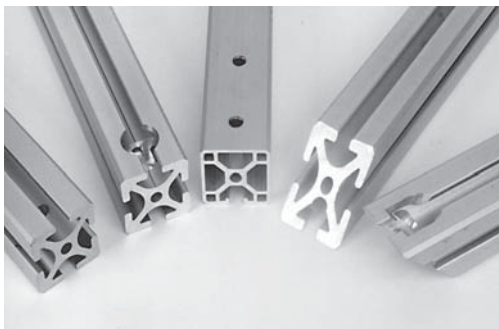
No welding or painting is required. All joint connections are screwed together to provide extensive flexibility and allow for conversions, extensions and are separable.

ALWAYS WEAR SAFETY GLASSES



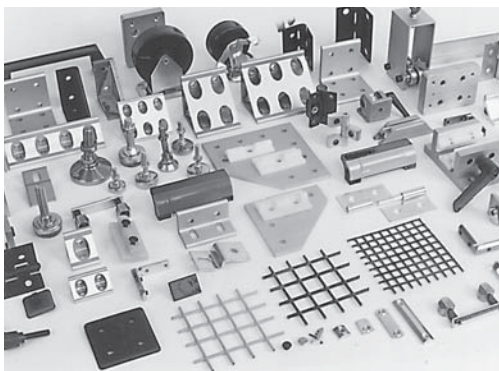
Bulk Profiles

- Standard 8', 12', 16' lengths. (other lengths can be furnished in quantity)
- Available in standard and **SMOOTH-Series** (slotless) designs
- 1/4" and 5/16" slot sizes
- Standard anodized or optional powder coat finishes
- Skidded, wrapped, padded and banded for shipping



Cut/Machined Profiles

- Extrusions cut to specified lengths (including miter cuts)
- Custom machining available: drilled holes, tapped holes, counterbores, milling, etc.

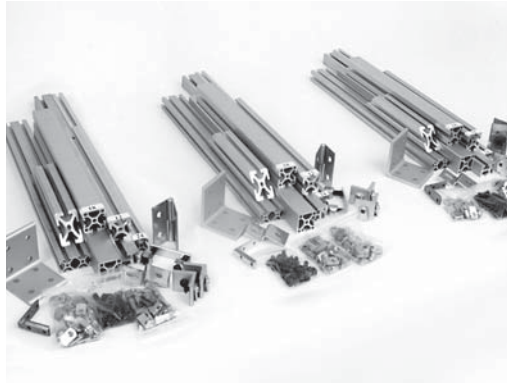


Components & Accessories

- Wide range of brackets, joining plates, gussets, fasteners, handles, end caps, angles, panel material, bolts, etc.
- Special hinges for ultra-strong doors
- Custom accessories available

Kits & I.D. Kits

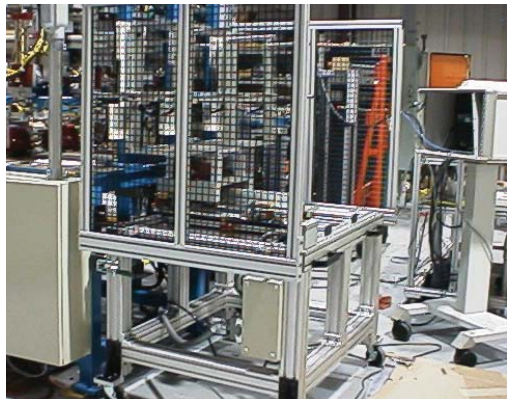
- **Kits** for multiple frame orders, profiles and accessories are bundled and packaged for each individual frame
- **I.D. Kits** indicate lengths on each extrusion (eliminates profile measuring during assembly)
- Saves you time, money and labor

**FastFrames
Pre-engineered
Modules and
Sub Assemblies**

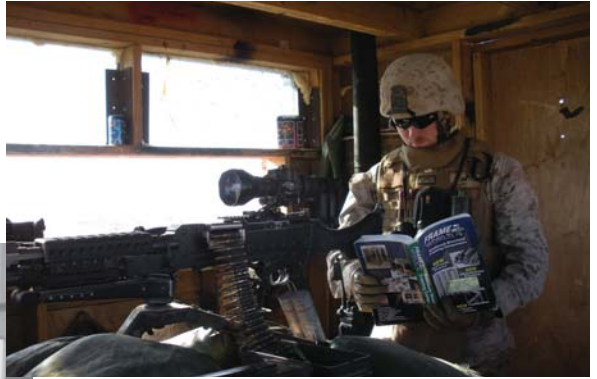
- Includes panels, doors, bases, carts
- All necessary hardware is included
- Available assembled or in kit form
- Greatly simplifies design, ordering and assembly
- Single part number ordering

**Complete Solutions**

- Complete turnkey solutions for machine guards, bases, frames, enclosures, racks, workstations & more
- Tremendous labor (cost) savings
- The simplest solution available



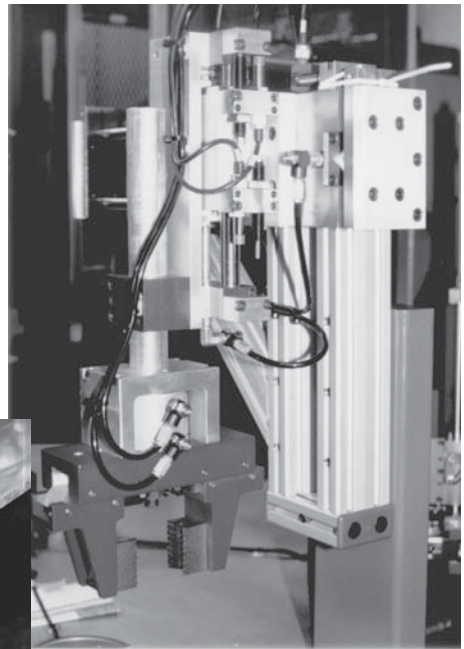
FRAME-WORLD's Aluminum Extrusions can be used in any industrial setting, for any purpose!



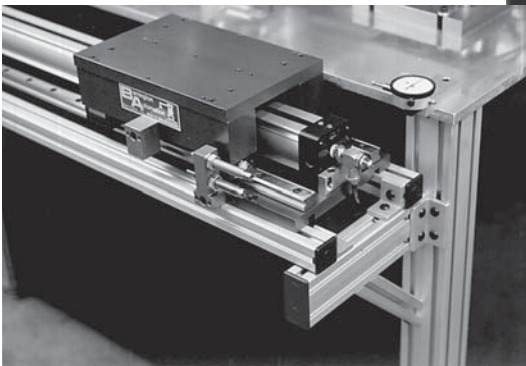
Any setting, Any purpose



Machining & Parts



Machine Fixturing



Slide Mount



as Carts



as Racks



Work Stations



Stands



Enclosures

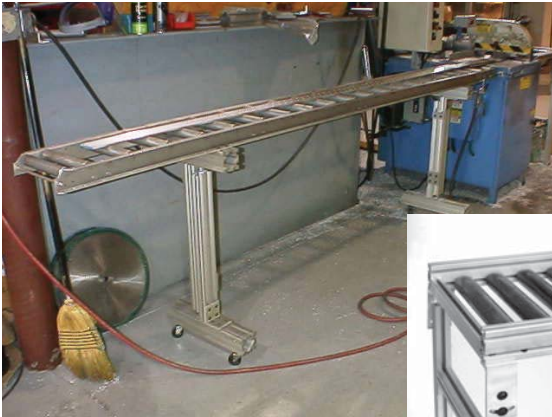


Support brackets



Staging carts





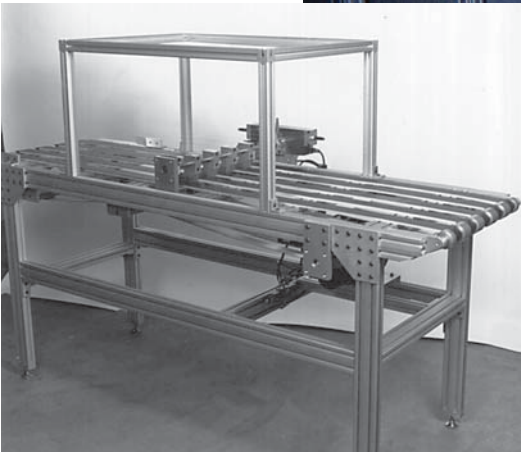
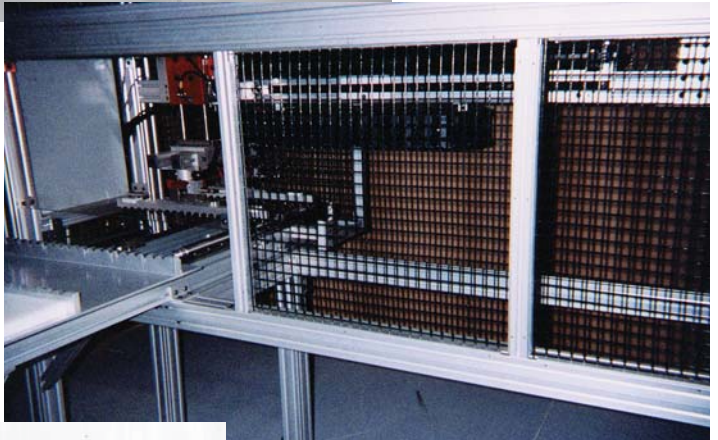
Conveyors



Production Staging



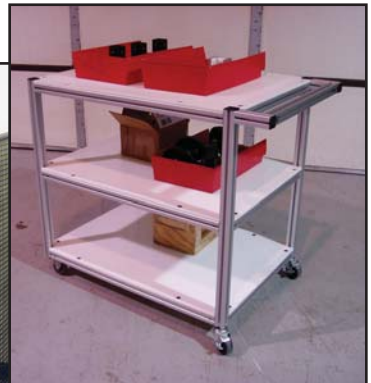
But most importantly, **FRAME-WORLD's** extrusions are a cost effective, low maintenance way to make machine safety guards.



FastFrames

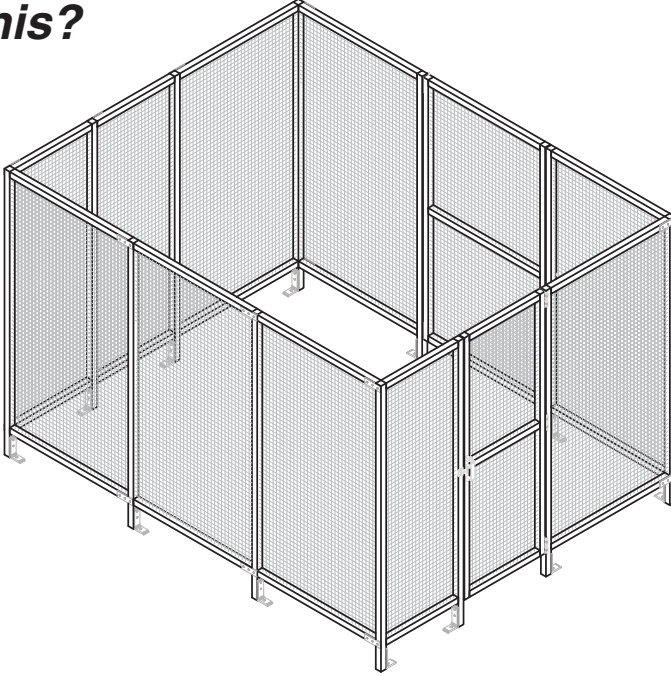
The fastest and easiest way to develop frames, machine guards, enclosures, carts and conveyor systems.

- Order panels, doors, carts, bases and conveyors with a single part number!
- Each is available pre-assembled or in kit form
- All necessary hardware is included

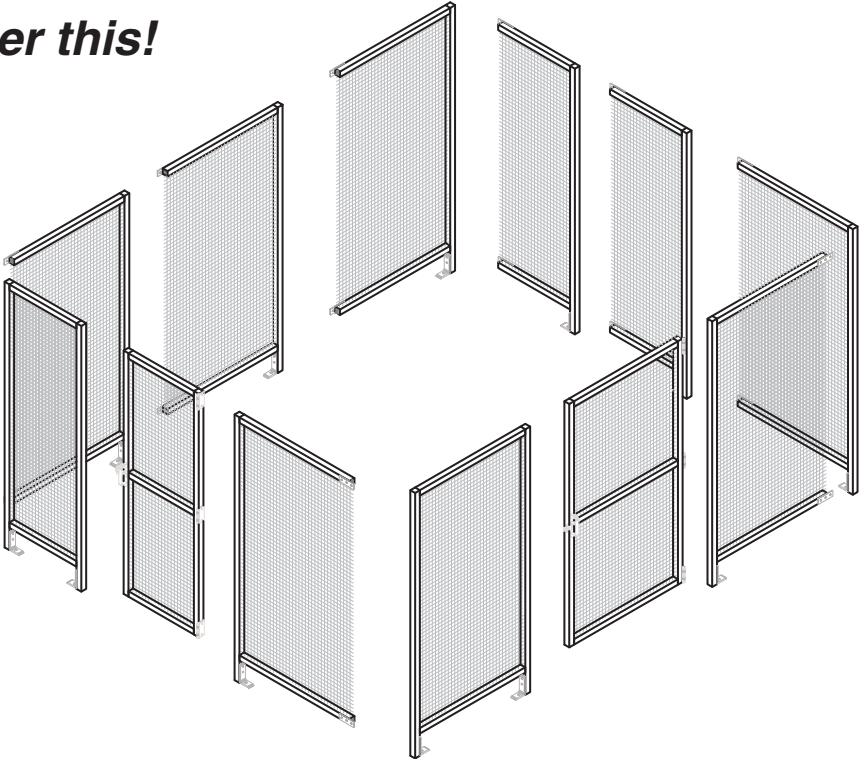


FastFrames

Want this?



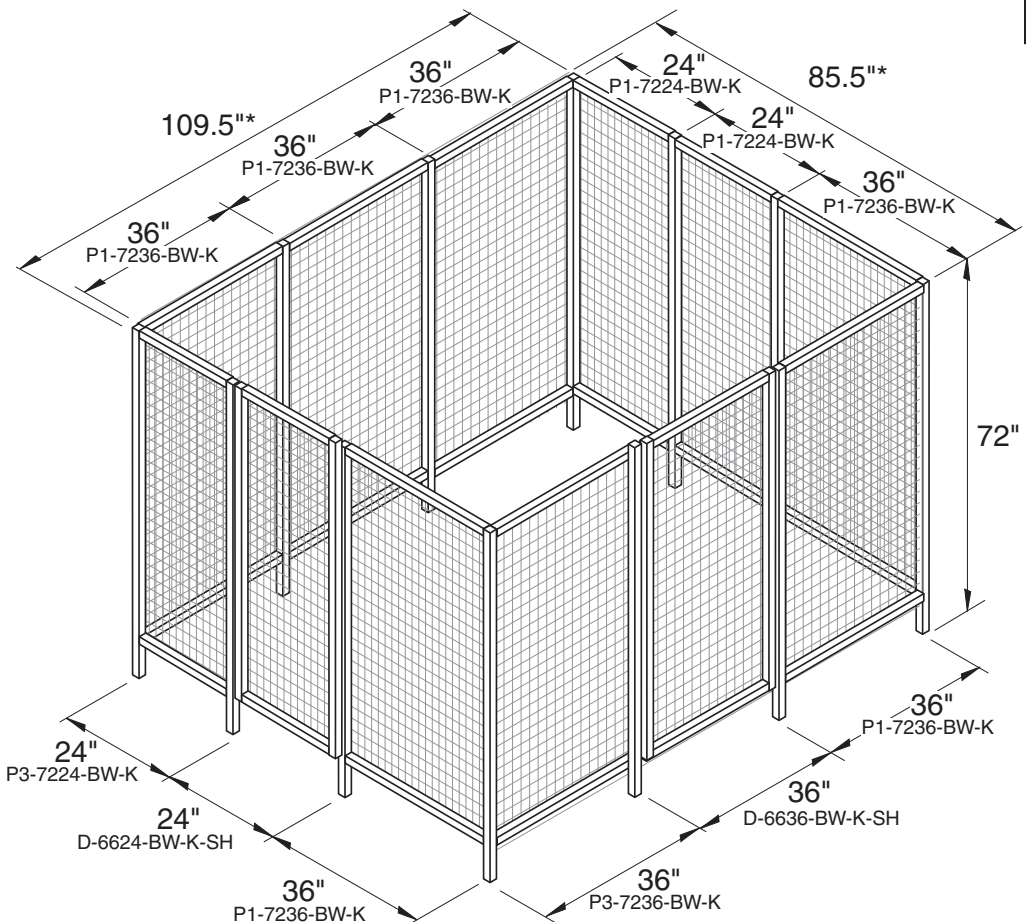
Order this!



FastFrames

Example

Build this entire safety enclosure with only 12 ordered parts, instead of 567 individual components.



Bill of Material

(1) D-6636-BW-K-SH	36" Opening Door
(1) D-6624-BW-K-SH	24" Opening Door
(1) P3-7236-BW-K	36" Panel
(1) P3-7224-BW-K	24" Panel
(6) P1-7236-BW-K	36" Panel
(2) P1-7224-BW-K	24" Panel

These dimensions achieved using standard sized panels.

If desired enclosure height, width or depth cannot be achieved with standard sized panels, FRAME-WORLD can add additional panels and adjust the height to do so.

Please contact your distributor or the factory for custom sizes.

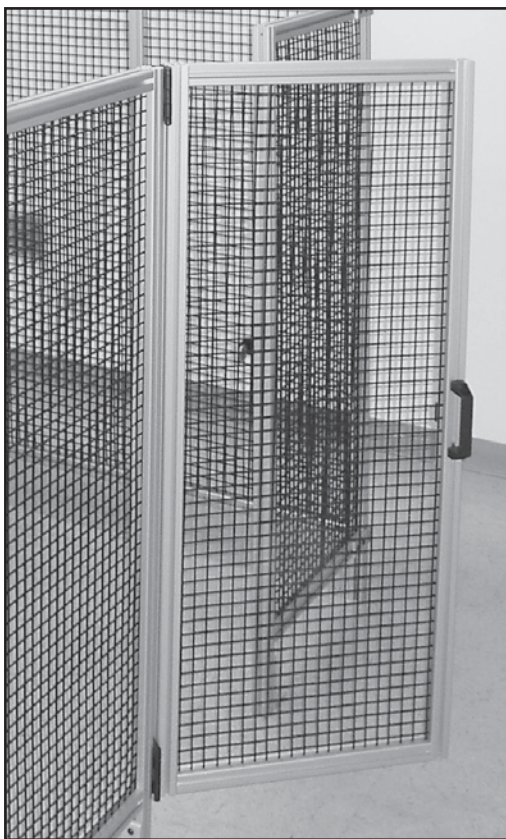
Standard Enclosure Panels

- **FastFrames** standard enclosure panels can be purchased pre-assembled or in kit form.
- Frame construction:
 - Panels**
 - Extrusion frame is EX-9 (page 30) .
 - Corner connectors are EF-29A universal fasteners (page 106).
 - Floor mounting brackets are EB-15AL (page 175).
- Inside panel construction options:
 - 2" x 2" black PVC coated wire mesh is EB-38-2 (page 182)
 - 1" x 1" black PVC coated wire mesh is EB-38-1 (page 182).
 - 1" x 1" yellow PVC coated wire mesh is EB-38-1Y (page 182).
 - 1/4" thick Lexan is EB-160 (page 189).
 - Wire mesh brackets are EB-49B/EB49Y (page 185).
 - Lexan Gasket is EB-40A (page 199).
- Standard panel widths are 18", 24", 30", 36", 48".
- Standard panel heights are 40", 60", 72" & 84".
- Panel to panel connecting brackets and hardware are included.
- Floor anchors are furnished and installed by customer.
- Smooth Series extrusion panels are available.
- **Custom sizes available**

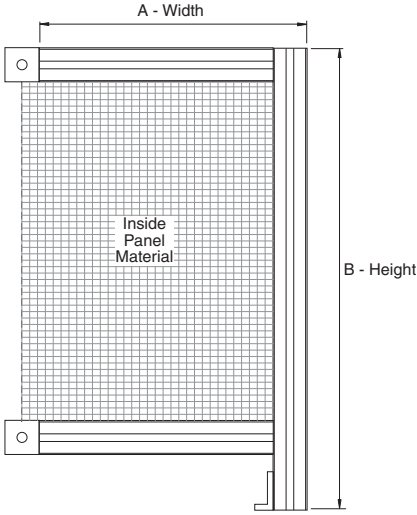


Standard Enclosure Doors

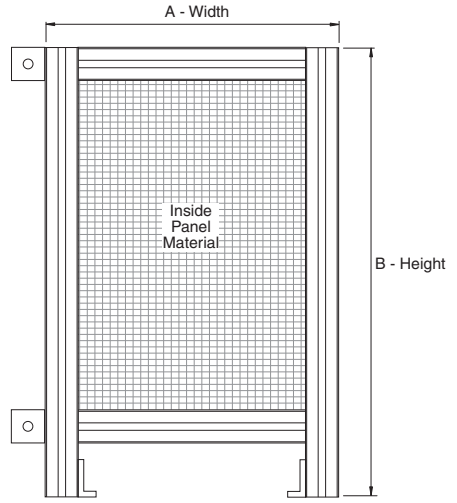
- **FastFrames** standard doors can be purchased pre-assembled or in kit form.
- Frame construction:
 - **Doors**
 - Extrusion frame is EX-9 (page 30).
 - Corner connectors are EF-29A (page 106).
 - Hinges are EF-70 (page 216).
 - Handle is EF-15B (page 225).
 - Latch is EF-22HD (page 240).
- Inside panel construction options:
 - 2" x 2" black PVC coated wire mesh is EB-38-2 (page 182)
 - 1" x 1" black PVC coated wire mesh is EB-38-1 (page 182).
 - 1" x 1" yellow PVC coated wire mesh is EB-38-1Y (page 182).
 - 1/4" thick Lexan is EB-160 (page 189).
 - Wire mesh brackets are EB-49B/EB49Y (page 185).
 - Lexan Gasket is EB-40A (page 199).
- Standard door widths are 24", 30", 36" & 48" opening.
- Standard door heights are 34", 54", 66", & 78".
- Smooth Series extrusion panels are available.
- **Custom sizes available**



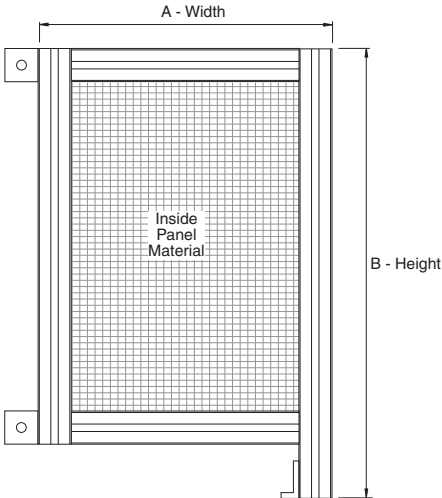
Standard Enclosure Panels



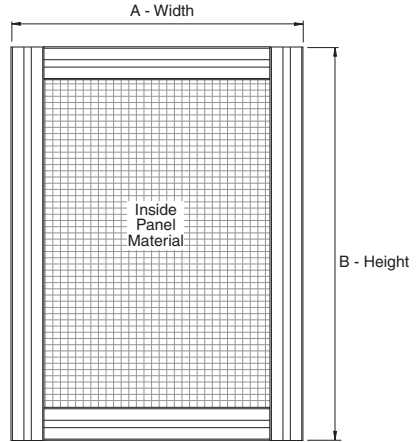
**Standard (1) Leg Panel
Model P1**



**Standard (2) Leg Panel
Model P3**



**Standard (1) Leg Panel
Model P2**



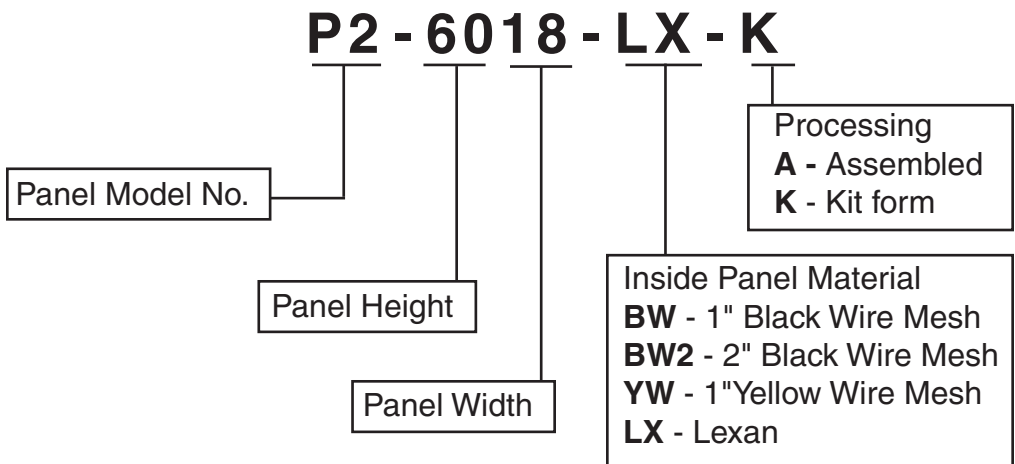
**Standard Basic Panel
Model P4**

Note: Mounting Hardware Not Included

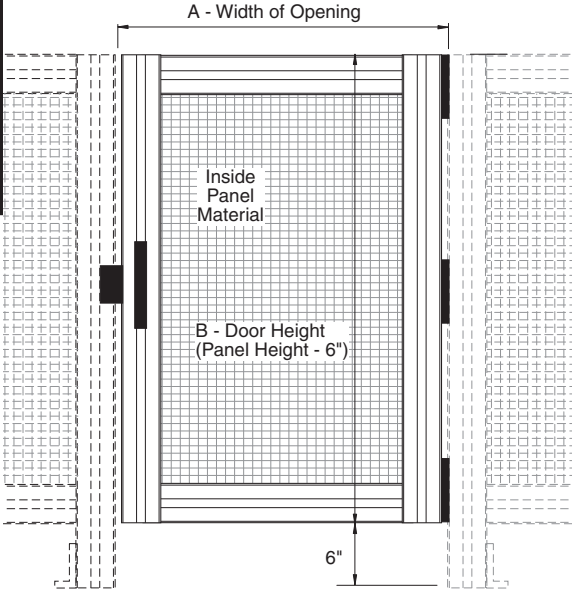
Standard Enclosure Panels

- Standard panel heights are 40", 60", 72" & 84".
- Standard panel widths are 18", 24", 30", 36" & 48".
- Smooth Series extrusion panels are available.
- **Custom sizes available** - consult the factory

Panel Ordering Example



Standard Enclosure Doors

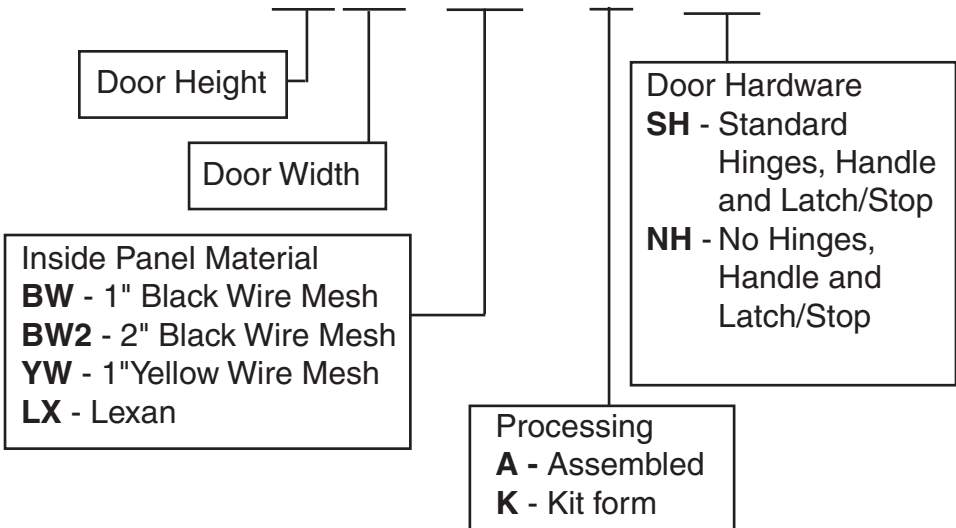


- Standard door heights are 30", 34", 54", 66", & 78".
- Standard door widths are 24", 30", 36" & 48" opening.
- Smooth Series extrusion panels are available.
- **Custom sizes are available** - consult the factory

Note: Part Nos. D-5436, D-6636, & D-7836 have a center extrusion bar.

Door Ordering Example

D- 6624 -BW -A - SH

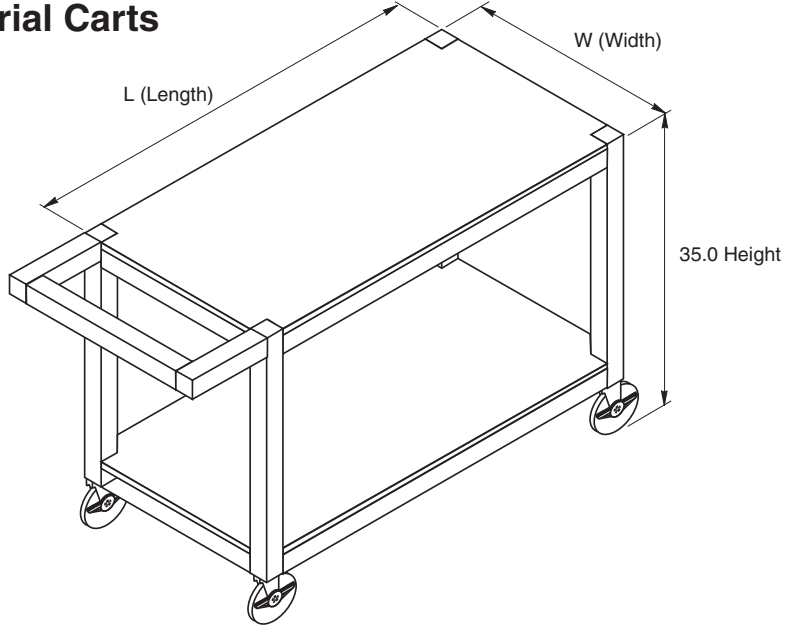


Standard Material Carts



- 1 1/2" x 1 1/2" extrusion frame
- 3/8" thick high density polyethylene top and shelf material
- 3" diameter casters with brake, 1" wide rubber wheels
- Standard height: 35.0"
- All shelves are height adjustable
- Carts are shipped as kits or assembled
- Shelf sides are achieved by turning shelf upside down
- All hardware included
- 300 pound total capacity
- **Custom sizes available**

Standard Material Carts



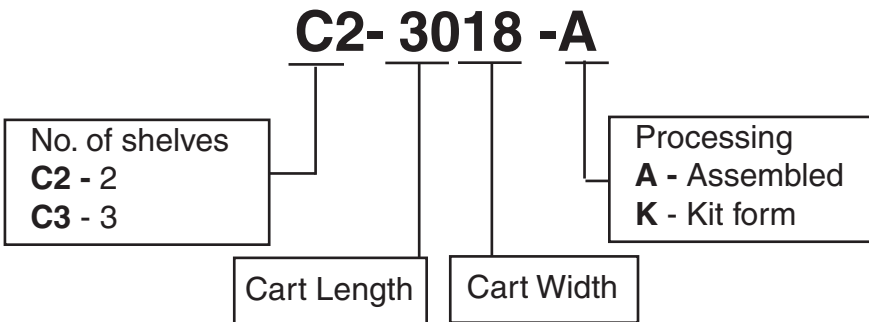
Model C2 Shelf Cart - (2) shelves

Length (L)	18"	22"	Width (W)	
			26"	30"
30	C2-3018	C2-3022	C2-3026	C2-3030
36	C2-3618	C2-3622	C2-3626	C2-3630

Model C3 Shelf Cart- (3) shelves

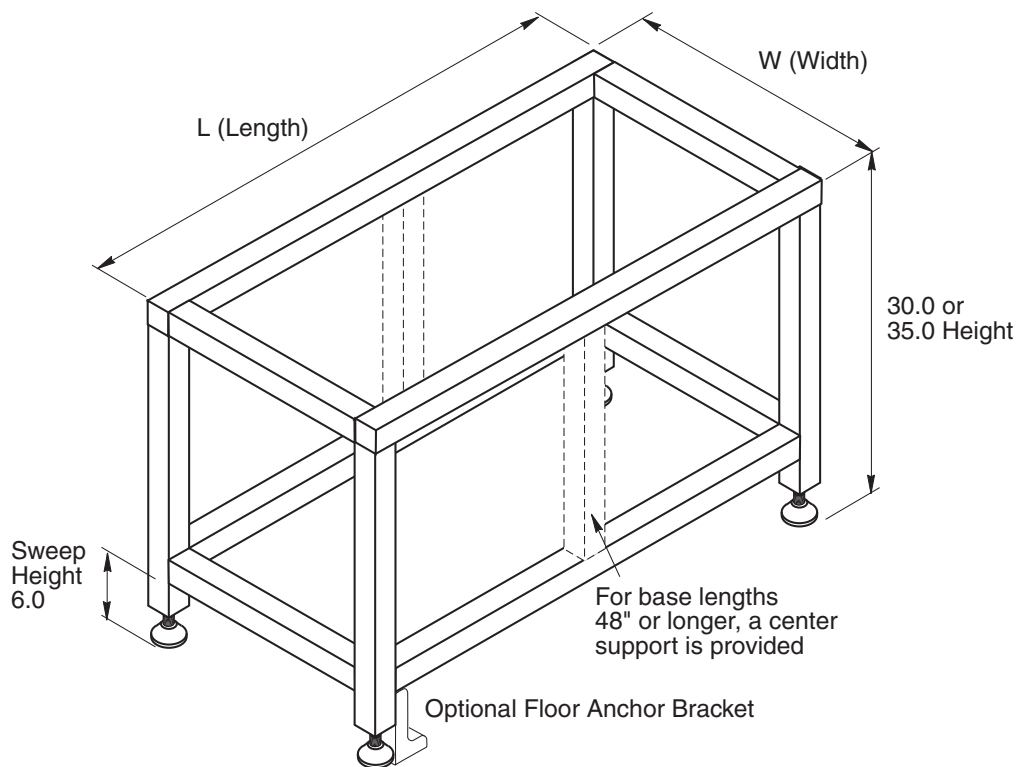
Length (L)	18"	22"	Width (W)	
			26"	30"
30	C3-3018	C3-3022	C3-3026	C3-3030
36	C3-3618	C3-3622	C3-3626	C3-3630

Material Cart Ordering Example



Custom sizes are available - consult the factory

Standard Bases and Tables



- Available in kit form or assembled
- Includes adjustable legs
- Floor Anchor Brackets available on request
- Choice of Light, Standard or Heavy Duty
- Standard Heights of 30" or 35"
- Tops and enclosure panels available on request - consult factory
- Sweep height = 6.00"
- Light Duty is EX-1
- Standard Duty is EX-2
- Heavy Duty is EX-3
- **Custom sizes available**

FASTFRAMES

Model L Light Duty

Length (L)	Width (W)			Max Load
	24"	30"	36"	
36"	L-3624	L-3630	L-3636	400
48"	L-4824	L-4830	L-4836	360
60"	L-6024	L-6030	L-6036	300
72"	L-7224	L-7230	L-7236	240

Model S Standard Duty

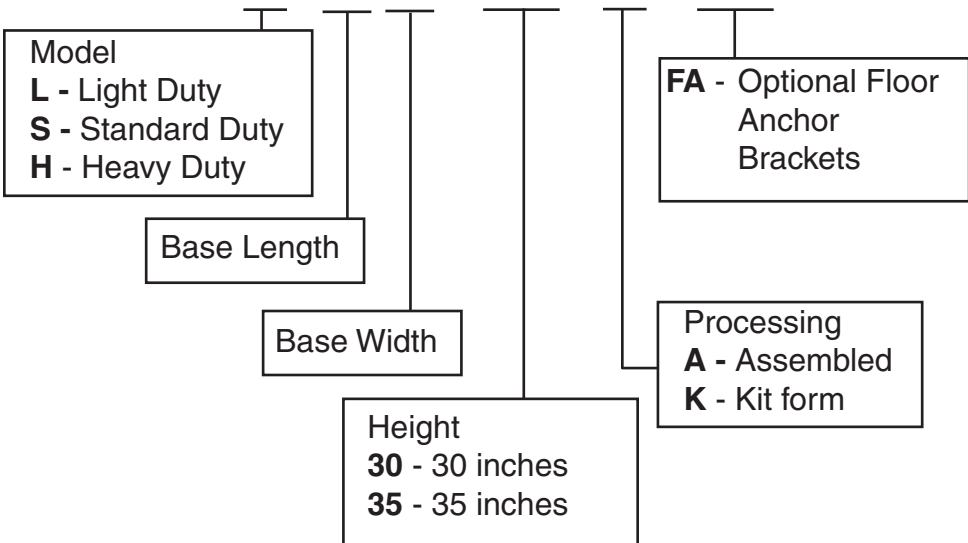
Length (L)	Width (W)			Max Load
	24"	30"	36"	
36"	S-3624	S-3630	S-3636	2800
48"	S-4824	S-4830	S-4836	2000
60"	S-6024	S-6030	S-6036	1720
72"	S-7224	S-7230	S-7236	1480

Model H Heavy Duty

Length (L)	Width (W)			Max Load
	24"	30"	36"	
36"	H-3624	H-3630	H-3636	5400
48"	H-4824	H-4830	H-4836	3800
60"	H-6024	H-6030	H-6036	3300
72"	H-7224	H-7230	H-7236	3000

Standard Base Ordering Example

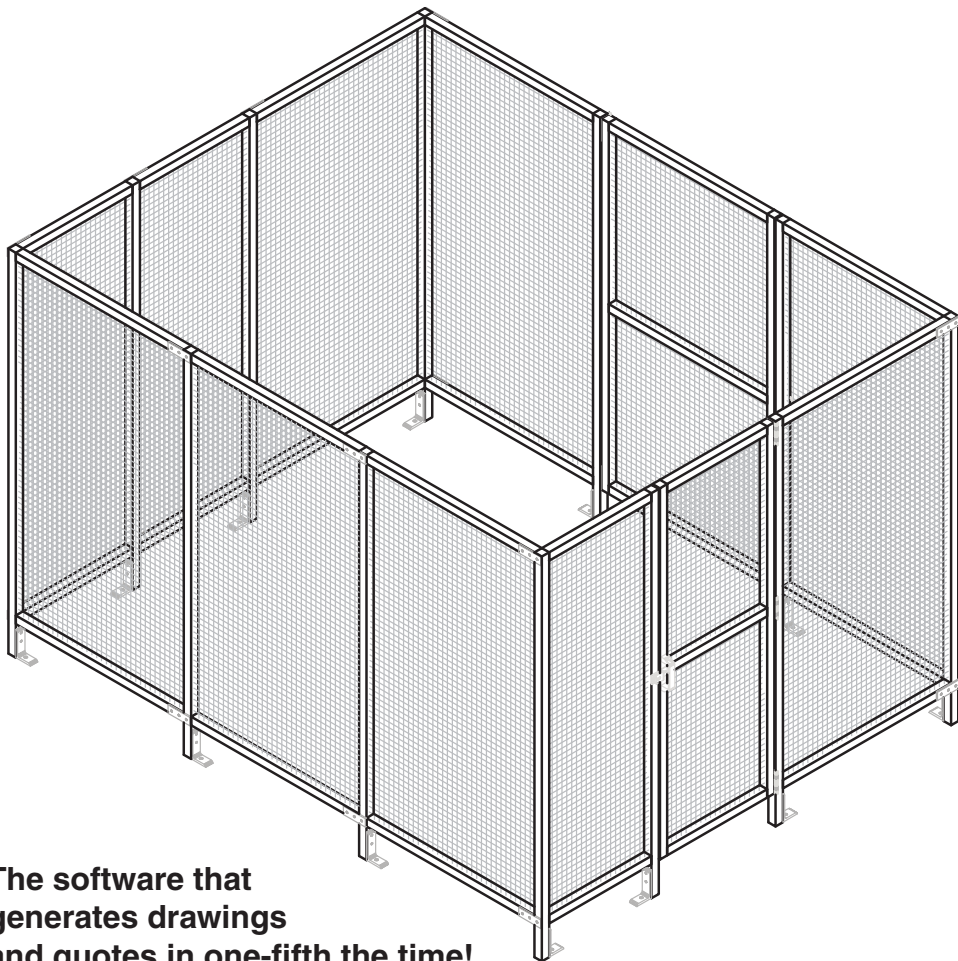
S - 4824 - 30 - A - FA



Custom sizes are available - consult the factory

FrameQuoter

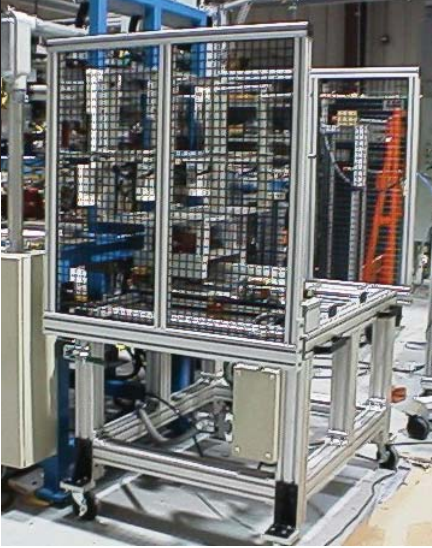
Aluminum Extrusion Design Software



**The software that
generates drawings
and quotes in one-fifth the time!**

FrameQuoter is the most advanced and easiest to use aluminum profile design and quote software available today! It will enable you to quickly and easily produce professional looking 3D drawings with bills of materials and quotations that are detailed and accurate, 5 times faster than doing them by hand! **FrameQuoter** will increase your efficiency and confidence.

You Can Design This Machine Guard In 2 ½ Hours...



Or In Just 14 Minutes.

Try Our **FREE Design Software And See For Yourself.**

Designing a machine guard, frame or enclosure can be a very time-consuming and frustrating experience. Any errors, omissions or miscalculations can result in a structure which is cumbersome to use, doesn't fit the application, or is totally useless. Our **FrameQuoter** design software eliminates these problems, and helps you create the ideal structure, quickly and easily.

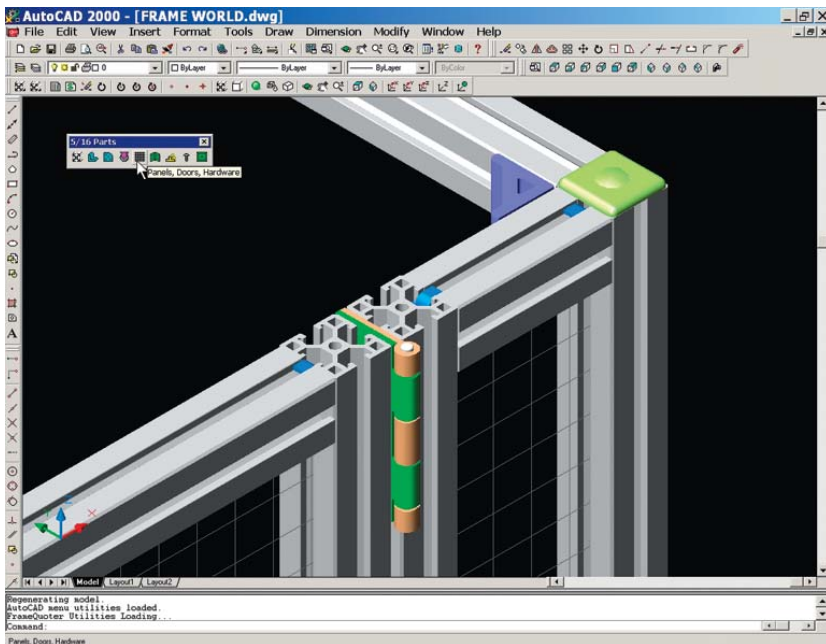
FrameQuoter Software Decreases Design Time By Up To 92% And Eliminates Errors, Omissions and Hassles

Actual field studies have shown that our **FrameQuoter** design software will drastically reduce the amount of time required to design a machine guard or frame. And because we have simplified and/or automated many functions ("snap-in-place" corner brackets, automatically includes necessary machining, nuts, bolts, etc.), you will have less errors, mistakes or hassles. You can be assured that every structure you design will be right the first time, every time.

Easy To Learn, Easy To Use

This was the #1 design criteria. With even a basic knowledge of AutoCAD, you will quickly master **FrameQuoter**. We have shortened and/or eliminated many of the steps necessary with other design software packages by using simple icons and drop-down menus. A complete Bill of Materials is also only one mouse click away.

Incredible Life-Like Full-Color Graphics



FrameQuoter is the only design software package that enables you to develop wireframe, hidden and shaded drawings in 2D and 3D, in both simplified and detailed views. The “Detailed-Shaded” view shows you the final assembly with incredible detail & clarity:

The Possibilities Are Endless

If you can build it with aluminum extrusions, you can design it with **FrameQuoter**. People have designed wall racks, workstations, tables, machine bases, machining stations, clean room enclosures, tool fixtures, and much more. Unlike other design packages, **FrameQuoter** enables you to employ every FRAME-WORLD extrusion, and every bracket and accessory into any drawing. You can even add non-FRAME-WORLD parts to the Bill of Materials!

Solidworks Library Available

FRAME-WORLD offers a full Solidworks (TM) parasolid library of all our our products. Additional CAD formats of our part library, including .igs, .dwg, and .dxf, are also available. All CAD files are available for download at www.frame-world.com

Metric Sizes for FRAME-WORLD T-slot Extrusions and Accessories

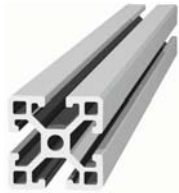


Part No.	Extrusion Size		Fastener Size	
	Inches	Nearest Metric	Inches	Metric
EX-1	1.5" x 1.5"	38 x 38 mm	5/16-18	m8
EX-2	1.5" x 3"	38 x 76 mm	5/16-18	m8
EX-3	3" x 3"	76 x 76 mm	5/16-18	m8
EX-6	1.5" x 1.5"	38 x 38 mm	5/16-18	m8
EX-7	1.5" corner	38 x 38 mm	5/16-18	m8
EX-8	1.5" round	38 x 38 mm	5/16-18	m8
EX-9	1.5" x 1.5"	38 x 38 mm	5/16-18	m8
EX-11	1" x 1"	25 x 25 mm	1/4-20	m6
EX-12	1" x 2"	25 x 50 mm	1/4-20	m6
EX-13	1" x 3"	25 x 76 mm	1/4-20	m6
EX-22	2" x 2"	50 x 50 mm	1/4-20	m6
EX-24	2.0" x 4.0"	50 x 100 mm	1/4-20	m6
EX-26	1.5" x 4.5"	38 x 174 mm	5/16-18	m8
EX-36	3" x 6"	76 x 152 mm	5/16-18	m8
EX-37	3.0" x 3.0"	76 x 76 mm	5/16-18	m8
EX-45HD	4.5" x 4.5"	114 x 114 mm	5/16-18	m8
EX-52	1" x 1.5"	25 x 38 mm	5/16-18	m8
EX-54	1" x 1.5"	25 x 38 mm	5/16-18	m8
EX-60	2.38" x 2.38"	60 x 60 mm	5/16-18	m8
EX-61	1.5" x 1.5"	38 x 38 mm	5/16-18	m8
EX-63	1.5" x 1.5"	38 x 38 mm	5/16-18	m8
EX-64	1.5" x 1.5"	38 x 38 mm	5/16-18	m8
EX-65	1.5" x 1.5"	38 x 38 mm	5/16-18	m8
EX-66	1.5" x 3"	38 x 76 mm	5/16-18	m8
EX-67	1.5" x 3"	38 x 76 mm	5/16-18	m8
EX-68	1.5" x 3"	38 x 76 mm	5/16-18	m8
EX-69	1.5" x 3"	38 x 76 mm	5/16-18	m8
EX-70	1" x 1"	25 x 25 mm	1/4-20	m6
EX-71	1" x 1"	25 x 25 mm	1/4-20	m6
EX-72	1" x 1"	25 x 25 mm	1/4-20	m6
EX-73	1" x 1"	25 x 25 mm	1/4-20	m6
EX-82	1.5" angle	38 x 38 mm	5/16-18	m8
EX-83	1.5" x 3.0"	38 x 76 mm	5/16-18	m8

5/16" SLOTS



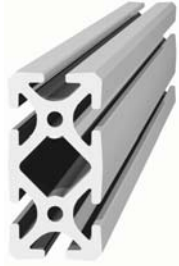
EX-1
1.5" x 1.5"



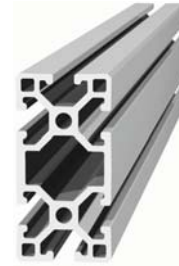
EX-6
1.5" x 1.5"



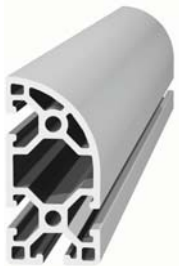
EX-9
1.5" x 1.5"



EX-2
1.5" x 3.0"



EX-67
1.5" x 3.0"



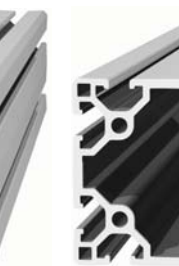
EX-83
1.5" x 3.0"



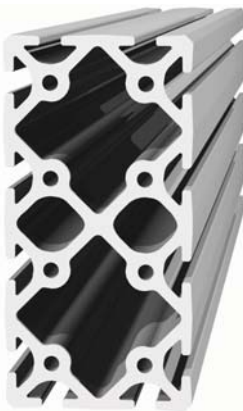
EX-26
1.5" x 4.5"



EX-3
3.0" x 3.0"



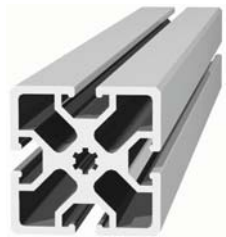
EX-37
3.0" x 3.0"



EX-36
3.0" x 6.0"



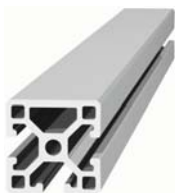
EX-45HD
4.5" x 4.5"



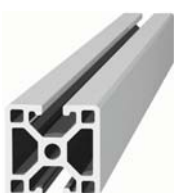
EX-60
2.38" x 2.38"

5/16" SLOTS

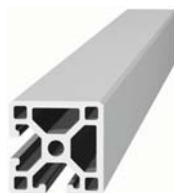
SMOOTH-Series



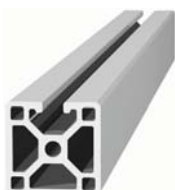
EX-63
1.5" x 1.5"



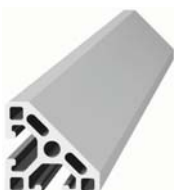
EX-64
1.5" x 1.5"



EX-65
1.5" x 1.5"



EX-61
1.5" x 1.5"



EX-7
1.5" x 1.5"



EX-8
1.5" x 1.5"



EX-68
1.5" x 3.0"



EX-66
1.5" x 3.0"



EX-69
1.5" x 3.0"



EX-52
1.0" x 1.5"



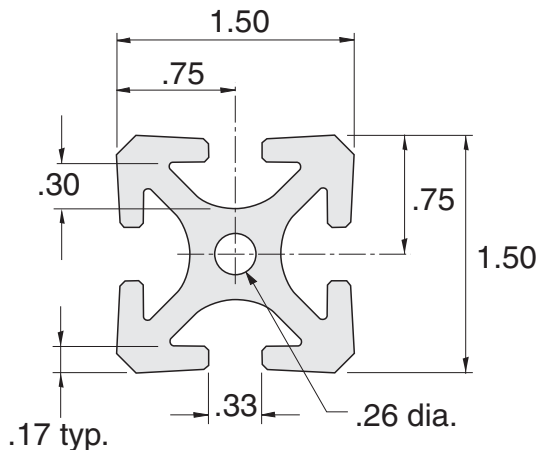
EX-54
1.0" x 1.5"



EX-82
1.5" x 1.5"
45 deg.

5/16" SLOTS

EX-1



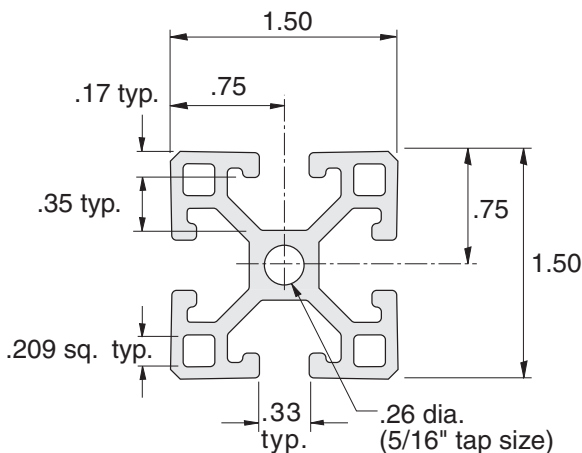
- Finish = Clear anodized
- Material = 6105-T5 Aluminum
- Est. Area = 1.164 Sq. In.
- Weight/ft = 1.4522 lbs.
- 96", 144.25", 192.63" Lengths standard.

Section Properties:

Moment of Intertia in ⁴	.242
Section modulus in ³	.323

5/16" SLOTS

EX-6

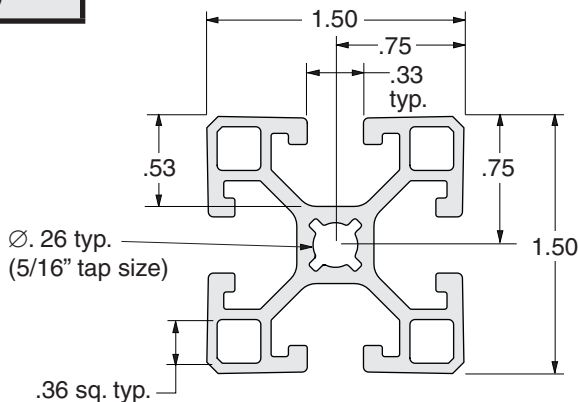


- Finish = Clear anodized
- Material = 6105-T5 Aluminum
- Est. Area = .878 Sq. In.
- Weight/ft = 1.029 lbs.
- 96", 144.25", 192.63" Lengths standard.

Section Properties:

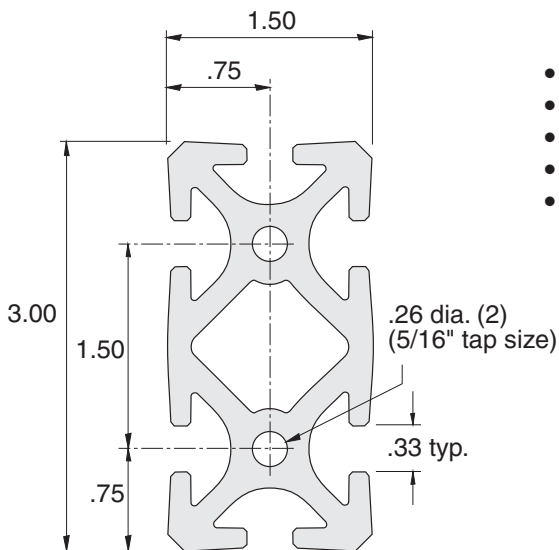
Moment of Intertia in ⁴	.199
Section modulus in ³	.265

EX-9



- 5/16" Slot Size
- Weight/Ft = .85 lbs.
- Est. Area = .73 Sq. In.
- Finish = Clear Anodized
- Material = 6105-T5 Aluminum
- 96", 192.63" Standard Lengths

EX-2



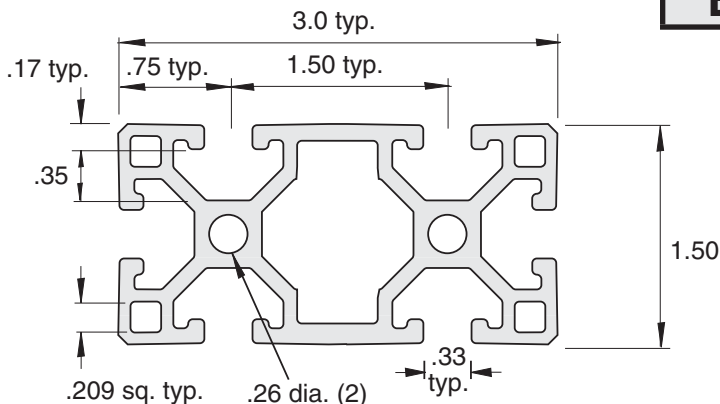
- Finish = Clear anodized
- Material = 6105-T5 Aluminum
- Est. Area = 2.051 Sq. In.
- Weight/ft = 2.471 lbs.
- 96", 144.25", 192.63" Lengths standard.

Section Properties:

Moment of Intertia in ⁴	1.76	.481
Section modulus in ³	1.173	.641



EX-67



- Finish = Clear anodized
- Material = 6105-T5 Aluminum
- Est. Area = 1.569 Sq. In.
- Weight/ft = 1.845 lbs
- 96", 144.25", 192.63" Lengths standard.

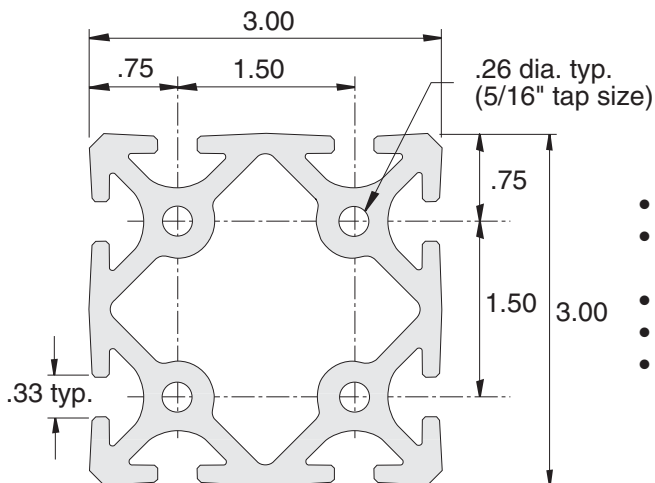
Section Properties:

Moment of Intertia in ⁴	1.376	0.387
Section modulus in ³	0.917	0.516



5/16" SLOTS

EX-3



- Finish = Clear anodized
- Material = 6105-T5 Aluminum
- Est. Area = 3.188 Sq. In.
- Weight/ft = 4.037 lbs.
- 96", 144.25", 192.63" Lengths standard.

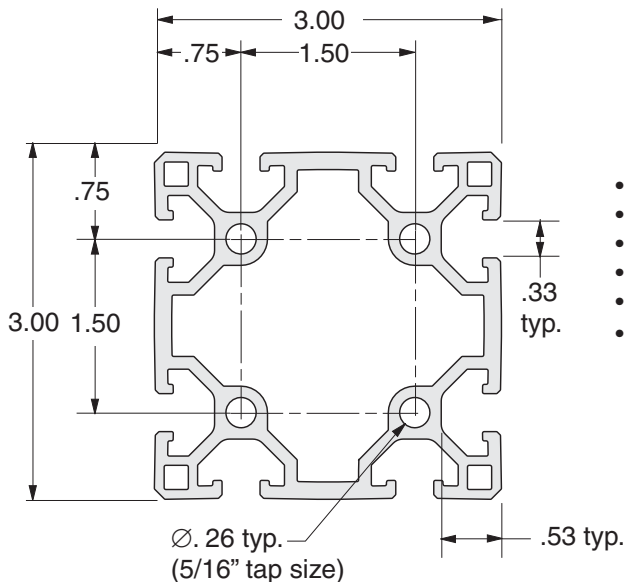
Section Properties:

Moment of Intertia in ⁴	3.26
Section modulus in ³	2.173



EX-37

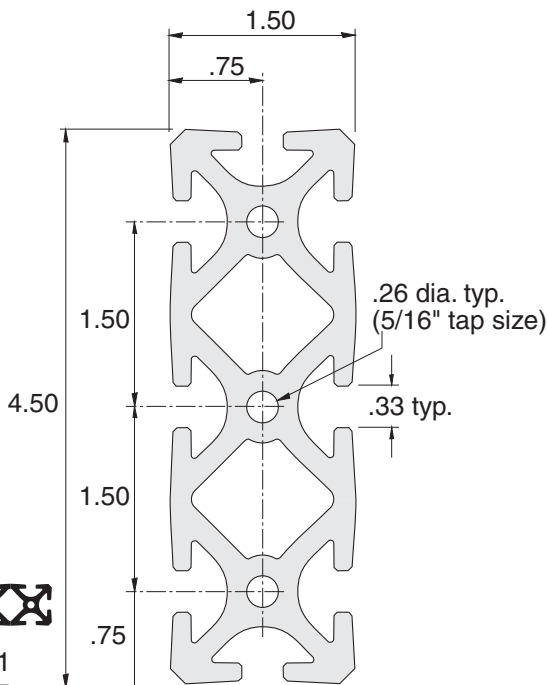
5/16" SLOTS



- 5/16" Slot Size
- Weight/Ft = 2.81 lbs.
- Est. Area = 2.35 Sq. In.
- Finish = Clear Anodized
- Material = 6105-T5 Aluminum
- 96", 192.63" Standard Lengths

EX-26

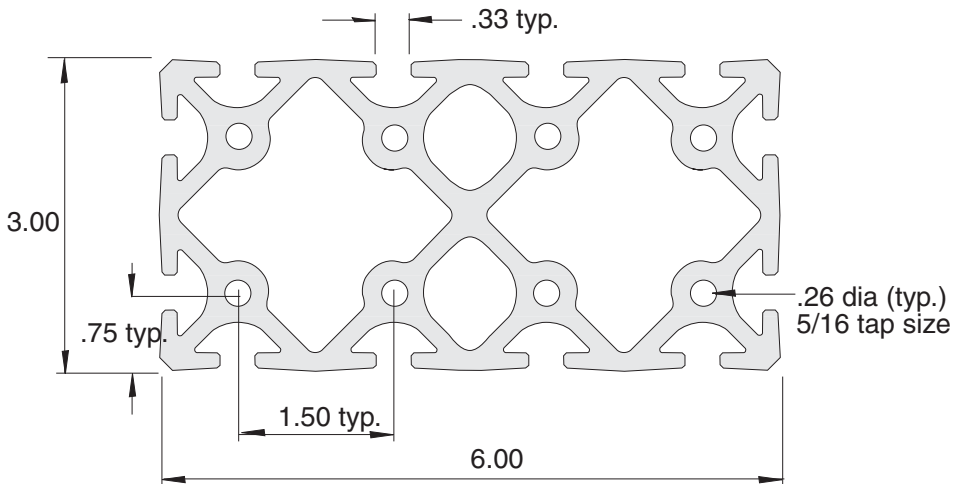
- Finish = Clear anodized
- Material = 6105-T5 Aluminum
- Est. Area = 3.02 Sq. In.
- Weight/ft = 3.552 lbs.
- 96", 192.63" Lengths standard.



Section Properties:

Moment of Intertia in ⁴	5.6781	.6911
Section modulus in ³	2.5236	.9215

EX-36



- Finish = Clear anodized
- Material = 6063-T6 Aluminum
- Est. Area = 5.924 Sq. In.
- Weight/ft = 6.967 lbs.
- 96", 192.63"
- Lengths standard.

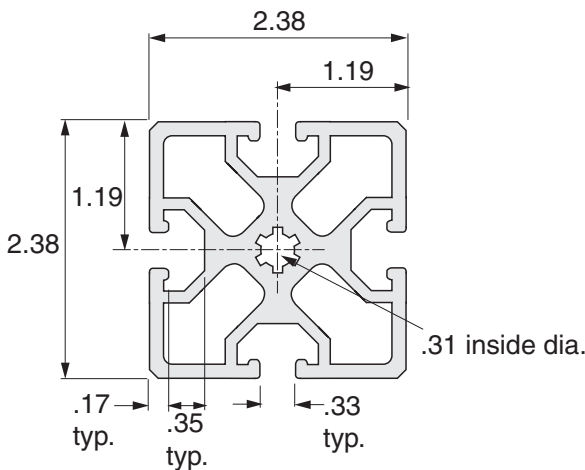
Section Properties:

Moment of Intertia in ⁴	22.05	6.41
Section modulus in ³	7.35	4.28



5/16" SLOTS

EX-60



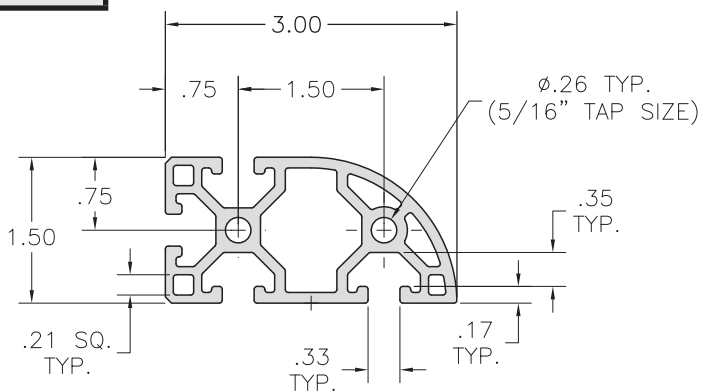
- Finish = Clear anodized
- Material = 6105-T6 Aluminum
- Est. Area = 2.041 Sq. In.
- Weight/ft = 2.400 lbs
- 96", 192.63" Lengths standard.

Section Properties:

Moment of Intertia in ⁴	1.021
Section modulus in ³	0.860



EX-83



5/16" SLOTS

Finish: Clear Anodize
 Material: 6105-T6 Aluminum
 Est. Area: 1.464 Sq In.
 Wt./Ft: 1.722 lbs.
 Std. Length: 144"

Section Properties:
 Moment of Inertia in⁴
 Section Modulus in³

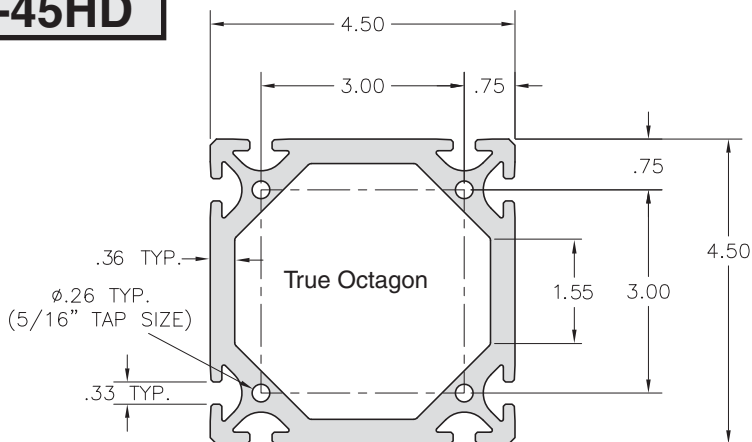


1.229
 0.779



0.338
 0.424

EX-45HD



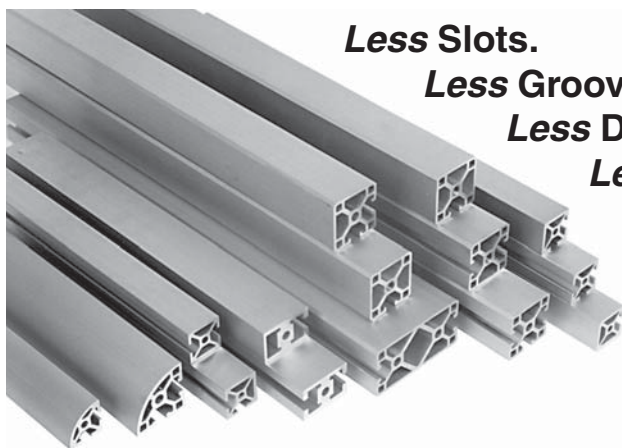
Finish: Mill Finish
 Material: 6105-T6 Aluminum
 Est. Area: 6.330 Sq In.
 Wt./Ft: 7.445 lbs.
 Std. Length: 192.63"
 Special cut charge required for non-standard length (EM-1-EX45)

Section Properties:
 Moment of Inertia in⁴
 Section Modulus in³



16.4
 6.56

SMOOTH-Series Aluminum Profiles Give You *Less*:



Less Slots.

Less Grooves.

Less Dirt.

Less Germs.

Less Maintenance.

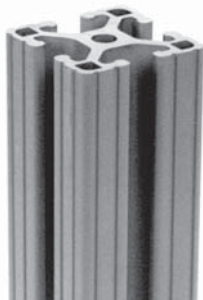
**And Less
Headaches.**

For Less Money.

5/16" SLOTS

Aluminum extrusions are the ideal choice when building protective machine guards, machine frames or enclosures for any industrial environment. Unfortunately, traditional aluminum profiles are also a breeding ground for dirt, oil, grease, mold, mildew, germs and bacteria to accumulate and grow. They have up to 22 places to hide (3 exposed T-slots and 19 grooves, per length of extrusion). This makes maintenance and cleaning difficult, ongoing and very expensive. Health and safety issues are a huge concern.

How do you stop the maintenance nightmare? Our **SMOOTH-Series** profiles eliminate all the dirt catching grooves, and provide you only the number of T-slots required for your assembly. The **SMOOTH surfaces** wipe clean easily, without the toothbrush-scrubbing, knuckle-breaking cleaning required for exposed slots and grooves. Dirt, germs and other contaminants don't have a place to hide.



Traditional Aluminum
Extrusion
4 Slots & 16 Grooves



FRAME-WORLD's
SMOOTH-Series
1 Slot, NO Grooves

5/16" SLOTS

Suitable for clean rooms, tough enough for steel mills
SMOOTH-Series profiles are ideal for any manufacturing facility where dirt, germs, mold, mildew and bacteria build-up can result in critical health and safety issues:

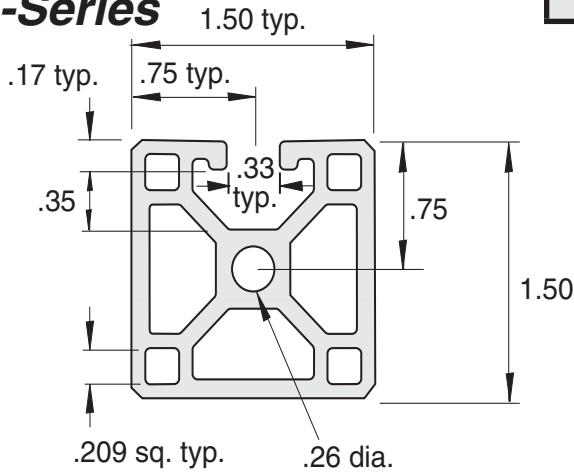
- Clean Rooms
- Food & Beverage
- Packaging
- Pharmaceutical
- Medical and Biotechnology
- Electronics

The same *SMOOTH-Series* profiles can also withstand harsh industrial environments where dirt, oil, grease and chemicals are a daily fact of life.

In stock and available for immediate delivery.

This is the only full range of truly smooth profiles in U.S. fractional sizes on the market. All models and versions are available for same-day shipment. For your convenience, *SMOOTH-Series* profiles are also available as kits, engineered sub-assemblies, or as complete turnkey solutions (machine guards, frames, enclosures, etc.).

SMOOTH-Series



- Finish = Clear anodized
- Material = 6105-T5 Aluminum
- Est. Area = .866 Sq. In.
- Weight/ft = 1.018 lbs
- 96", 144.25", 192.63" Lengths standard.

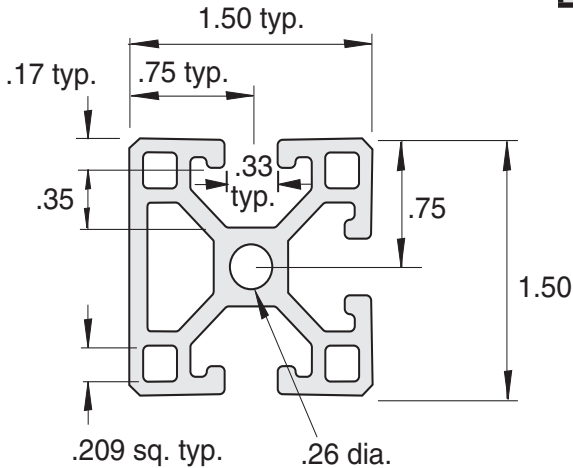
Section Properties:

Moment of Intertia in ⁴	0.200	0.210
Section modulus in ³	0.267	0.276



5/16" SLOTS

SMOOTH-Series



- Finish = Clear anodized
- Material = 6105-T5 Aluminum
- Est. Area = .833 Sq. In.
- Weight/ft = .980 lbs.
- 96", 144.25", 192.63" Lengths standard.

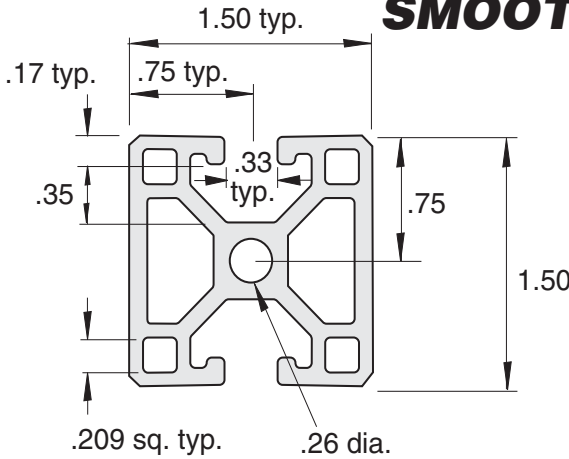
Section Properties:

Moment of Intertia in ⁴	0.195	0.203
Section modulus in ³	0.260	0.267



EX-64

SMOOTH-Series



- Finish = Clear anodized
- Material = 6105-T5 Aluminum
- Est. Area = .849 Sq. In.
- Weight/ft = .998 lbs
- 96", 144.25", 192.63" Lengths standard.

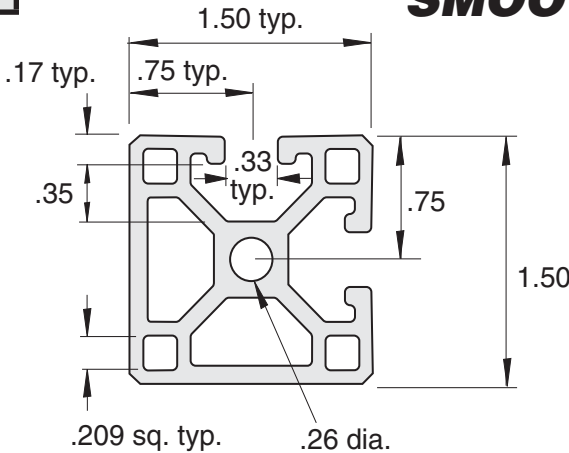


Section Properties:

Moment of Inertia in ⁴	0.190	0.210
Section modulus in ³	0.253	0.280

EX-65

SMOOTH-Series



- Finish = Clear anodized
- Material = 6105-T5 Aluminum
- Est. Area = .849 Sq. In.
- Weight/ft = .998 lbs.
- 96", 144.25", 192.63" Lengths standard.

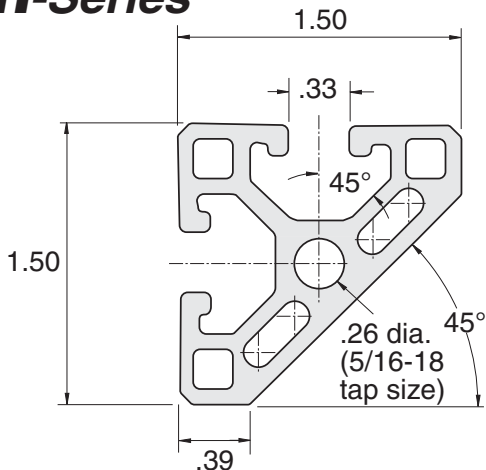


Section Properties:

Moment of Inertia in ⁴	0.200
Section modulus in ³	0.267

5/16" SLOTS

SMOOTH-Series



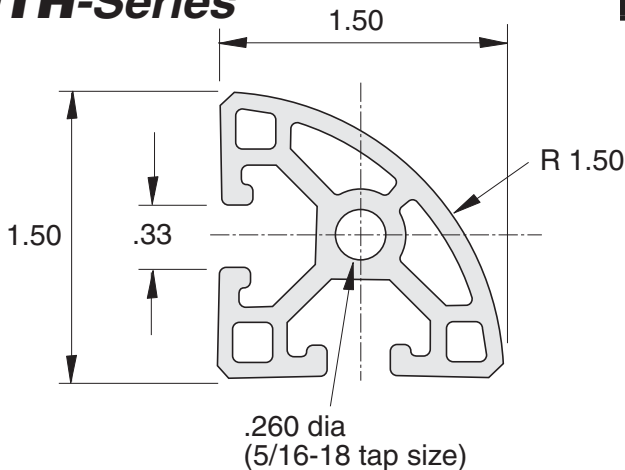
- Finish = Clear anodized
- Material = 6105-T5 Aluminum
- Est. Area = .729 Sq. In.
- Weight/ft = .854 lbs.
- 96", 192.63" Lengths standard.

Section Properties:

Moment of Intertia in ⁴	.137
Section modulus in ³	.195

5/16" SLOTS

SMOOTH-Series

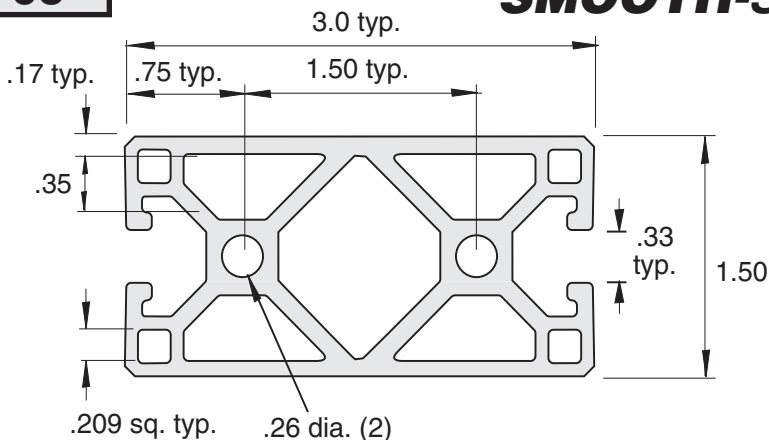


- Finish = Clear anodized
- Material = 6105-T6 Aluminum
- Est. Area = .803 Sq. In.
- Weight/ft = .945 lbs.
- 96", 192.63" Lengths standard.

Section Properties:

Moment of Intertia in ⁴	.156
Section modulus in ³	.188

EX-68



5/16" SLOTS

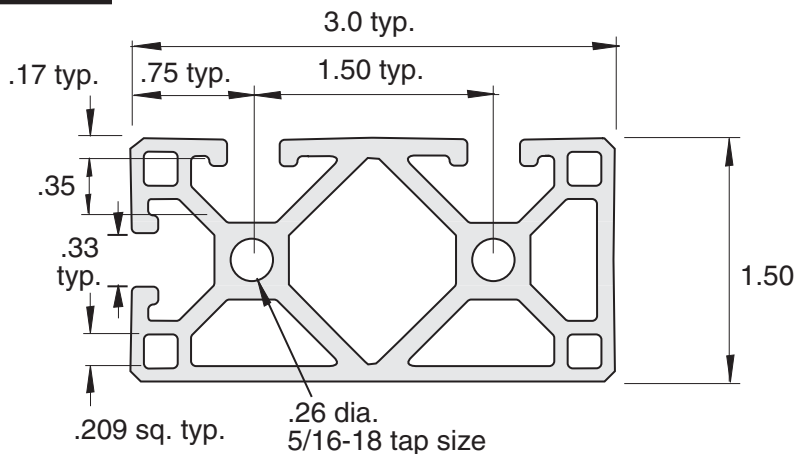
- Finish = Clear anodized
- Material = 6105-T5 Aluminum
- Est. Area = 1.599 Sq. In.
- Weight/ft = 1.880 lbs.
- 96", 144.25", 192.63" Lengths standard.

Section Properties:

Moment of Inertia in ⁴	1.385	0.401
Section modulus in ³	0.923	0.535



EX-66



- Finish = Clear anodized
- Material = 6105-T5 Aluminum
- Est. Area = 1.599 Sq. In.
- Weight/ft = 1.880 lbs.
- 96", 144.25", 192.63" Lengths standard.

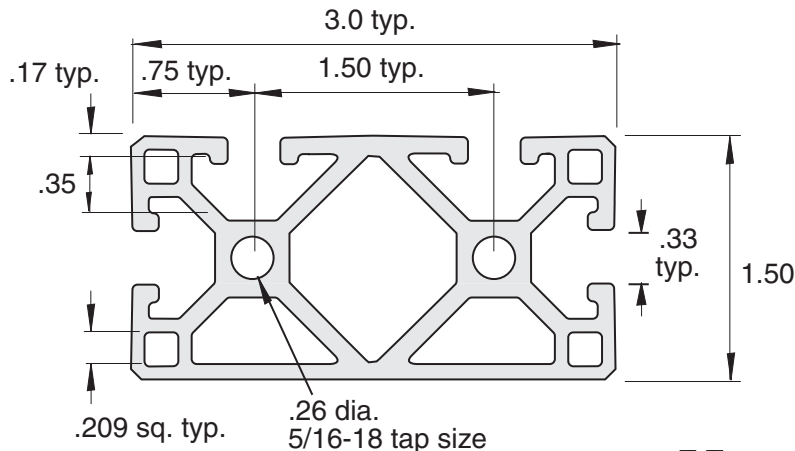
Section Properties:

Moment of Inertia in ⁴	1.385	0.401
Section modulus in ³	0.923	0.535



EX-69

SMOOTH-Series



- Finish = Clear anodized
- Material = 6105-T5 Aluminum
- Est. Area = 1.599 Sq. In.
- Weight/ft = 1.880 lbs.
- 96", 144.25", 192.63" Lengths standard.

Section Properties:

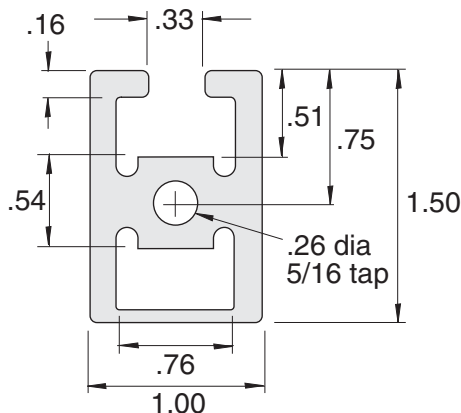
Moment of Intertia in ⁴	1.385	0.401
Section modulus in ³	0.923	0.535



5/16" SLOTS

SMOOTH-Series

EX-52



- Finish = Clear anodized
- Material = 6105-T5 Aluminum
- Est. Area = .818 Sq. In.
- Weight/ft = .954 lbs.
- 96", 144.25", 192.63" Lengths standard.

Section Properties:

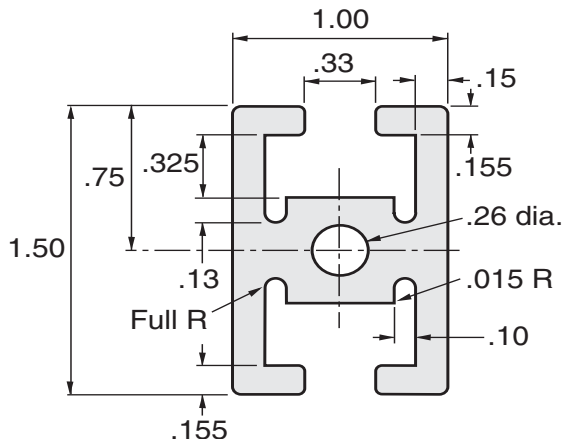
Moment of Intertia in ⁴	0.417	0.099
Section modulus in ³	0.549	0.198



EX-54

SMOOTH-Series

5/16" SLOTS



- Finish = Clear anodized
- Material = 6105-T5 Aluminum
- Est. Area = .840 Sq. In.
- Weight/ft = 1.008 lbs.
- 96", 144.25", 192.63" Lengths standard.

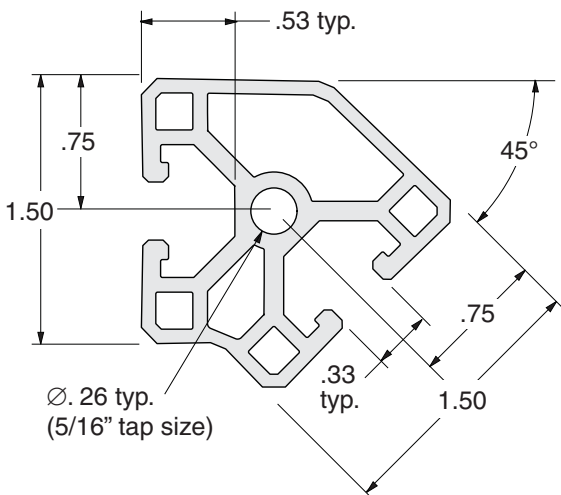


Section Properties:

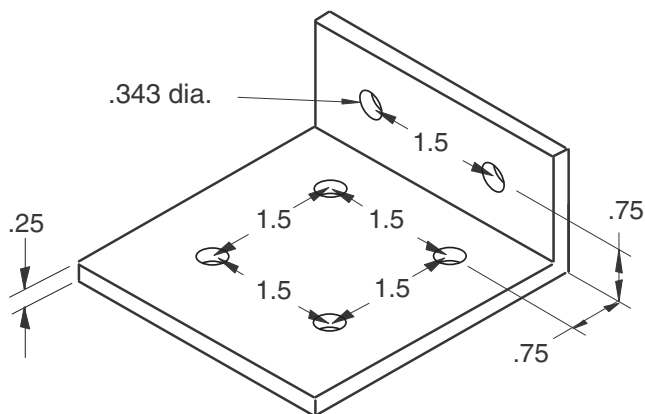
Moment of Intertia in ⁴	0.142	0.100
Section modulus in ³	0.189	0.200

EX-82

SMOOTH-Series



- 5/16" Slot Size
- Weight/Ft = 1.02 lbs.
- Est. Area = .85 Sq. In.
- Finish = Clear Anodized
- Material = 6105-T5 Aluminum
- 96", 192.63" Standard Lengths



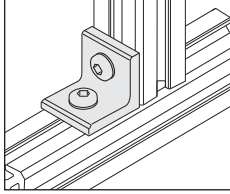
Mounting and connecting brackets have clearance holes for 5/16" (8 mm) dia. connecting screws which are all on .75" and 1.5" centers.

FRAME-WORLD designed fastener brackets, extrusions, hardware and accessories provide an unlimited system for structural design and assembly.

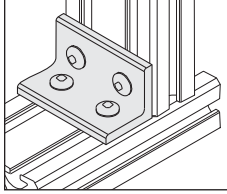
Note: Mounting brackets and plates are made of clear anodized aluminum unless otherwise specified

Recommended torque for 5/16-18 or m8 fasteners is 15 to 20 ft lbs

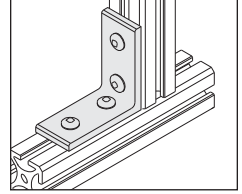
Section C.1
Corner Angle
Brackets



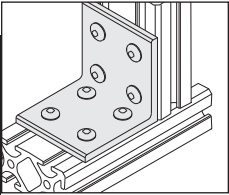
page 56



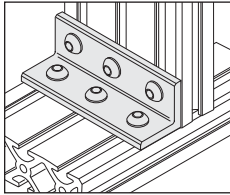
page 57



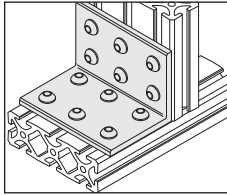
page 58



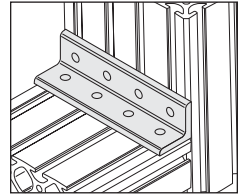
page 59



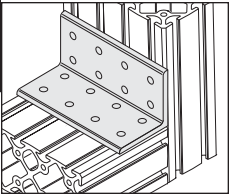
page 60



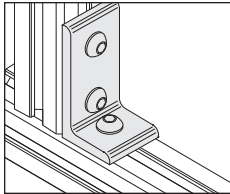
page 61



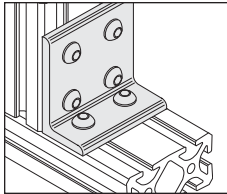
page 62



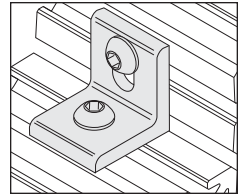
page 63



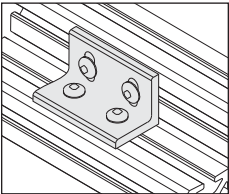
page 64



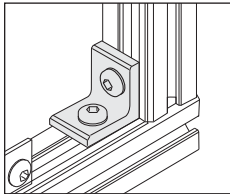
page 65



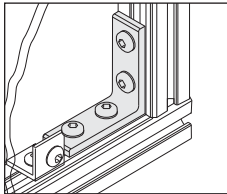
page 66



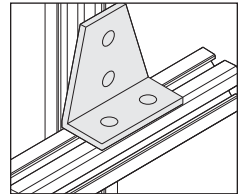
page 67



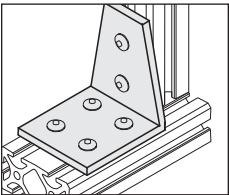
page 68



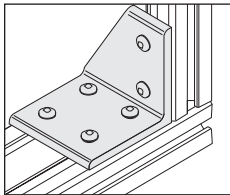
page 69



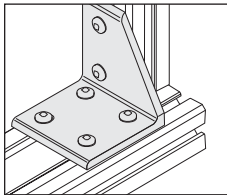
page 70



page 71

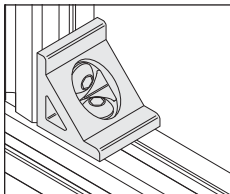


page 72

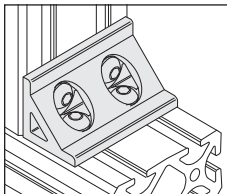


page 73

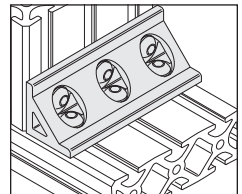
Section C.2
Gusseted
Corner Angle
Brackets



page 74

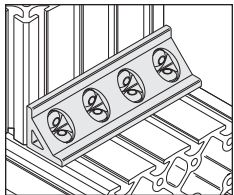


page 75

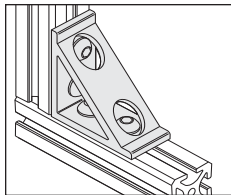


page 76

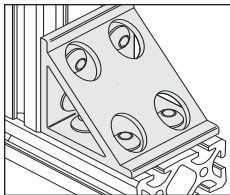
5/16" SLOTS



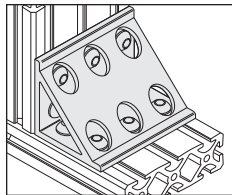
page 77



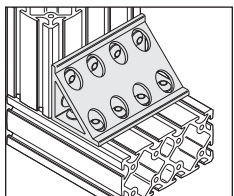
page 78



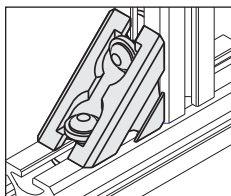
page 79



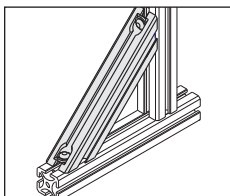
page 80



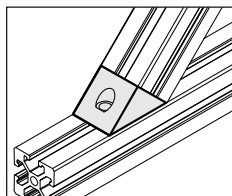
page 81



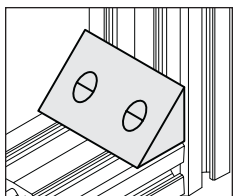
page 82



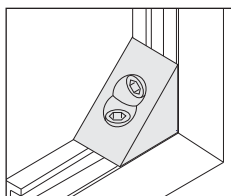
page 83



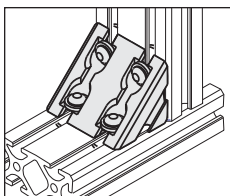
page 84



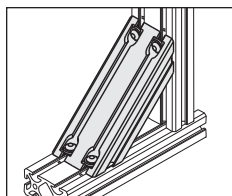
page 85



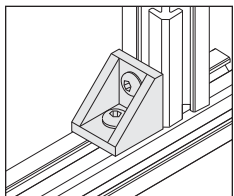
page 86



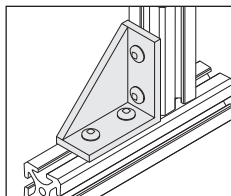
page 87



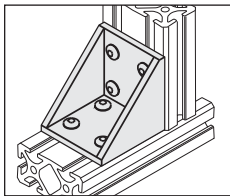
page 88



page 89



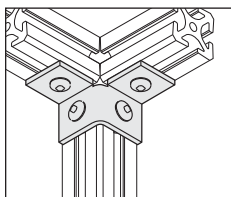
page 90



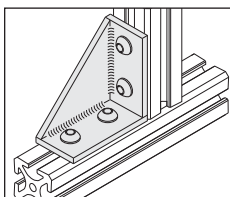
page 91

Section C.3

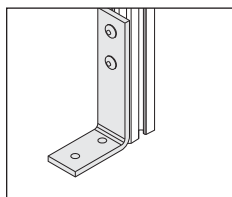
Steel Corner Angle Brackets



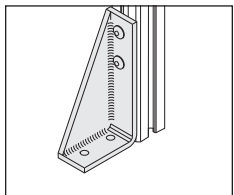
page 94



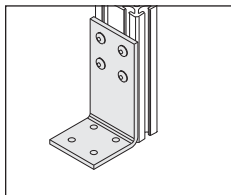
page 95



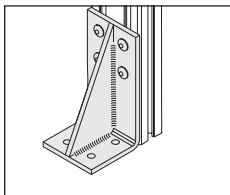
page 96



page 97



page 98

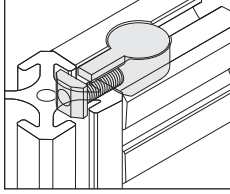


page 99

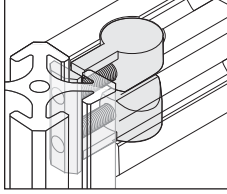
5/16" SLOTS

Section C.4

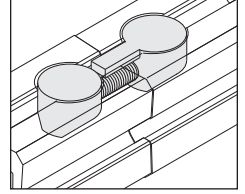
Internal & Adjustable Corner Brackets



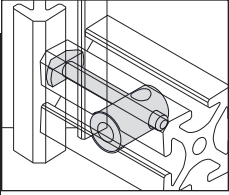
page 98



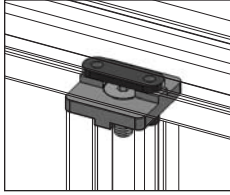
page 99



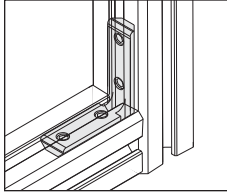
page 100



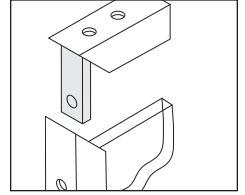
page 101



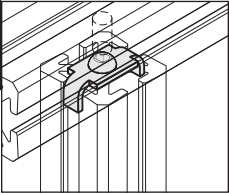
page 102



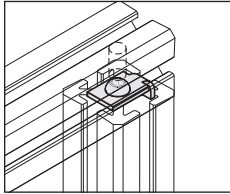
page 103



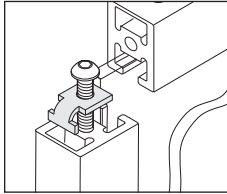
page 104



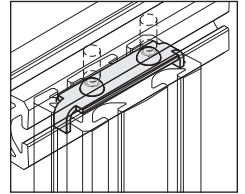
page 105



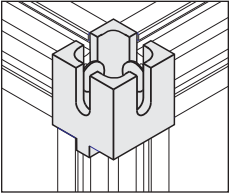
page 106



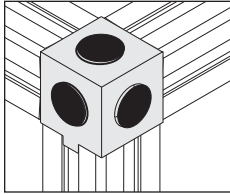
page 107



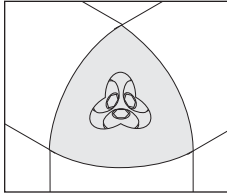
page 108



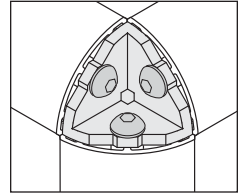
page 109



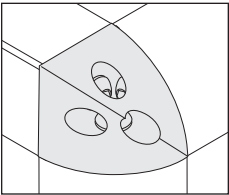
page 110



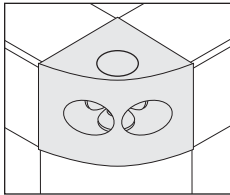
page 111



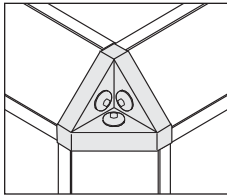
page 112



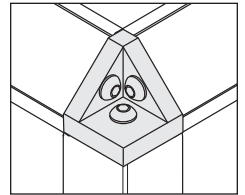
page 113



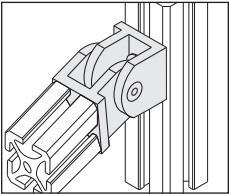
page 114



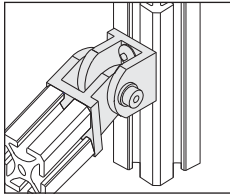
page 115



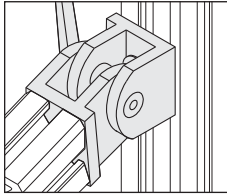
page 116



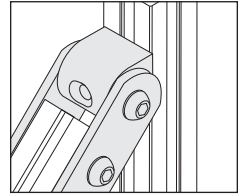
page 117



page 118

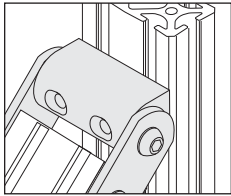


page 119

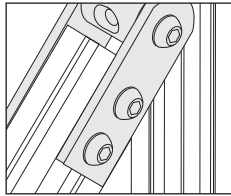


page 120

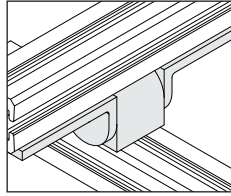
5/16" SLOTS



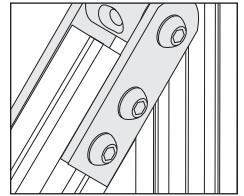
page 121



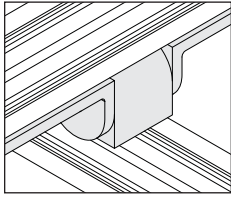
page 122



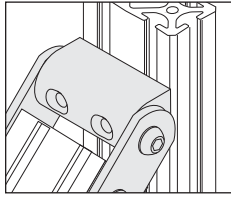
page 123



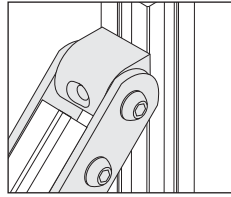
page 124



page 125



page 126

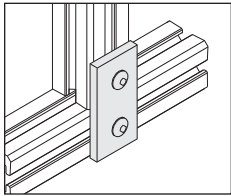


page 127

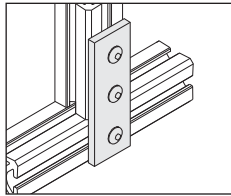
Section C.5

Joining Plates

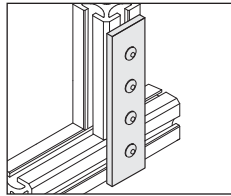
5/16" SLOTS



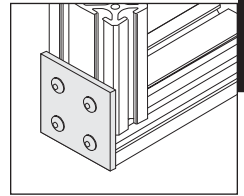
page 128



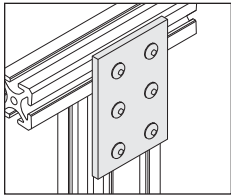
page 129



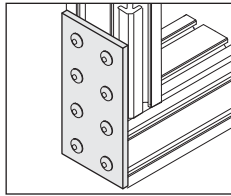
page 130



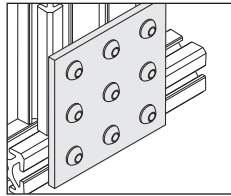
page 131



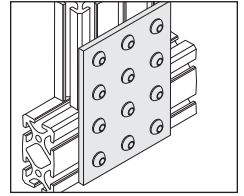
page 132



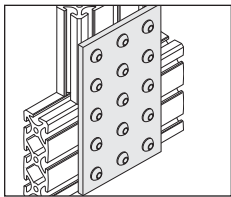
page 133



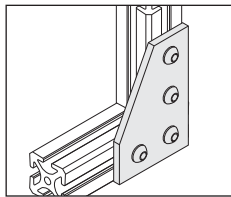
page 134



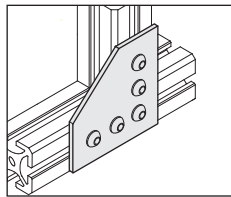
page 135



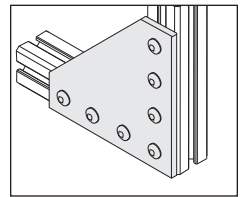
page 136



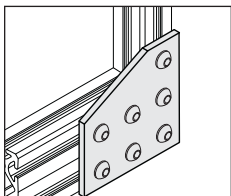
page 137



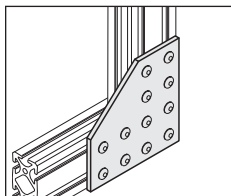
page 138



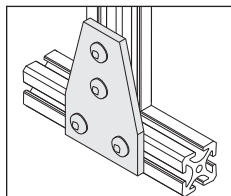
page 139



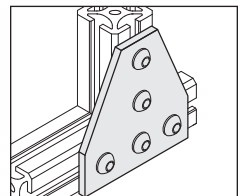
page 140



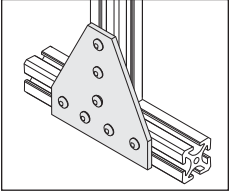
page 141



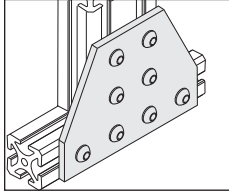
page 142



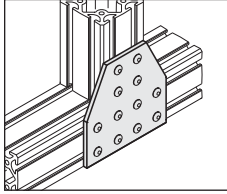
page 143



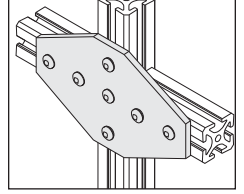
page 144



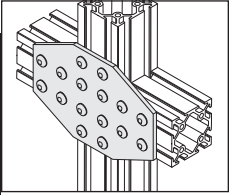
page 145



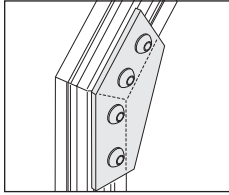
page 146



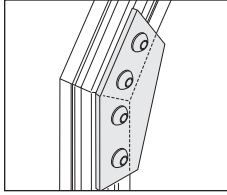
page 147



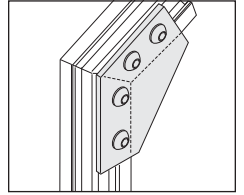
page 148



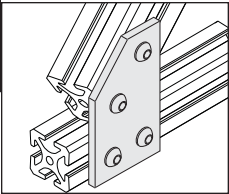
page 149



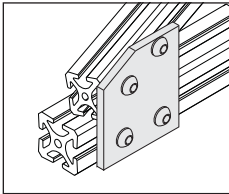
page 150



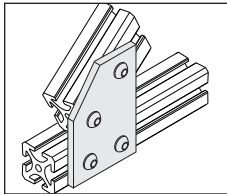
page 151



page 152

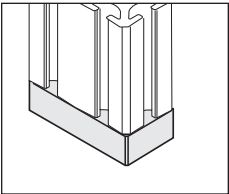


page 153

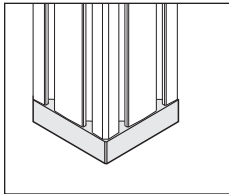


page 154

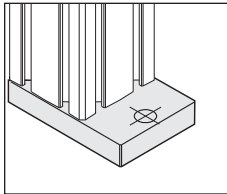
Section C.6
**Floor Mounts,
Casters and
Adjustable
Feet**



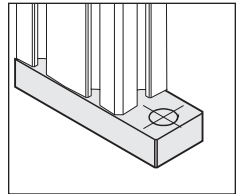
page 155



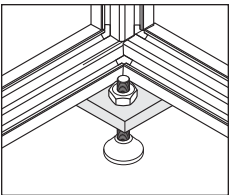
page 156



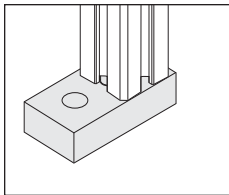
page 157



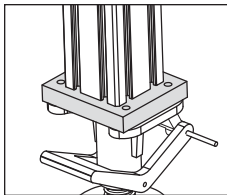
page 158



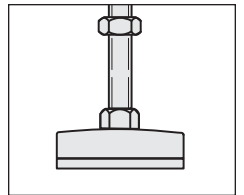
page 159



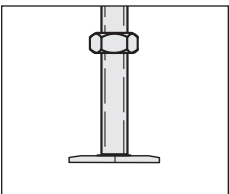
page 160



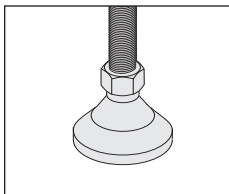
page 161, 162



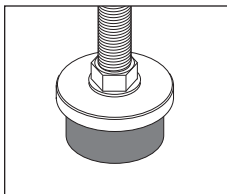
page 163



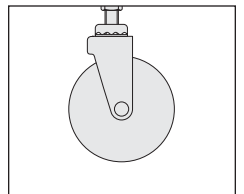
page 164



page 165

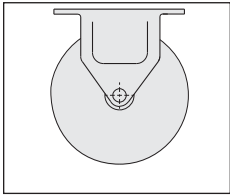


page 166

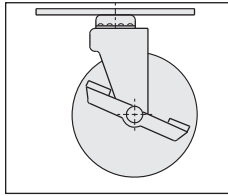


page 167

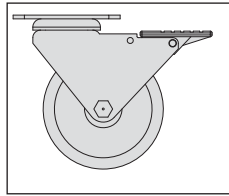
5/16" SLOTS



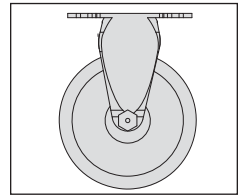
page 168



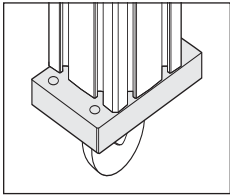
page 169



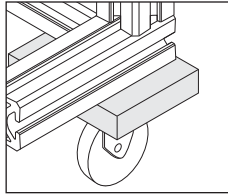
page 170



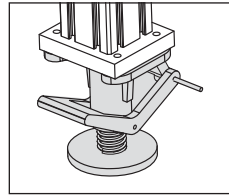
page 171



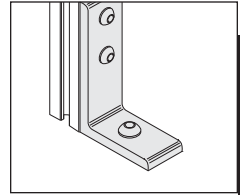
page 172



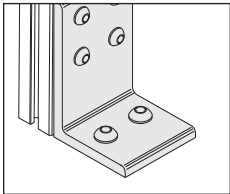
page 173



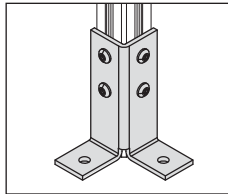
page 174



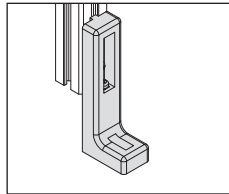
page 175



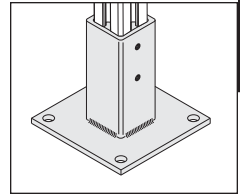
page 176



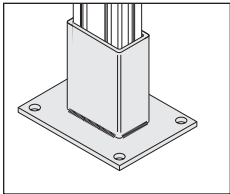
page 177



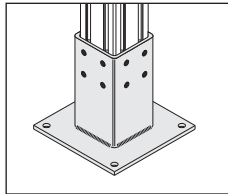
page 178



page 179

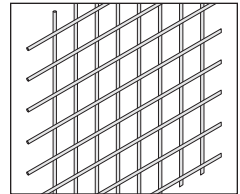


page 180

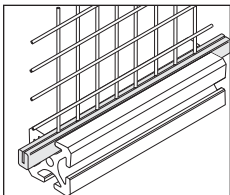


page 181

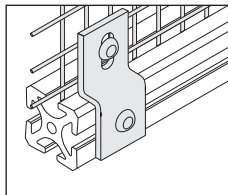
Section C.7
Panels, Doors
and Hardware



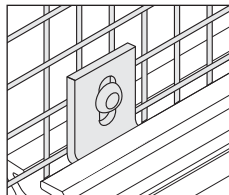
page 182



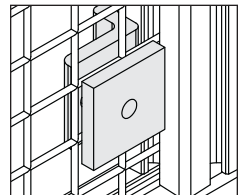
page 183



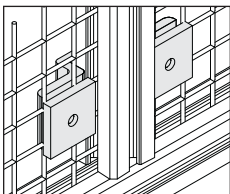
page 184



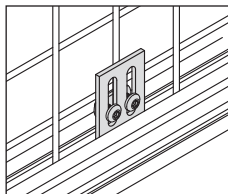
page 185



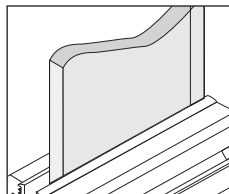
page 186



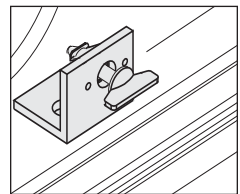
page 187



page 188

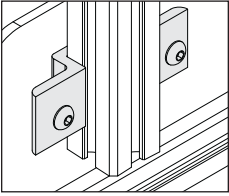


page 189

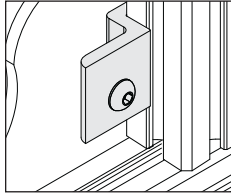


page 190

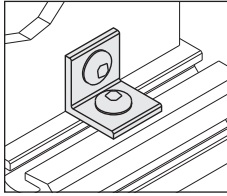
5/16" SLOTS



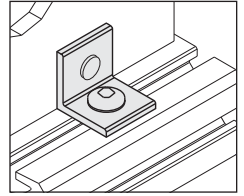
page 191



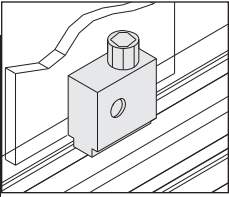
page 192



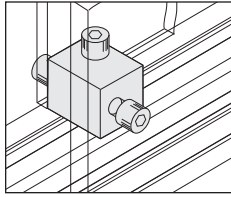
page 193



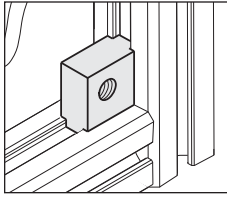
page 194



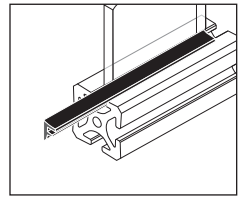
page 195



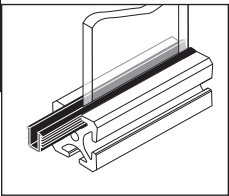
page 196



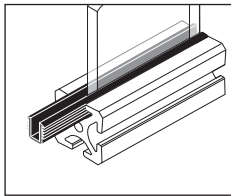
page 197



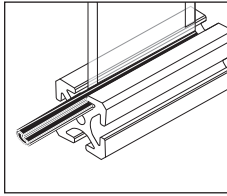
page 198



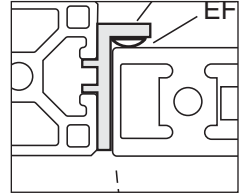
page 199



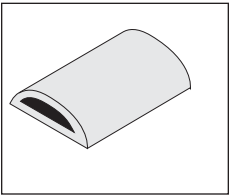
page 200



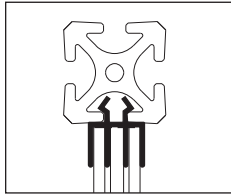
page 201



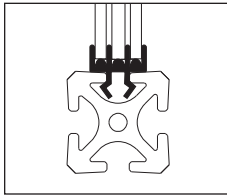
page 202



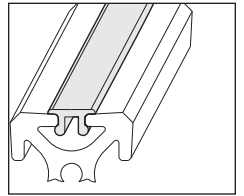
page 202



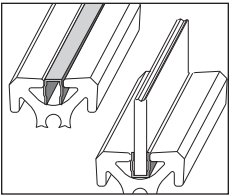
page 203



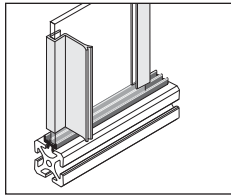
page 204



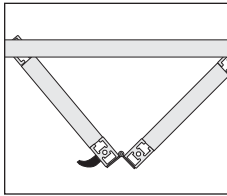
page 205



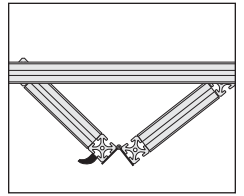
page 206



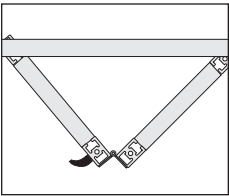
page 207



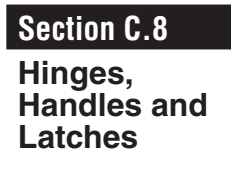
page 208



page 209

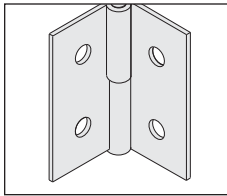


page 210

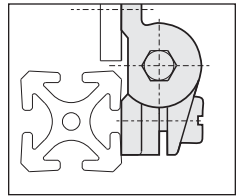


Section C.8

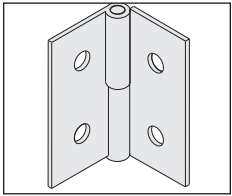
Hinges, Handles and Latches



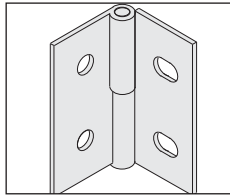
page 211



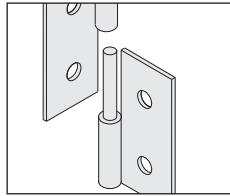
page 212



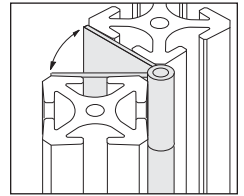
page 213



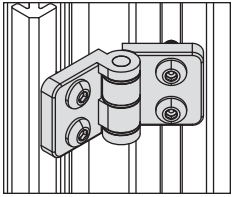
page 214



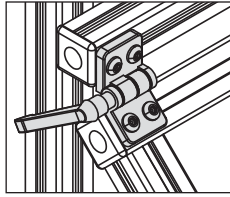
page 215



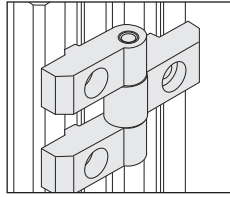
page 216



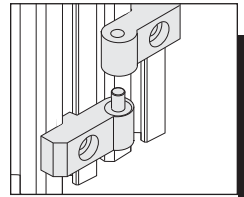
page 217



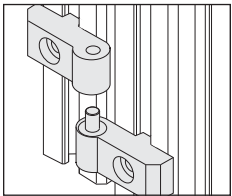
page 218



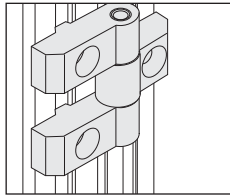
page 219



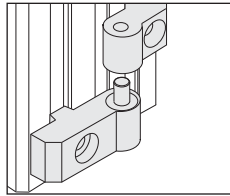
page 220



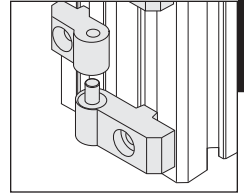
page 221



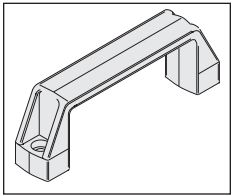
page 222



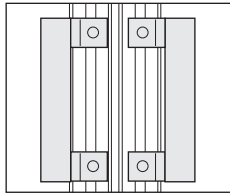
page 223



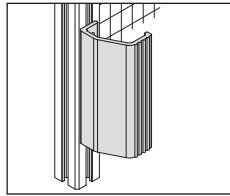
page 224



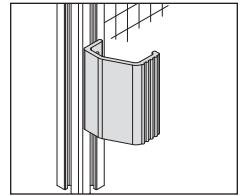
page 225



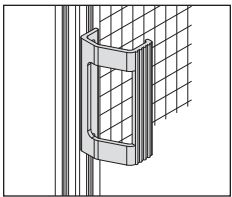
page 226



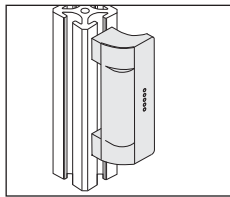
page 227



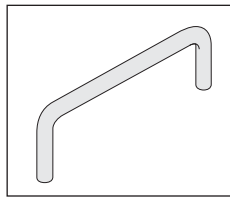
page 228



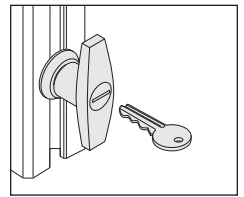
page 229



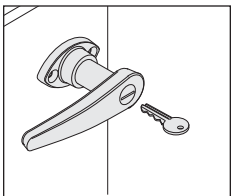
page 230



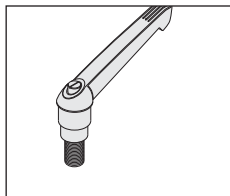
page 231



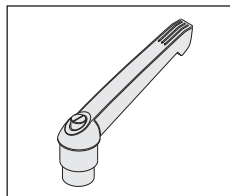
page 232



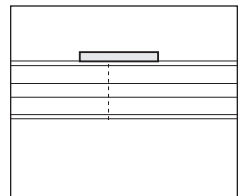
page 233



page 234

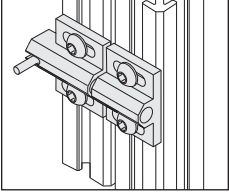


page 235

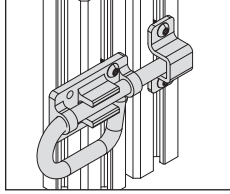


page 236

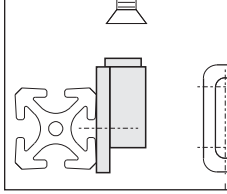
5/16" SLOTS



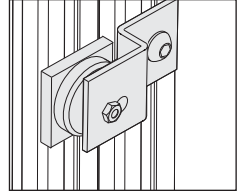
page 237



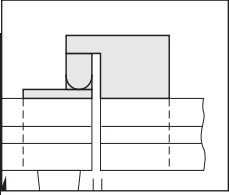
page 238



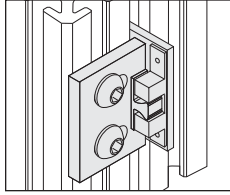
page 239



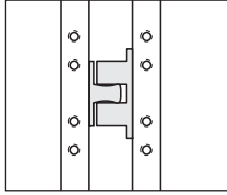
page 240



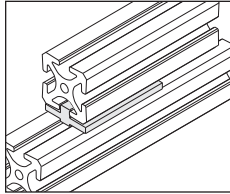
page 241



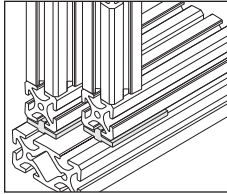
page 242



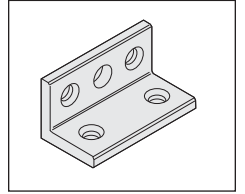
page 243



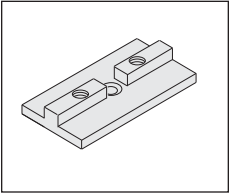
page 244



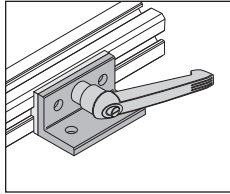
page 245



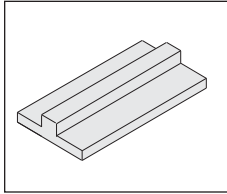
page 246



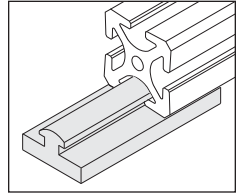
page 247



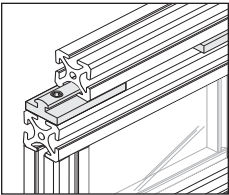
page 248



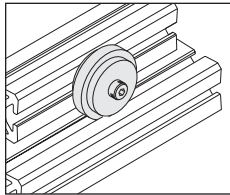
page 249



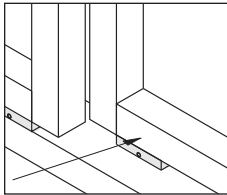
page 250



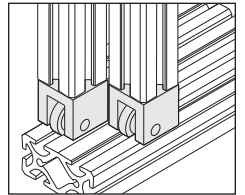
page 251



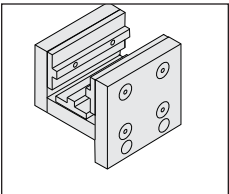
page 252



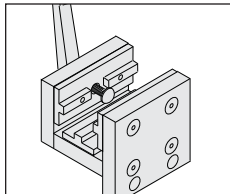
page 253



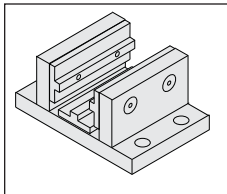
page 254



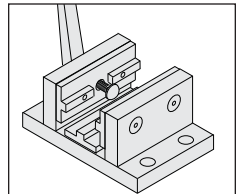
page 255



page 256



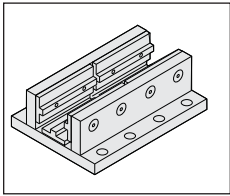
page 257



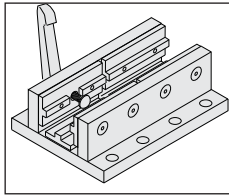
page 258

5/16" SLOTS

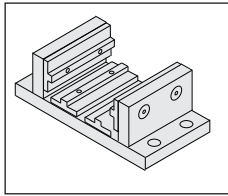
Section C.9 Sliding Components and Bearings



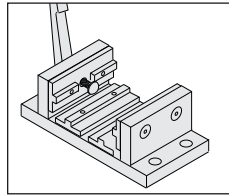
page 259



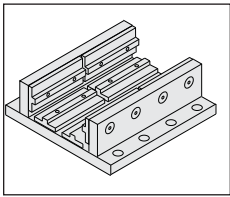
page 260



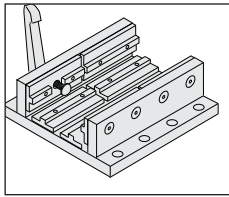
page 261



page 262

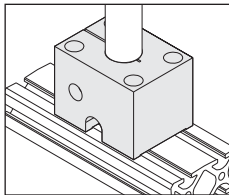


page 263

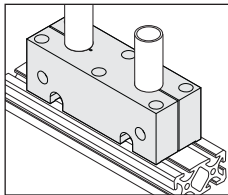


page 264

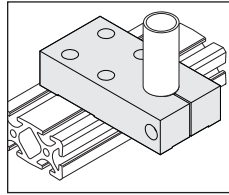
Section C.10 Stanchions



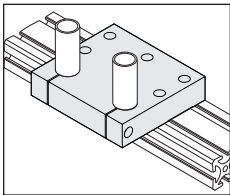
page 266



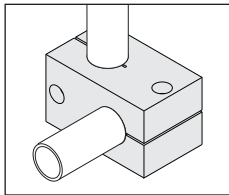
page 267



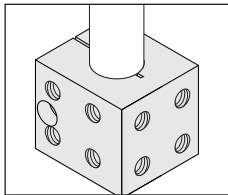
page 268



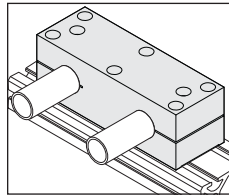
page 269



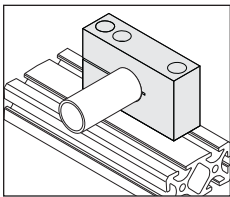
page 270



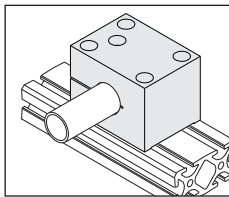
page 271



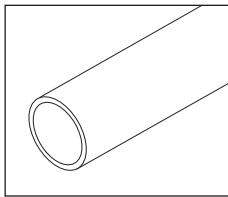
page 272



page 273

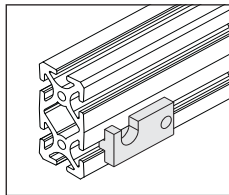


page 274

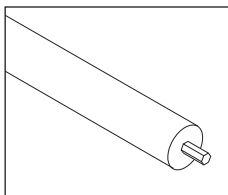


page 275

Section C.11 Conveyor



page 276

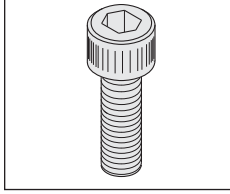


page 277

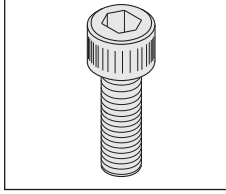
5/16" SLOTS

Section C.12

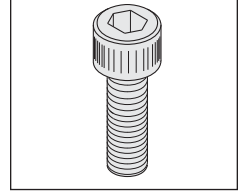
Screws, Nuts & Fasteners



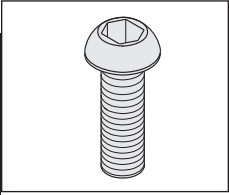
page 278



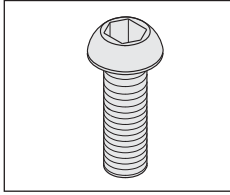
page 278



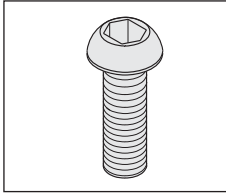
page 279



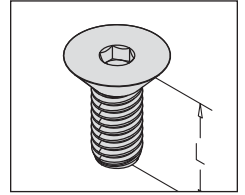
page 279



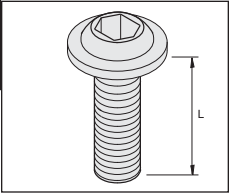
page 280



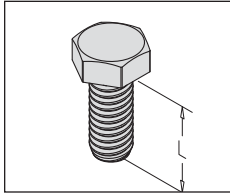
page 280



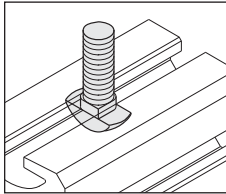
page 281



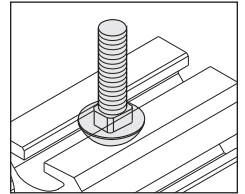
page 281



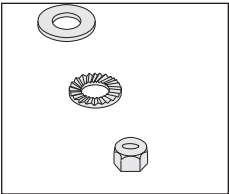
page 282



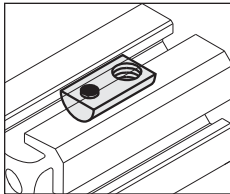
page 283



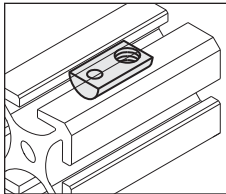
page 284



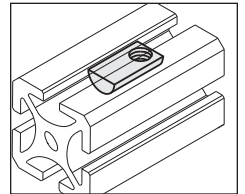
page 285



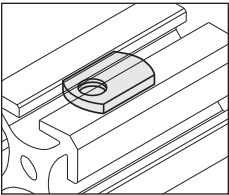
page 286



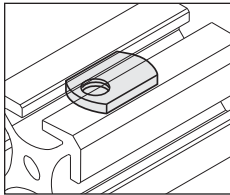
page 287



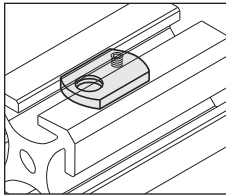
page 288



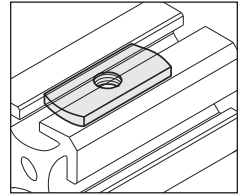
page 289



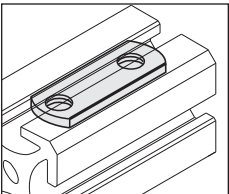
page 290



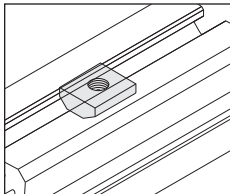
page 291



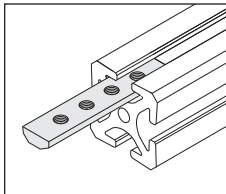
page 292



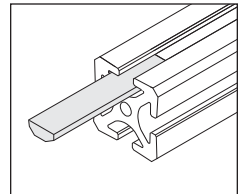
page 293



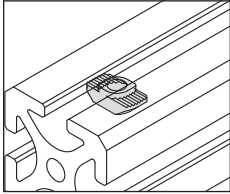
page 294



page 295

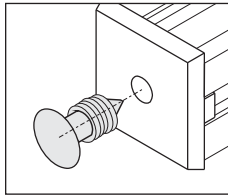


page 296

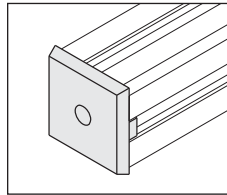


page 297

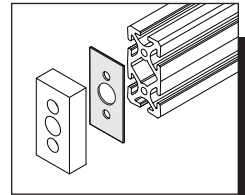
Section C.13
Miscellaneous
Components



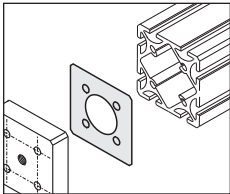
page 298



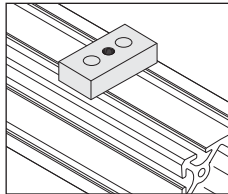
page 299



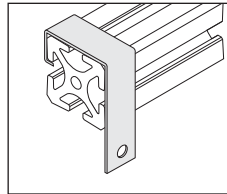
page 300



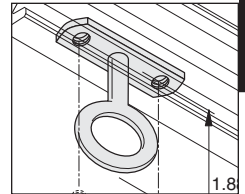
page 301



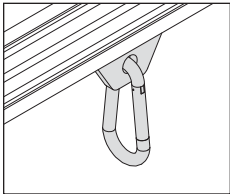
page 302



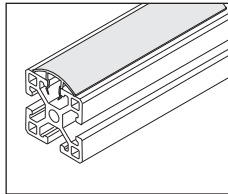
page 303



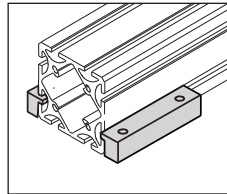
page 304



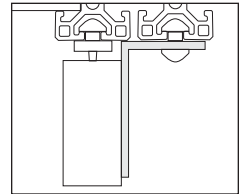
page 305



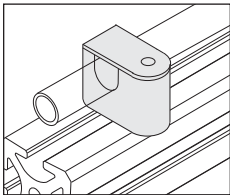
page 306



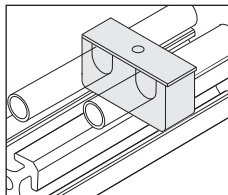
page 307



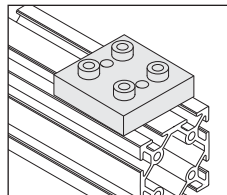
page 308



page 309



page 310

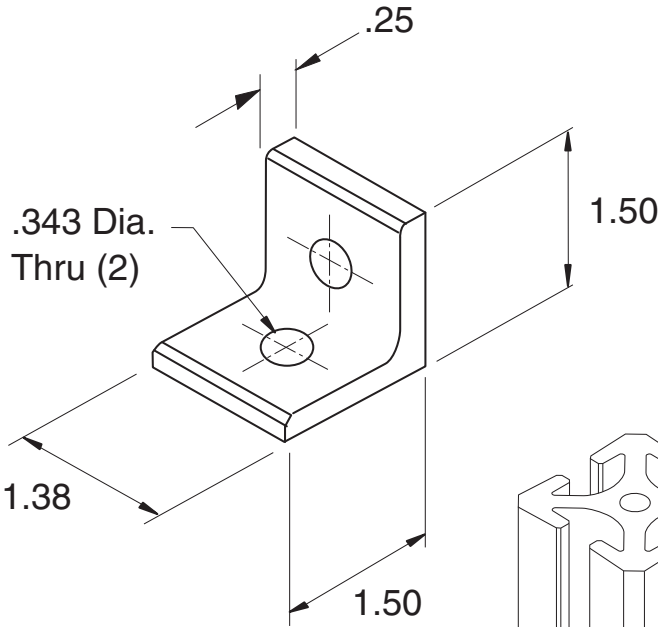


page 311

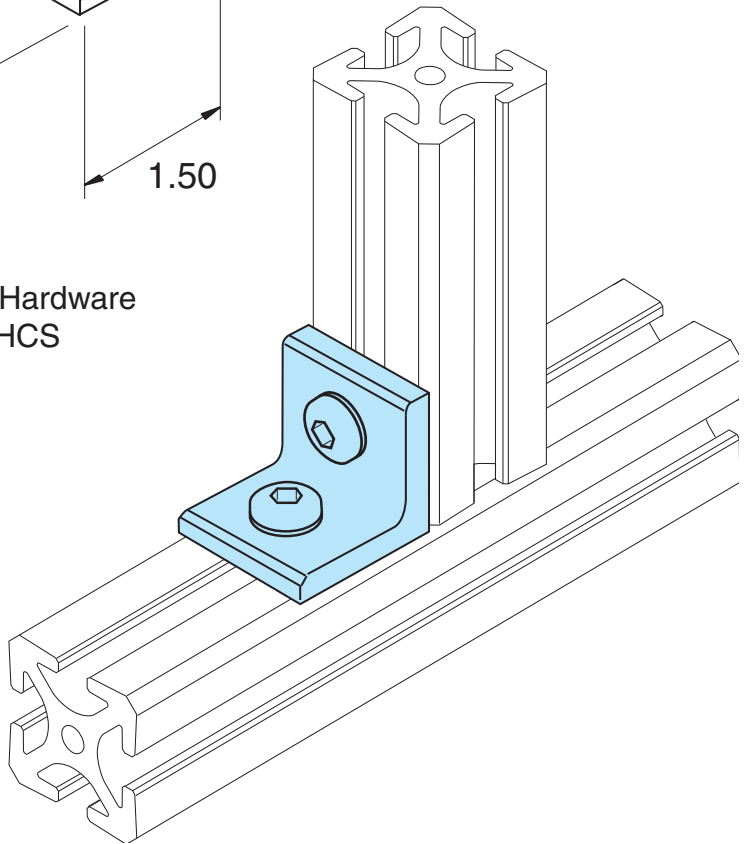
5/16" SLOTS

EB-1

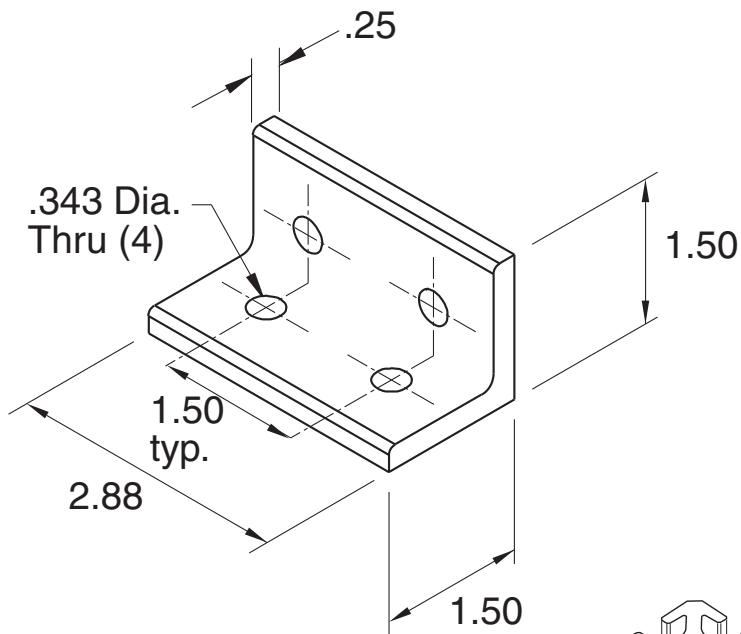
5/16" SLOTS



Recommended Hardware
(2) EF-12-.63 BHCS
(2) EF-2 T-nut

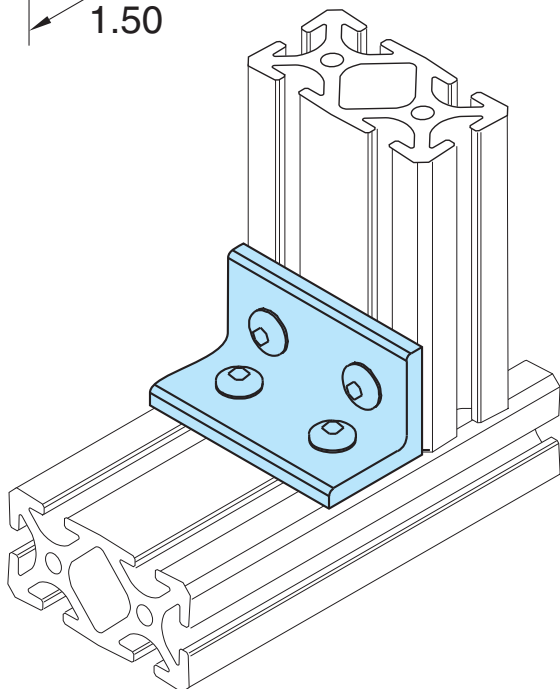


Material - Aluminum
Finish - Clear Anodize



5/16" SLOTS

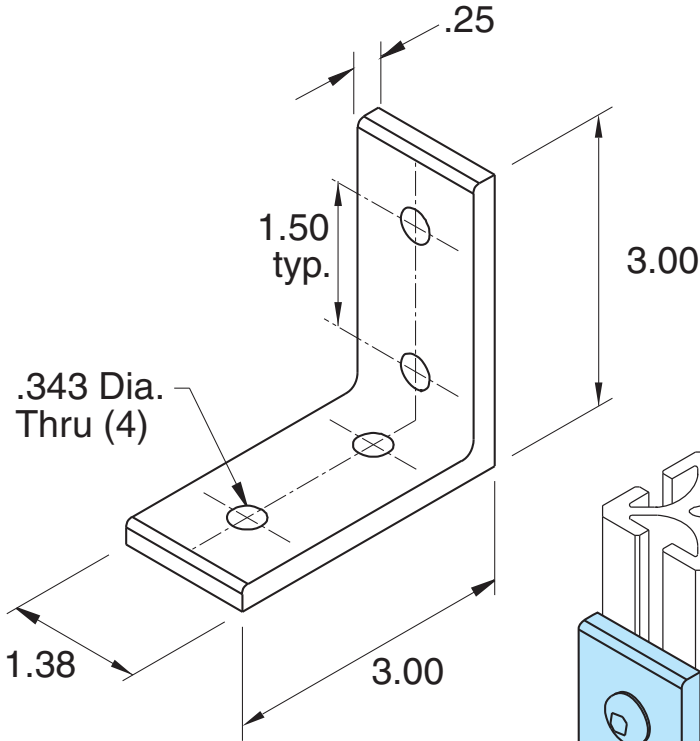
Recommended Hardware
(4) EF-12-.63 BHCS
(4) EF-2 T-nut



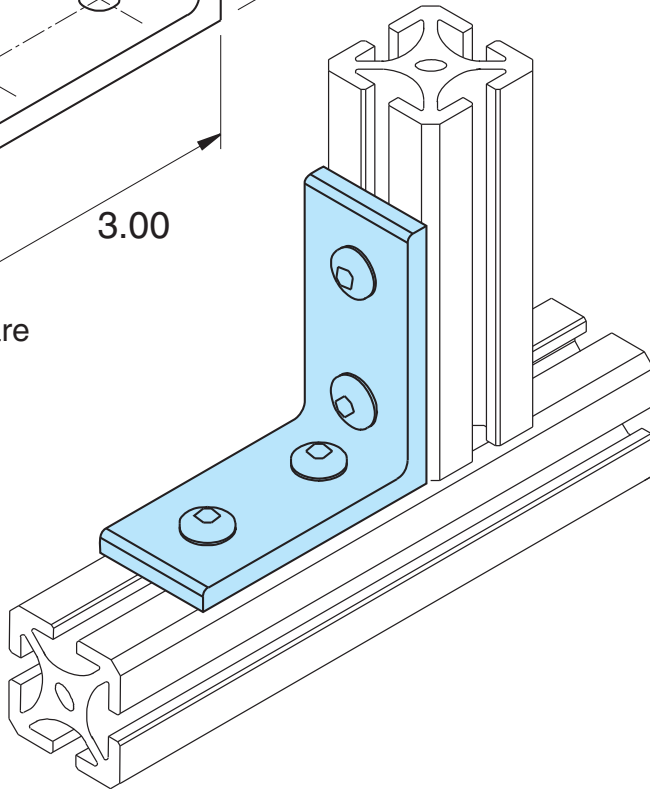
Material - Aluminum
Finish - Clear Anodize

EB-3

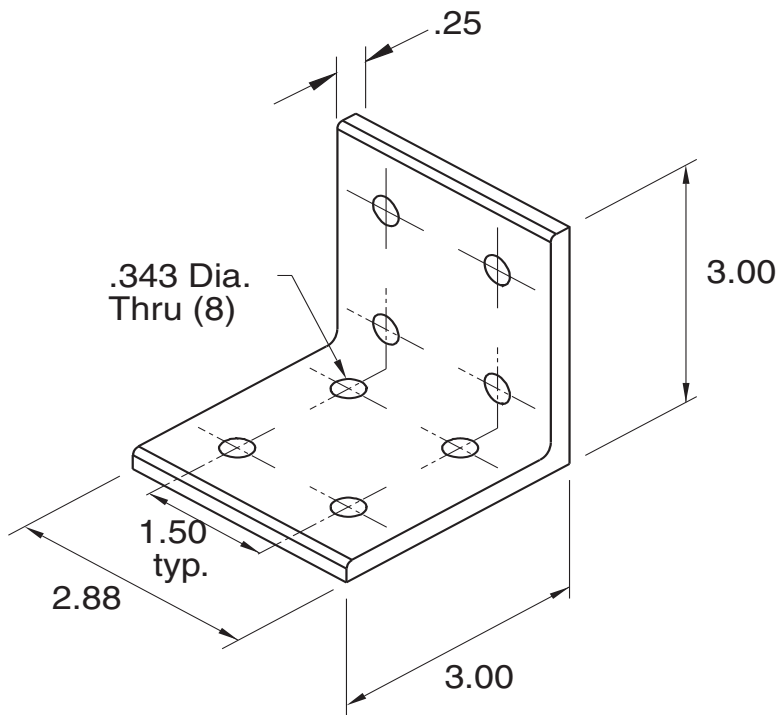
5/16" SLOTS



Recommended Hardware
(4) EF-12-.63 BHCS
(4) EF-2 T-nut

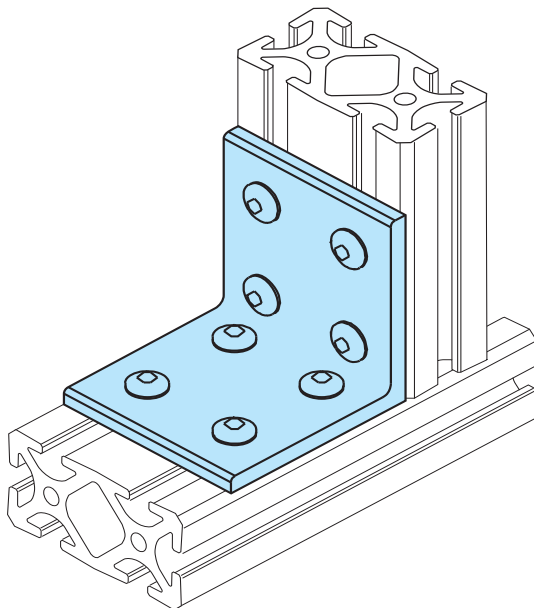


Material - Aluminum
Finish - Clear Anodize



5/16" SLOTS

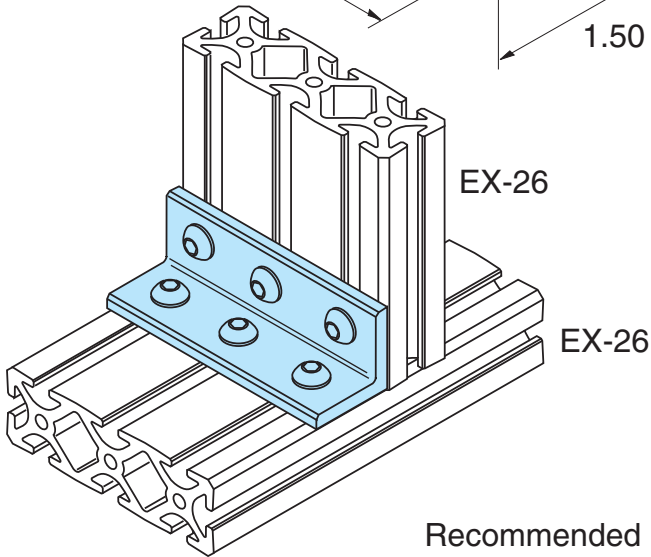
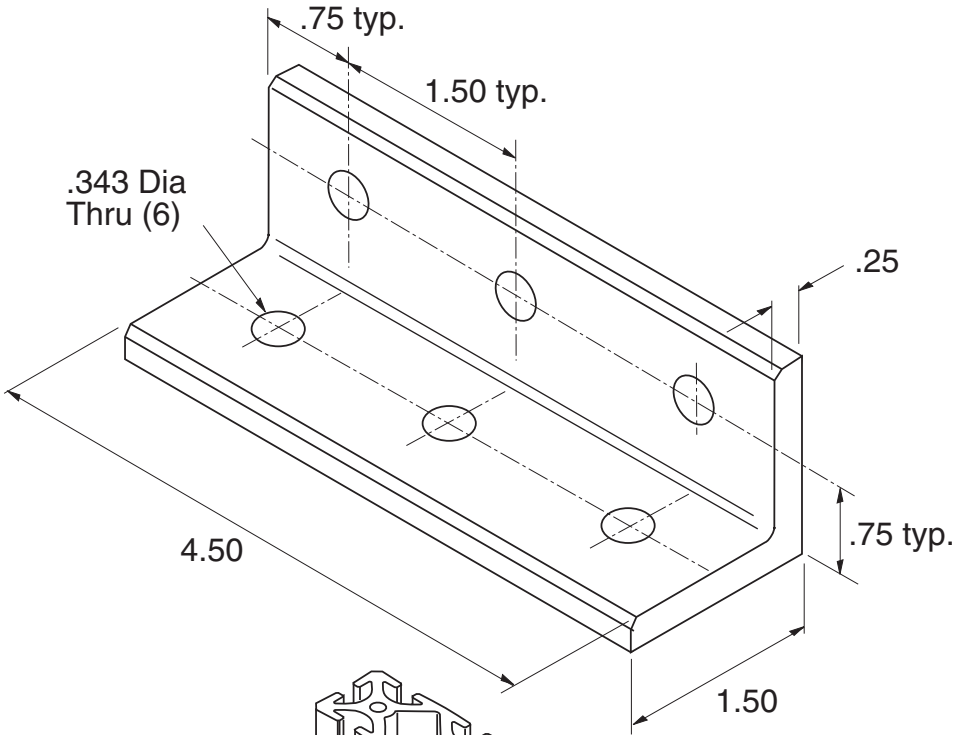
Recommended Hardware
(8) EF-12-.63 BHCS
(8) EF-2 T-nut



Material - Aluminum
Finish - Clear Anodize

EB-59

5/16" SLOTS

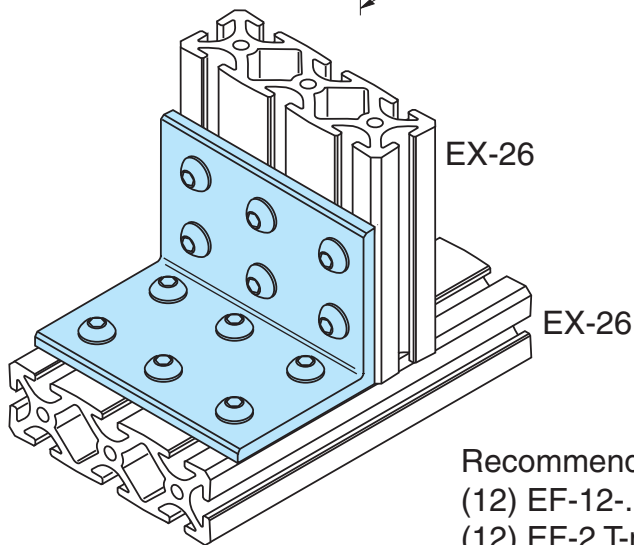
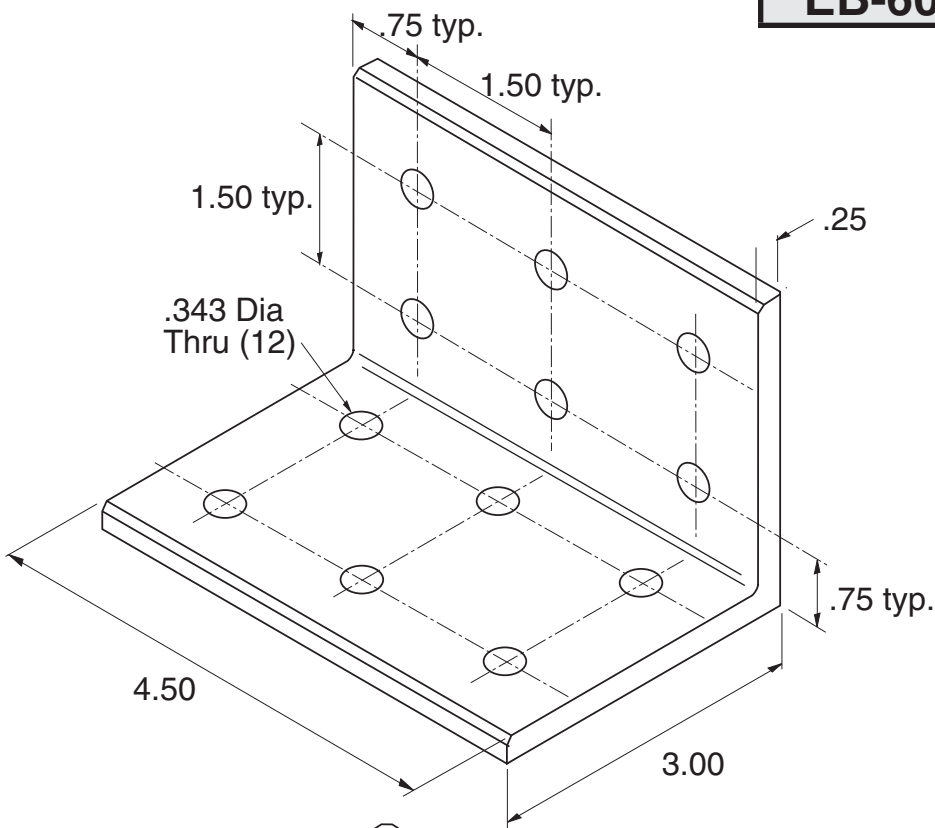


Recommended Hardware
(6) EF-12-.63 BHCS
(6) EF-2 T-nut

Material - Aluminum
Finish - Clear Anodize

EB-60

5/16" SLOTS

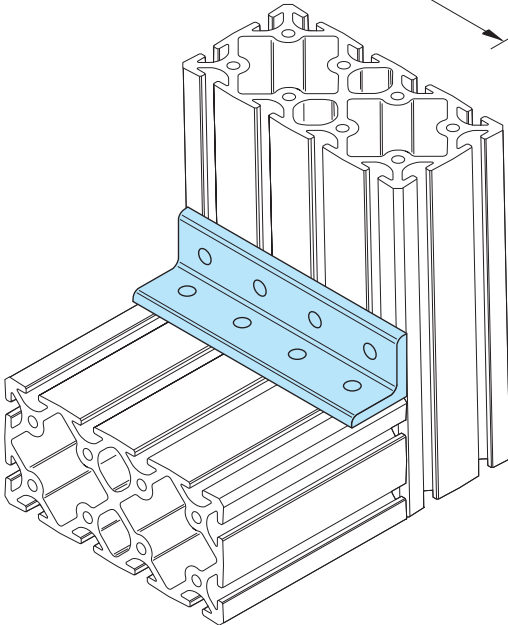
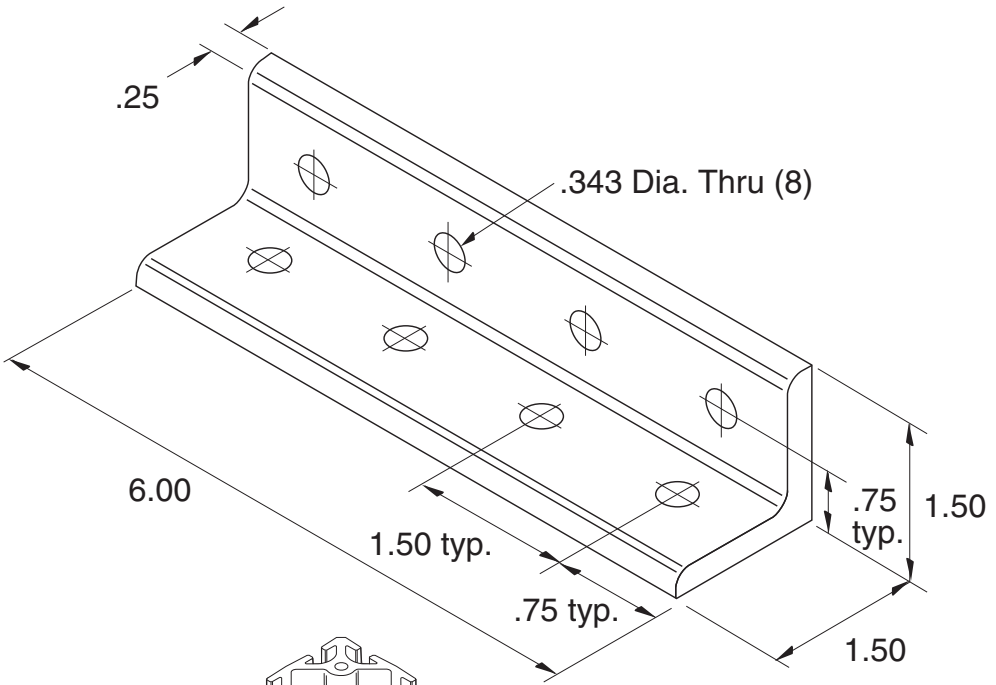


Recommended Hardware
 (12) EF-12-.63 BHCS
 (12) EF-2 T-nut

Material - Aluminum
Finish - Clear Anodize

EB-55

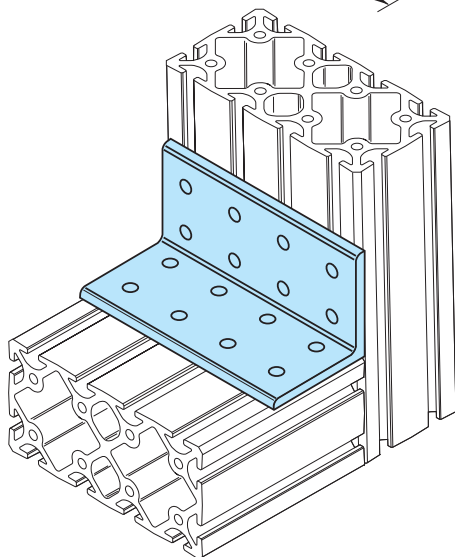
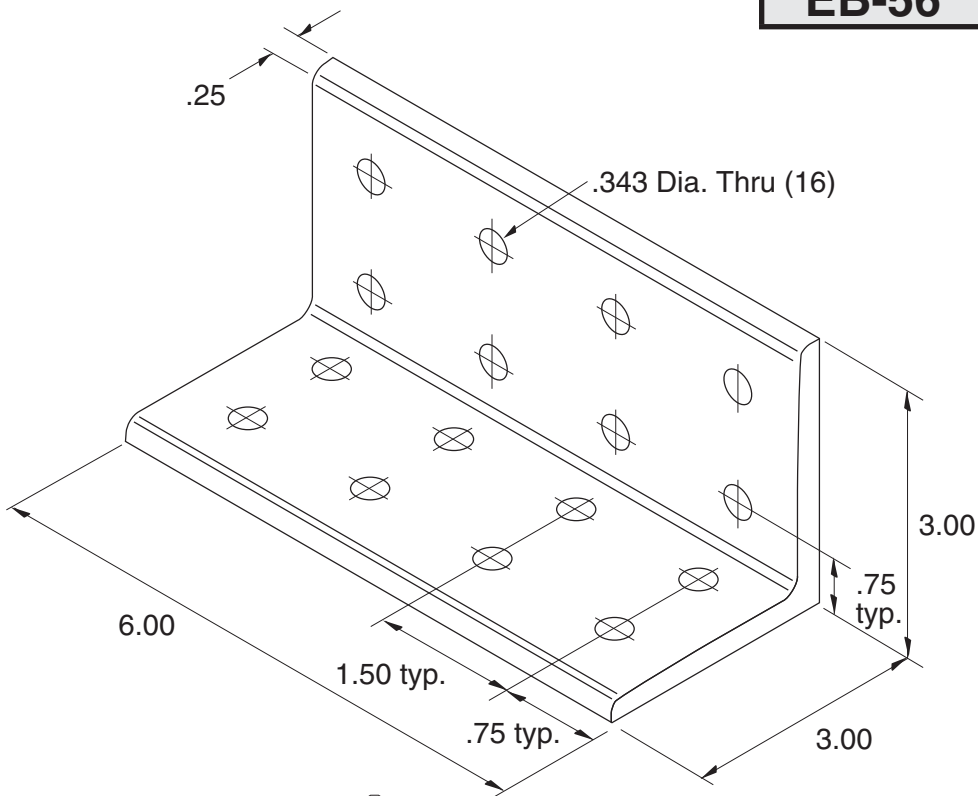
5/16" SLOTS



Recommended
Hardware
(8) EF-12-.63 BHCS
(8) EF-2 T-nut

Material - Aluminum
Finish - Clear Anodize

5/16" SLOTS

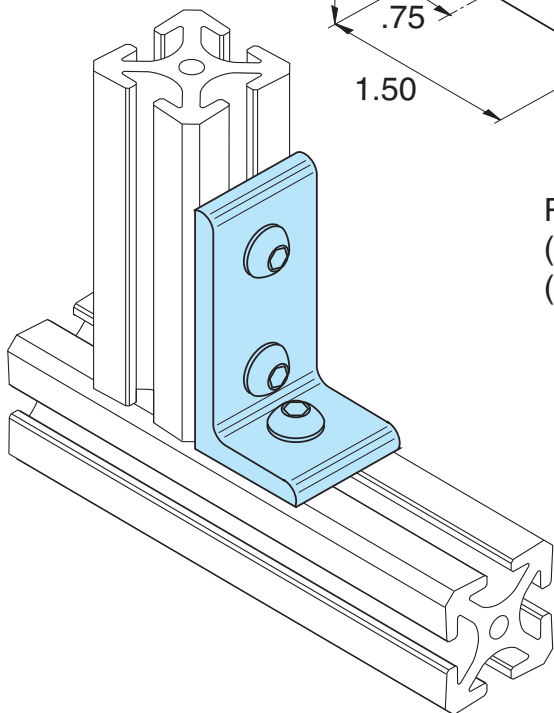
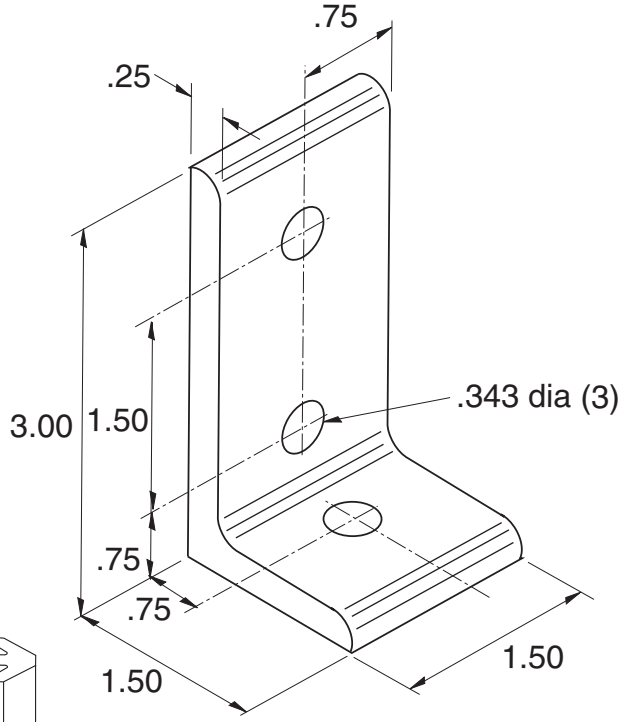


**Recommended
Hardware**
(16) EF-12-.63 BHCS
(16) EF-2 T-nut

**Material - Aluminum
Finish - Clear Anodize**

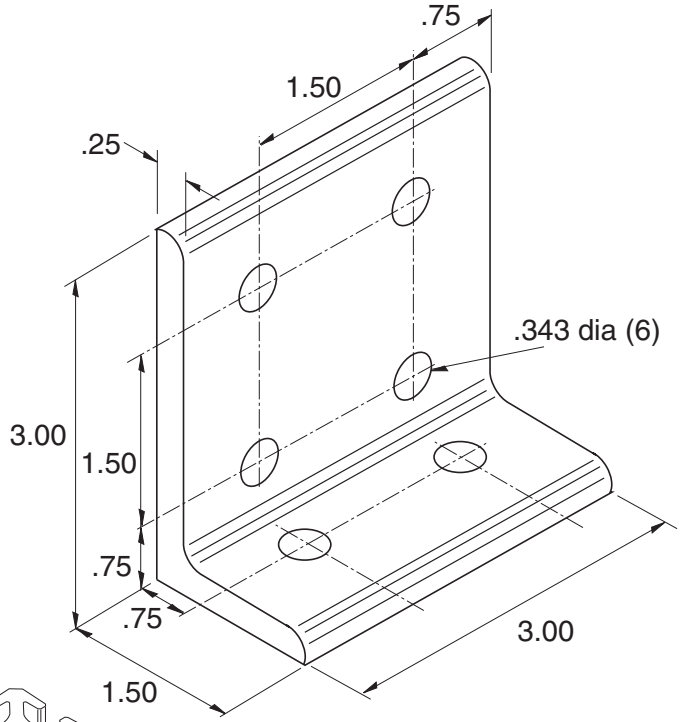
EB-100

5/16" SLOTS

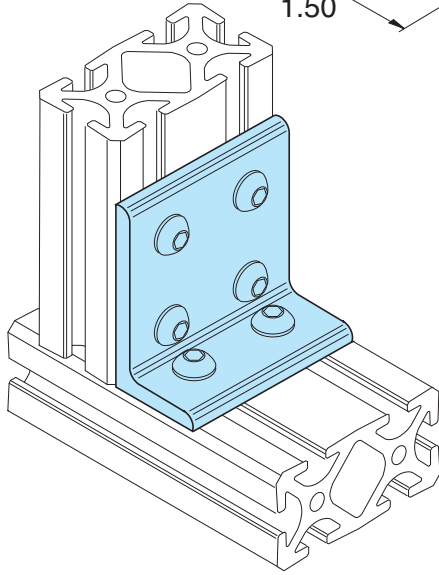


Recommended Hardware
(3) EF-12-.63 BHCS
(3) EF-2 T-nut

Material - Aluminum
Finish - Clear Anodize



5/16" SLOTS

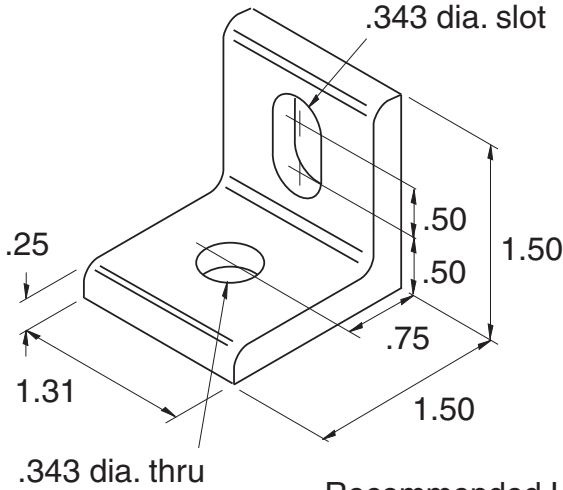


Recommended Hardware
 (6) EF-12-.63 BHCS
 (6) EF-2 T-nut

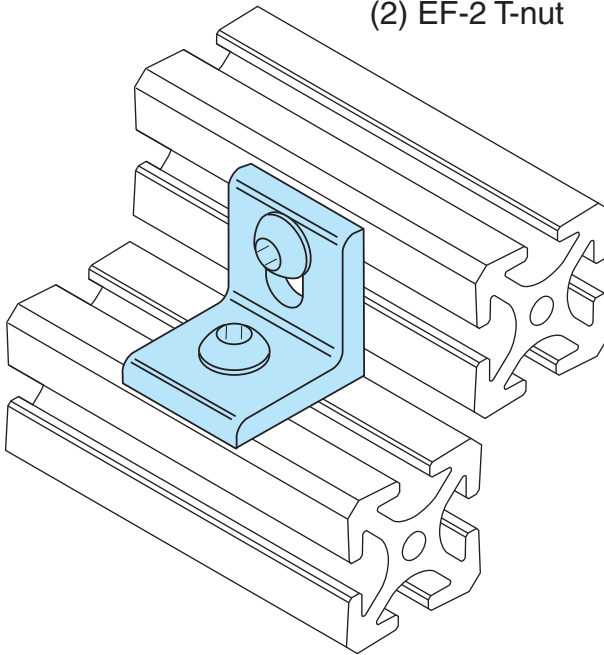
Material - Aluminum
Finish - Clear Anodize

EB-102

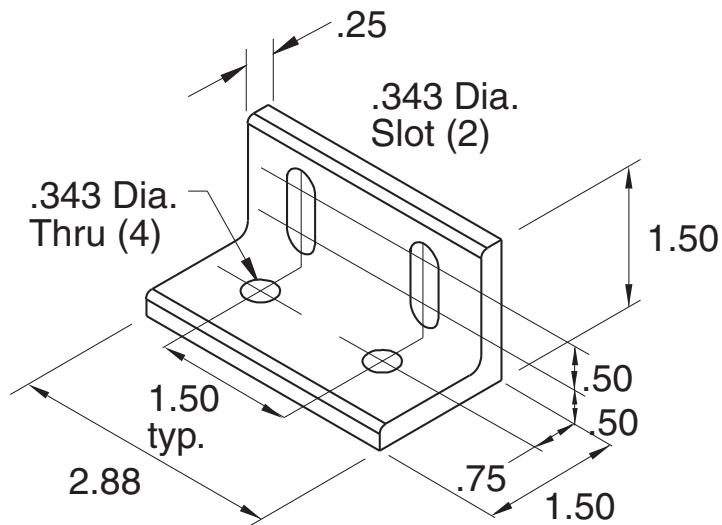
5/16" SLOTS



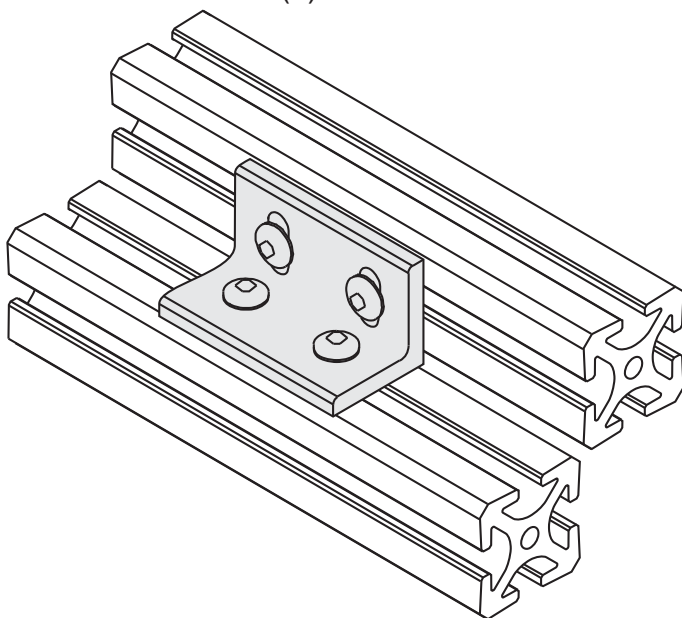
Recommended Hardware
(2) EF-12-.63 BHCS
(2) EF-2 T-nut



Material - Aluminum
Finish - Clear Anodize



Recommended Hardware
(4) EF-12-.63 BHCS
(4) EF-2 T-nut

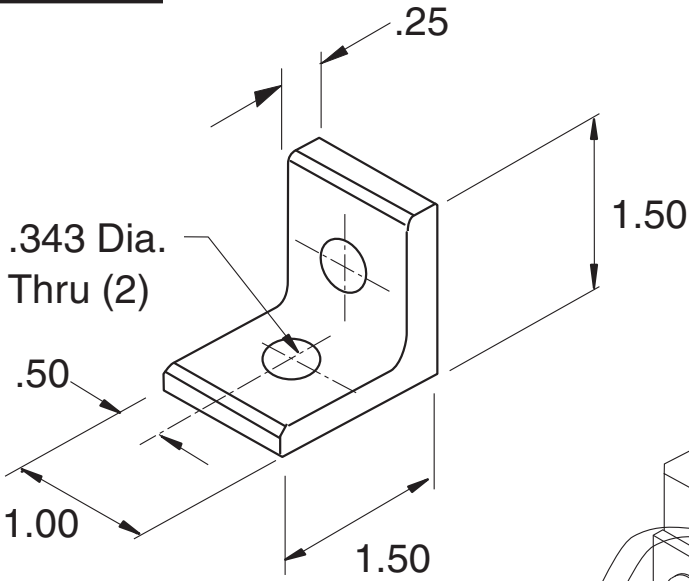


Material - Aluminum
Finish - Clear Anodize

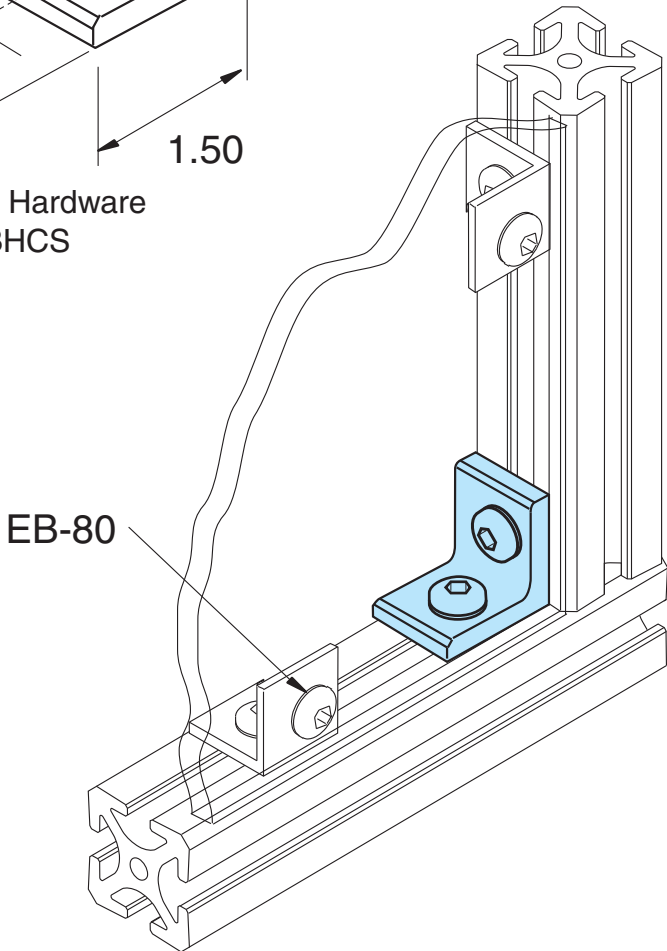
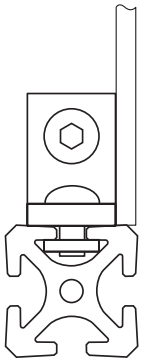
5/16" SLOTS

EB-81

5/16" SLOTS

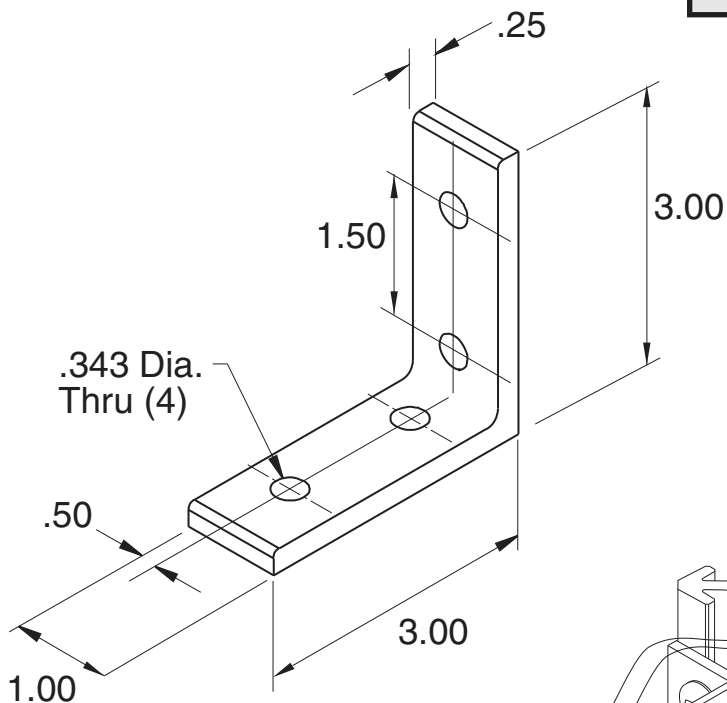


Recommended Hardware
(2) EF-12-.63 BHCS
(2) EF-2 T-nut

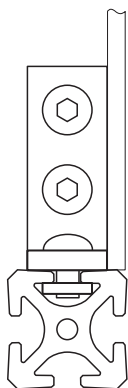


Material - Aluminum
Finish - Clear Anodize

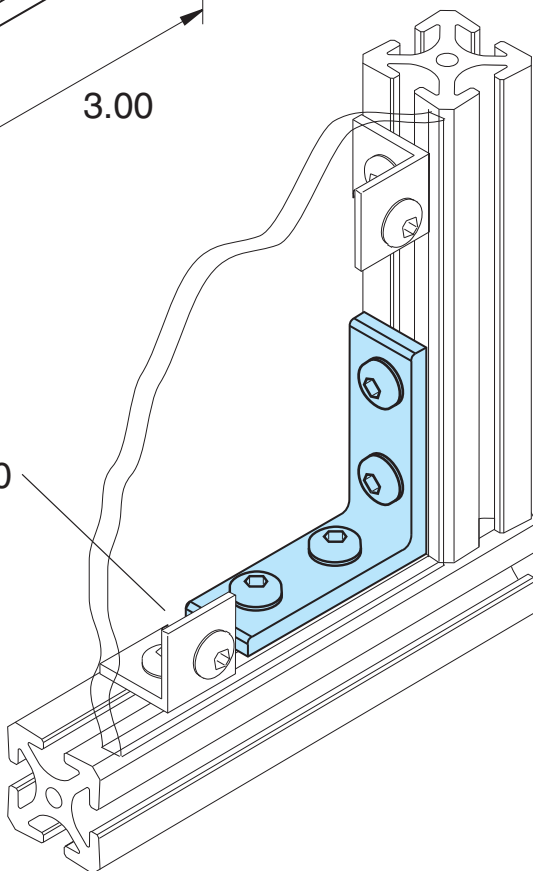
5/16" SLOTS



Recommended Hardware
 (4) EF-12-.63 BHCS
 (4) EF-2 T-nut



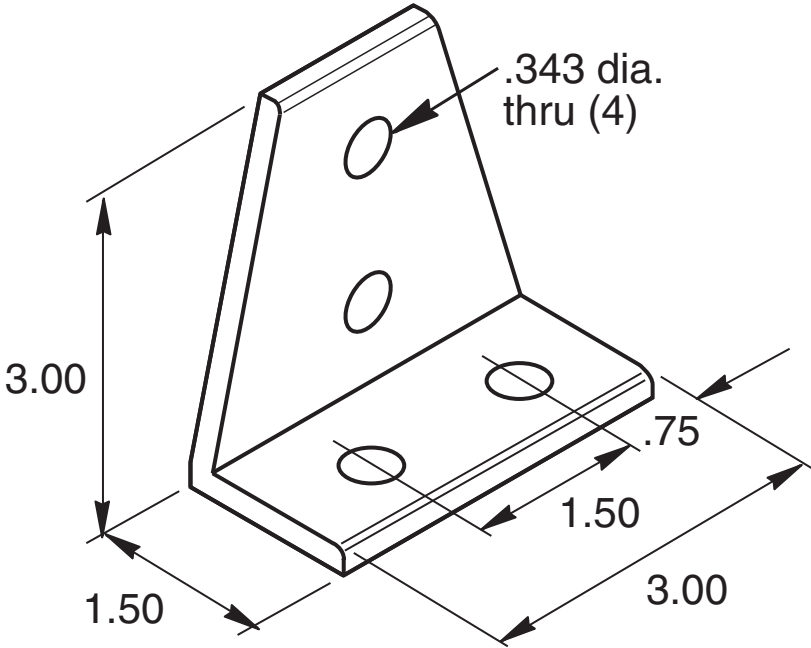
EB-82



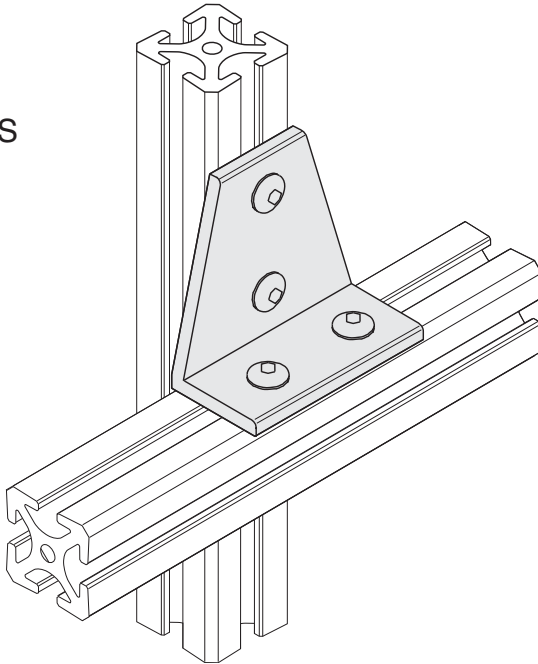
Material - Aluminum
Finish - Clear Anodize

EB-30

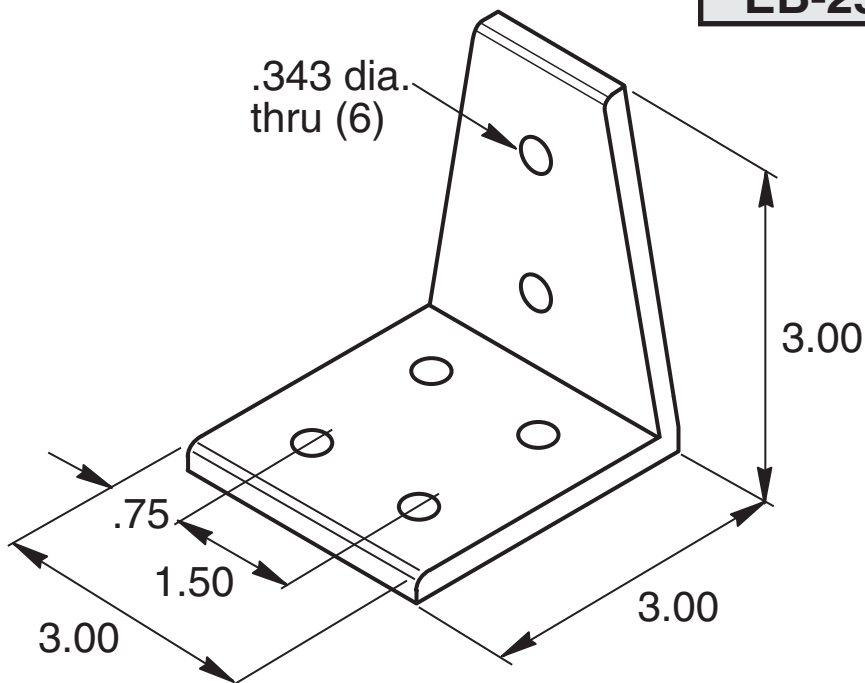
5/16" SLOTS



Recommended Hardware
(4) EF-12-.63 BHCS
(4) EF-2 T-nut

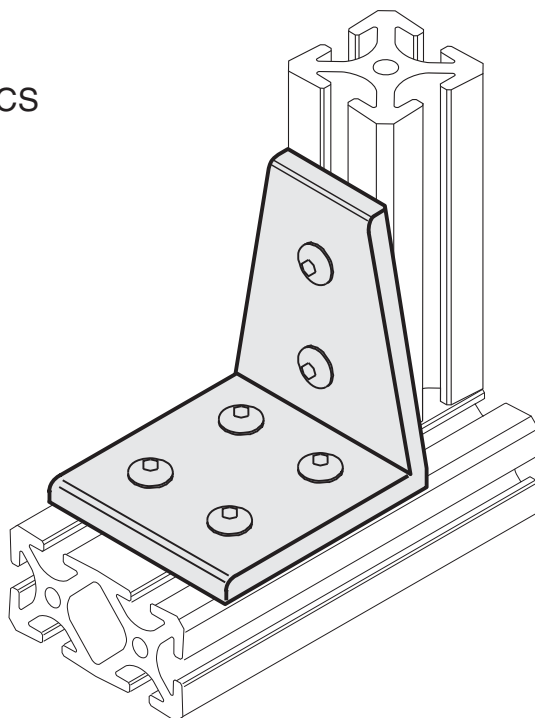


Material - Aluminum
Finish - Clear Anodize



5/16" SLOTS

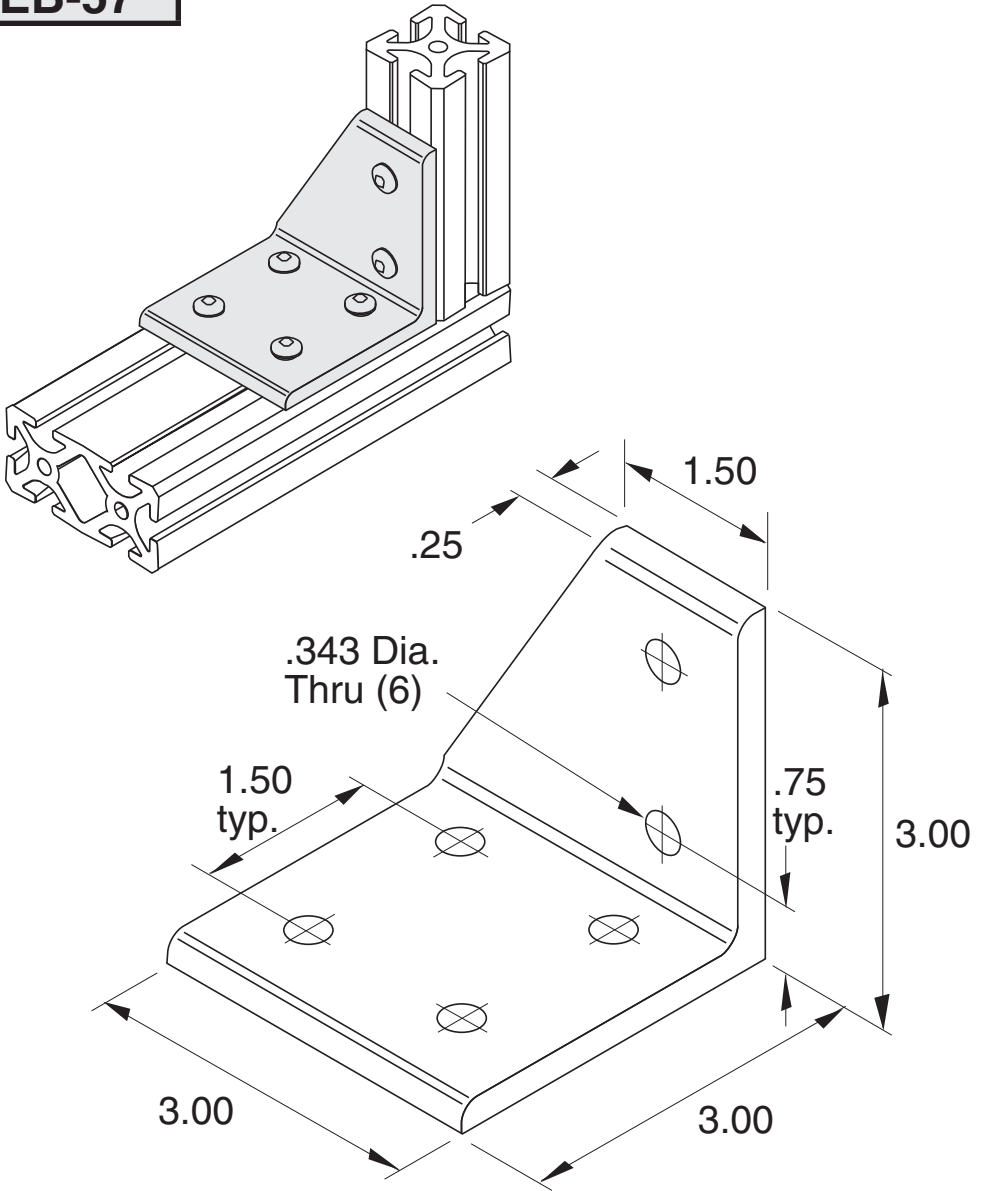
Recommended
Hardware
(6) EF-12-.63 BHCS
(6) EF-2 T-nut



Material - Aluminum
Finish - Clear Anodize

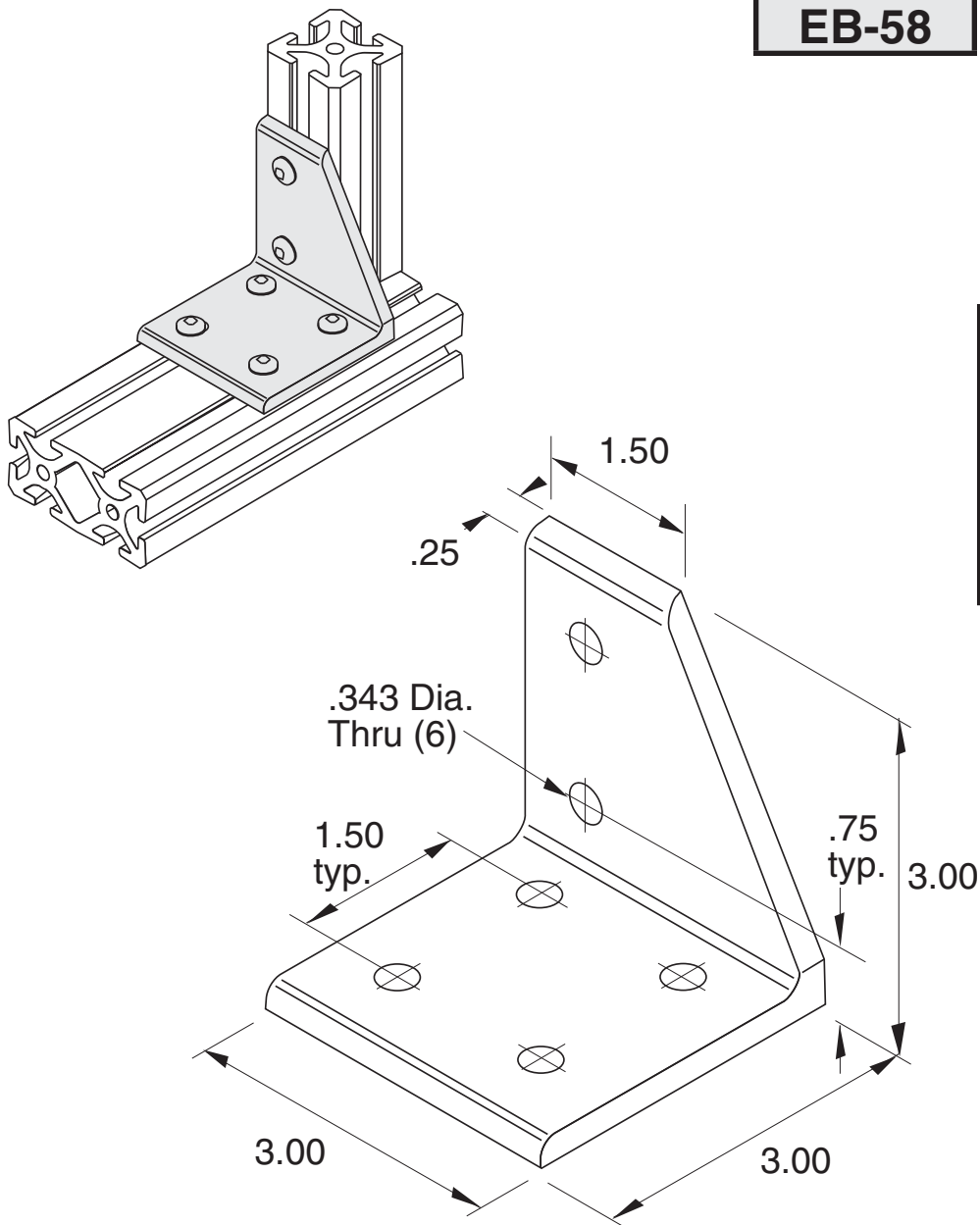
EB-57

5/16" SLOTS



Recommended Hardware
(6) EF-12-.63 BHCS
(6) EF-2 T-nut

Material - Aluminum
Finish - Clear Anodize

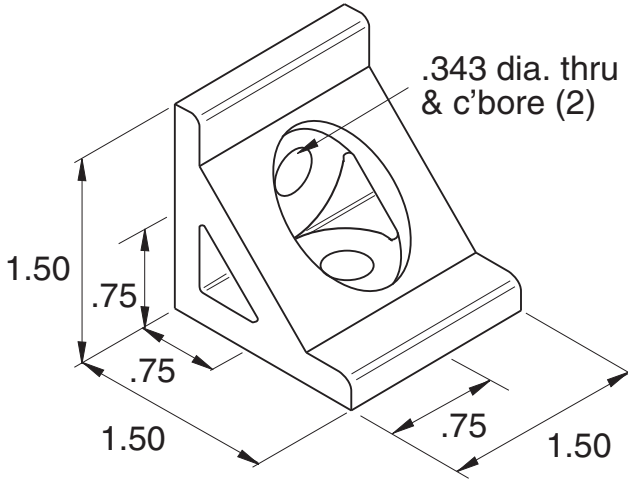


Recommended Hardware
(6) EF-12-.63 BHCS
(6) EF-2 T-nut

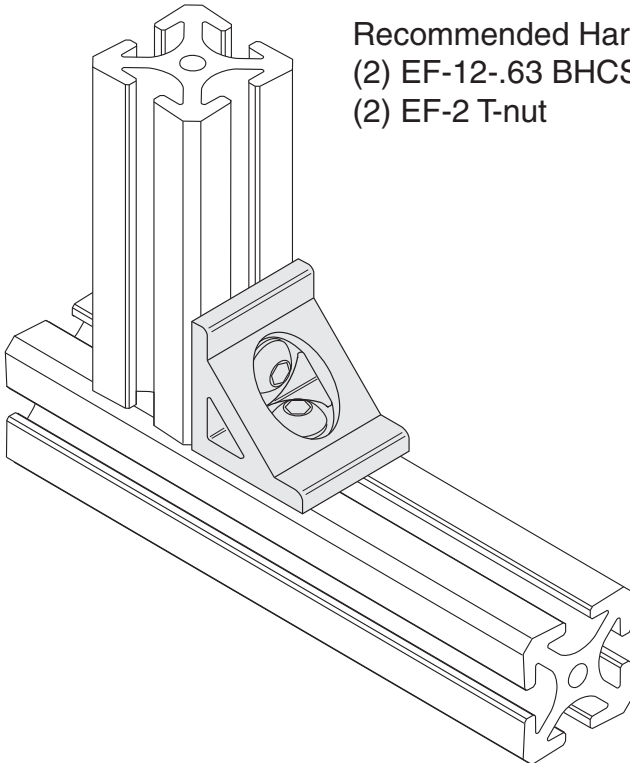
Material - Aluminum
Finish - Clear Anodize

EB-111

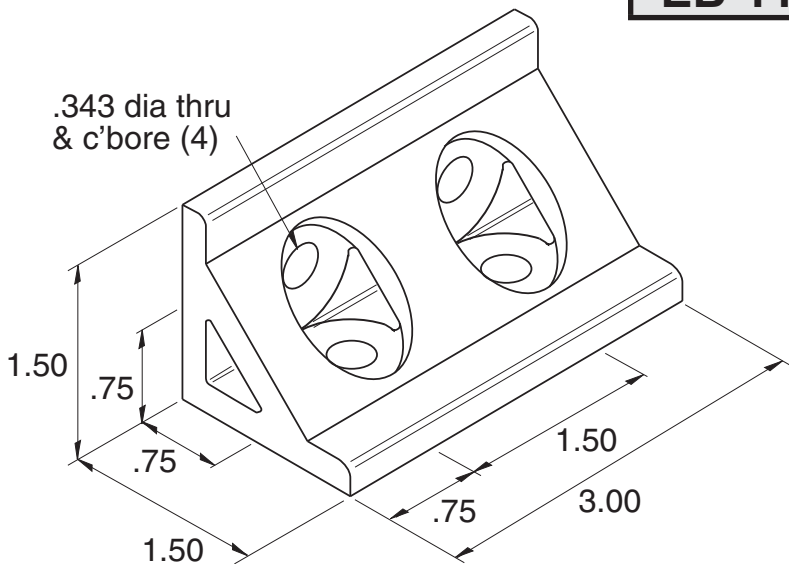
5/16" SLOTS



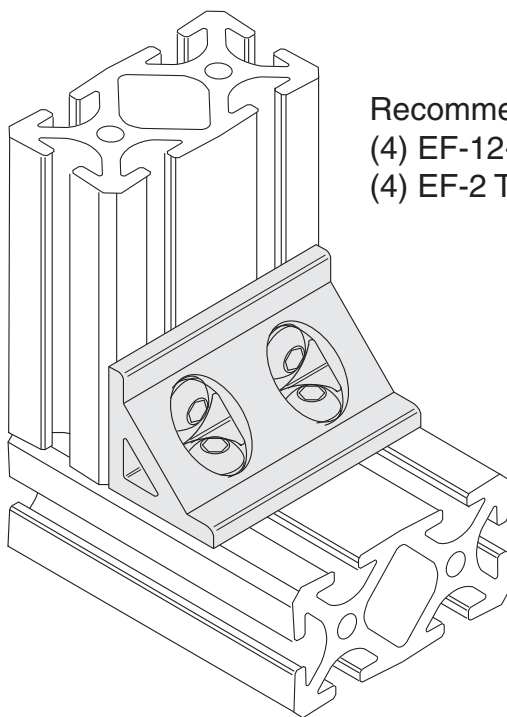
Recommended Hardware
(2) EF-12-.63 BHCS
(2) EF-2 T-nut



Material - Aluminum
Finish - Clear Anodize



5/16" SLOTS

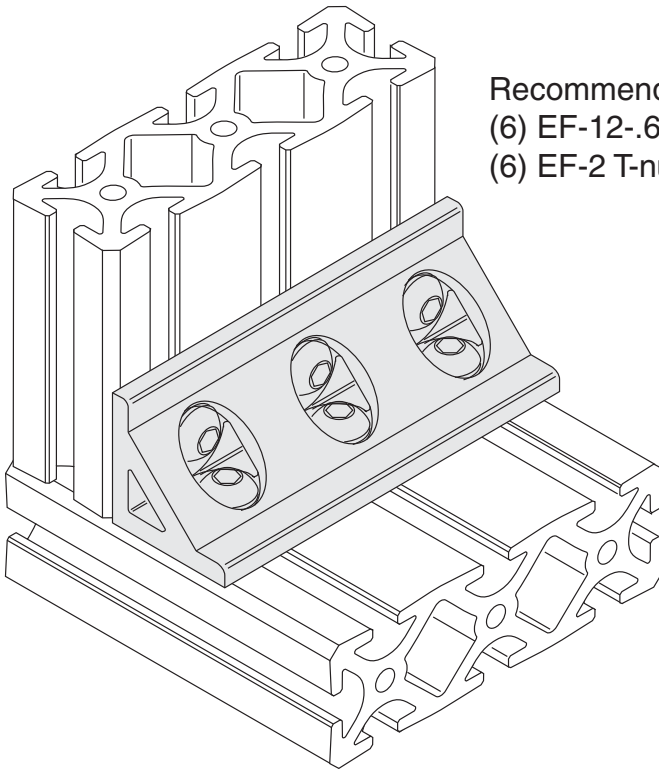
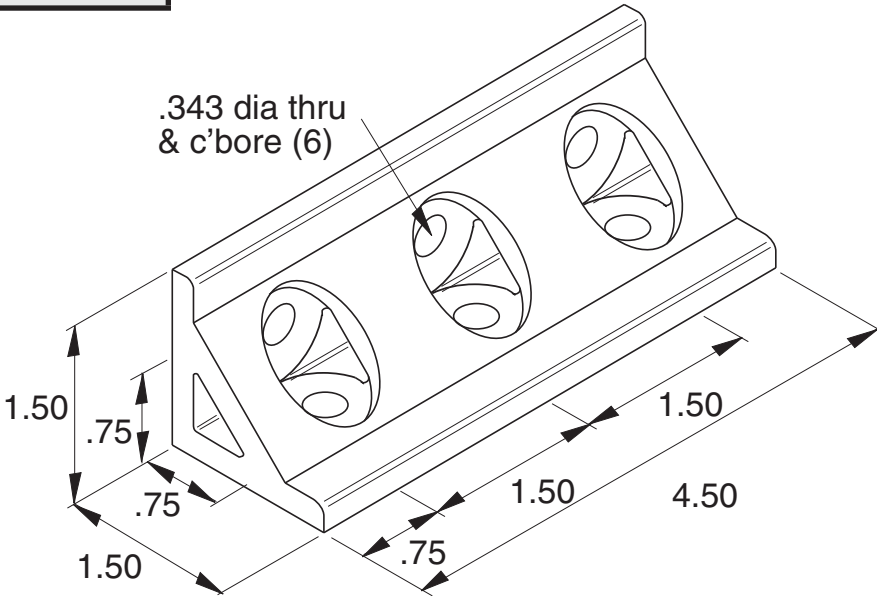


Recommended Hardware
(4) EF-12-.63 BHCS
(4) EF-2 T-nut

Material - Aluminum
Finish - Clear Anodize

EB-113

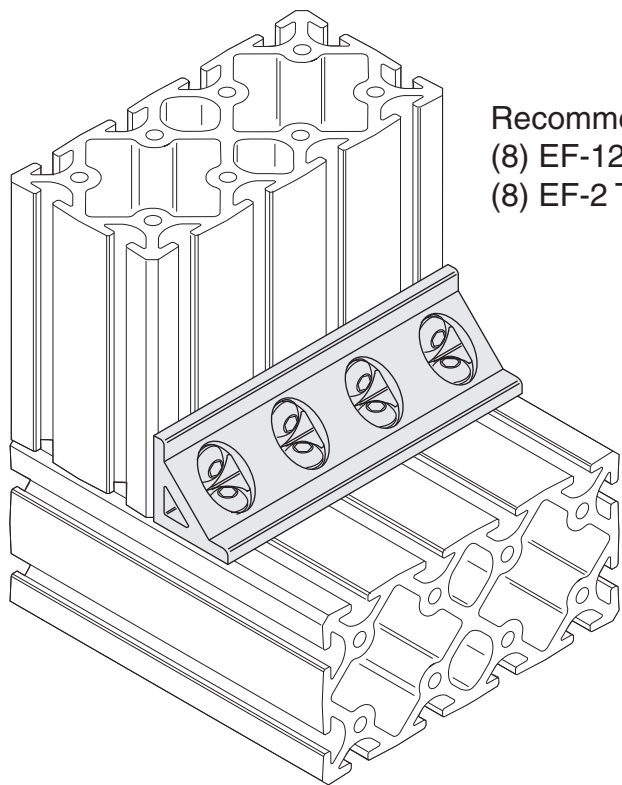
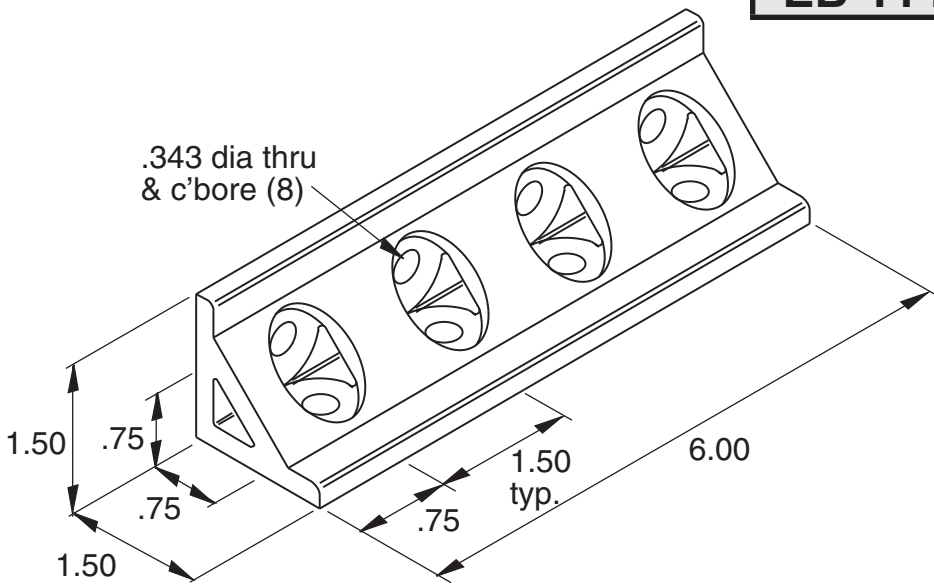
5/16" SLOTS



Recommended Hardware
(6) EF-12-.63 BHCS
(6) EF-2 T-nut

Material - Aluminum
Finish - Clear Anodize

5/16" SLOTS

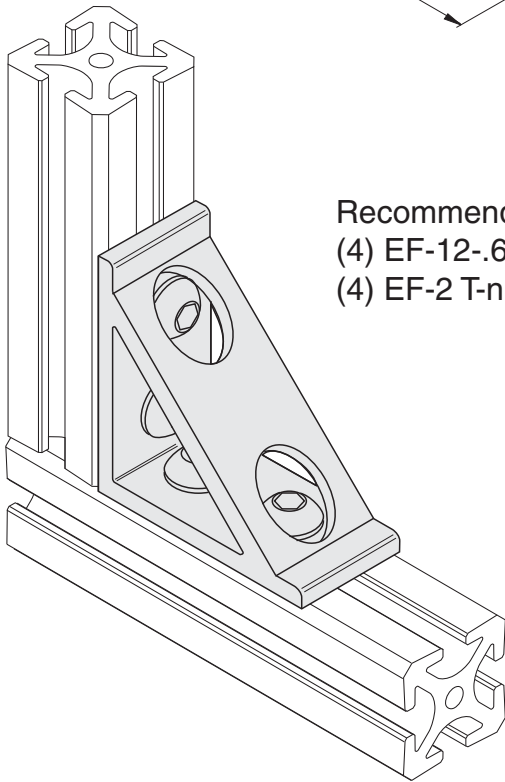
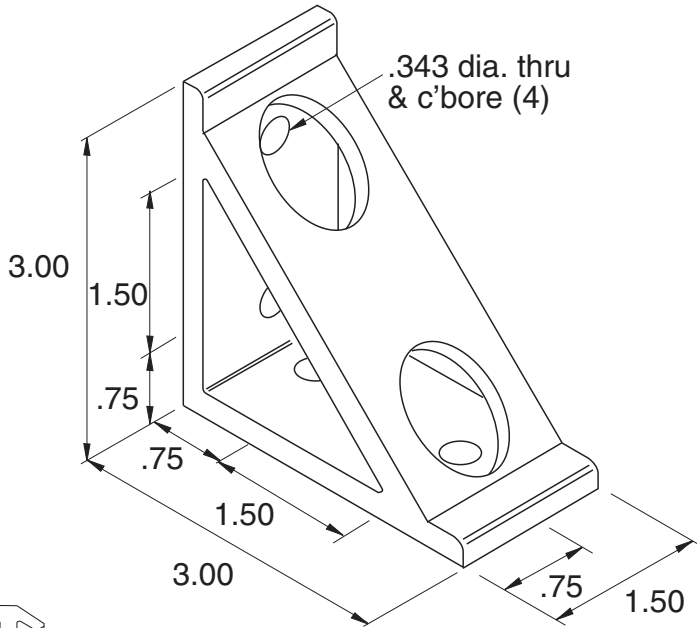


Recommended Hardware
(8) EF-12-.63 BHCS
(8) EF-2 T-nut

Material - Aluminum
Finish - Clear Anodize

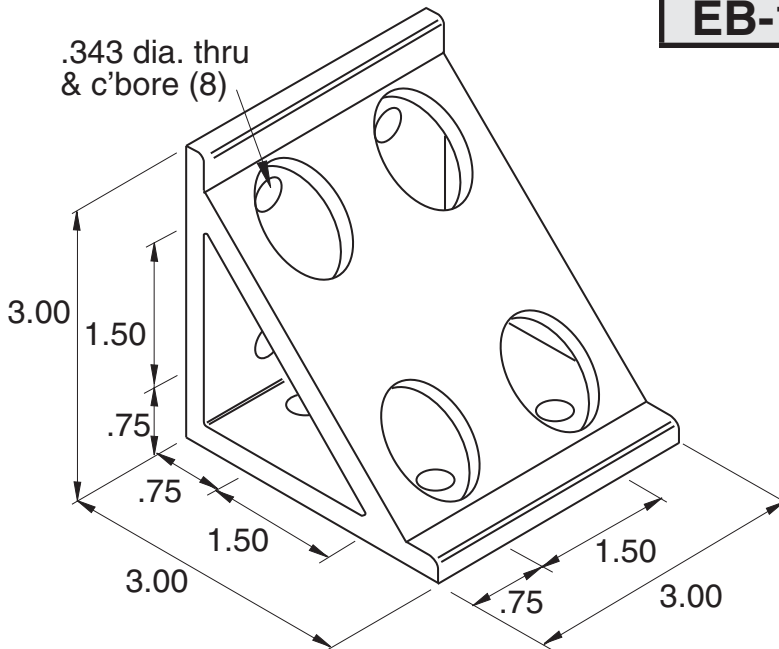
EB-121

5/16" SLOTS

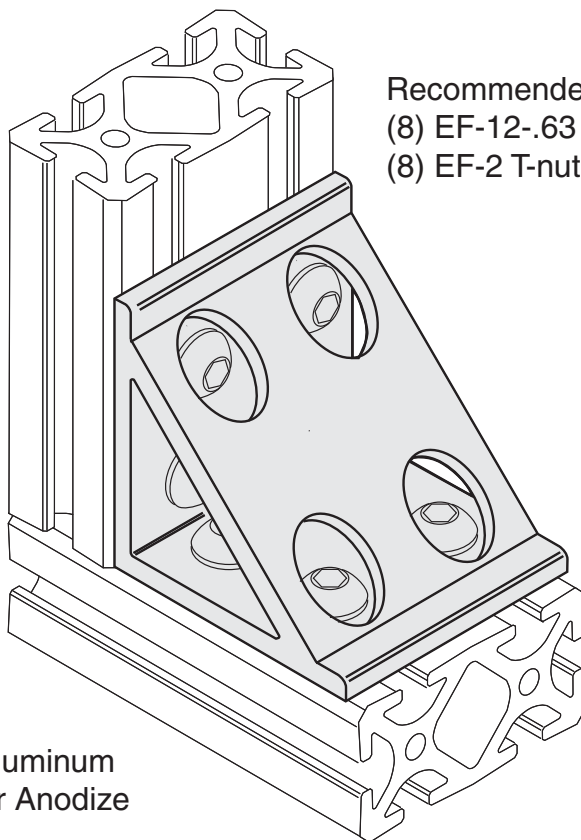


Recommended Hardware
(4) EF-12-.63 BHCS
(4) EF-2 T-nut

Material - Aluminum
Finish - Clear Anodize



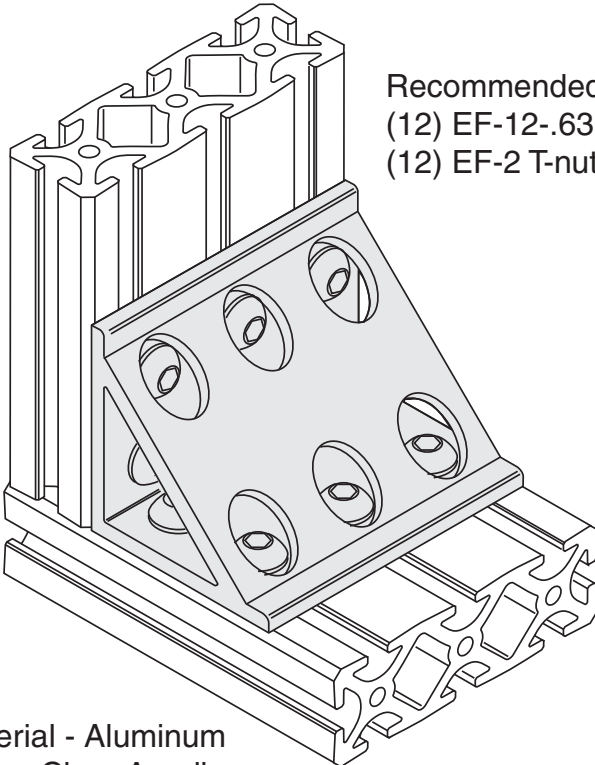
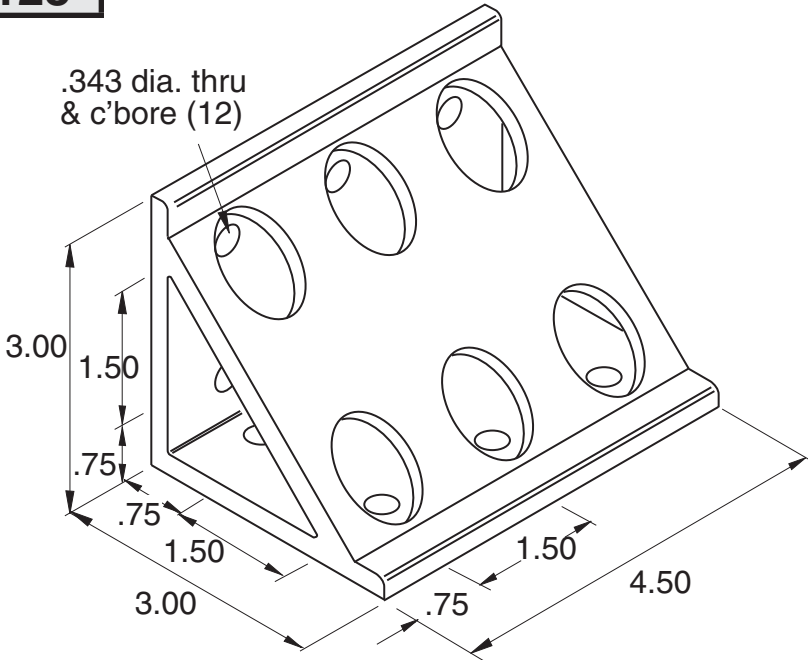
5/16" SLOTS



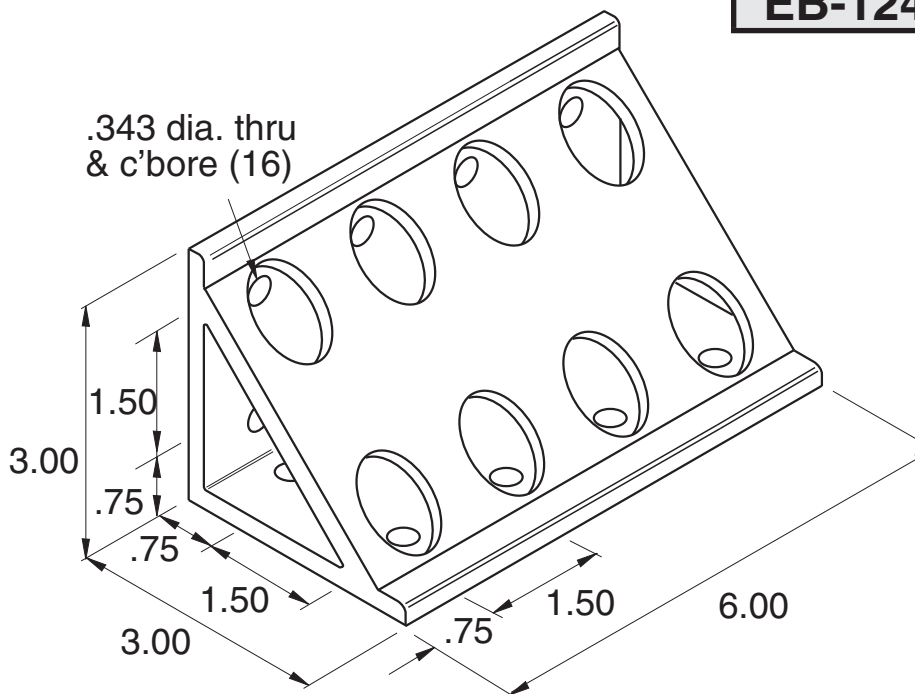
Material - Aluminum
Finish - Clear Anodize

EB-123

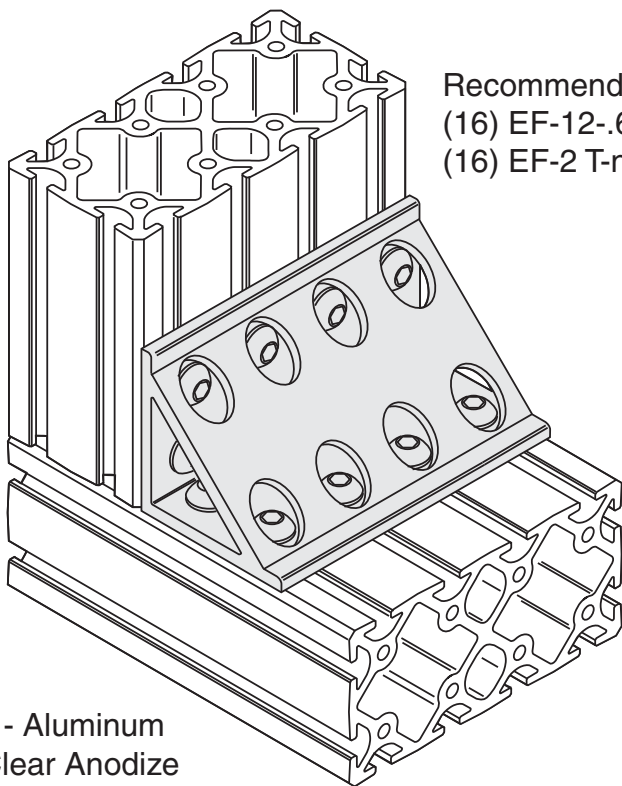
5/16" SLOTS



Material - Aluminum
Finish - Clear Anodize



5/16" SLOTS



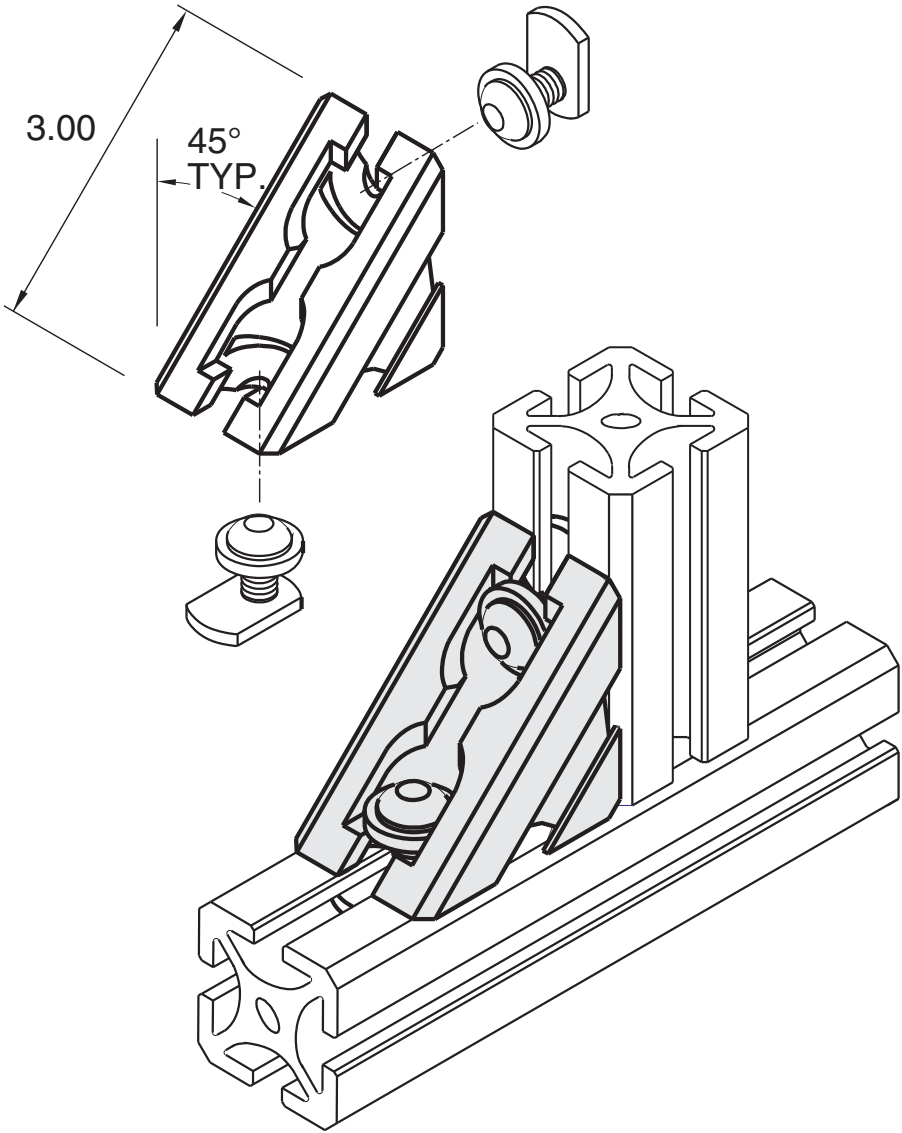
Material - Aluminum
Finish - Clear Anodize

1.5 x 1.5 Extrusion
Corner Gusset



EB-6

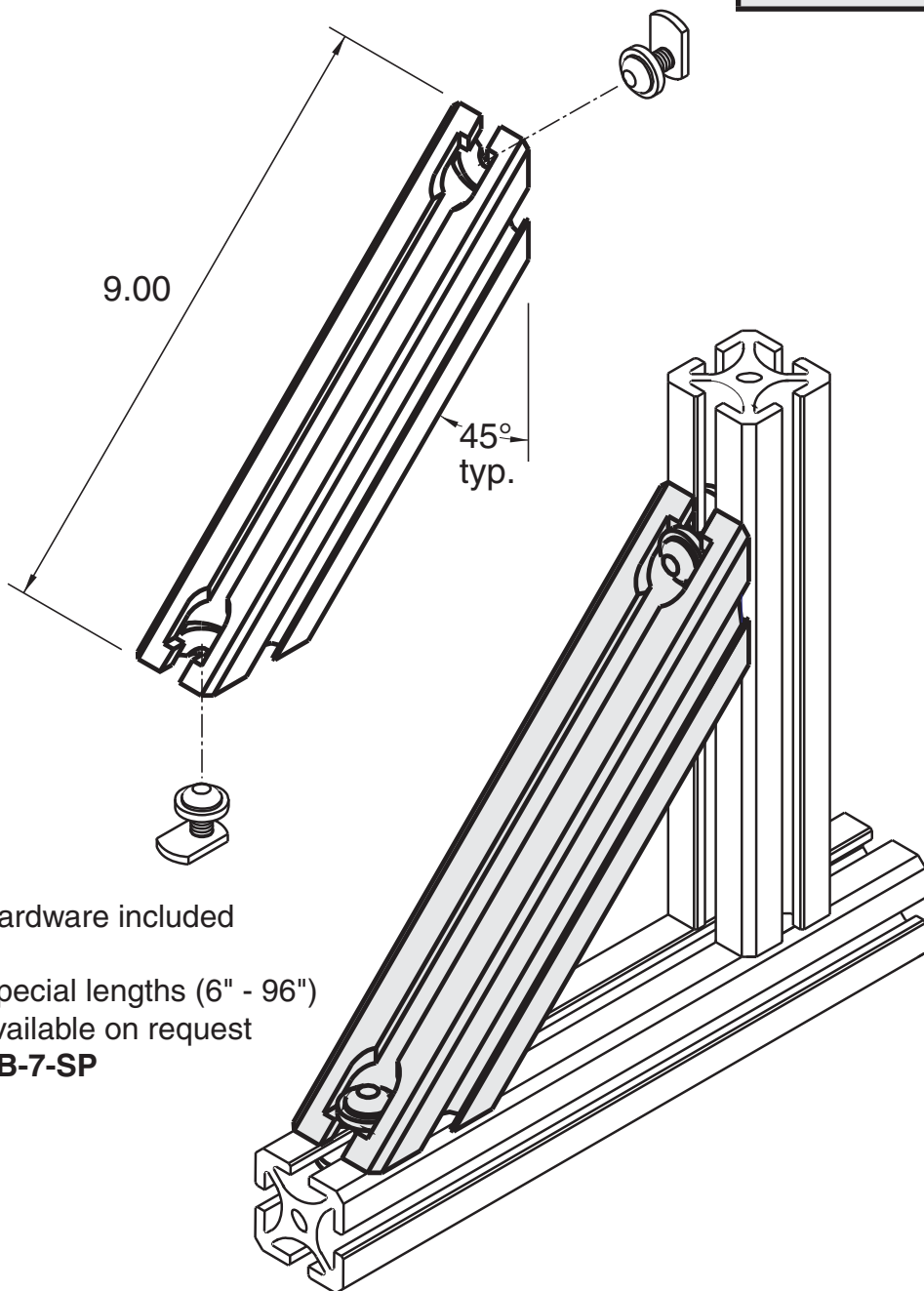
5/16" SLOTS



Hardware included

Material - Aluminum (EX-1)
Finish - Clear Anodize

5/16" SLOTS



Hardware included

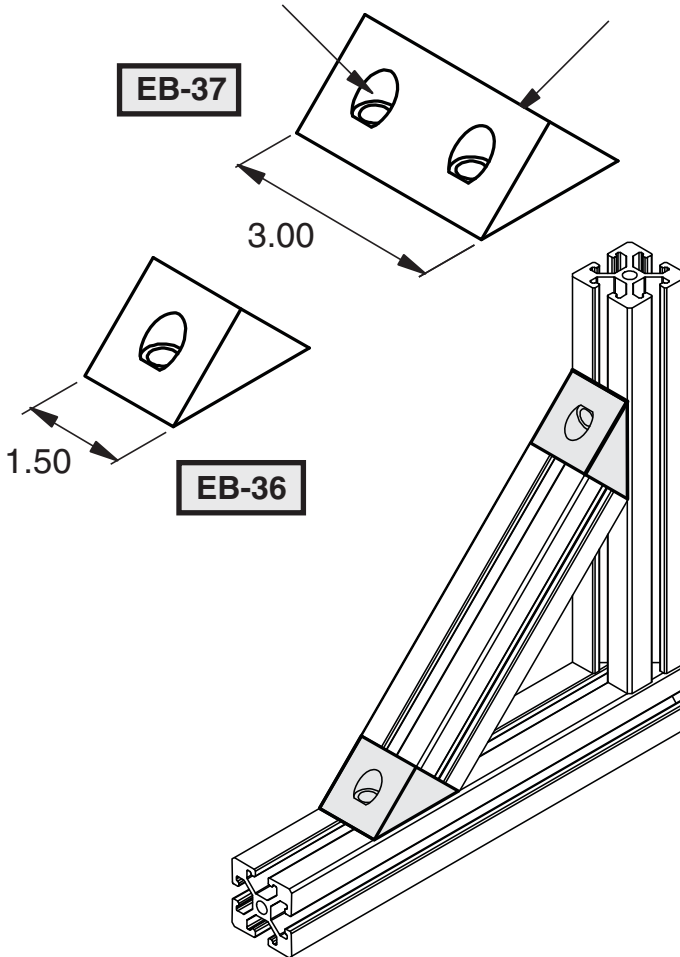
Special lengths (6" - 96")
available on request
EB-7-SP

Material - Aluminum (EX-1)
Finish - Clear Anodize

EB-36
EB-37

drilled and c'bored
for EF-11-.63 SHCS

drilled and c'bored
for EF-11-.75 SHCS



5/16" SLOTS

EB-36

Recommended Hardware

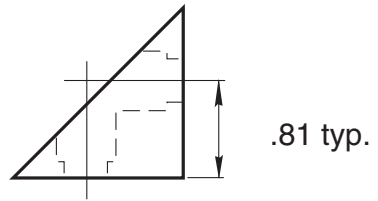
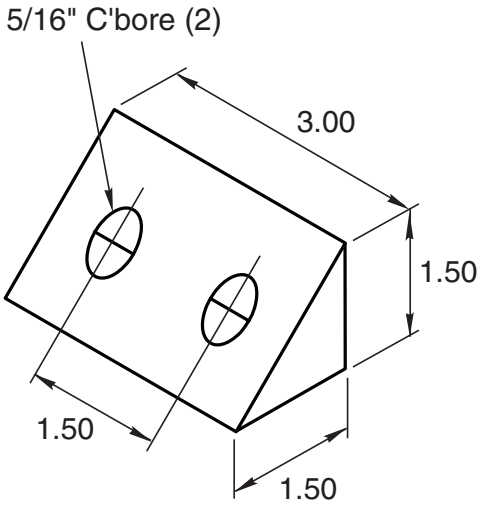
- (1) EF-11-.75 SHCS
- (1) EF-11-.63 SHCS
- (1) EF-2 T-nut

EB-37

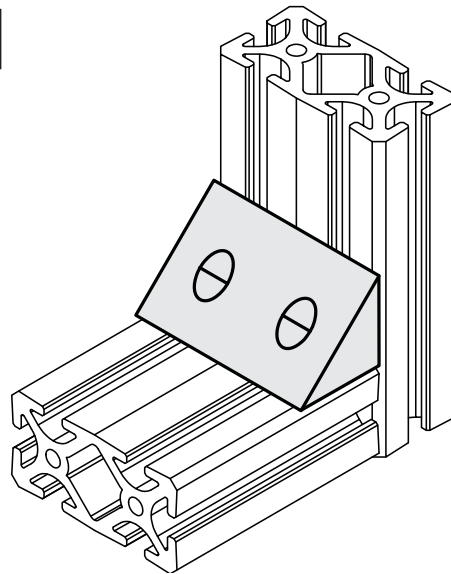
Recommended Hardware

- (2) EF-11-.75 SHCS
- (2) EF-11-.63 SHCS
- (2) EF-2 T-nut

Material - Aluminum
Finish - Clear Anodize



5/16" SLOTS



Recommended Hardware
(4) EF-11-.63 SHCS
(4) EF-2 T-nut

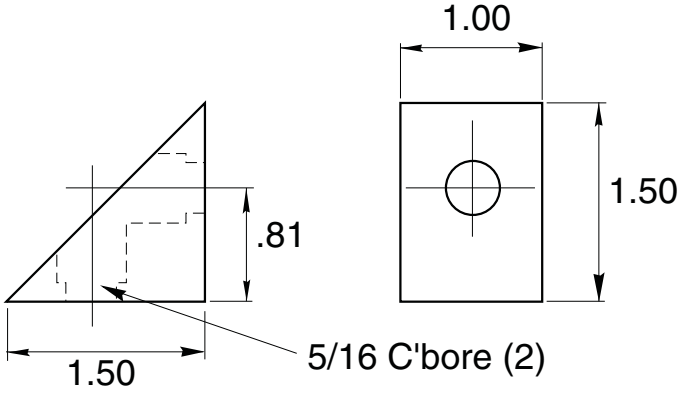
Material - Aluminum
Finish - Clear Anodize

Corner Gusset
(used with EX-52 and EX-54)

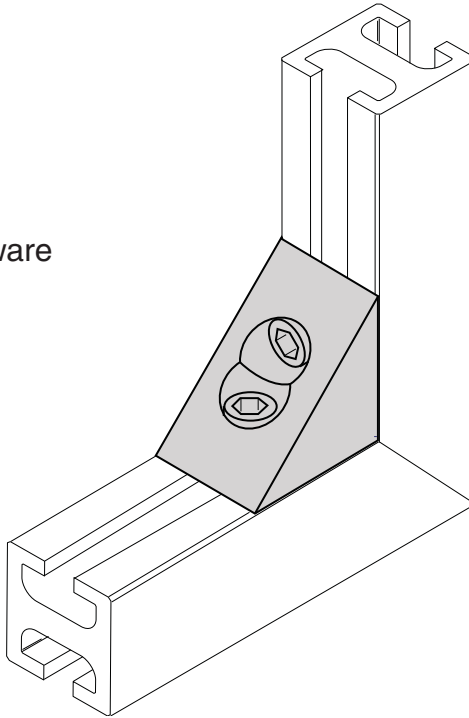


EB-20

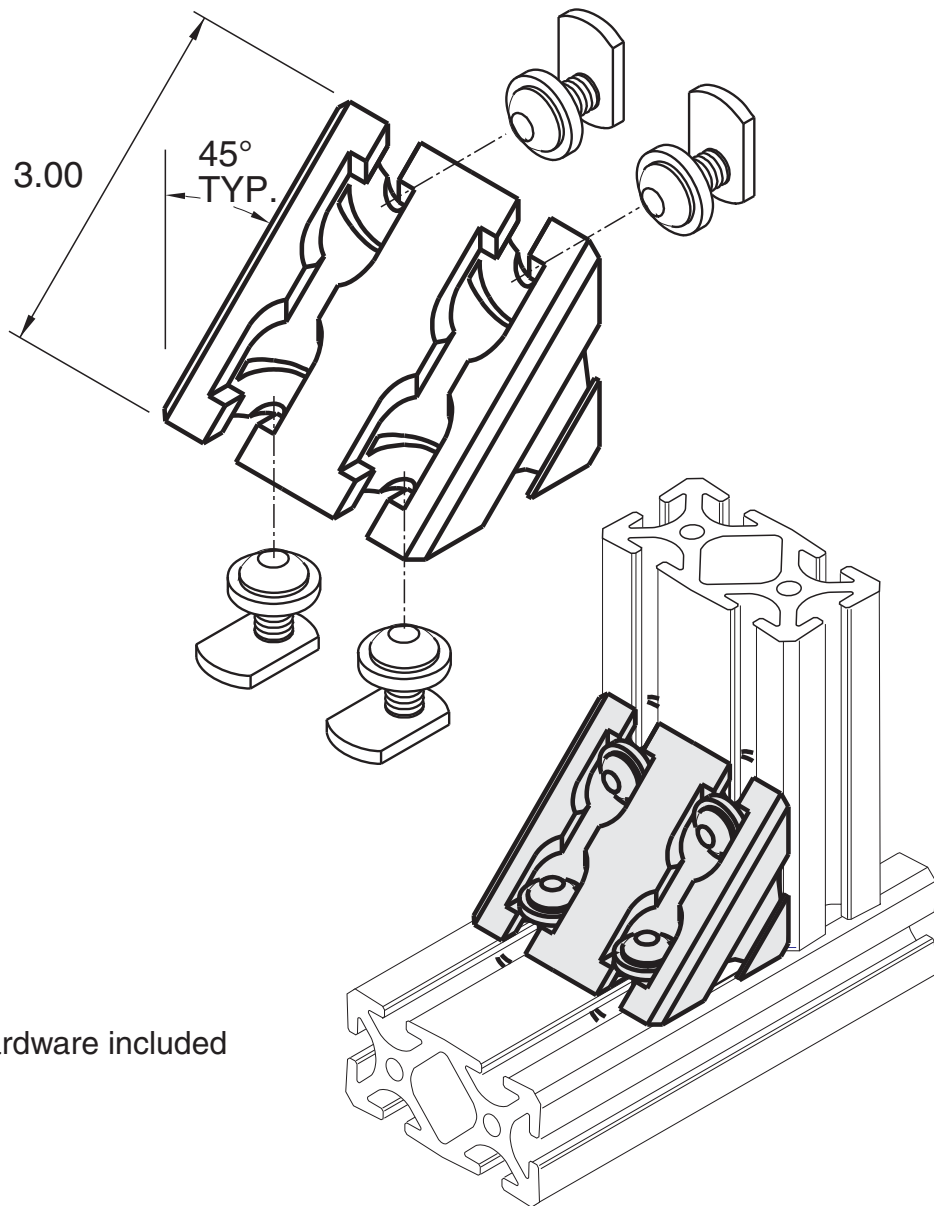
5/16" SLOTS



Recommended Hardware
(4) EF-11-.63 SHCS
(4) EF-2 T-nut



Material - Aluminum
Finish - Clear Anodize



Hardware included

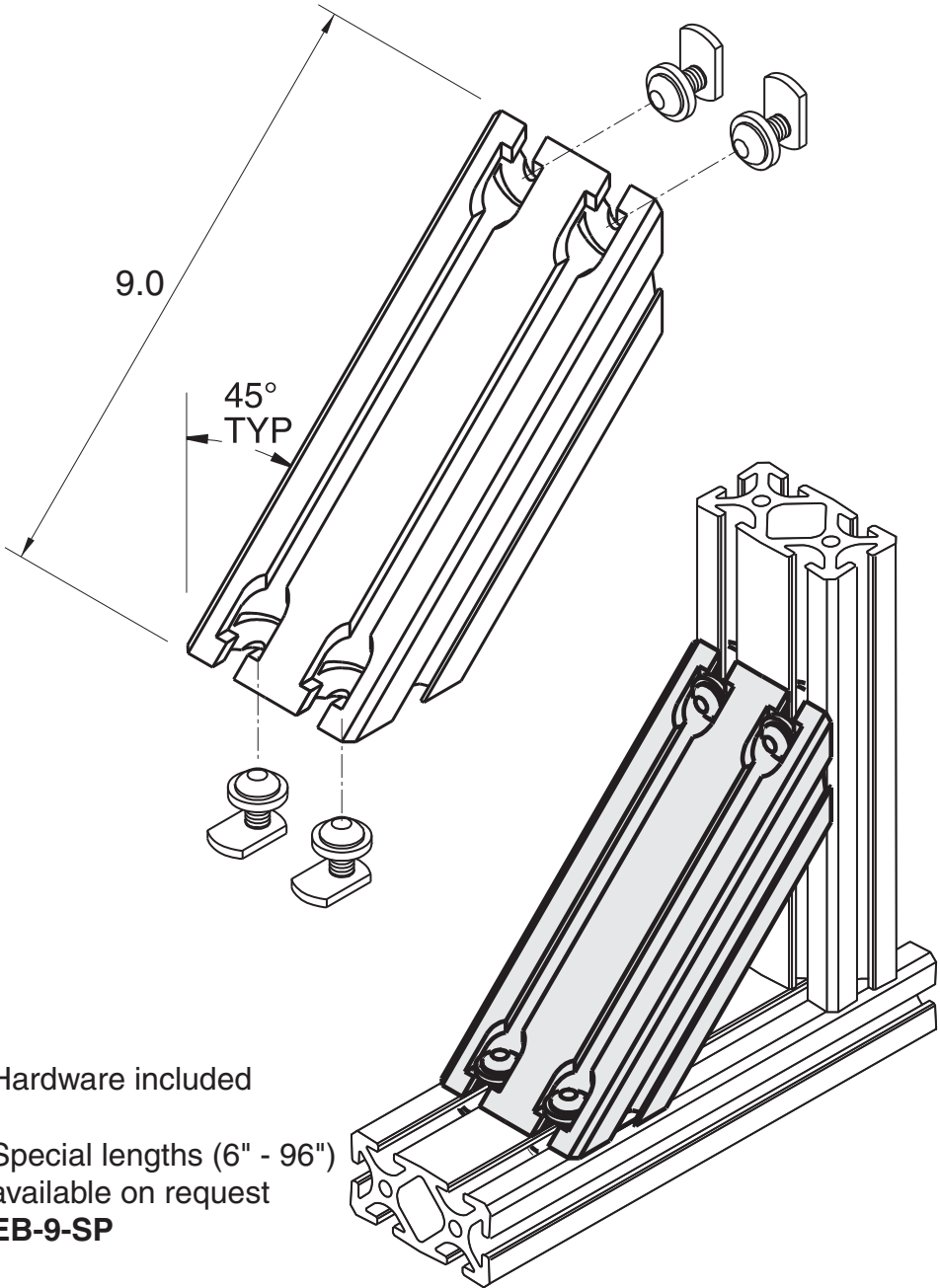
Material - Aluminum (EX-2)
Finish - Clear Anodize

1.5 x 3.0 Extrusion
Corner Gusset



EB-9

5/16" SLOTS



Hardware included

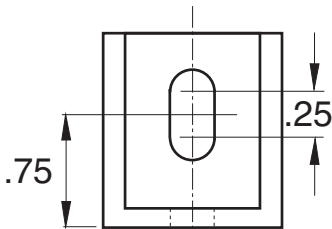
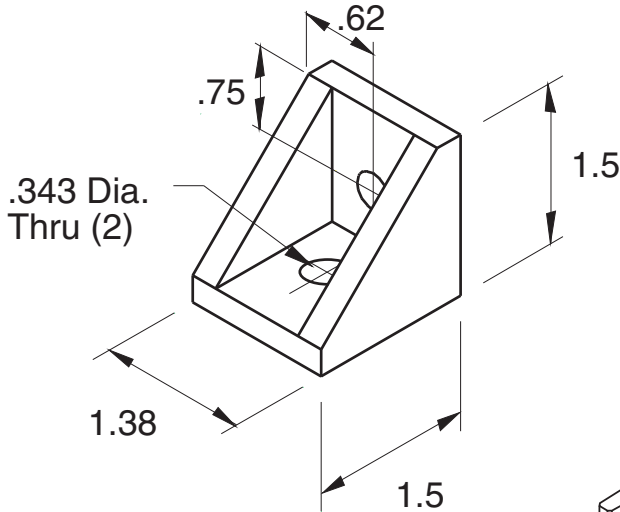
Special lengths (6" - 96")
available on request
EB-9-SP

Material - Aluminum (EX-2)
Finish - Clear Anodize

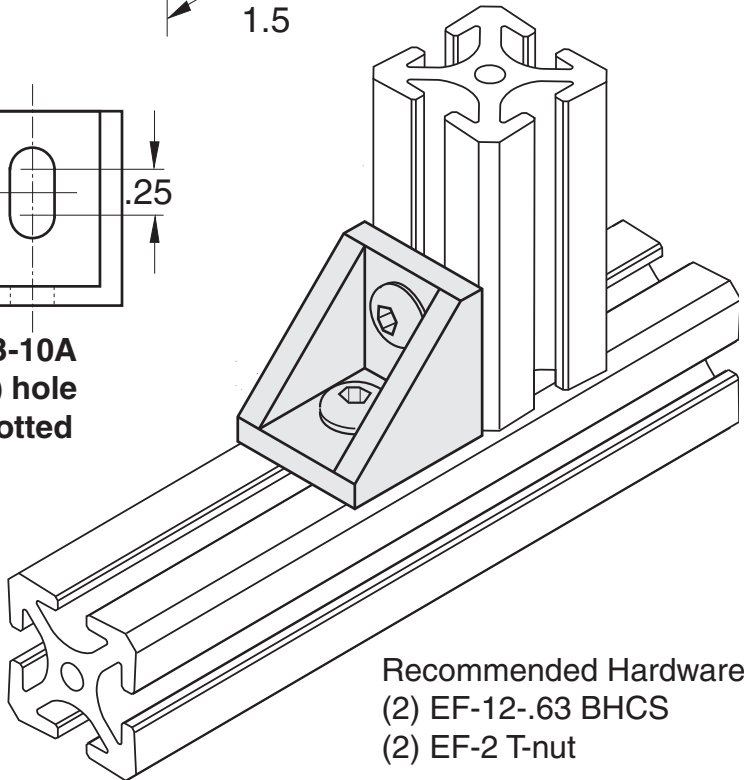
EB-10

Slotted

EB-10A



**EB-10A
(1) hole
slotted**



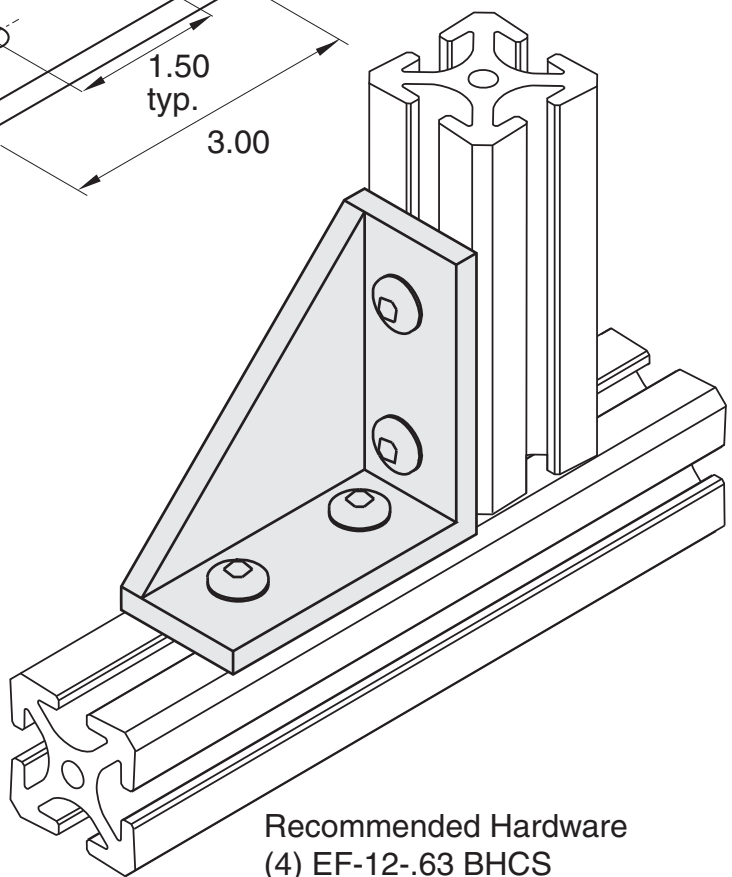
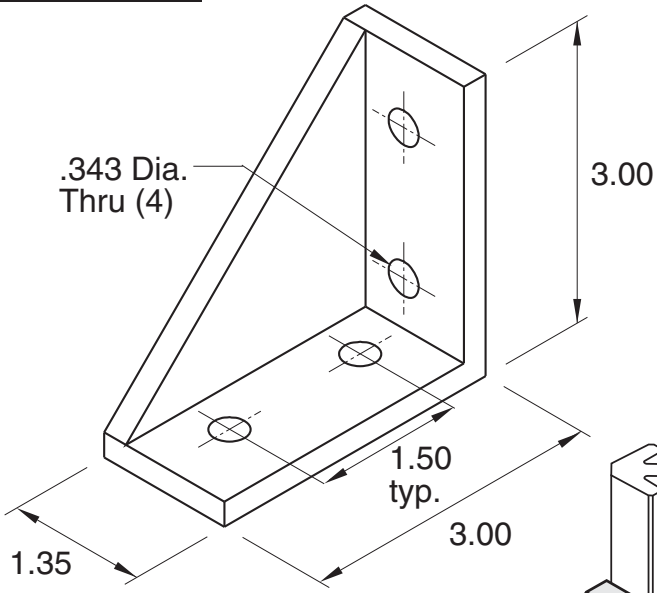
Recommended Hardware
(2) EF-12-.63 BHCS
(2) EF-2 T-nut

Material - Aluminum
Finish - Grey Powder Coat

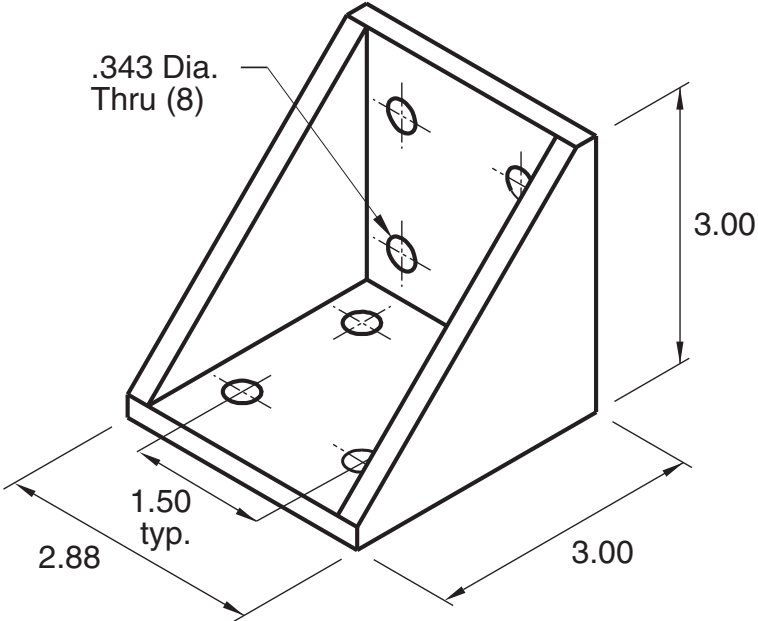
5/16" SLOTS

EB-11

5/16" SLOTS

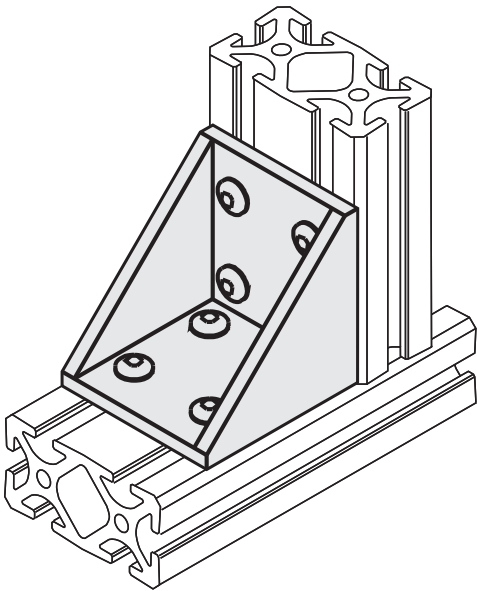


Material - Aluminum
Finish - Grey Powder Coat



5/16" SLOTS

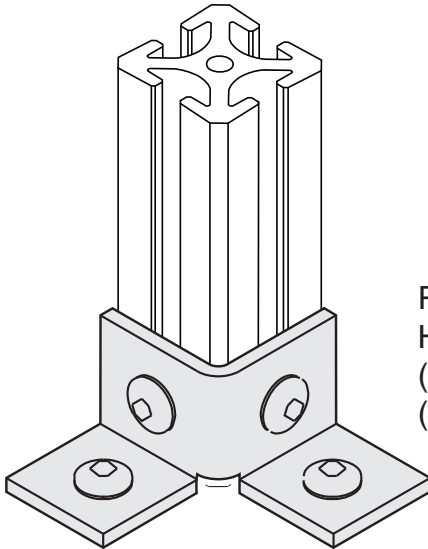
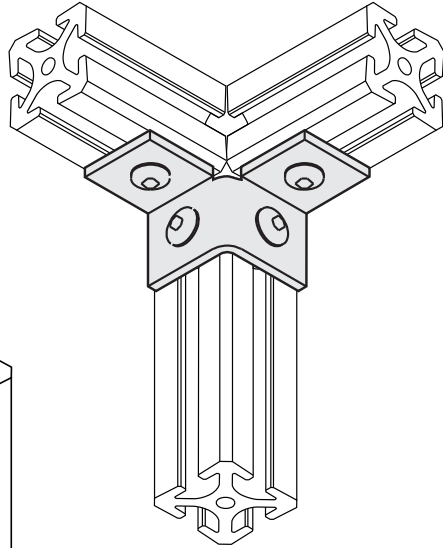
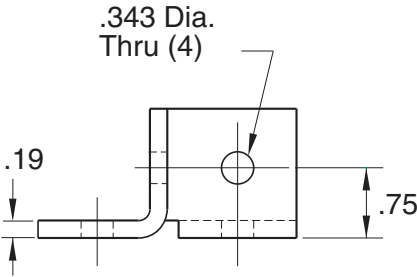
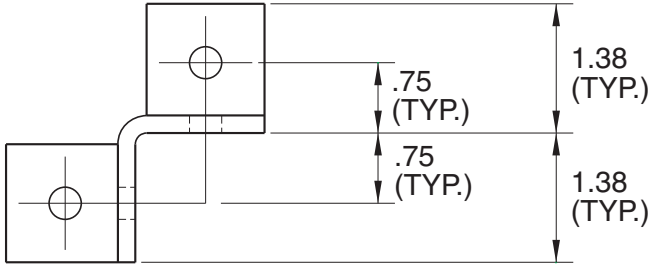
Recommended Hardware
 (8) EF-12-.63 BHCS
 (8) EF-2 T-nut



Material - Aluminum
Finish - Grey Powder Coat

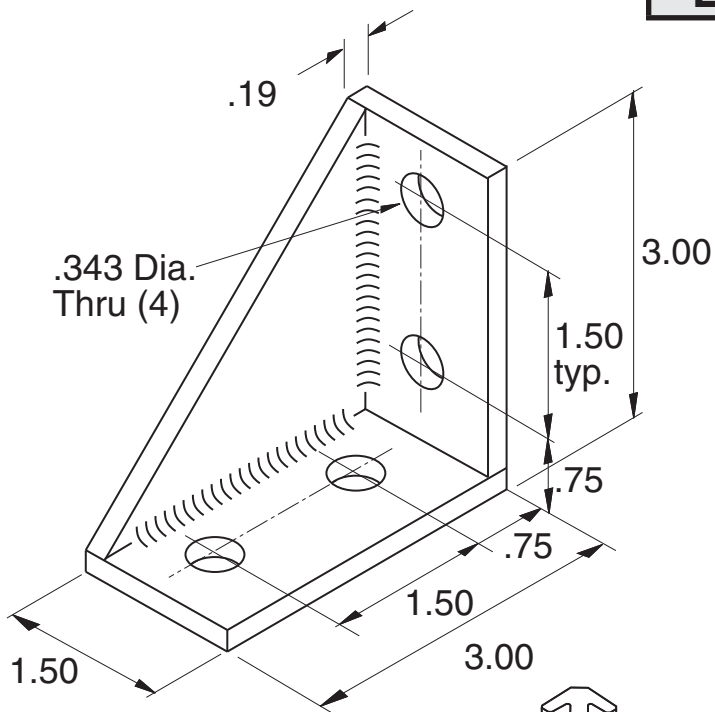
EB-17

5/16" SLOTS



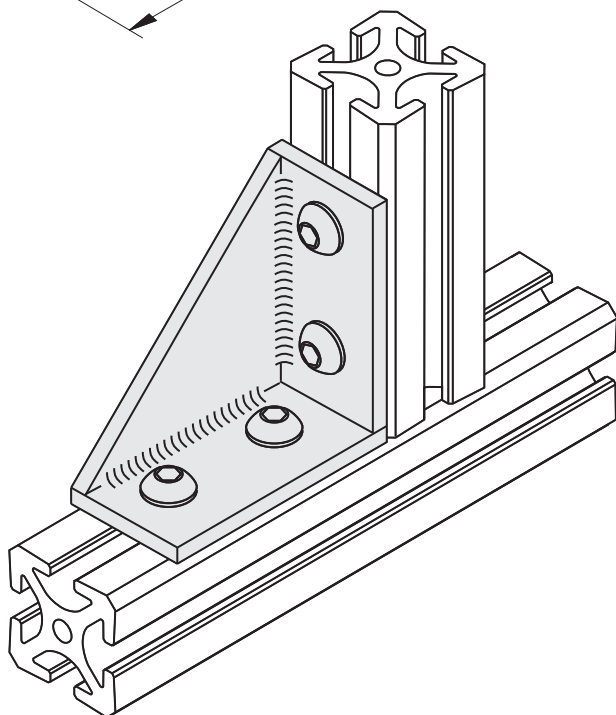
Recommended
Hardware
(4) EF-12-.63 BHCS
(4) EF-2 T-nut

Material - Steel
Finish - Zinc Plated



5/16" SLOTS

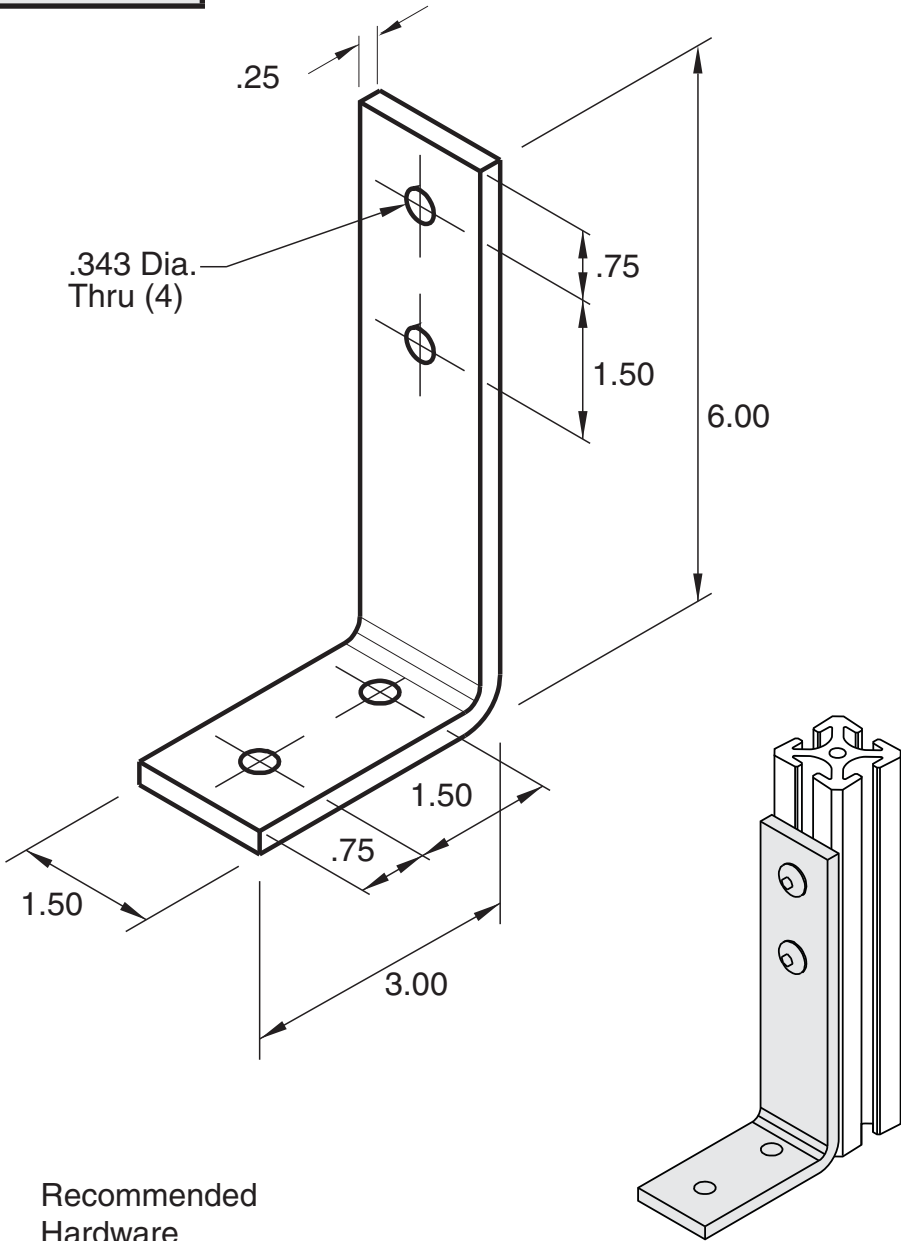
Recommended
Hardware
(4) EF-12-.63 BHCS
(4) EF-2 T-nut



Material - Steel
Finish - Black Powder Coat

EB-15P

5/16" SLOTS

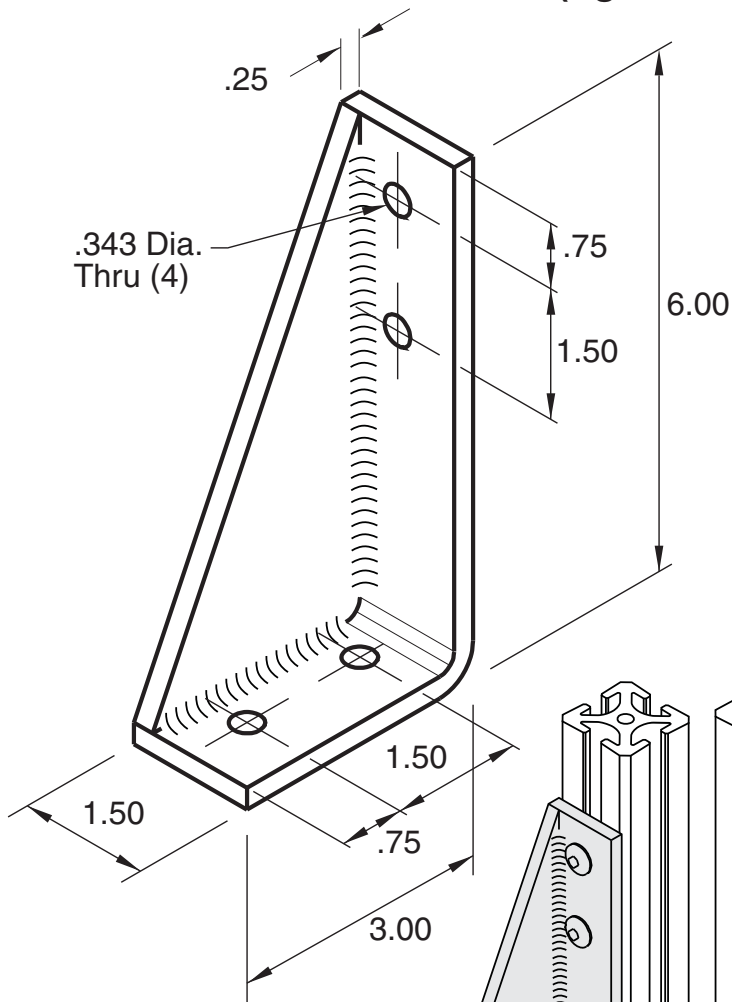


Recommended
Hardware
(4) EF-12-.63 BHCS
(4) EF-2 T-nut

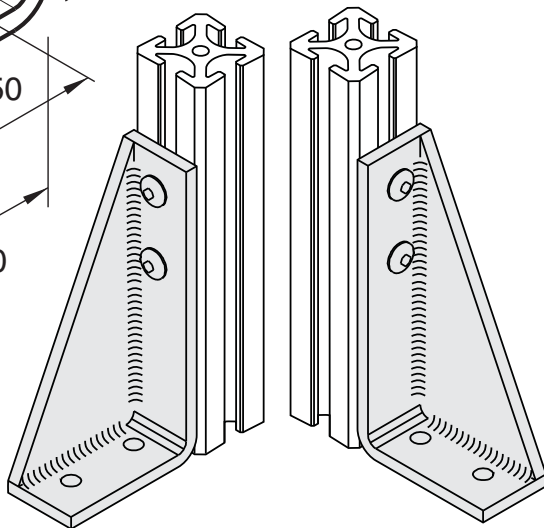
Material - Steel
Finish - Black Powder Coat

**EB-15LH (left hand)
EB-15RH (right hand)**

EB-15



5/16" SLOTS



**EB-15LH
(left hand)**

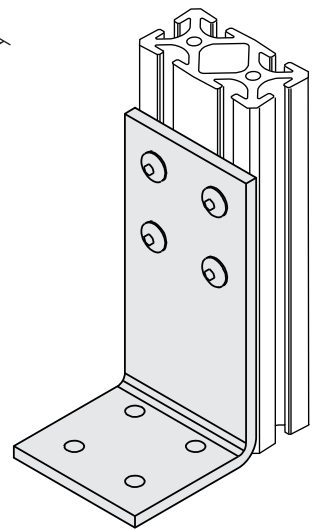
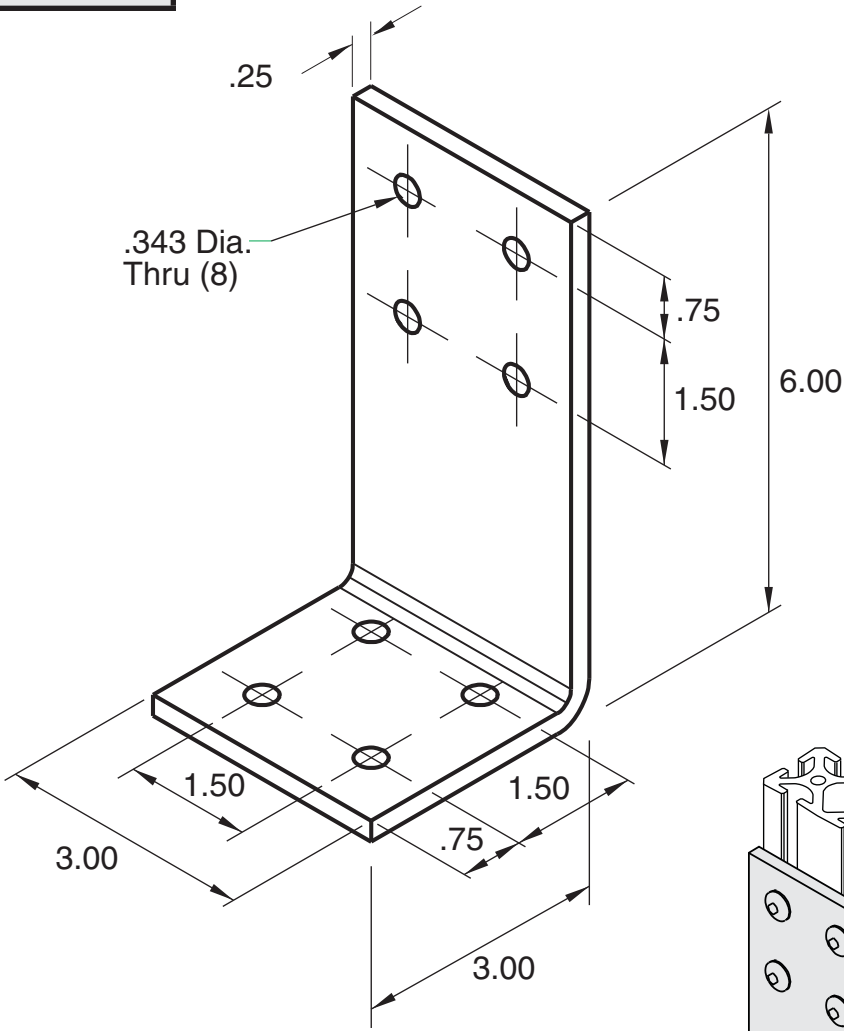
**EB-15RH
(right hand)**

Recommended
Hardware
(4) EF-12-.63 BHCS
(4) EF-2 T-nut

Material - Steel
Finish - Black Powder Coat

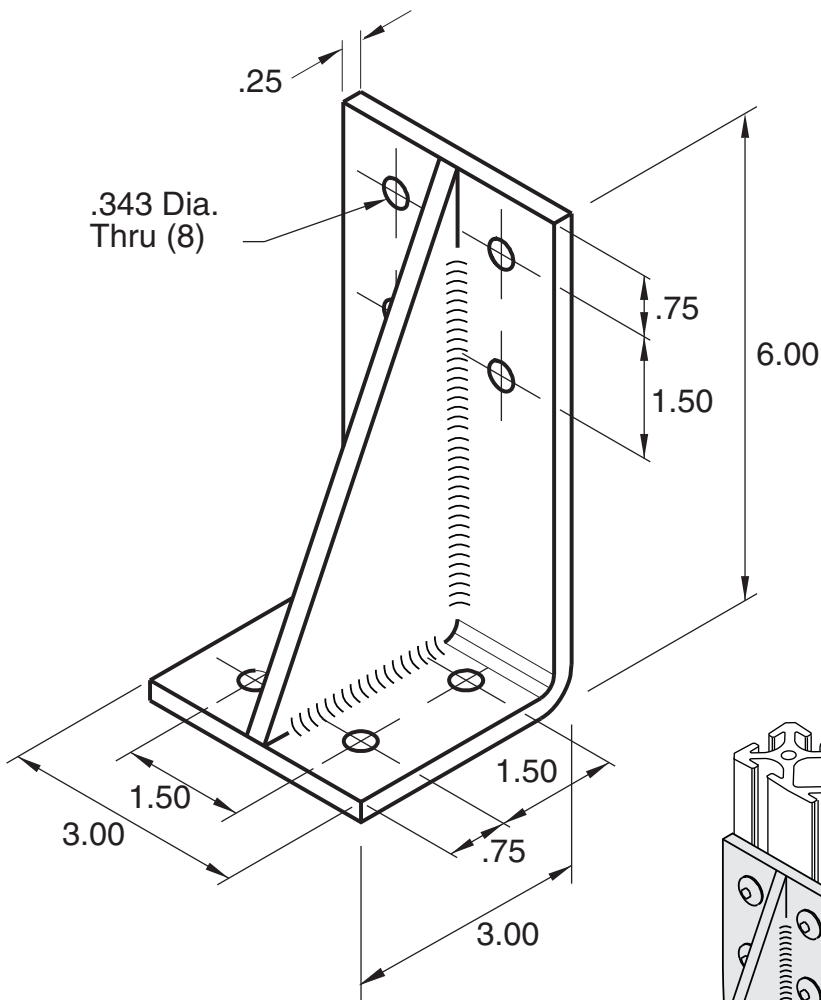
EB-14P

5/16" SLOTS

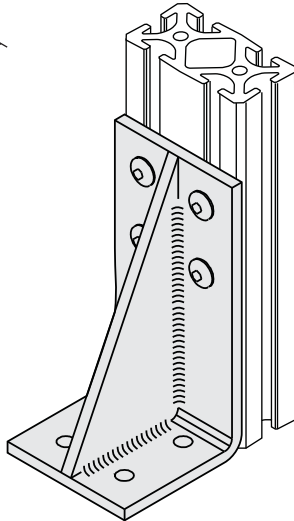


Recommended Hardware
(8) EF-12-.63 BHCS
(8) EF-2 T-nut

Material - Steel
Finish - Black Powder Coat



5/16" SLOTS

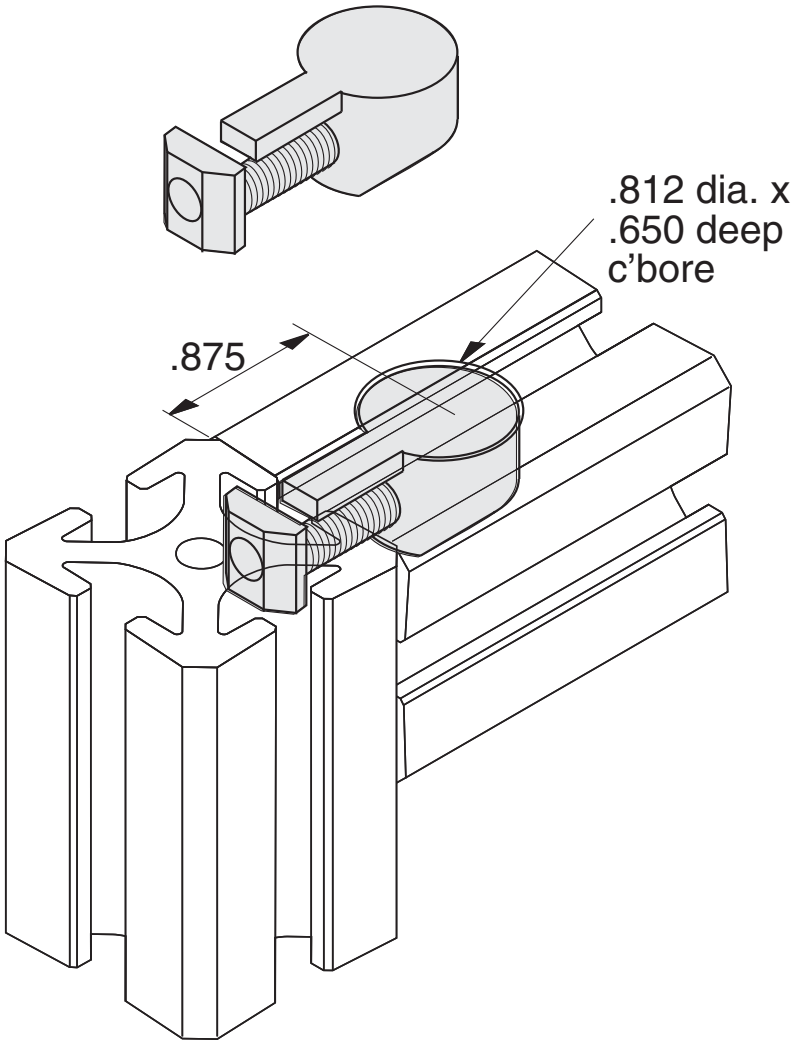


Recommended
Hardware
(8) EF-12-.63 BHCS
(8) EF-2 T-nut

Material - Steel
Finish - Black Powder Coat

EF-62	with hardware
EF-62P	without hardware
EF-62M	with metric hardware
EF-62SS	with stainless steel bolt

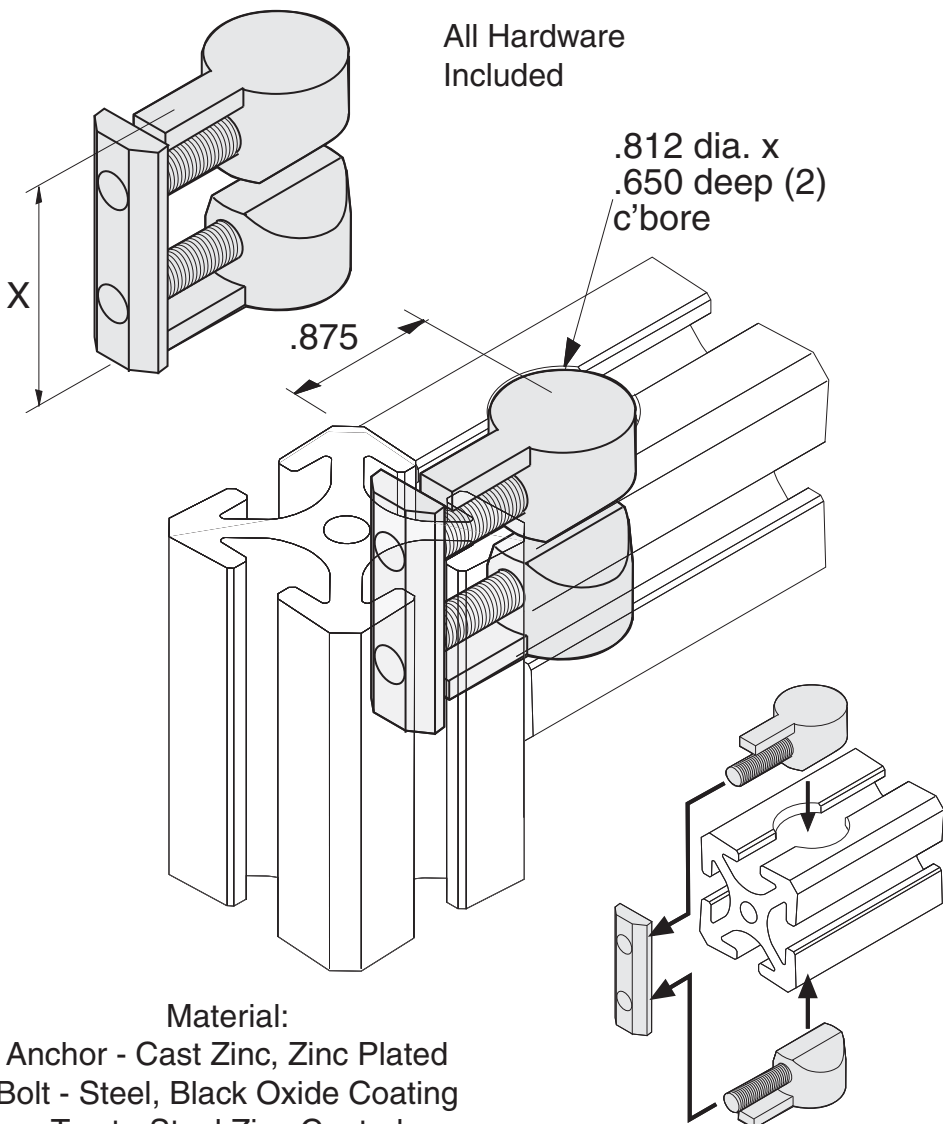
5/16" SLOTS



Material:
Anchor - Cast Zinc, Zinc Plated
Bolt - Steel, Black Oxide Coating
T-nut - Steel Zinc Coated

X = 1.50 in.	EF-63
X = 1.50 in. with metric hardware	EF-63M
X = 1.50 in. with stainless steel bolt	EF-63SS
X = 3.0 in.	EF-64
X = 3.0 in. with metric hardware	EF-64M
X = 3.0 in. with stainless steel bolt	EF-64SS

5/16" SLOTS



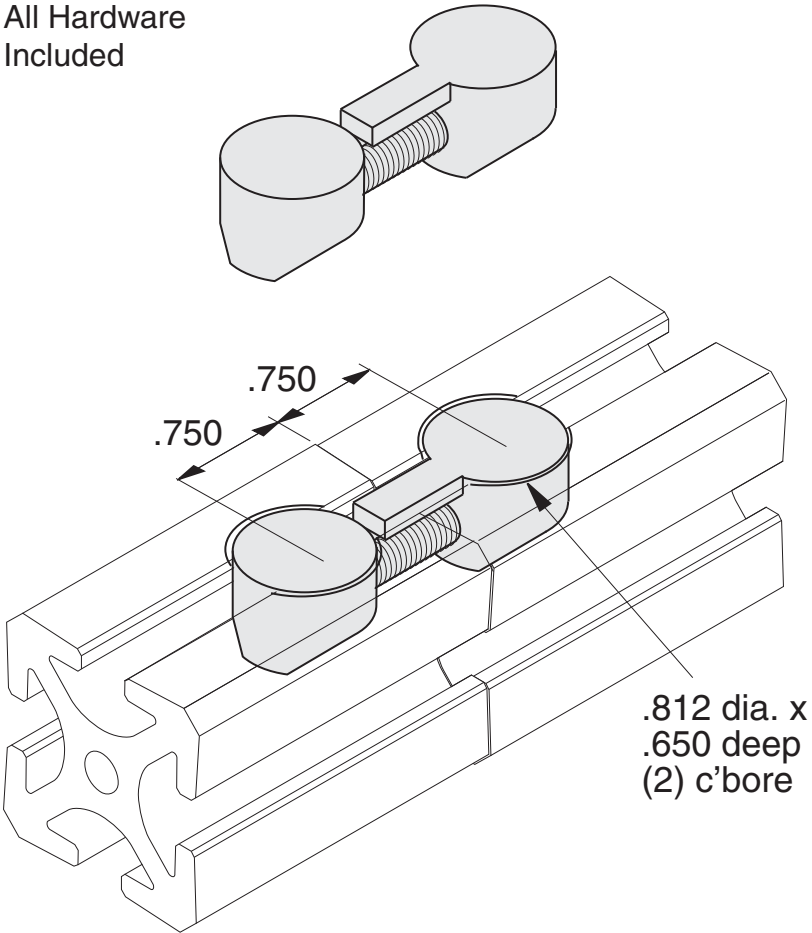
Anchor Butt Fastener



EF-61
EF-61M
EF-61SS

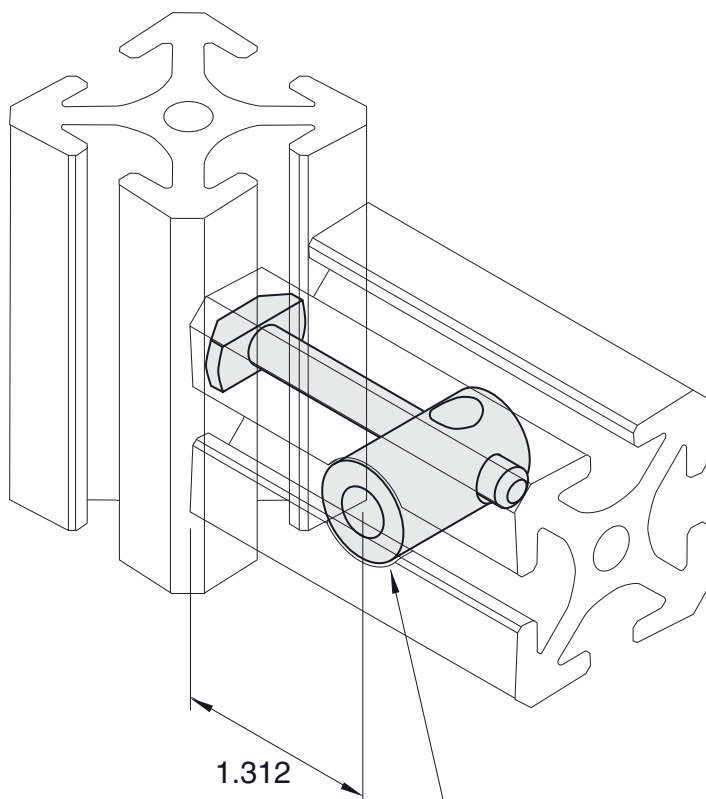
with metric hardware
with stainless steel bolt

All Hardware
Included



Material:

Anchor - Cast Zinc, Zinc Plated
Bolt - Steel, Black Oxide Coating
T-nut - Steel Zinc Coated

**5/16" SLOTS****DRILL \varnothing 5/8" X 1.00 DEEP**

Hardware Included

Use with 5/16" Slot Extrusions Only

Material

Anchor - Cold Rolled Steel

Bolt - Cold Rolled Steel

Set Screw - Steel, Black Oxide Coating

Plate Connector

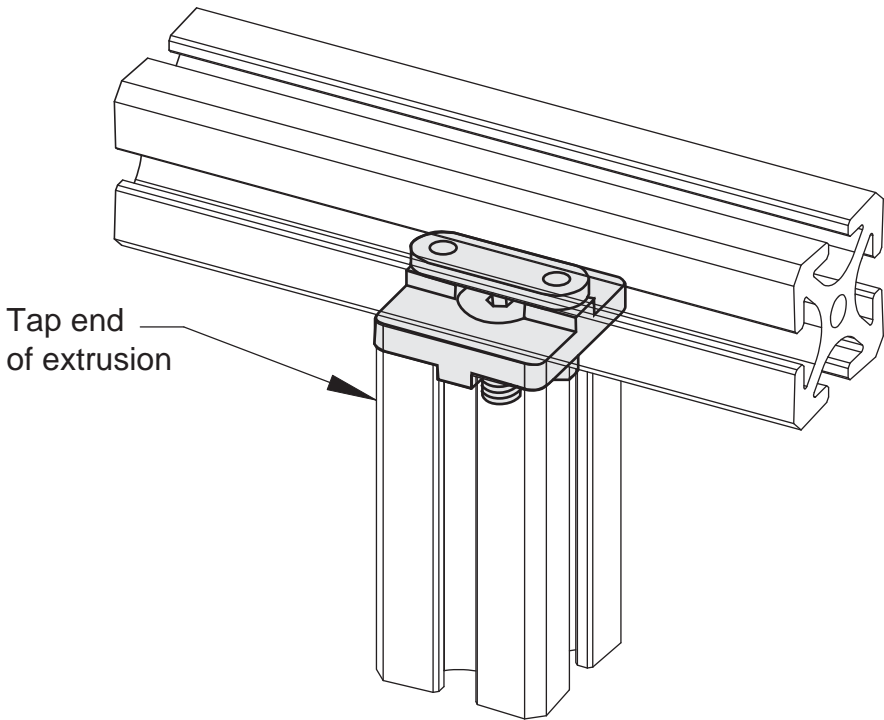
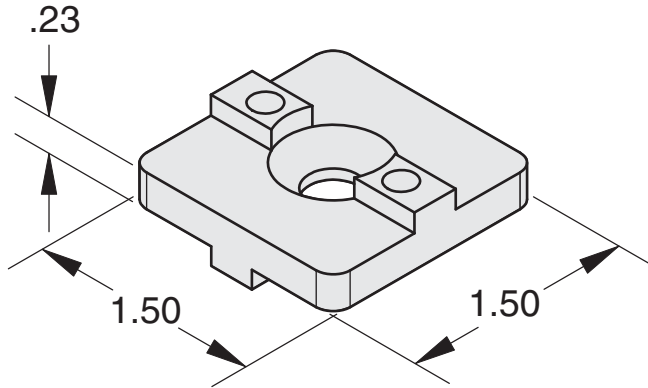


EF-100
EF-100M

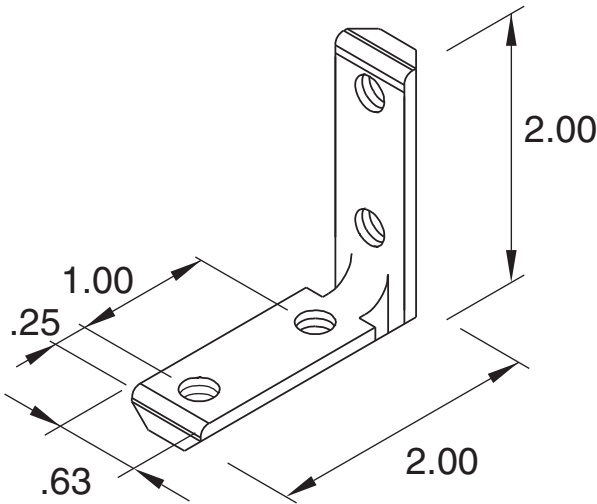
hardware included

metric hardware included

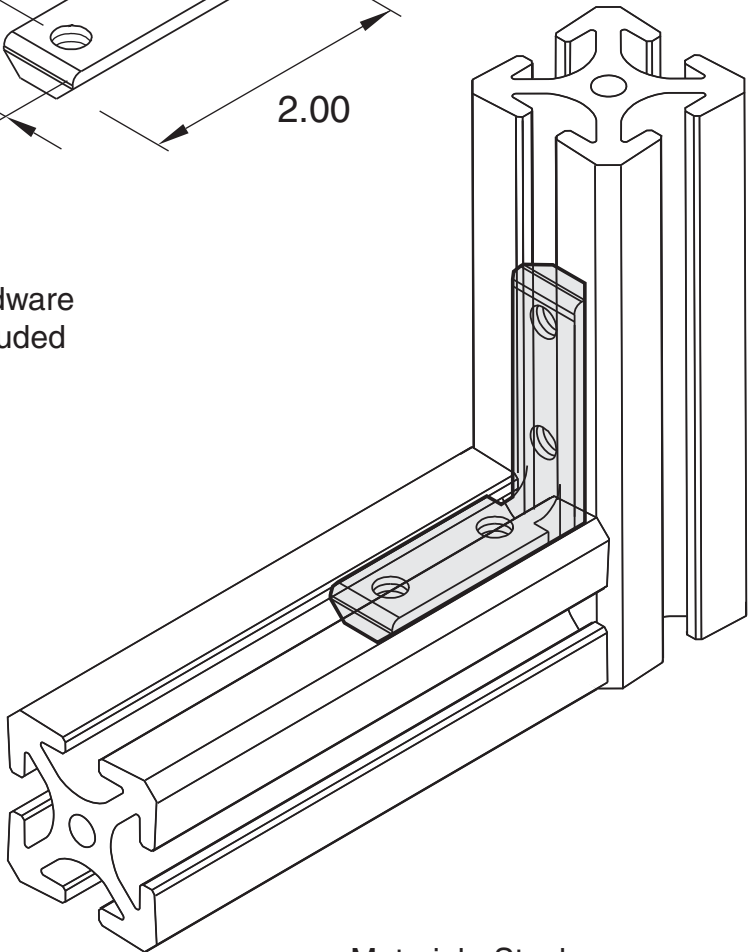
5/16" SLOTS



Material - Cast Zinc
Finish - Zinc Plated



Hardware
Included



5/16" SLOTS

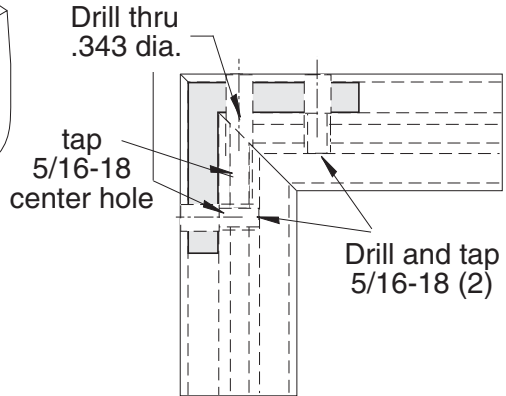
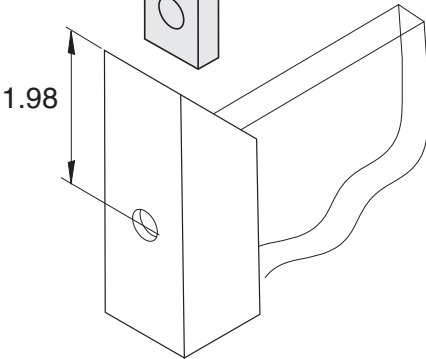
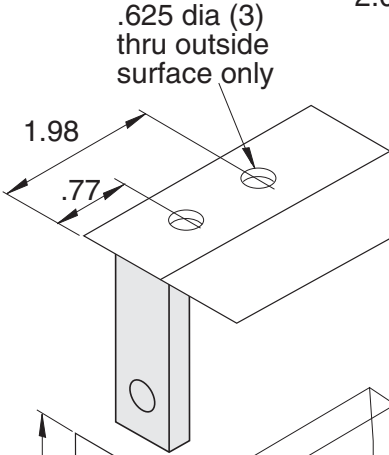
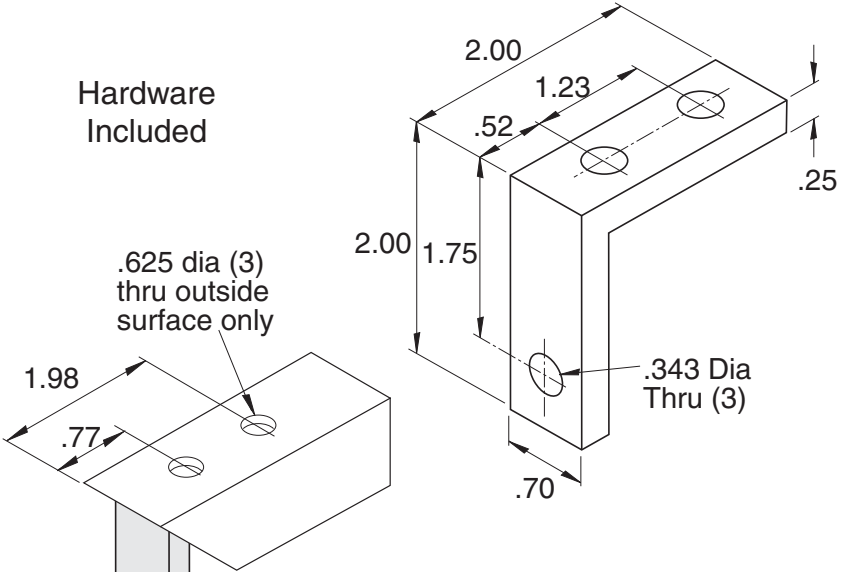
Material - Steel
Finish - Zinc Plated

Internal Corner Bracket



EF-27A use with EX-52 and EX-54

Hardware
Included



Note: This is the strongest door corner available anywhere.

Material - Steel
Finish - Zinc Plated

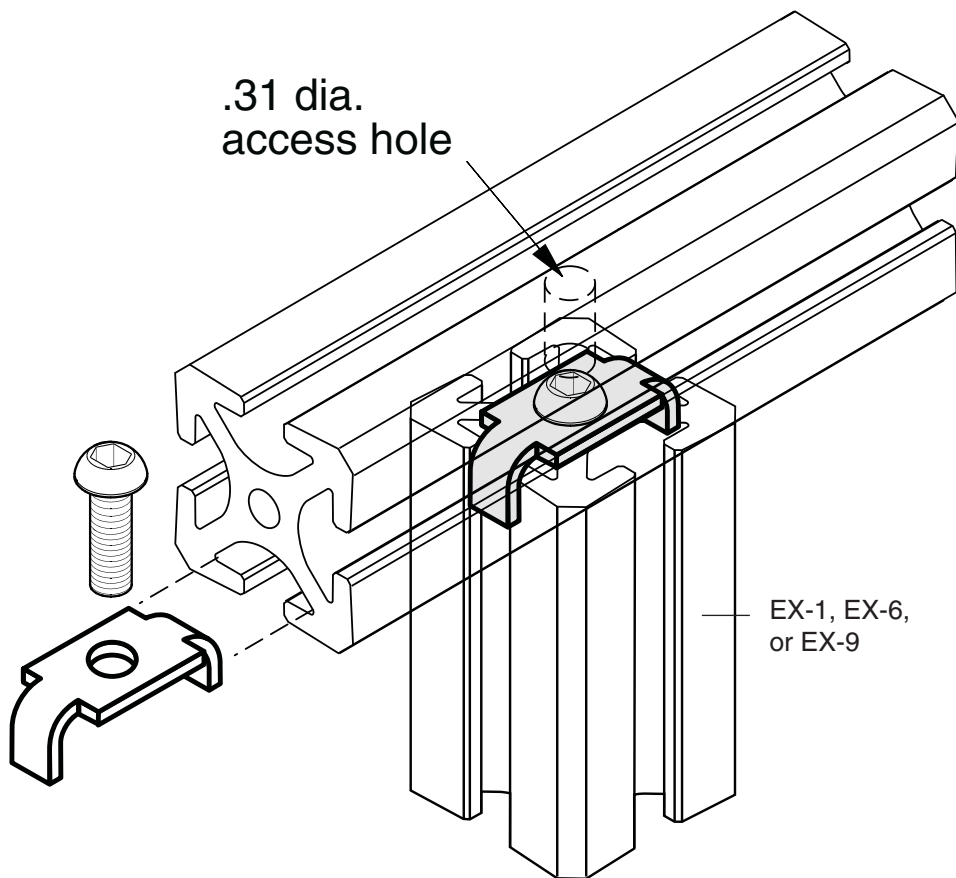
5/16" SLOTS

zinc plated steel

EF-29

stainless steel

EF-SS29



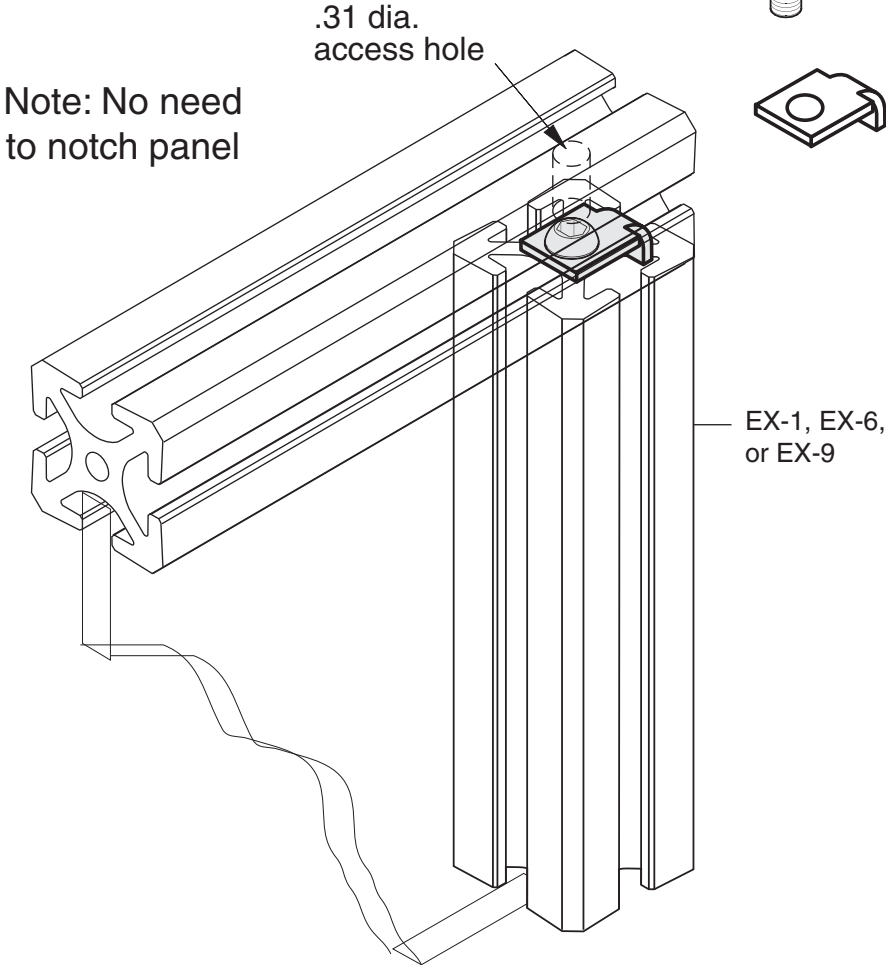
Requires (1) EF-12-1.0 BHCS

Universal Connector



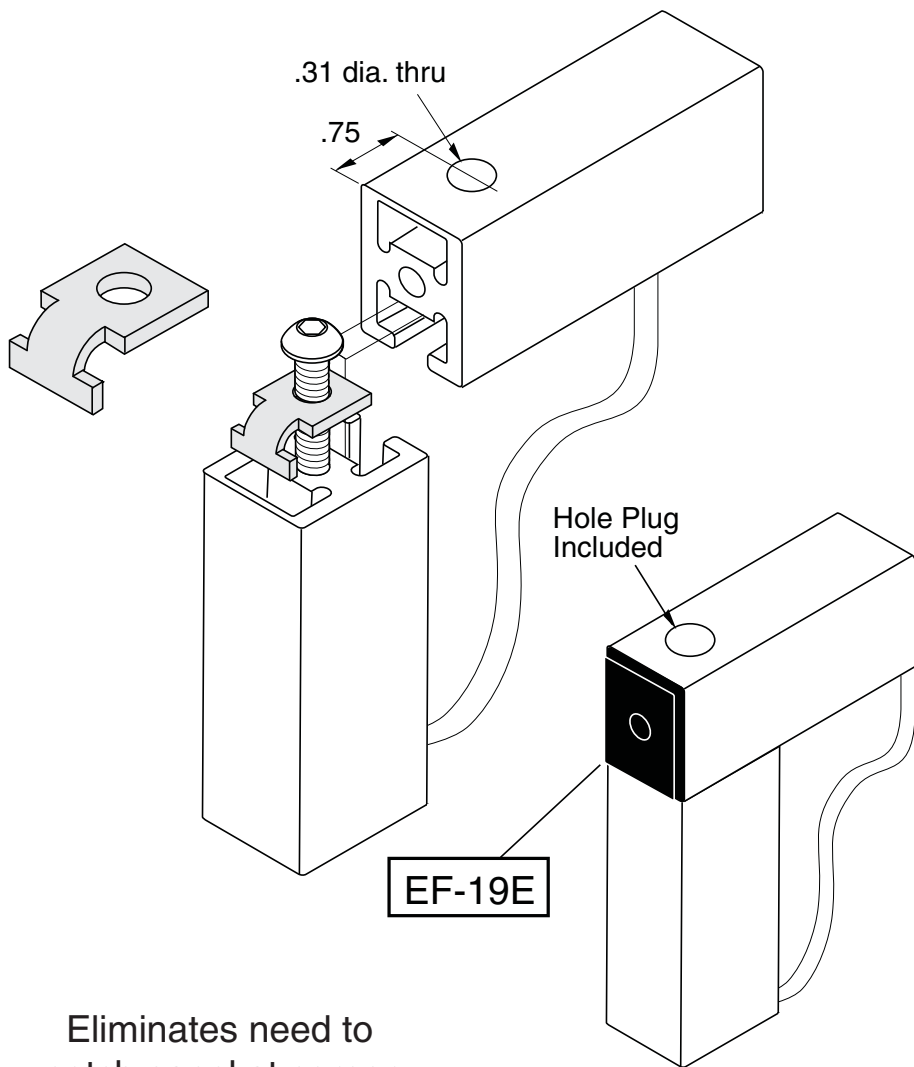
EF-29A	zinc plated steel
EF-SS29A	stainless steel

5/16" SLOTS



Requires (1) EF-12-1.0 BHCS

Use with *SMOOTH-Series* profiles
EX-52, EX-54, EX-61, EX-63, EX-64, EX-65

EF-29B

Eliminates need to
notch panel at corner

Requires (1) EF-12-1.0 BHCS

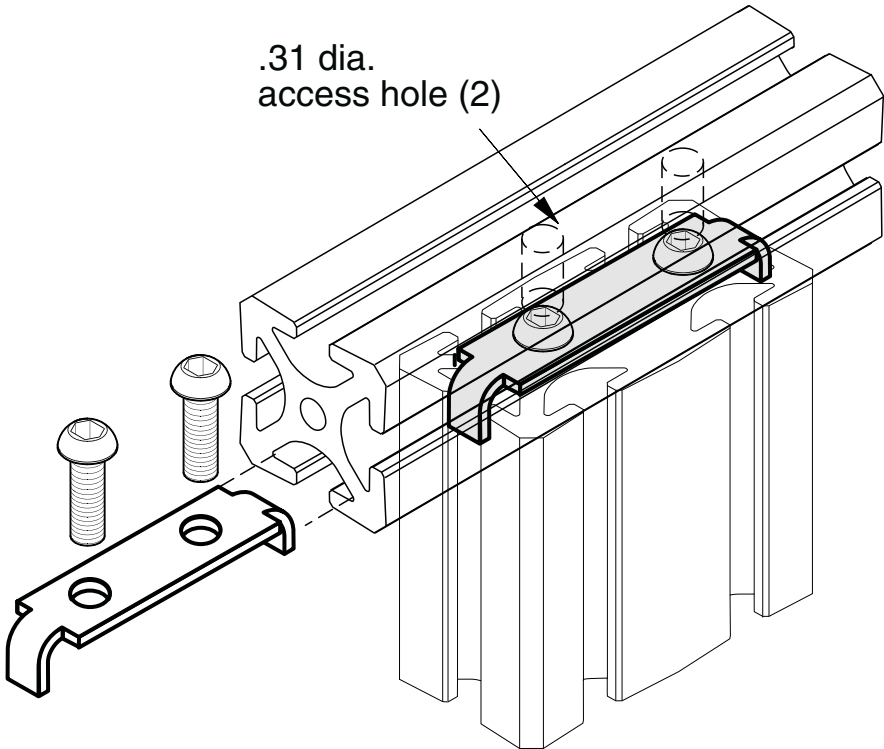
Material - Steel
Finish - Zinc Plated

Double Universal Connector



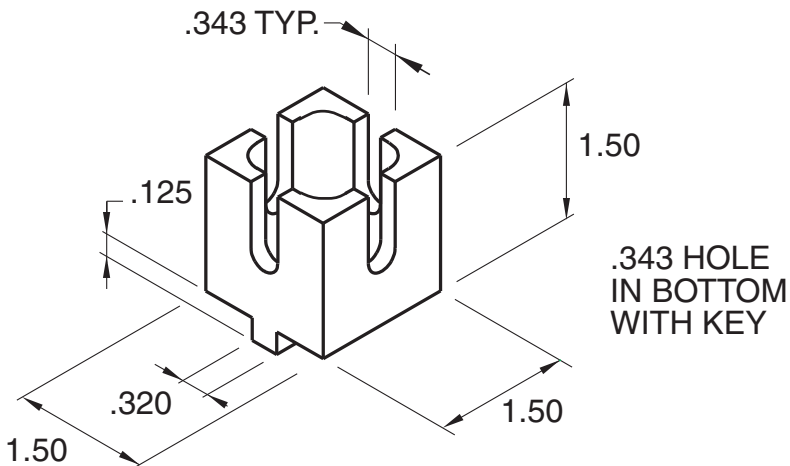
EF-29D .33 wide slot

5/16" SLOTS

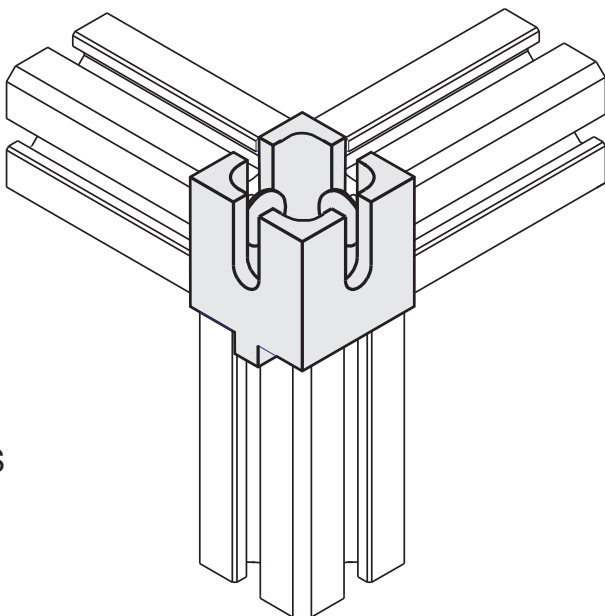


Requires (2) EF-12-1.0 BHCS

Material - Steel
Finish - Zinc Plated



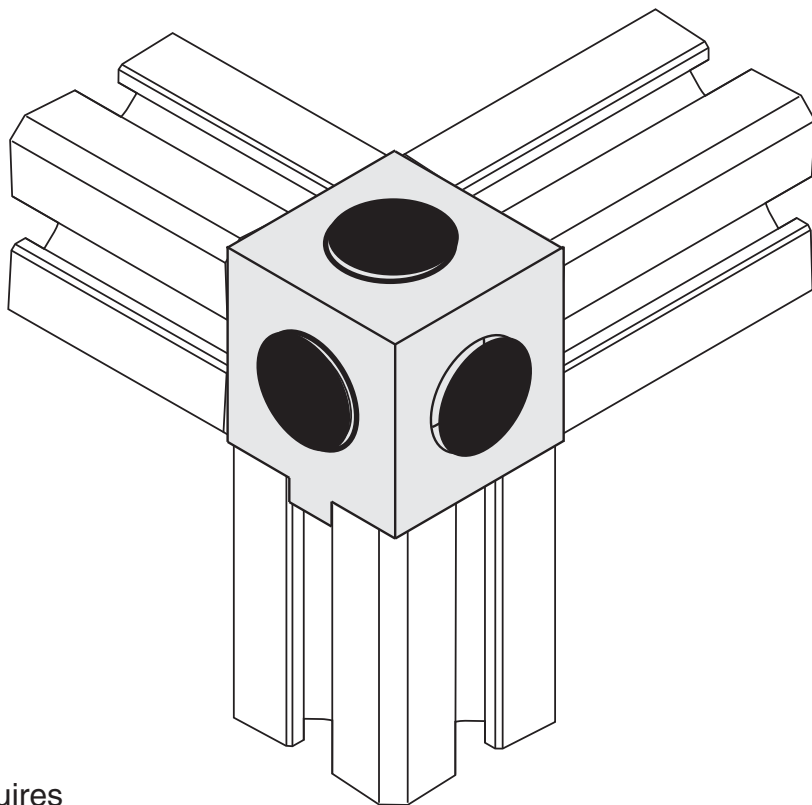
5/16" SLOTS



Requires
(3) EF-12-.75 BHCS

Material - Aluminum
Finish - Clear Anodize

ECC-A

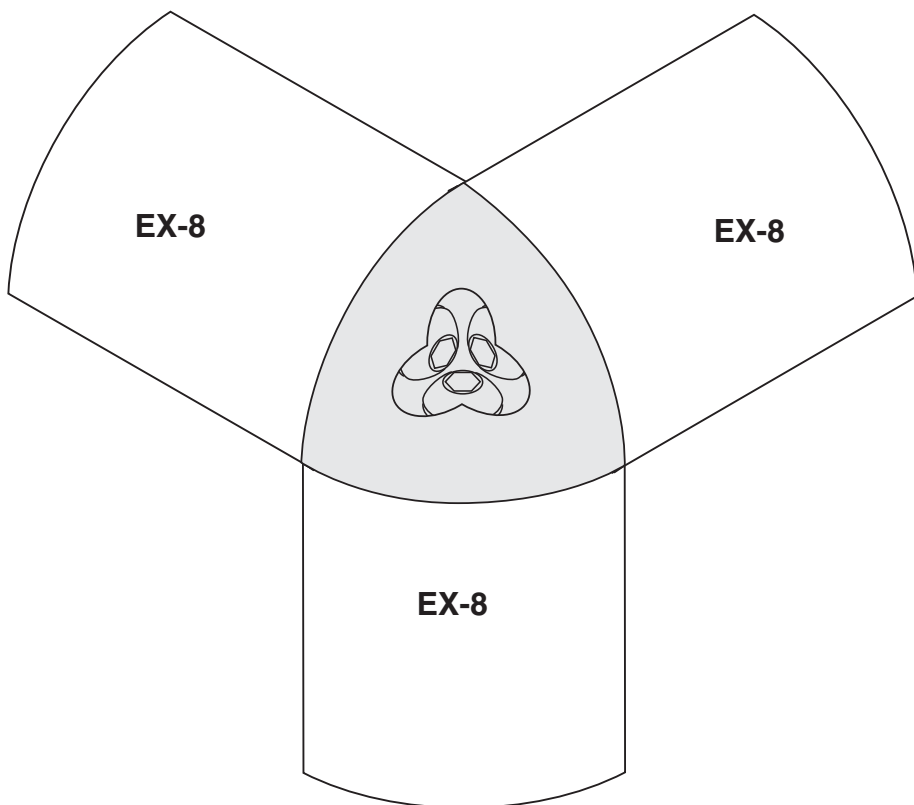


5/16" SLOTS

Requires
(3) EF-12-.75 BHCS

Hole plugs included

Material - Aluminum
Finish - Clear Anodize



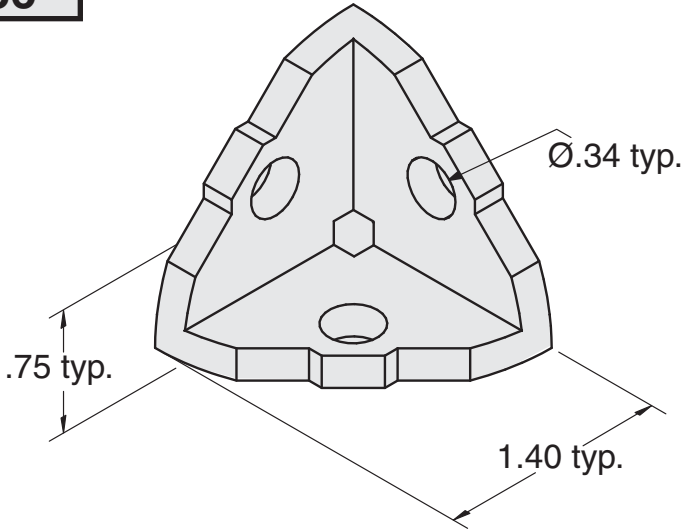
5/16" SLOTS

Hardware Included

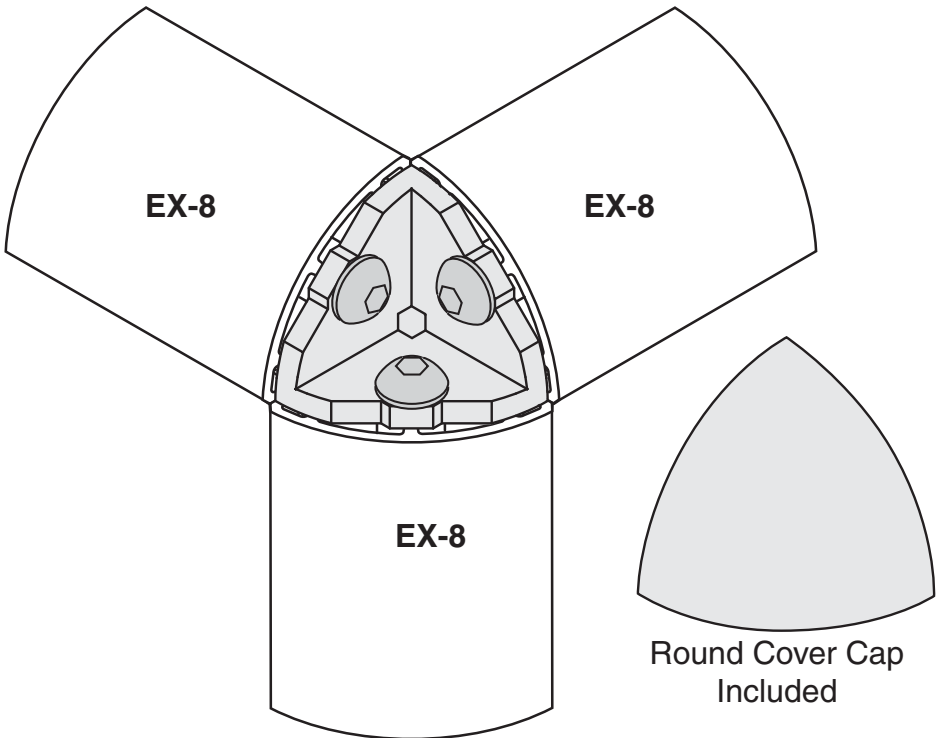
Material - Aluminum
Finish - Clear Anodize

EB-86

5/16" SLOTS

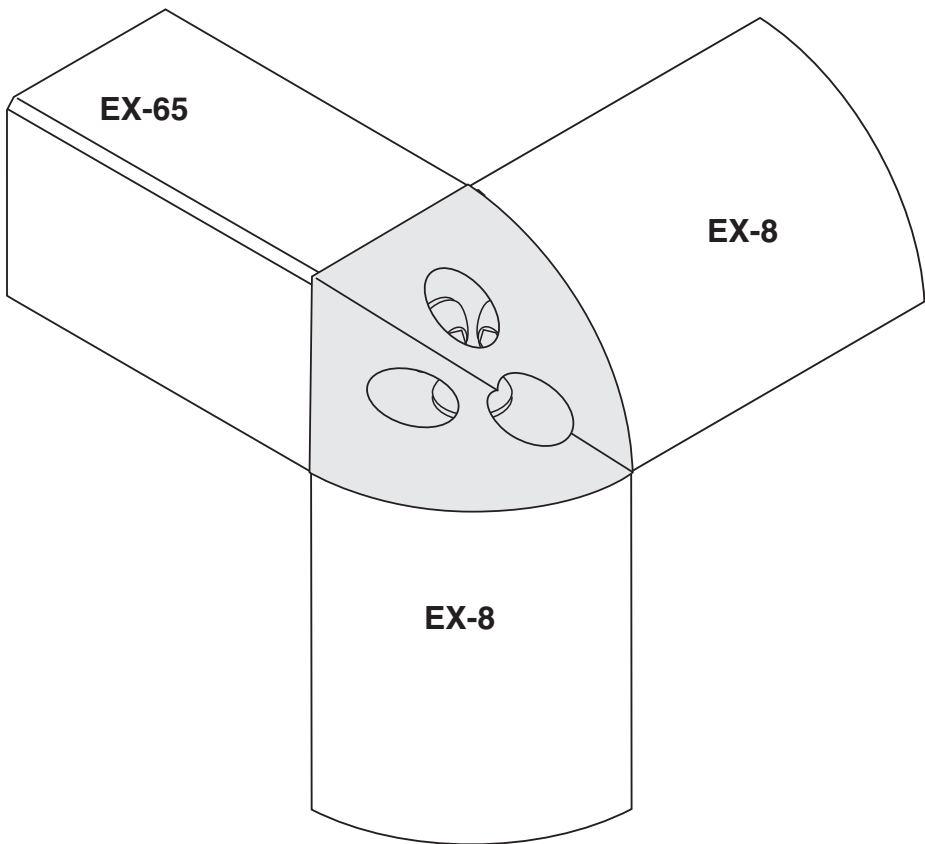


Hardware Included



Material -Bracket: Die Cast Zinc
Cap: Reinforced Nylon

5/16" SLOTS

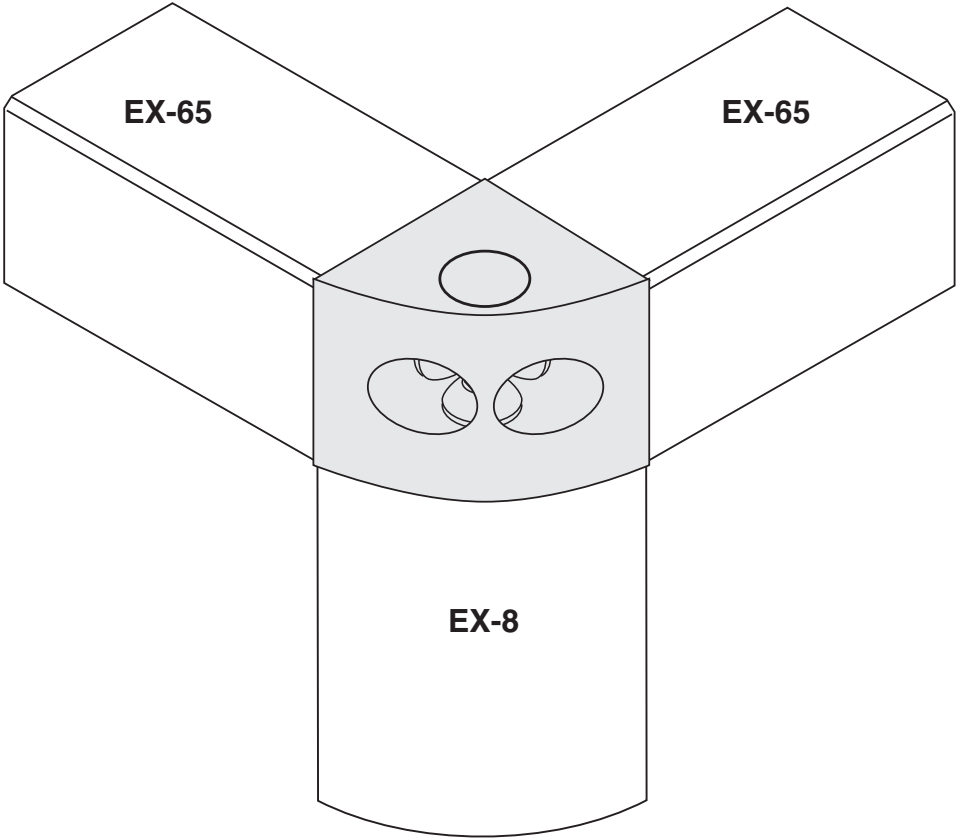


Hardware Included

Material - Aluminum
Finish - Clear Anodize

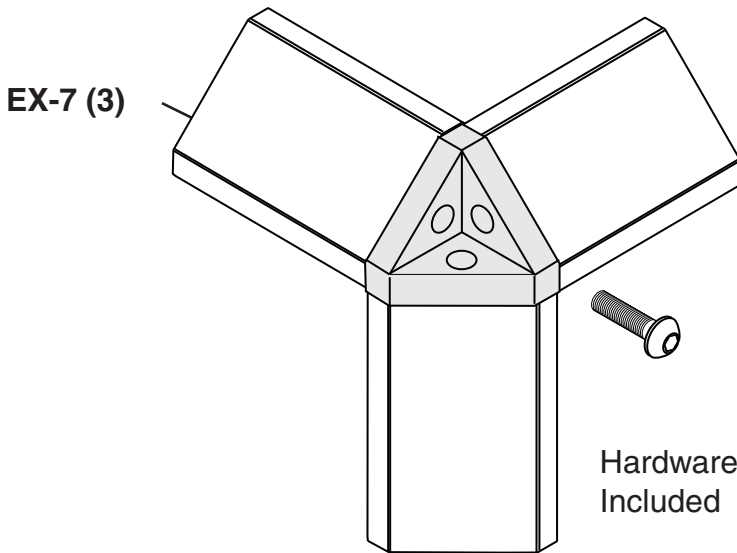
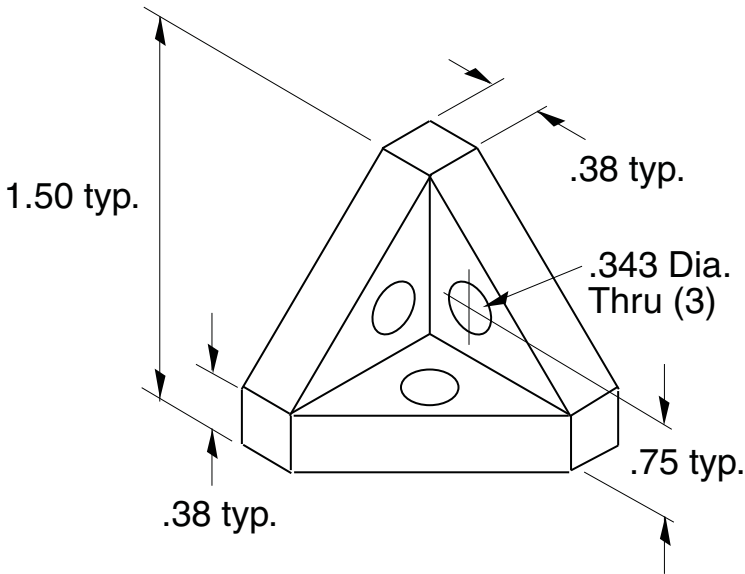
EB-54

5/16" SLOTS



Hardware Included

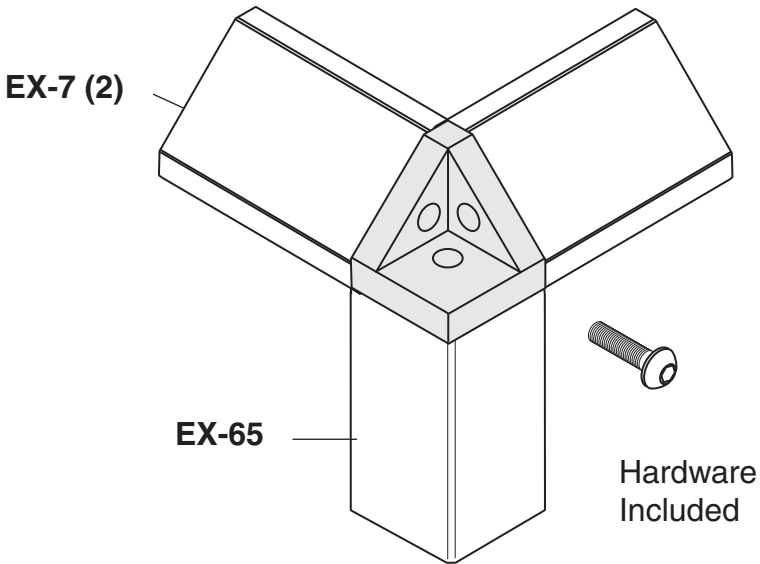
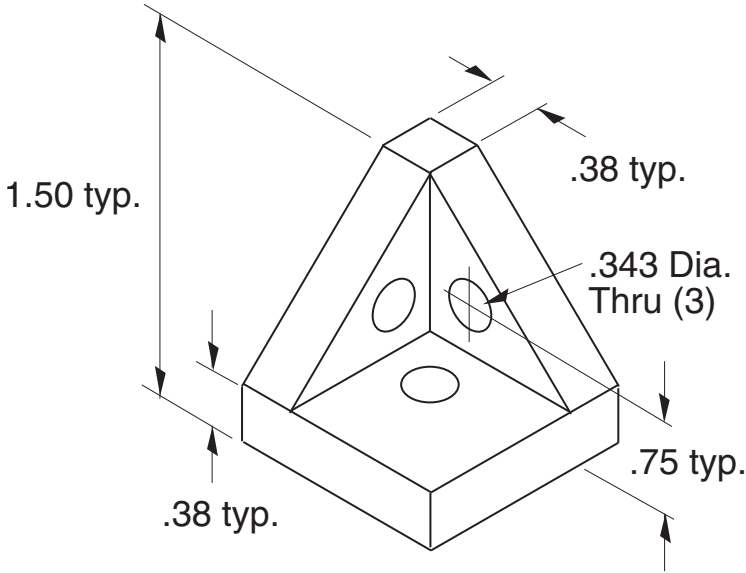
Material - Aluminum
Finish - Clear Anodize



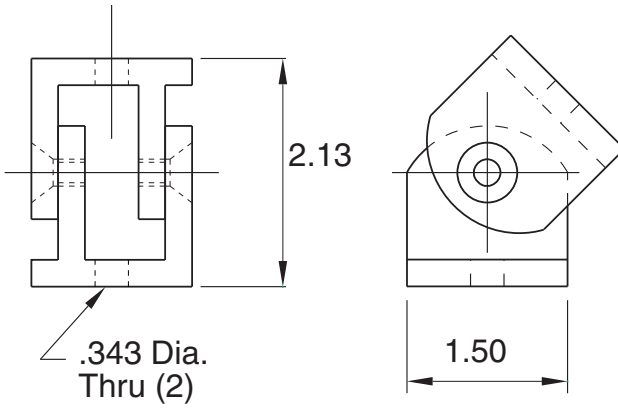
Material - Aluminum
Finish - Clear Anodize

EB-51

5/16" SLOTS

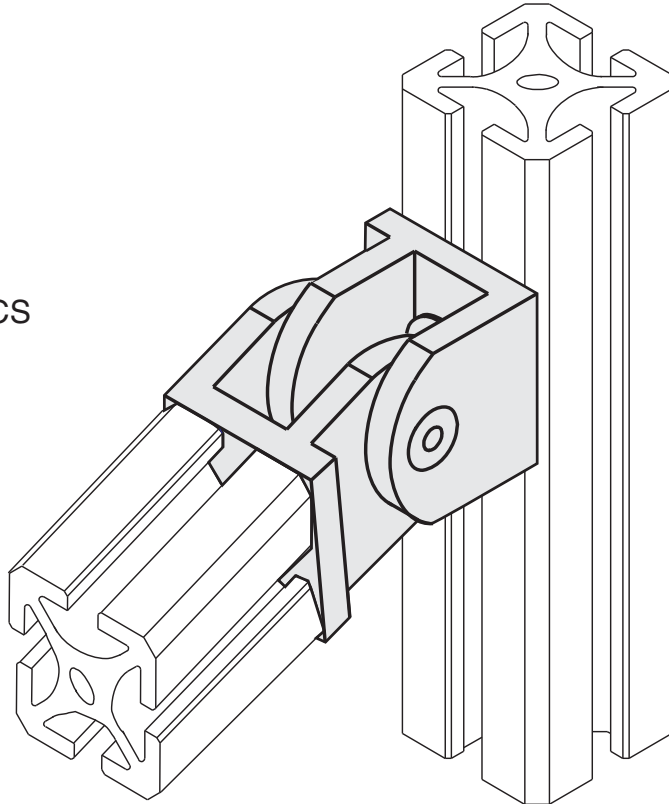


Material - Aluminum
Finish - Clear Anodize



5/16" SLOTS

Requires
(2) EF-11-.63 SHCS
(1) EF-2 T-nut



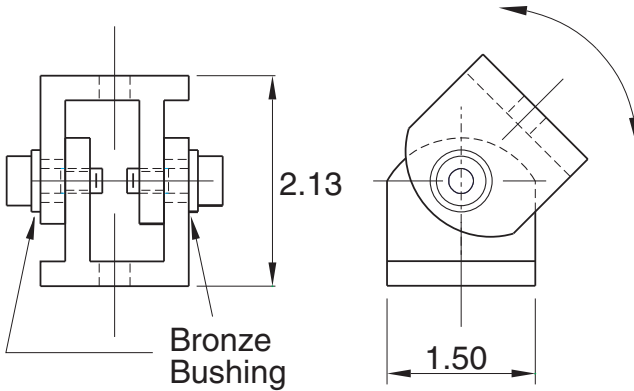
Material - Aluminum
Finish - Grey Powder Coat

Pivoting Hinge

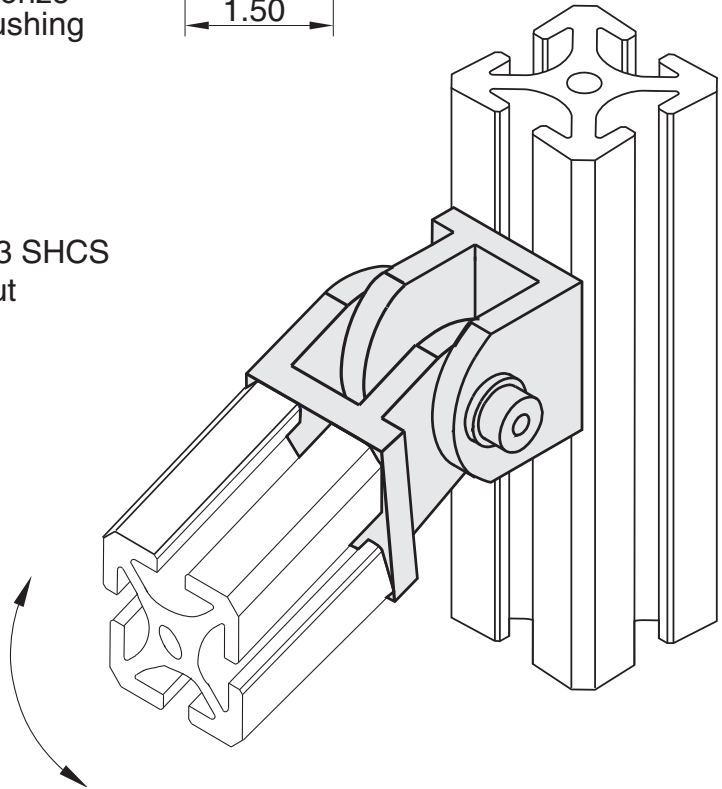


EB-13P

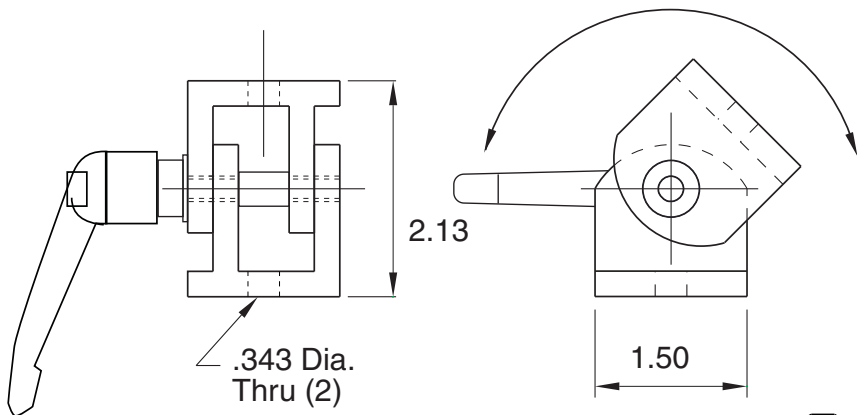
5/16" SLOTS



Requires
(2) EF-11-.63 SHCS
(1) EF-2 T-nut

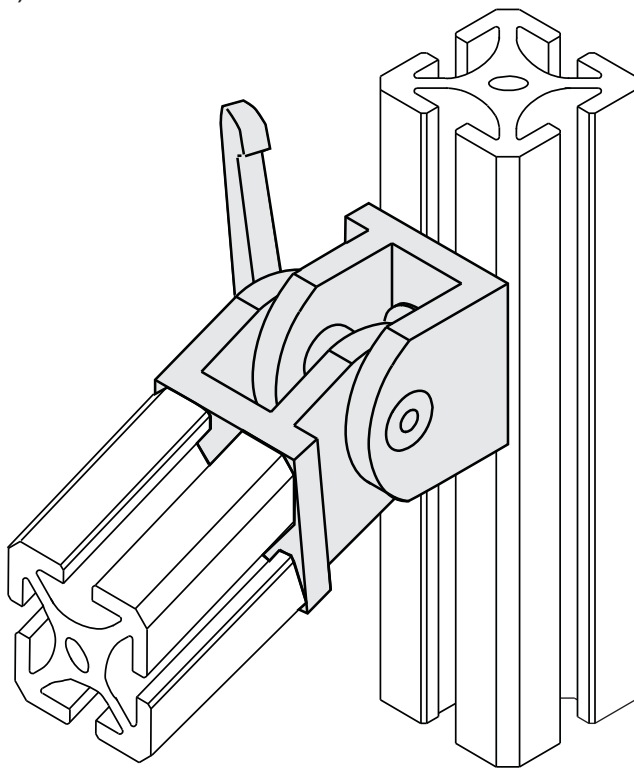


Material - Aluminum
Finish - Grey Powder Coat



5/16" SLOTS

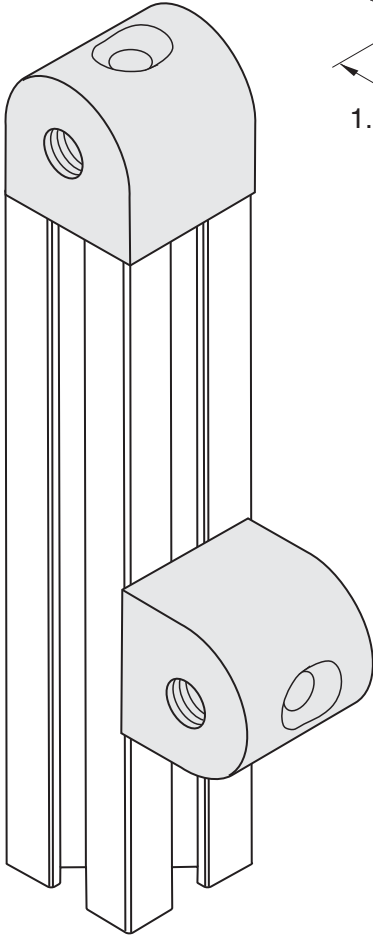
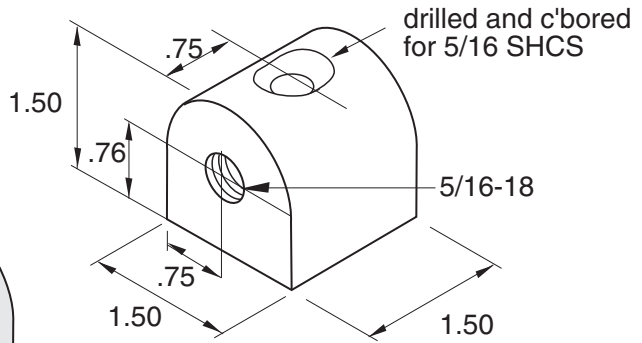
- Requires
 (2) EF-11-.63 SHCS
 (1) EF-2 T-nut



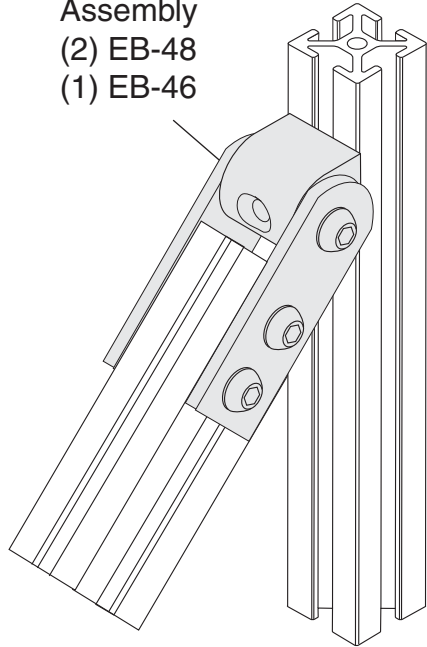
Material - Aluminum
Finish - Grey Powder Coat

EB-46

5/16" SLOTS



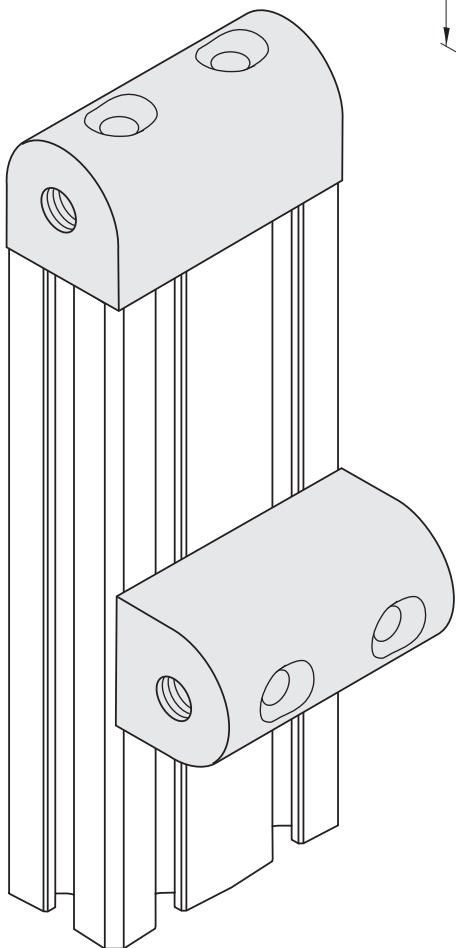
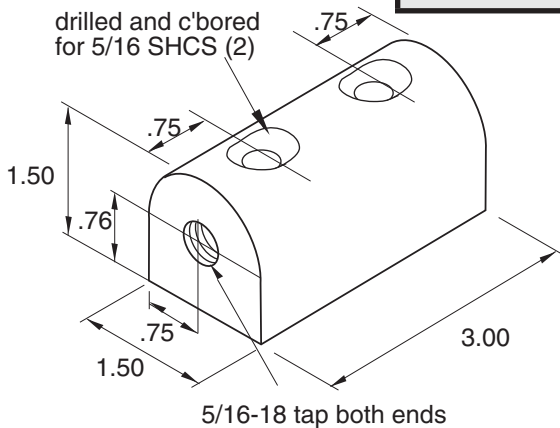
Assembly
(2) EB-48
(1) EB-46



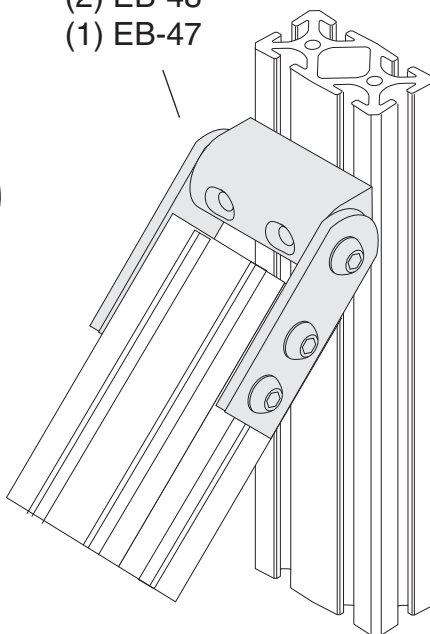
Requires
(1) EF-11-1.25 SHCS
(1) EF-2 T-nut

Material - Aluminum
Finish - Clear Anodize

EB-47



Assembly
(2) EB-48
(1) EB-47



5/16" SLOTS

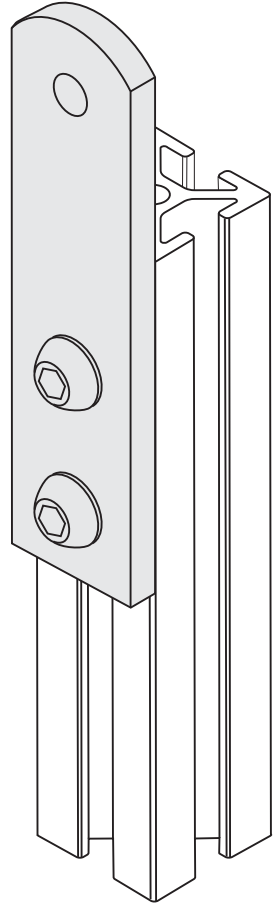
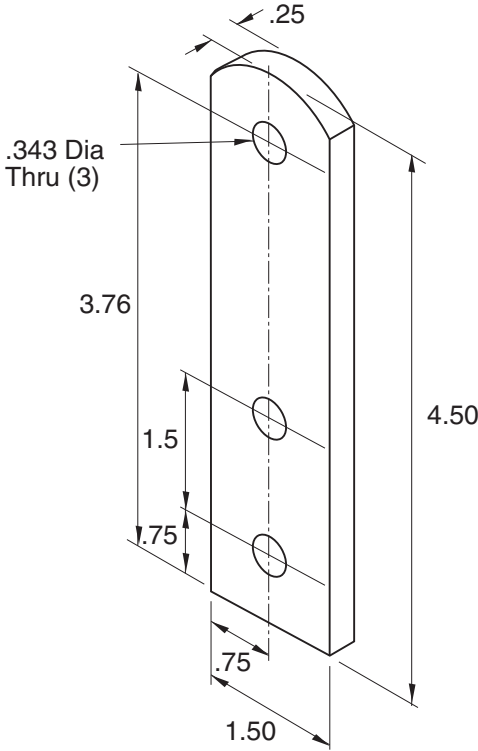
Requires
(2) EF-11-1.25 SHCS
(2) EF-2 T-nut

Material - Aluminum
Finish - Clear Anodize

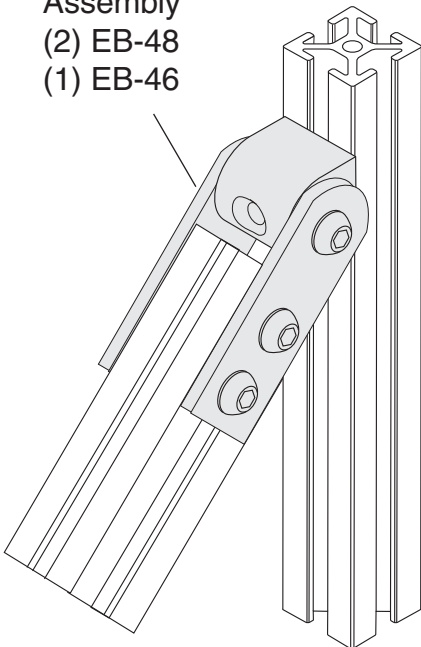
EB-48

use with EB-46 & EB-47

5/16" SLOTS



Assembly
(2) EB-48
(1) EB-46

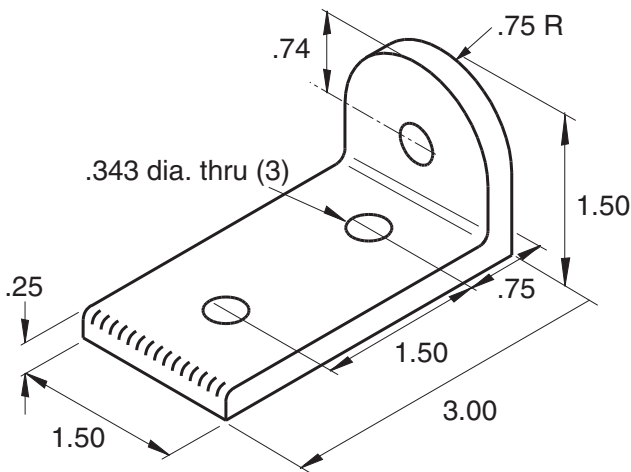


Requires
(3) EF-12-.63 BHCS
(2) EF-2 T-nut

Material - Aluminum
Finish - Clear Anodize

Use with EB-46, EB-47

EB-66

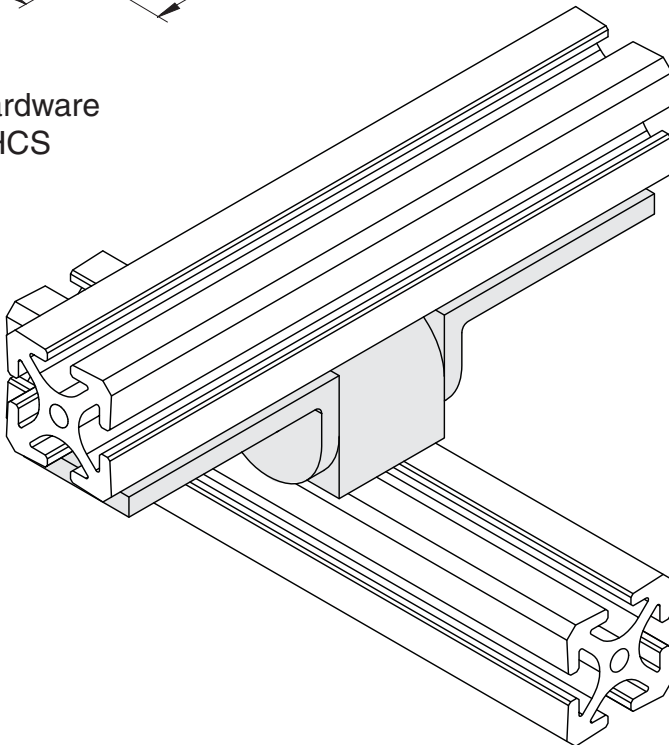


5/16" SLOTS

Recomended Hardware

(3) EF-12-.63 SHCS

(2) EF-2 T-nut



Material - Aluminum
Finish - Clear Anodize

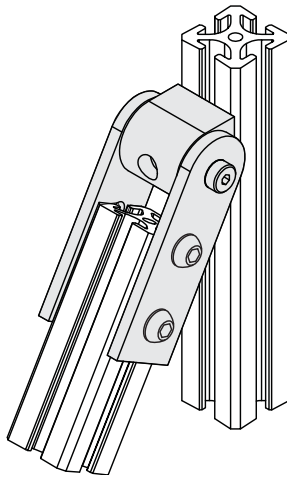
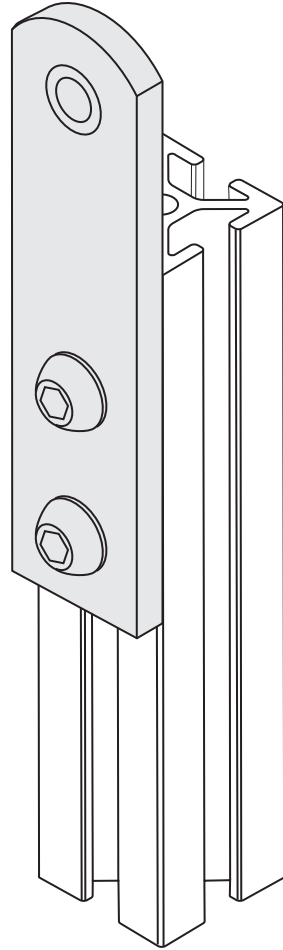
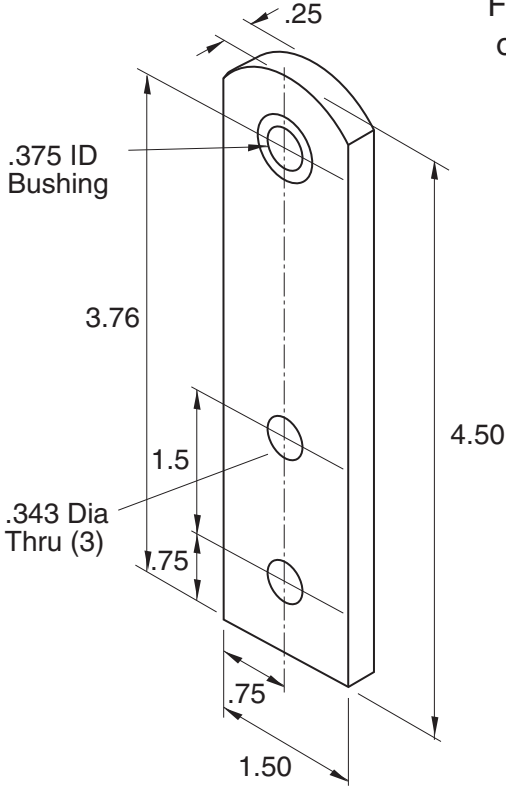
Pivoting Post Arm with Bushing



EB-65

Use with EB-68, EB-69

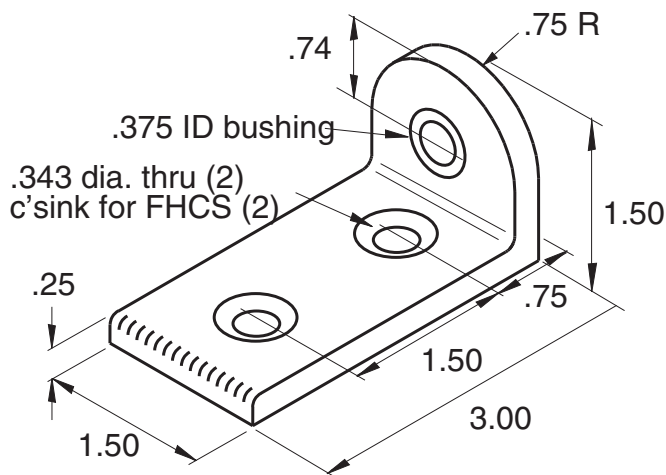
For Shoulder Bolt
order (1) EF-46



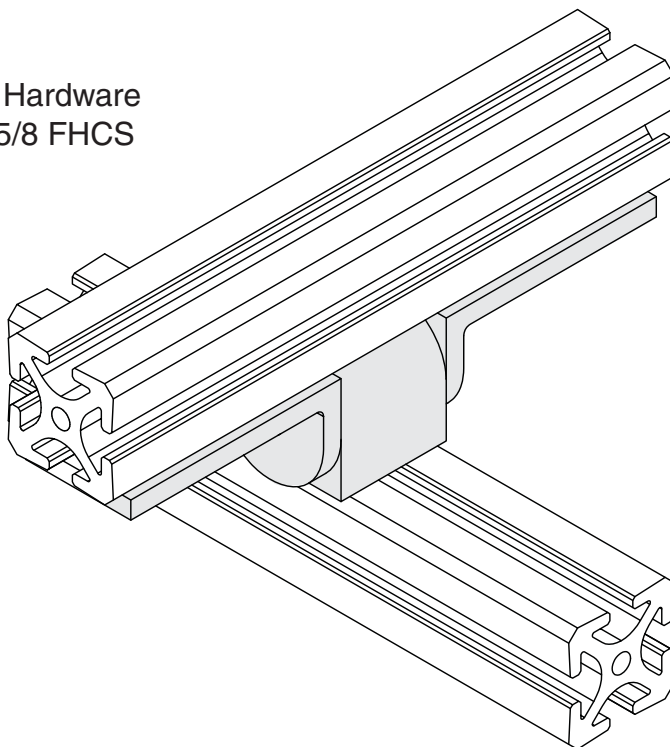
Recommended Hardware
(2) EF-12-.63 BHCS
(2) EF-2 T-nut
(1) EF-46

Material - Aluminum
Finish - Clear Anodize

5/16" SLOTS

Use with EB-68, EB-69**EB-67**For Shoulder
Bolt order (1) EF-46**5/16" SLOTS****Recommended Hardware**

- (2) 5/16-18 x 5/8 FHCS
- (2) EF-2 T-nut
- (1) EF-46

**Material - Aluminum**
Finish - Clear Anodize

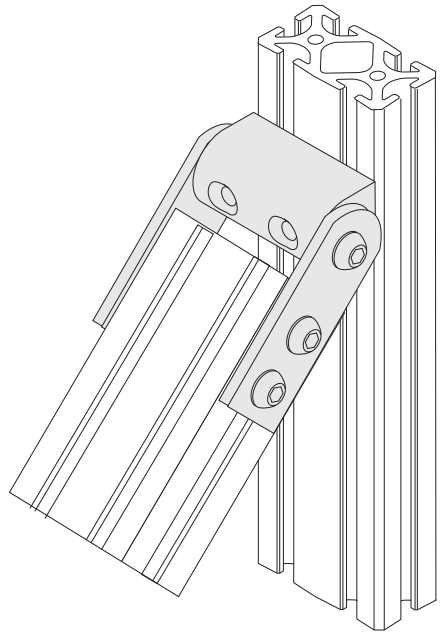
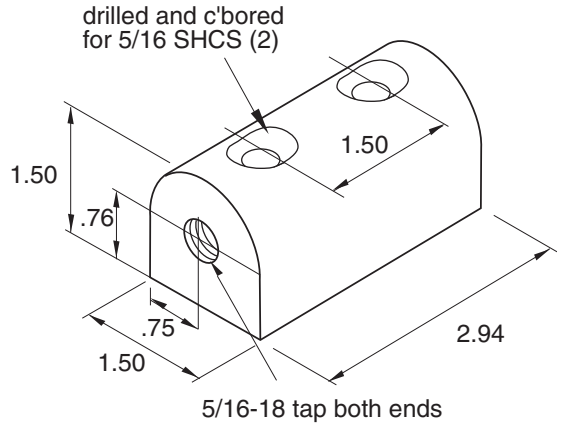
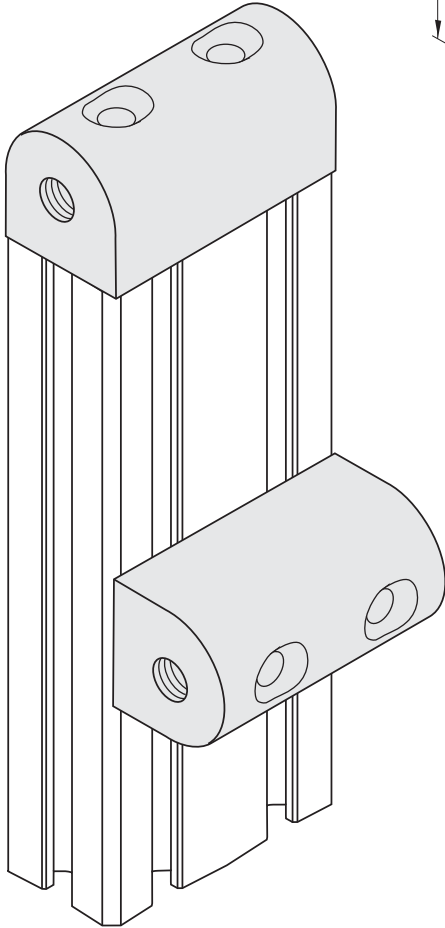
Pivoting Corner Post



EB-68

Use with (2) EB-65 or (2) EB-67

5/16" SLOTS

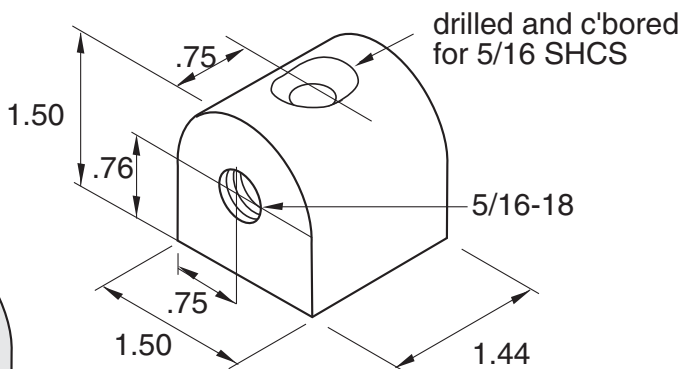


Recomended Hardware
(2) EF-11-1.25 SHCS
(2) EF-2 T-nut

Material - Aluminum
Finish - Clear Anodize

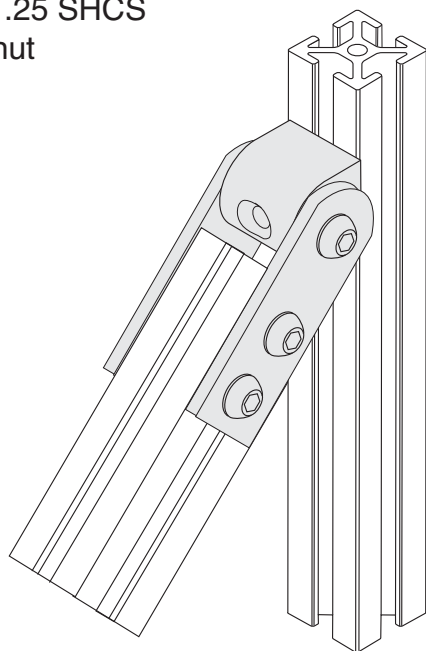
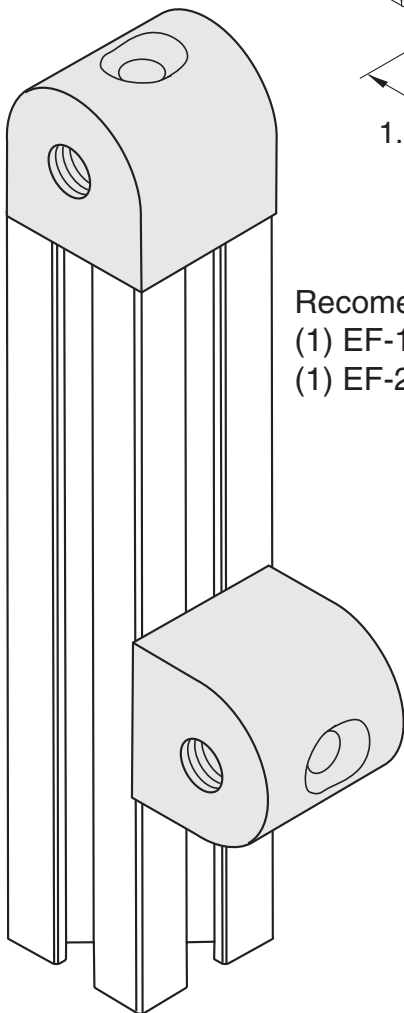
Use with (2) EB-65 or (2) EB-67

EB-69



5/16" SLOTS

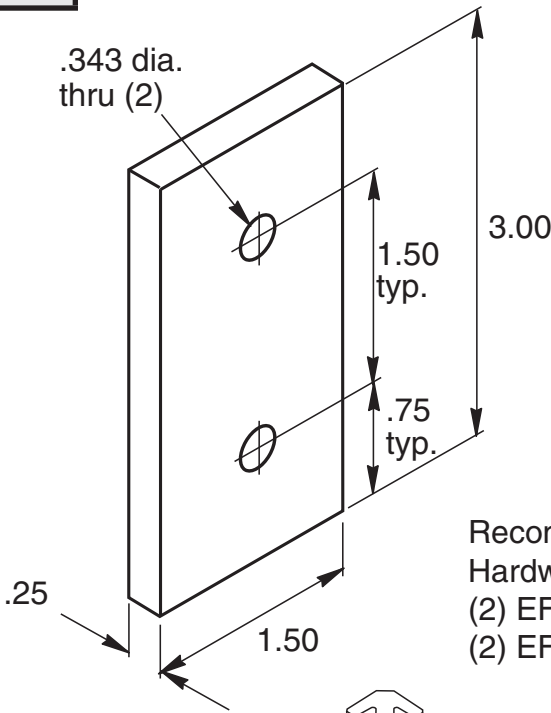
Recomended Hardware
 (1) EF-11-1.25 SHCS
 (1) EF-2 T-nut



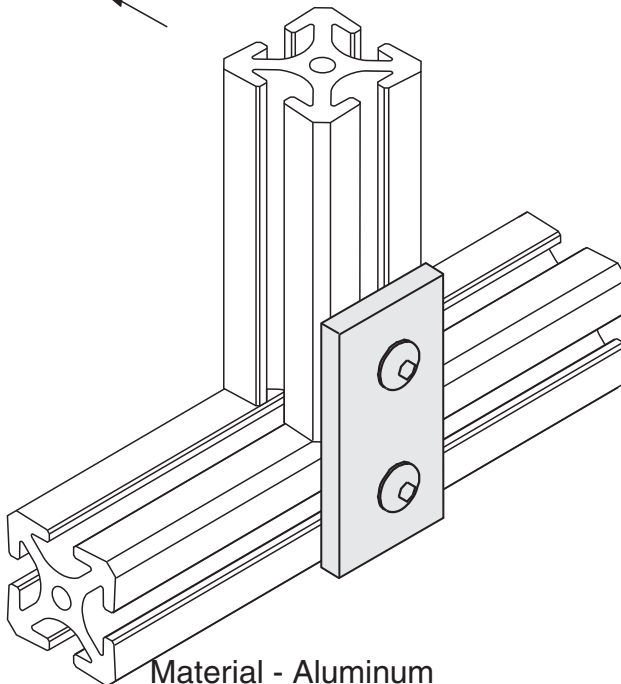
Material - Aluminum
Finish - Clear Anodize

EB-33
EB-33-S

1 hole is slotted

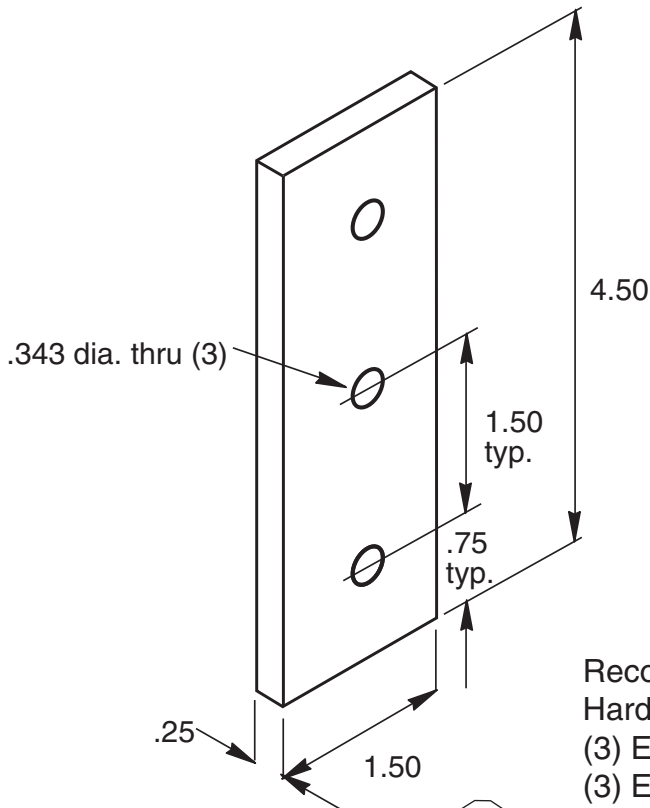


Recommended
Hardware
(2) EF-12-.63 BHCS
(2) EF-2 T-nut

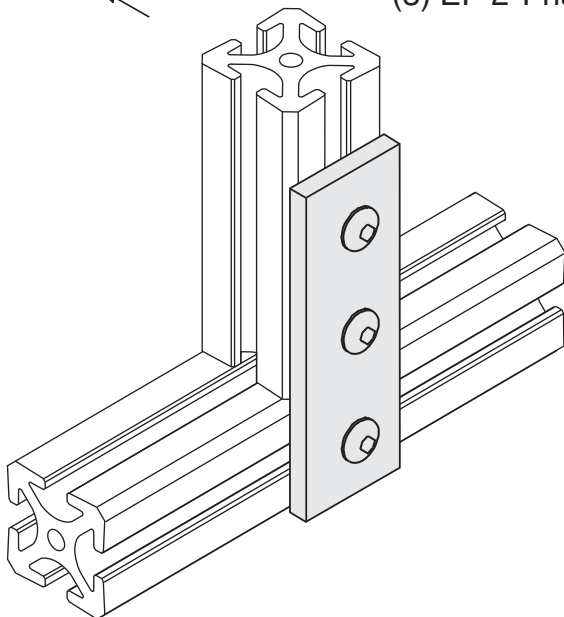


Material - Aluminum
Finish - Clear Anodize

5/16" SLOTS



Recommended
Hardware
(3) EF-12-.63 BHCS
(3) EF-2 T-nut

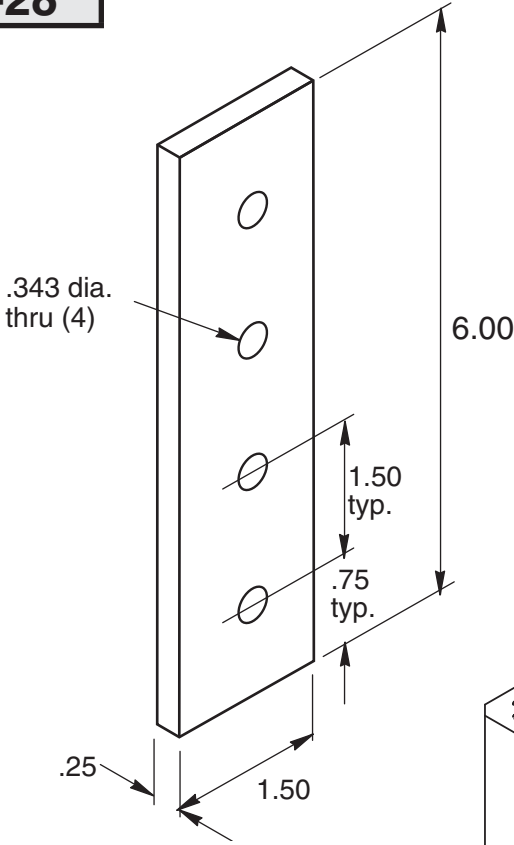


Material - Aluminum
Finish - Clear Anodize

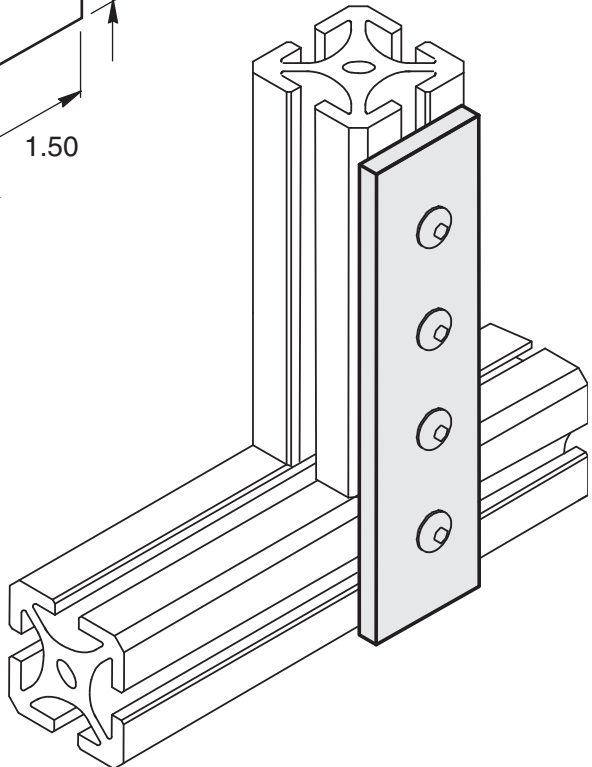
5/16" SLOTS

EB-28

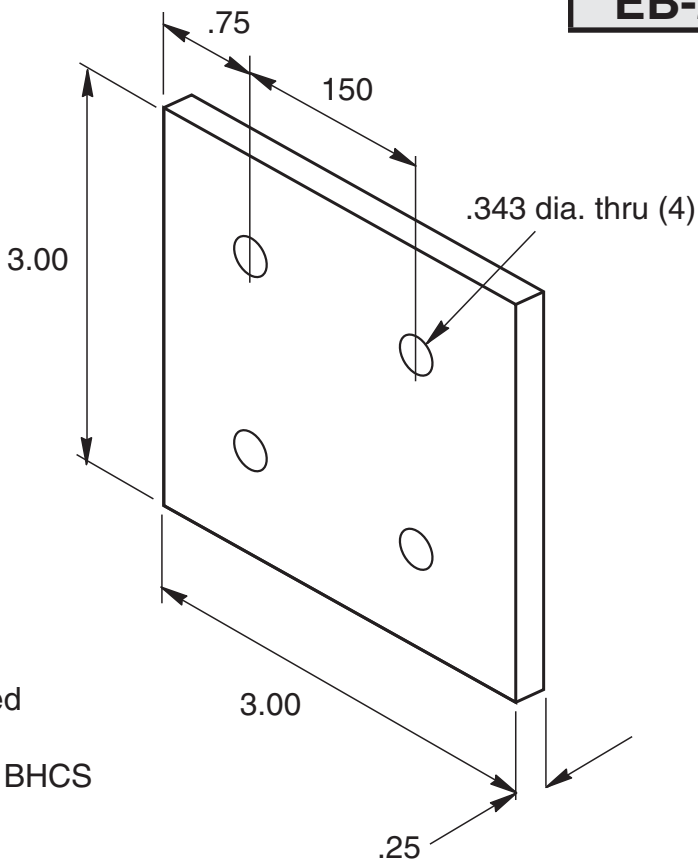
5/16" SLOTS



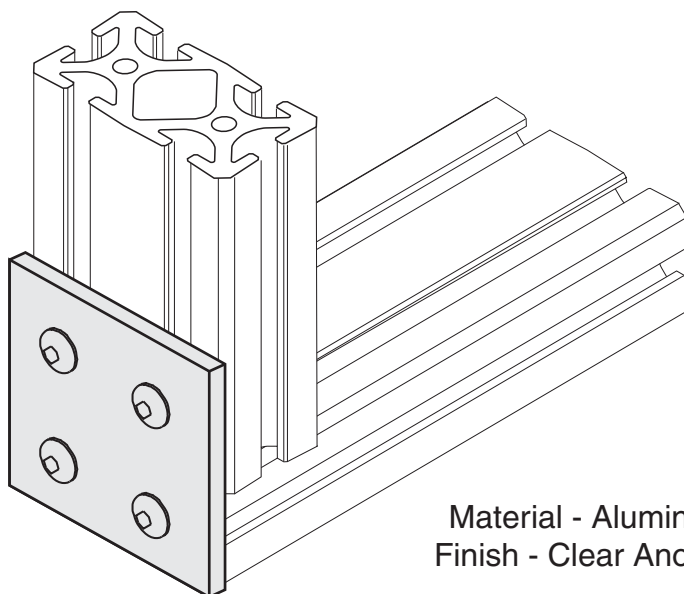
Recommended Hardware
(4) EF-12-.63 BHCS
(4) EF-2 T-nut



Material - Aluminum
Finish - Clear Anodize



Recommended
Hardware
(4) EF-12-.63 BHCS
(4) EF-2 T-nut

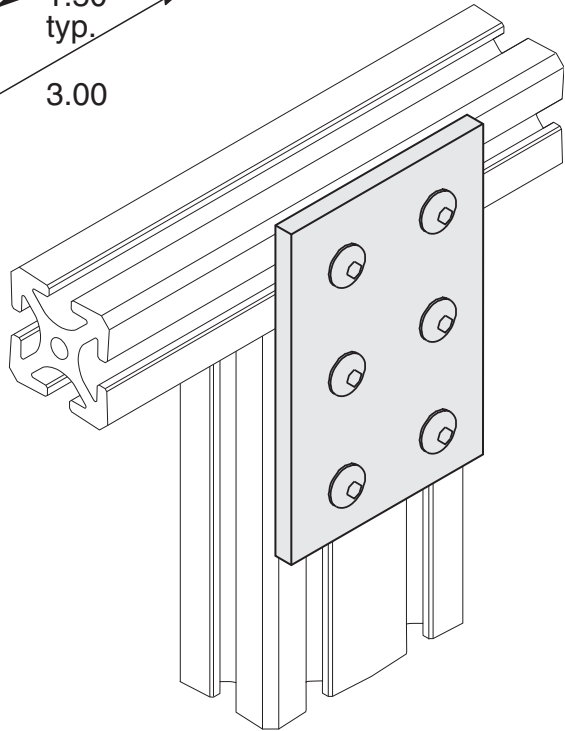
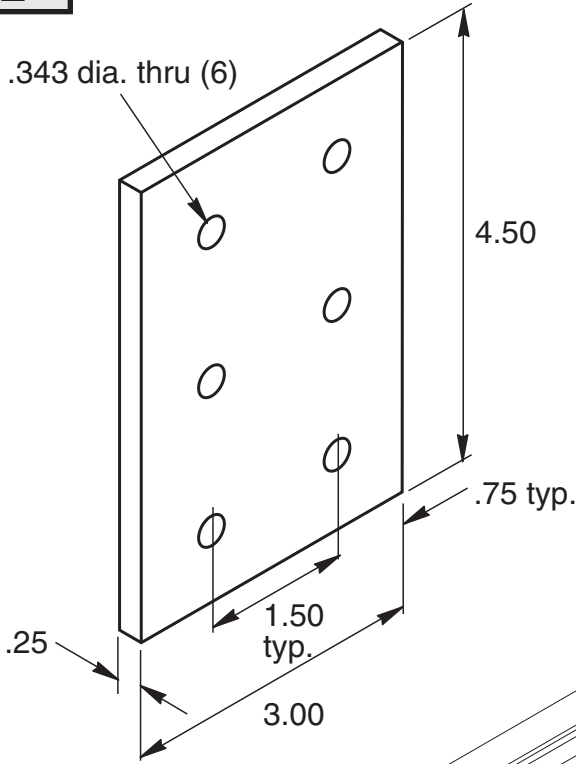


Material - Aluminum
Finish - Clear Anodize

5/16" SLOTS

EB-32

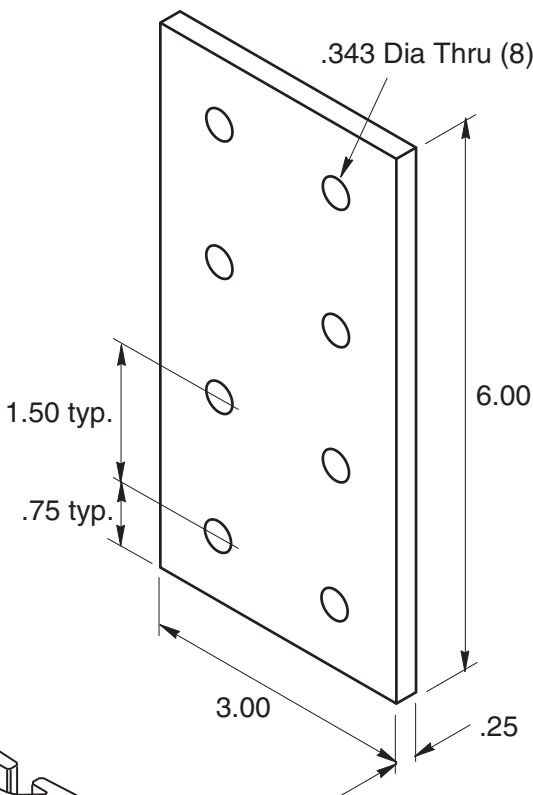
5/16" SLOTS



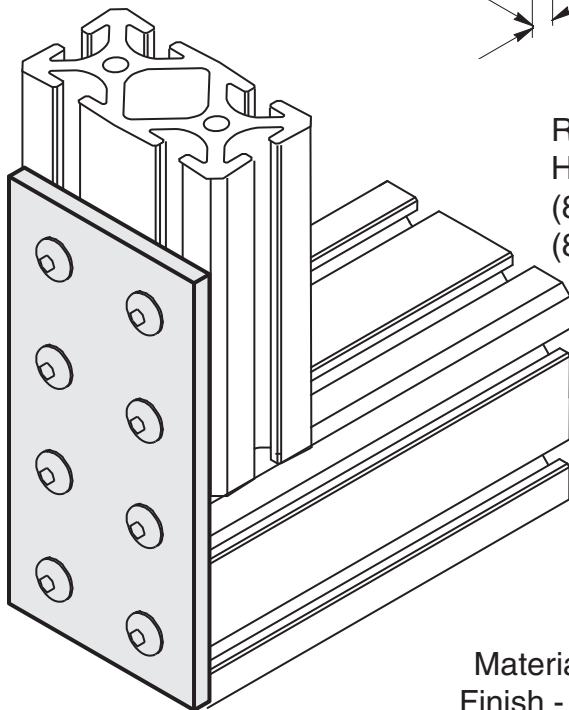
Recommended Hardware
(6) EF-12-.63 BHCS
(6) EF-2 T-nut

Material - Aluminum
Finish - Clear Anodize

EB-26



5/16" SLOTS



Recommended
Hardware
(8) EF-12- .63 BHCS
(8) EF-2 T-nut

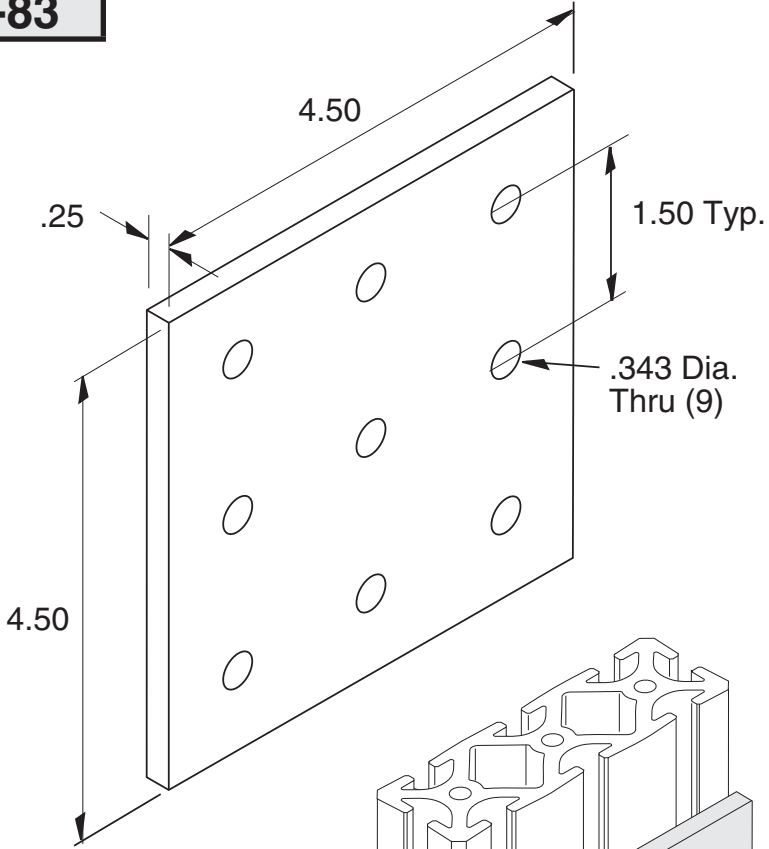
Material - Aluminum
Finish - Clear Anodize

Joining Plate

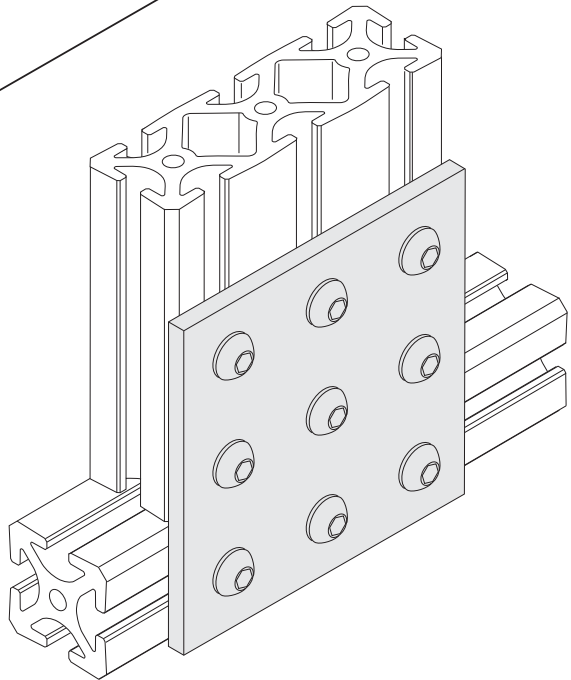


EB-83

5/16" SLOTS

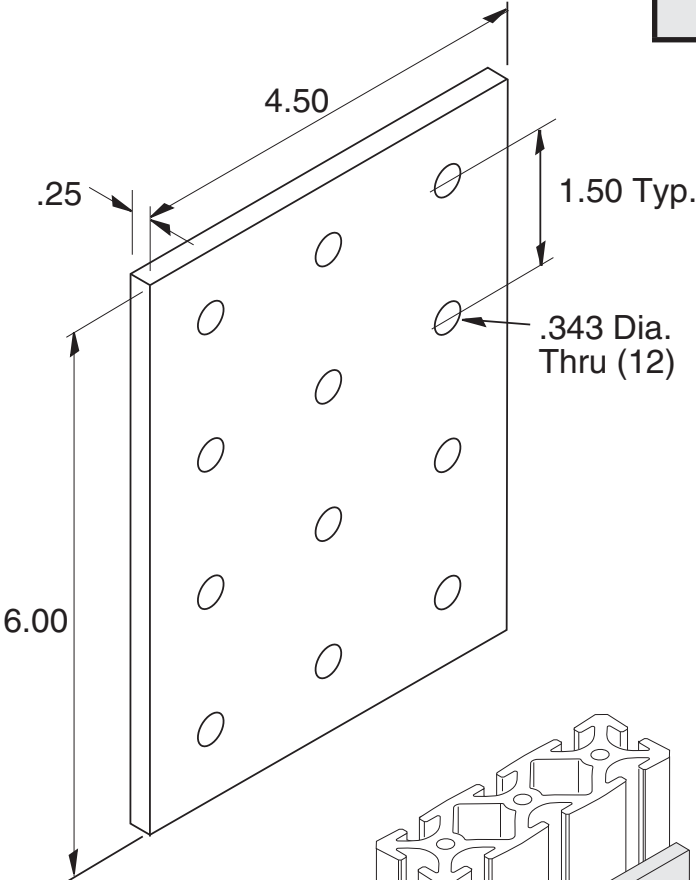


Recommended Hardware
(9) EF-12-.63 BHCS
(9) EF-2 T-nut



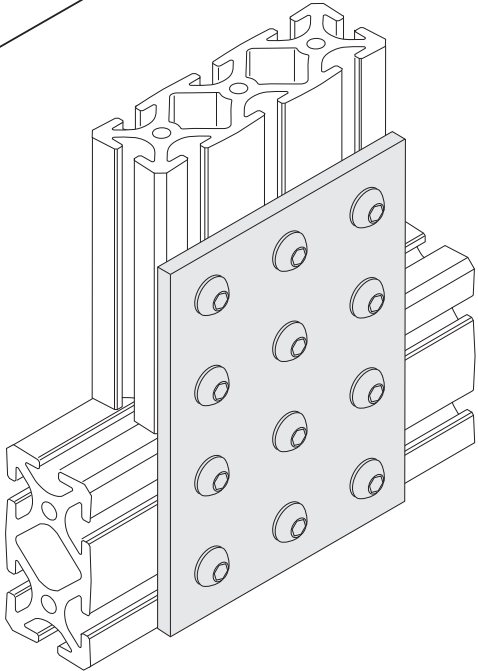
Material - Aluminum
Finish - Clear Anodize

EB-84



5/16" SLOTS

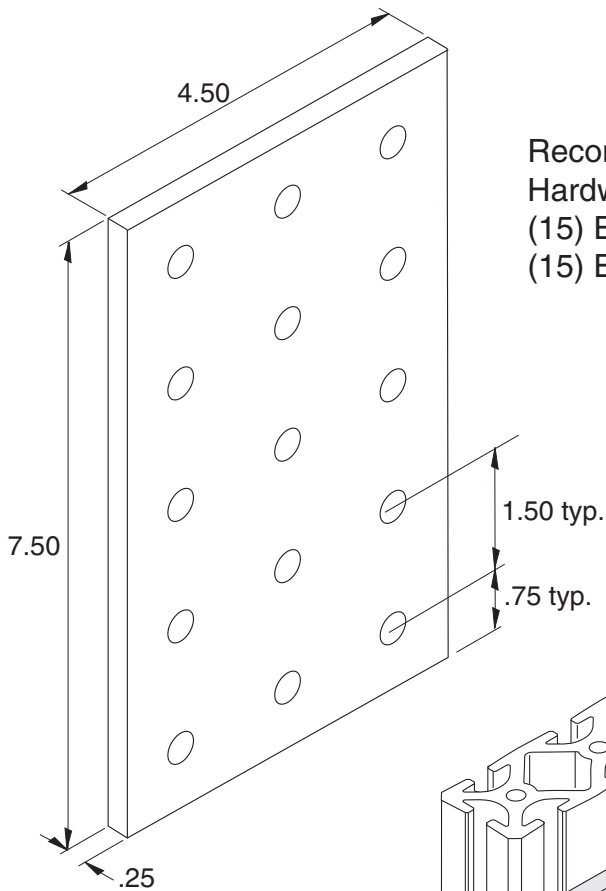
Recommended
Hardware
(12) EF-12- .63 BHCS
(12) EF-2 T-nut



**Material - Aluminum
Finish - Clear Anodize**

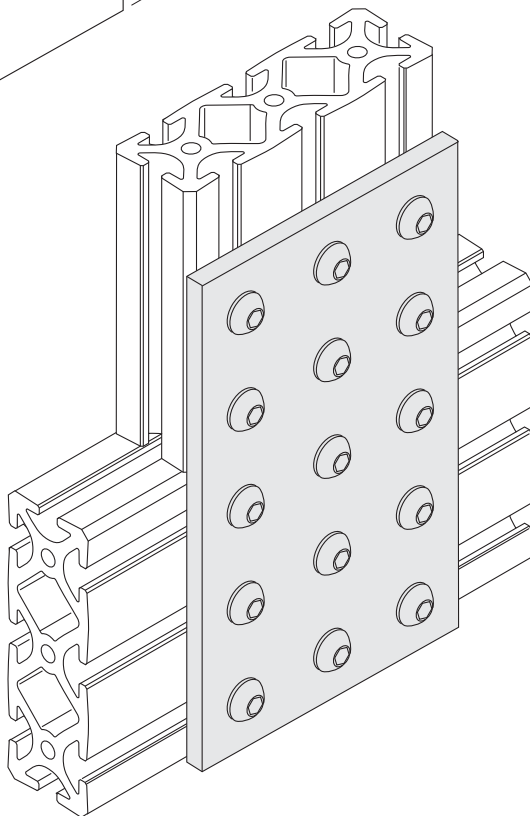
EB-85

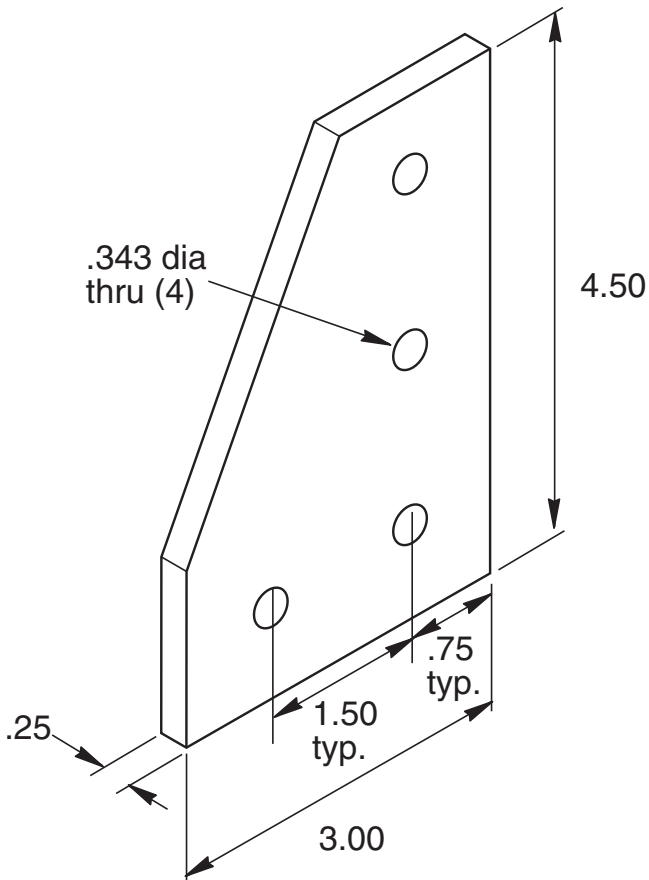
5/16" SLOTS



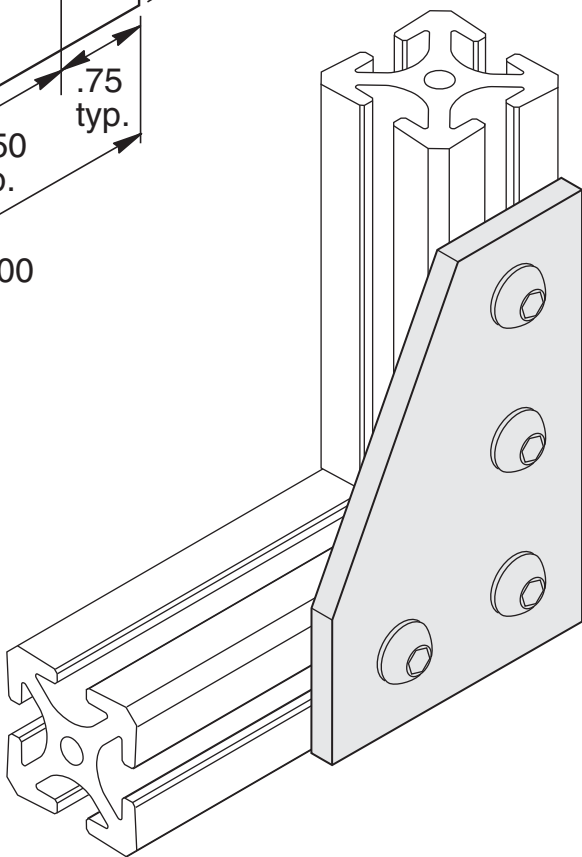
Recommended Hardware
(15) EF-12-.63 BHCS
(15) EF-2 T-nut

Material - Aluminum
Finish - Clear Anodize





Recommended
Hardware
(4) EF-12-.63 BHCS
(4) EF-2 T-nut

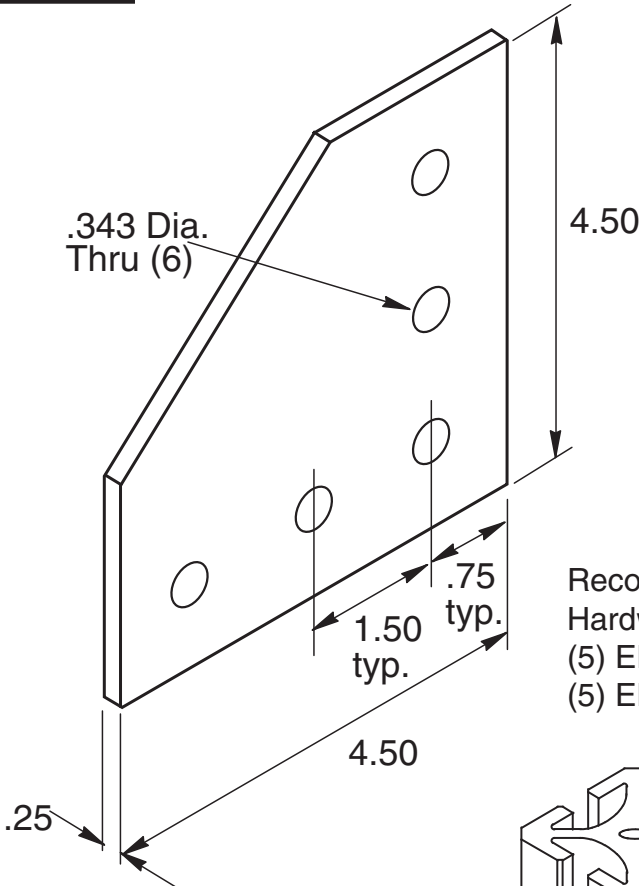


5/16" SLOTS

**Material - Aluminum
Finish - Clear Anodize**

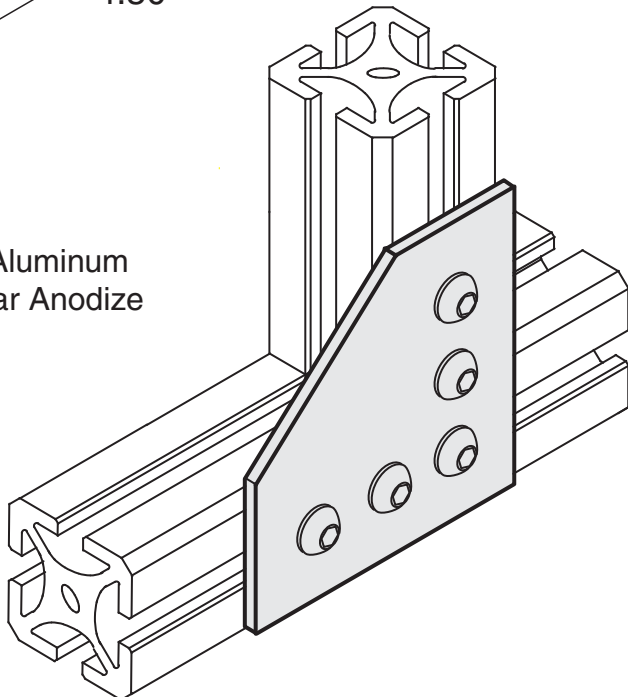
EB-22

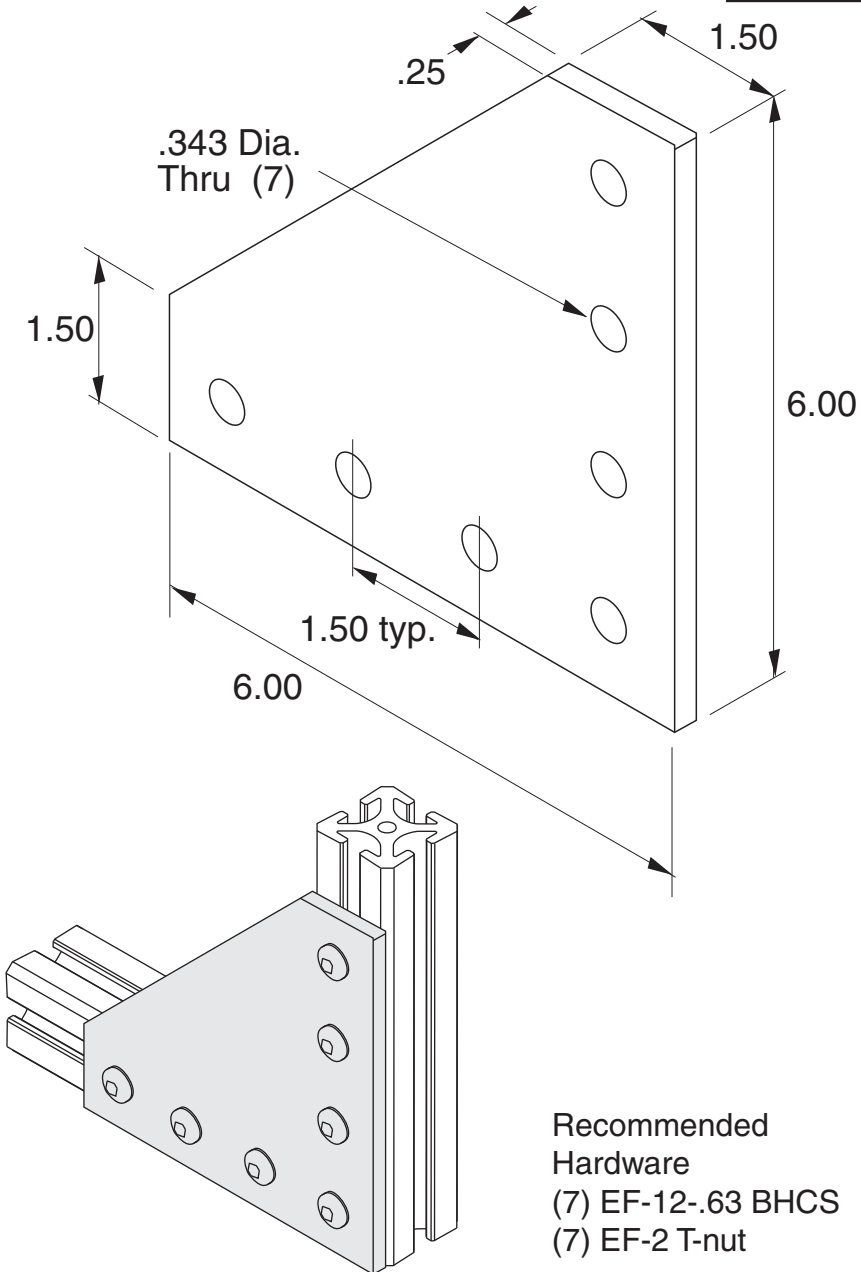
5/16" SLOTS



Recommended Hardware
(5) EF-12-.63 BHCS
(5) EF-2 T-nut

Material - Aluminum
Finish - Clear Anodize

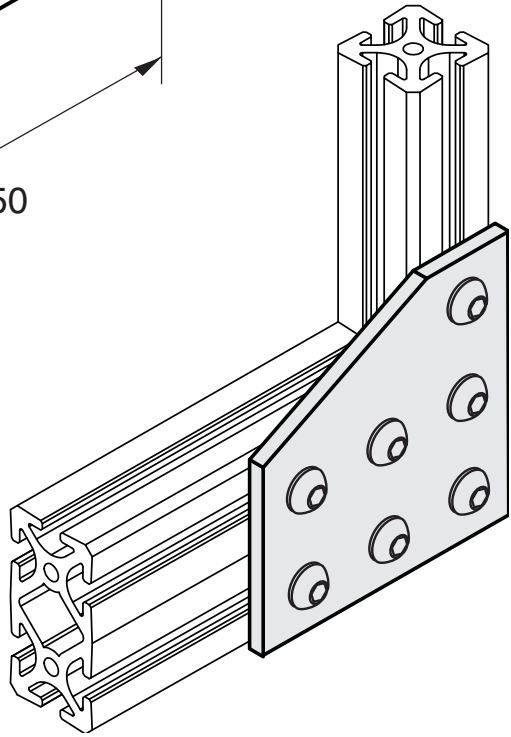
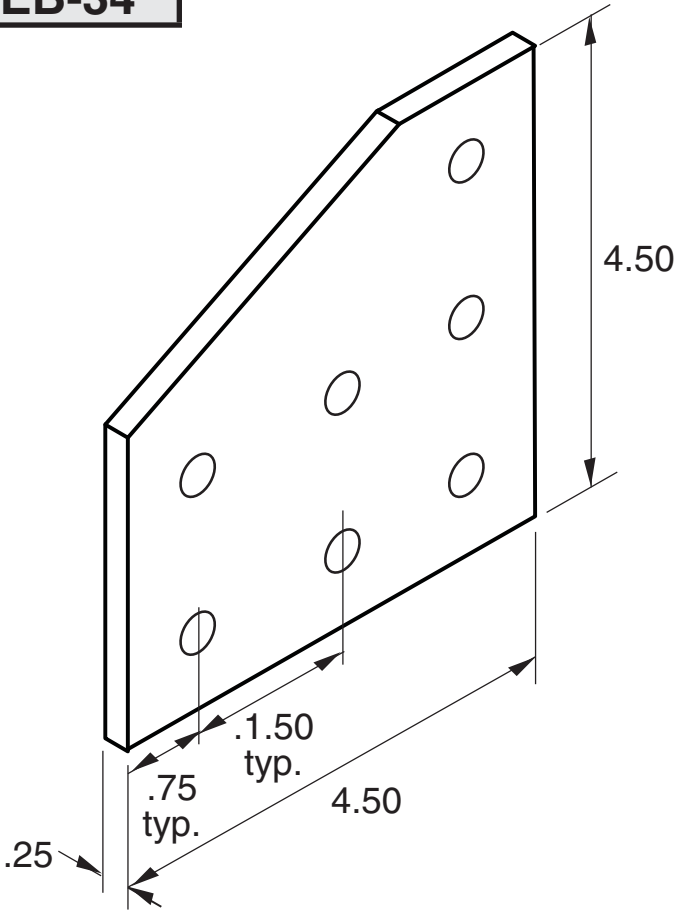




Material - Aluminum
Finish - Clear Anodize

EB-34

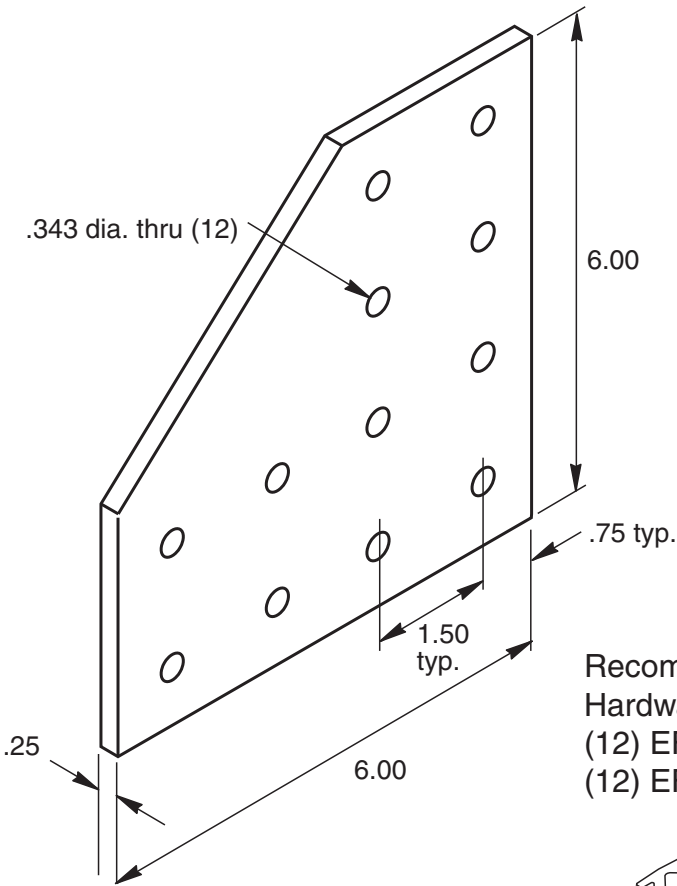
5/16" SLOTS



- Recommended Hardware
(7) EF-12-.63 BHCS
(7) EF-2 T-nut

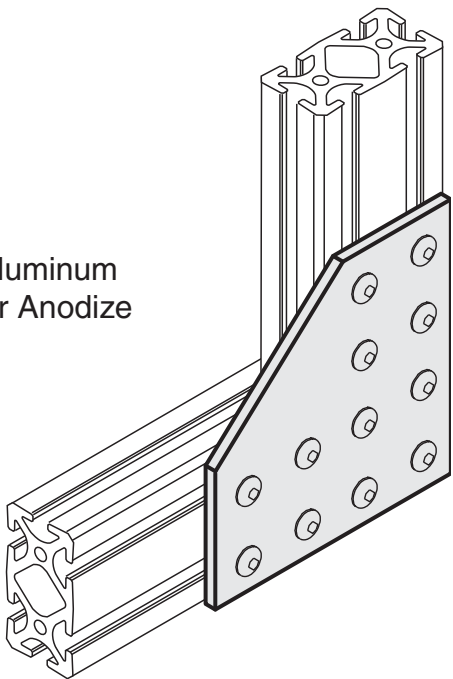
Material - Aluminum
Finish - Clear Anodize

5/16" SLOTS



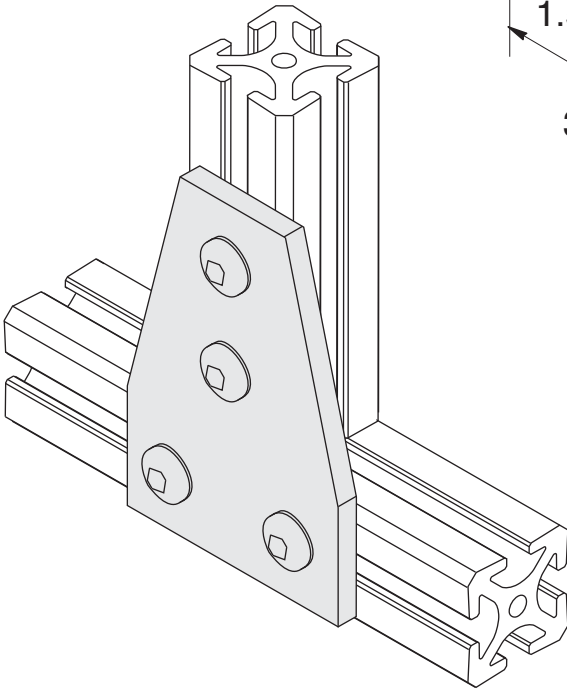
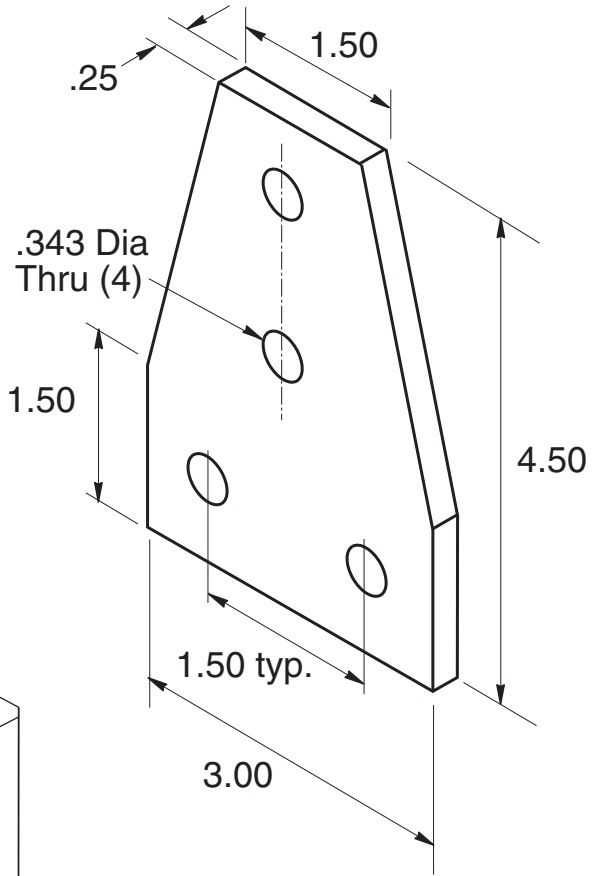
**Recommended
Hardware**
(12) EF-12-.63 BHCS
(12) EF-2 T-nut

Material - Aluminum
Finish - Clear Anodize



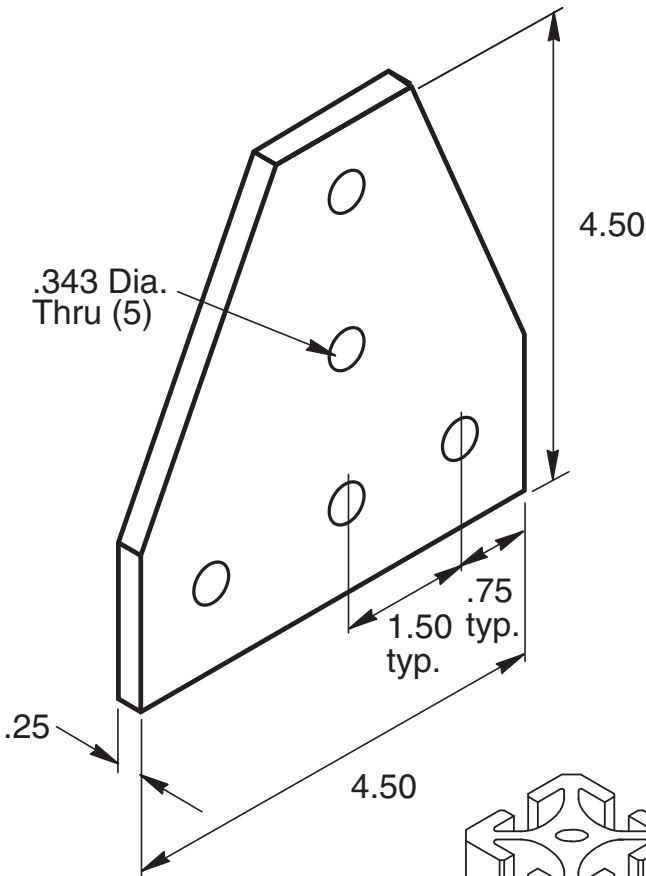
EB-73

5/16" SLOTS



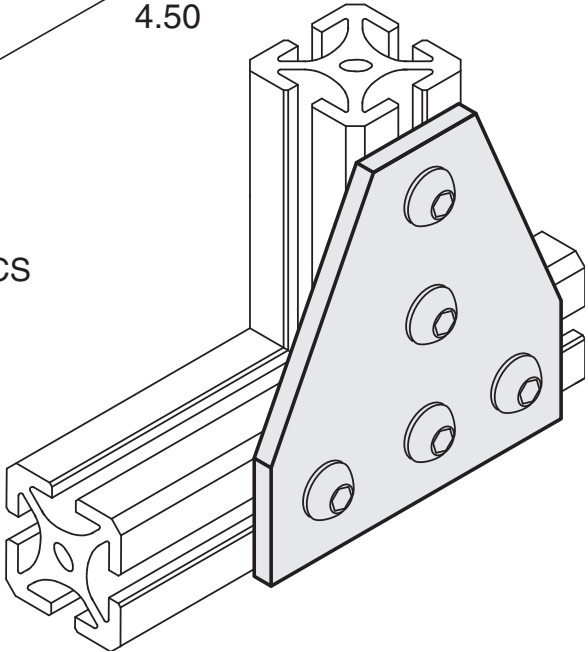
Recommended
Hardware
(4) EF-12-.63 BHCS
(4) EF-2 T-nut

Material - Aluminum
Finish - Clear Anodize



5/16" SLOTS

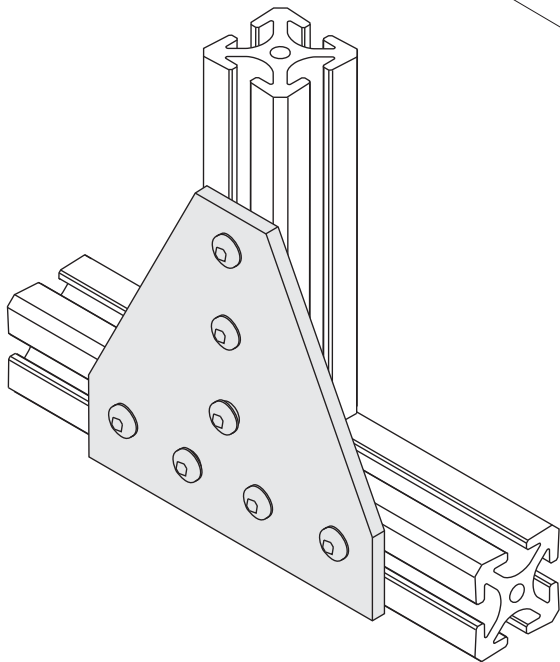
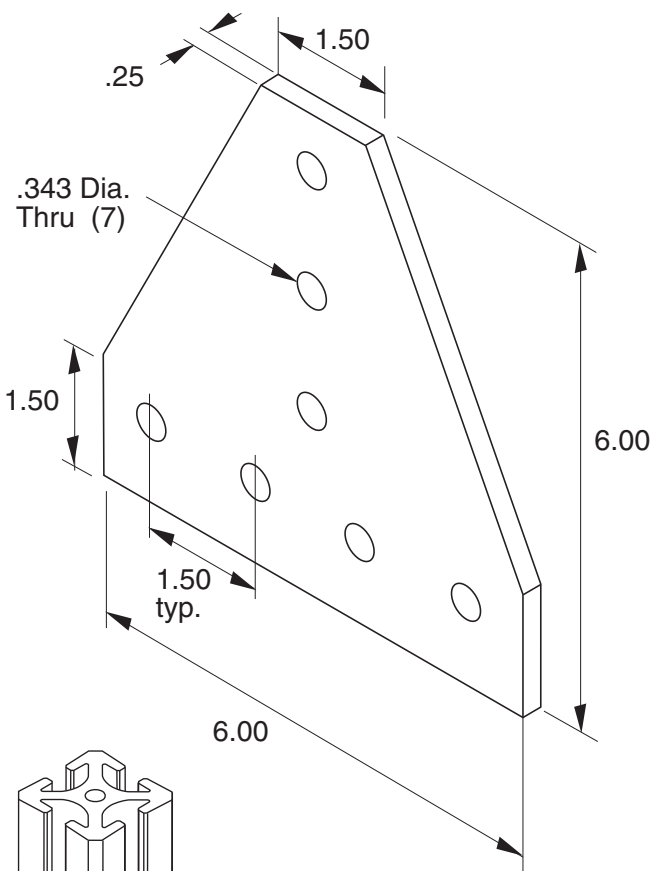
Recommended
Hardware
(5) EF-12-.63 BHCS
(5) EF-2 T-nut



Material - Aluminum
Finish - Clear Anodize

EB-74

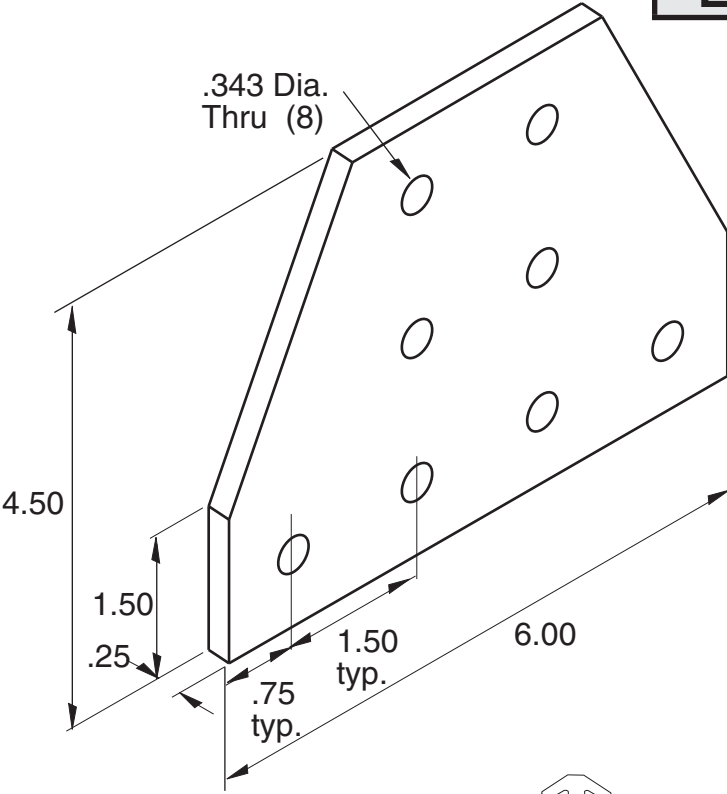
5/16" SLOTS



Recommended Hardware
(7) EF-12-.63 BHCS
(7) EF-2 T-nut

Material - Aluminum
Finish - Clear Anodize

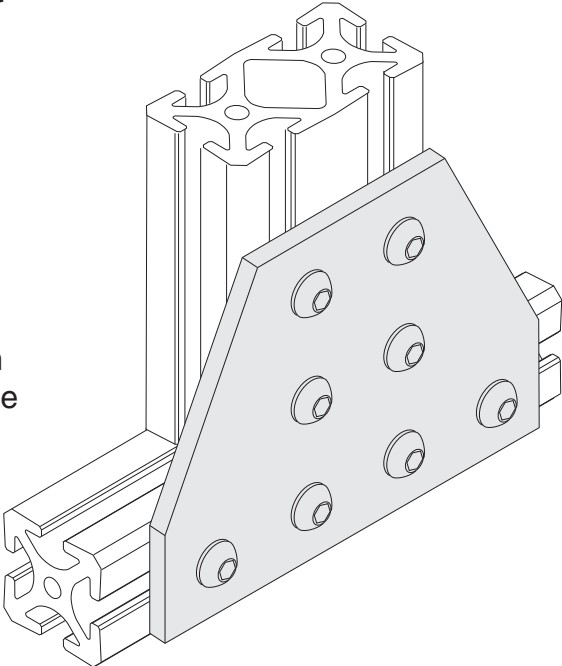
EB-87



5/16" SLOTS

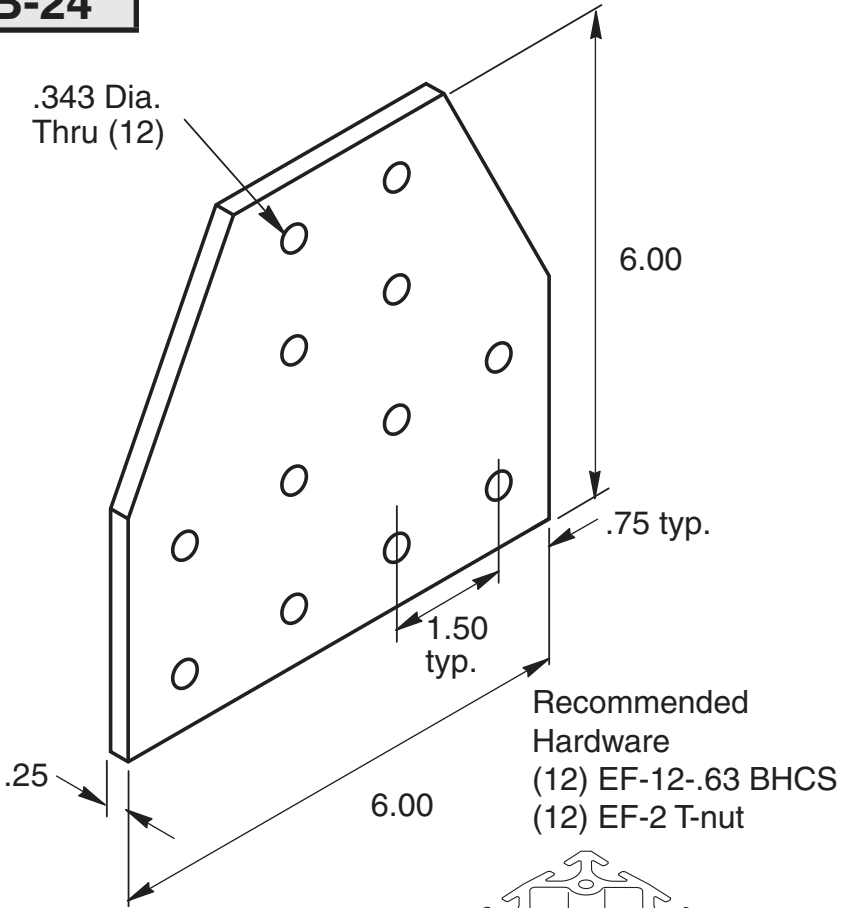
Recommended
Hardware
(8) EF-12-.63 BHCS
(8) EF-2 T-nut

Material - Aluminum
Finish - Clear Anodize

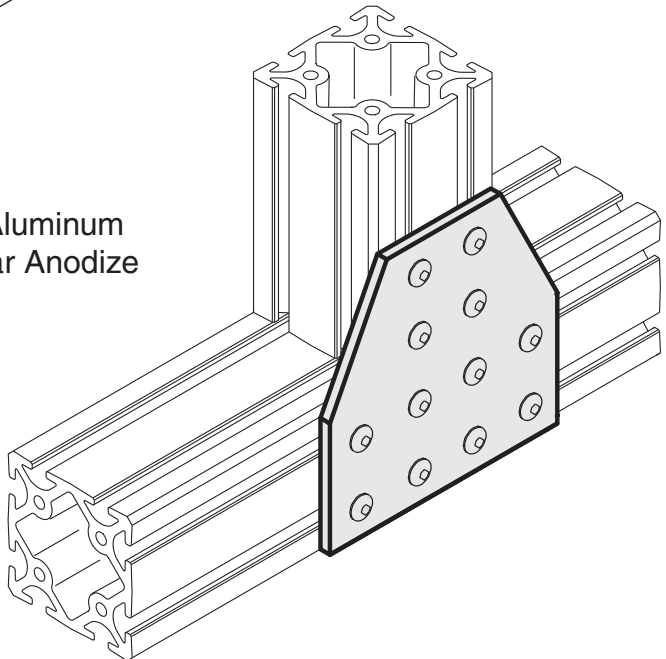


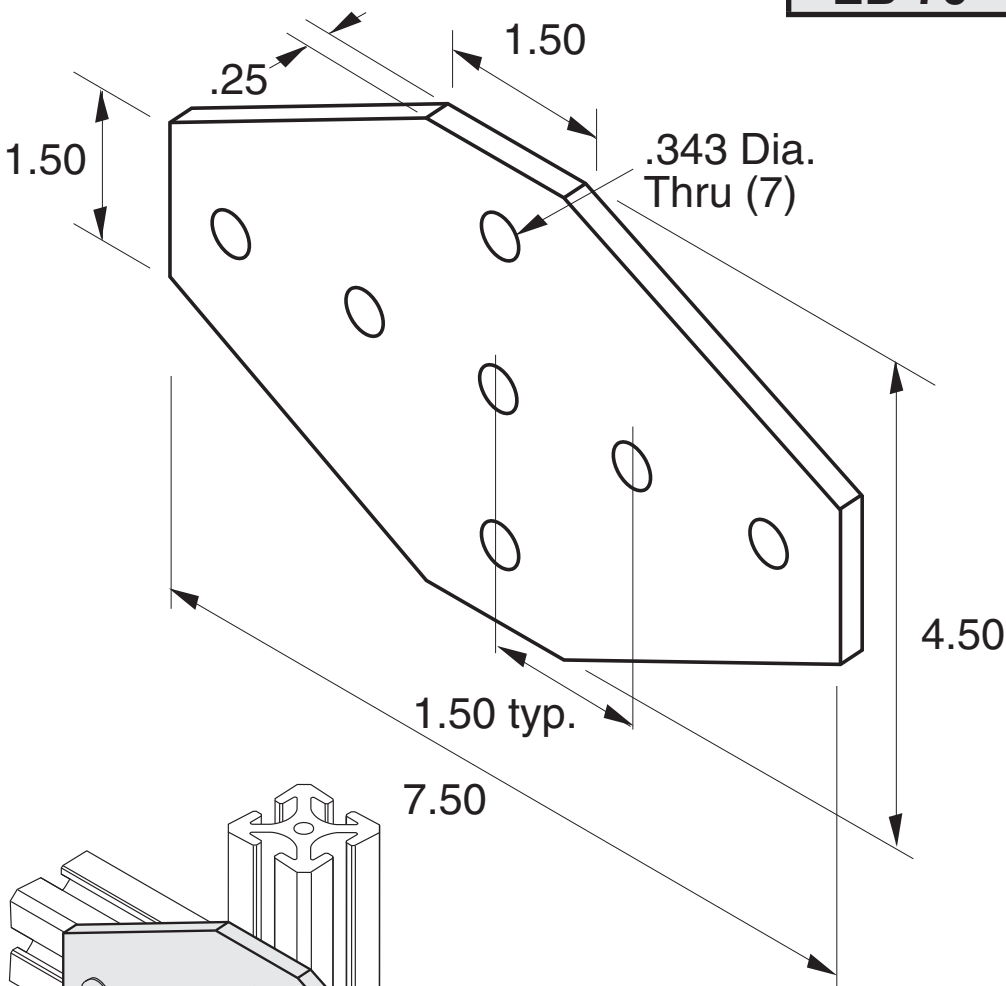
EB-24

5/16" SLOTS



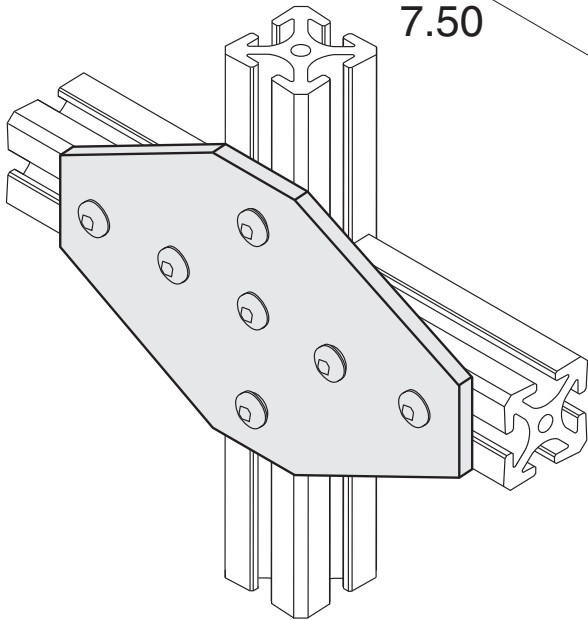
Material - Aluminum
Finish - Clear Anodize





5/16" SLOTS

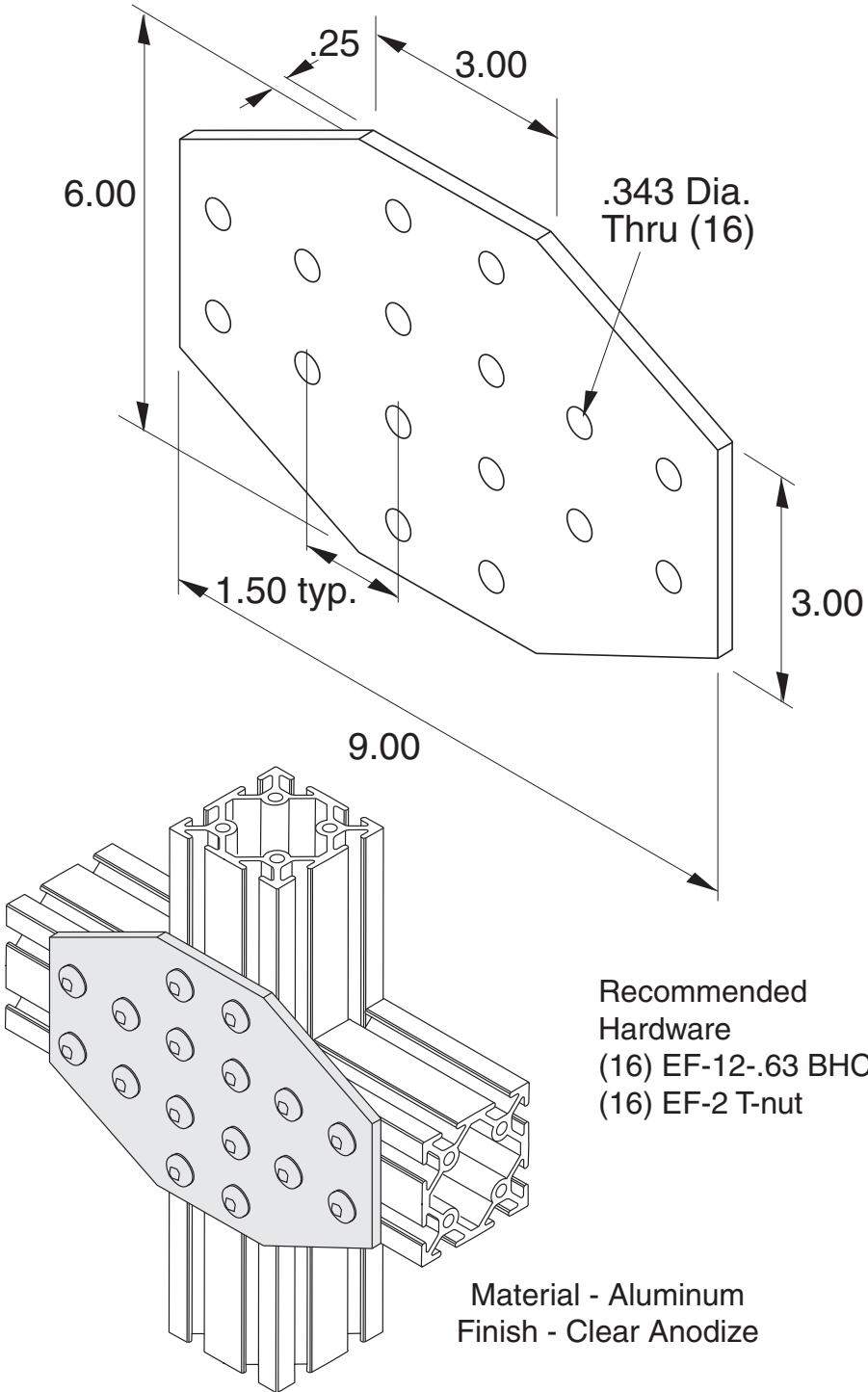
Recommended Hardware
 (7) EF-12-.63 BHCS
 (7) EF-2 T-nut



Material - Aluminum
 Finish - Clear Anodize

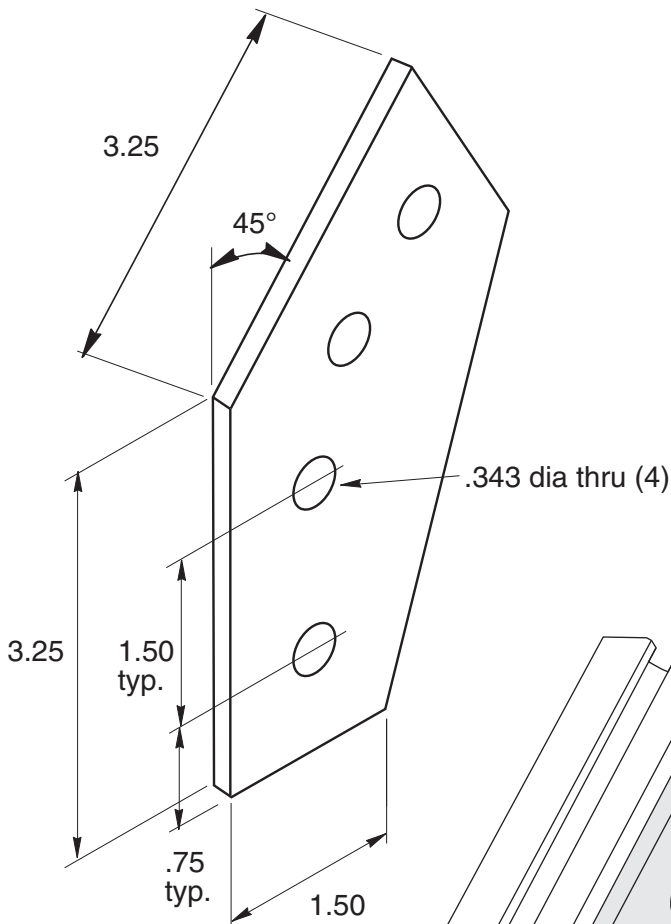
EB-78

5/16" SLOTS



Recommended
Hardware
(16) EF-12-.63 BHCS
(16) EF-2 T-nut

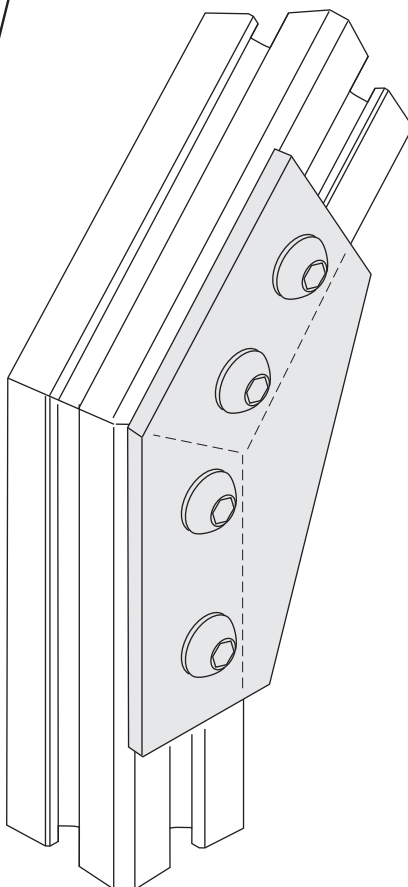
Material - Aluminum
Finish - Clear Anodize



5/16" SLOTS

Recommended
Hardware
(4) EF-12-.63 BHCS
(4) EF-2 T-nut

Material - Aluminum
Finish - Clear Anodize

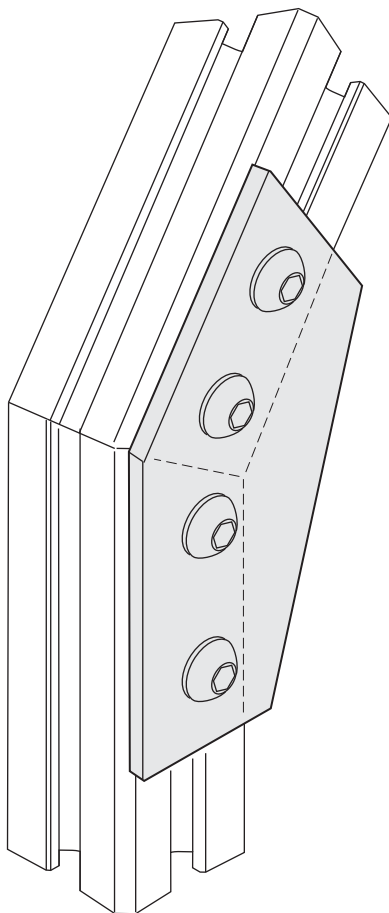
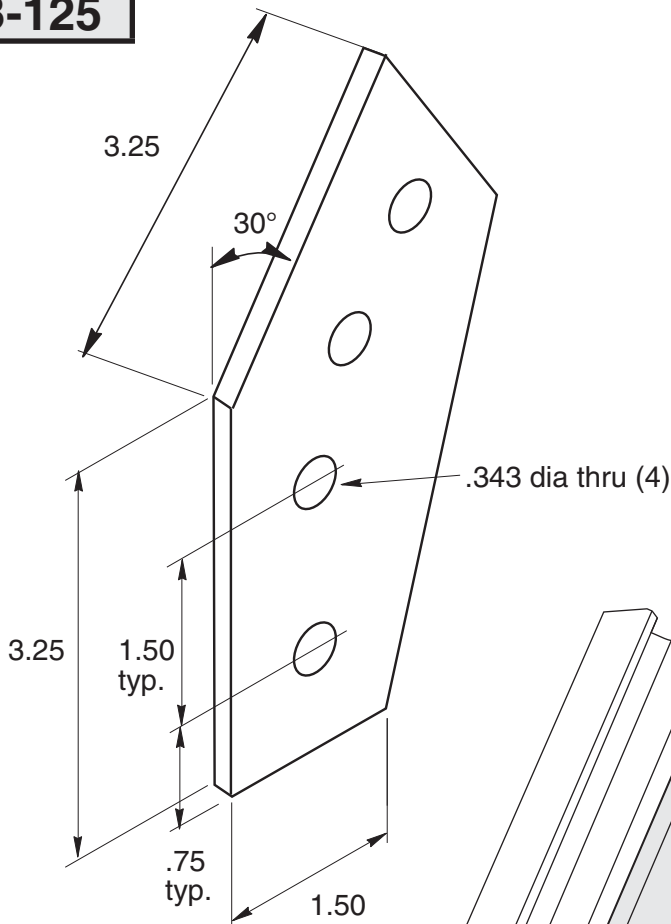


30° Joining Plate



EB-125

5/16" SLOTS

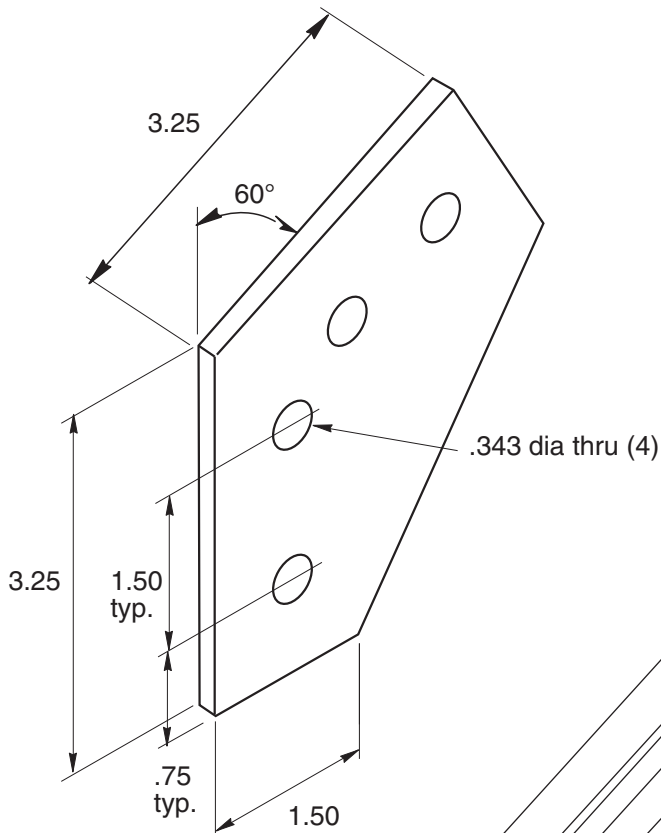


Recommended Hardware

(4) EF-12-.63 BHCS

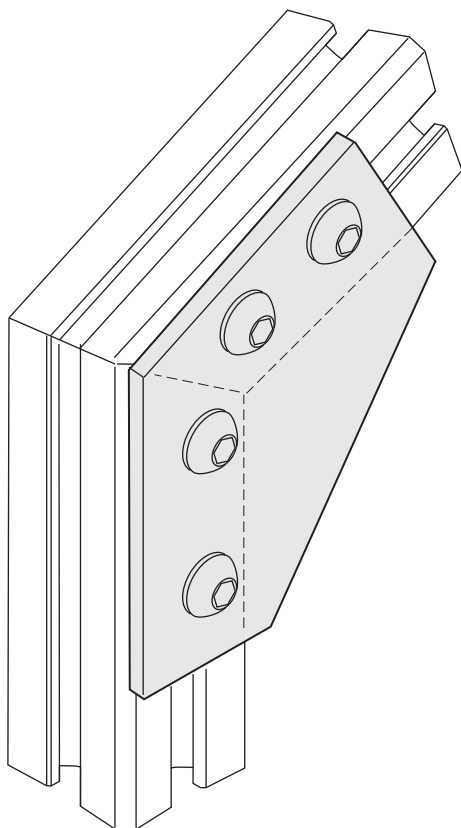
(4) EF-2 T-nut

Material - Aluminum
Finish - Clear Anodize



Recommended
Hardware
(4) EF-12-.63 BHCS
(4) EF-2 T-nut

Material - Aluminum
Finish - Clear Anodize



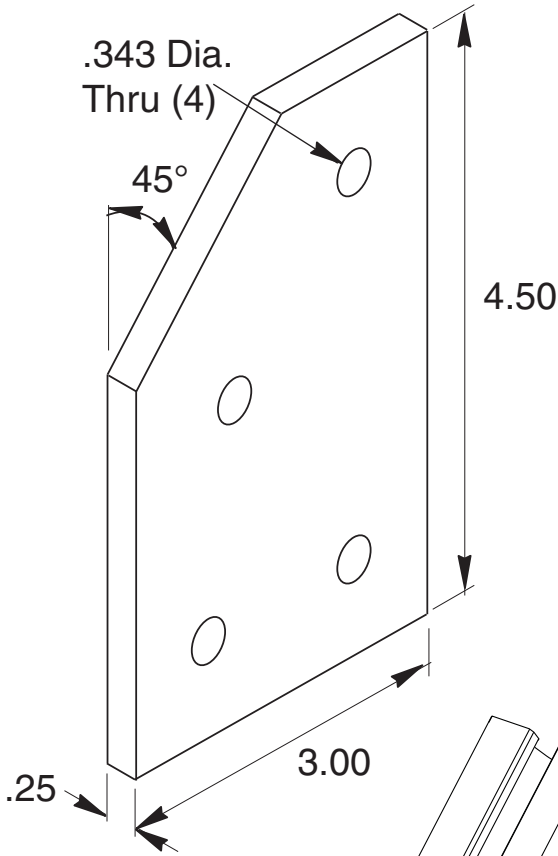
5/16" SLOTS

45° Joining Plate



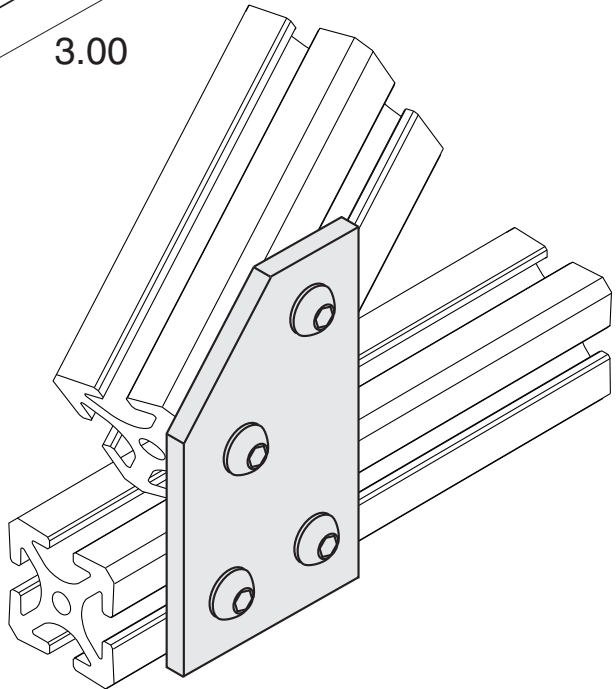
EB-127

5/16" SLOTS



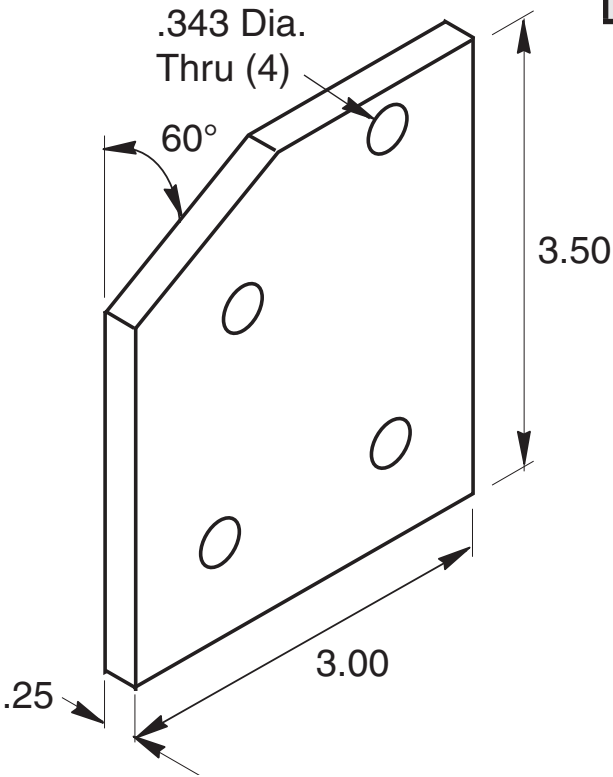
Recommended Hardware

- (4) EF-12-.63 BHCS
- (4) EF-2 T-nut



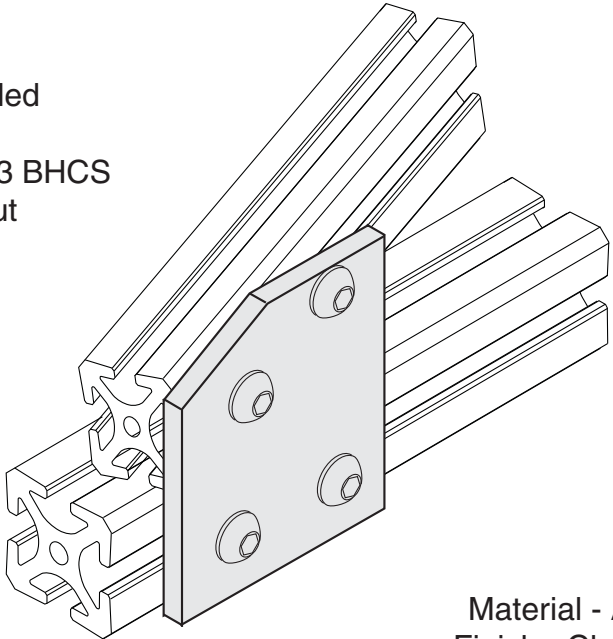
Material - Aluminum
Finish - Clear Anodize

EB-128



5/16" SLOTS

Recommended
Hardware
(4) EF-12-.63 BHCS
(4) EF-2 T-nut



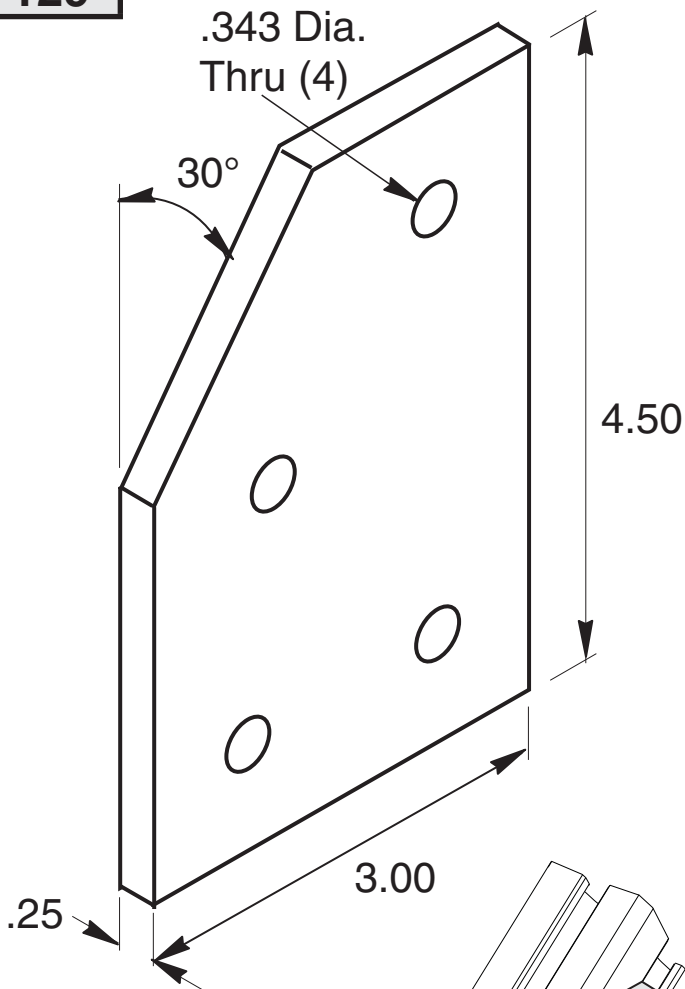
Material - Aluminum
Finish - Clear Anodize

30° Joining Plate

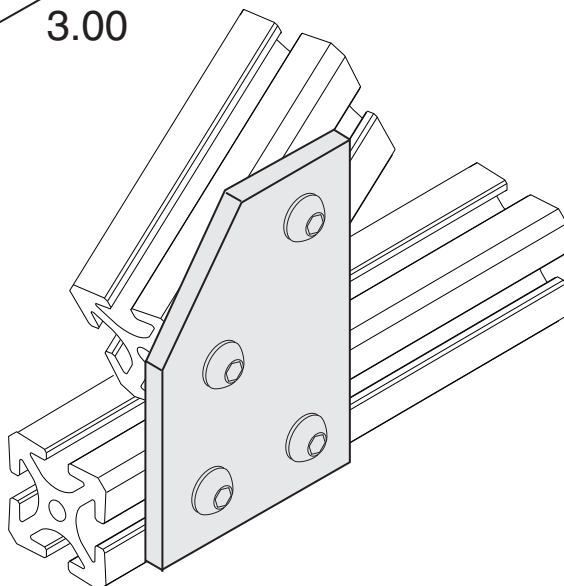


EB-129

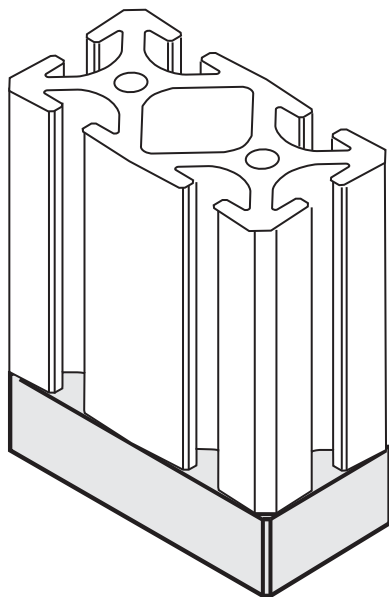
5/16" SLOTS



Recommended Hardware
(4) EF-12-.63 BHCS
(4) EF-2 T-nut



Material - Aluminum
Finish - Clear Anodize

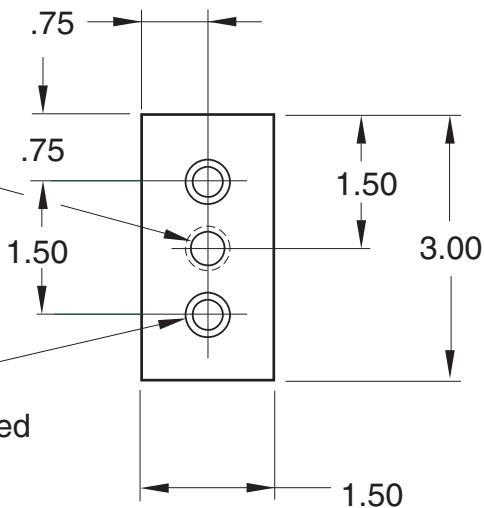


EBP-1
EBP-1A
EBP-1B
EBP-1C

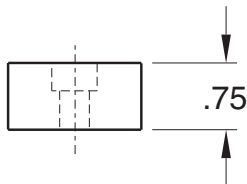
5/16" SLOTS

- | | |
|---------------|----------------------|
| EBP-1 | thread 1/2-13 |
| EBP-1A | 3/8-16 |
| EBP-1B | 5/8-11 |
| EBP-1C | 3/4-10 |

Drilled & C'Bored
for 5/16 SHCS
(2) plc's



Requires
(2) EF-11-1.0 SHCS

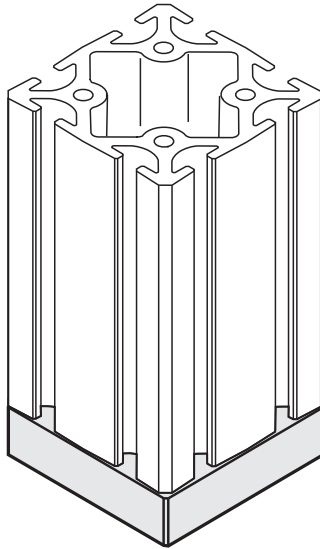


Material - Aluminum
Finish - Clear Anodize

Leveling Plate



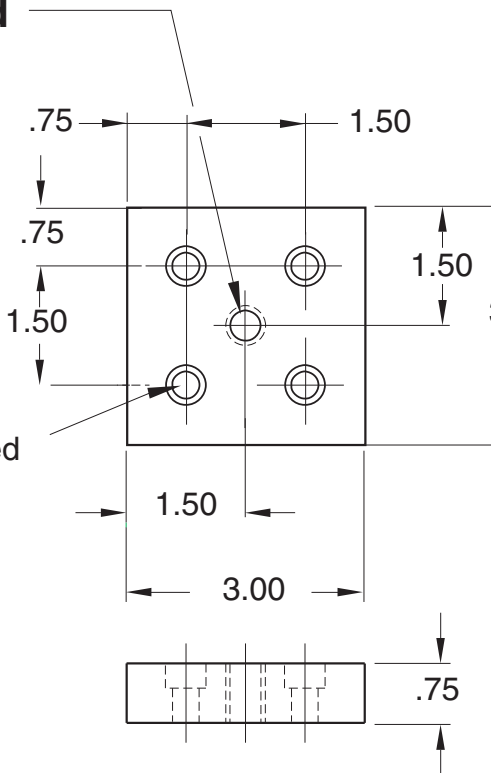
EBP-2
EBP-2A
EBP-2B
EBP-2C



5/16" SLOTS

EBP-2	thread 1/2-13
EBP-2A	3/8-16
EBP-2B	5/8-11
EBP-2C	3/4-10

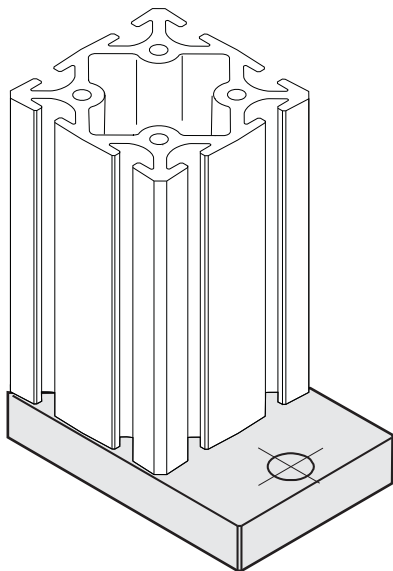
Drilled & C'Bored
for 5/16 SHCS
(4) plc's



Requires
(4) EF-11-1.0 SHCS

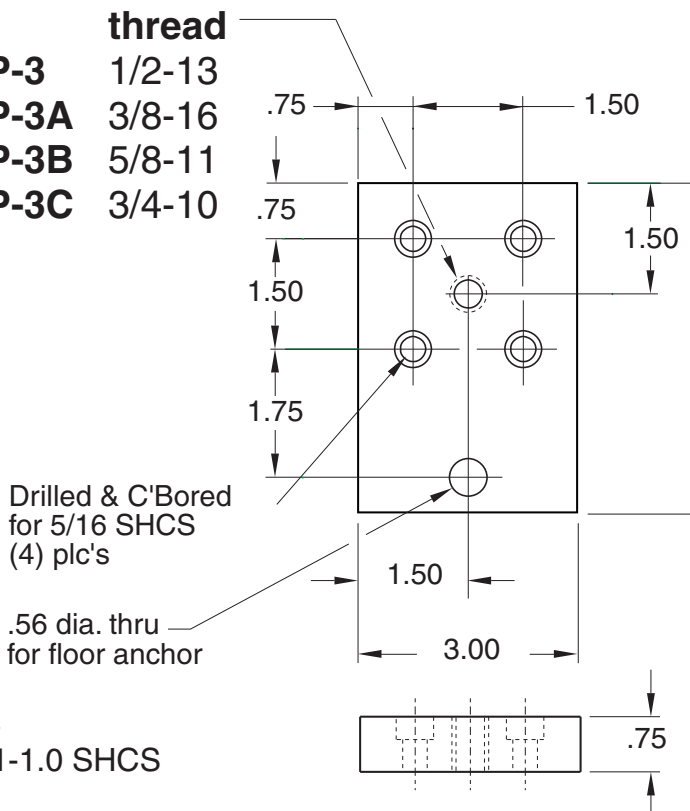
Material - Aluminum
Finish - Clear Anodize

EBP-3
EBP-3A
EBP-3B
EBP-3C



5/16" SLOTS

EBP-3	thread	1/2-13
EBP-3A	3/8-16	
EBP-3B	5/8-11	
EBP-3C	3/4-10	

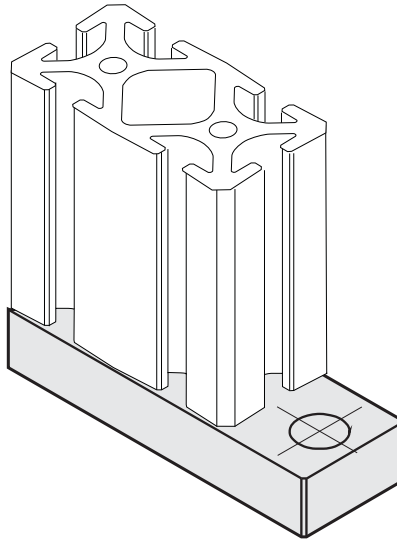


Material - Aluminum
Finish - Clear Anodize

Leveling Anchor Plate



EBP-4
EBP-4A
EBP-4B
EBP-4C

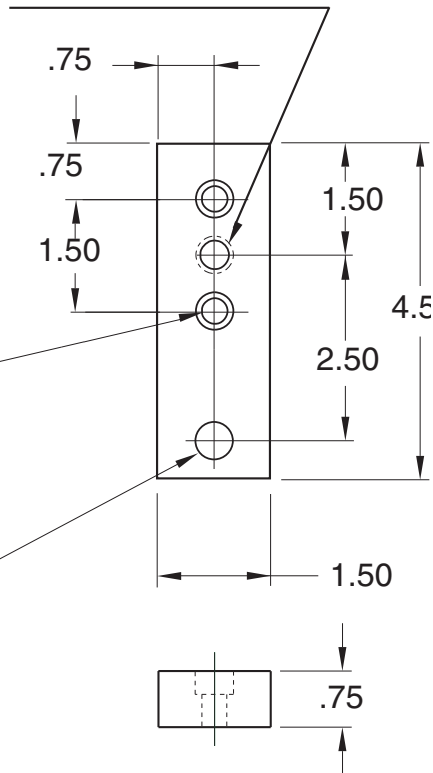


5/16" SLOTS

	thread
EBP-4	1/2-13
EBP-4A	3/8-16
EBP-4B	5/8-11
EBP-4C	3/4-10

Drilled & C'Bored
for 5/16 SHCS
(2) plc's

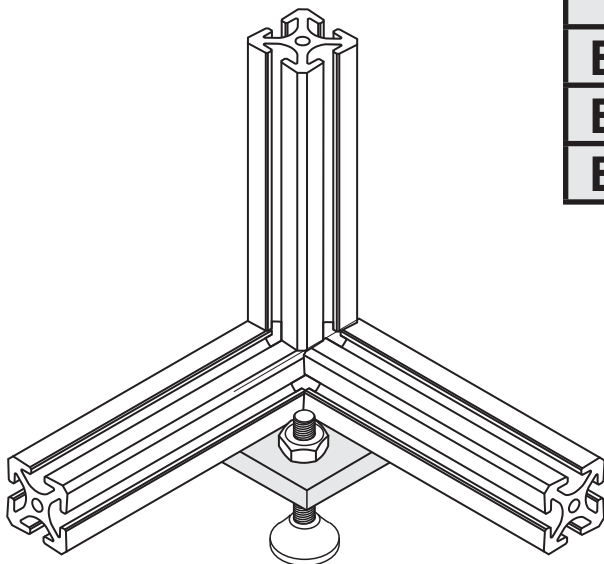
.56 dia. thru
for floor anchor



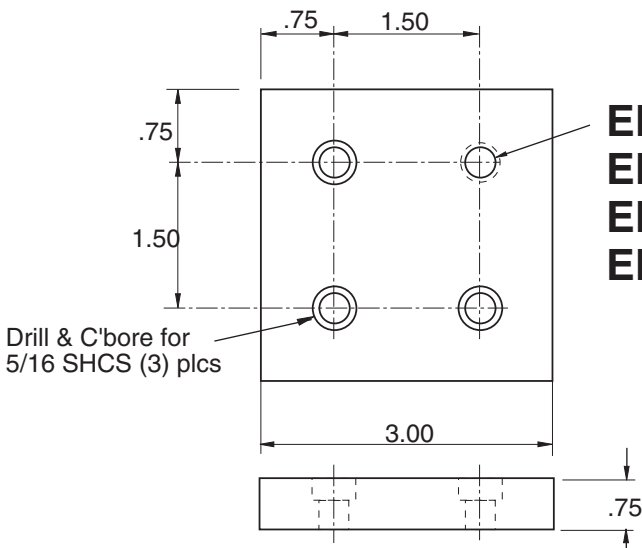
Requires
(2) EF-11-1.0 SHCS

Material - Aluminum
Finish - Clear Anodize

EBP-6
EBP-6A
EBP-6B
EBP-6C



5/16" SLOTS



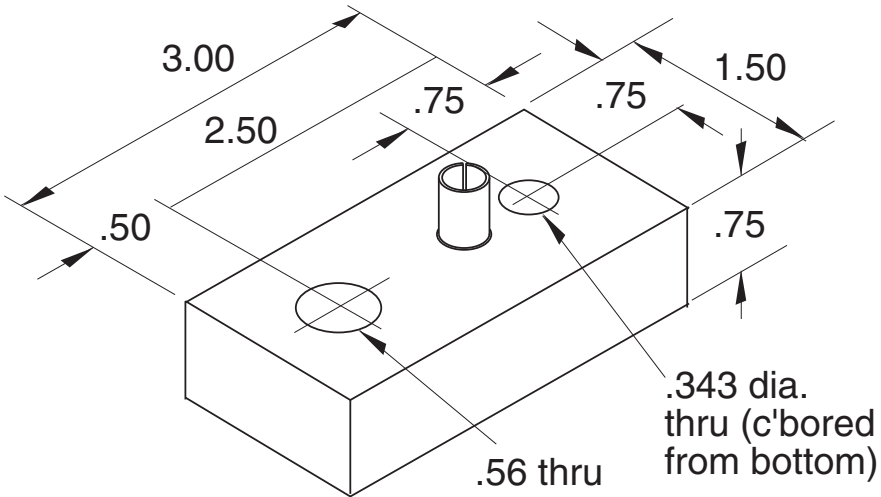
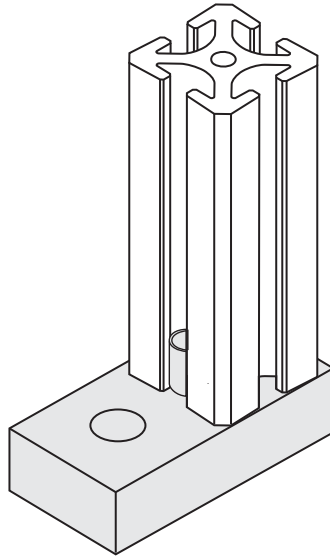
	thread
EBP-6	1/2-13
EBP-6A	3/8-16
EBP-6B	5/8-11
EBP-6C	3/4-10

- Requires
- (3) EF-11-.875 SHCS
 - (3) EF-2 T-nut

Material - Aluminum
Finish - Clear Anodize

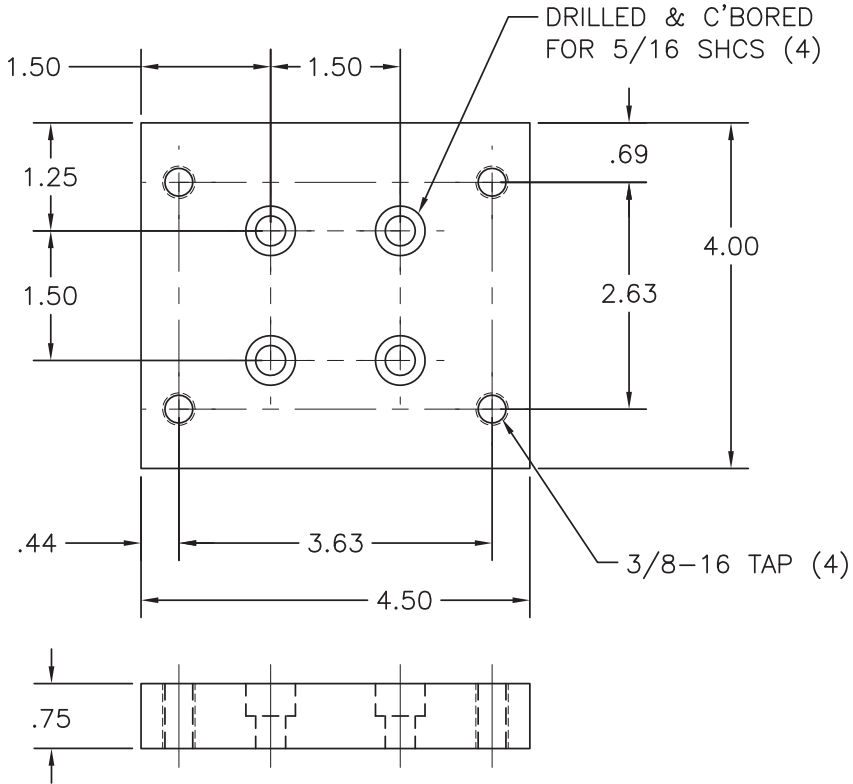
EBP-8

5/16" SLOTS



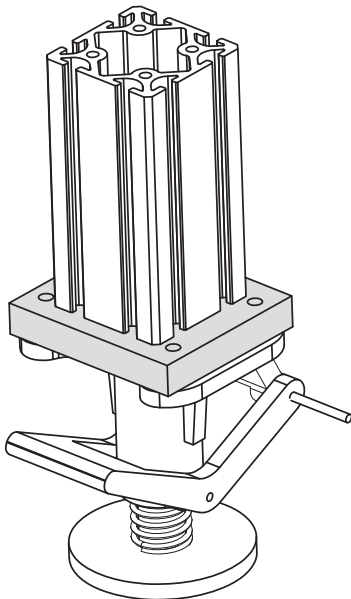
Requires
(1) EF-11-1.0 SHCS

Material - Aluminum
Finish - Clear Anodize



5/16" SLOTS

Recommended Hardware
 (4) EF-11.75
 (4) EF-1



Material - Steel
Finish - Zinc Coated

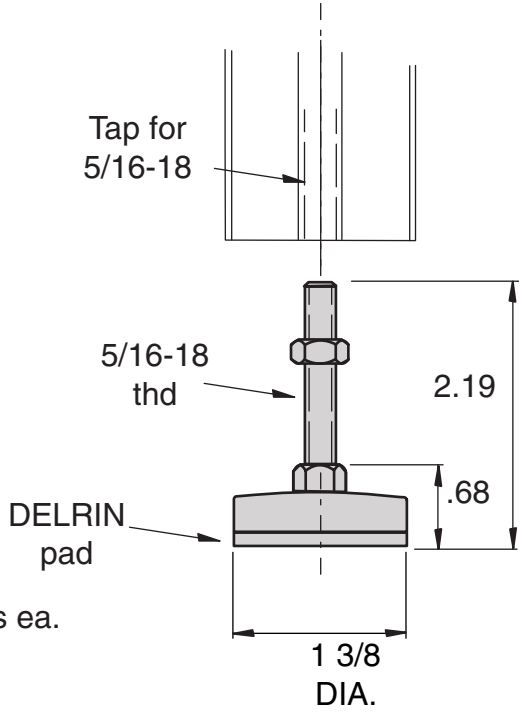
Adjustable Leg (Economy)



EAL

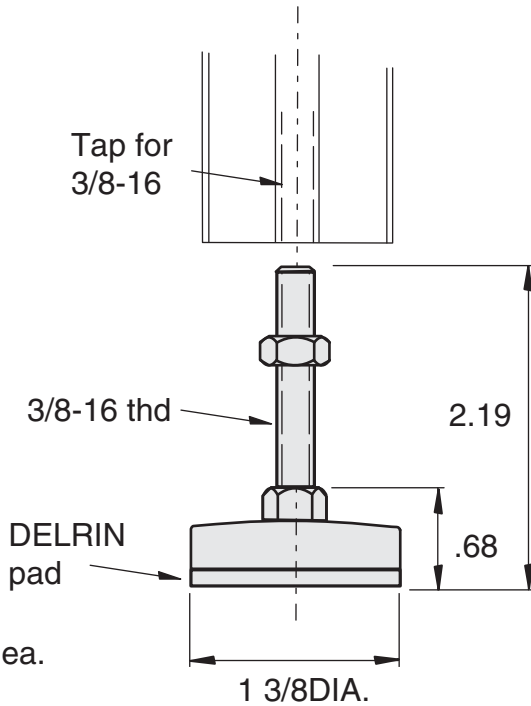
EAL-1

5/16" SLOTS



Max load = 250 lbs ea.

EAL-2



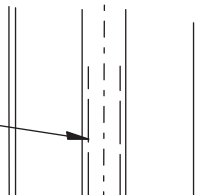
Max load = 400 lbs ea.

EAL-E

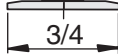
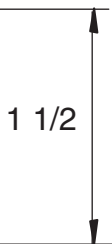
EAL-E1

Max load = 1700 lbs ea.

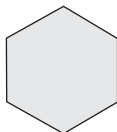
Tap for
5/16-18



5/16-18 thd



Material - Steel
Finish - Zinc Plated

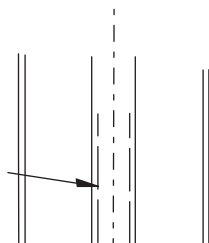


5/16" SLOTS

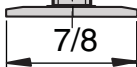
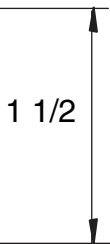
EAL-E2

Max load = 1700 lbs ea.

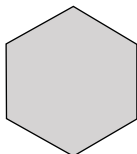
Tap for
3/8-16



3/8-16 thd



Material - Steel
Finish - Zinc Plated



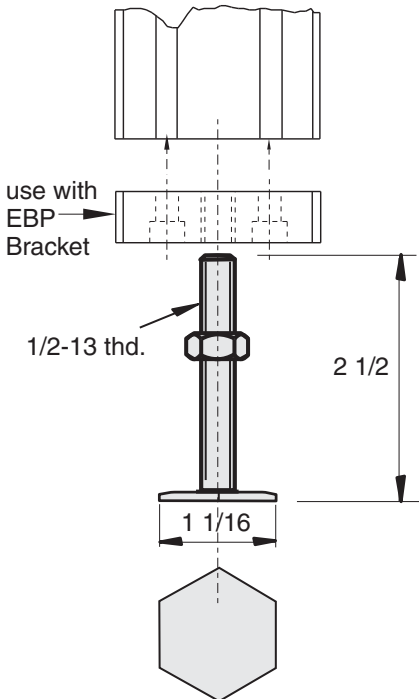
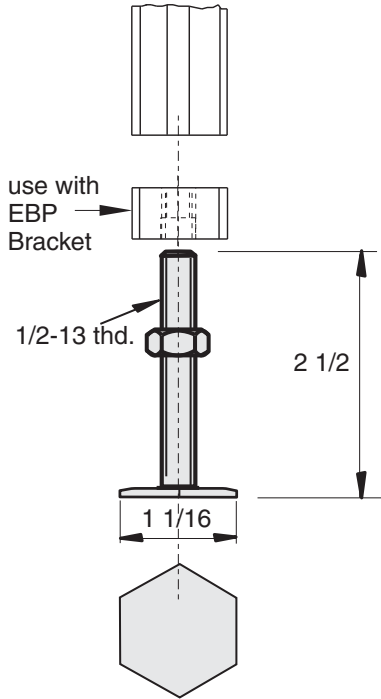
Adjustable Leg (Economy)



EAL-E

EAL-E3

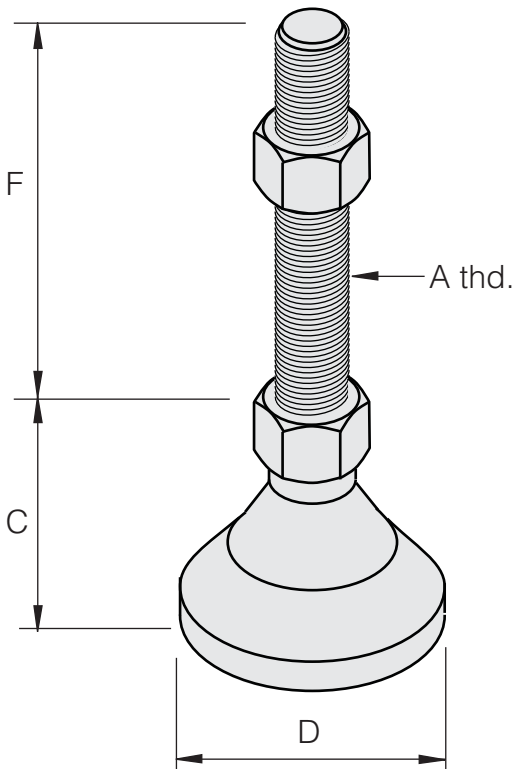
5/16" SLOTS



Max load = 4200 lbs ea.

Material - Steel
Finish - Zinc Plated

EAL-3
EAL-4
EAL-5
EAL-6
EAL-10



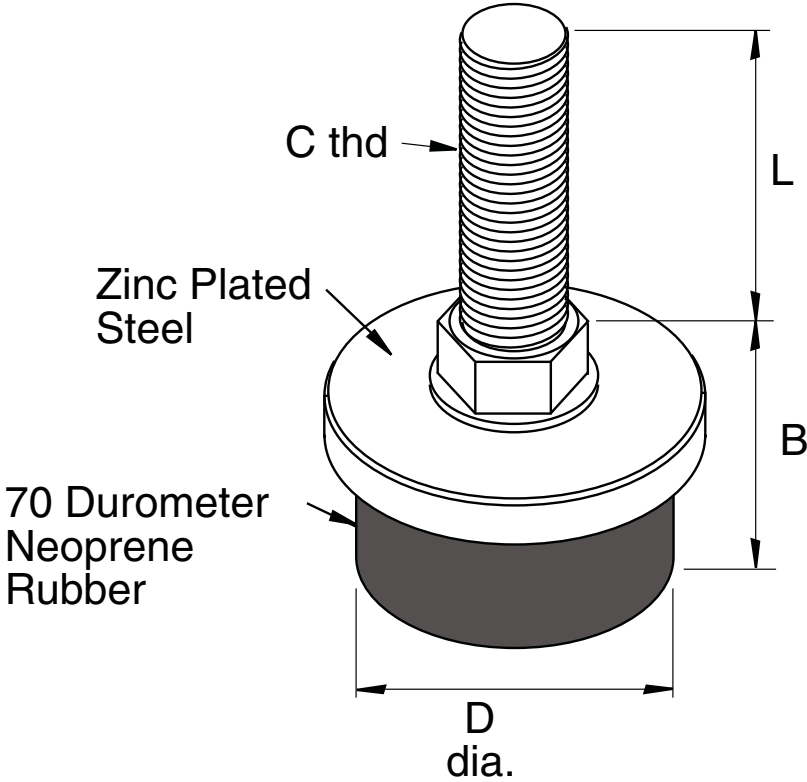
5/16" SLOTS

Part No	Max (lbs) Work Load	A	C	D	F
EAL-4	3750	3/8-16	7/8	1 1/4	2
EAL-3	5000	1/2-13	1 1/8	1 7/8	2
EAL-5	6000	5/8-11	1 1/4	2 1/2	2
EAL-6	7200	3/4-10	1 1/2	3	2
EAL-10	2300	5/16-18	1.25	1 1/4	2

Material - Steel
Finish - Yellow Zinc Plate

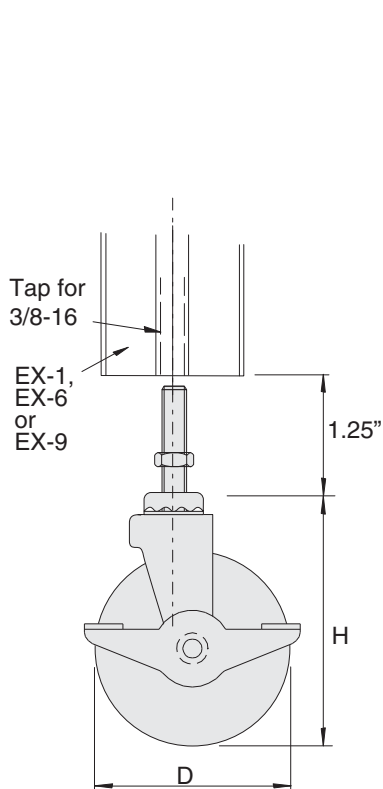
EAL-7
EAL-8
EAL-9

5/16" SLOTS

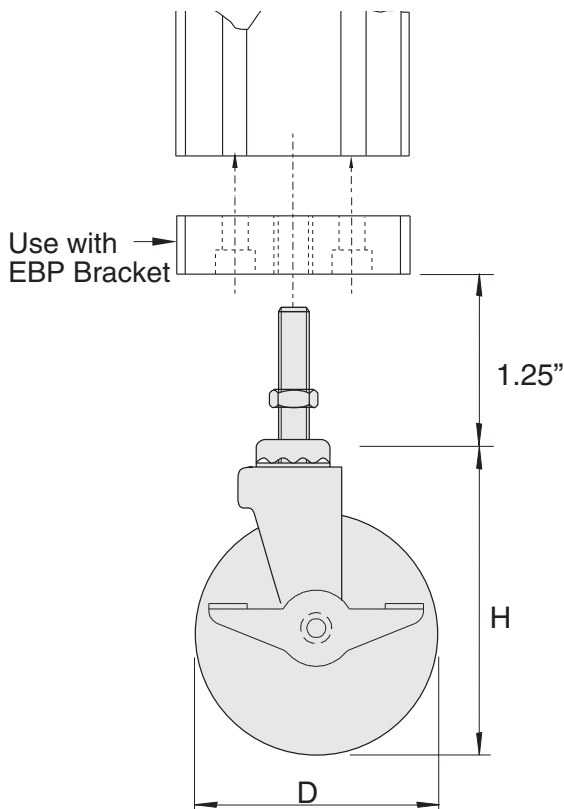


Part No	Max (lbs) Work Load	C Thd Size	D	B	L
EAL-7	100	$5/16$ -18	1.0	$13/16$	$1\ 1/4$
EAL-8	300	$3/8$ -16	1.5	$63/64$	3.0
EAL-9	300	$1/2$ -13	1.5	$1\ 1/16$	2.0

EC-S1
EC-S2
EC-S3



EC-S1
EC-S2



EC-S3

5/16" SLOTS

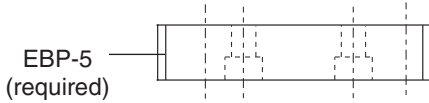
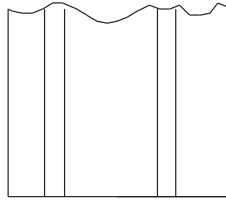
Note: Wheel material is hard plastic

Part no.	D	H	Stem	Brake	Max. Load	Wheel Width
EC-S1	2	2 5/8	3/8-16 x 1 1/4	Yes	125 lbs	1.00
EC-S2	3	3 3/4	3/8-16 x 1 1/4	Yes	250 lbs	1.25
EC-S3	4	5	1/2-13 x 1 1/2	Yes	300 lbs	1.25

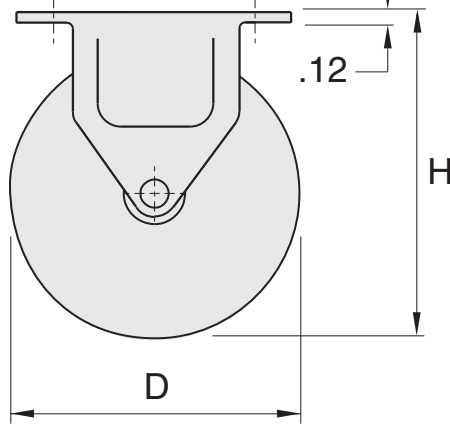
Fixed Plate Caster



EC-3F
EC-4F
EC-5F



The casters have (4) .343 dia
mtg holes on 1 3/4" x 3.00" centers



EX-3 uses caster plate EBP-5

Recommended Hardware
(4) EF-11.63 BHCS

Note: Wheel material is hard plastic

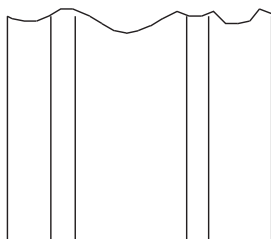
Part no.	D	H	Brake	Max. Load	Wheel Width
EC-3F	3	4.13	No	250 lbs	1.25
EC-4F	4	5.00	No	300 lbs	1.25
EC-5F	5	6.00	No	325 lbs	1.25

5/16" SLOTS

EC-3S

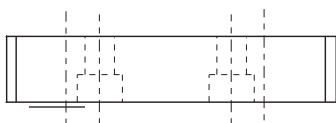
EC-4S

EC-5S



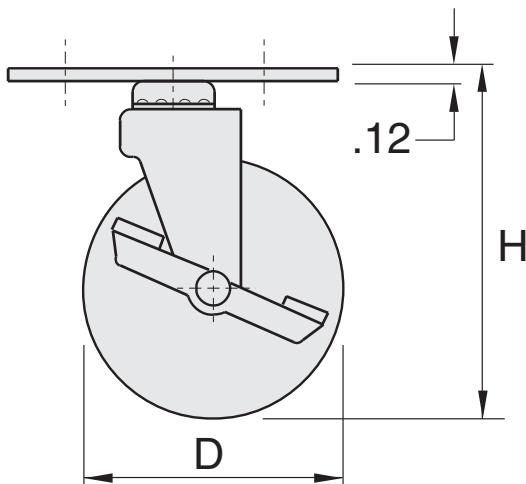
EX-3 uses caster plate EBP-5

EBP-5
(required)



Recommended Hardware
(4) EF-12.63 BHCS

The casters have (4) .343 dia
mtg holes on 1 3/4" x 3.00" centers



Note: Wheel material is hard plastic

Part no.	D	H	Brake	Max. Load	Wheel Width
EC-3S	3	4.13	Yes	250 lbs	1.25
EC-4S	4	5.00	Yes	300 lbs	1.25
EC-5S	5	6.00	Yes	325 lbs	1.25

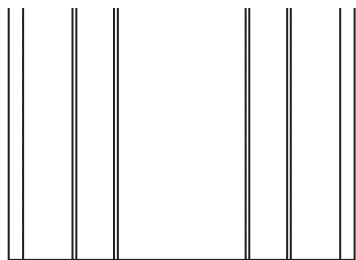
5/16" SLOTS

Total Lock Swivel Plate Caster



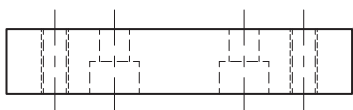
ECT-4S

5/16" SLOTS

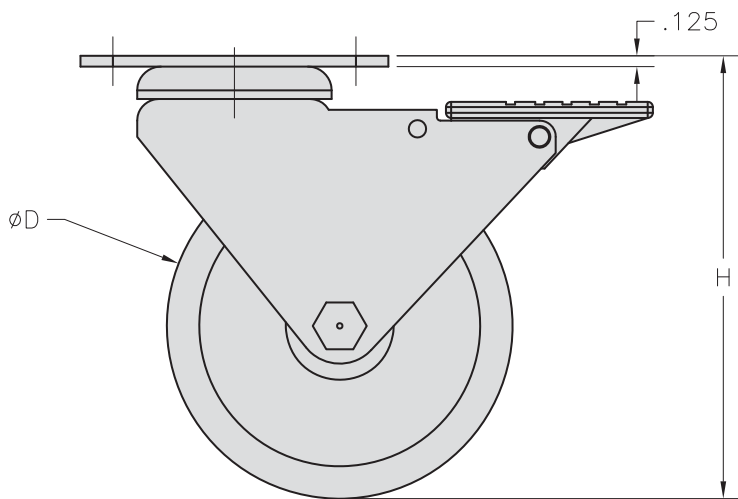


Locking Mechanism
Locks
Wheel Rotation
and Swivel

EX-3 USES CASTER PLATE EBP-5
REQUIRED HARDWARE
(4) EF-12-.63 SHCS

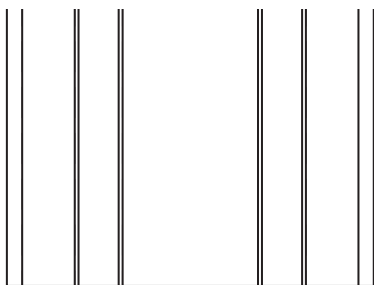


The Casters Have (4) $\text{\O} .343$ Mounting Holes
on $1 \frac{3}{4}$ " x $2 \frac{7}{8}$ " Centers

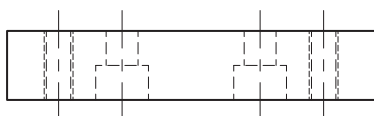


Note: Wheel Material is Grey Polyurethane

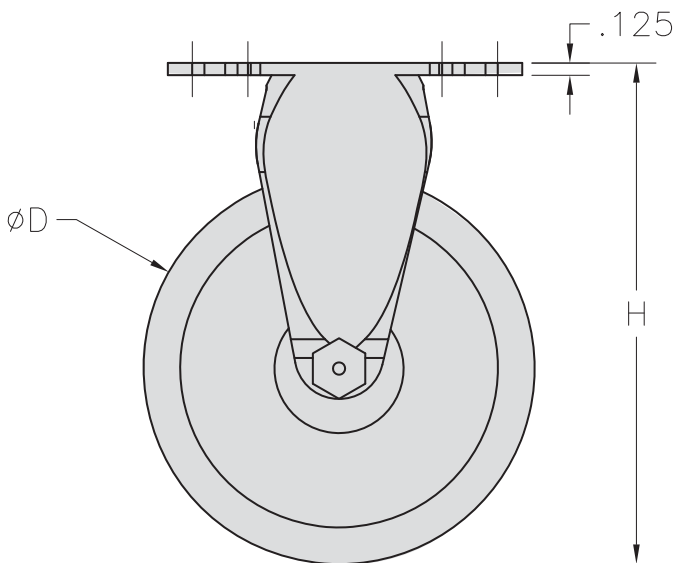
PART NO	$\text{\O}D$	H	BRAKE	MAX LOAD	WHEEL WIDTH
ECT-4S	4.00	5.13	YES	250 lbs	1.25



EX-3 USES CASTER PLATE EBP-5
REQUIRED HARDWARE
(4) EF-12-.63 SHCS



The Casters Have (4) $\text{\O} .343$ Mounting Holes
on $1\ 3/4$ " x $2\ 7/8$ " Centers



Note: Wheel Material is Grey Polyurethane

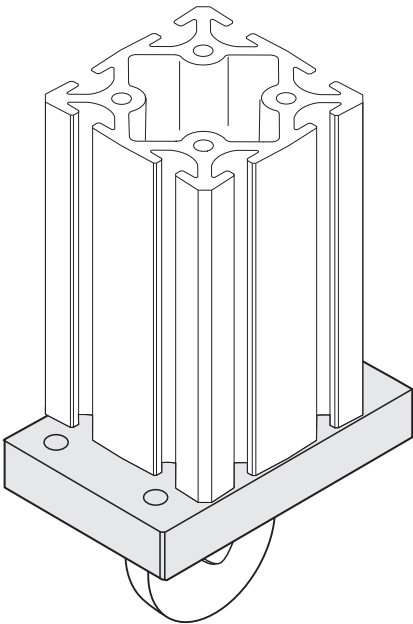
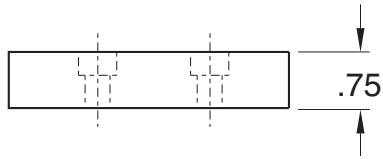
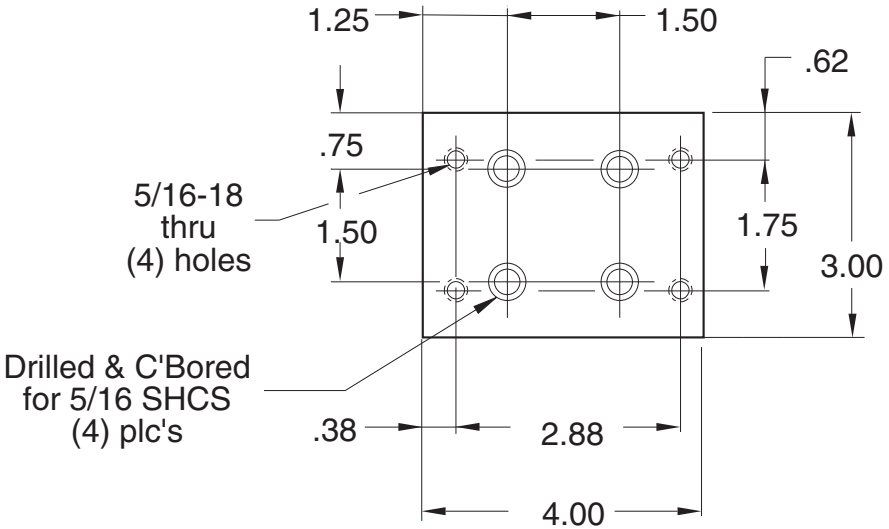
PART NO	$\text{\O}D$	H	BRAKE	MAX LOAD	WHEEL WIDTH
ECT-4F	4.00	5.13	NO	250 lbs	1.25

Caster Mounting Plate



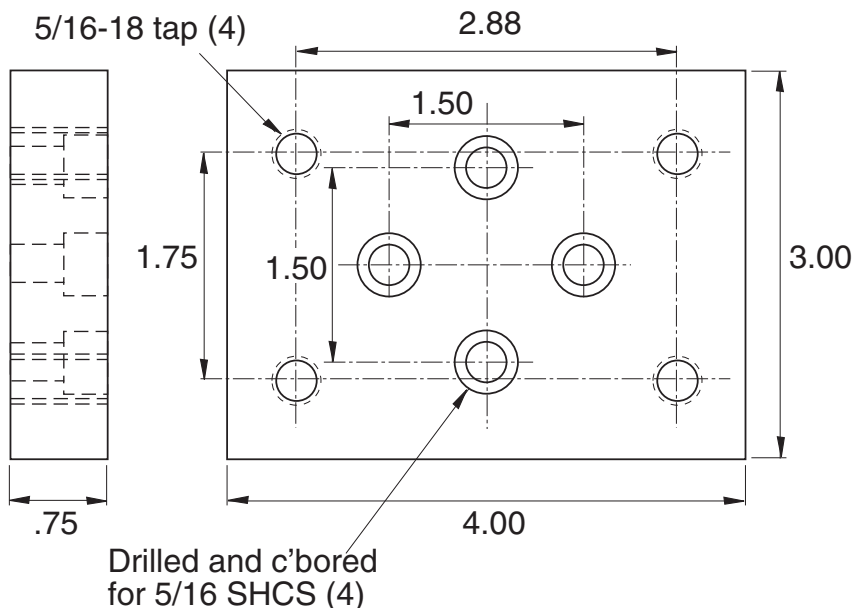
EBP-5 for Plate Casters

5/16" SLOTS



Requires
(4) EF-11-1.0 SHCS

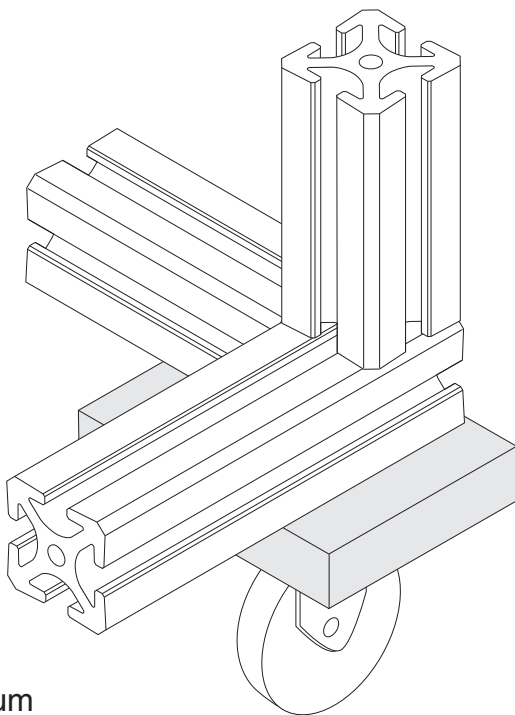
Material - Aluminum
Finish - Clear Anodize



5/16" SLOTS

- Requires
- (2) EF-11-.75 SHCS
 - (2) EF-2 T-nut

Note: Plate can be rotated 90°

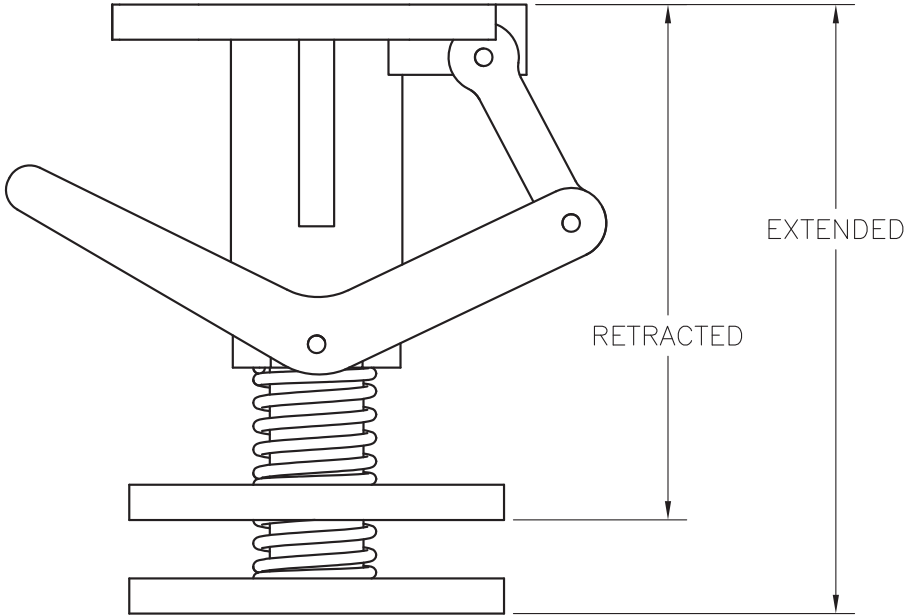


Material - Aluminum
Finish - Clear Anodize

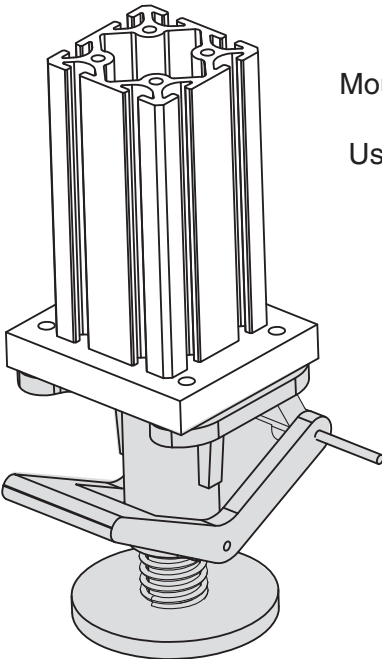
Floor Locks



EB-151
EB-153



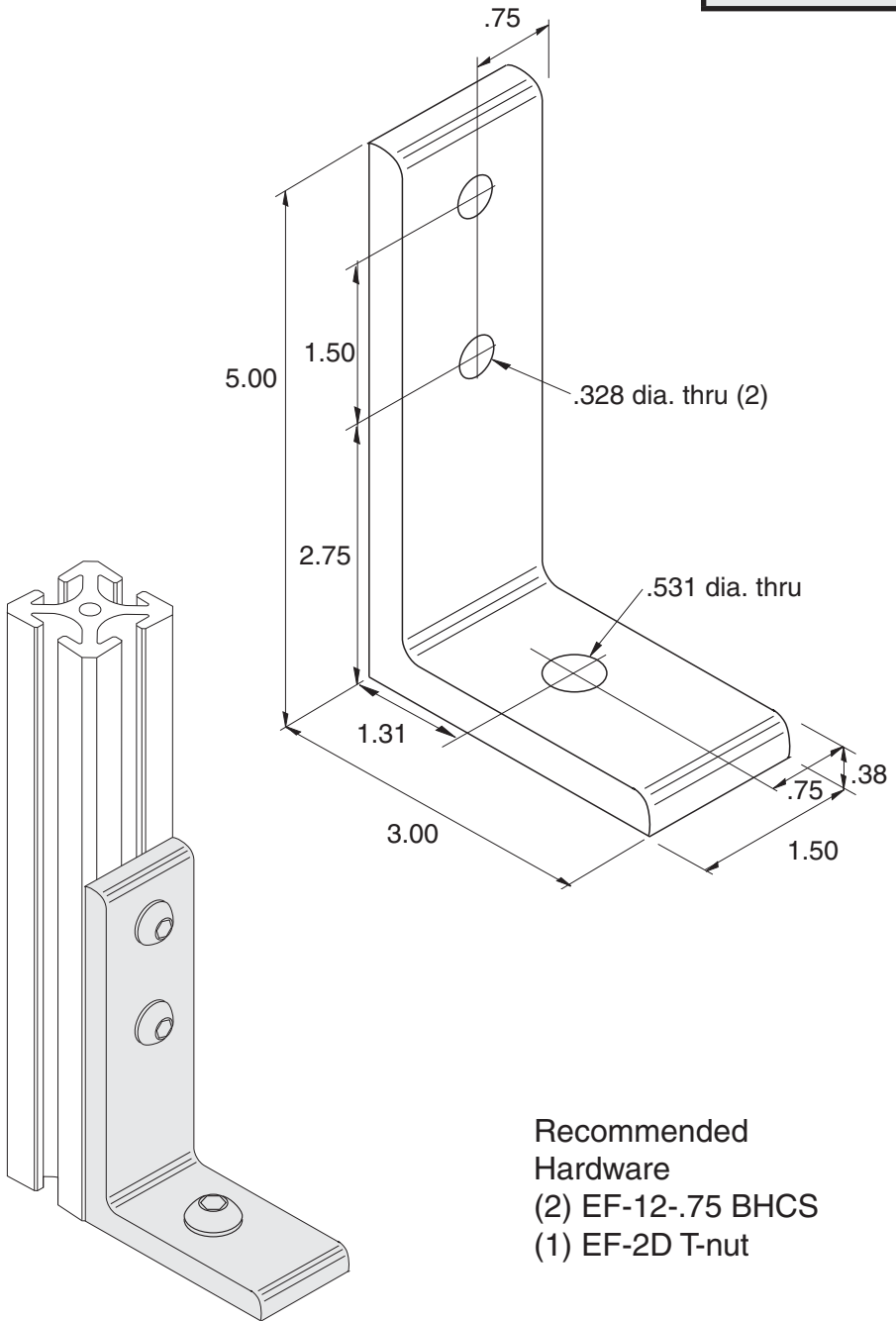
Top Plate Dimension - 4.0" x 4.0"
 Bolt Diameter - Ø.375"
 Mounting Hole Centerline - 2.625" x 3.625"
 (4) 3/8-16 x 5/8" BHCS Included
 Use EB-154 Mounting Plate for 5/16" Slot Extrusions.



PART NO	RETRACTED	EXTENDED
EB-151	5 1/16"	5 5/8"
EB-153	6 3/4"	7 3/4"

New Stuff

5/16" SLOTS



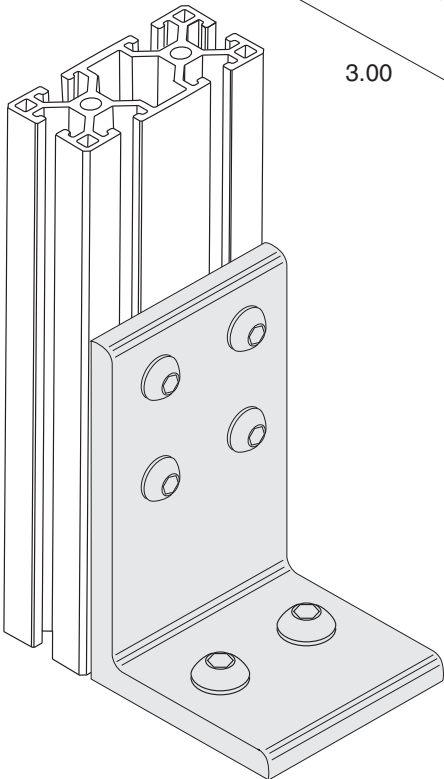
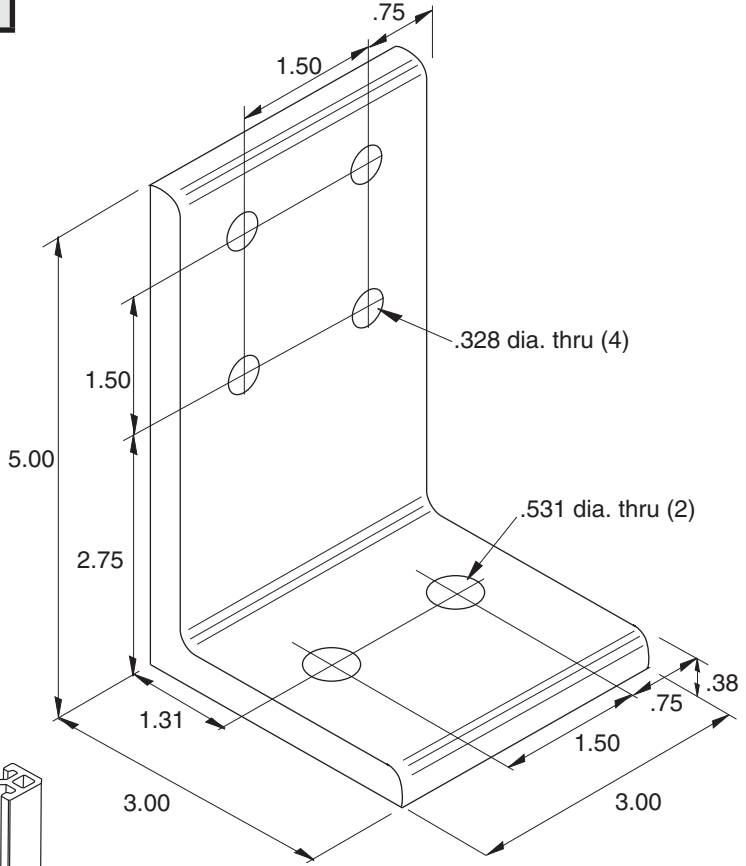
Material - Aluminum
Finish - Clear Anodize

Economy Aluminum Floor Mount



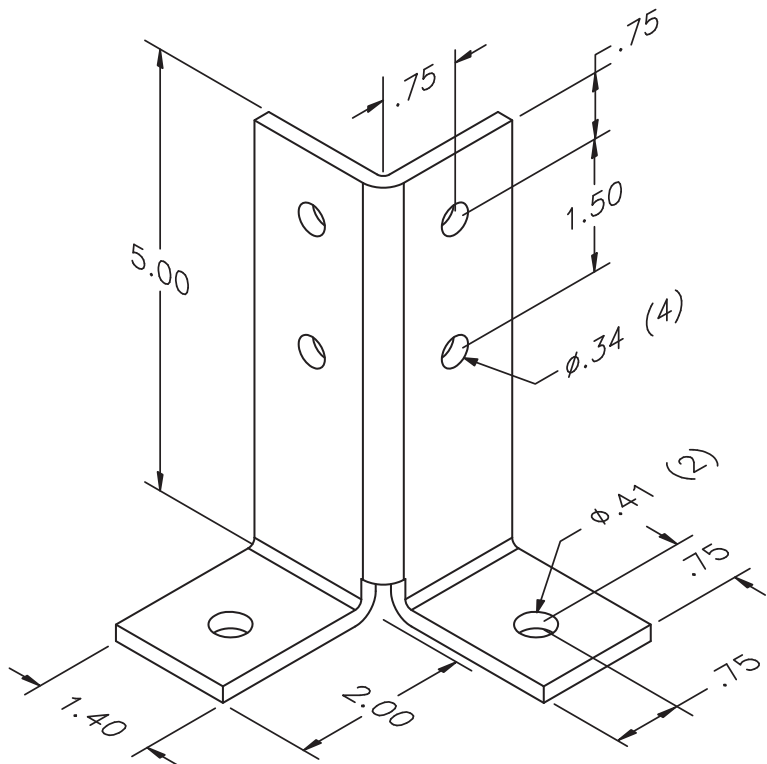
EB-15AL3

5/16" SLOTS



Recommended
Hardware
(4) EF-12-.75 BHCS
(2) EF-2D T-nut

Material - Aluminum
Finish - Clear Anodize



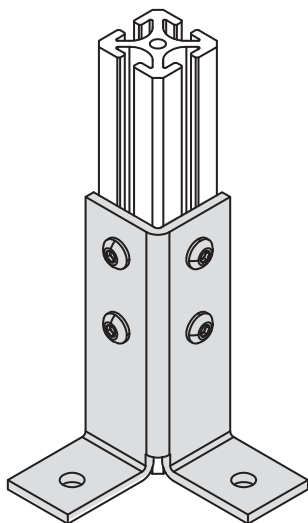
.200" thick

Use with 5/16" slot extrusions

Recommended
Hardware

- (4) EF-12-.63 BHCS
- (2) EF-2D T-nut

Material - Steel
Finish - Grey Powder Coat



5/16" SLOTS

Adjustable Leveling Foot

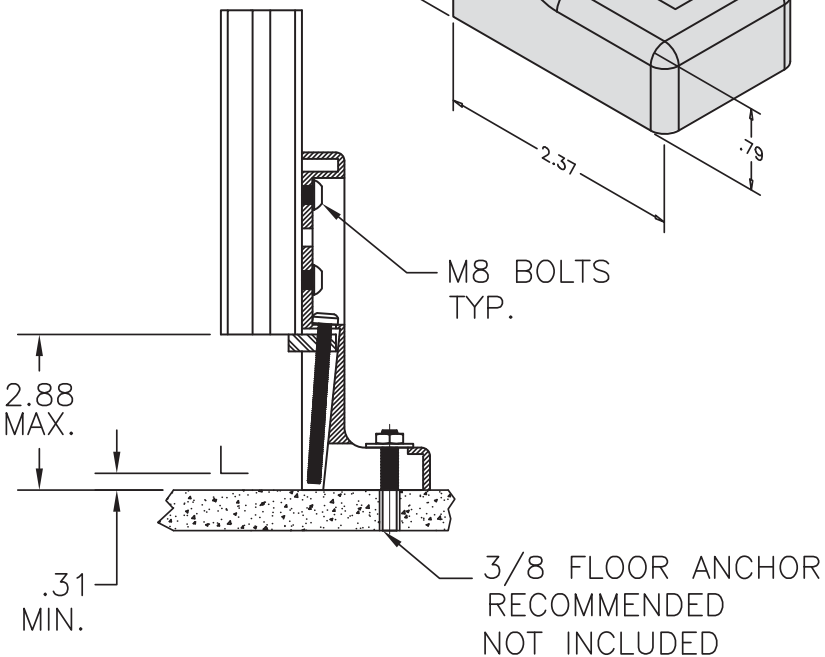
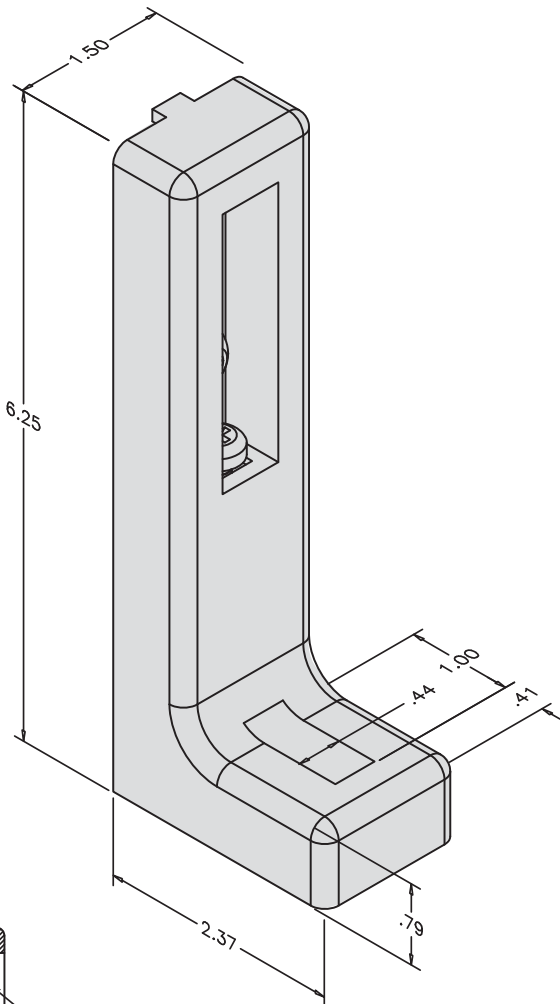


EB-70

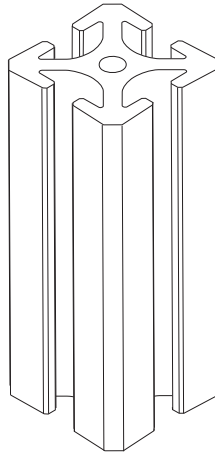
5/16" SLOTS

Hardware for Mounting to Extrusion Included

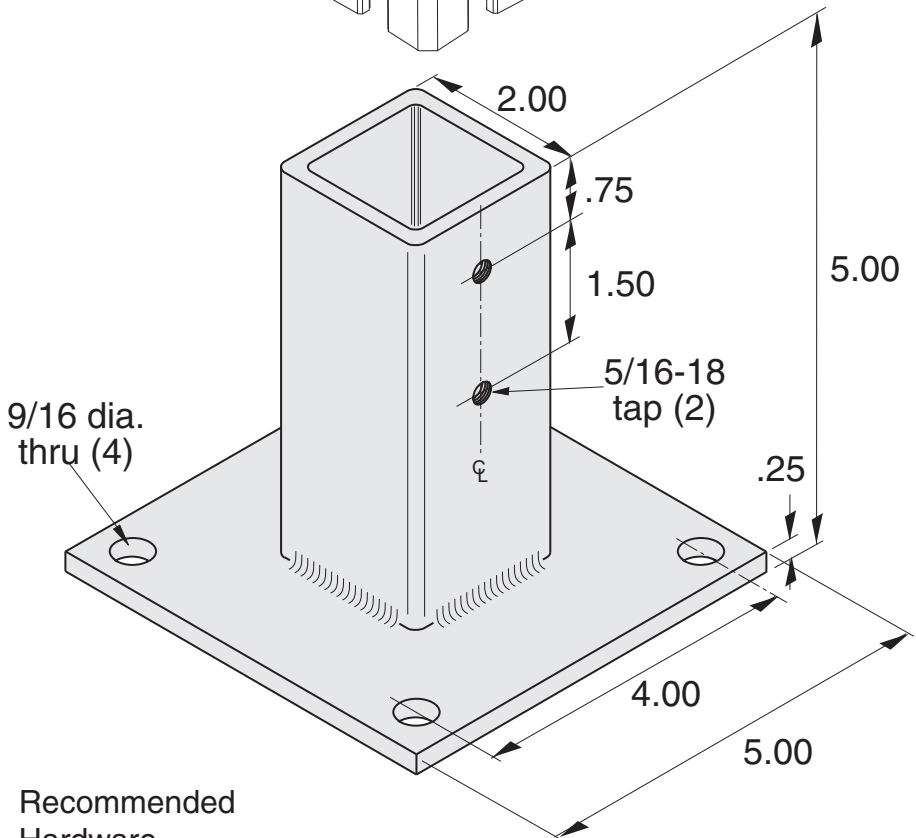
Use with 5/16" slot Extrusions



Material - Die Cast Zinc
Finish - Black Powder Coat



use with
1.5" square profiles



9/16 dia.
thru (4)

5/16-18
tap (2)

Recommended
Hardware
(2) EF-11-1.0 BHCS

Material - Steel
Finish - Black Powder Coat

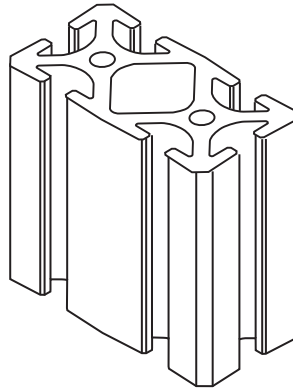
5/16" SLOTS

Steel Flanged Foot

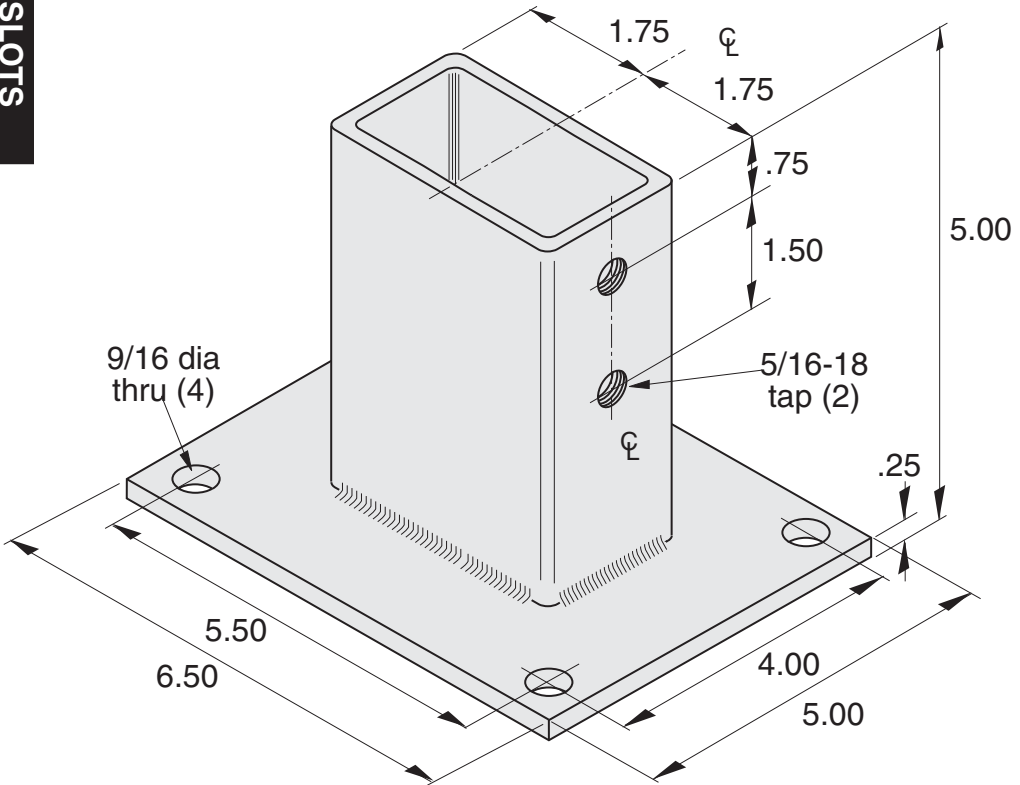


EB-42

5/16" SLOTS



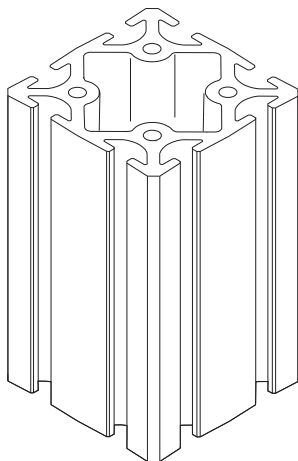
use with
1.5" x 3" profiles



Recommended
Hardware
(2) EF-11-1.0 SHCS

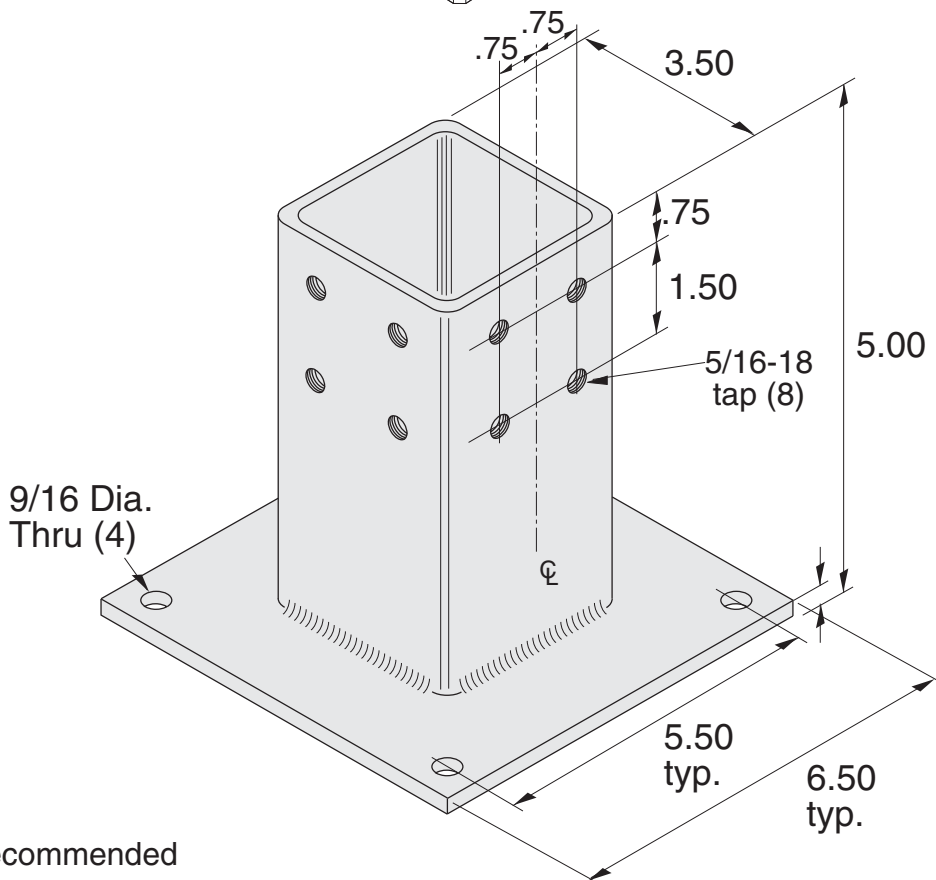
Material - Steel
Finish - Black Powder Coat

EB-43



use with
EX-3 or EX-37

5/16" SLOTS

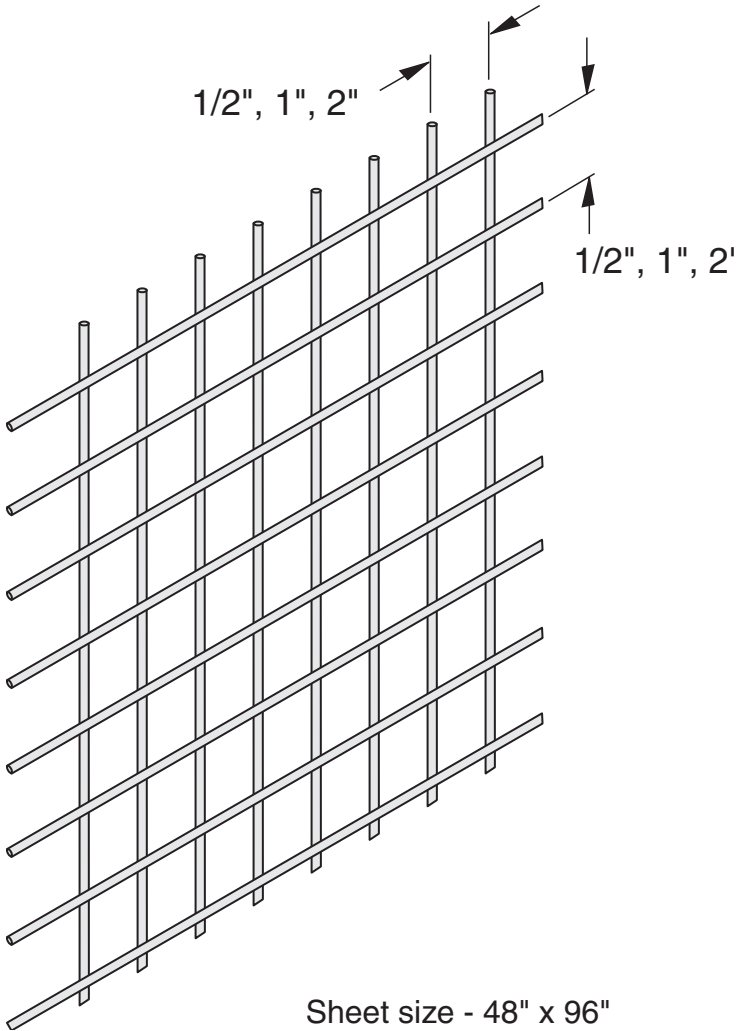


Recommended
Hardware
(4) EF-11-1.0 BHCS

Material - Steel
Finish - Black Powder Coat

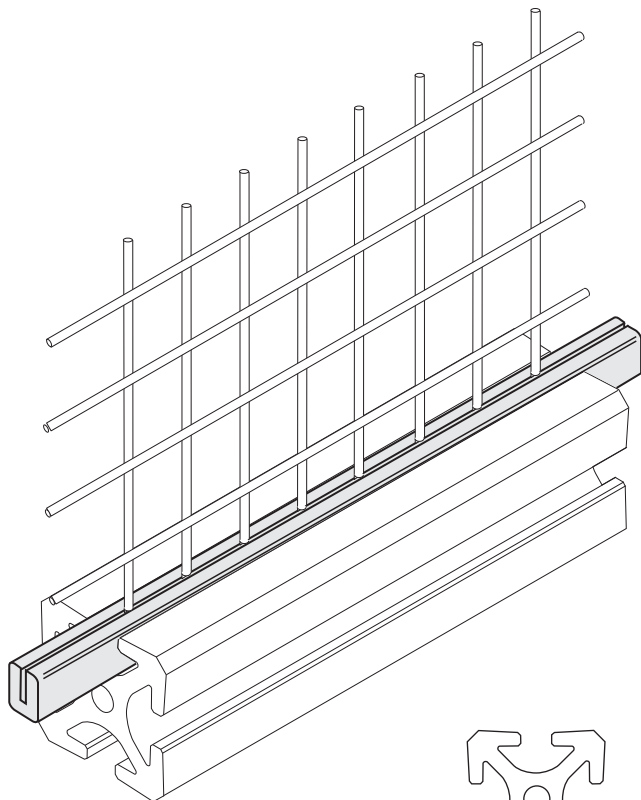
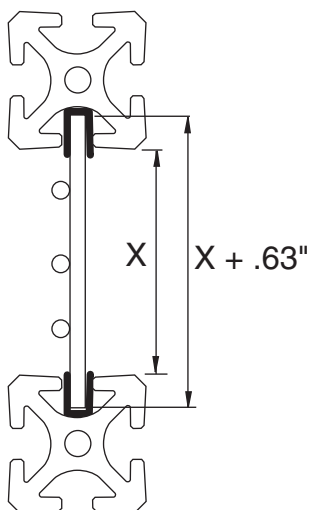
EB-38-1/2	16 gage wire 1/2"x 1/2" opening - Black
EB-38-1/2Y	16 gage wire 1/2"x 1/2" opening - Yellow
EB-38-1	12 gage wire 1"x1" opening - Black
EB-38-1Y	12 gage wire 1"x1" opening - Yellow
EB-38-2	12 gage wire 2" x 2" opening - Black

5/16" SLOTS



Material - PVC Coated Steel
 Yellow or Black
 Other colors/finishes available upon request

Use with EB-38-1 or EB-38-1/2

EB-38G**5/16" SLOTS**Cut wire
mesh to $X + .63''$ To specify length required,
order EB-38G, length in feet.

Note: Snug fit - eliminates rattles

Material - Black Rubber

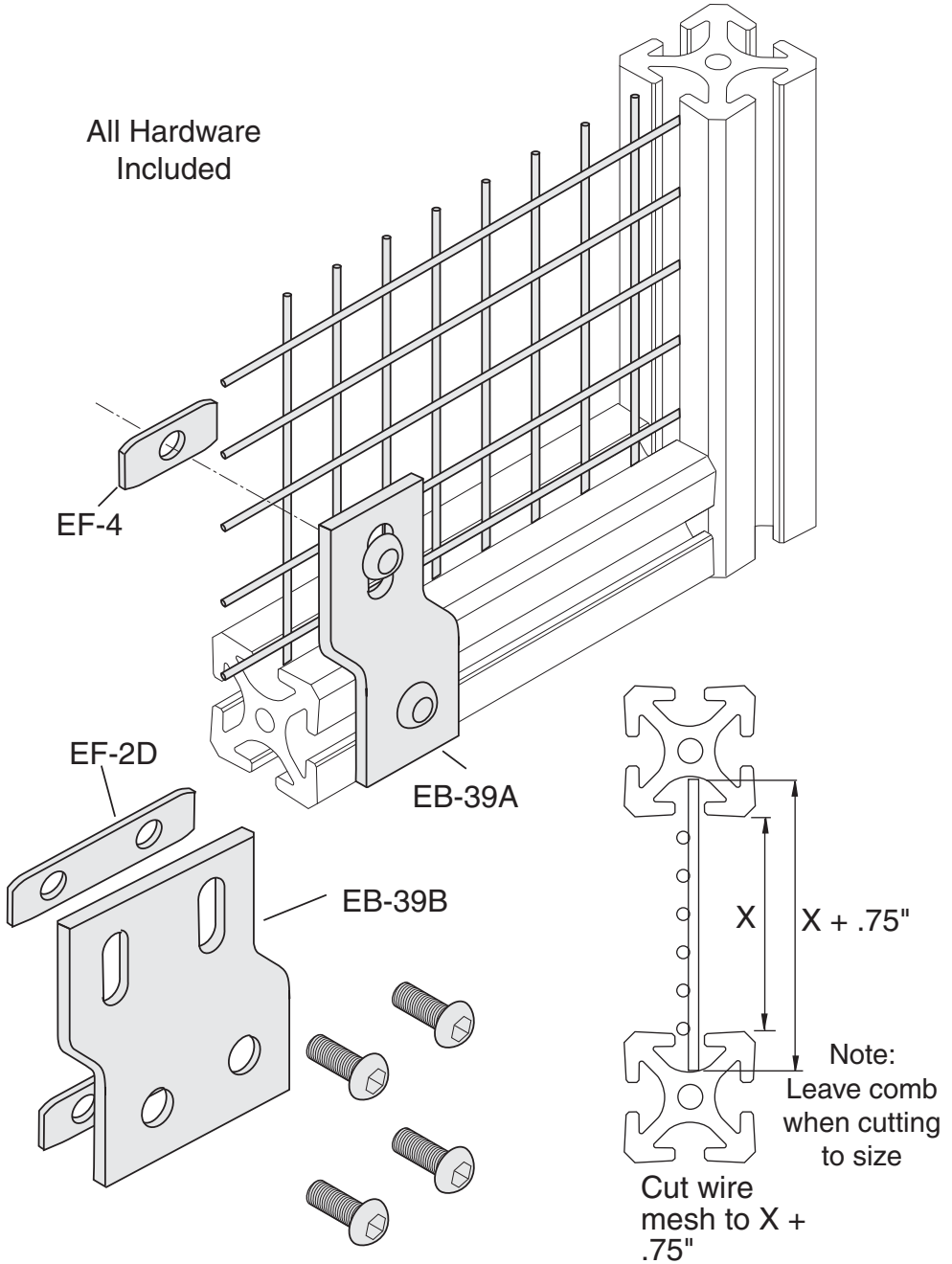
Wire Mesh Bracket



EB-39A
EB-39B

All Hardware
Included

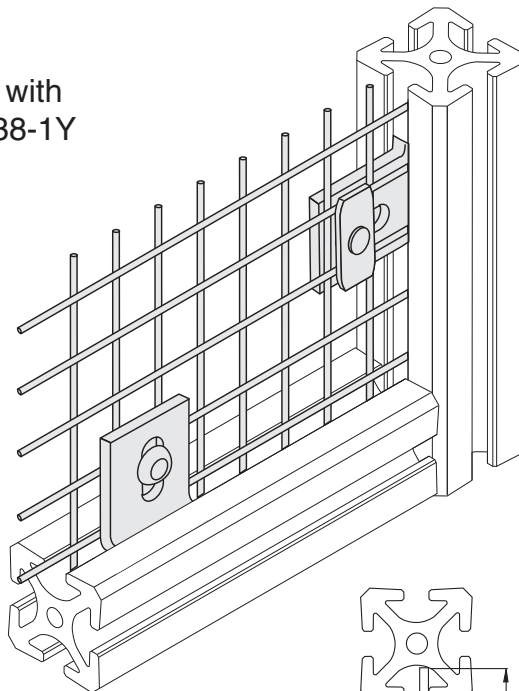
5/16" SLOTS



Material - Steel
Finish - Black Powder Coat

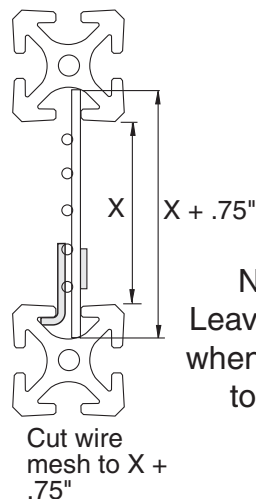
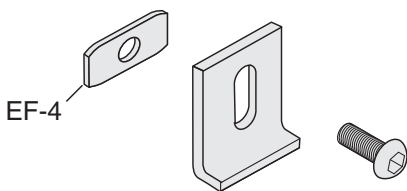
Black Powder Coat	EB-49B
Yellow Powder Coat	EB-49Y

Note: to be used with
EB-38-1 and EB-38-1Y
screen only

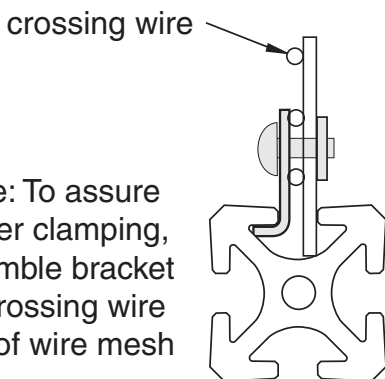


5/16" SLOTS

Hardware Included



Note:
Leave comb
when cutting
to size

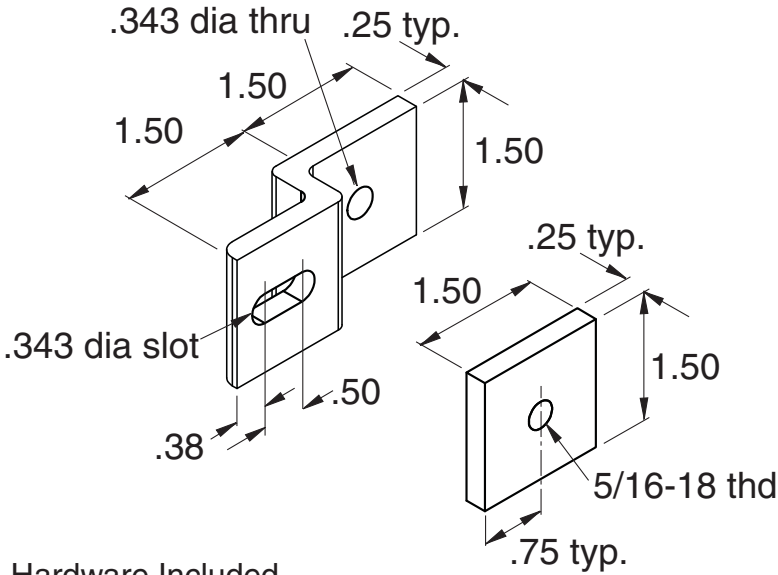


Note: To assure
proper clamping,
assemble bracket
on crossing wire
side of wire mesh

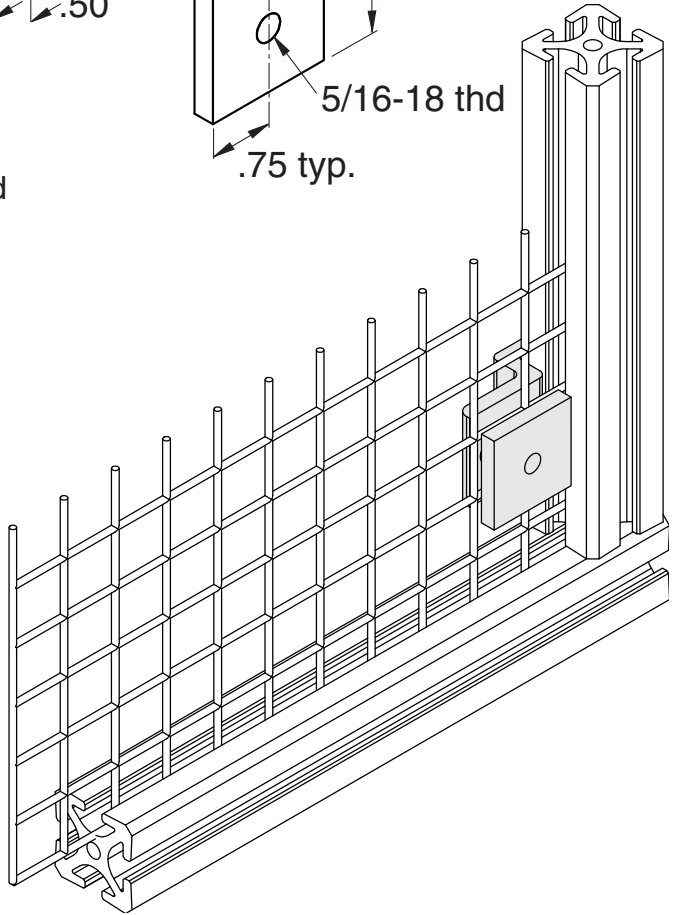
Material - Powder Coated Steel

EB-63

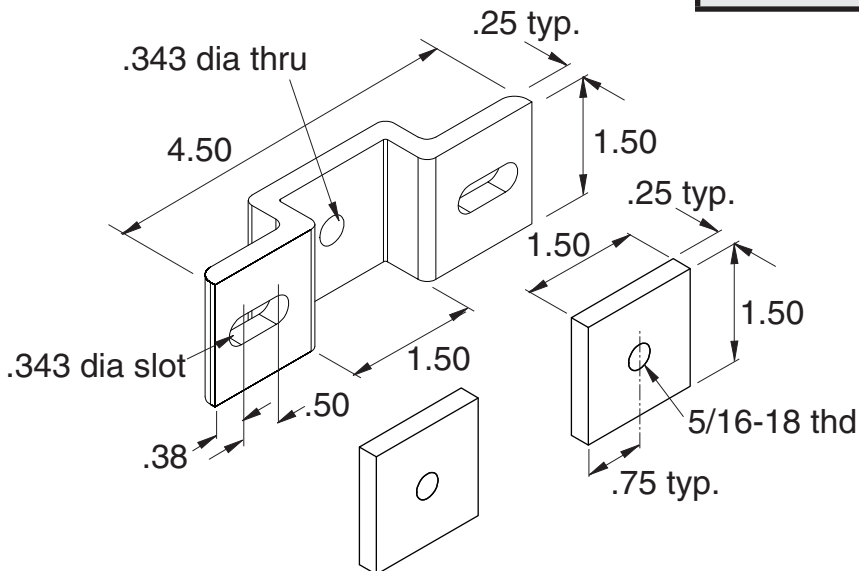
5/16" SLOTS



Hardware Included

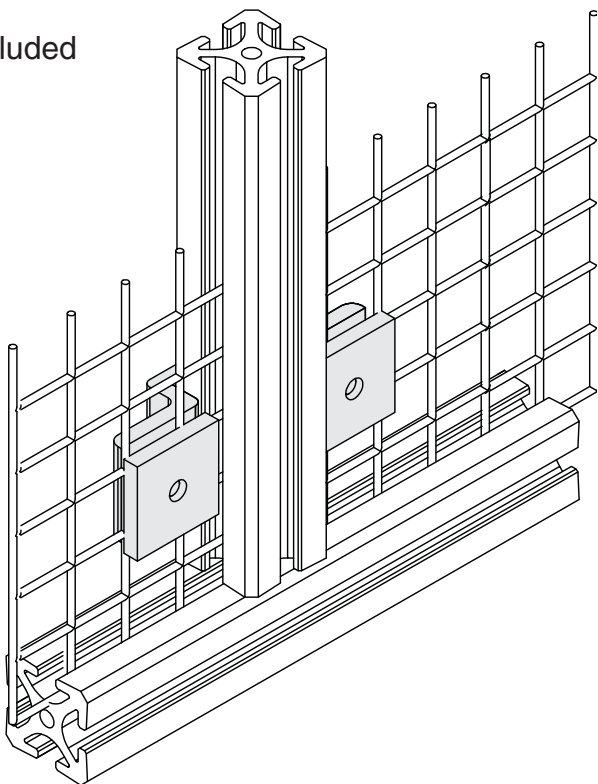


Material - Aluminum
Finish - Clear Anodize



5/16" SLOTS

Hardware Included

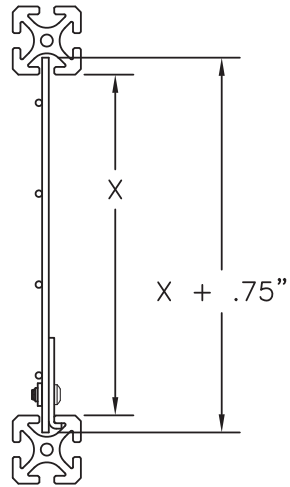
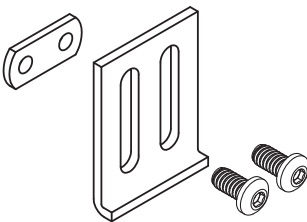
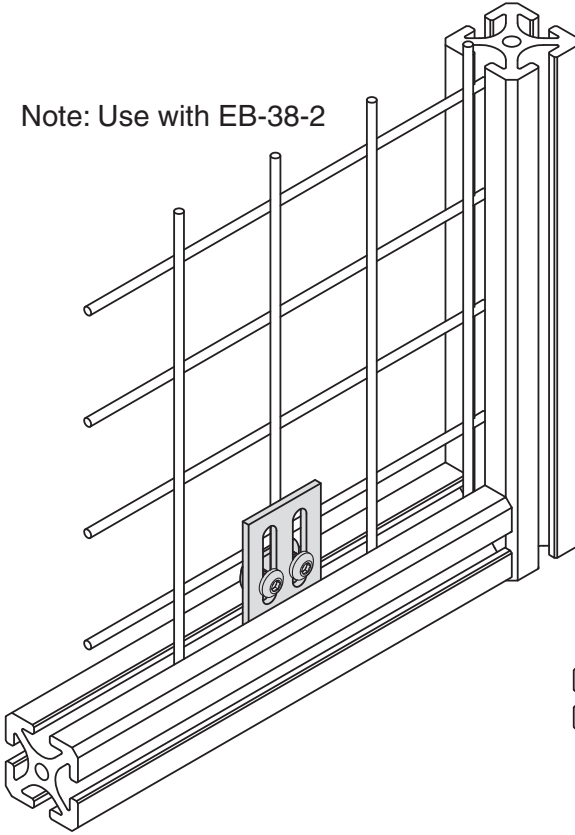


Material - Aluminum
Finish - Clear Anodize

EB-96

5/16" SLOTS

Note: Use with EB-38-2



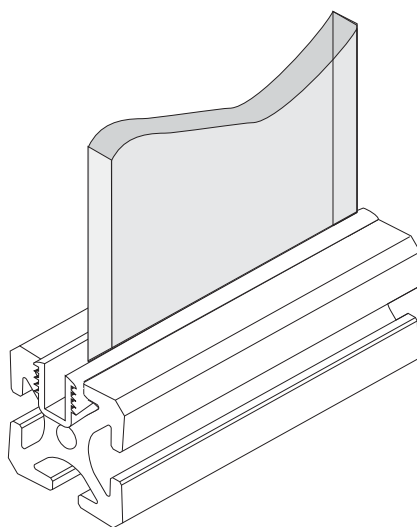
Cut Wire Mesh
to $X + .75$ "
Note: Leave Comb
when cutting to size

Hardware Included

Material - Steel
Finish - Black Powder Coat

Stocked in 48" x 96" sheets
Sold by the square foot.

- EB-160** Polycarb 1/4" Clear Panel
- EB-161** Polycarb 1/4" Bronze Panel
- EB-162** Polycarb 1/4" Black Panel
- EB-165** Polycarb 3/16" Clear Panel
- EB-166** Polycarb 3/16" Bronze Panel
- EB-170** Acrylic 1/4" Clear Panel
- EB-171** Acrylic 1/4" Bronze Panel
- EB-172** Acrylic 1/4" Black Panel
- EB-175** Acrylic 3/16" Clear Panel
- EB-176** Acrylic 3/16" Bronze Panel
- EB-177** Acrylic 3/16" Black Panel
- EB-180** ABS-Haircell 1/4" Black Panel
- EB-181** ABS-Haircell 3/16" Black Panel
- EB-185** Expanded PVC 6mm Yellow Panel
- EB-186** Expanded PVC 3mm Yellow Panel
- EB-187** Expanded PVC 6mm Grey Panel
- EB-188** Expanded PVC 3mm Grey Panel
- EB-189** Expanded PVC 6mm Blue Panel
- EB-190** Expanded PVC 3mm Blue Panel
- EB-191** Expanded PVC 6mm Red Panel
- EB-192** Expanded PVC 3mm Red Panel
- EB-193** Expanded PVC 6mm Black Panel
- EB-194** Expanded PVC 3mm Black Panel
- EB-195** Expanded PVC 6mm White Panel
- EB-196** Expanded PVC 3mm White Panel
- EB-197** Polycarb 1/4" Clear Scratch-resistant Panel
- EB-198** Polycarb 3/16" Clear Scratch-resistant Panel

**5/16" SLOTS**

Cut to size panels can be furnished on request.

For panels with both sides less than or equal to 48",
order EM-4S Cutting Service.

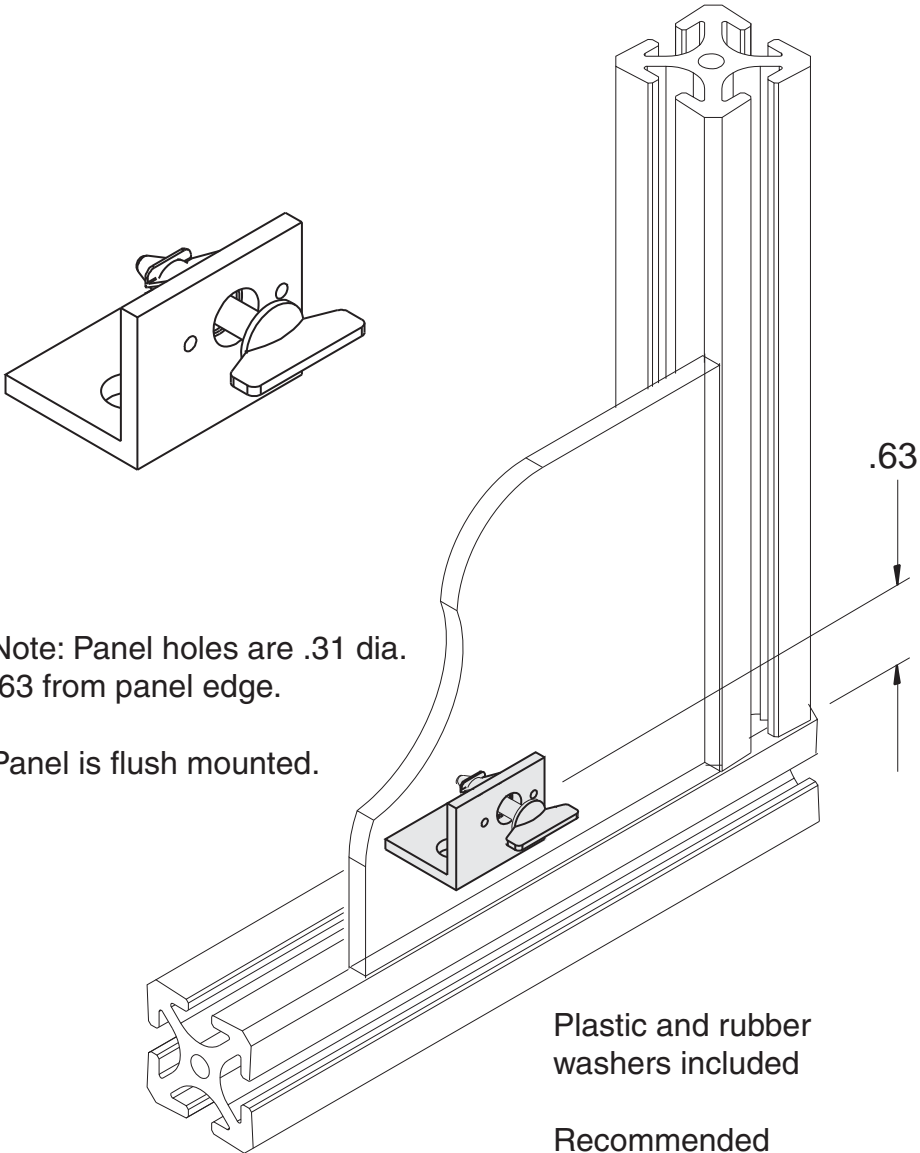
For panels with any side larger than 48",
order EM-4L cutting service.

1/4 Turn Panel Bracket



EB-88A	.235 Thick Panel
EB-88B	.220 Thick Panel
EB-88C	.170 Thick Panel

5/16" SLOTS

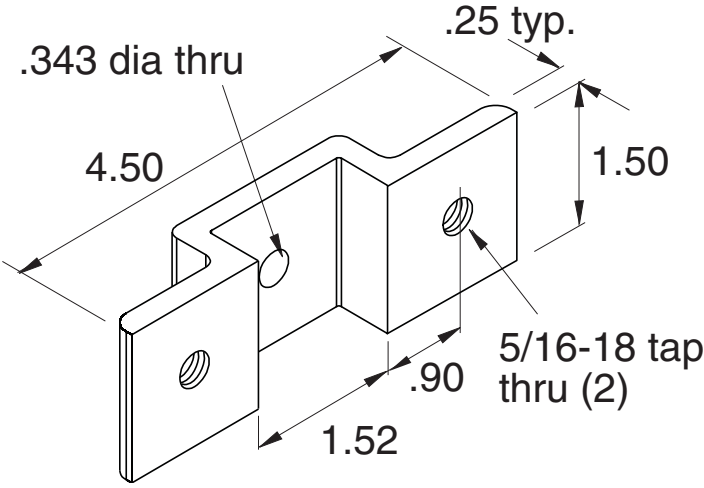


Note: Panel holes are .31 dia.
.63 from panel edge.

Panel is flush mounted.

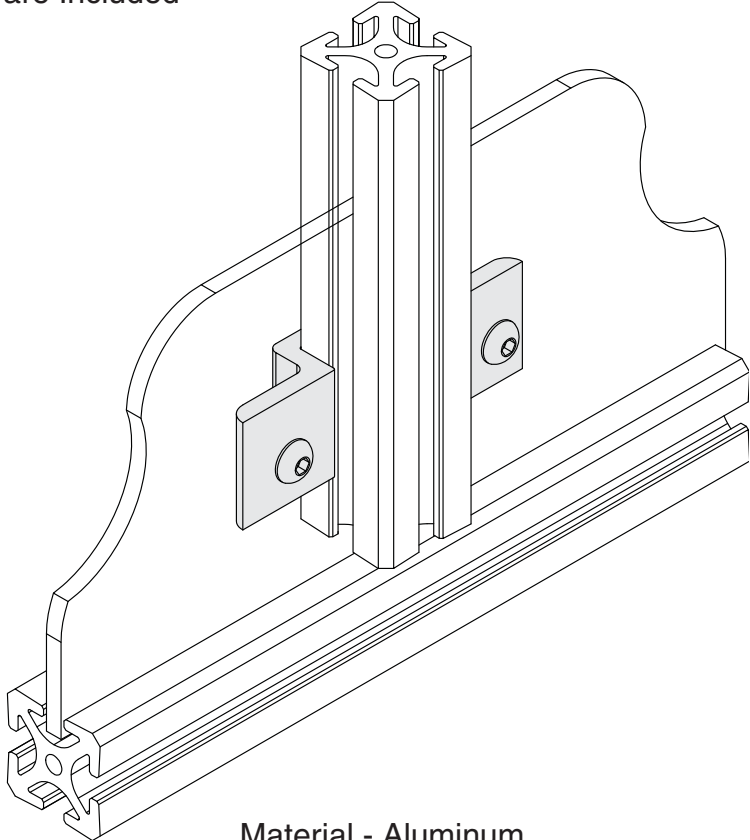
Plastic and rubber
washers included

- Recommended
Hardware
- (1) EF-12-.50 BHCS
 - (1) EF-1 T-nut or
 - (1) EF-2 T-nut



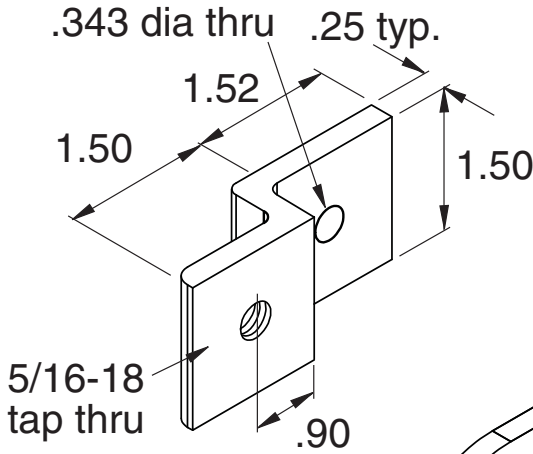
5/16" SLOTS

Hardware Included



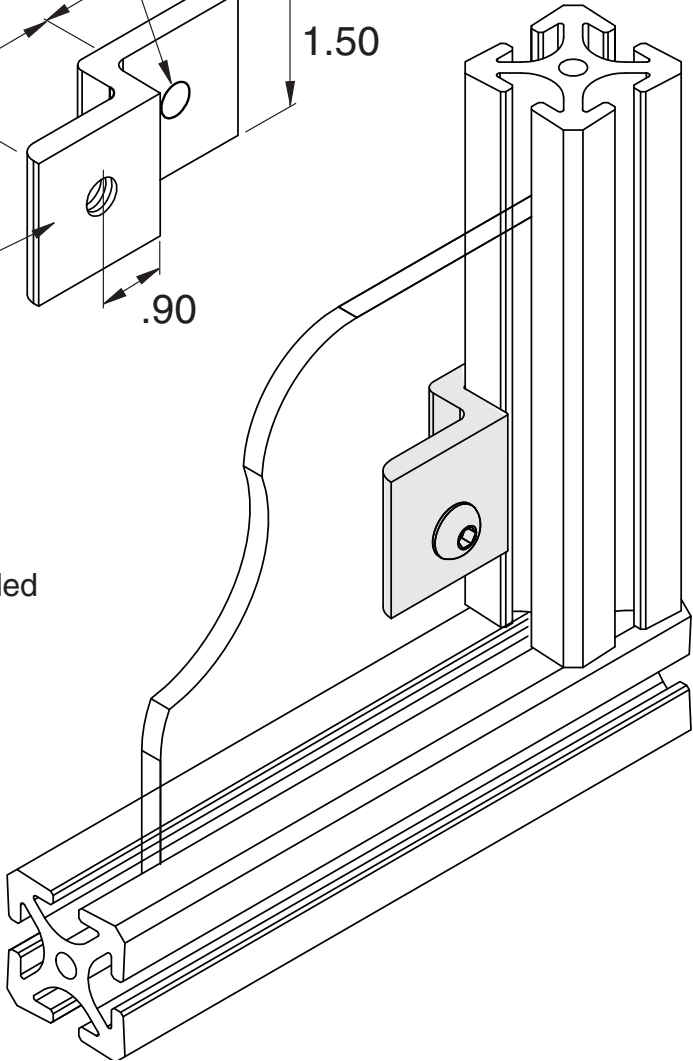
Material - Aluminum
Finish - Clear Anodize

EB-62

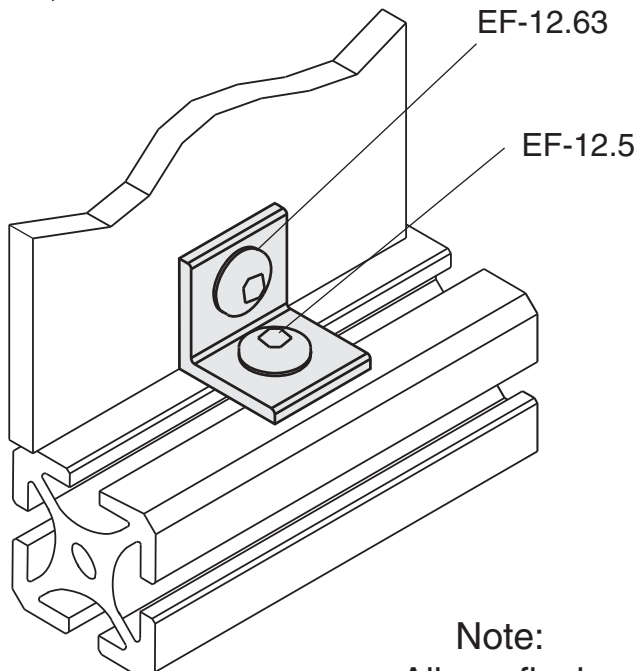
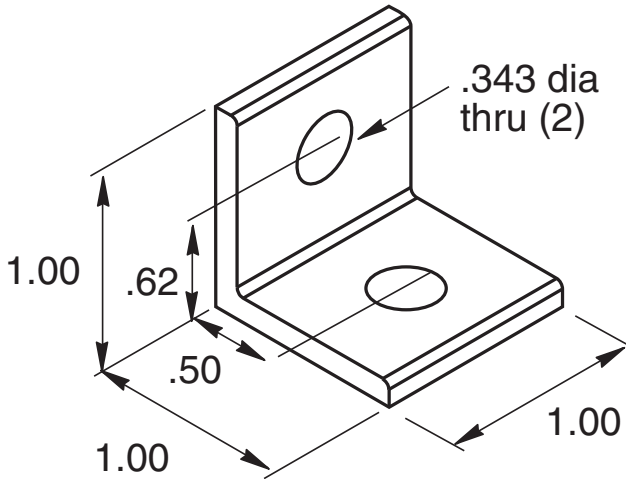


5/16" SLOTS

Hardware Included



Material - Aluminum
Finish - Clear Anodize



5/16" SLOTS

**Recommended
Hardware**

- (1) EF-12-.50 BHCS
- (1) EF-12-.63 BHCS
- (2) EF-2 T-nut

Note:
Allows flush
mount of panel

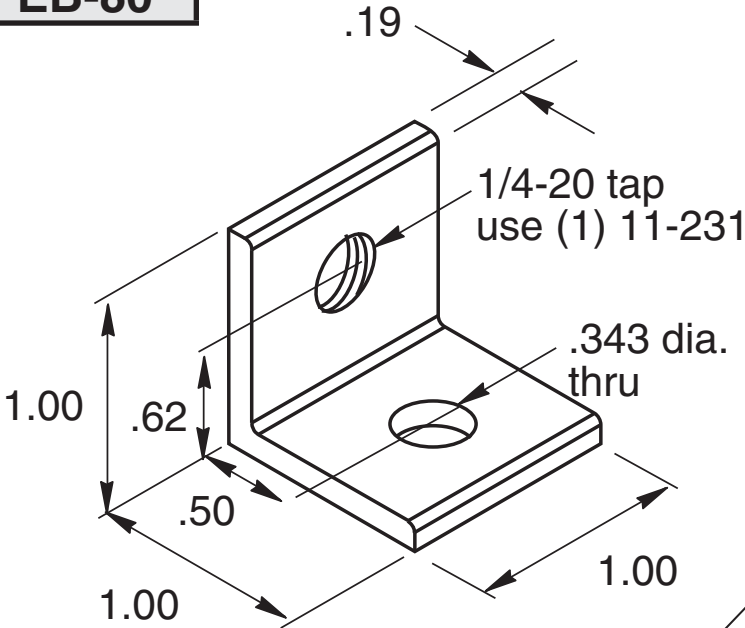
**Material - Aluminum
Finish - Clear Anodize**

Panel Mounting Angle

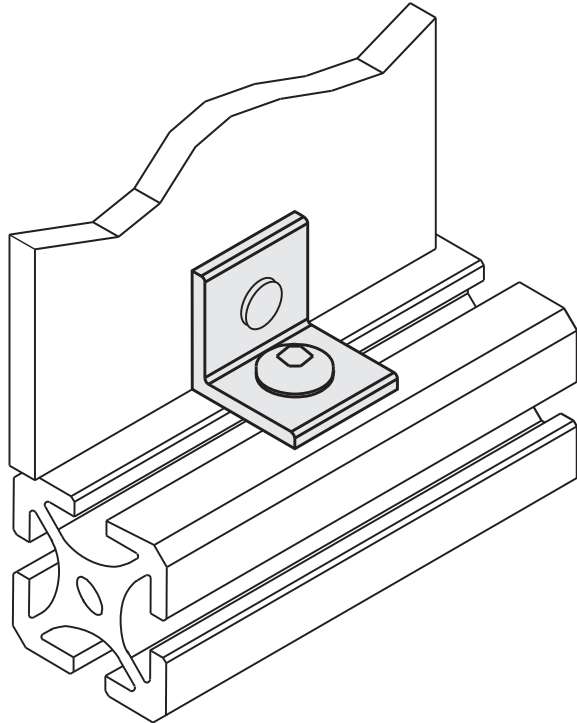


EB-80

5/16" SLOTS

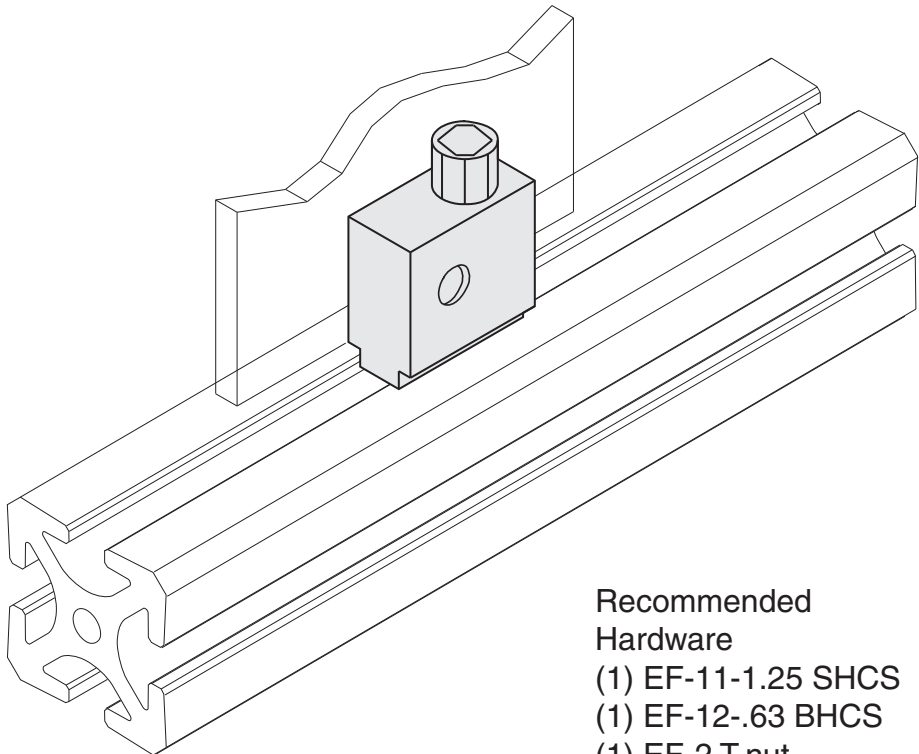
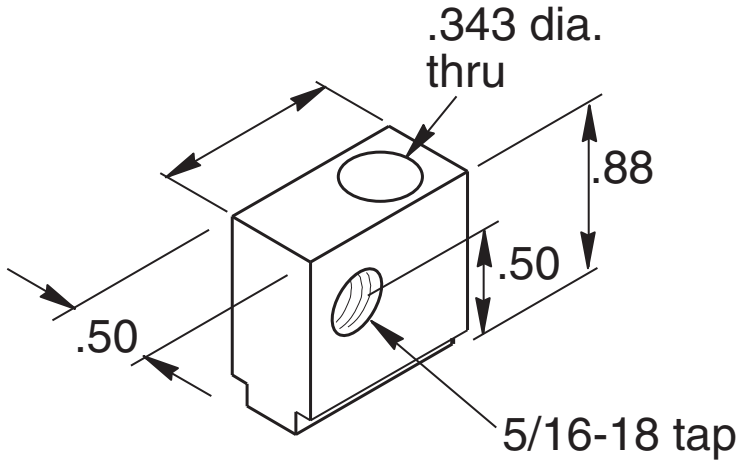


Note:
Allows flush
mount of panel



- Recommended
Hardware
- (1) 11-231 BHCS
 - (1) EF-12-.63 BHCS
 - (1) EF-2 T-nut

Material - Aluminum
Finish - Clear Anodize

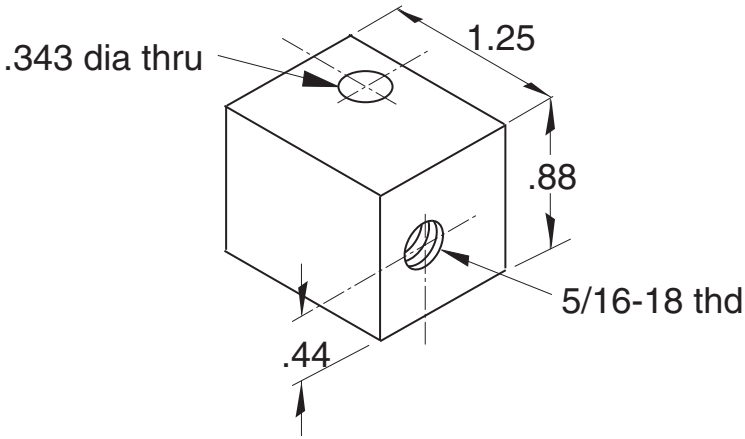


Recommended
Hardware
(1) EF-11-1.25 SHCS
(1) EF-12-.63 BHCS
(1) EF-2 T-nut

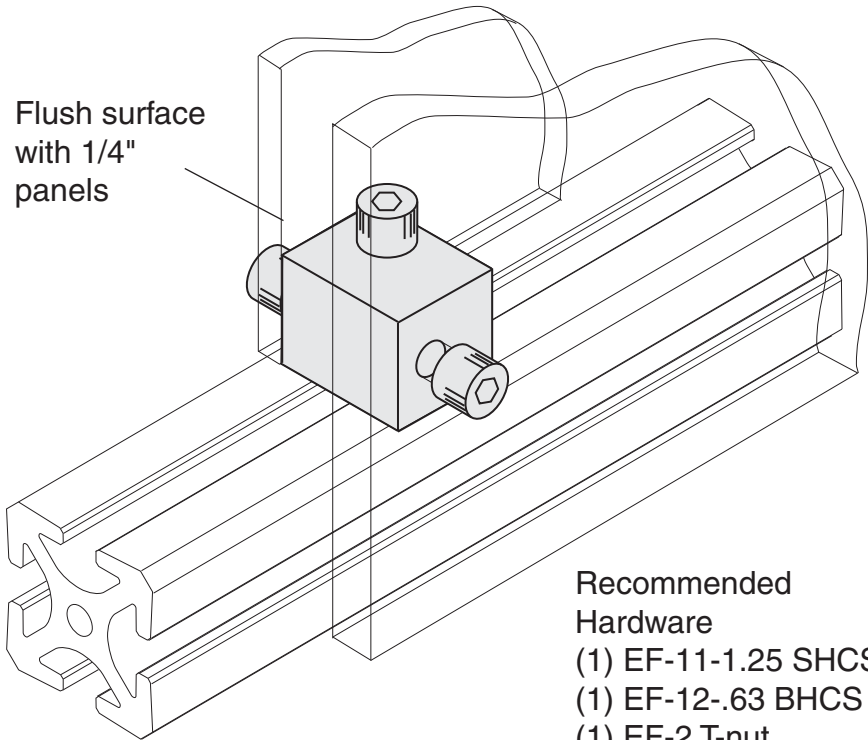
Material - Aluminum
Finish - Clear Anodize

EF-25B

5/16" SLOTS

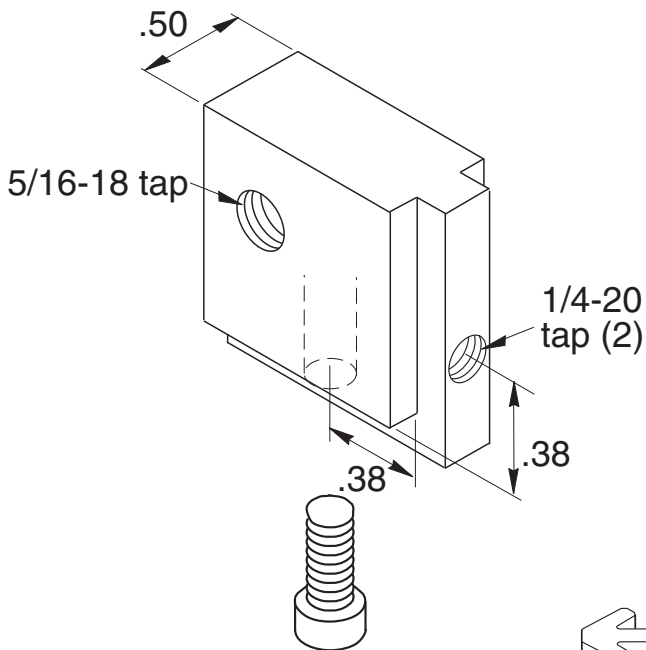


Flush surface
with 1/4"
panels



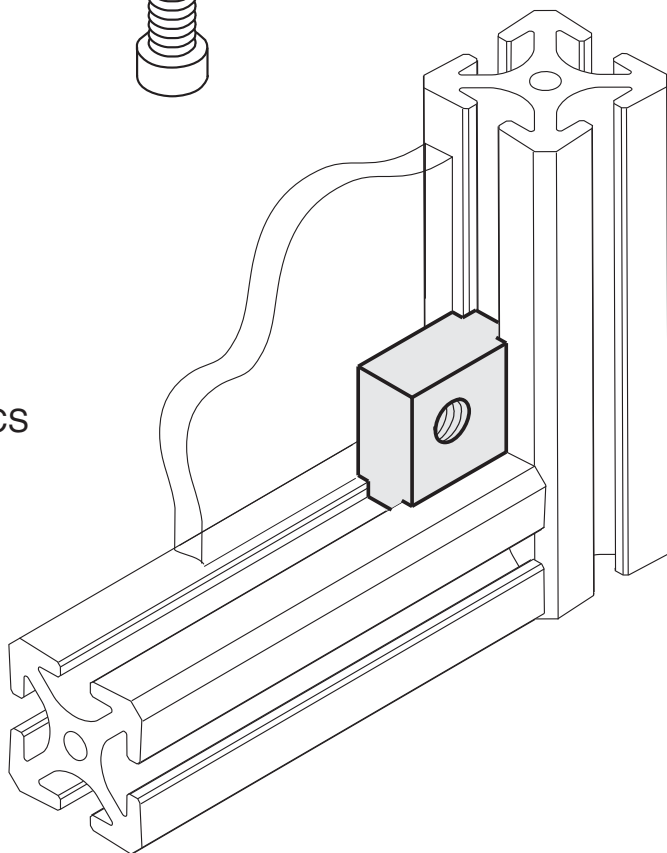
- Recommended
Hardware
- (1) EF-11-1.25 SHCS
 - (1) EF-12-.63 BHCS
 - (1) EF-2 T-nut

Material - Aluminum
Finish - Clear Anodize



5/16" SLOTS

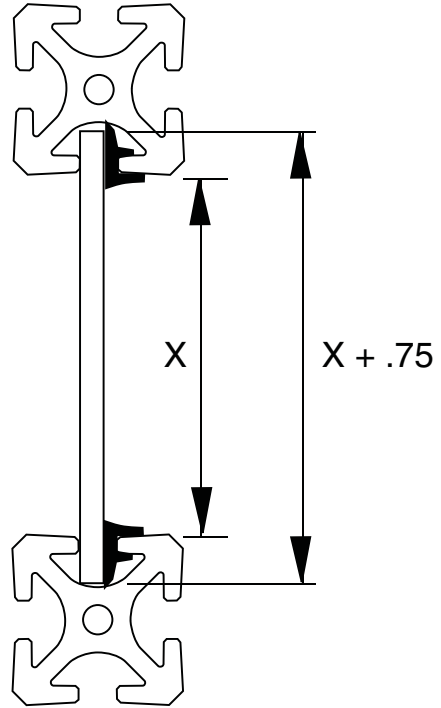
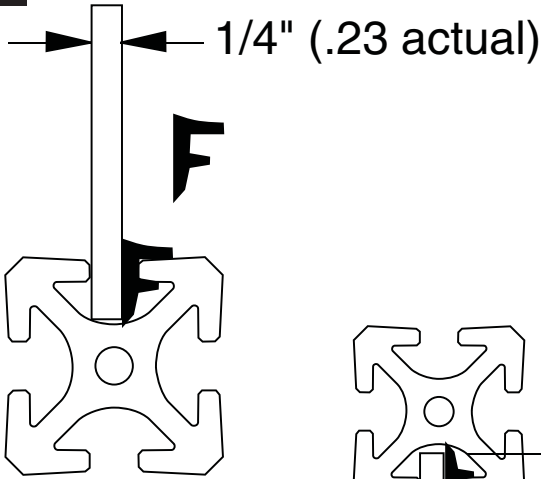
Recommended
Hardware
(2) 11-225 SHCS
(1) EF-12-.63 BHCS



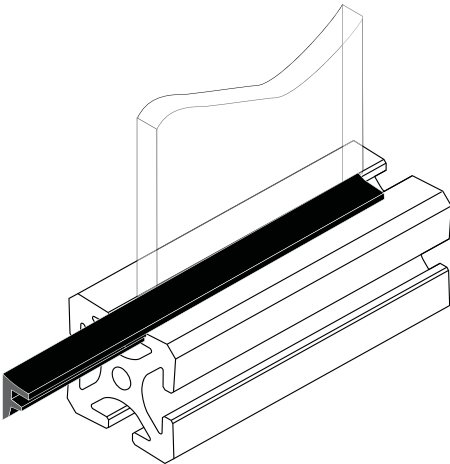
**Material - Aluminum
Finish - Clear Anodize**

EB-40

5/16" SLOTS



Cut panel to X + .75"

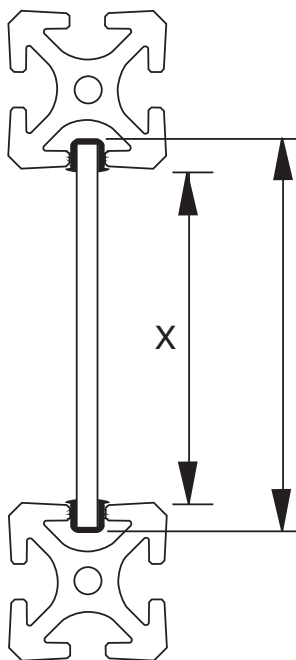
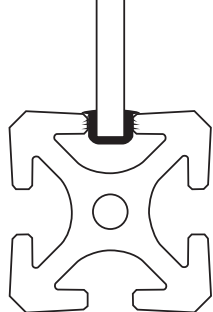


Note: insert gasket after panel is installed
in 5/16" wide slot profiles

Material - Flexible PVC (Black)

Slip Fit	EB-40A
Interference Fit	EB-40C

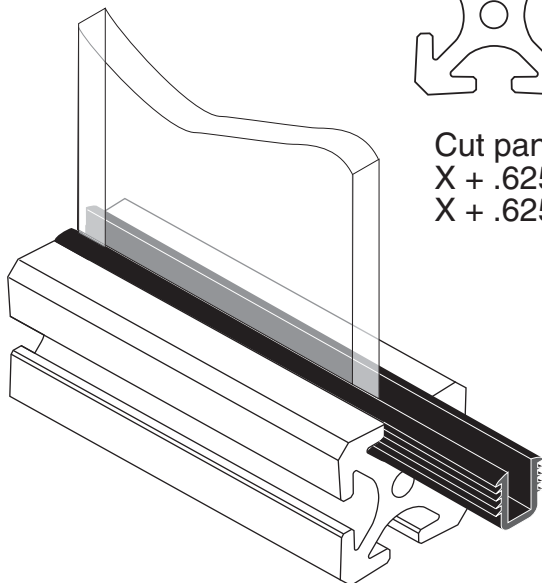
 1/4" (.235 actual)



$X + .625" = \text{EB-40A}$
 $X + .625" = \text{EB-40C}$

5/16" SLOTS

Cut panel to
 $X + .625" = \text{EB-40A}$
 $X + .625" = \text{EB-40C}$

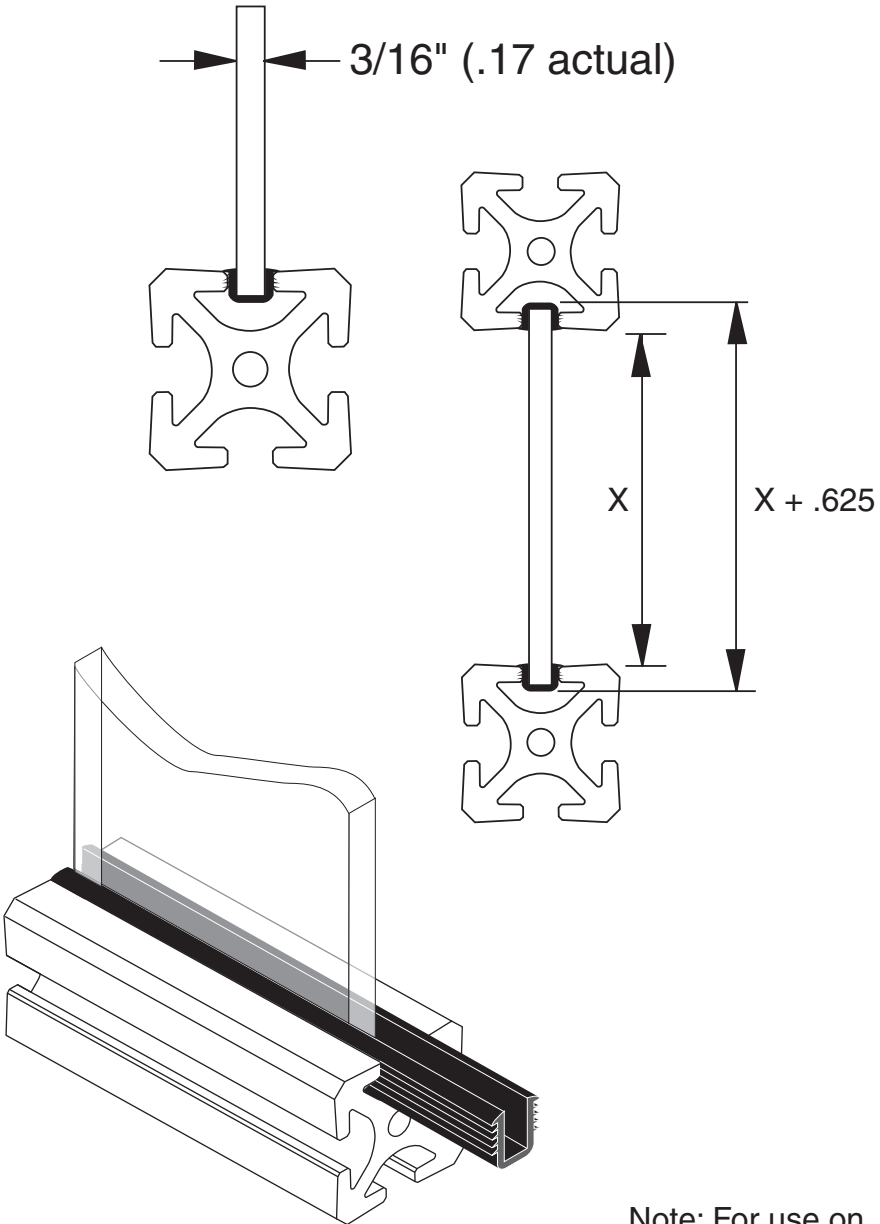


Note: For use on
 5/16" wide profile slots.

Material - Flexible PVC (Grey)

EB-40B

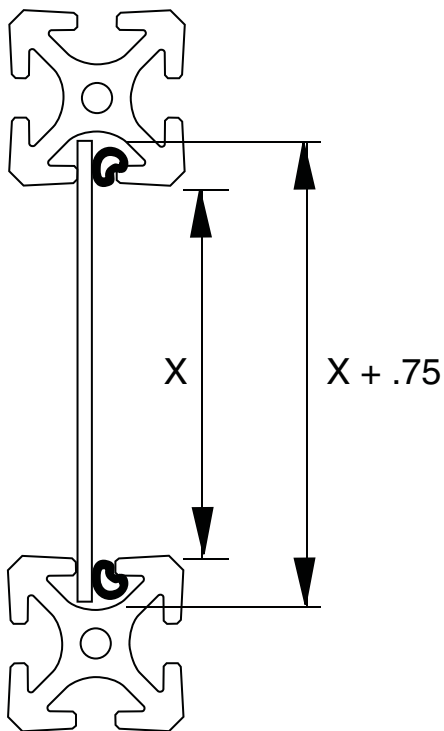
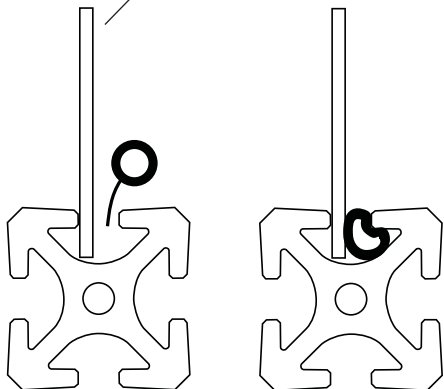
5/16" SLOTS



Note: For use on
5/16" wide profile slots.

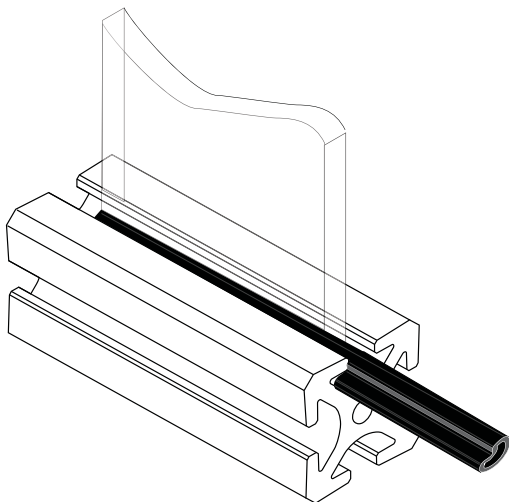
Material - Flexible PVC (Grey)

(12) gage to
(16) gage panels



5/16" SLOTS

Cut panel to $X + .75$ "



Material	Thickness
16 gage	.060
14 gage	.075
13 gage	.090
12 gage	.105

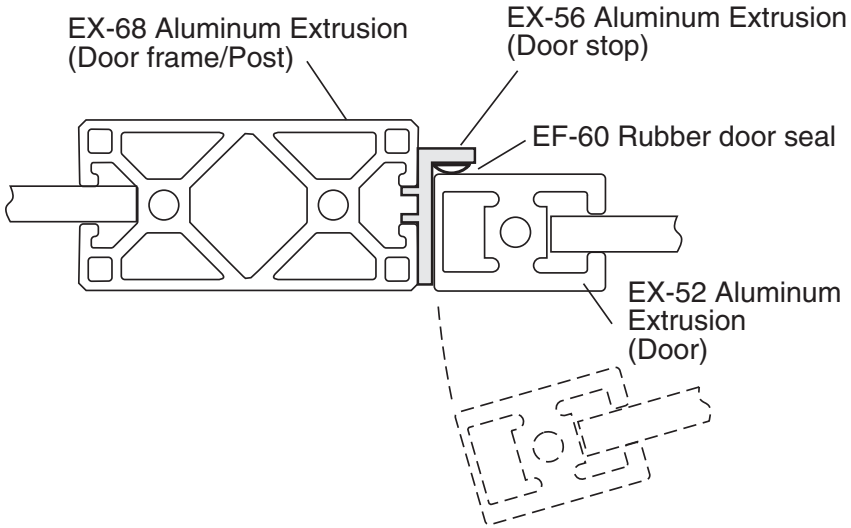
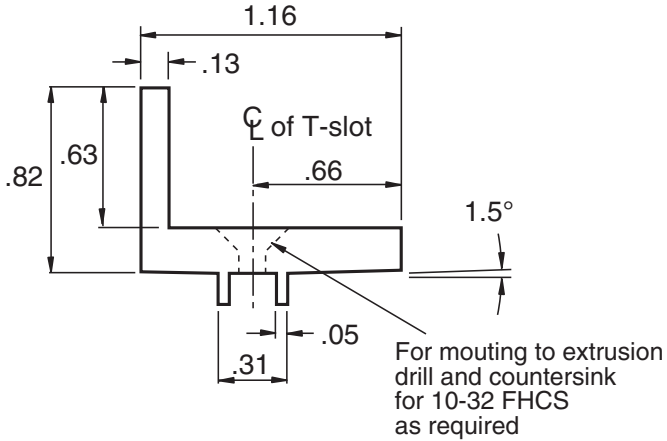
Material - Rubber (Black)

Door Stop (Light Blocking)



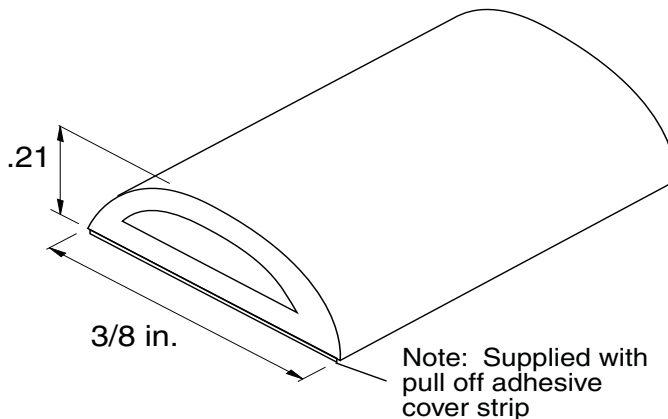
EX-56 (.385 lbs/ft)

5/16" SLOTS



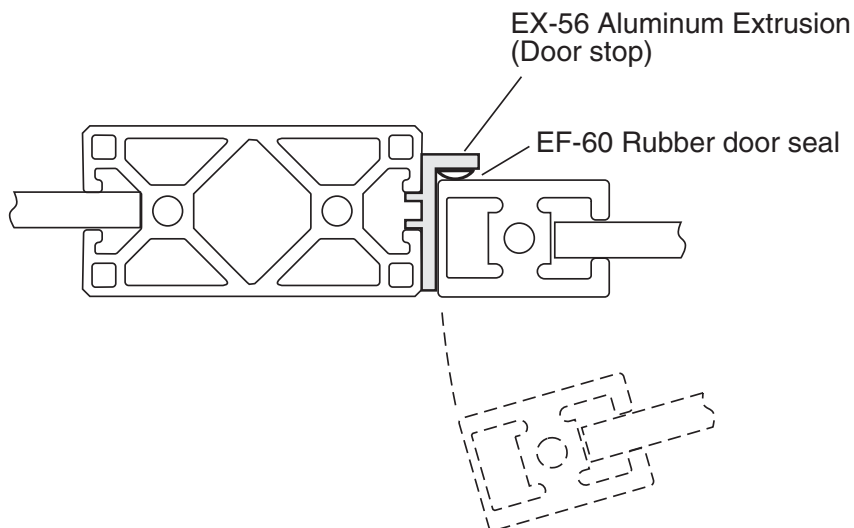
Standard size 96" and 192", sold by the inch

Material - Aluminum
Finish - Clear Anodize



Sold by the foot

Example: Door Frame Cross-Section



5/16" SLOTS

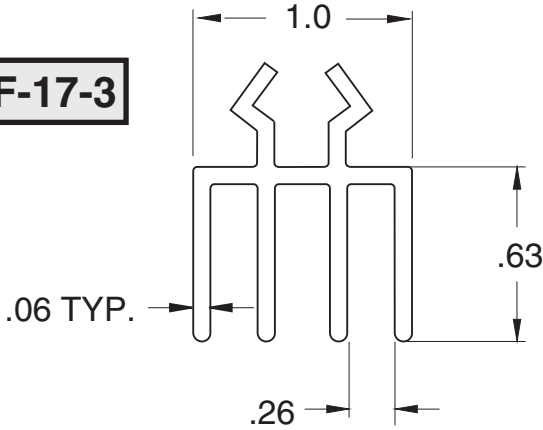
Door Slides (3 Tracks) 5/16" slots



EF-17-3	Upper Door Slide Track (1/4" panels)
EF-18-3	Lower Door Slide Track (1/4" panels)

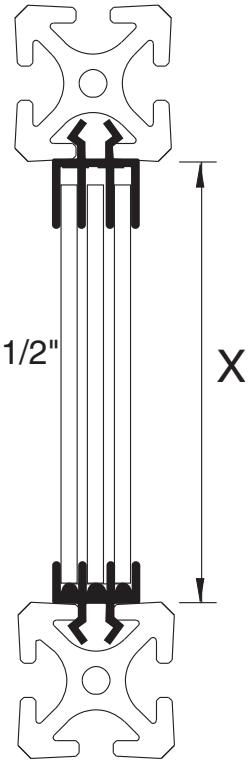
5/16" SLOTS

EF-17-3

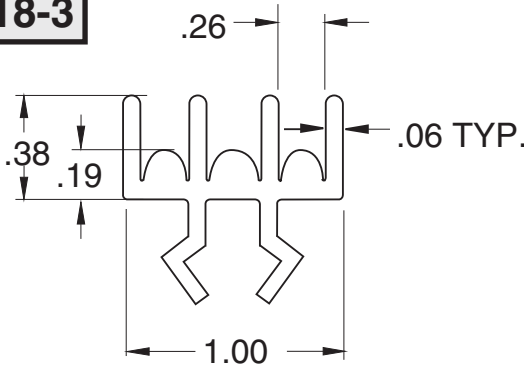


Material - Rigid PVC

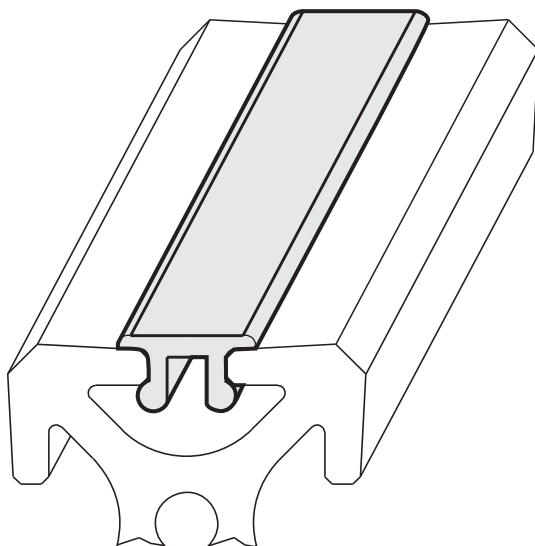
Cut Panels to X - 1/2"



EF-18-3



Material - Rigid PVC
Sold in 6 ft. lengths



Sold in 6 ft. lengths

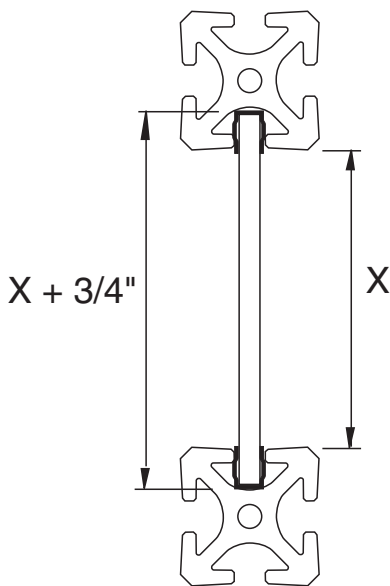
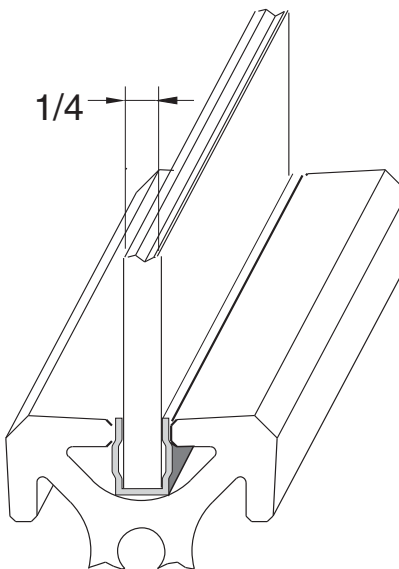
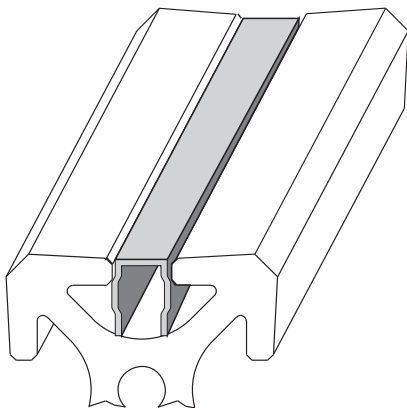
- EF-23G** Gray Rigid PVC
- EF-23B** Black Rigid PVC
- EF-23Y** Yellow Rigid PVC
- EF-23A** Clear Anodized Aluminum
- EF-23SO** Safety Orange Rigid PVC

T-slot Cover or Panel Gasket



EF-45

5/16" SLOTS



Note:
T-slot cover rests below surface of extrusion - can pass under brackets.

Cut panel to $X + .75''$

- EF-45B** Black
- EF-45Y** Yellow
- EF-45G** Grey
- EF-45SO** Safety Orange

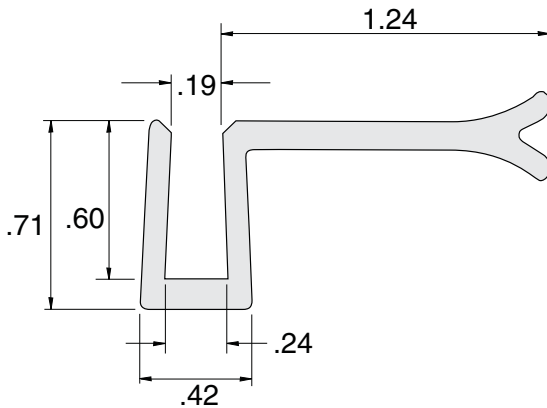
Material - Rigid PVC

Stiffener w/handle (.343 lb/ft)

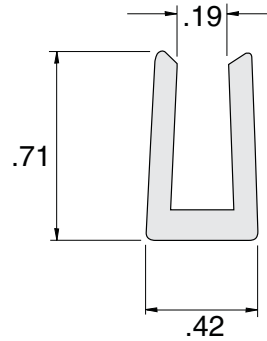
EF-140

Stiffener w/o handle (.173 lb/ft)

EF-141



EF-140



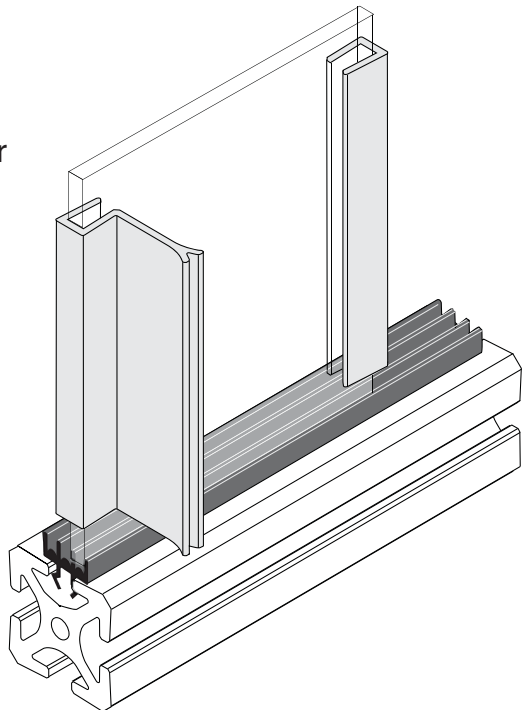
EF-141

5/16" SLOTS

Stocked in 144" lengths
Sold by the inch

Note: Must use 1/4" Lexan for both EF-140 & EF-141

Note: can be used for swinging, slide and vertical lift doors.



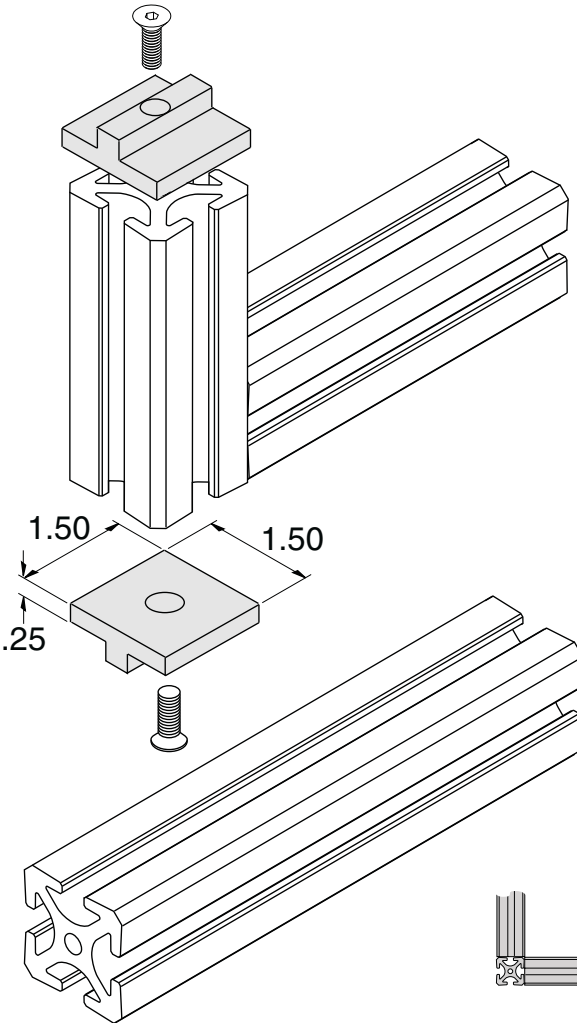
**Material - Aluminum
Finish - Clear Anodize**

Bi-fold Door Pad

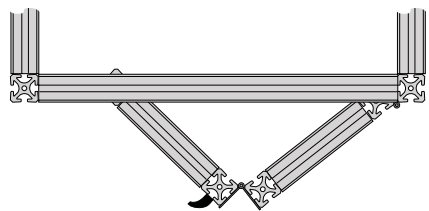


EF-110 use on 1.5 x 1.5 sq. extrusions with 5/16 wide slots

5/16" SLOTS



Hardware Included
Material - DELRIN

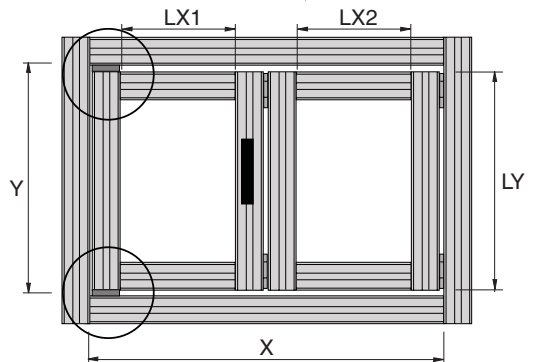


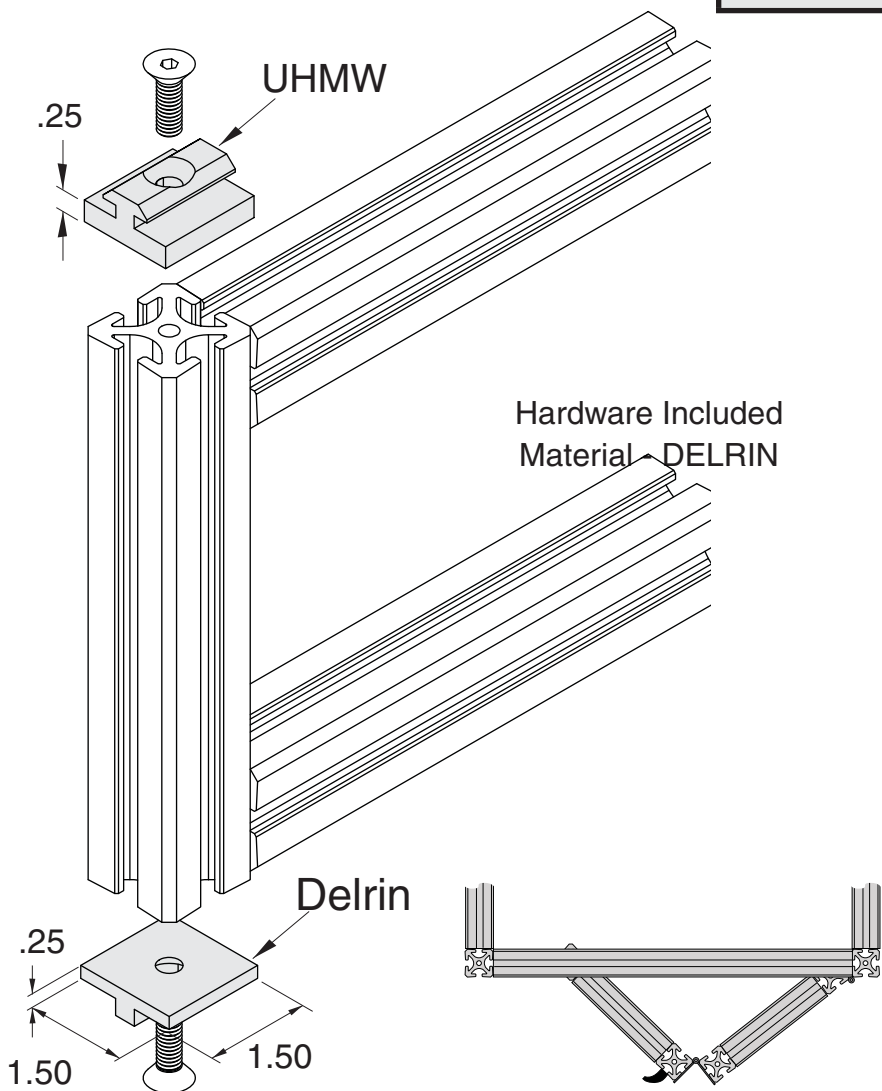
X = width of door opening
Y = height of door opening

$$LX1 = \frac{(X-6.75)}{2} + .9375$$

$$LX2 = \frac{(X-6.75)}{2} - .9375$$

$$LY = Y - .5625$$





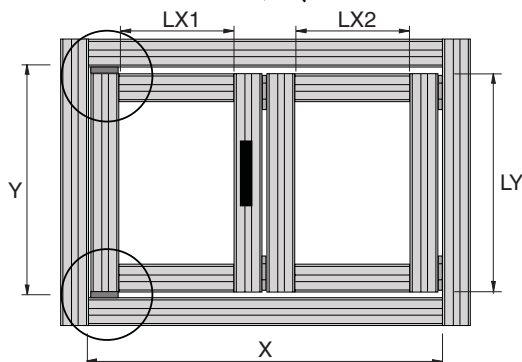
5/16" SLOTS

X = width of door opening
Y = height of door opening

$$LX1 = \frac{(X-6.75)}{2} + .9375$$

$$LX2 = \frac{(X-6.75)}{2} - .9375$$

$$LY = Y - .5625$$



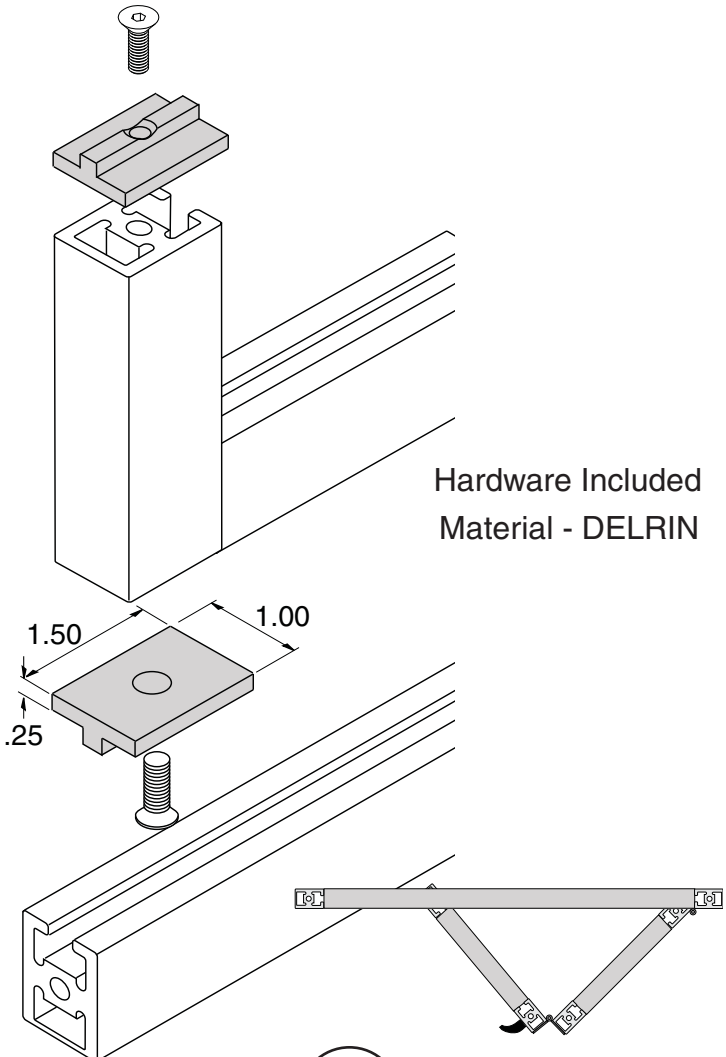
Bi-fold Door Pad



EF-115

use on EX-52 and EX-54

5/16" SLOTS



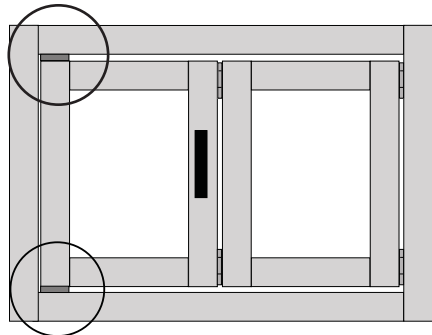
Hardware Included
Material - DELRIN

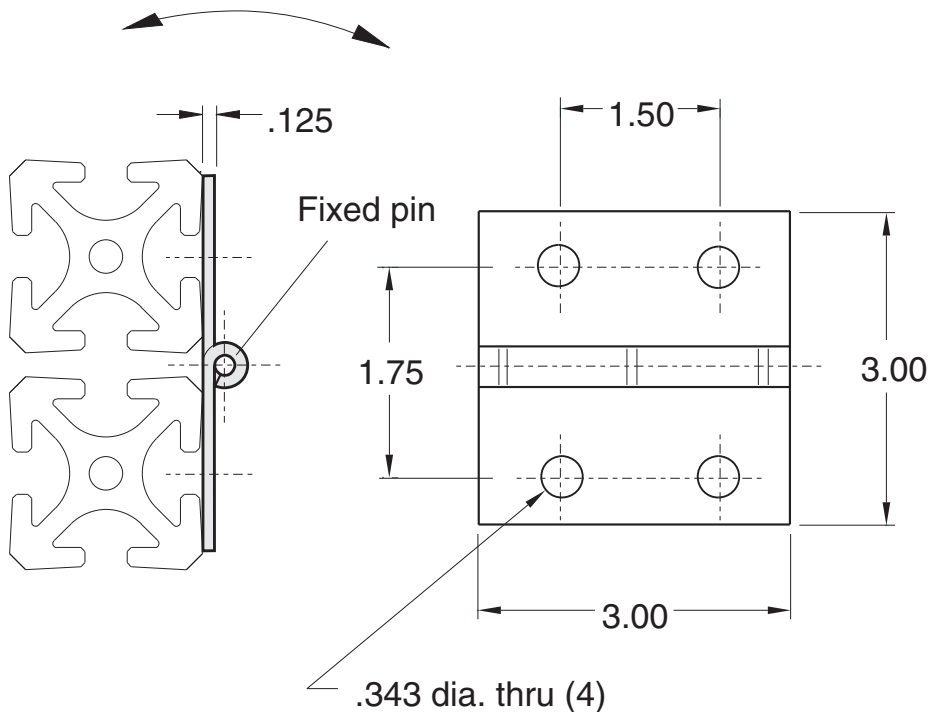
X = width of door opening
Y = height of door opening

$$LX1 = \frac{(X-6.75)}{2} + .9375$$

$$LX2 = \frac{(X-6.75)}{2} - .9375$$

$$LY = Y-.5625$$



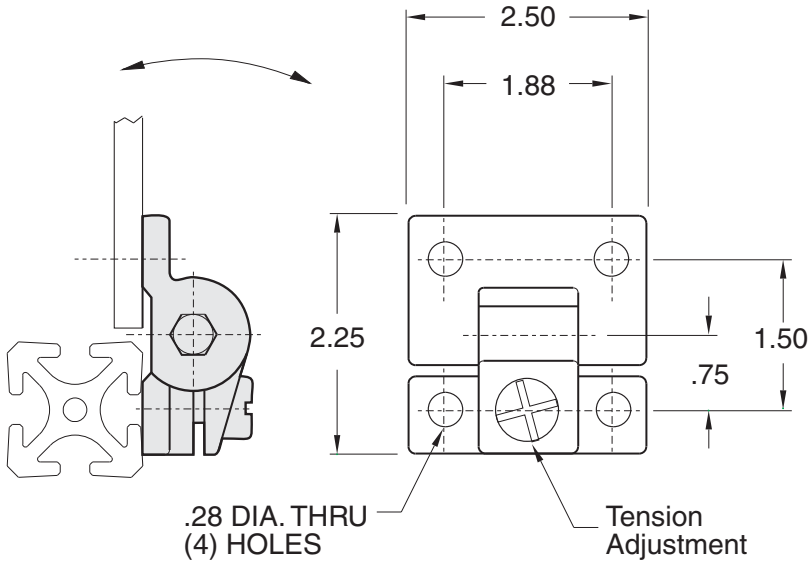


Hardware Included

Material - Aluminum
Finish - Clear Anodize

EF-20

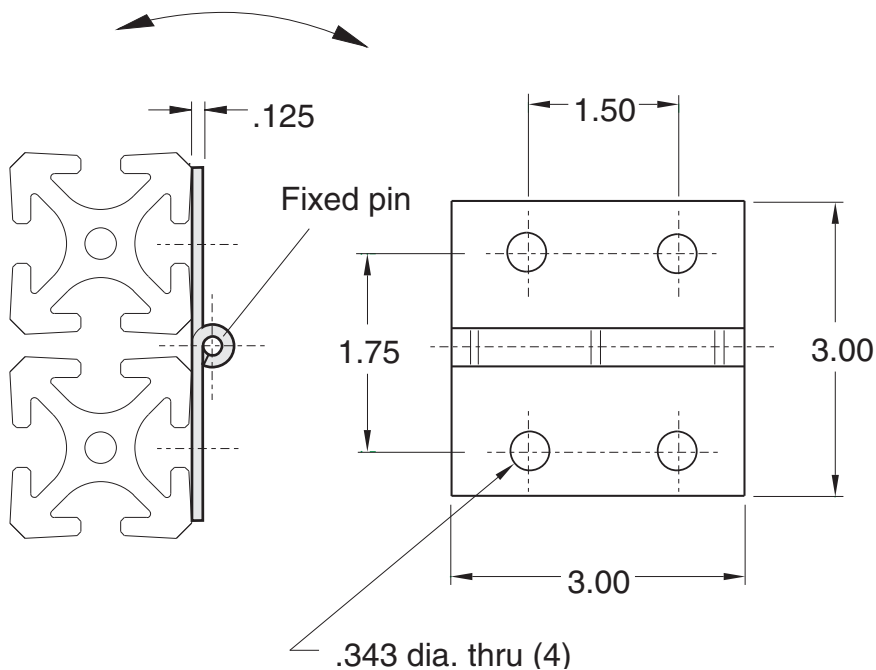
5/16" SLOTS



Hardware Included

Material - Plastic

5/16" SLOTS

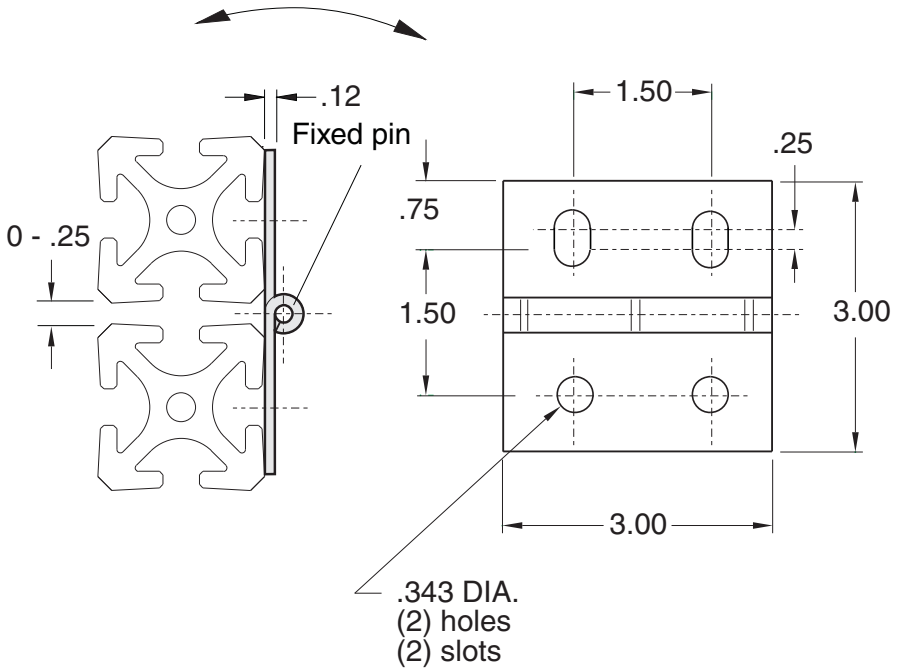


Hardware Included

Material - Steel
Finish - Black Powder Coat

EF-75

5/16" SLOTS

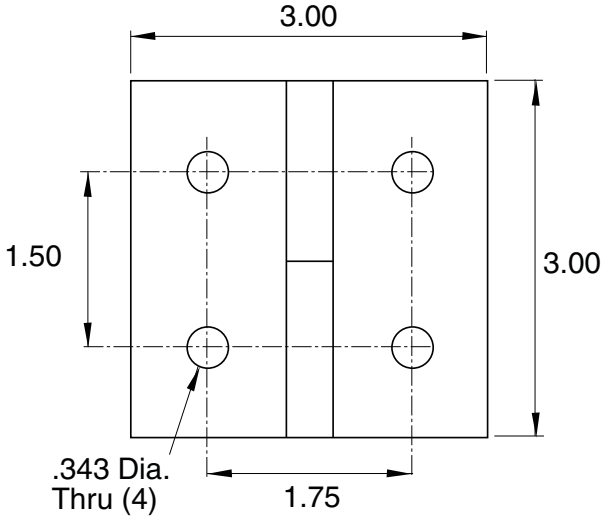


Hardware Included

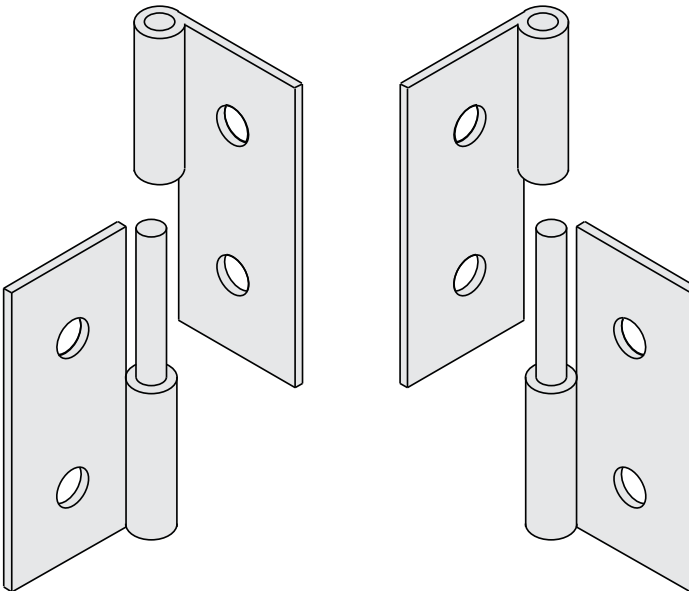
Material - Steel
Finish - Black Powder Coat

EF-21LH

EF-21RH



5/16" SLOTS



EF-21LH Left Hand

EF-21RH Right Hand

Hardware Included

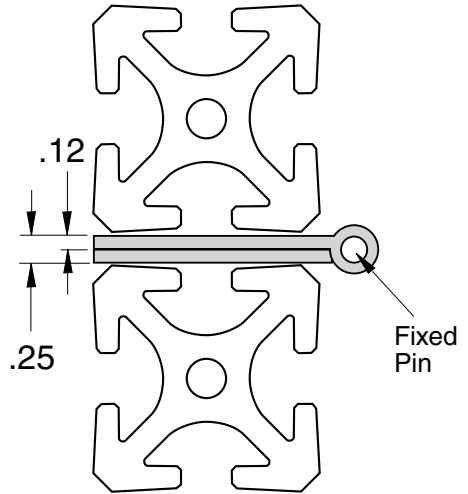
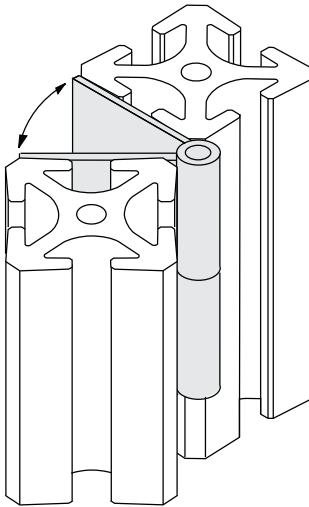
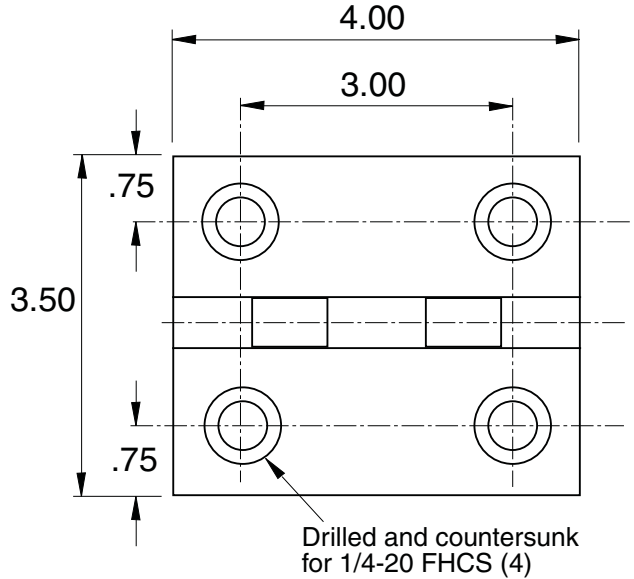
**Material - Steel
Finish - Zinc Plated**

Hidden Steel Hinge (.33" slot size)



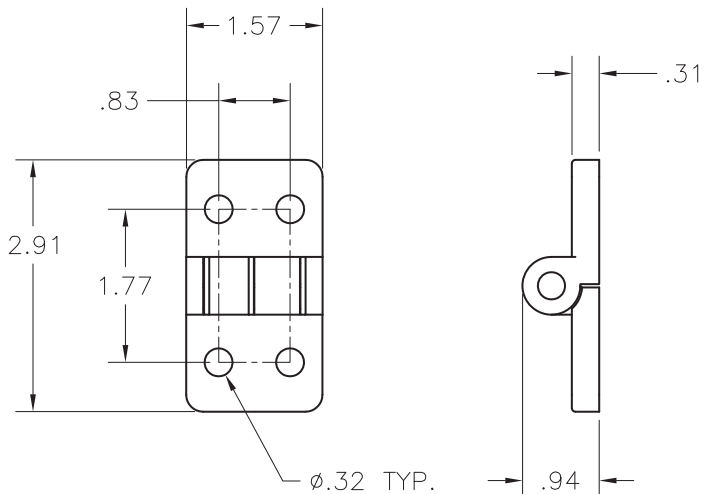
EF-70

5/16" SLOTS

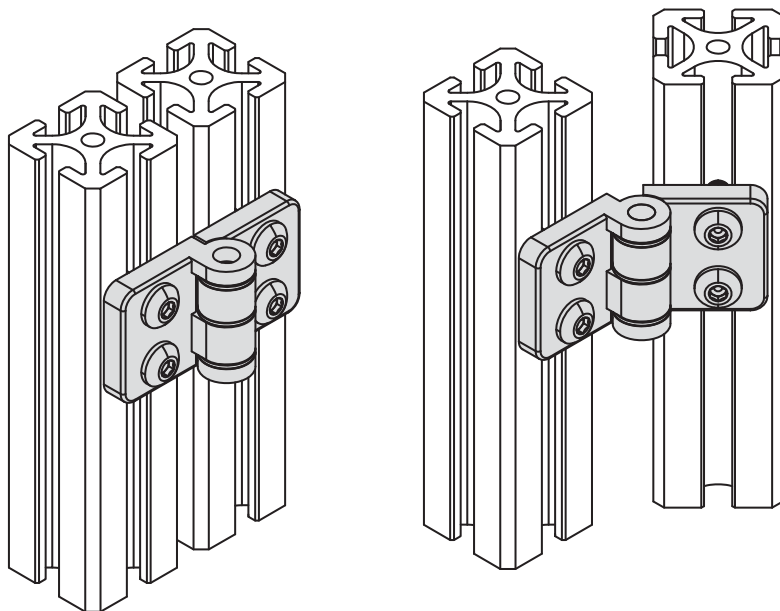


Hardware Included

Material - Steel
Finish - Black Powder Coat



5/16" SLOTS



Hardware Included

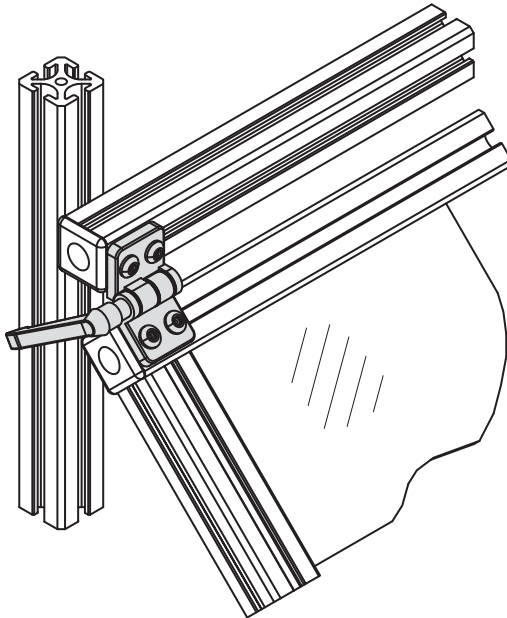
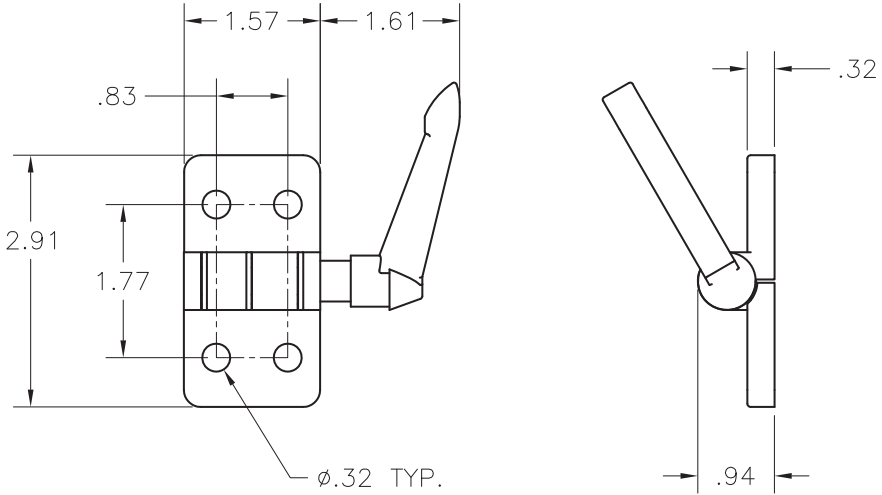
Material - Zinc Die Cast
Finish - Black Powder Coat

Die Cast Zinc Locking Hinge



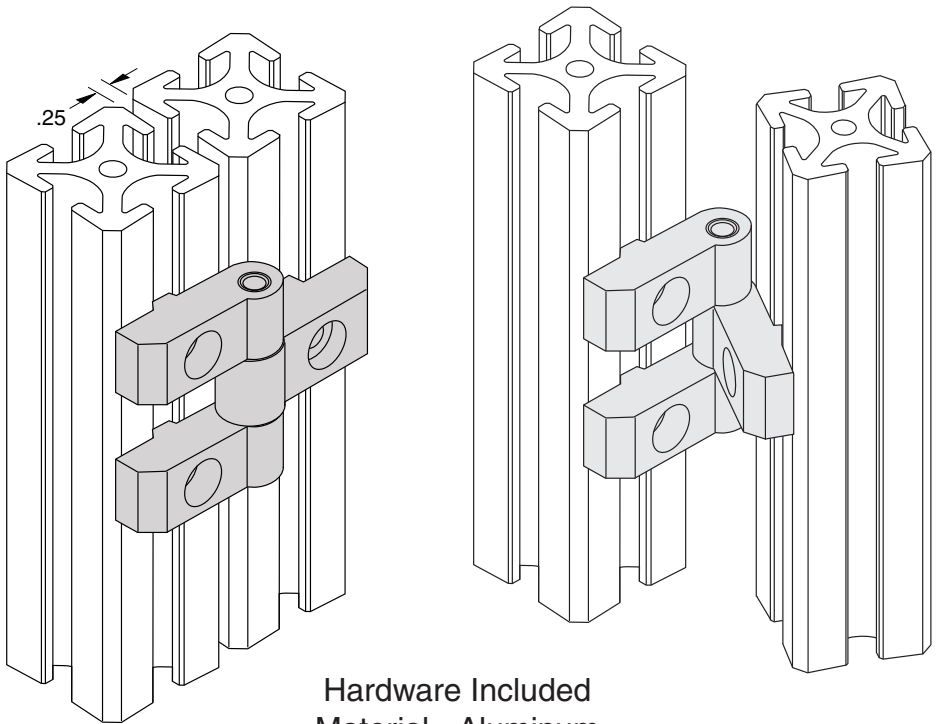
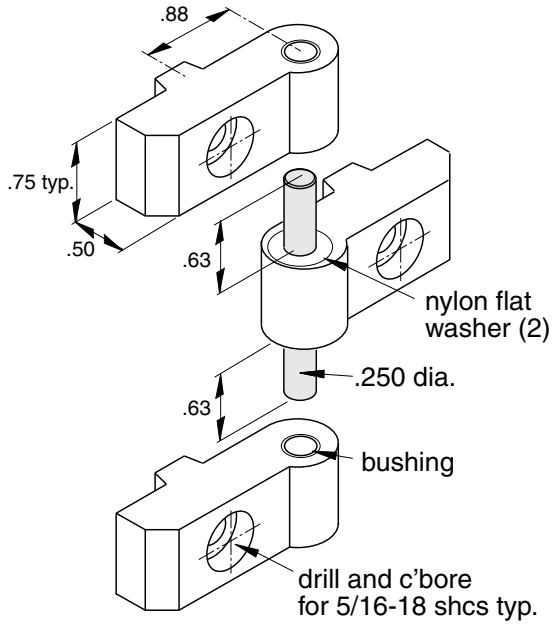
EF-74

5/16" SLOTS



Hardware Included

Material - Zinc Die Cast
Finish - Black Powder Coat



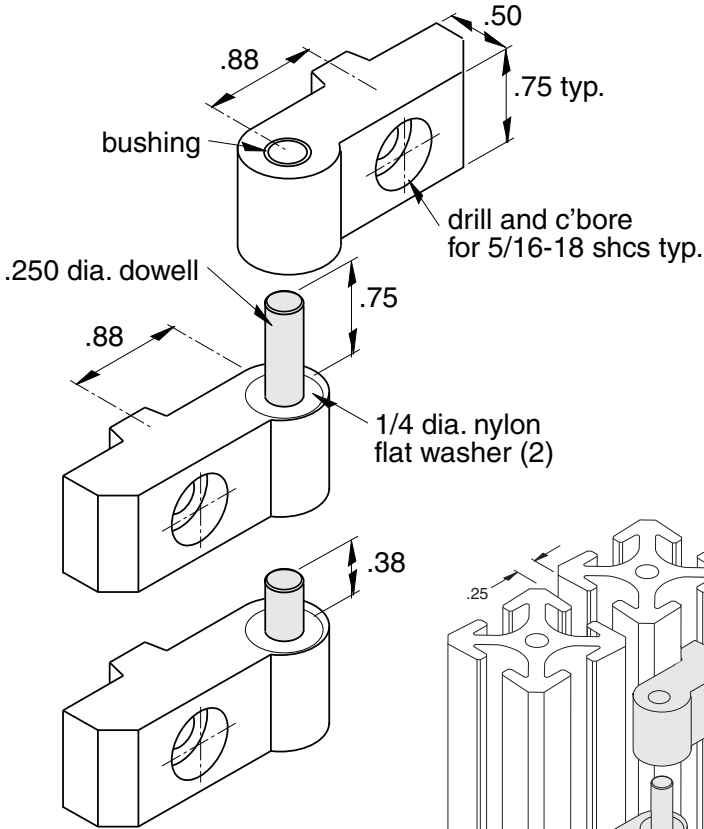
Hardware Included
Material - Aluminum
Finish - Clear Anodize

Left Hand Lift-Off Hinge - 5/16" slots



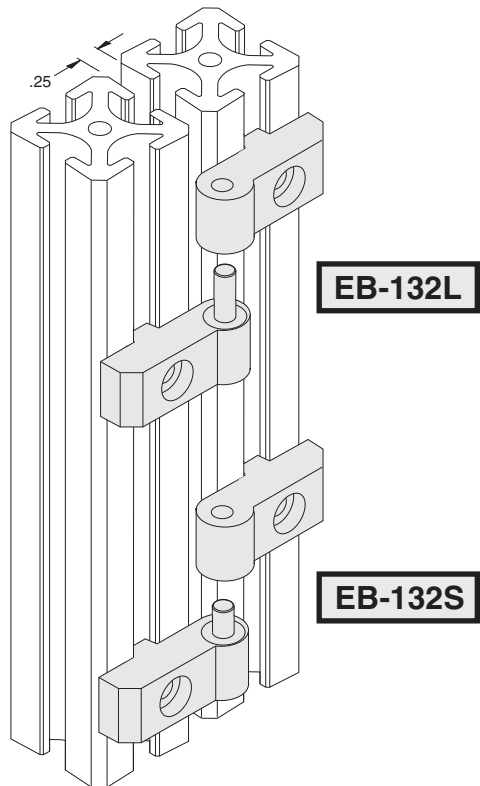
EB-132	One Set w/Long & Short Pin Assemblies
EB-132L	Long Pin Assembly Only
EB-132S	Short Pin Assembly Only

5/16" SLOTS



Hardware Included
Material - Aluminum
Finish - Clear Anodize

Note: Use short and long pin assemblies together as shown to ease lift-off and replacement of doors.



One Set w/Long & Short Pin Assemblies

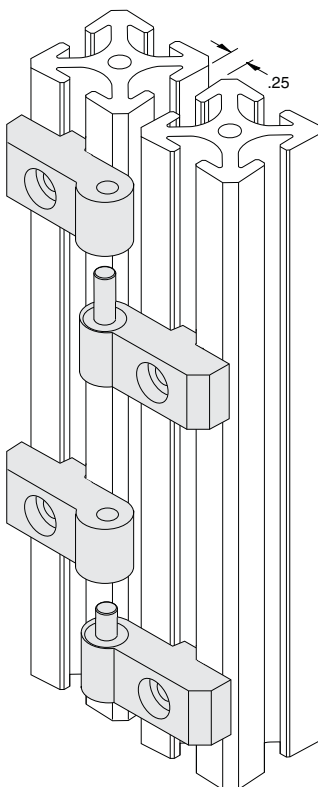
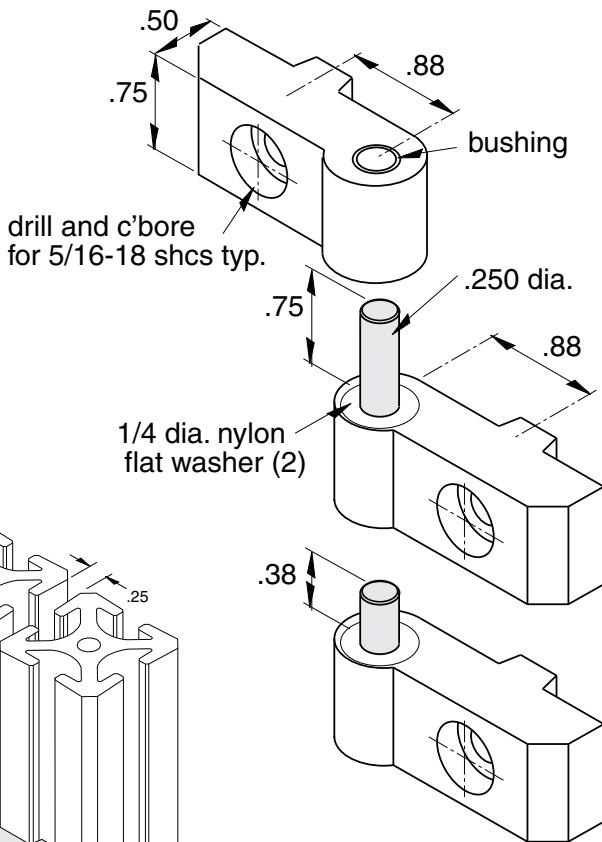
EB-133

Long Pin Assembly Only

EB-133L

Short Pin Assembly Only

EB-133S



EB-133L

EB-133S

Hardware Included
Material - Aluminum
Finish - Clear Anodize

Note: Use short and long pin assemblies together as shown to ease lift-off and replacement of doors.

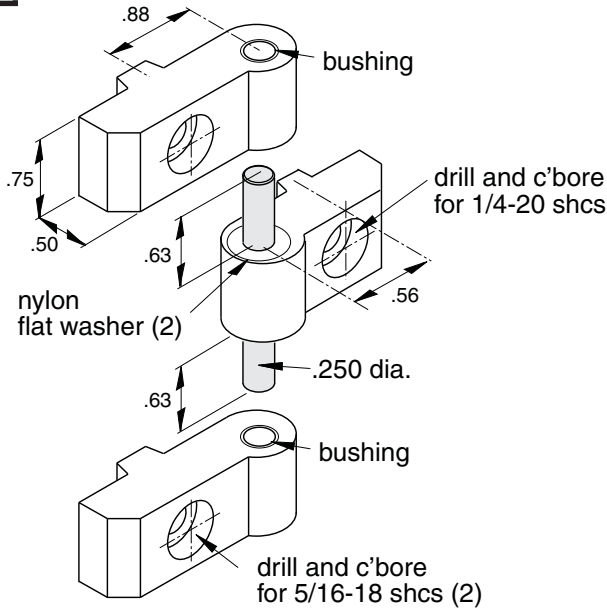
5/16" SLOTS

Heavy Duty Transition 5/16 - 1/4 slots Hinge Assembly

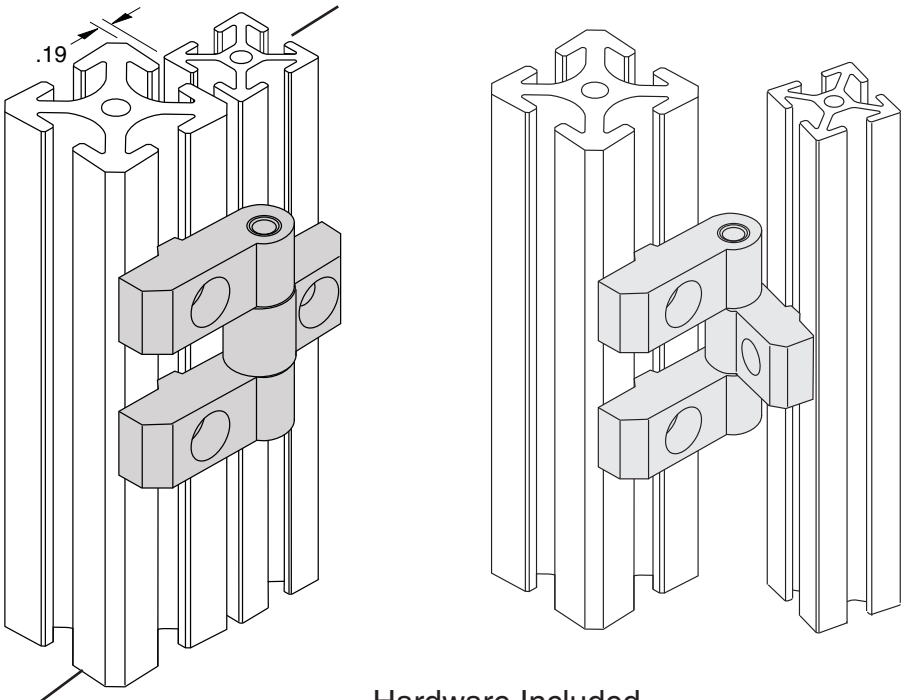


EB-140

5/16" SLOTS



EX-11



EX-1

**Hardware Included
Material - Aluminum
Finish - Clear Anodize**

One Set w/Long & Short Pin Assemblies

EB-142

Long Pin Assembly Only

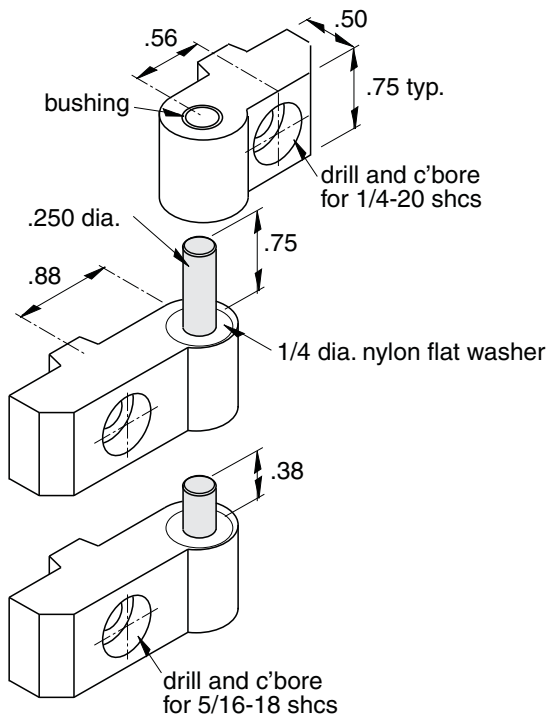
EB-142L

Short Pin Assembly Only

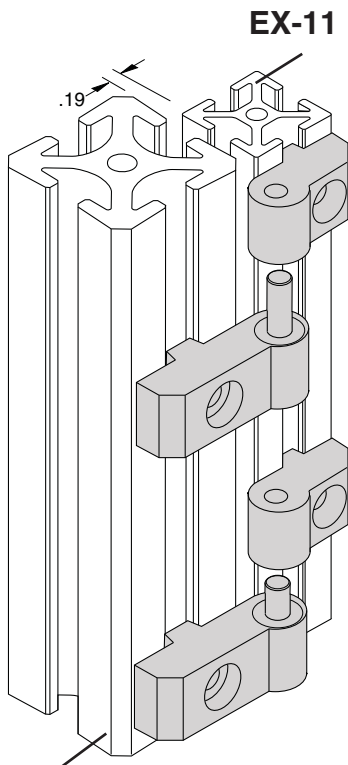
EB-142S

Hardware Included
Material - Aluminum
Finish - Clear Anodize

Note: Use short and long pin assemblies together as shown to ease lift-off and replacement of doors.



5/16" SLOTS



EB-142L

EB-142S

EX-1

Right Hand Transition Lift-Off Hinge 5/16 - 1/4 slots



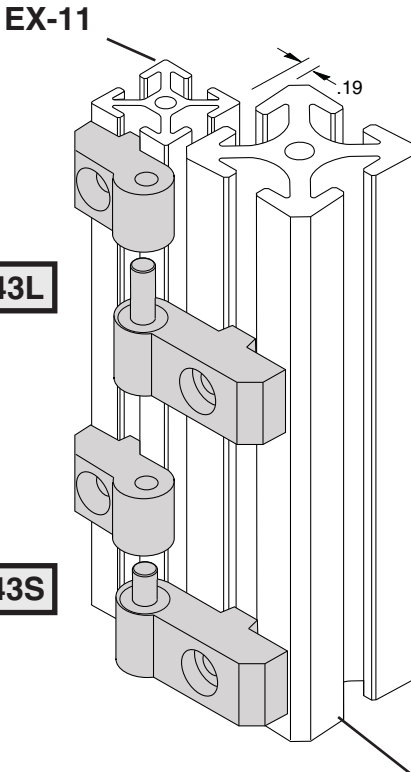
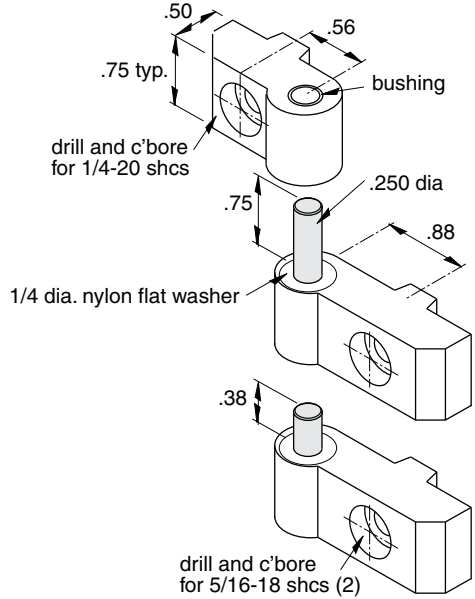
EB-143
EB-143L
EB-143S

One Set w/Long & Short Pin Assemblies
 Long Pin Assembly Only
 Short Pin Assembly Only

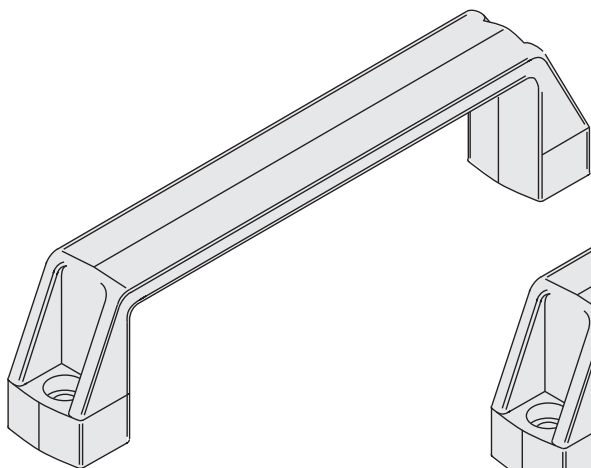
5/16" SLOTS

Hardware Included
 Material - Aluminum
 Finish - Clear Anodize

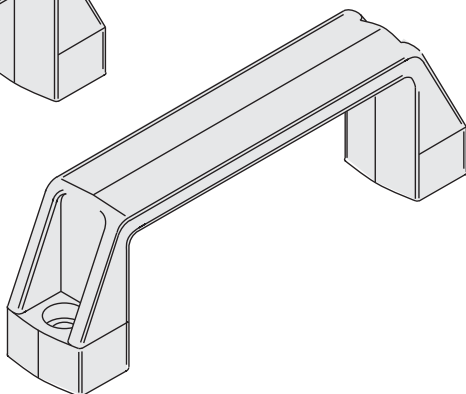
Note: Use short and long pin assemblies together as shown to ease lift-off and replacement of doors.



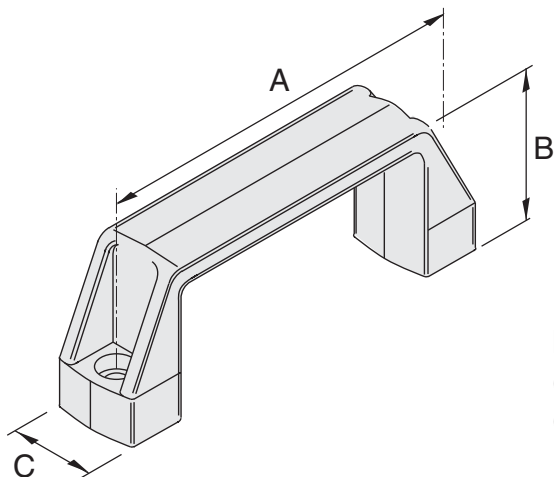
EX-1



EF-15C



EF-15B



EF-15A

Recommended
Hardware
(2) EF-11-.75 SHCS
(2) EF-2 T-nut

Material - Black Plastic

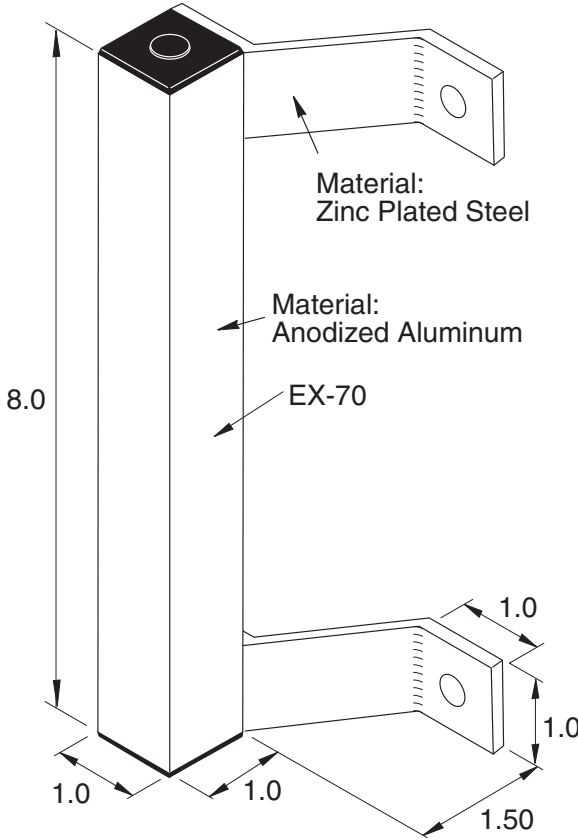
Part No.	A	B	C
EF-15A	4.61	1.61	1.06
EF-15B	5.20	1.77	1.02
EF-15C	7.05	1.97	1.10

Offset Extrusion Door Handle

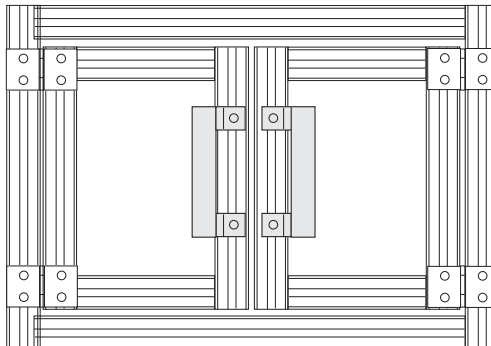
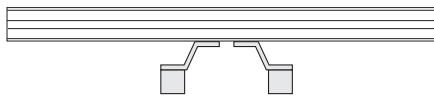


EF-48

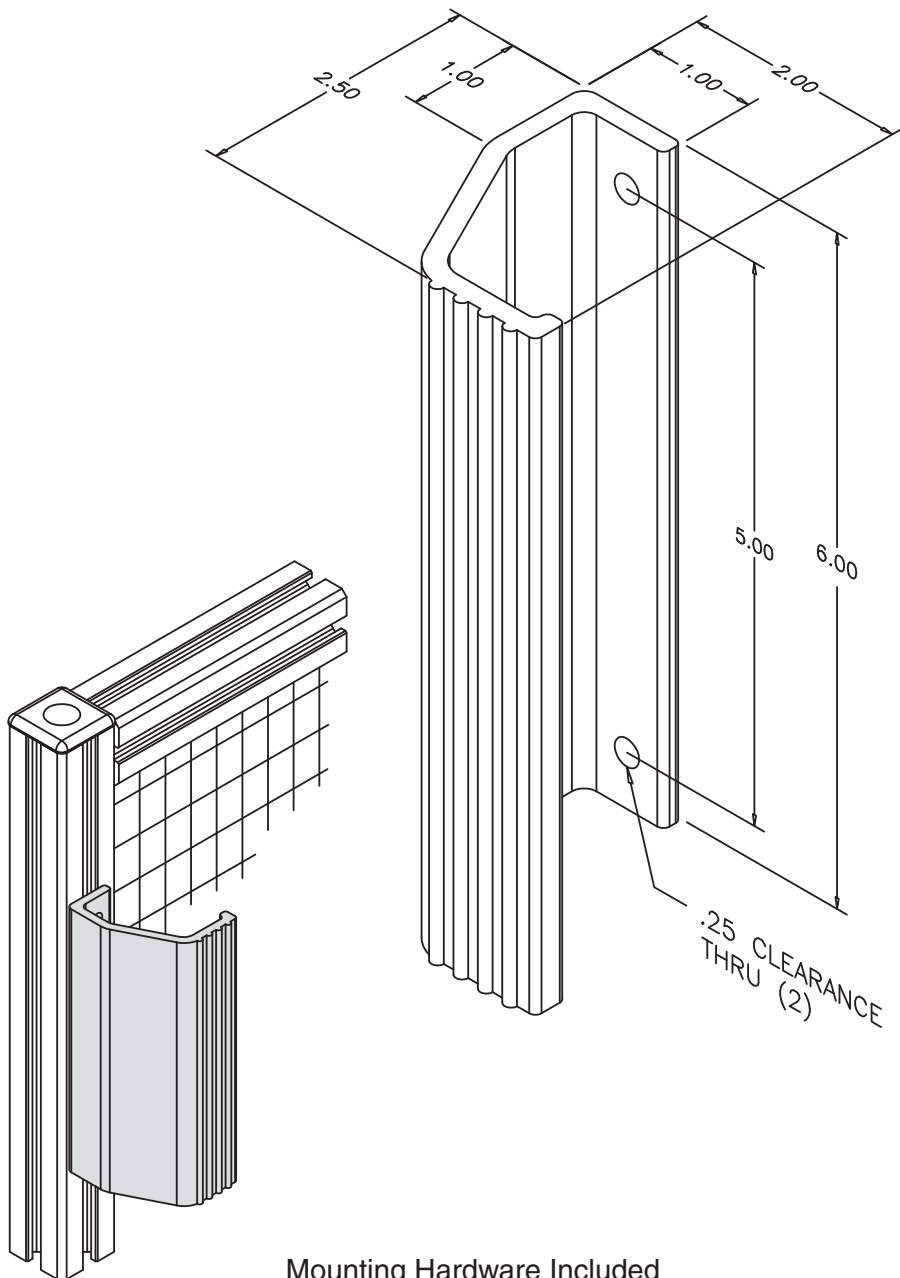
5/16" SLOTS



Hardware Included



EF-180



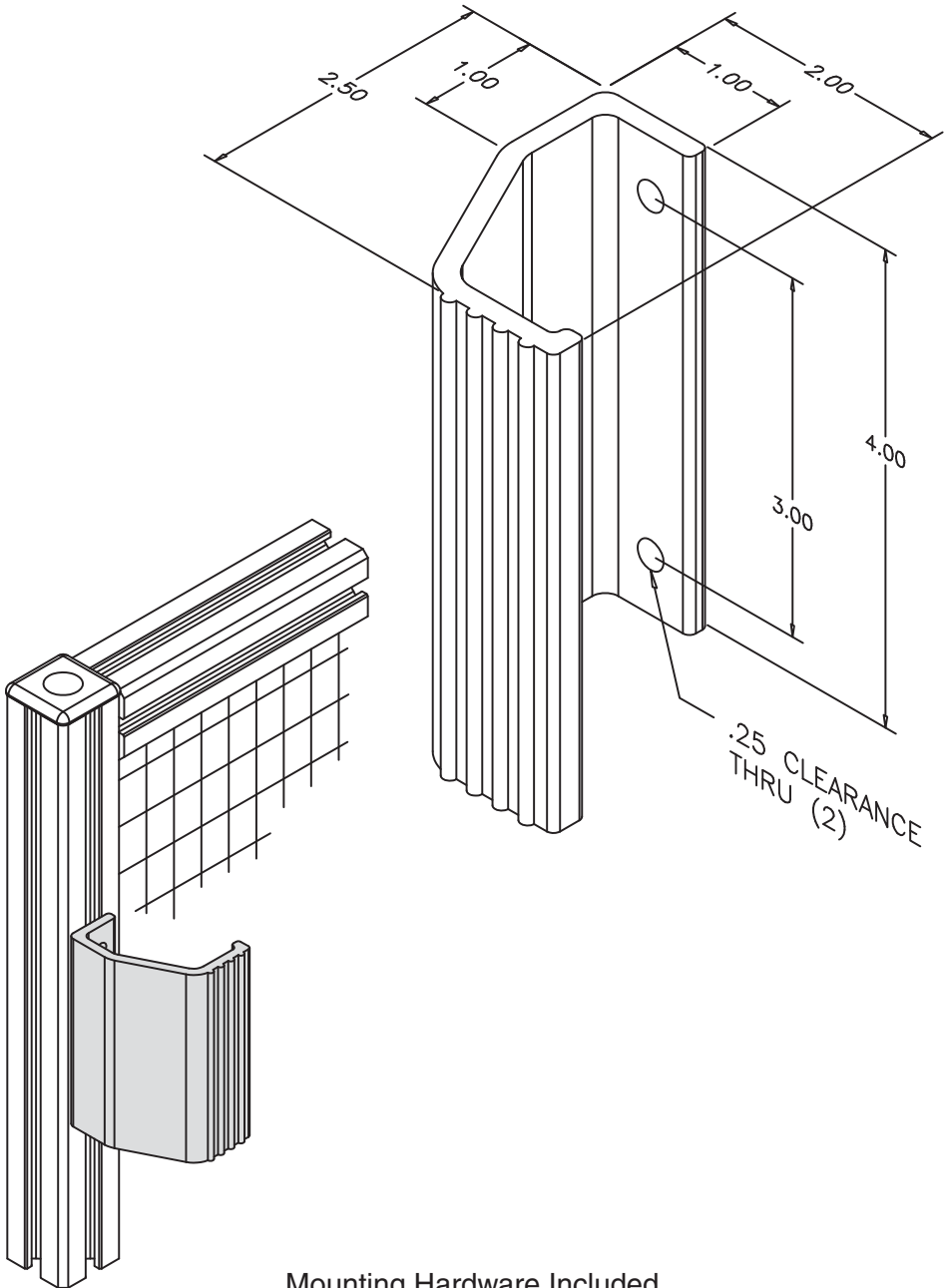
Material - Aluminum
Finish - Black Powder Coat

Extruded Door Handle



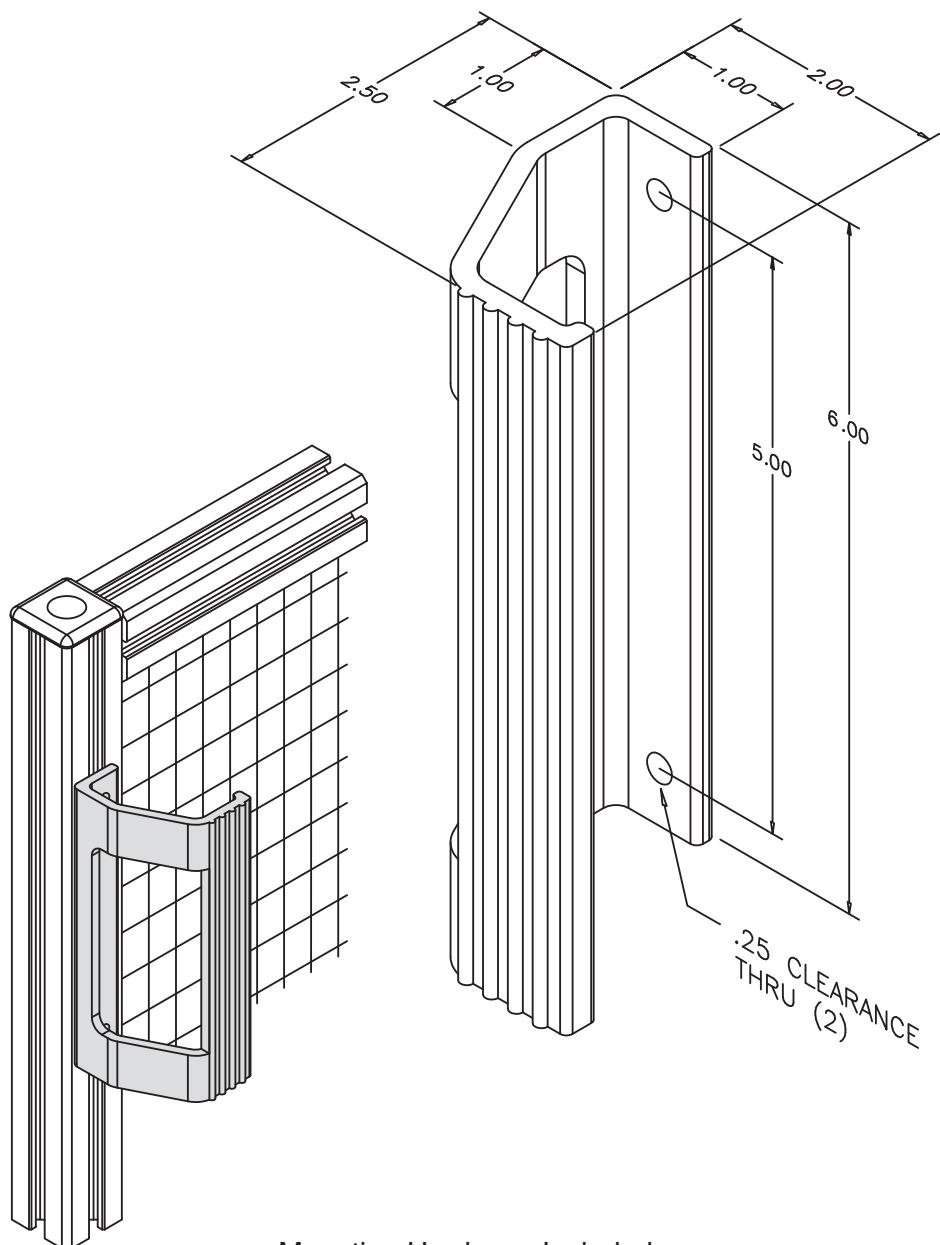
EF-181

5/16" SLOTS



Mounting Hardware Included

Material - Aluminum
Finish - Black Powder Coat



5/16" SLOTS

Mounting Hardware Included

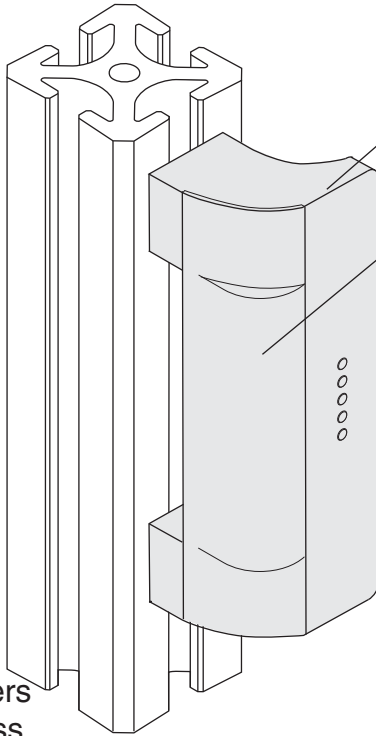
Material - Aluminum
Finish - Black Powder Coat

Safety Door Handle



EF-125
EF-126
EF-127

5/16" SLOTS



Black Handle Base

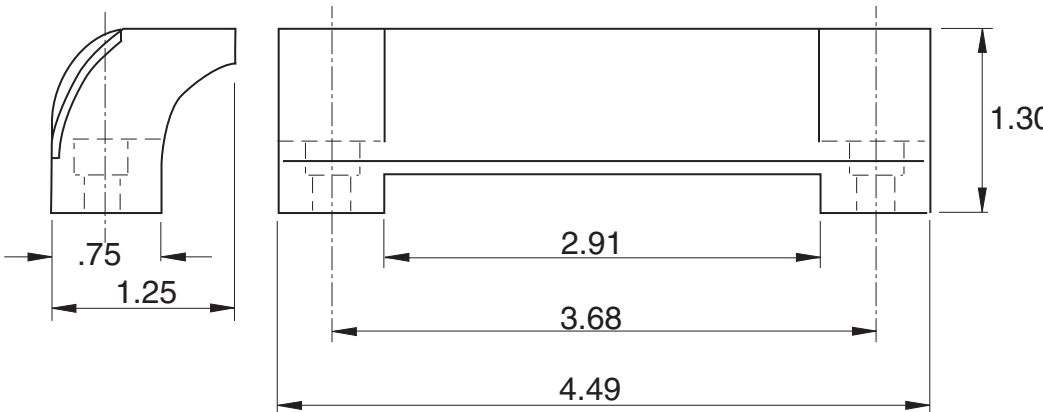
Colored Bolt Cover

- EF-125** Black Cover
- EF-126** Yellow Cover
- EF-127** Orange Cover

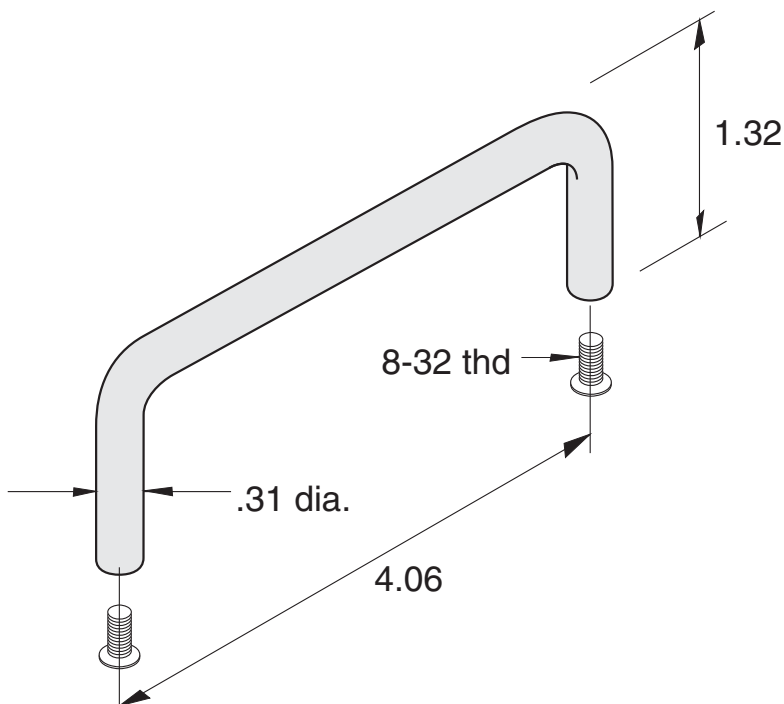
Note: Fingers will not pass through

Recommended Hardware
 For 5/16" slot sizes, use:
 (2) 11-222 & (2) EF-2A

 For 1/4" slot sizes, use:
 (2) 11-221 & (2) 11-210



Material - Plastic



5/16" SLOTS

Hardware Included

Note: 8-32 bolt length determined by panel thickness

Material - Aluminum
Finish - Clear Anodize

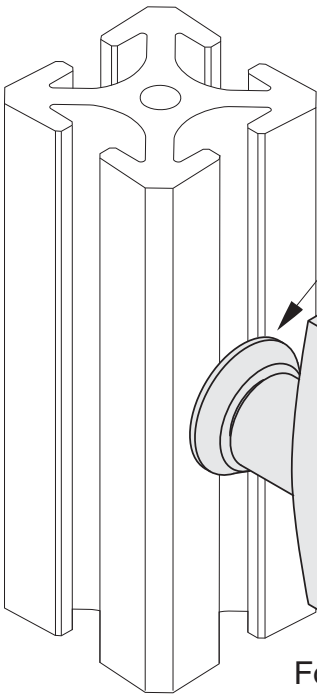
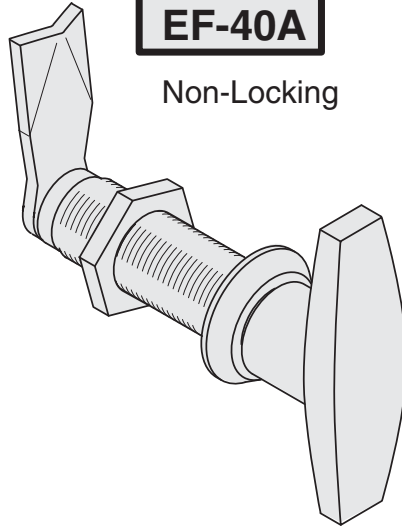
EF-40

5/16" SLOTS

Hardware included

EF-40A

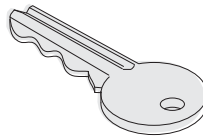
Non-Locking



.875 dia mounting hole

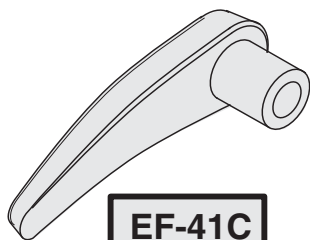
EF-40B

Locking

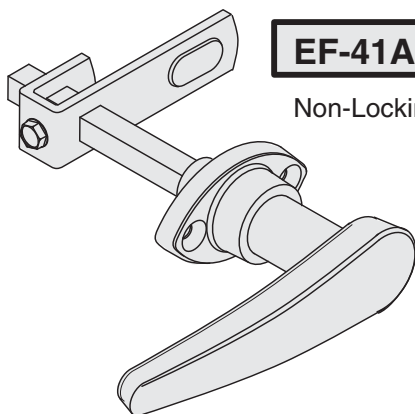


For factory supplied mounting hole,
order EF-40H and provide hole location

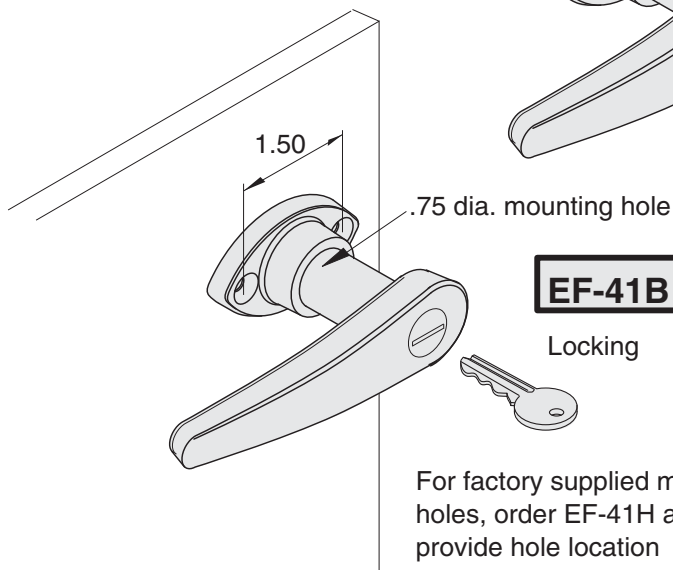
Material - Steel
Handle Finish - Black Powder Coat



Inside Handle



Non-Locking

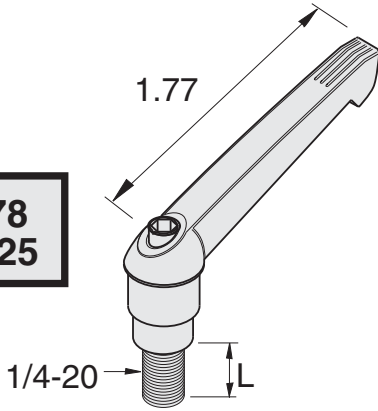
**5/16" SLOTS**

Material - Steel
Handle Finish - Chrome

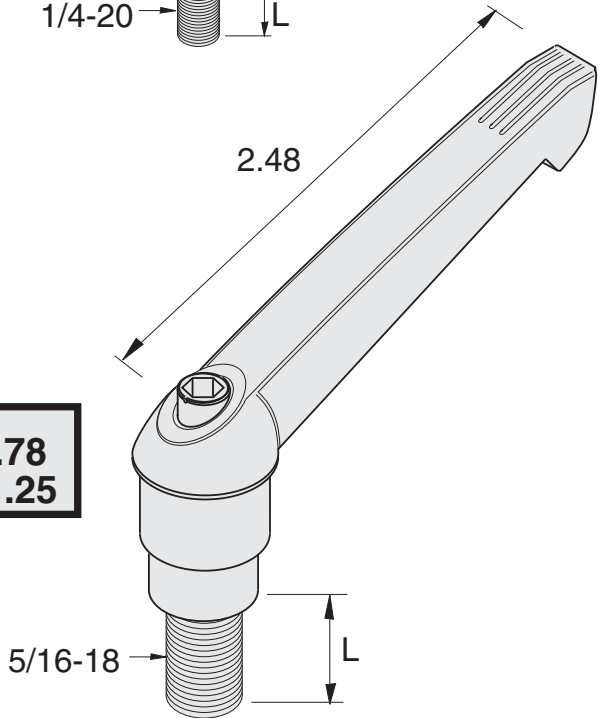
EF-32

5/16" SLOTS

EF-32-1, L= .78
EF-32-2, L=1.25

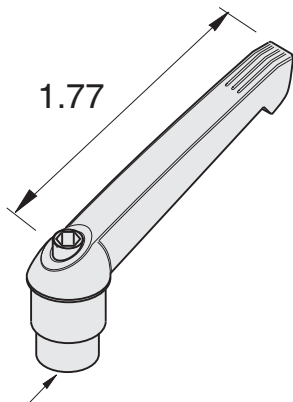


EF-32-3, L= .78
EF-32-4, L=1.25



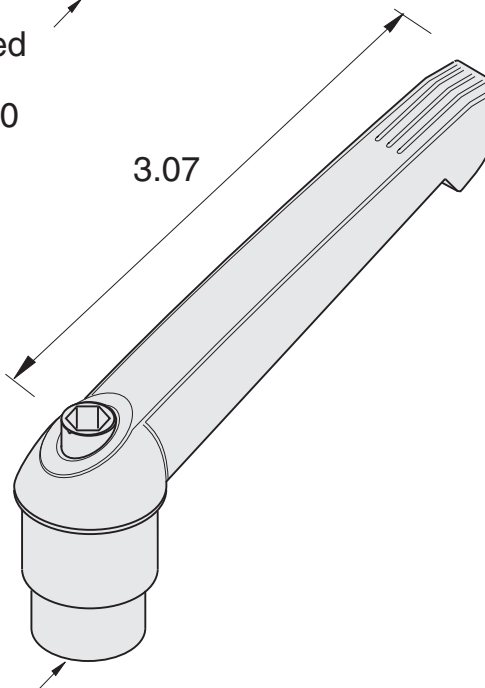
Handle Material - Plastic

EF-33-1



tapped for
1/4-20

EF-33-2



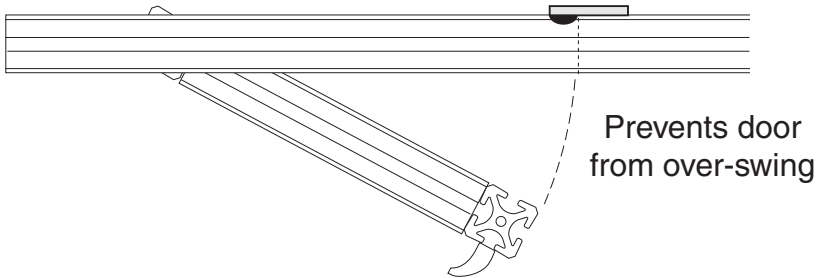
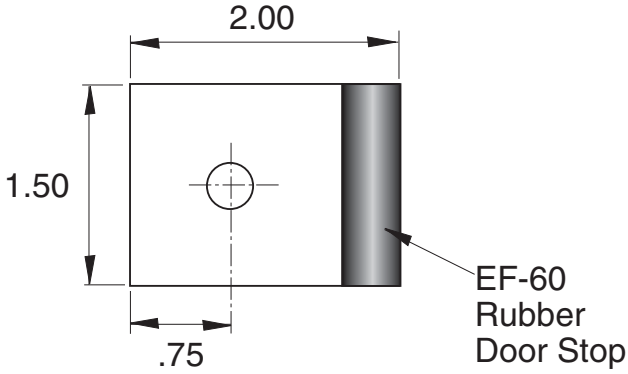
tapped for
5/16-18

5/16" SLOTS

Handle Material - Plastic

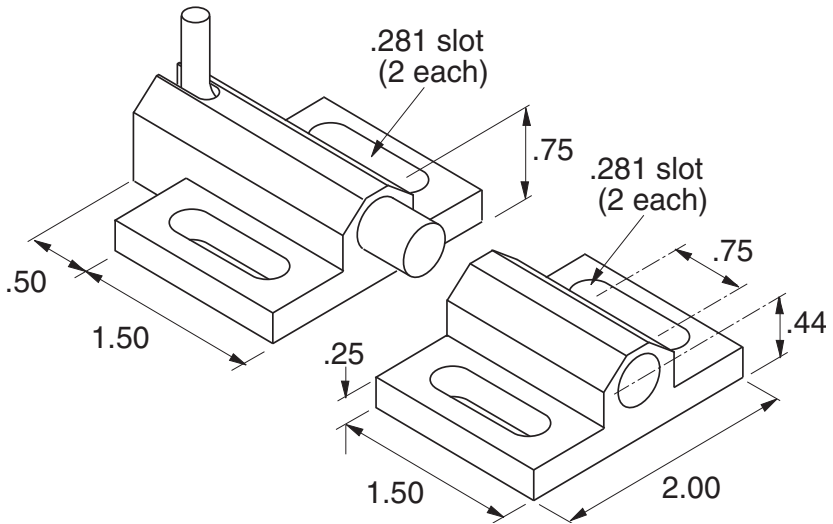
EB-35

5/16" SLOTS

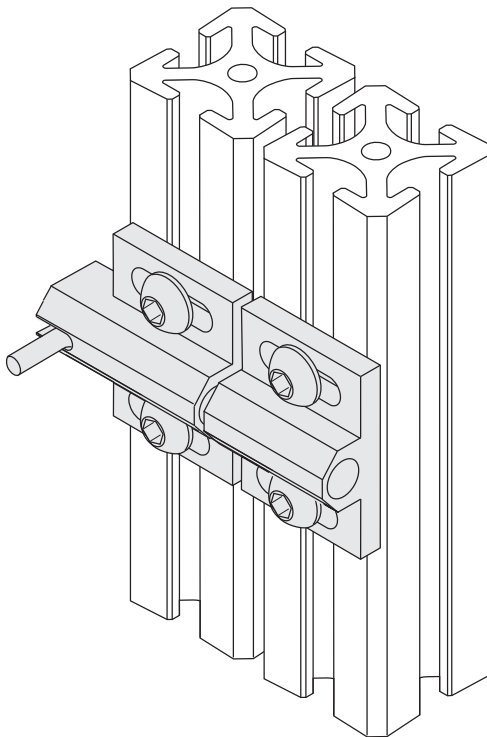


- Recommended
Hardware
- (1) EF-12-.63 BHCS
 - (1) EF-1 Pivot T-nut

Material - Aluminum
Finish - Clear Anodize



5/16" SLOTS



Hardware Included

Material:
Mounting Plates:
 Aluminum , Clear Anodize
Dead Bolt:Zinc Plated Steel

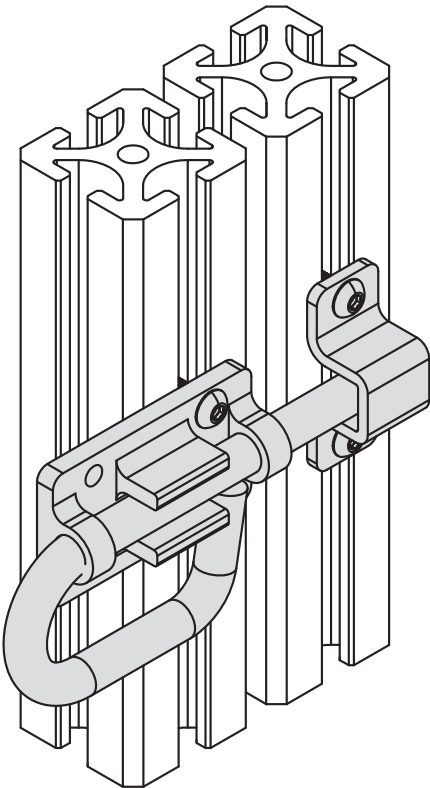
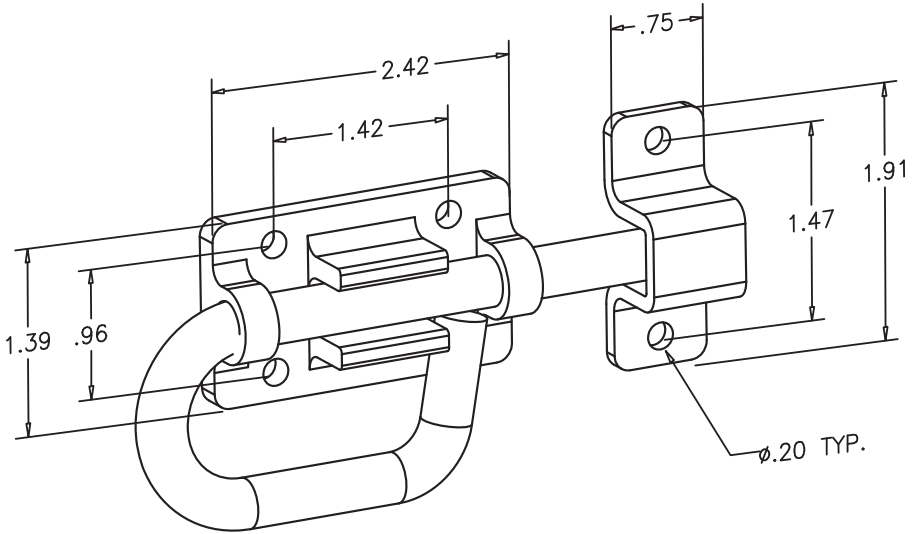
Deadbolt Latch



EF-171

.375 dia. Bolt

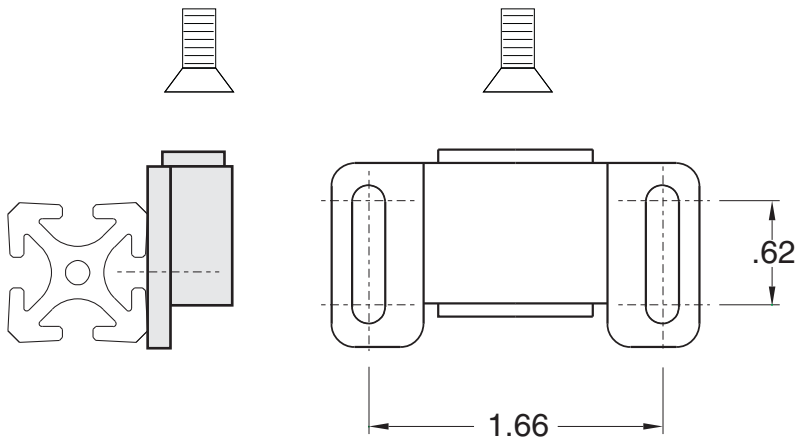
5/16" SLOTS



Hardware Included

Use with 5/16" slot extrusions

Material - Zinc Plated Steel



5/16" SLOTS

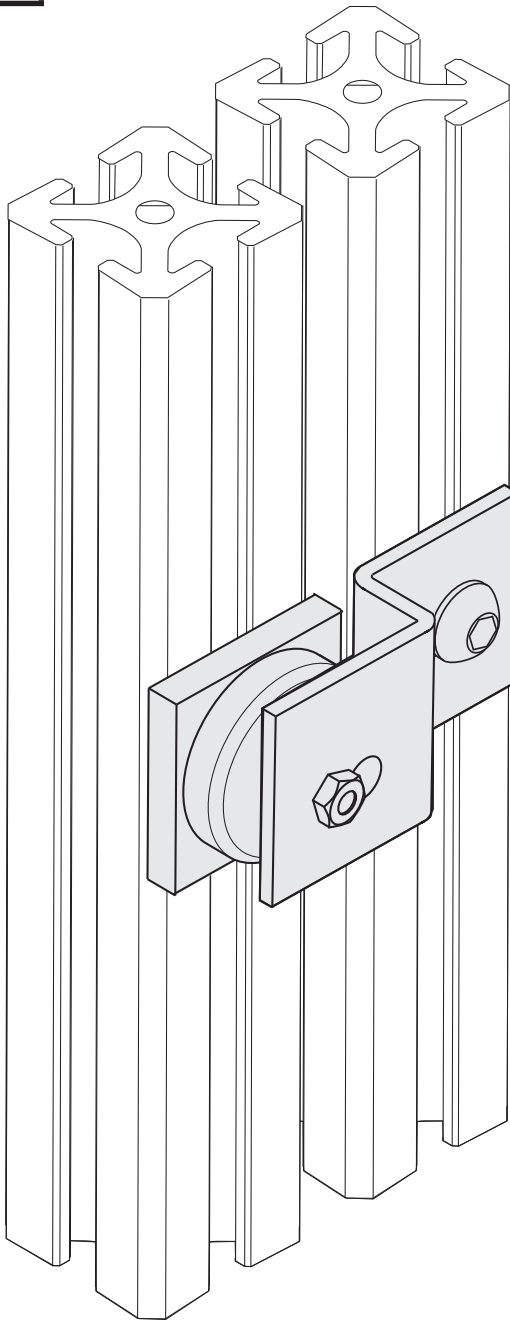
includes 1/4-20 FHCS striker and all hardware

**Heavy Duty Magnetic
Door Latch Assembly**



EF-22HD

5/16" SLOTS

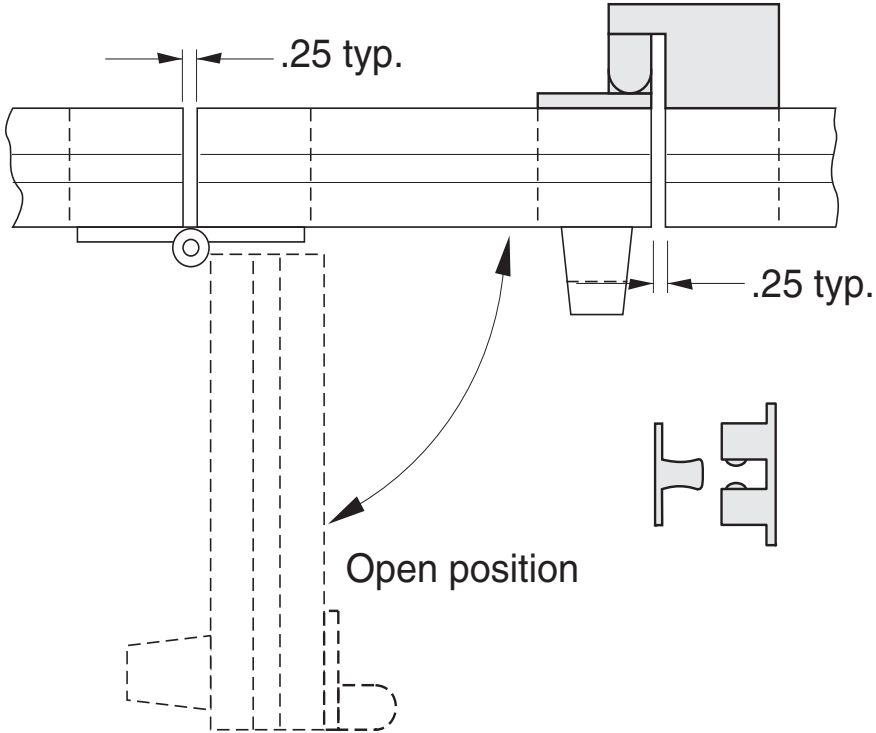


Hardware
Included

Our most
popular latch.

Material - Steel
Finish - Zinc Plate and Black Powder Coat

5/16" SLOTS



Use with 1 1/2" extrusions (5/16" slot size)

Hardware Included

Catch Material - Zinc Plated Brass

Base Material - Aluminum

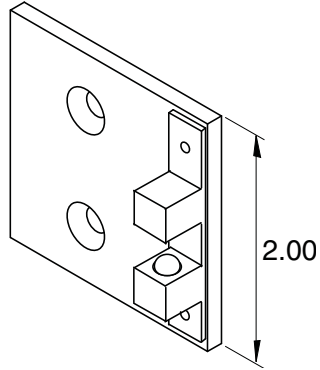
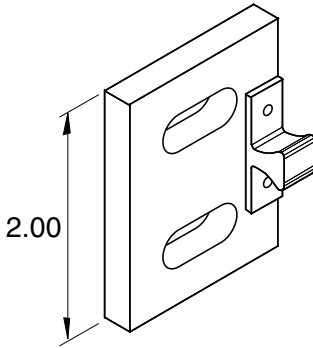
Mechanical Door Latch 5/16" Slots



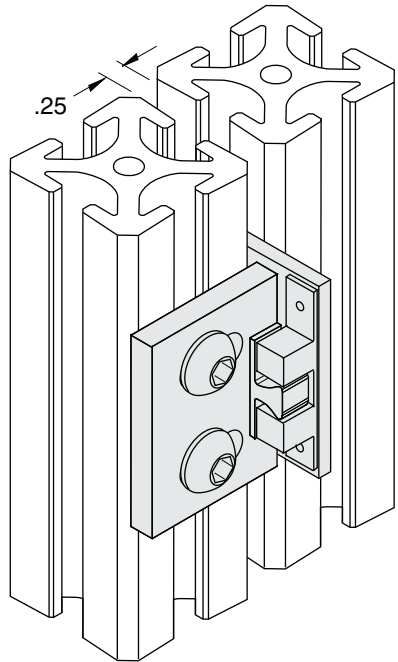
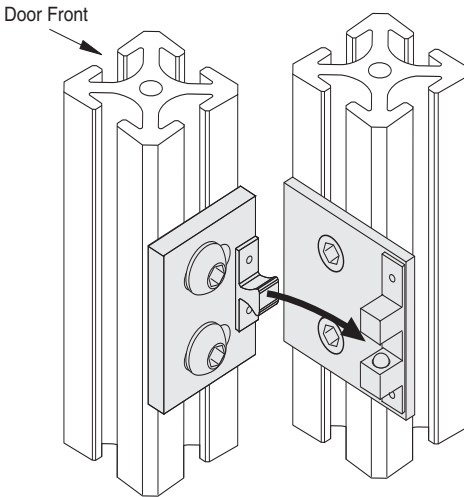
EF-78

excludes EX-52 & EX-54

Adjustable
Tension

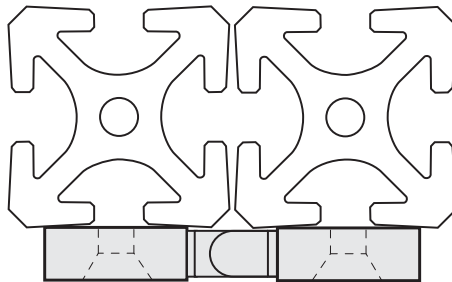
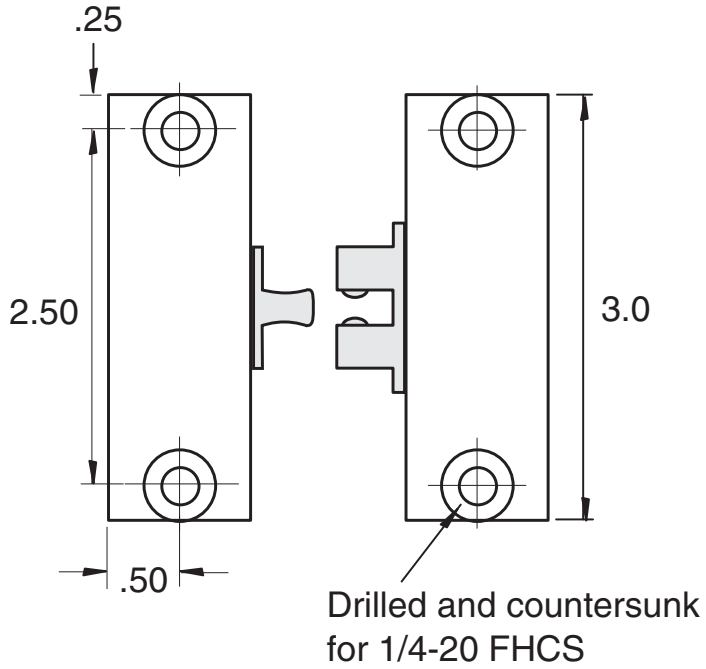


5/16" SLOTS



Hardware Included
Material Mounting Plates: Aluminum , Clear Anodize
Latch: Zinc Plated Brass

5/16" SLOTS



Hardware Included

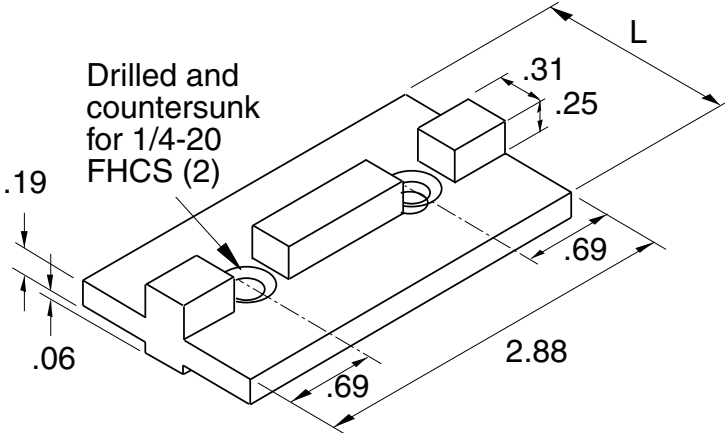
Catch Material - Zinc Plated Brass
Base Material - Aluminum (Clear Anodized)

Bearing Block (Plastic)

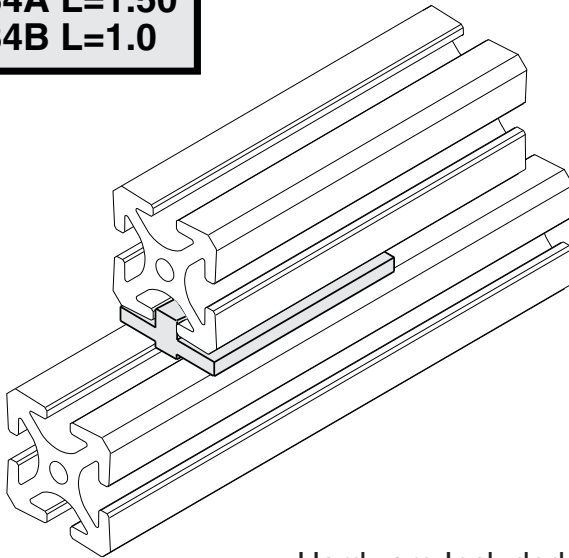


EF-34

5/16" SLOTS



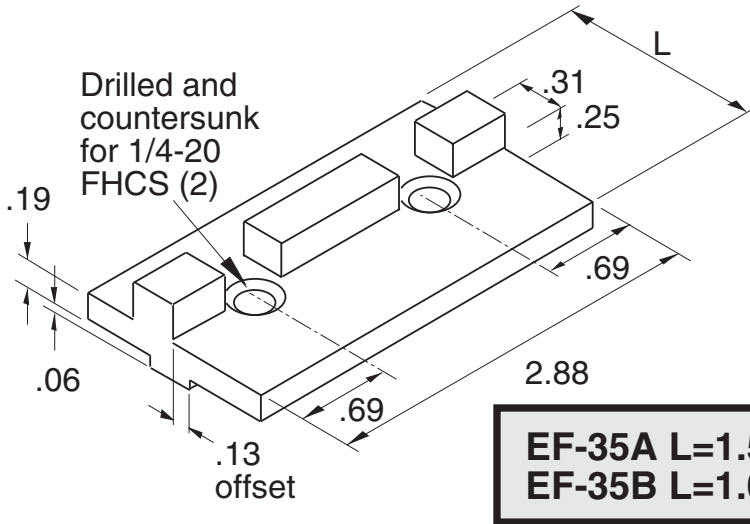
EF-34A L=1.50
EF-34B L=1.0



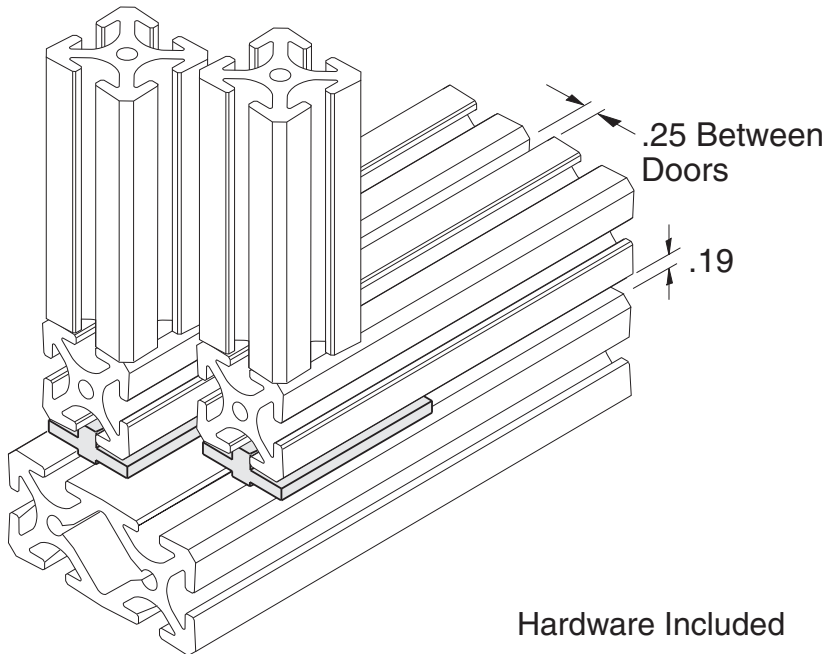
Hardware Included

Bearing Material - DELRIN (white)

EF-35



5/16" SLOTS



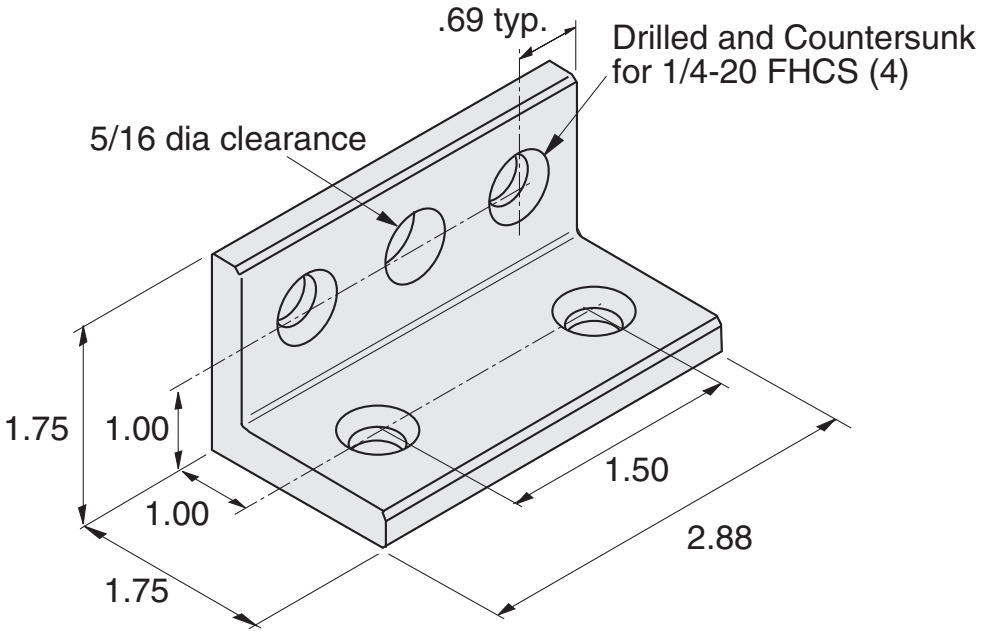
Hardware Included

Load Capacity = 50 lbs.

Bearing Material - DELRIN (white)

EF-36

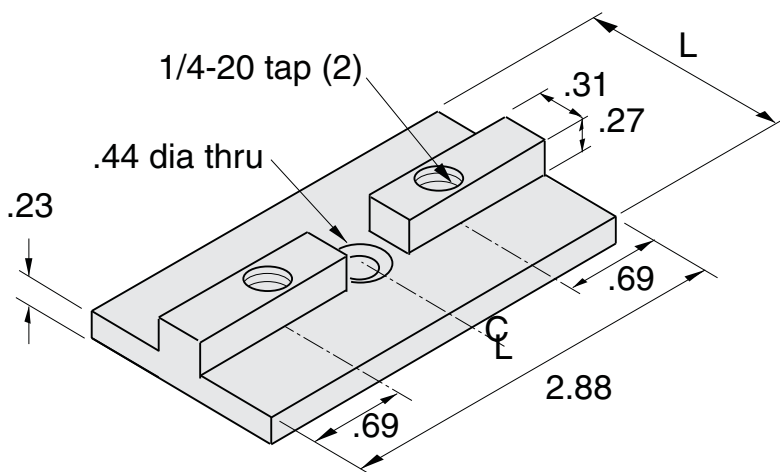
5/16" SLOTS



Note: See part no EB-38 for example

Recommended
Hardware
(4) EF-157-.63
(2) EF-2A T-nut

Material - Aluminum
Finish - Clear Anodize



EF-37A L=1.50
EF-37B L=1.0

Load Capacity = 50 lbs.

Bearing Material - DELRIN (white)

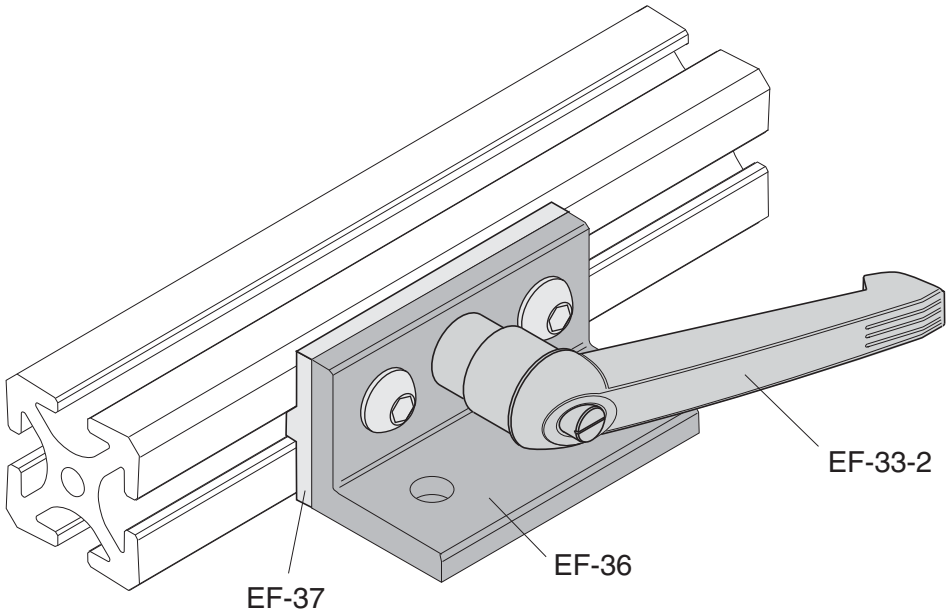
5/16" SLOTS

Slider Assembly

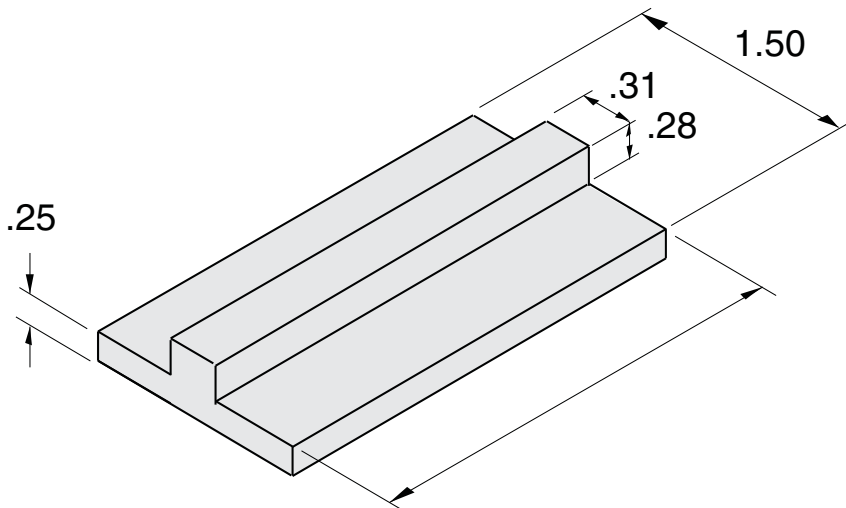


EF-38	Slider Assembly (as shown)
EF-38S	Slider Assembly (less clamp handle for sliding only)

5/16" SLOTS



Recommended
Hardware
(2) EF-157-.63
(2) EF-2A T-nut

**5/16" SLOTS**

Standard length
is 60" and 120" —
sold by the inch.

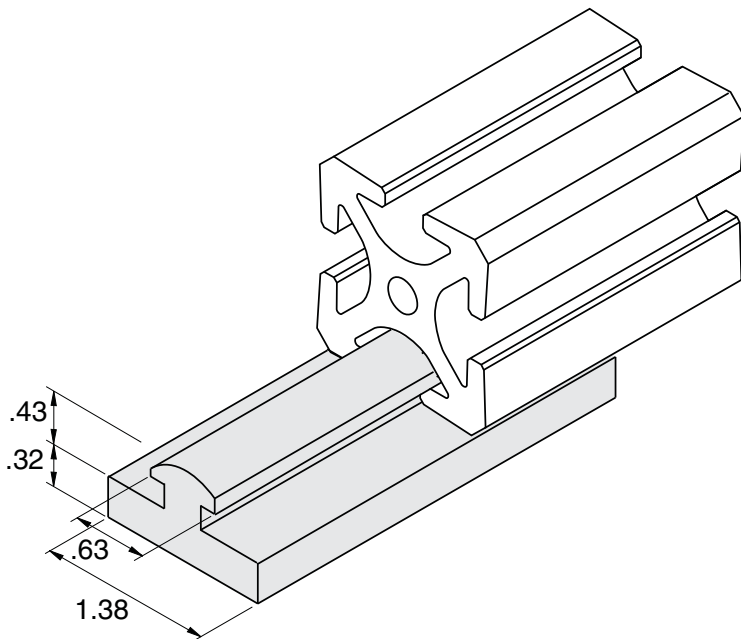
Material - UHMW (white)

**Blank Hanging Slider Track
5/16" Slot Size**

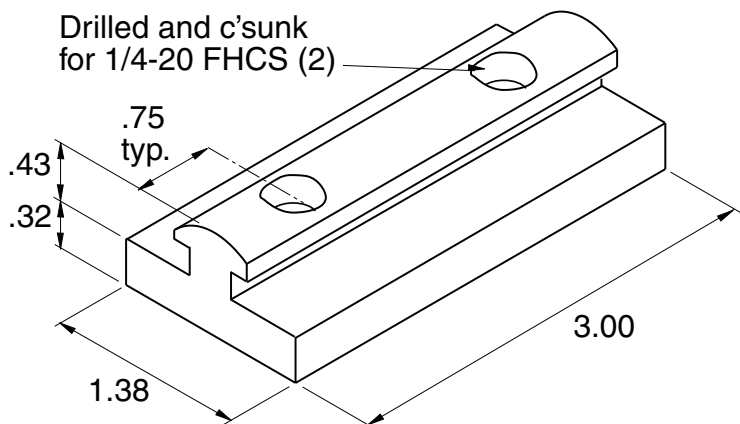


EF-77

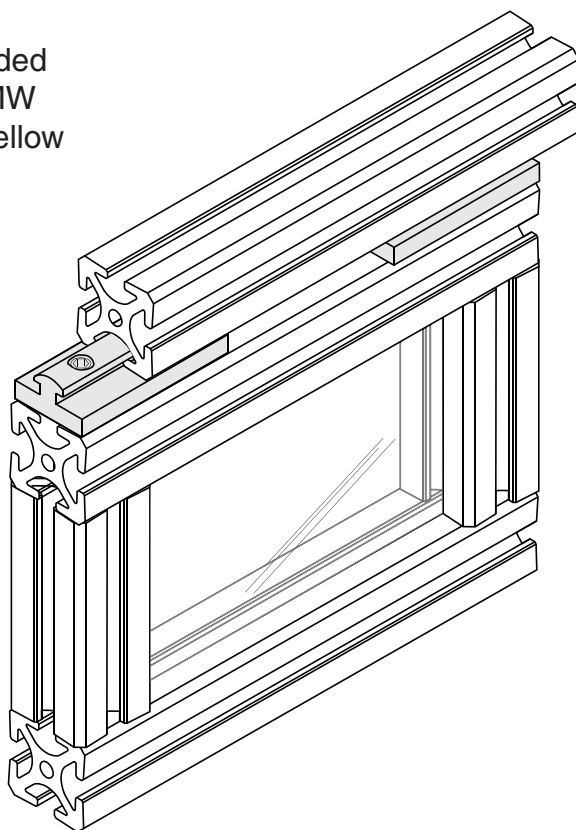
5/16" SLOTS



Material - UHMW
Sold by the inch
Stock length is 60" & 120"
Color is Safety Yellow



Hardware Included
Material - UHMW
Color is Safety Yellow

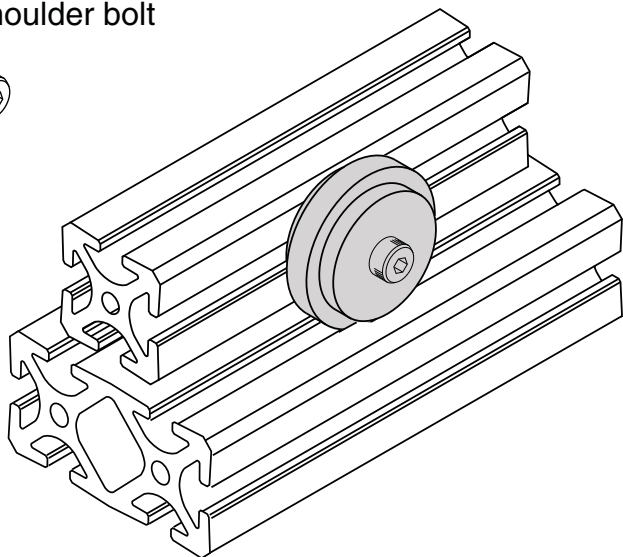
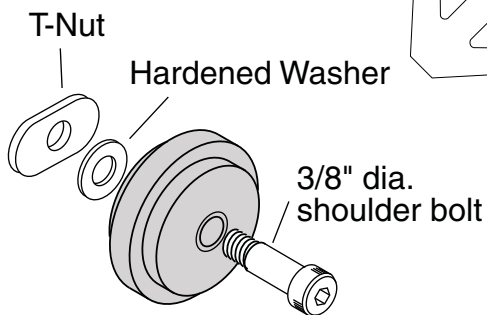
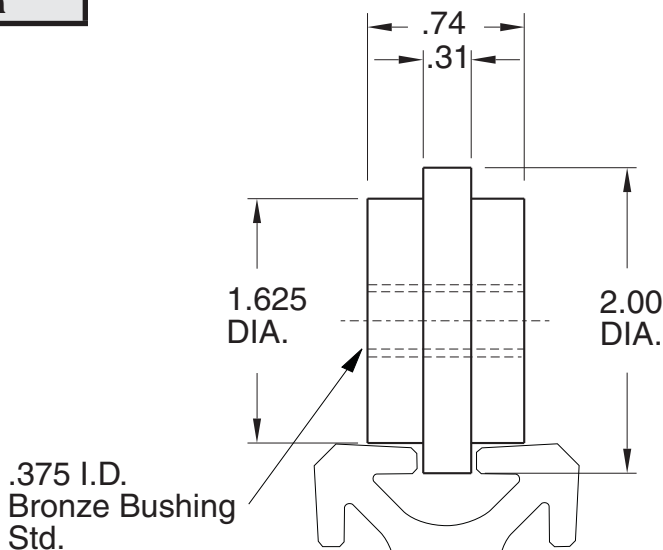


T-slot Roller



ER

5/16" SLOTS



Load Capacity 30 lbs.
Hardware Included

Material - DELRIN (white)

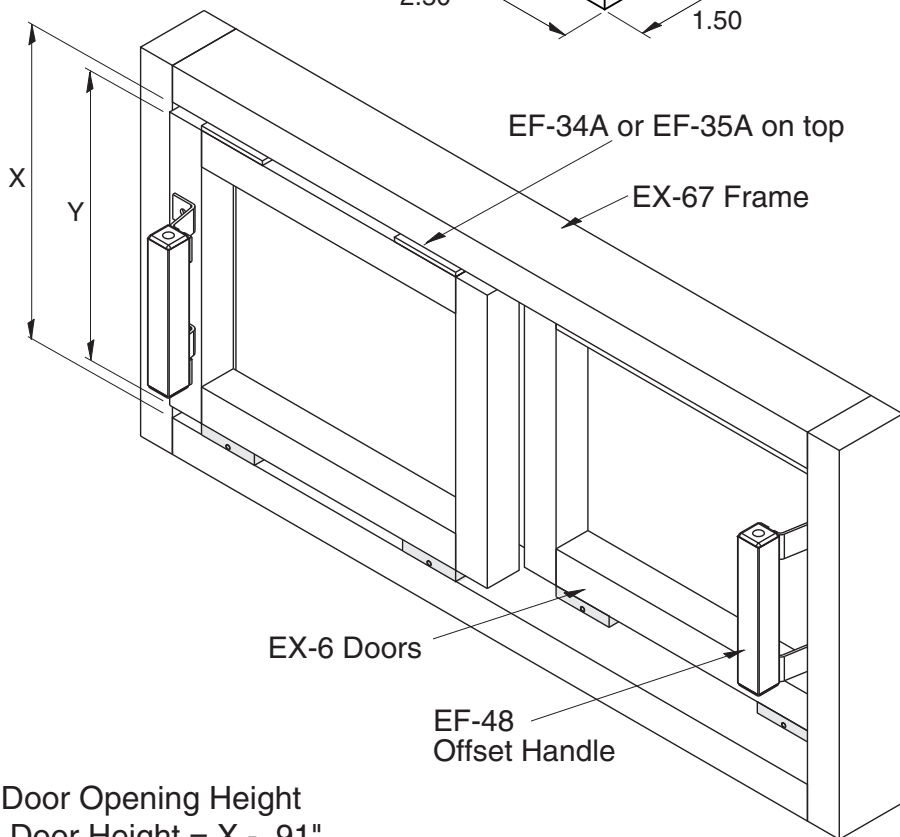
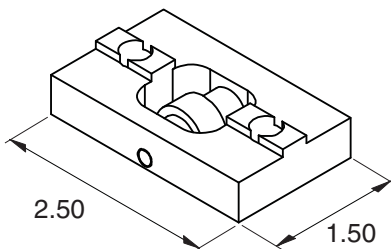
1/8" offset
on center

EF-88

EF-89

Door Clearance Between Sliders

- = .25" using (4) EF-88 and (4) EF-35A
- = .13" using (2) EF-88 with (2) EF-35A
and (2) EF-89 with (2) EF-34A



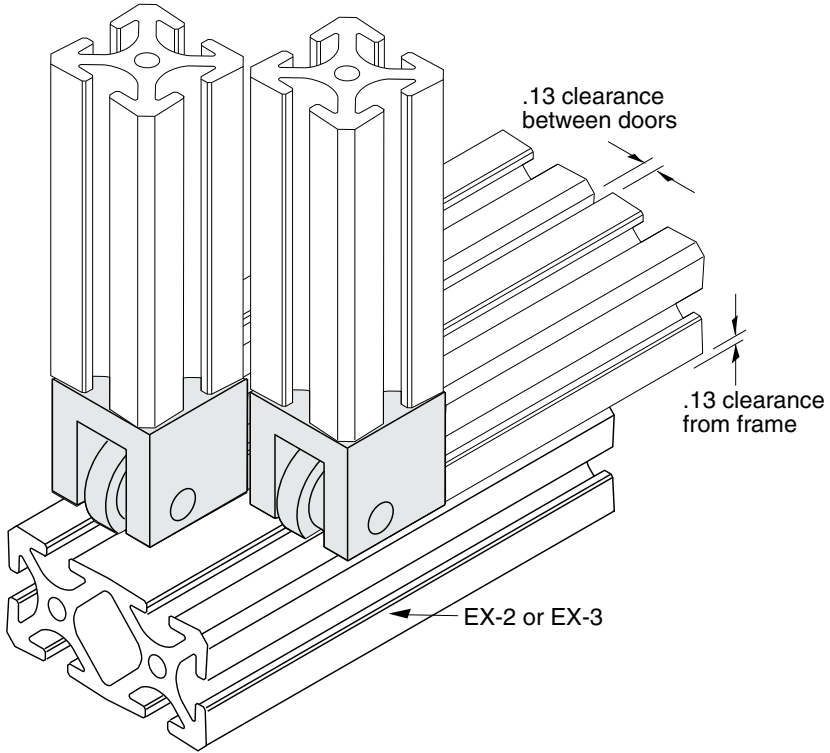
X= Door Opening Height
Y = Door Height = X - .91"

Hardware Included

5/16" SLOTS

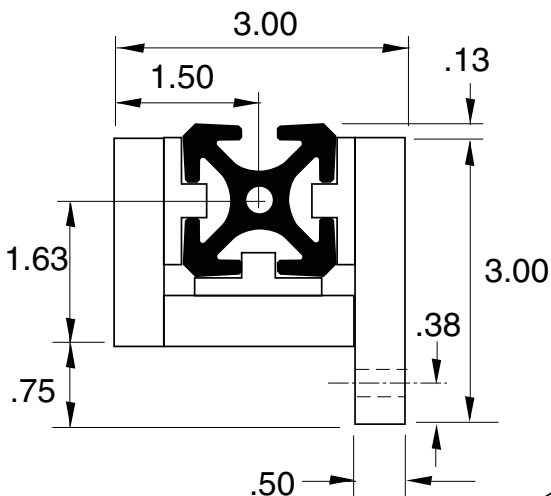
ER-BL

5/16" SLOTS



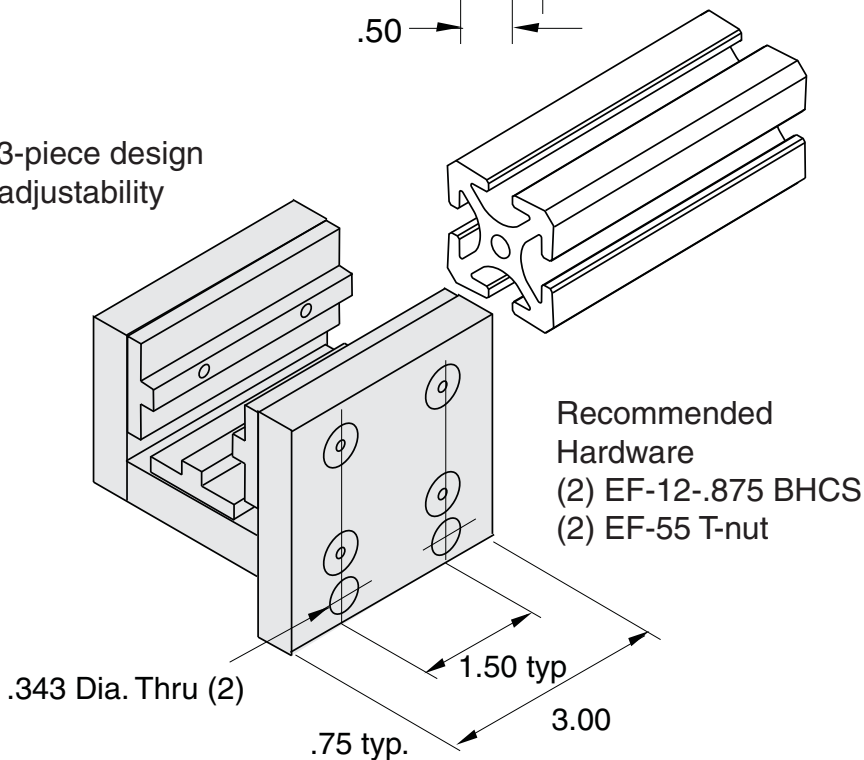
Hardware Included
Load Capacity 25 lbs.

Roller Material - DELRIN
Block Material - Aluminum (Clear Anodized)



5/16" SLOTS

Note: 3-piece design for adjustability



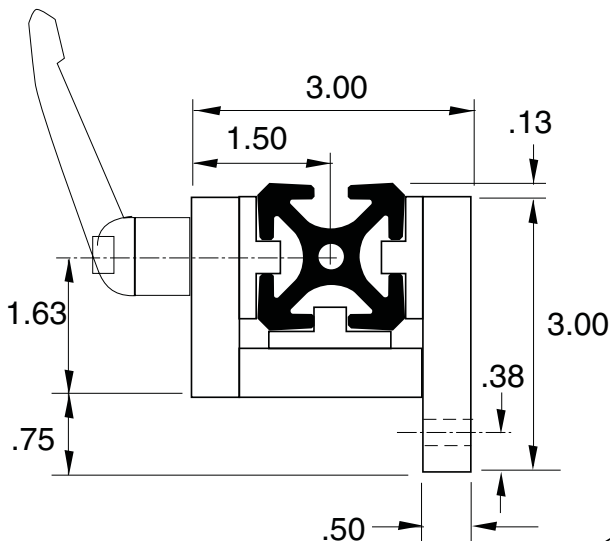
Bearing Material - DELRIN
Plate Material - Aluminum (Clear Anodized)

Single Mount Linear Bearing with Locking Handle

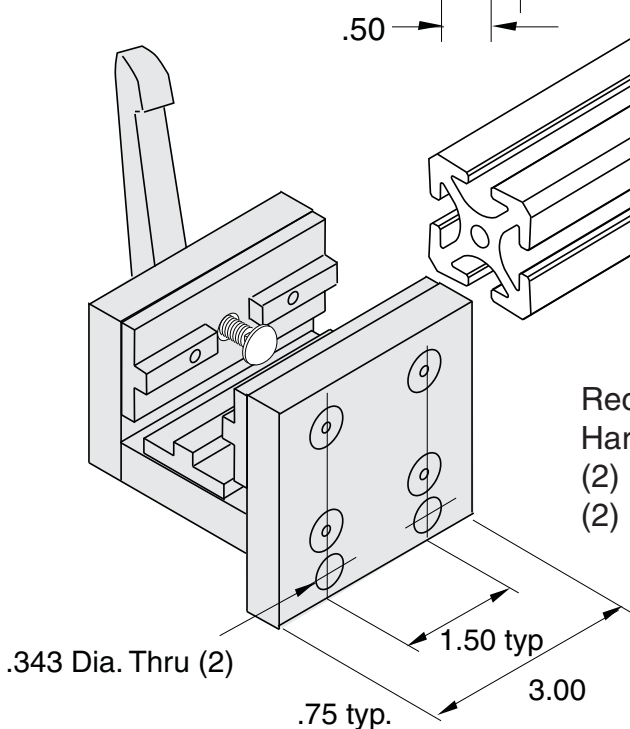


EB-91LH

5/16" SLOTS

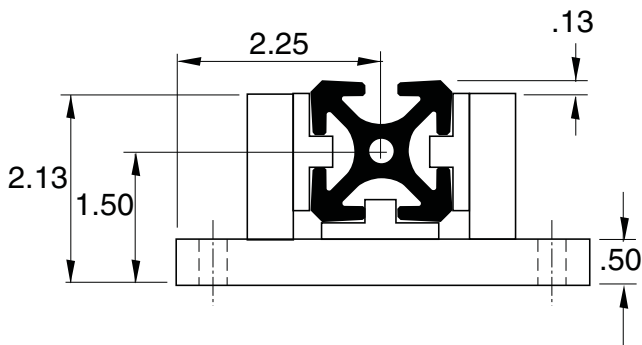


Note: 3-piece design for adjustability



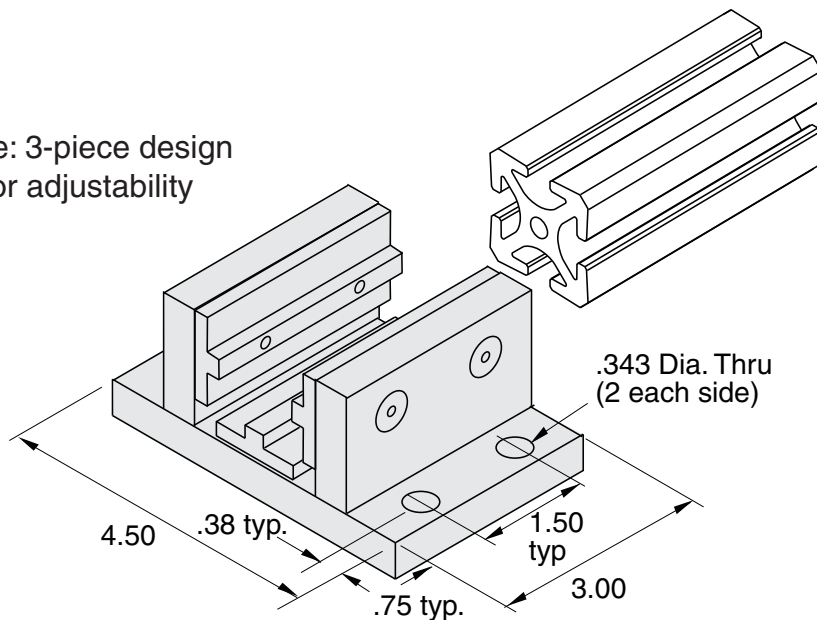
Recommended Hardware
(2) EF-12-.875 BHCS
(2) EF-55 T-nut

Bearing Material - DELRIN
Plate Material - Aluminum (Clear Anodized)



5/16" SLOTS

Note: 3-piece design
for adjustability



Recommended
Hardware
(4) EF-12-.875 BHCS
(4) EF-55 T-nut

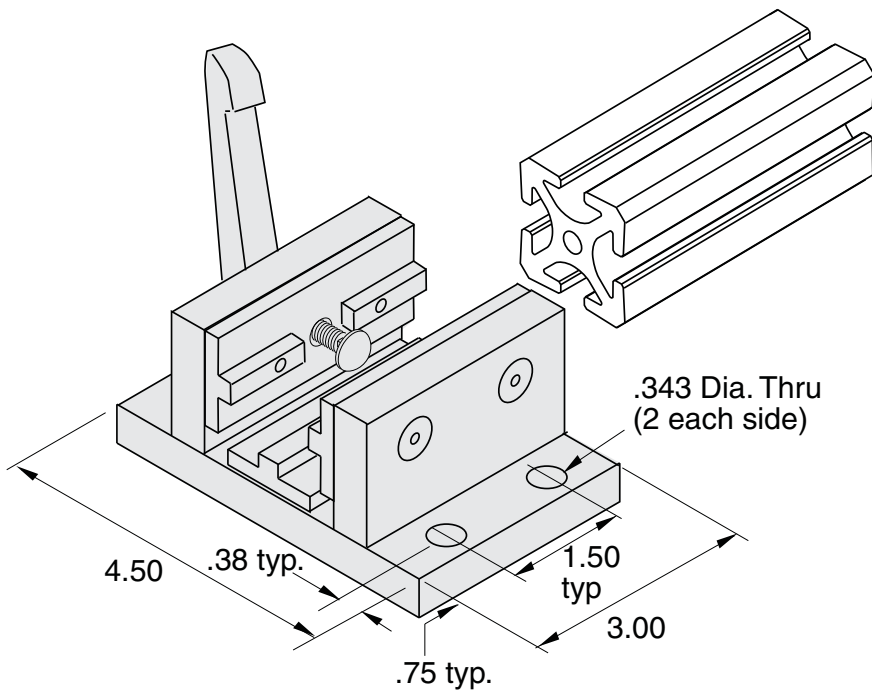
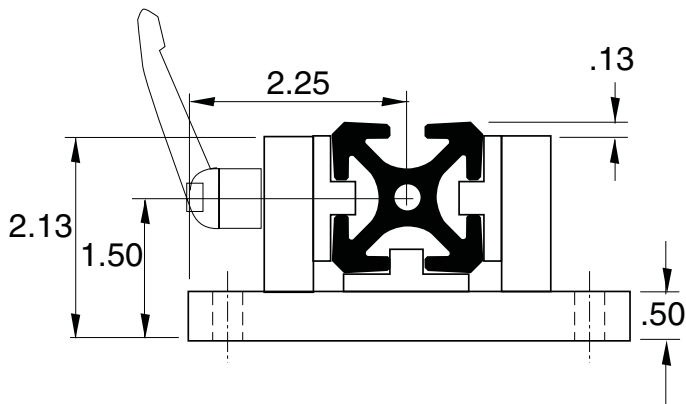
Bearing Material - DELRIN
Plate Material - Aluminum (Clear Anodized)

Single Mount Linear Bearing with Locking Handle



EB-93LH

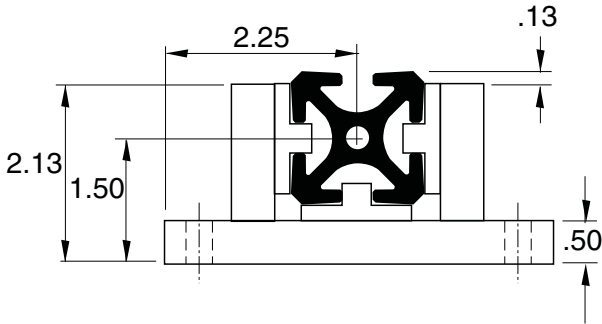
5/16" SLOTS



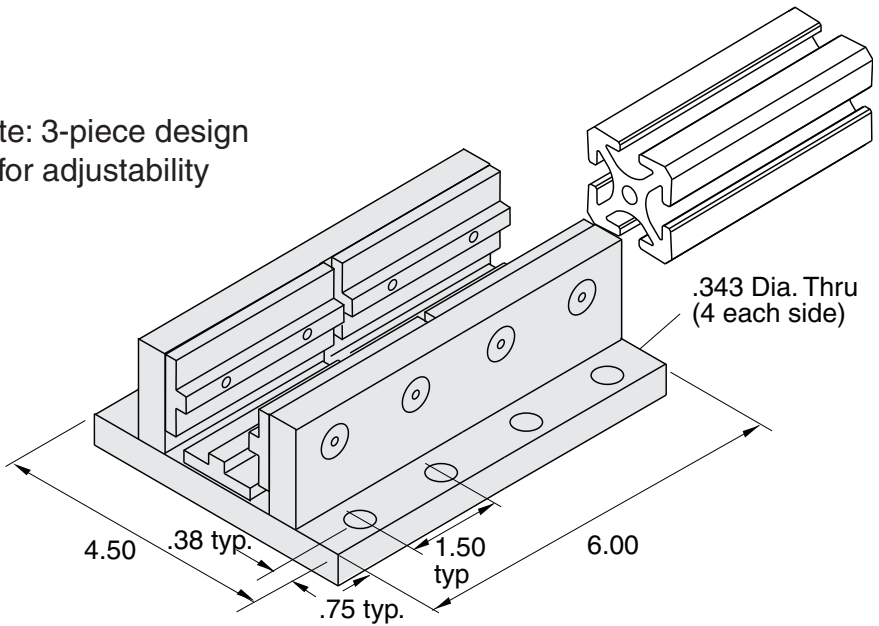
Recommended
Hardware

- (4) EF-12-.875 BHCS
- (4) EF-55 T-nut

Bearing Material - DELRIN
Plate Material - Aluminum (Clear Anodized)



Note: 3-piece design
for adjustability



5/16" SLOTS

Recommended
Hardware
(8) EF-12-.875 BHCS
(8) EF-55 T-nut

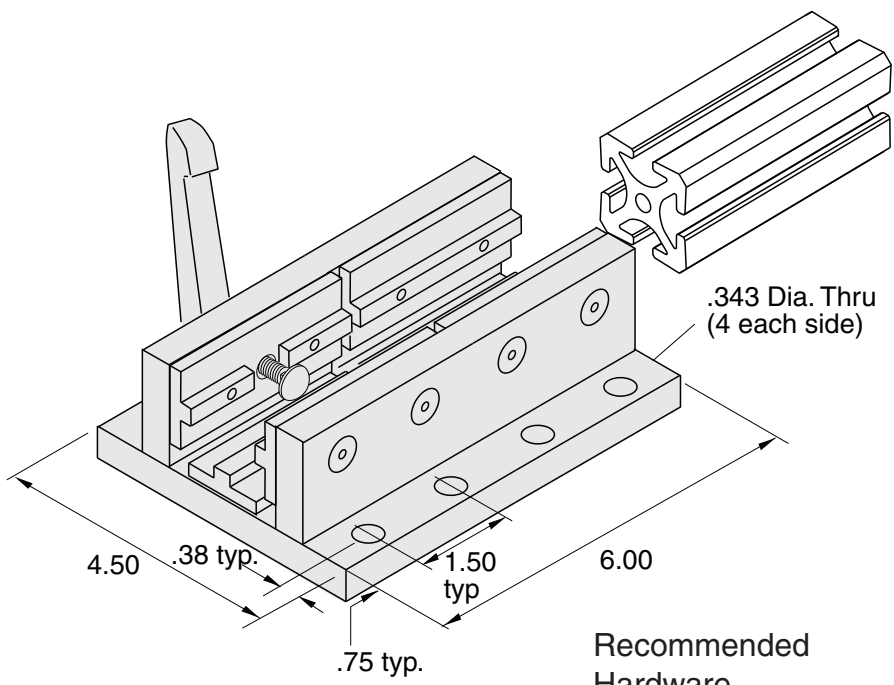
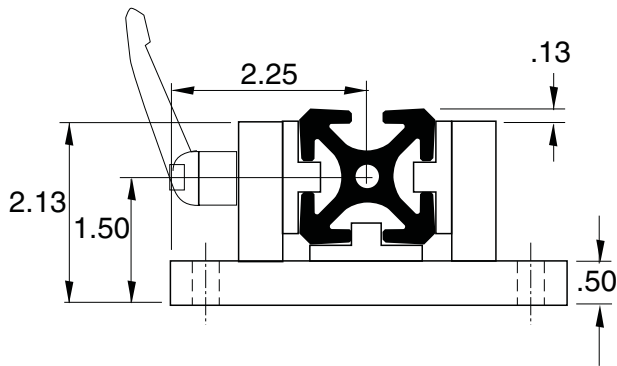
Bearing Material - DELRIN
Plate Material - Aluminum (Clear Anodized)

Double Mount Linear Bearing with Locking Handle



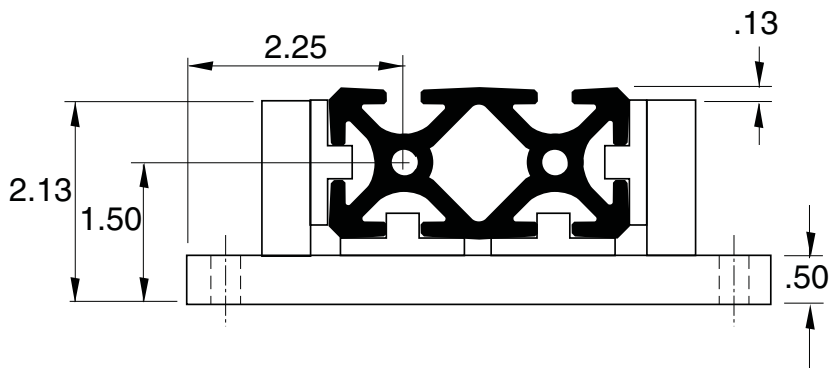
EB-92LH

5/16" SLOTS

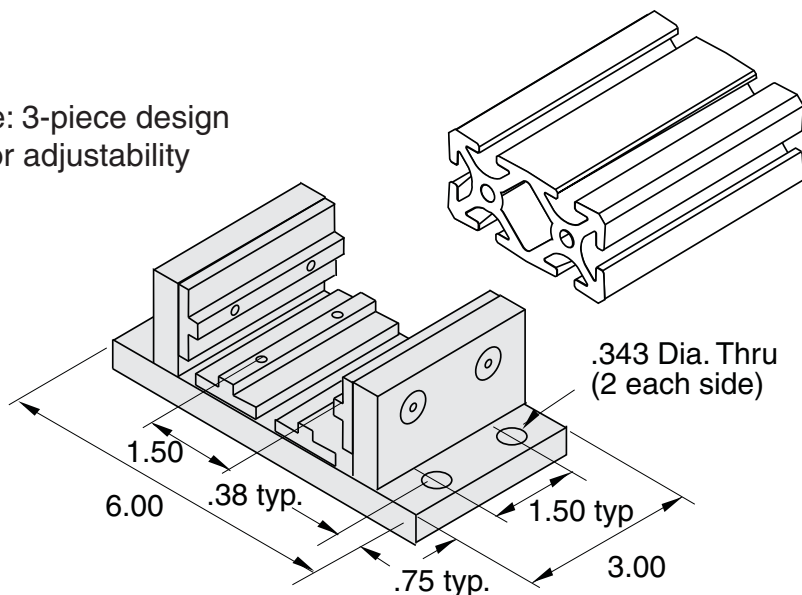


Recommended Hardware
 (8) EF-12-.875 BHCS
 (8) EF-55 T-nut

Bearing Material - DELRIN
 Plate Material - Aluminum (Clear Anodized)



Note: 3-piece design
for adjustability



Recommended
Hardware

- (4) EF-12-.875 BHCS
- (4) EF-55 T-nut

Bearing Material - DELRIN
Plate Material - Aluminum (Clear Anodized)

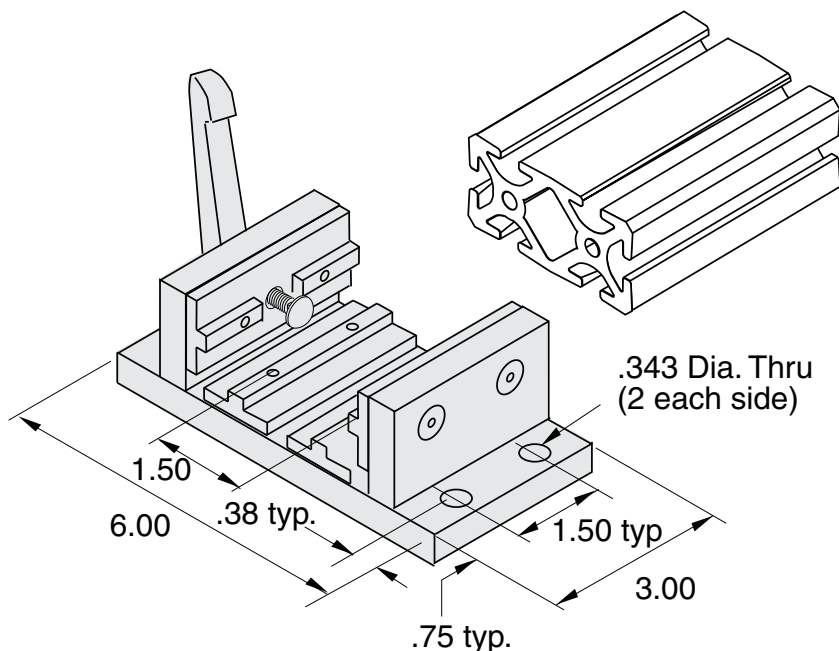
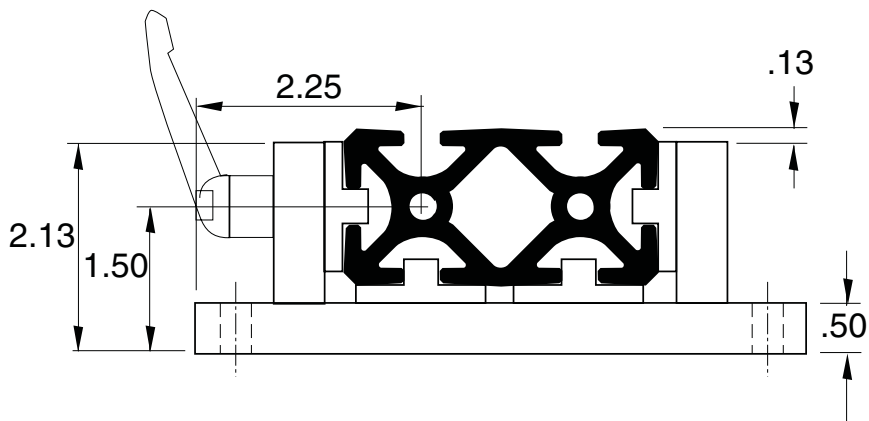
5/16" SLOTS

Single Mount Linear Bearing with Locking Handle



EB-94LH

5/16" SLOTS



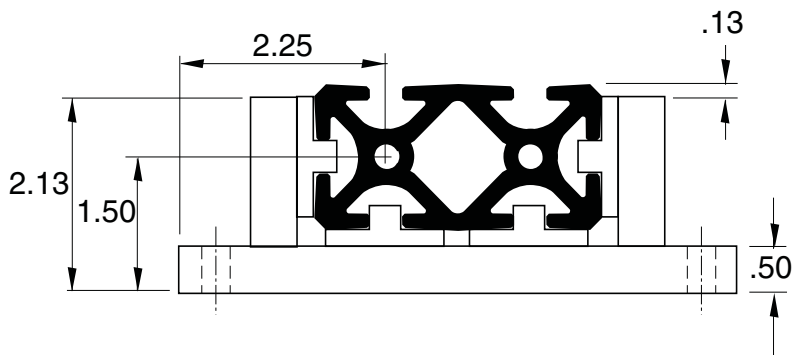
Recommended
Hardware

(4) EF-12-.875 BHCS

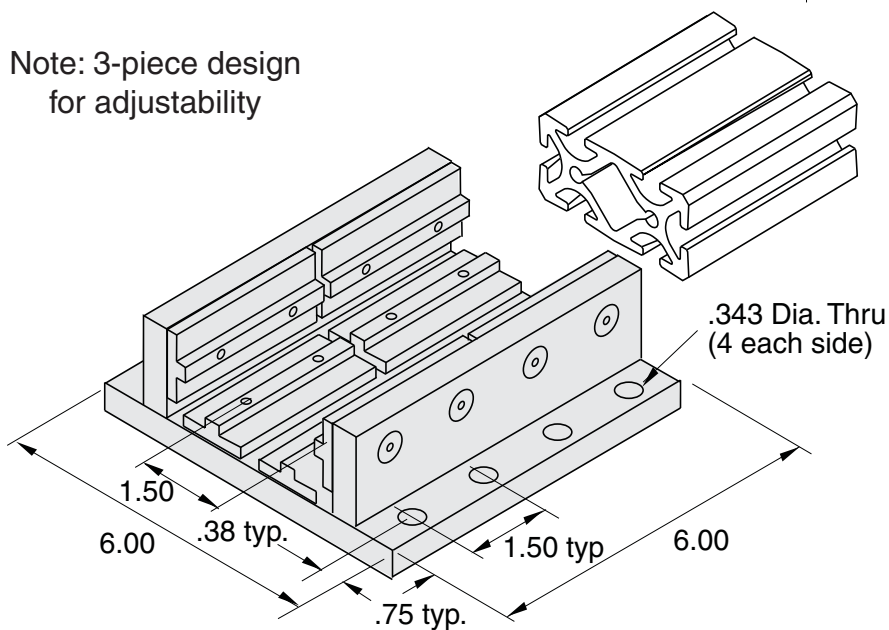
(4) EF-55 T-nut

Bearing Material - DELRIN

Plate Material - Aluminum (Clear Anodized)



Note: 3-piece design
for adjustability



Recommended
Hardware
(8) EF-12-.875 BHCS
(8) EF-55 T-nut

Bearing Material - DELRIN
Plate Material - Aluminum (Clear Anodized)

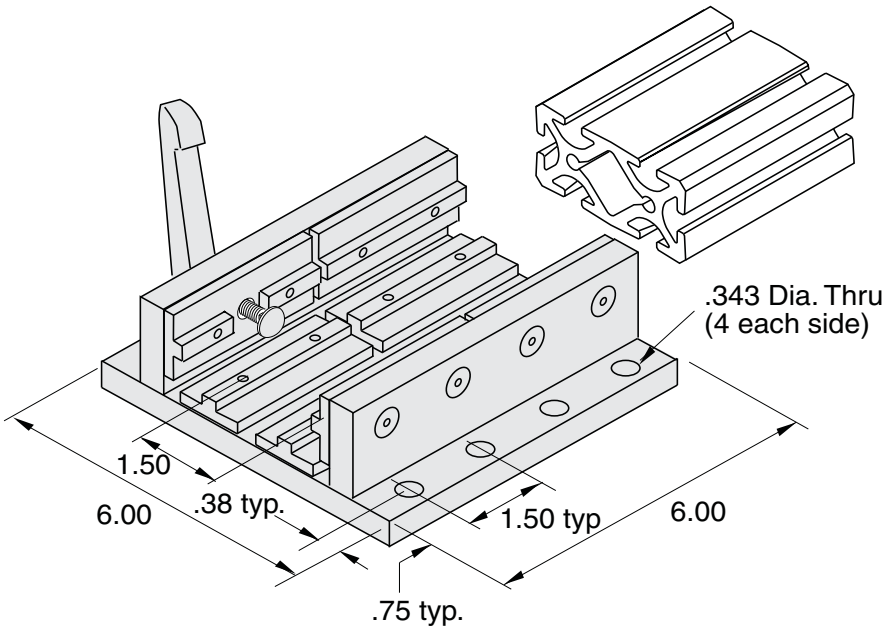
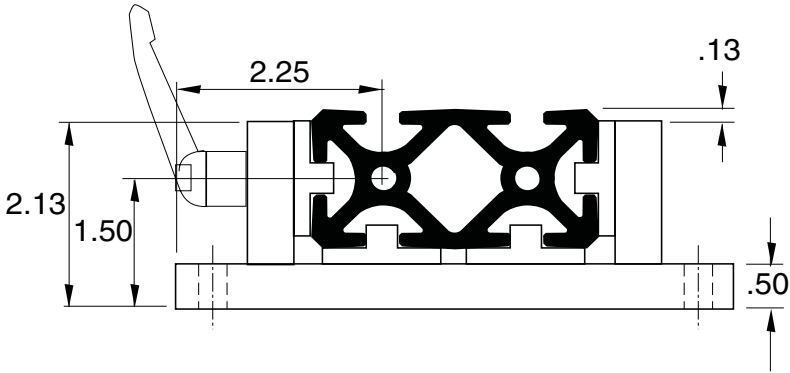
5/16" SLOTS

Double Mount Linear Bearing with Locking Handle



EB-95LH

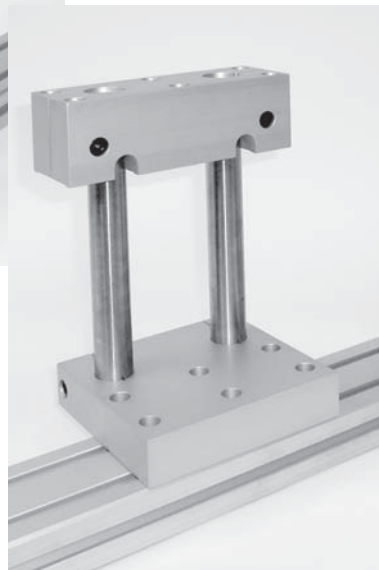
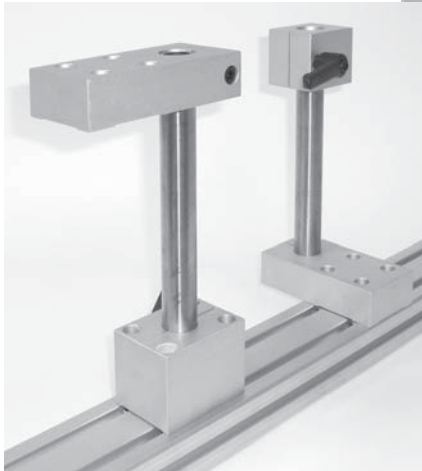
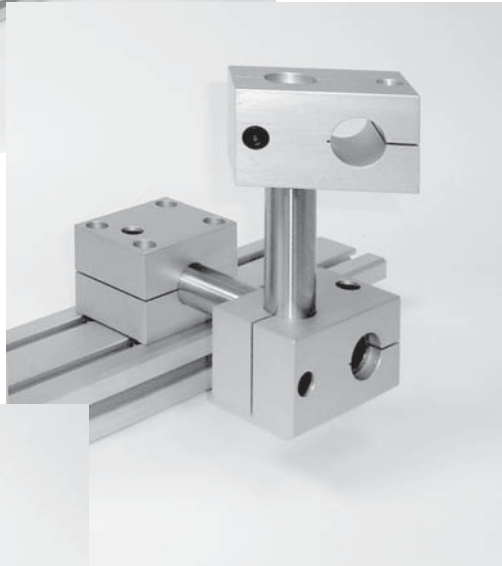
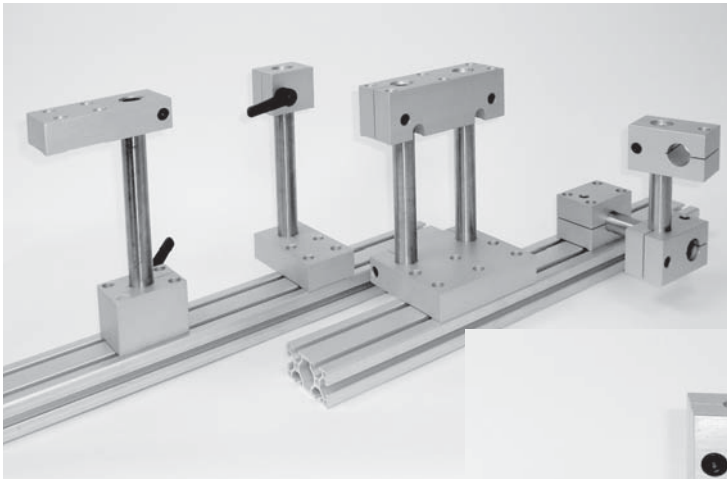
5/16" SLOTS



Recommended Hardware

- (8) EF-12-.875 BHCS
- (8) EF-55 T-nut

Bearing Material - DELRIN
 Plate Material - Aluminum (Clear Anodized)



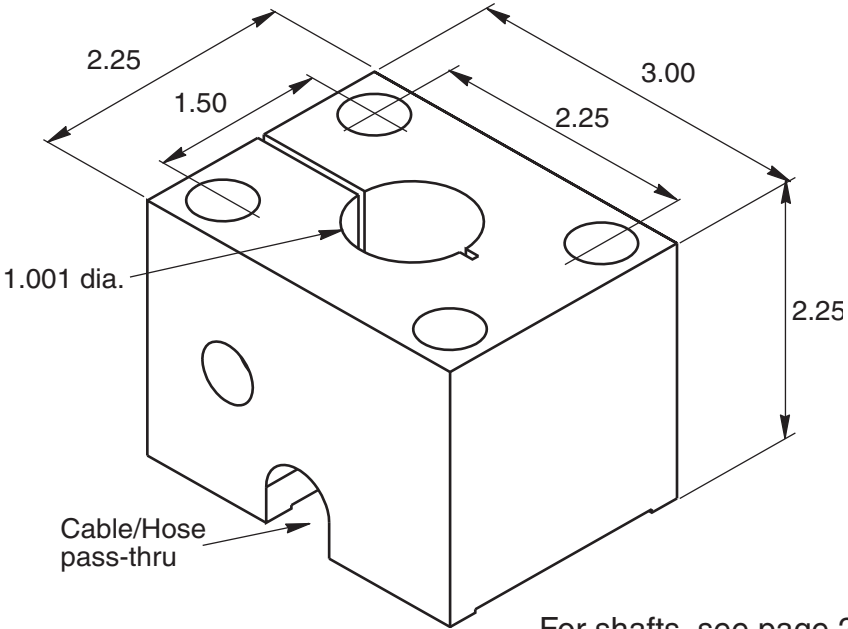
5/16" SLOTS

Single Shaft Base



EB-200	with locking handle
EB-201	with locking 5/16 SHCS

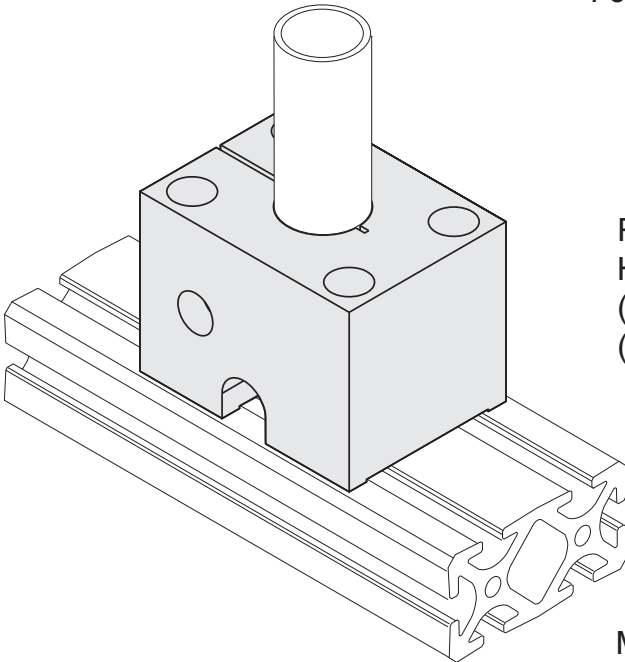
5/16" SLOTS



For shafts, see page 275.

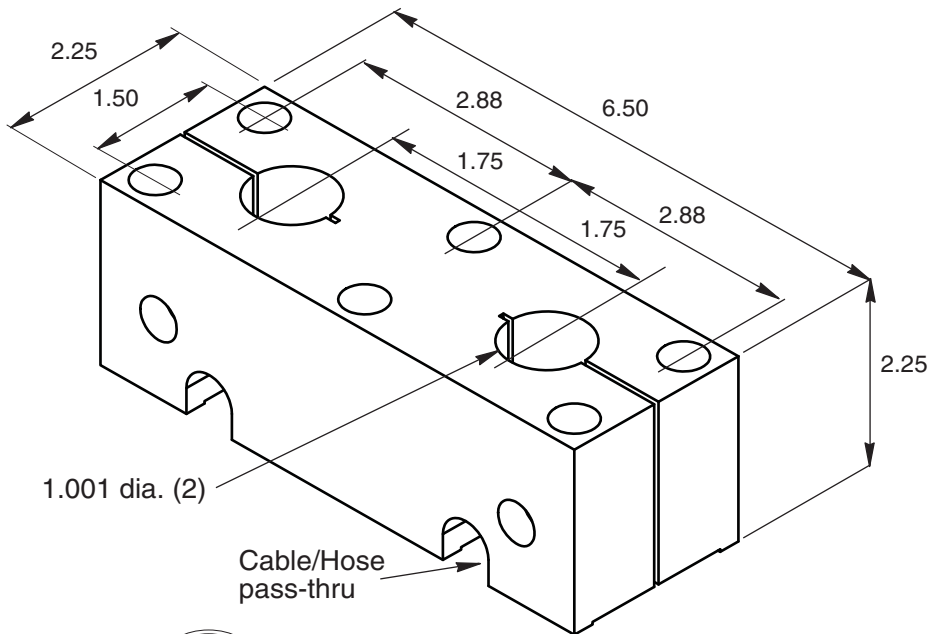
**EX-2, EX-67,
EX-3, EX-37**

Recommended
Hardware
(4) EF-11-1.75 SHCS
(4) EF-55 T-nut



Material - Aluminum
Finish - Clear Anodize

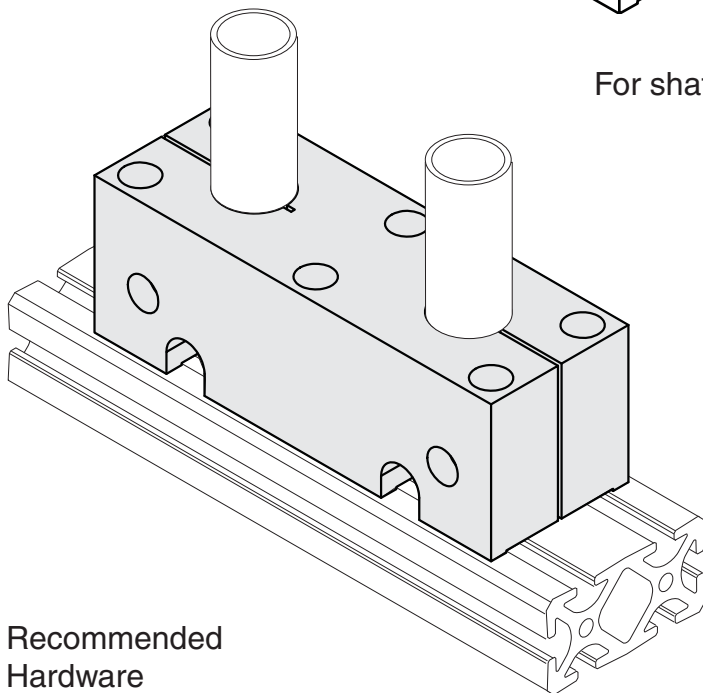
with locking handle	EB-202
with locking 5/16 SHCS	EB-203



5/16" SLOTS

For shafts, see page 275.

**EX-2, EX-67,
EX-3, EX-37**



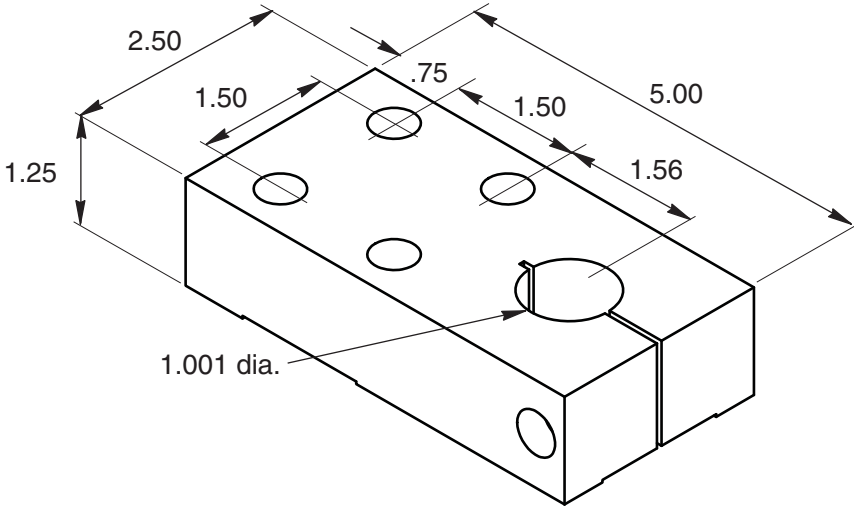
Recommended
Hardware
(6) EF-11-1.75 SHCS
(6) EF-55 T-nut

Material - Aluminum
Finish - Clear Anodize

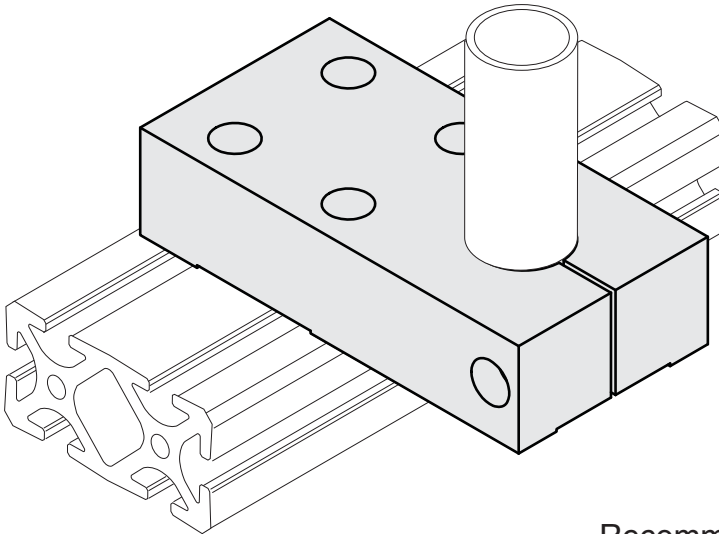
Single Shaft Mounting Plate



EB-204	with locking handle
EB-205	with locking 5/16 SHCS



For shafts, see page 275.



**EX-2, EX-67,
EX-3, EX-37**

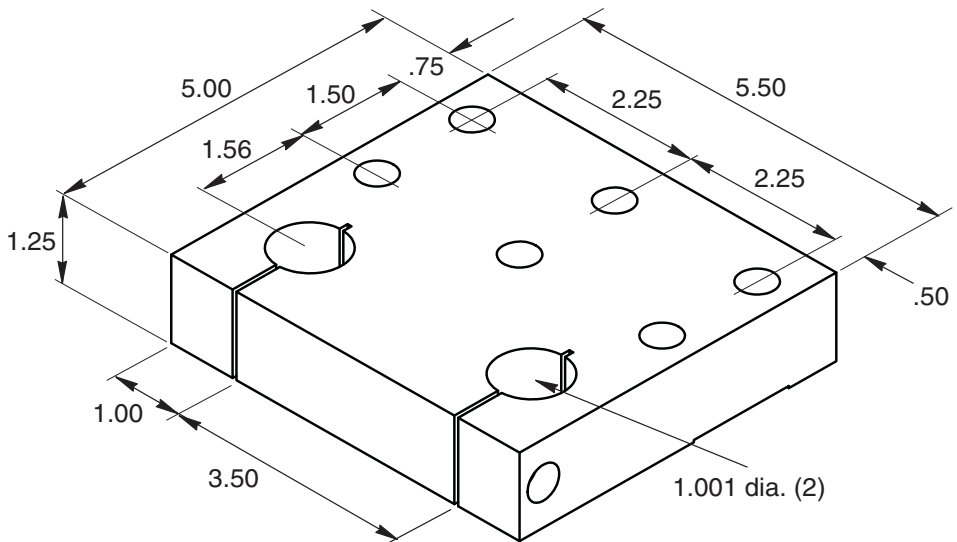
Material - Aluminum
Finish - Clear Anodize

Recommended
Hardware
(4) EF-11-1.0 SHCS
(4) EF-55 T-nut

with locking handle
with locking 5/16 SHCS

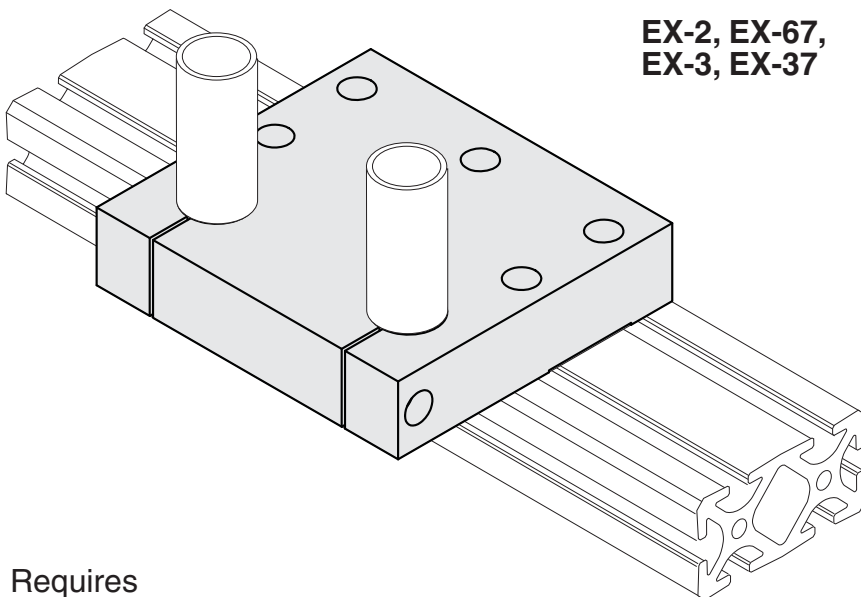
EB-206

EB-207



5/16" SLOTS

For shafts, see page 275.



**EX-2, EX-67,
EX-3, EX-37**

Requires
(6) EF-11-1.0 SHCS
(6) EF-55 T-nut

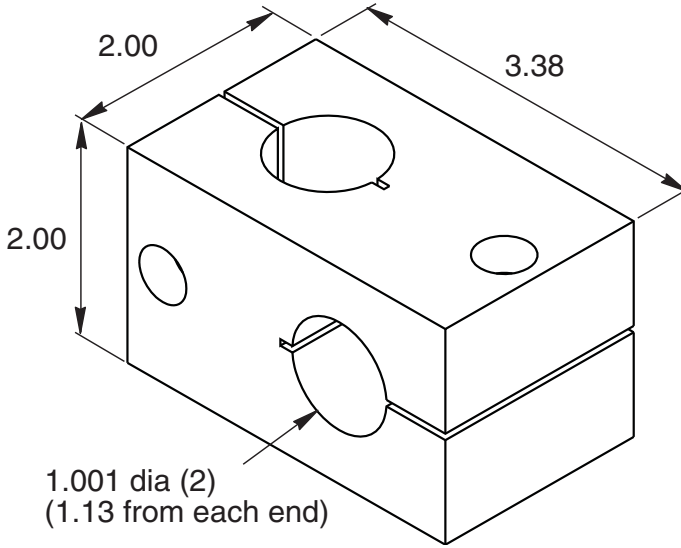
Material - Aluminum
Finish - Clear Anodize

Cross Clamp

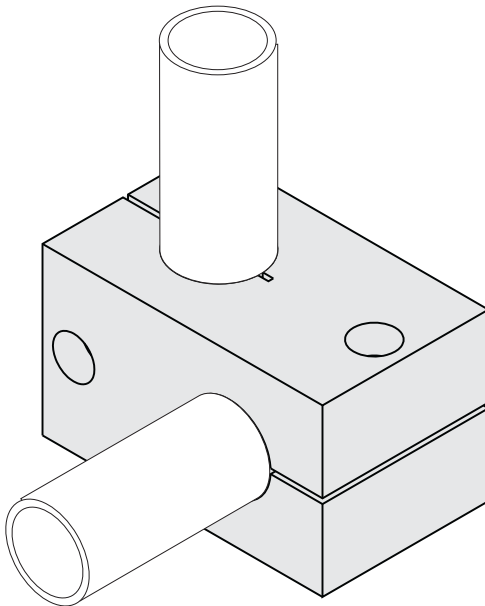


EB-208	with locking handle
EB-209	with locking 5/16 SHCS

5/16" SLOTS

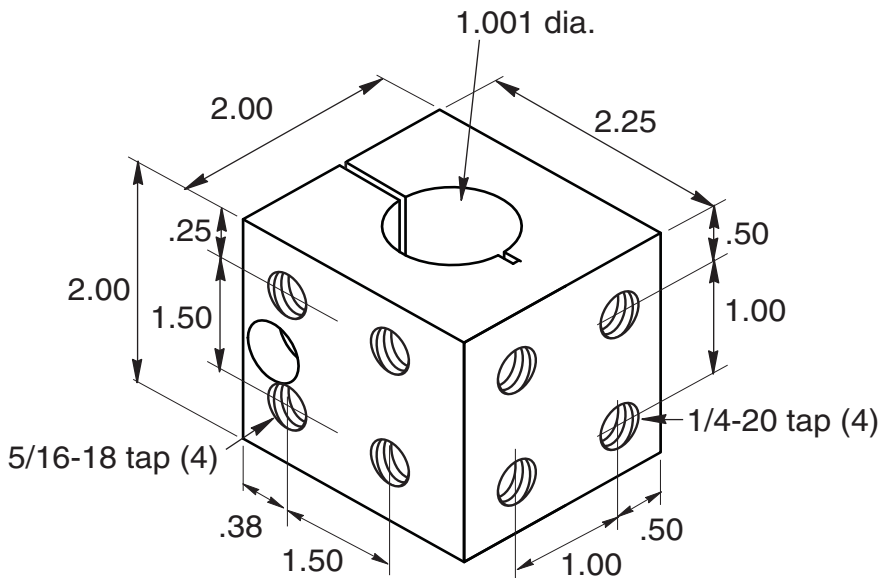


For shafts, see page 275.



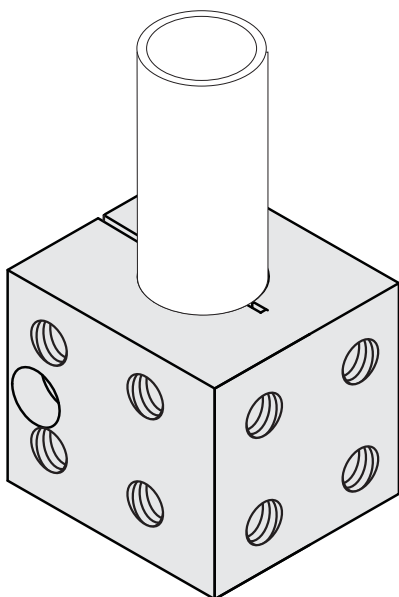
Material - Aluminum
Finish - Clear Anodize

with locking handle	EB-210
with locking 5/16 SHCS	EB-211



5/16" SLOTS

For shafts, see page 275.



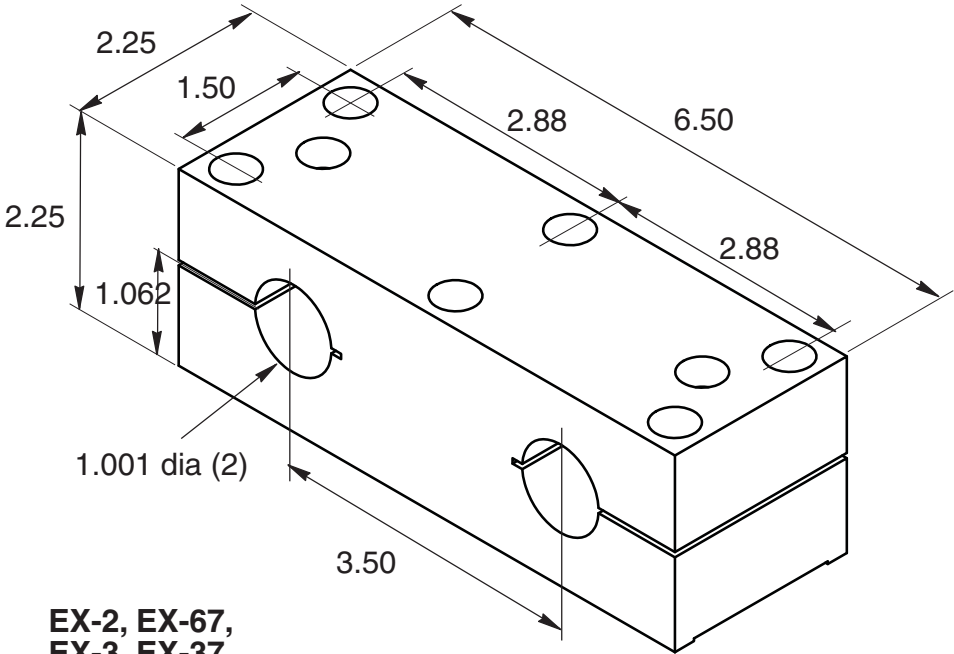
Material - Aluminum
Finish - Clear Anodize

Double Shaft Mounting Block



EB-212	with locking handle
EB-213	with locking 5/16 SHCS

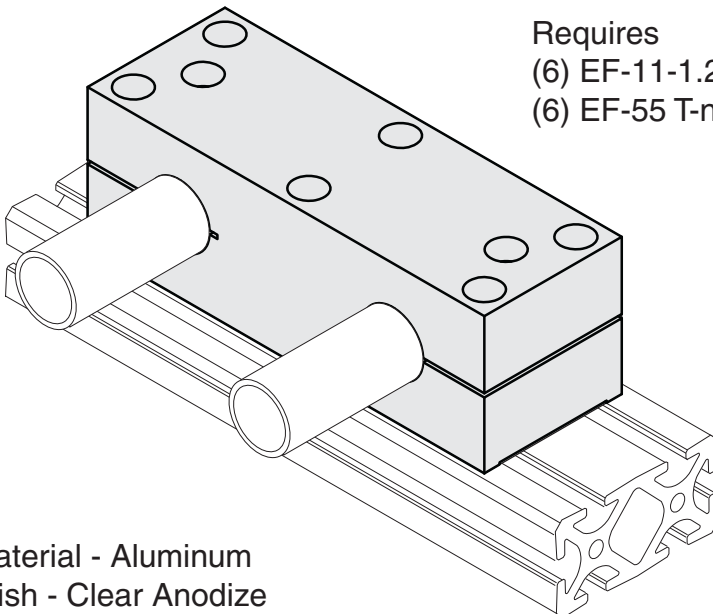
5/16" SLOTS



**EX-2, EX-67,
EX-3, EX-37**

For shafts, see page 275.

Requires
(6) EF-11-1.25 SHCS
(6) EF-55 T-nut

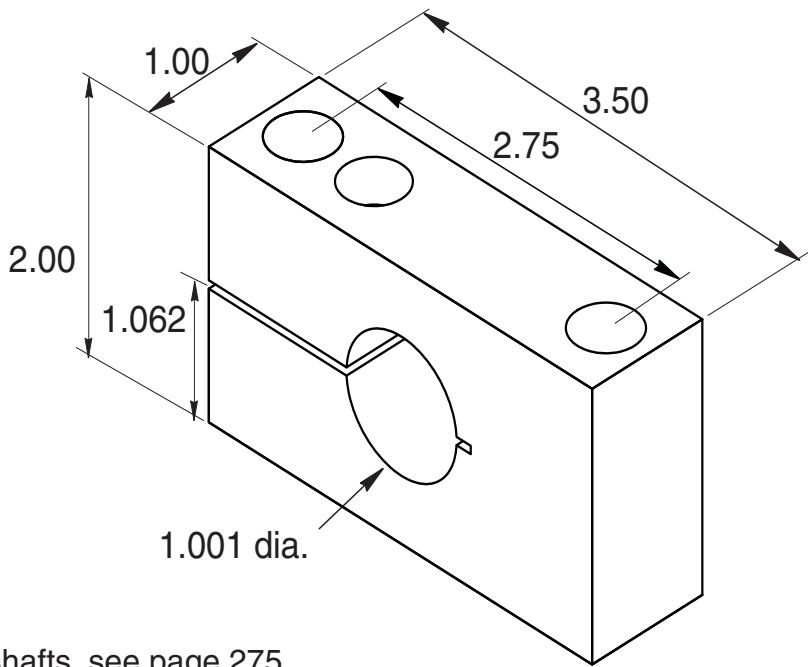


Material - Aluminum
Finish - Clear Anodize

with locking handle
with locking 5/16 SHCS

EB-214

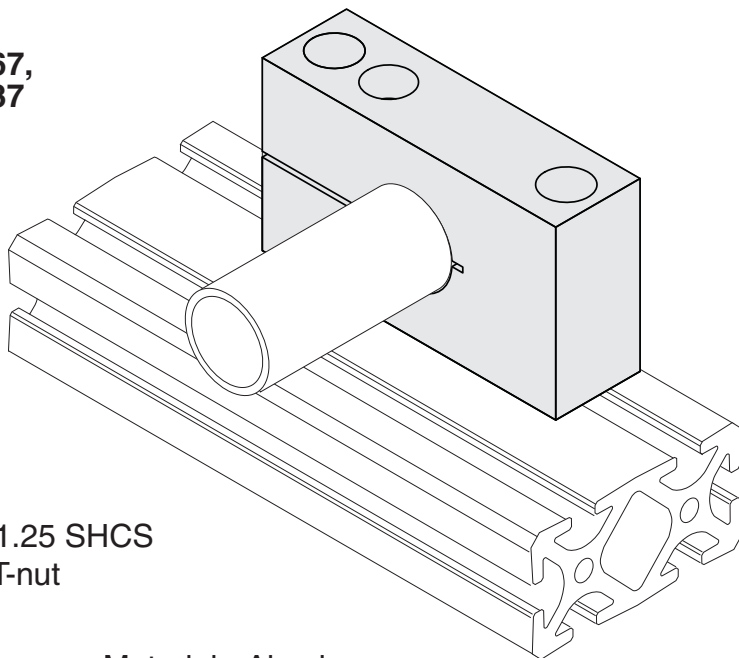
EB-215



5/16" SLOTS

For shafts, see page 275.

**EX-2, EX-67,
EX-3, EX-37**



Requires

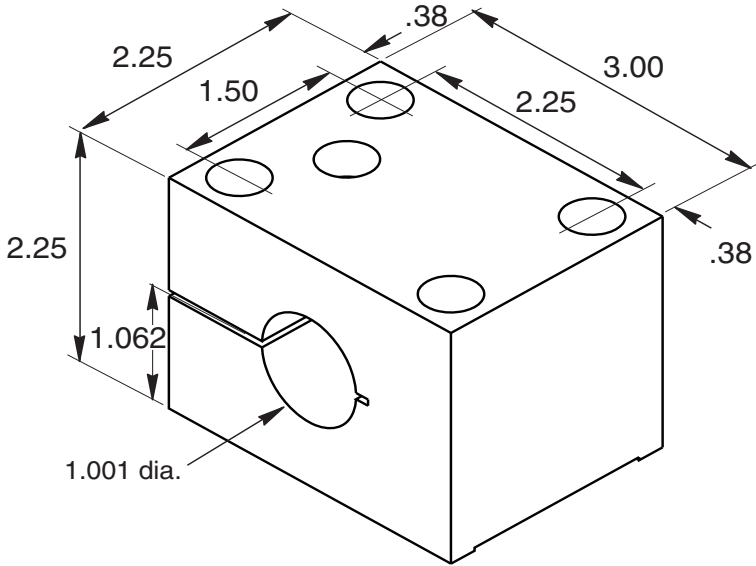
- (2) EF-11-1.25 SHCS
- (2) EF-55 T-nut

Material - Aluminum
Finish - Clear Anodize

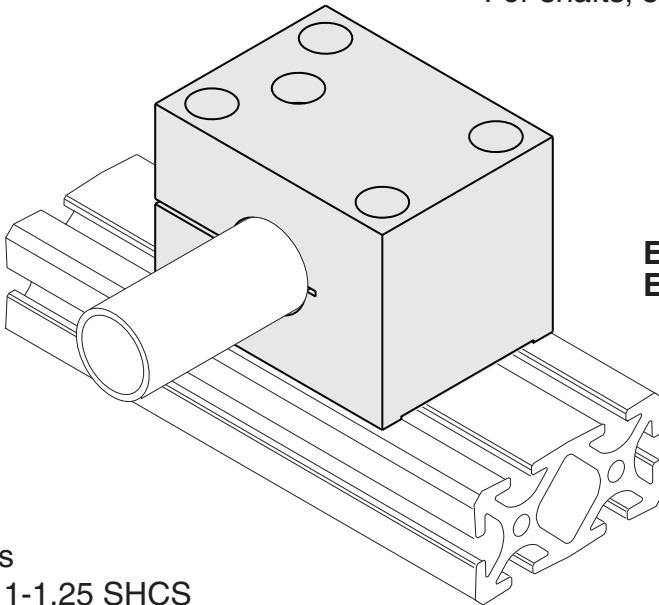
Single Horizontal Base



EB-216	with locking handle
EB-217	with locking 5/16 SHCS



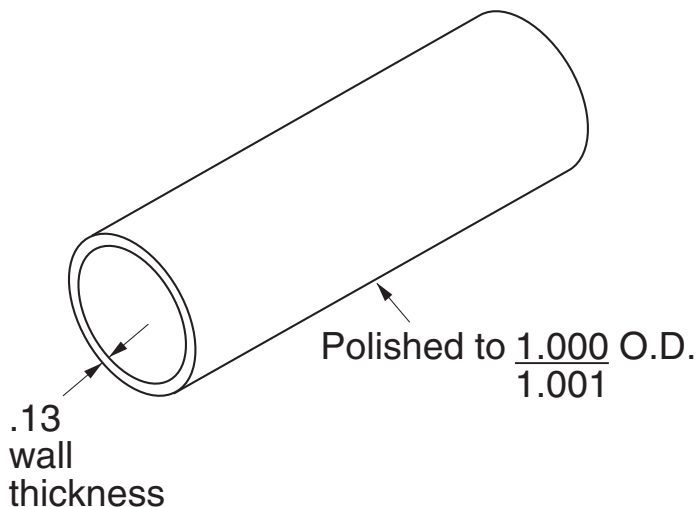
For shafts, see page 275.



**EX-2, EX-67,
EX-3, EX-37**

- Requires
(4) EF-11-1.25 SHCS
(4) EF-55 T-nut

Material - Aluminum
Finish - Clear Anodize

EB-218**EB-219****5/16" SLOTS**

EB-218 Anodized Aluminum
Stock Length = 71"

EB-219 Ground and Polished Steel (DOM)
Stock Length = 71"

Note: For any length other than stock length for all of the above, add EM-1 cutting charge

Conveyor Roller Mounting Block

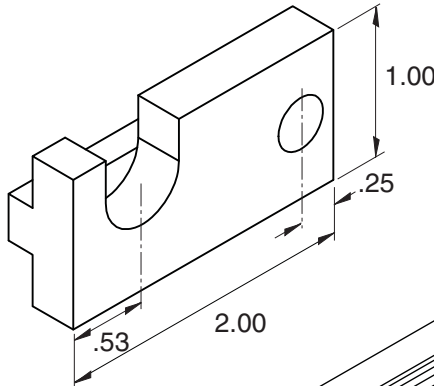


EF-150
EF-151

5/16" profiles

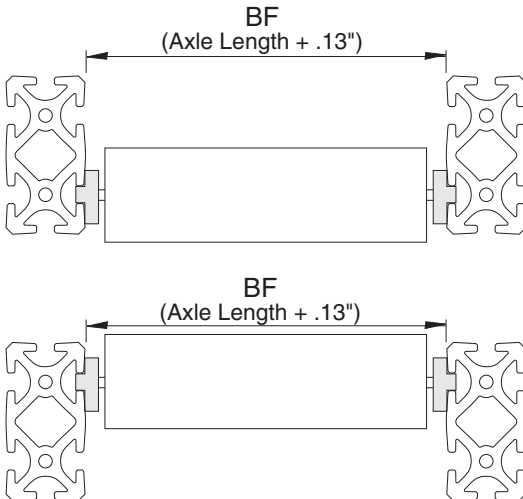
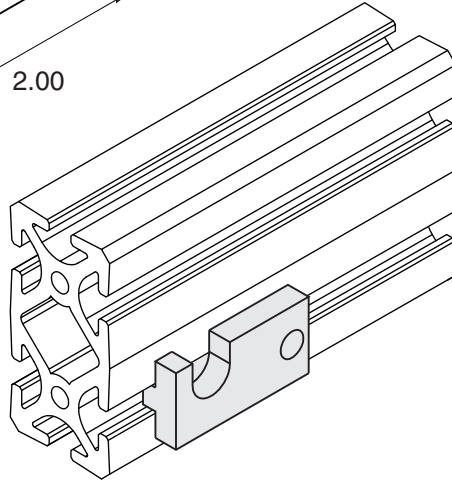
1/4" profiles

5/16" SLOTS



Axle size up to
7/16" hex or 1/2" round
Fasteners Included

Rollers can be put in or taken
out individually without taking
conveyor apart

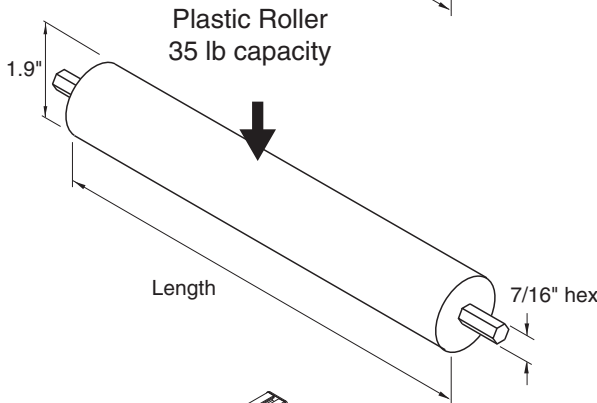
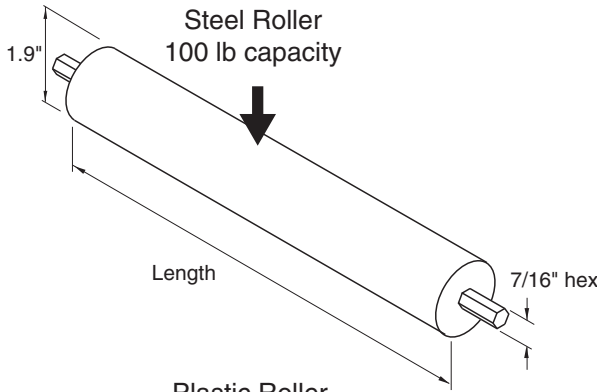


Roller Part no.	BF (Length between frame) Inches
EF-161	14.375
EF-162	20.375
EF-163	26.375
EF-166	14.375
EF-167	20.375
EF-168	26.375

Note: See page 277 for rollers.

Material - Aluminum
Finish - Clear Anodize

EF-160

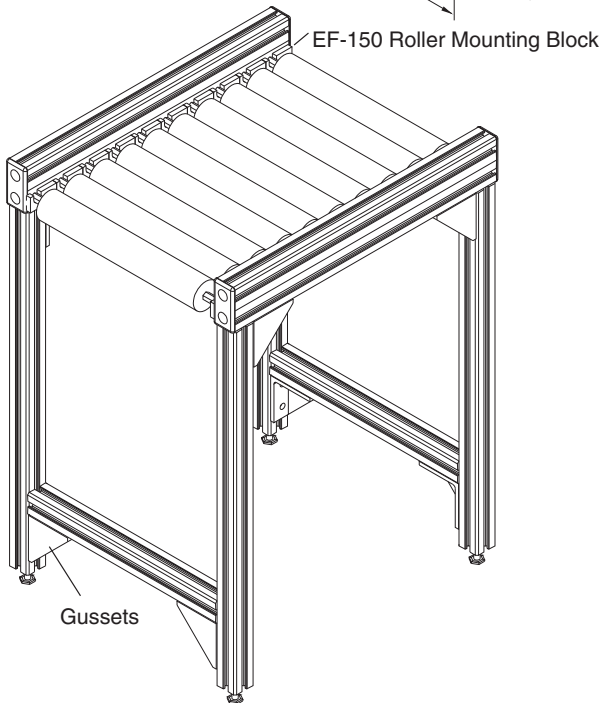


**Steel Rollers
(Mild-uncoated)**

- EF-161** 12.75" long
- EF-162** 18.75" long
- EF-163** 24.75" long

**Plastic Rollers
(PVC)**

- EF-166** 12.75" long
- EF-167** 18.75" long
- EF-168** 24.75" long



Note: Other roller types available, consult factory.

5/16" SLOTS

Socket Head Cap Screw

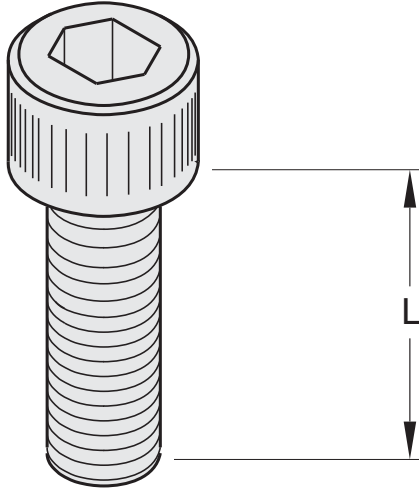


EF-11

Fractional
EF-11 (5/16-18 thd)

L - inch

- .5
- .63
- .75
- .875
- 1.0
- 1.25
- 1.5
- 1.75
- 2.0



Metric
EF-11M (m8 thd)

L - mm

- 12
- 16
- 20
- 25
- 30
- 35

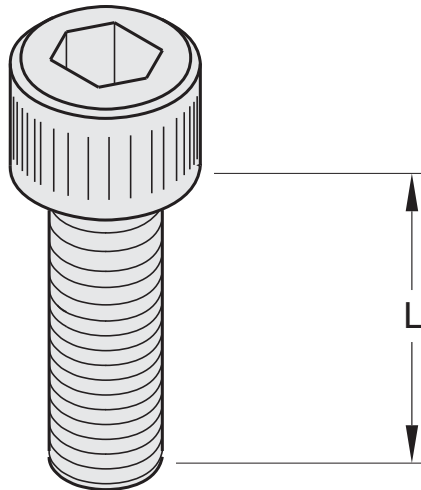
Material - Steel
Finish - Black Oxide Coated

5/16" SLOTS

EF-11SS Stainless Steel

L-inch

- EF-11SS-.5
- EF-11SS-.63
- EF-11SS-.75
- EF-11SS-1.0
- EF-11SS-1.25



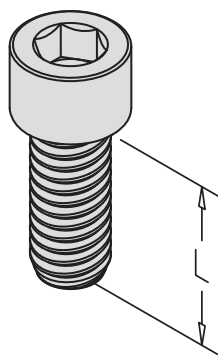
Material - Stainless Steel

Fractional
(5/16" - 18 thd) L = inch

EF-11K-.50
EF-11K-.63
EF-11K-.75
EF-11K-.875
EF-11K-1.00
EF-11K-1.25
EF-11K-1.50

Metric
(M8 x 1.25 thd) L = mm

EF-11MK-12
EF-11MK-16
EF-11MK-20
EF-11MK-25
EF-11MK-30
EF-11MK-35



Material - Steel
Finish - Bright Zinc Plated

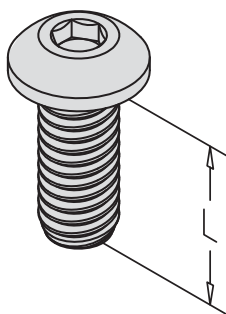
5/16" SLOTS**Button Head** **EF-12K**

Fractional
(5/16" - 18 thd) L = inch

EF-12K-.50
EF-12K-.63
EF-12K-.75
EF-12K-.875
EF-12K-1.00
EF-12K-1.25
EF-12K-1.50

Metric
(M8 x 1.25 thd) L = mm

EF-12MK-12
EF-12MK-16
EF-12MK-20
EF-12MK-25
EF-12MK-30
EF-12MK-35



Material - Steel
Finish - Bright Zinc Plated

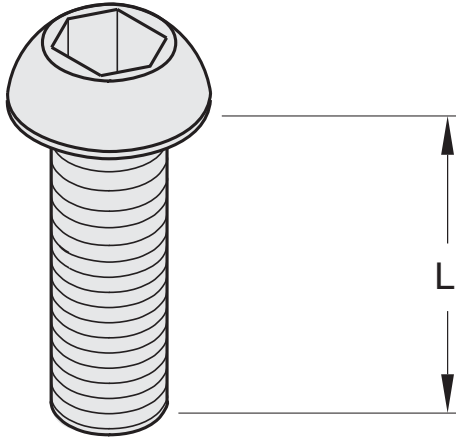
Button Head Cap Screw



EF-12

Fractional
EF-12
(5/16-18 thd)
L - inch

- .5
- .63
- .75
- .875
- 1.0
- 1.25
- 1.5



Metric
EF-12M
(m8 thd)
L - mm

- 12
- 16
- 20
- 25
- 30

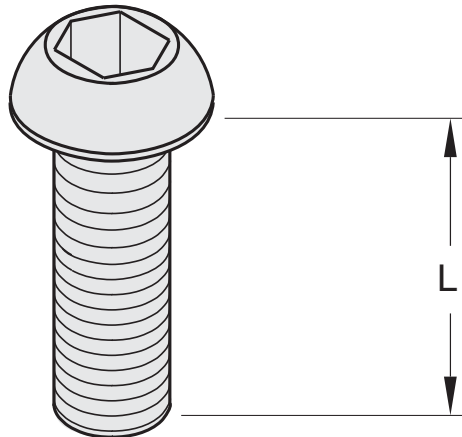
5/16" SLOTS

Material - Steel
Finish - Black Oxide Coated

EF-12SS

Stainless Steel Button Head Cap Screw

L-inch
EF-12SS-.5
EF-12SS-.63
EF-12SS-.75
EF-12SS-1.0
EF-12SS-1.25



Material - Stainless Steel

Flat Head Socket Cap Screws

5/16-18 thd.

EF-156

1/4-20 thd.

EF-157

#10-32 thd.

EF-158

Steel

(5/16" - 18 thd) L = inch

EF-156-.50

EF-156-.63

EF-156-.75

EF-156-.88

EF-156-1.0

EF-156-1.25

(1/4" - 20 thd) L = inch

EF-157-.50

EF-157-.63

EF-157-.75

EF-157-1.0

(#10-32 thd) L = inch

EF-158-.50

EF-158-.63

Stainless Steel

(5/16" - 18 thd) L = inch

EF-156SS-.50

EF-156SS-.63

EF-156SS-.75

(1/4" - 20 thd) L = inch

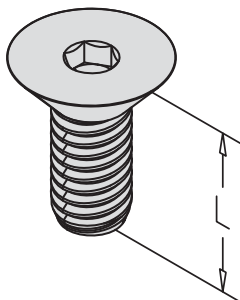
EF-157SS-.50

EF-157SS-.63

(#10-32 thd) L = inch

EF-158SS-.50

EF-158SS-.63



Material - Steel
Finish - Black Oxide

Material - Stainless Steel

Button Head Cap Screw (Flanged)

EF-12F

EF-12F (flanged)

(5/16-18 thd)

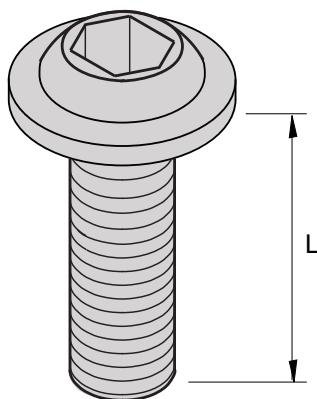
L - inch

.5

.63

.75

1.0

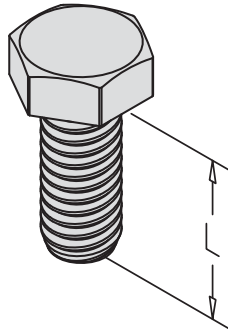


Material - Steel
Finish - Black Oxide Coated

5/16" SLOTS

EF-155

5/16" SLOTS



Fractional
(5/16" - 18 thd) L = inch

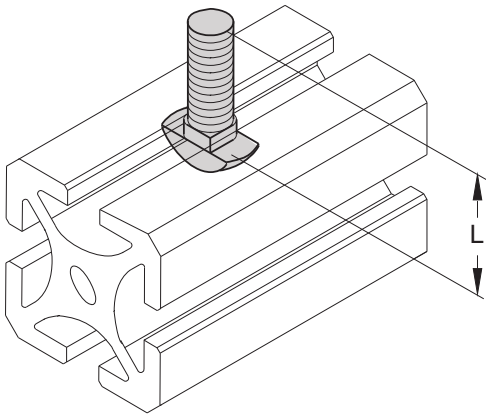
- EF-155-.50**
- EF-155-.63**
- EF-155-.75**
- EF-155-.875**
- EF-155-1.00**
- EF-155-1.25**
- EF-155-1.50**

Material - Steel
Finish - Bright Zinc Plated

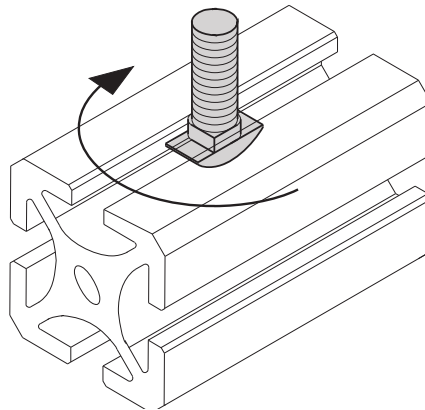
Metric
(M8 x 1.25 thd) L = mm

- EF-155M-12**
- EF-155M-16**
- EF-155M-20**
- EF-155M-25**
- EF-155M-30**

Material - Steel
Finish - Yellow Zinc Plated



- L - inch**
-.75
-1.0
-1.25
-1.50



5/16" SLOTS

Material - Steel
Finish - Zinc Plated

EF-10

Fractional
EF-10 (5/16-18 thd)

Metric
EF-10M (m8 thd)

L - inch

L - mm

.75

20

1.0

25

1.25

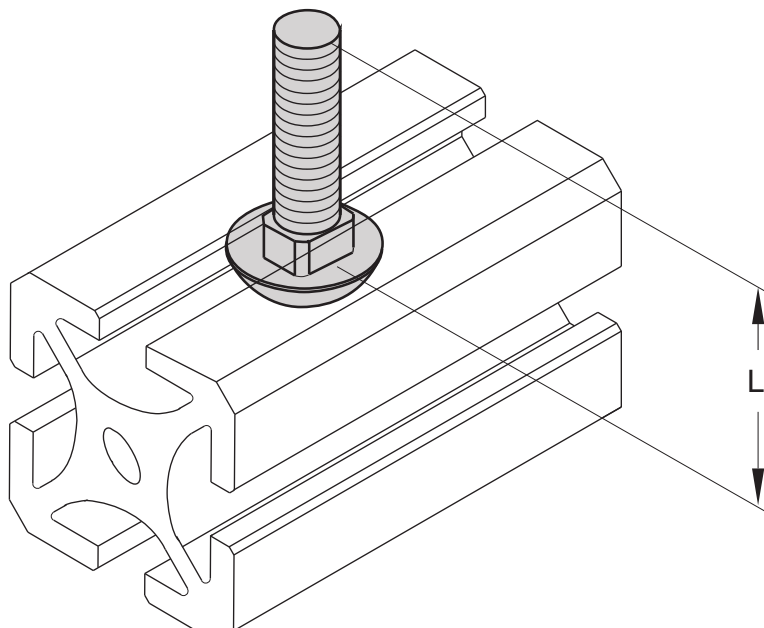
35

1.5

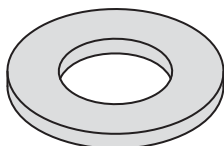
45

2.0

5/16" SLOTS



Material - Steel
Finish - Zinc Plated



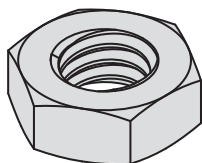
- EF-13A** Washer Hardened Steel Heavy Duty
(Black Oxide) (use with M8 also)
EF-SS13A Washer (Stainless Steel)
EF-13S Washer (Zinc Plated)

Material - Steel



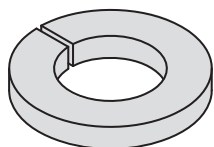
- EF-13B** Serrated Belleville
(use with M8 also)

Material - Steel
Finish - Black Oxide



- EF-13C** 5/16-18 Hex Nut
EF-13CM M8 Hex Nut

Material - Steel
Finish - Zinc Plated

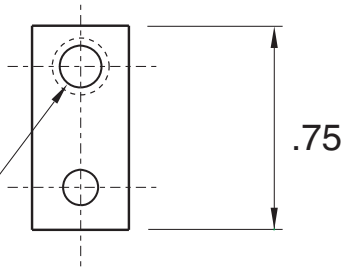
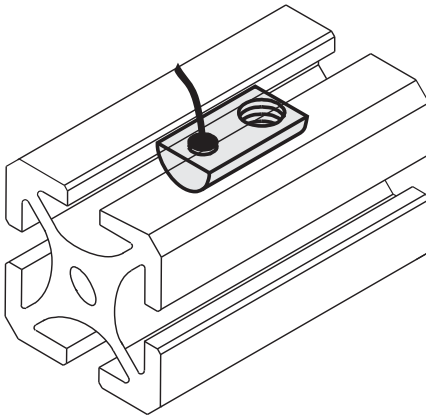


- EF-13L** Locking Washer

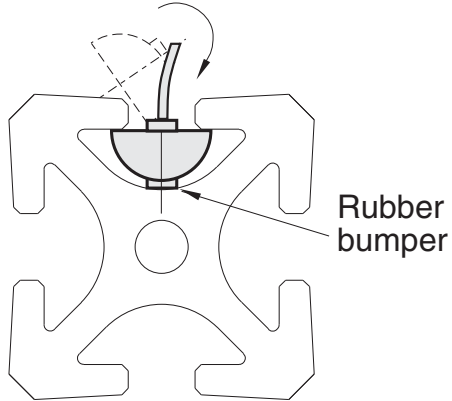
Material - Steel
Finish - Zinc Plated

EF-1

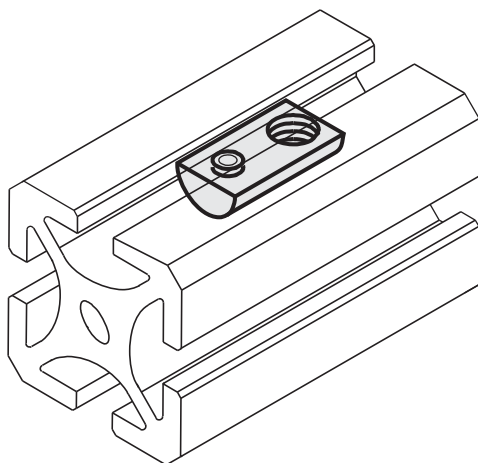
5/16" SLOTS



- EF-1** 5/16-18 thd
- EF-1A** 1/4-20 thd
- EF-1B** 10-32 thd
- EF-1C** m8 thd
- EF-1D** m6 thd
- EF-1E** 8-32 thd



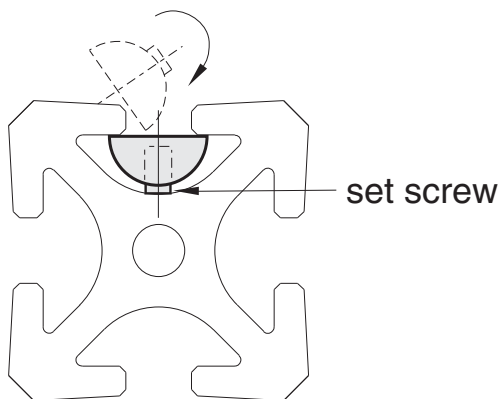
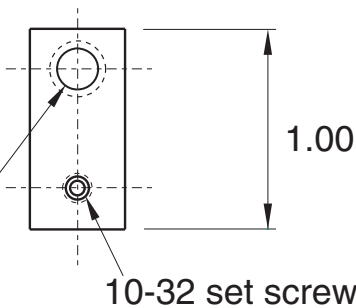
Material - Steel
Finish - Zinc Plated



EF-65
EF-66
EF-67
EF-68
EF-69

5/16" SLOTS

- EF-65** 5/16-18 thd
- EF-66** 1/4-20 thd
- EF-67** 10-32 thd
- EF-68** m8 thd
- EF-69** m6 thd



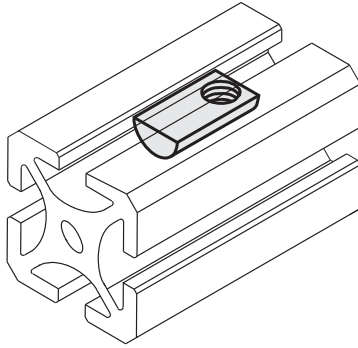
Material - Steel
Finish - Zinc Plated

Ball and Spring Pivot T-nut



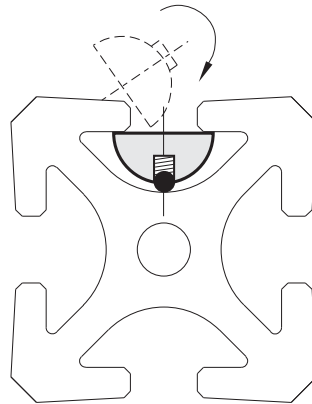
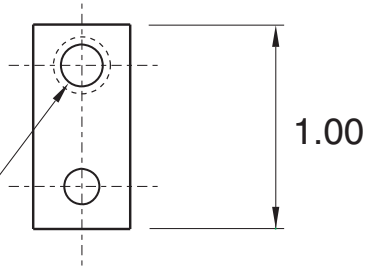
EF-91
EF-92
EF-93
EF-94
EF-95

use with EX-1, EX-2, EX-26,
EX-3, and EX-36 only

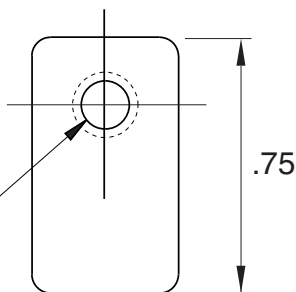
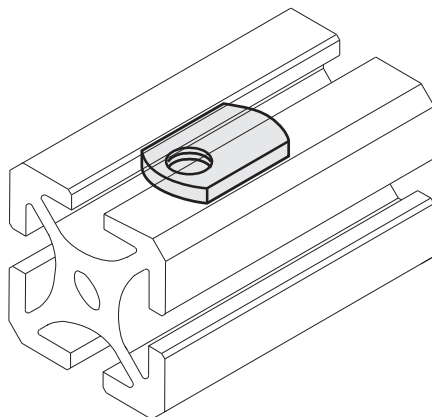


5/16" SLOTS

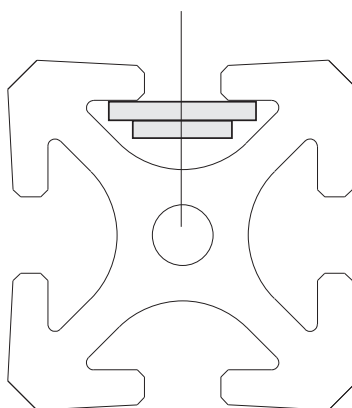
- EF-91** 5/16-18 thd
- EF-92** 1/4-20 thd
- EF-93** 10-32 thd
- EF-94** m8 thd
- EF-95** m6 thd



Material - Steel
Finish - Zinc Plated



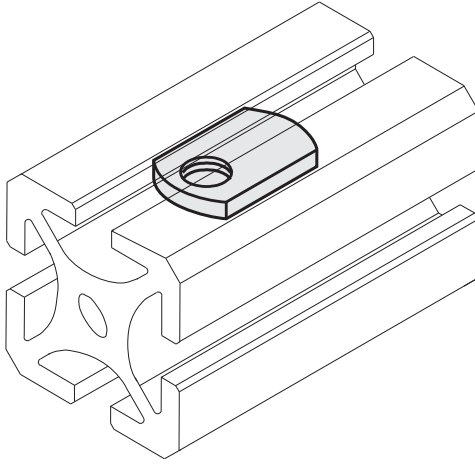
- EF-2** 5/16-18 thd
- EF-2A** 1/4-20 thd
- EF-2B** 10-32 thd
- EF-2C** m8 thd
- EF-2E** m6 thd
- EF-2H** 6-32 thd
- 11-217** 8-32 thd



Material - Steel
Finish - Zinc Plated

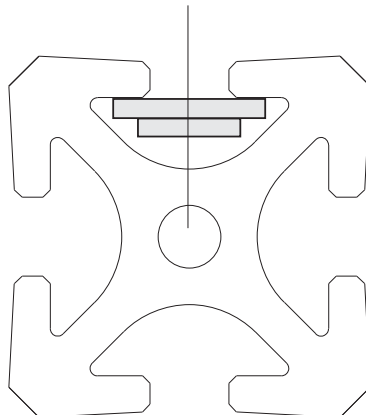
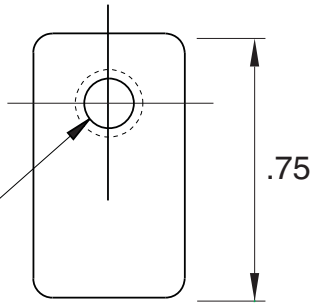
EF-2ST
EF-2AST
EF-2CST

5/16" SLOTS

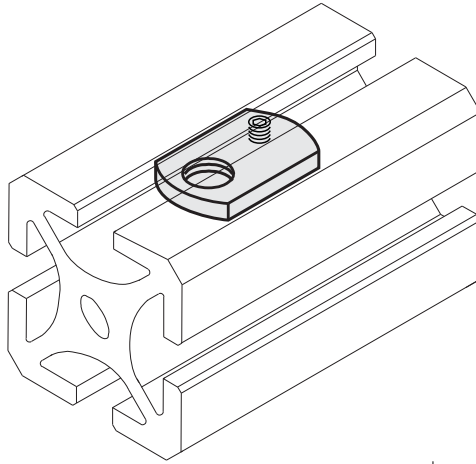


EF-2ST
EF-2AST
EF-2CST

5/16-18 thd
1/4-20 thd
m8 thd

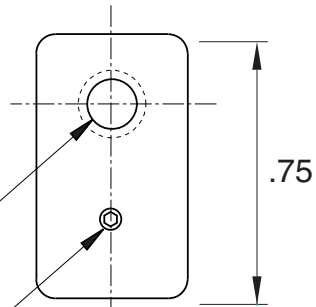


EF-50
EF-51
EF-52



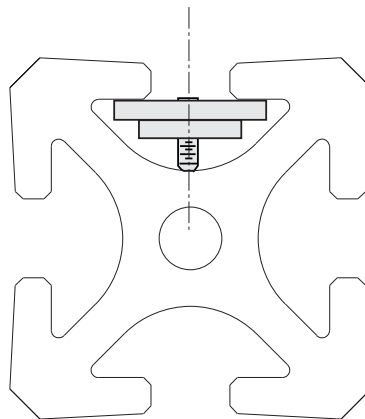
5/16" SLOTS

- EF-50** 5/16-18 thd
- EF-51** 1/4-20 thd
- EF-52** m8 thd



set screw
(included)

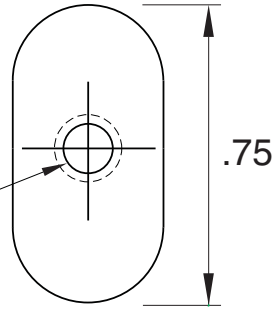
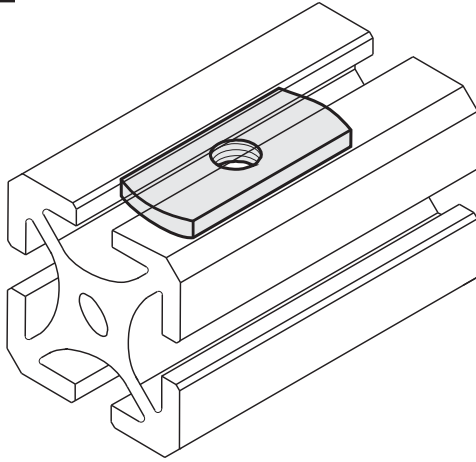
Set screw holds
T-nut in place



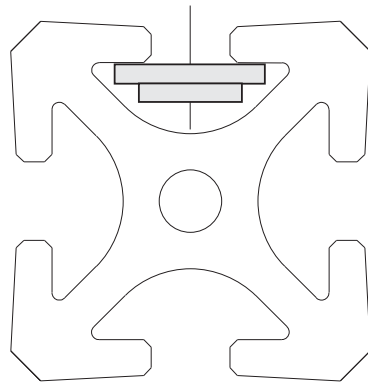
Material - Steel
Finish - Zinc Plated

EF-4

5/16" SLOTS

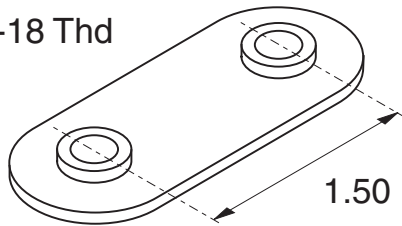


- EF-4** 5/16-18 thd
- EF-4A** 1/4-20 thd
- EF-4B** 10-32 thd
- EF-4C** m8 thd
- EF-4D** m6 thd
- 11-217** 8-32 thd
- 11-219** 6-32 thd

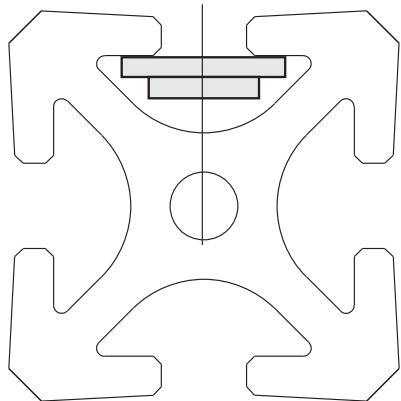
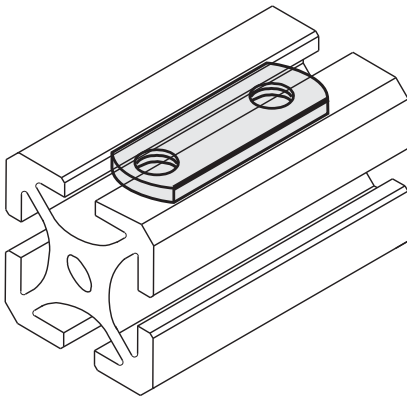


Material - Steel
Finish - Zinc Plated

5/16-18 Thd



5/16" SLOTS



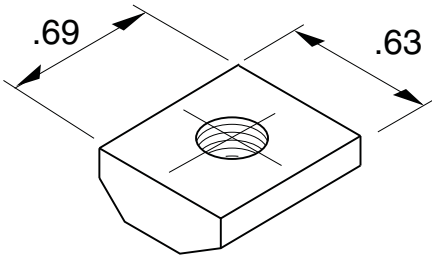
Material - Steel
Finish - Zinc Plated

Heavy Duty T-nut



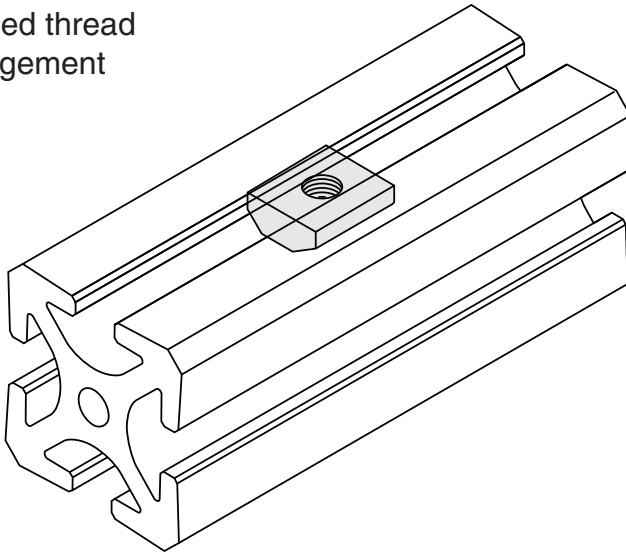
EF-55	.33 Slot Width
EF-56	
EF-57	
EF-58	
EF-59	
EF-83	
EF-84	

5/16" SLOTS



- EF-55** 5/16-18 thd
- EF-56** 1/4-20 thd
- EF-57** 10-32 thd
- EF-58** m8 thd
- EF-59** m6 thd
- EF-83** 8-32 thd
- EF-84** 6-32 thd

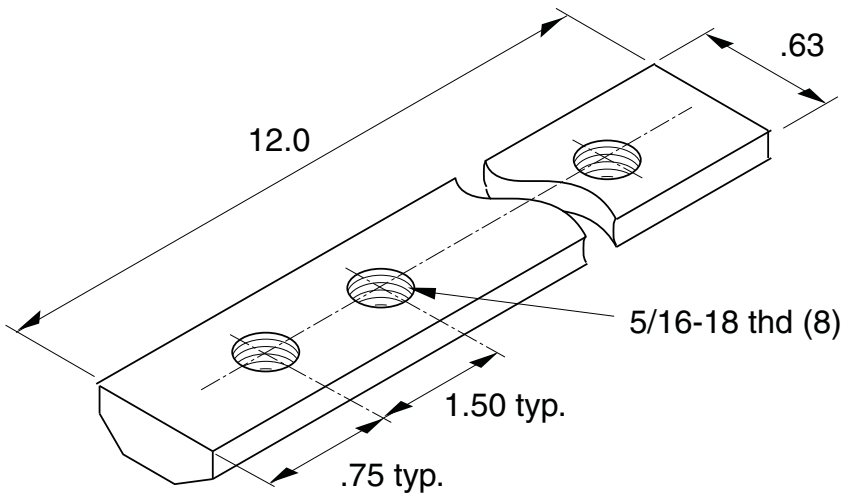
Note: Provides increased thread engagement



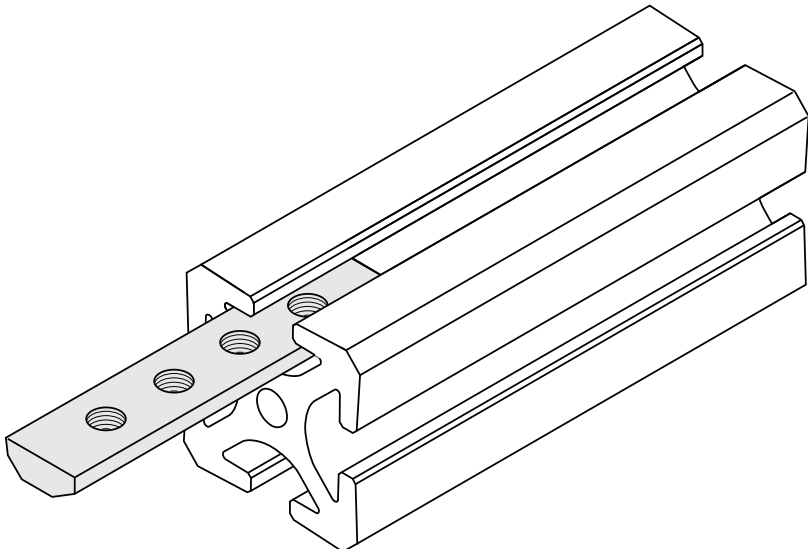
Material - Steel
Finish - Zinc Plated

.33 Slot Width

EF-53



5/16" SLOTS



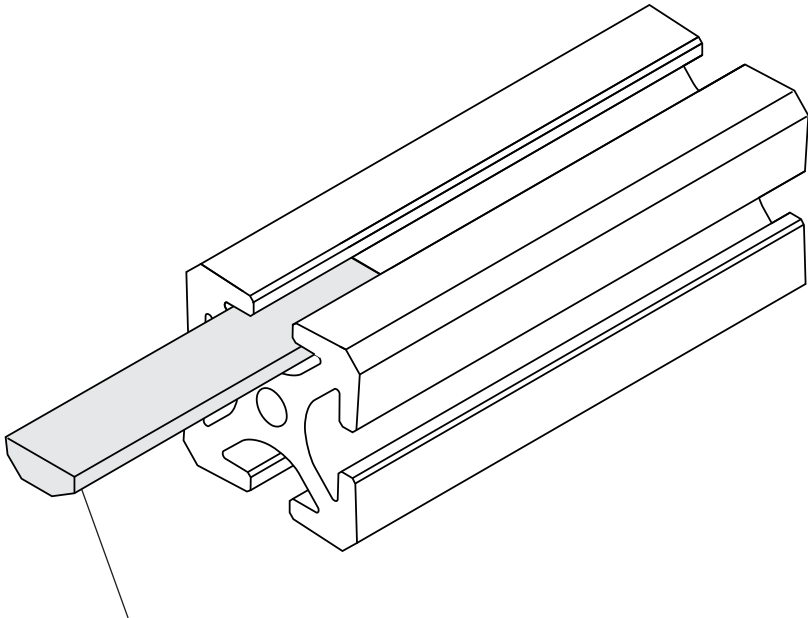
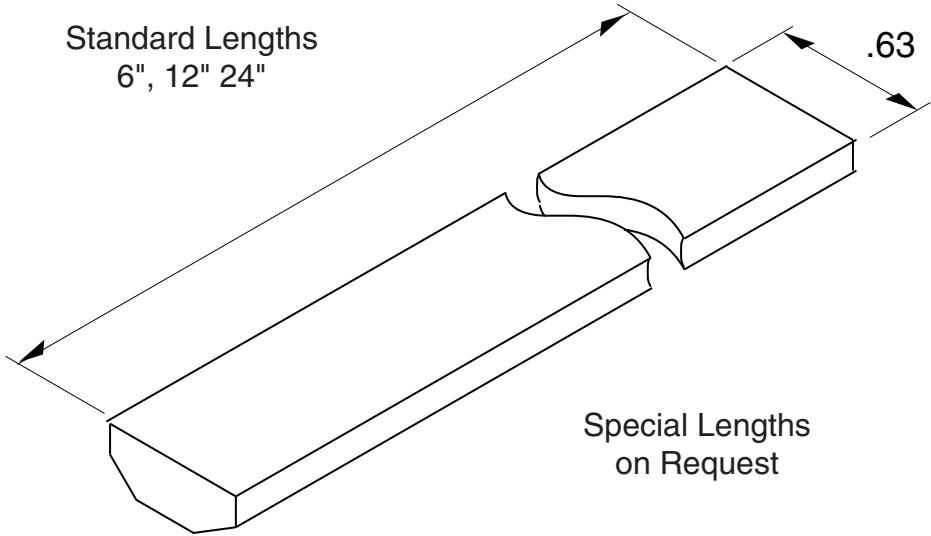
Special lengths can be provided on request

Material - Steel
Finish - Zinc Plated

EF-53B

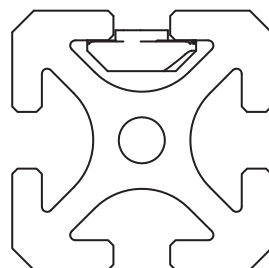
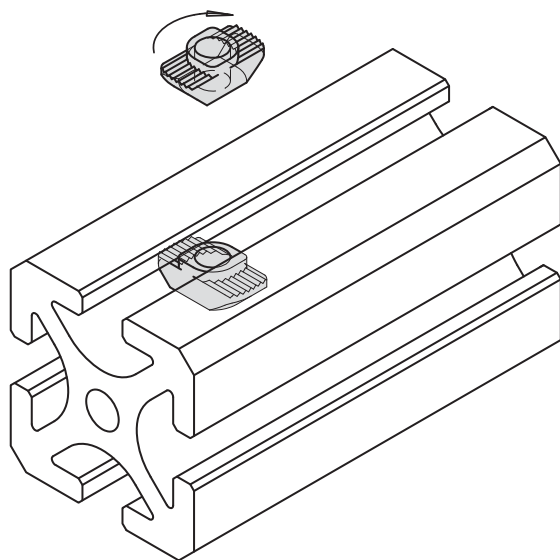
5/16" SLOTS

Standard Lengths
6", 12" 24"

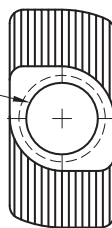


Note: Factory supplied tapped holes
can be supplied per customer specification

Material - Steel
Finish - Zinc Plated



- EF-96** 1/4-20 thd.
- EF-97** 10-32 thd.
- EF-98** m6 thd.
- EF-99** m5 thd.



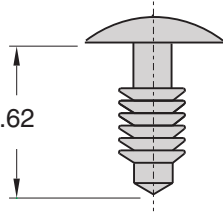
Use with 5/16" Slot Extrusions Only

Material - Steel
Finish - Zinc Plated

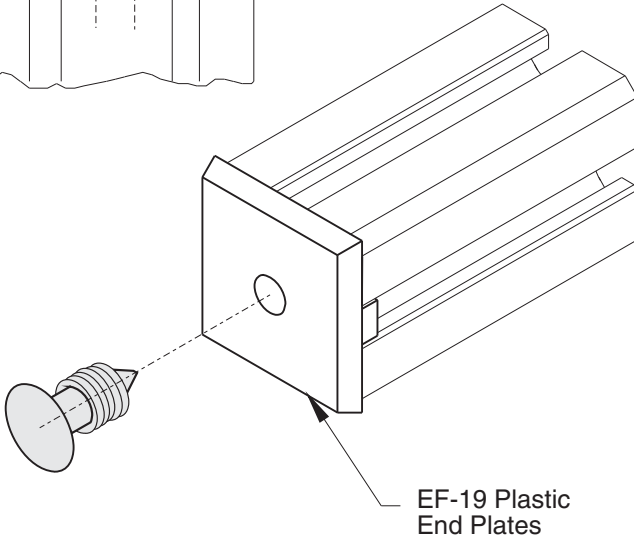
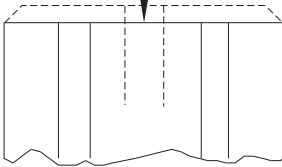
5/16" SLOTS

EF-14

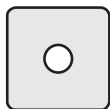
5/16" SLOTS



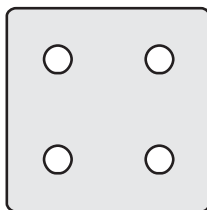
Note: Hole can be threaded for permanent installation



Material - Nylon

**EF-19-A**

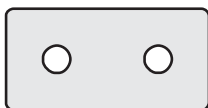
use with EX-1,
EX-6, EX-61,
EX-63, EX-64,
and EX-65

**EF-19-C**

use with EX-3,
and EX-36

**EF-19-D**

use with EX-7

**EF-19-B**

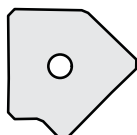
use with EX-2,
EX-67 and EX 68

**EF-19-E**

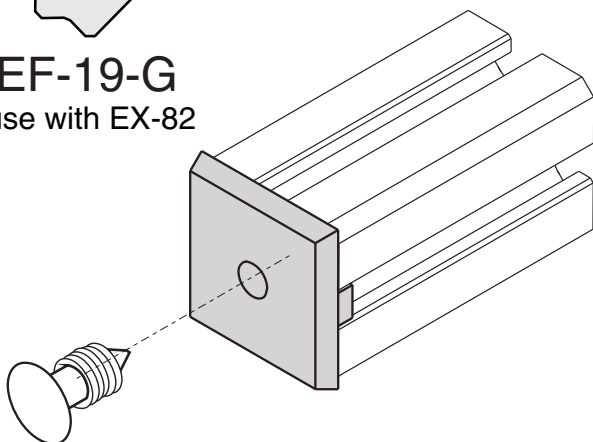
use with EX-52,
and 11-251

**EF-19-F**

use with EX-8

**EF-19-G**

use with EX-82



Push Lock Fasteners included with ALL end plates

Material - Black ABS Plastic

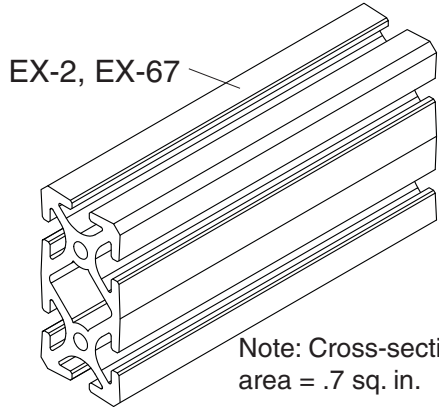
Note: for metal covers, consult the factory.

Pneumatic Manifold End Plate and Gasket

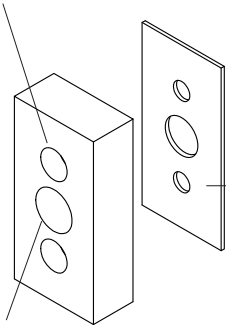


PM-2

PM-2



Drilled and C'bored
for 5/16-18 SHCS (2)

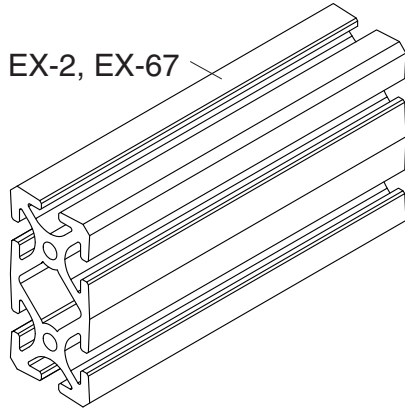


Note: Cross-sectional internal
area = .7 sq. in.

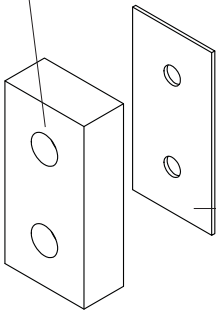
Cork Gasket Included

3/8 NPT

PM-2B



Drilled and C'bored
for 5/16-18 SHCS (2)



Note: Cross-sectional internal
area = .7 sq. in.

Cork Gasket Included

Note: tap extrusion holes
5/16-18 thread

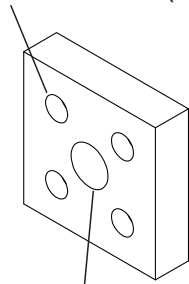
Recommended Hardware
(2) EF-11-1.0

5/16" SLOTS

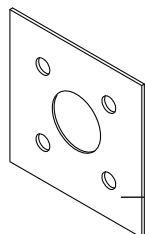
PM-3

PM-3

Drilled and C'bored
for 5/16-18 SHCS (4)

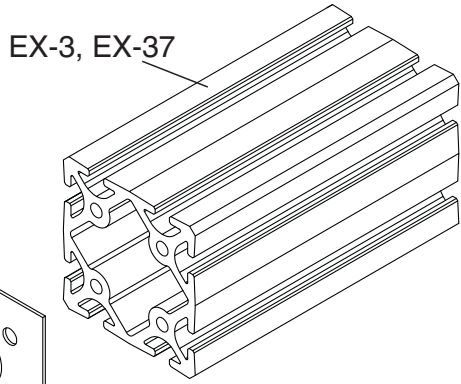


1/2 NPT



Cork Gasket Included

Note: Cross-sectional internal
area = 3.5 sq. in.

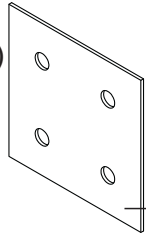
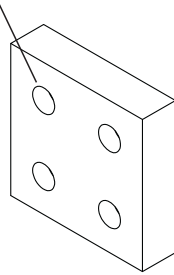


EX-3, EX-37

5/16" SLOTS

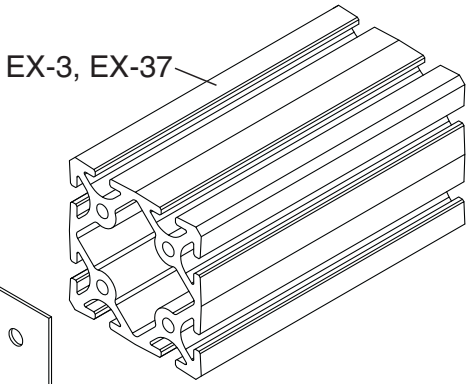
PM-3B

Drilled and C'bored
for 5/16-18 SHCS (4)



Cork Gasket Included

Note: Cross-sectional internal
area = 3.5 sq. in.



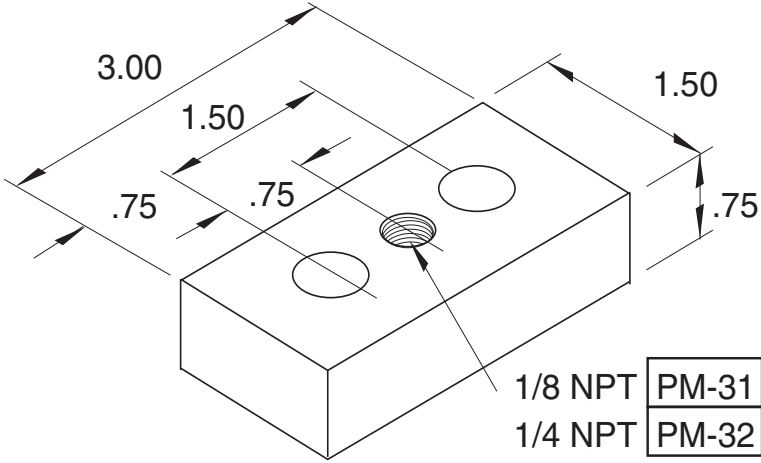
EX-3, EX-37

Recommended Hardware
(4) EF-11-1.0

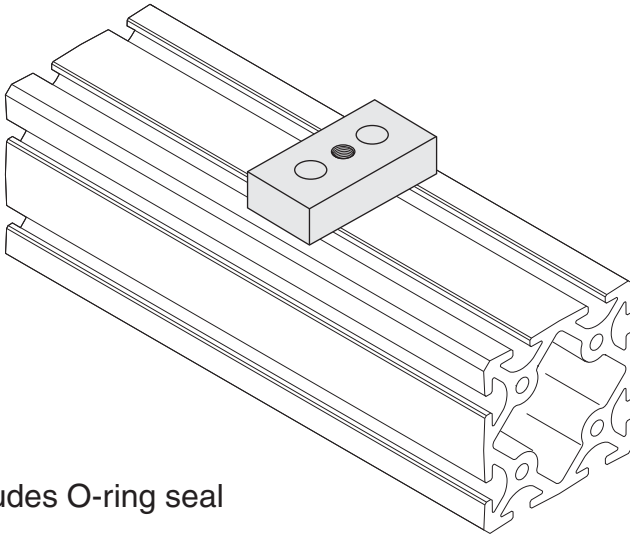
Pressure Manifold Plate



PM-31
PM-32



5/16" SLOTS

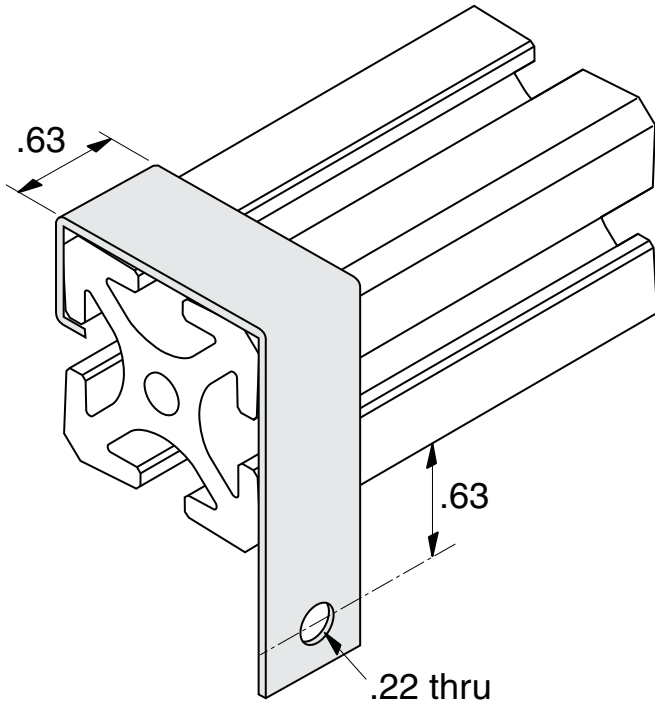


includes O-ring seal

Recommended Hardware

- (2) EF-11-.875 SHCS
- (2) EF-2 T-nuts

Material - Aluminum
Finish - Clear Anodize

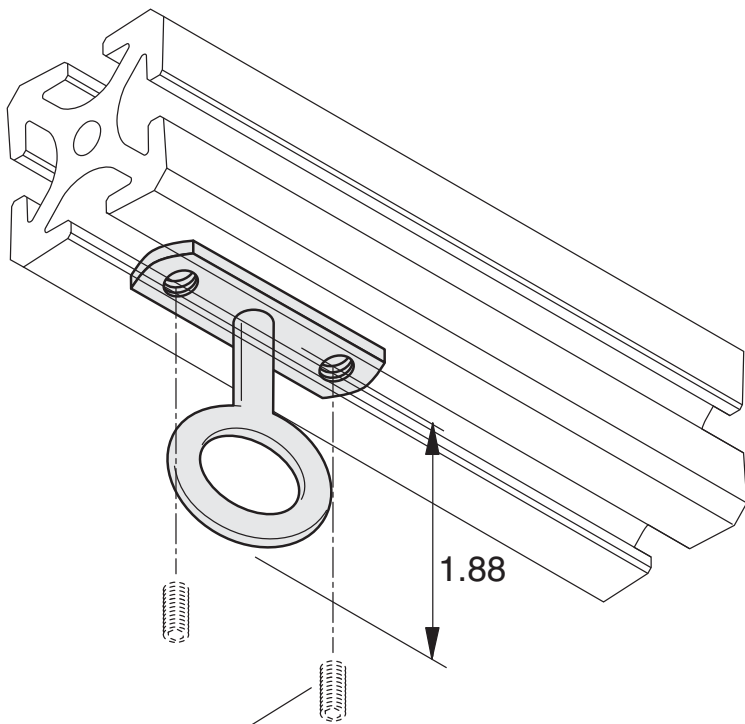


5/16" SLOTS

Material
Zinc Plated Steel

ETH

5/16" SLOTS



Can be locked in place with
5/16-18 set screws

Max. load 40 lbs

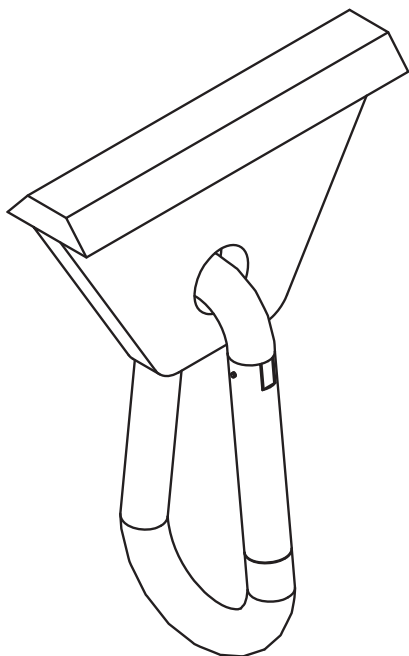
Material - Steel
Finish - Zinc Plated

without Snap Hook

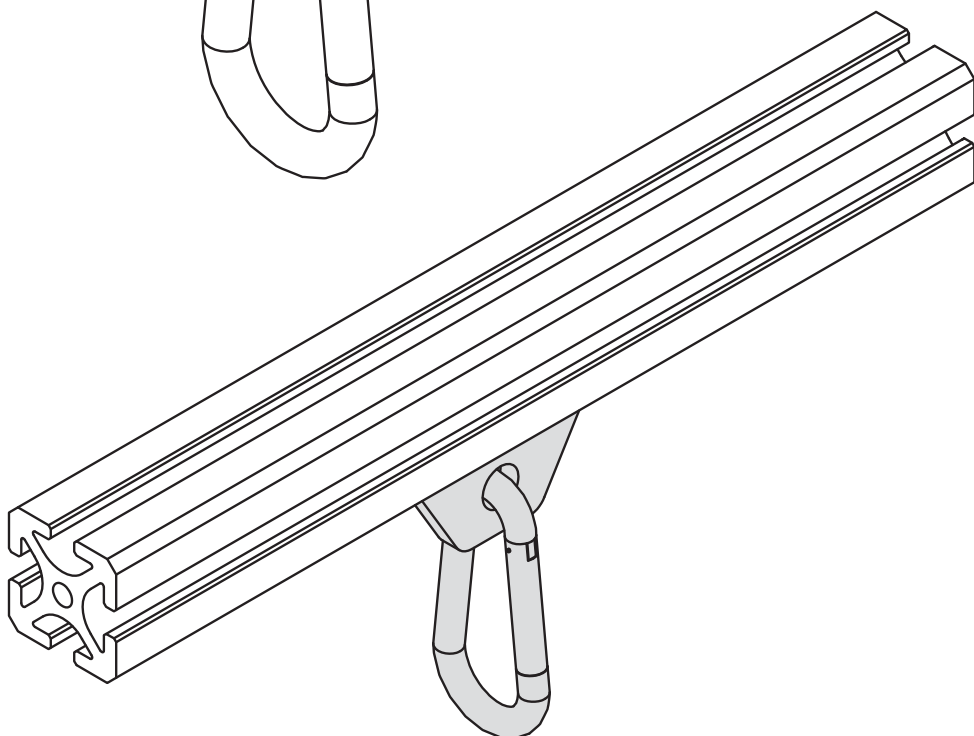
EF-146

with Snap Hook

EF-146A



Maximum Load 25 lbs



5/16" SLOTS

Material

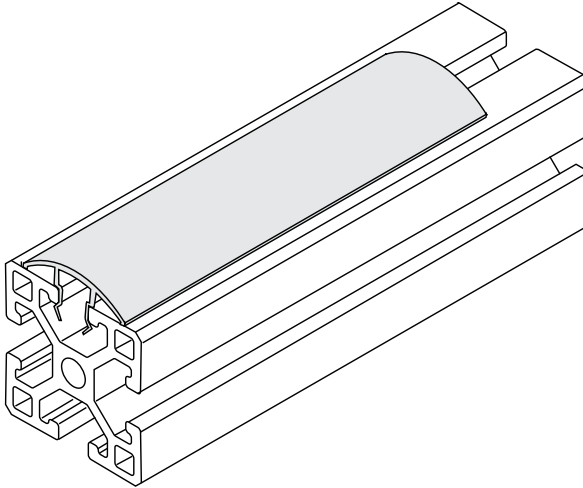
Hanger - Rigid Nylon

Hook - Zinc Plated Steel

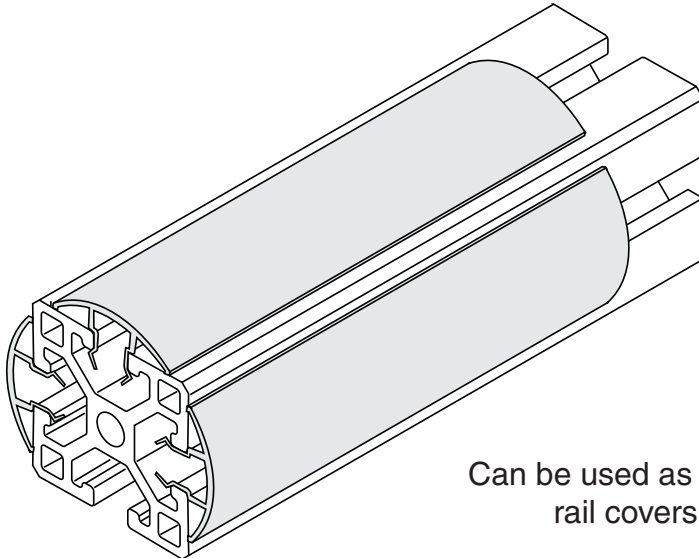
EF-28

use on all 5/16" slot extrusions
with 1.5" sides

5/16" SLOTS



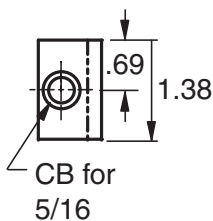
Standard length 72"



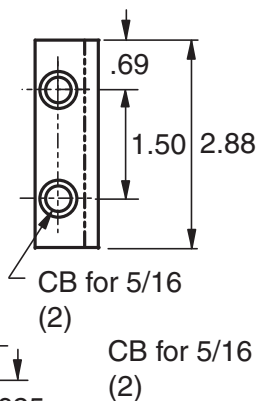
Can be used as hand-
rail covers

Material - Rigid PVC
Color - Black

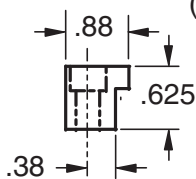
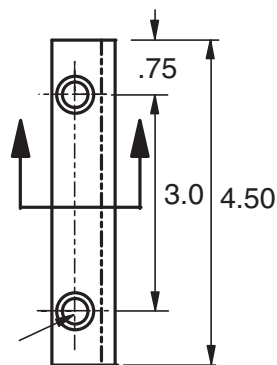
EF-30A



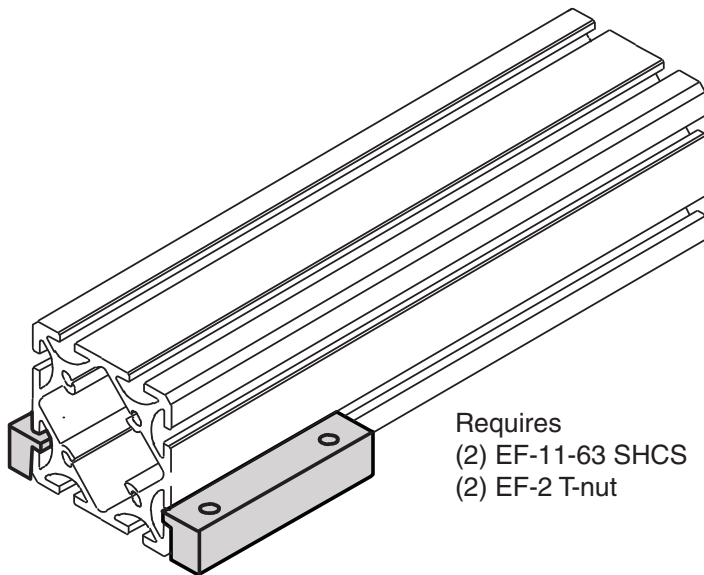
EF-30B



EF-30C



5/16" SLOTS

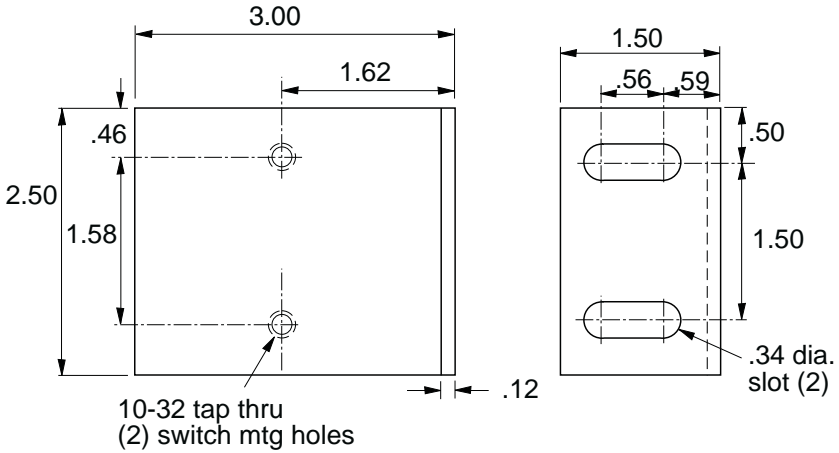


Requires
(2) EF-11-63 SHCS
(2) EF-2 T-nut

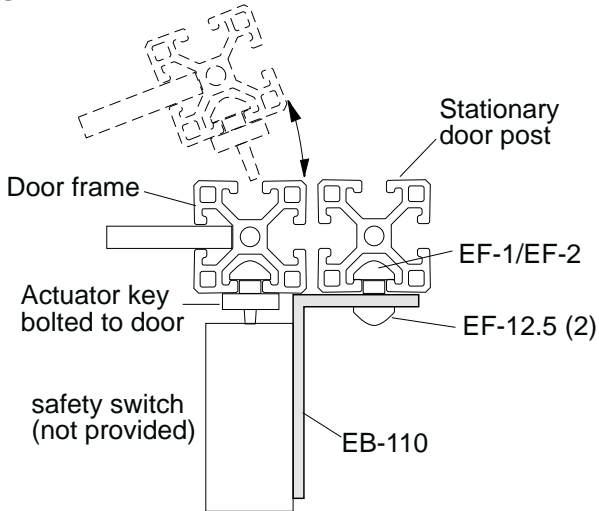
Material - Aluminum
Finish - Clear Anodize

EB-110

5/16" SLOTS

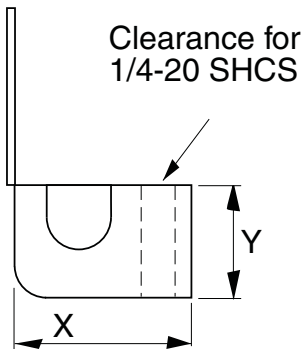


- Requires
(2) EF-12.5 BHCS
(2) EF-2 T-nut



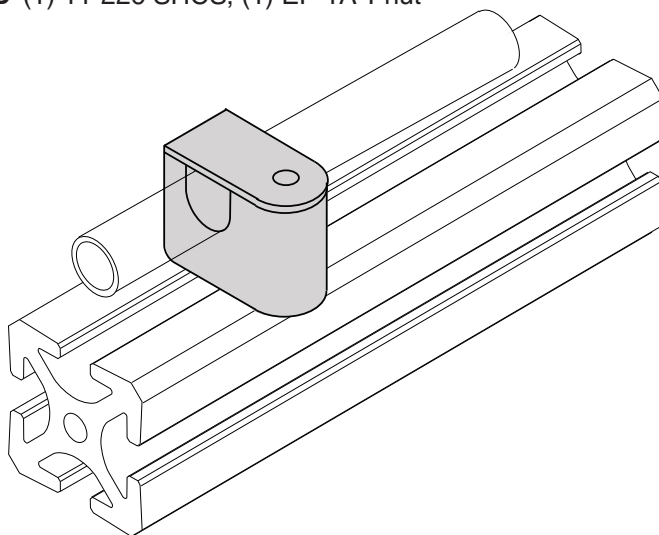
Material - Aluminum
Finish - Clear Anodize

	Tubing Size	X	Y
EF-42A	3/8"	1.06	.56
EF-42B	1/2"	1.38	.88
EF-42C	3/4"	1.63	1.19
EF-42D	1"	1.69	1.19



Hardware Required:

- EF-42A** (1) 11-224 SHCS, (1) EF-1A T-nut
- EF-42B** (1) 11-225 SHCS, (1) EF-1A T-nut
- EF-42C** (1) 11-226 SHCS, (1) EF-1A T-nut
- EF-42D** (1) 11-226 SHCS, (1) EF-1A T-nut



Material - Polypropylene

5/16" SLOTS

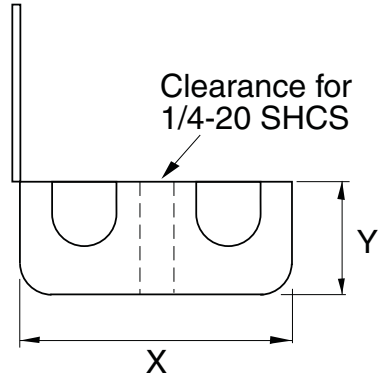
Double Tubing Clamp



EF-43

5/16" SLOTS

	Tubing Size	X	Y
EF-43A	3/8"	1.66	.56
EF-43B	1/2"	2.18	.88
EF-43C	3/4"	2.81	1.19
EF-43D	1"	2.88	1.19



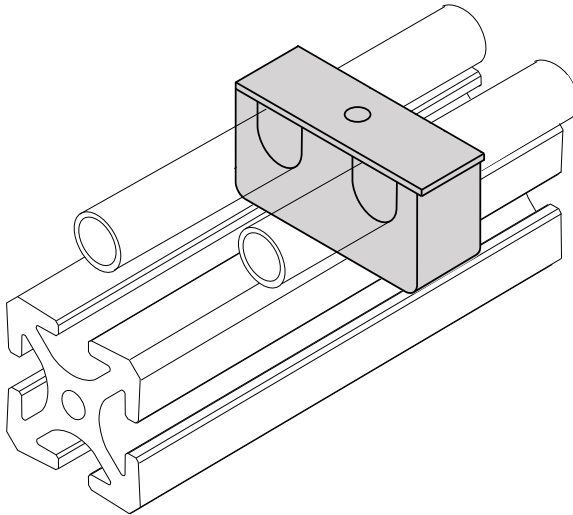
Hardware Required:

EF-43A (1) 11-224 SHCS, (1) EF-1A T-nut

EF-43B (1) 11-225 SHCS, (1) EF-1A T-nut

EF-43C (1) 11-226 SHCS, (1) EF-1A T-nut

EF-43D (1) 11-226 SHCS, (1) EF-1A T-nut



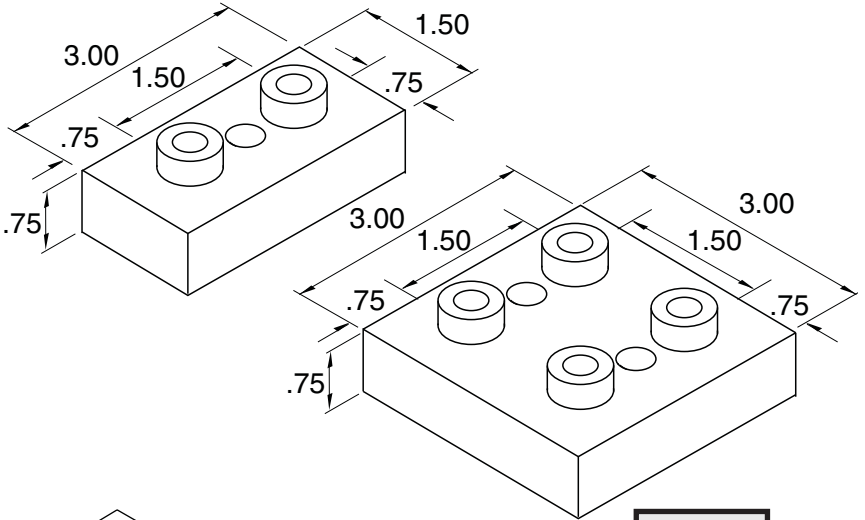
Material - Polypropylene

EF-80

EF-81

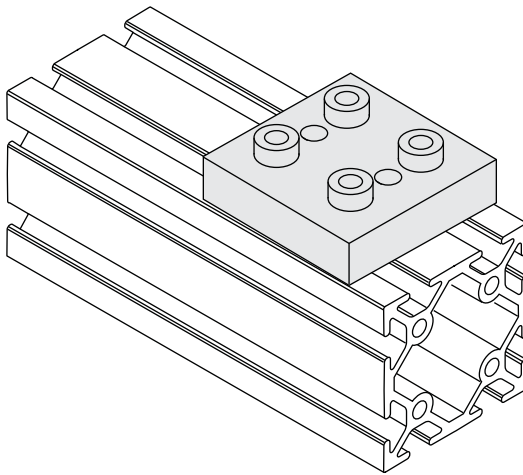
EF-80

Hardware Included



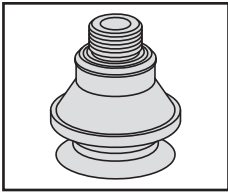
EF-81

Hardware Included

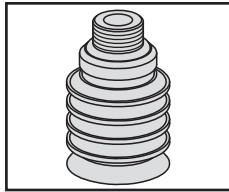


5/16" SLOTS

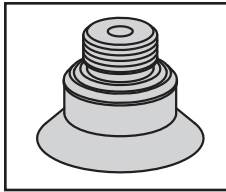
Plate Material - Aluminum
Finish - Clear Anodize



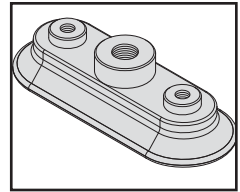
page 313



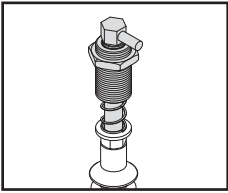
page 314



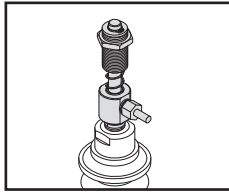
page 315



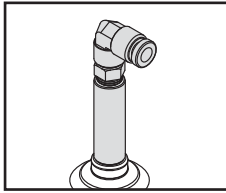
page 316



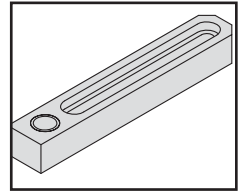
page 317



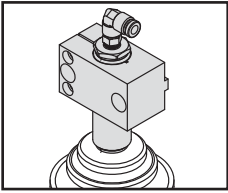
page 318



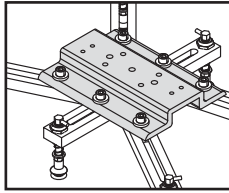
page 319



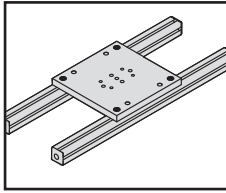
page 320



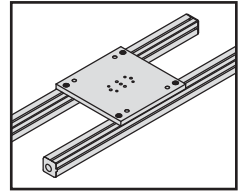
page 321



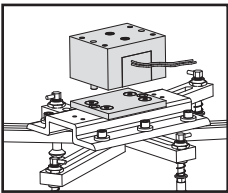
page 322



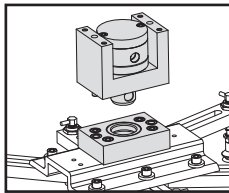
page 323



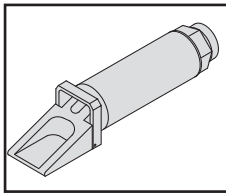
page 324



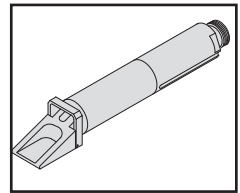
page 325



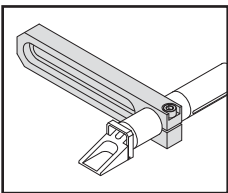
page 326



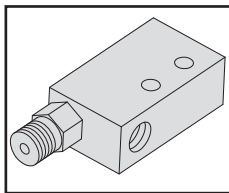
page 327



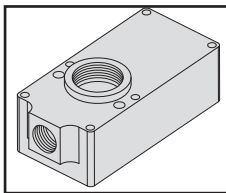
page 328



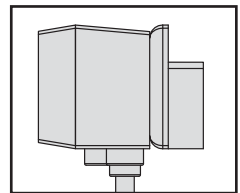
page 329



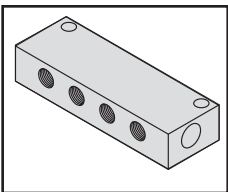
page 330



page 331

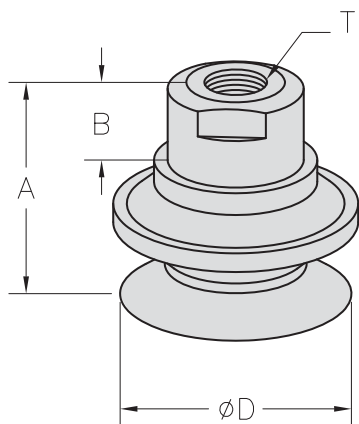


page 332

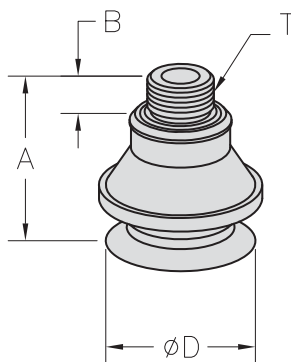


page 333

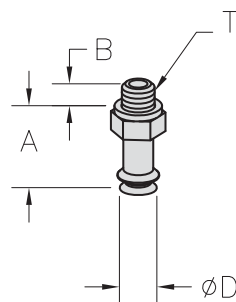
MODULAR TOOLING



**VB-30
VB-50
VB-75
VB-110**



VB-20

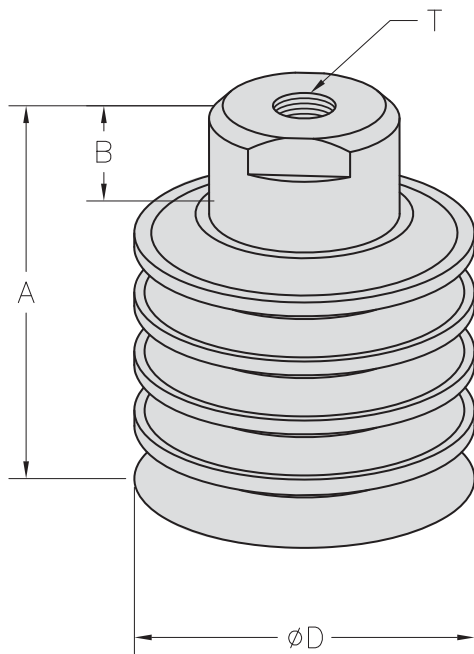


**VB-5
VB-10
VB-15**

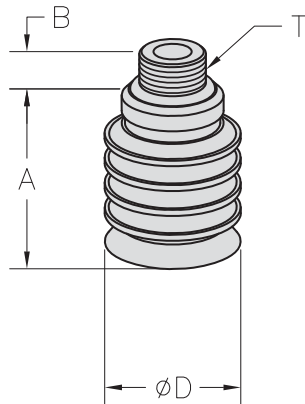
PART NO NBR	PART NO Silicone	ØD	A	B	T
VB-5	VB-5-S	.22	.52	.14	#10-32
VB-10	VB-10-S	.43	.83	.16	#10-32
VB-15	VB-15-S	.61	.96	.16	#10-32
VB-20	VB-20-S	.87	.81	.24	1/8-NPT
VB-30	VB-30-S	1.34	1.34	.31	1/8-NPT
VB-50	VB-50-S	2.09	1.73	.35	1/8 NPT
VB-75	VB-75-S	3.07	1.97	.71	1/2 NPT
VB-110	VB-110-S	4.53	2.48	.59	1/2 NPT

Cup Material is Nitrile Buna N Rubber (NBR)
Silicone is specified with -S suffix

VMB-Series



VMB-50



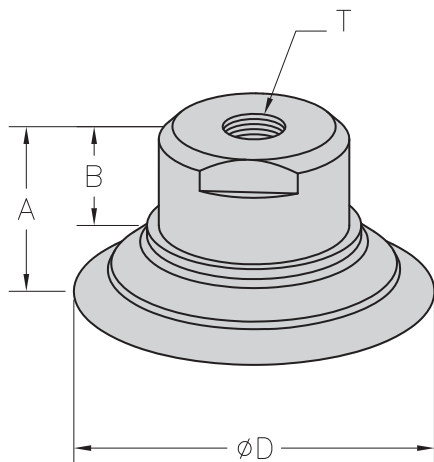
**VMB-20
VMB-30**

MODULAR TOOLING

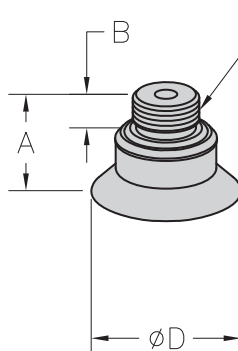
PART NO NBR	PART NO Silicone	ØD	A	B	T
VMB-20	VMB-20-S	.79	.96	.24	1/8 NPT
VMB-30	VMB-30-S	1.18	1.46	.28	1/8 NPT
VMB-50	VMB-50-S	1.97	2.36	.35	1/8 NPT

Cup Material is Nitrile Buna N Rubber (NBR)
Silicone is specified with -S suffix

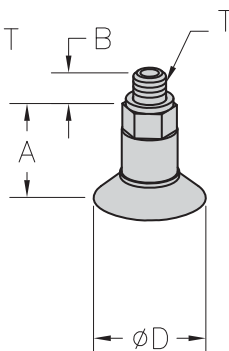
VU & VF-Series



**VF-50
VF-75
VF-110**



**VF-20
VF-30**



**VU-6
VU-10
VF-15**

MODULAR TOOLING

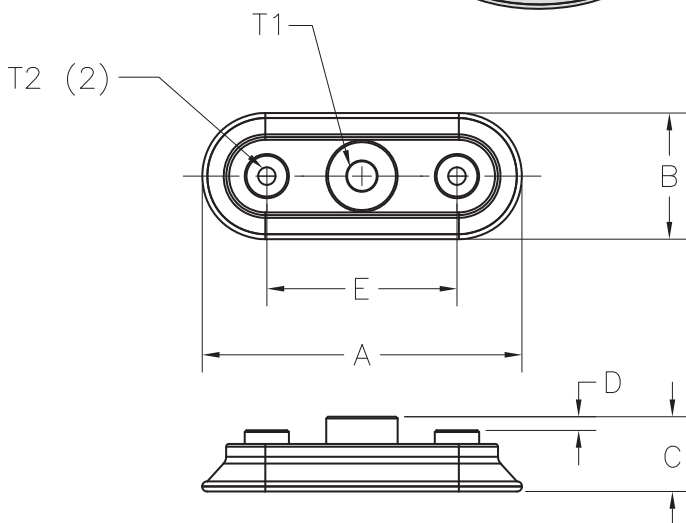
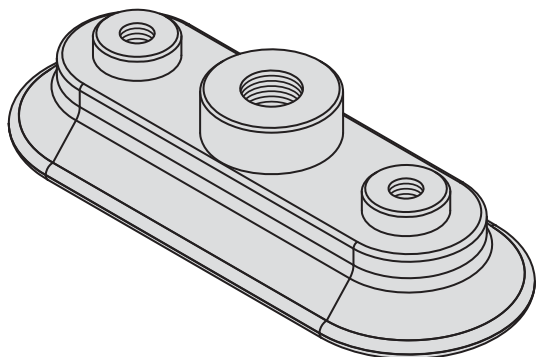
PART NO NBR	PART NO Silicone	ØD	A	B	T
VU-6	VU-6-S	.28	.41	.14	#10-32
VU-10	VU-10-S	.43	.61	.14	#10-32
VF-15	VF-15-S	.65	.63	.16	#10-32
VF-20	VF-20-S	.87	.37	.24	1/8 NPT
VF-30	VF-30-S	1.26	.45	.24	1/8 NPT
VF-50	VF-50-S	2.09	1.04	.35	1/8 NPT
VF-75	VF-75-S	3.03	1.02	.71	1/2 NPT
VF-110	VF-110-S	4.41	1.14	.59	1/2 NPT

Cup Material is Nitrile Buna N Rubber (NBR)
Silicone is specified with -S suffix

Vacuum Cups Oval



VOC-Series

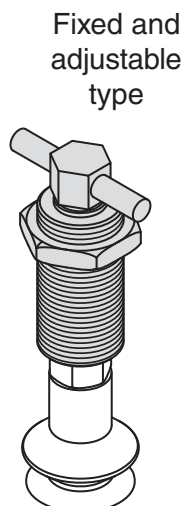
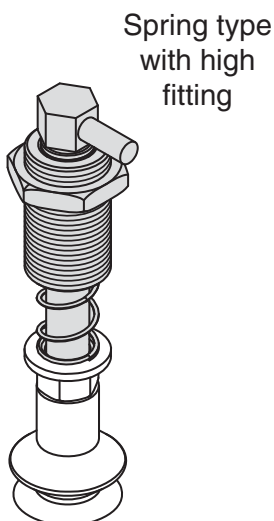
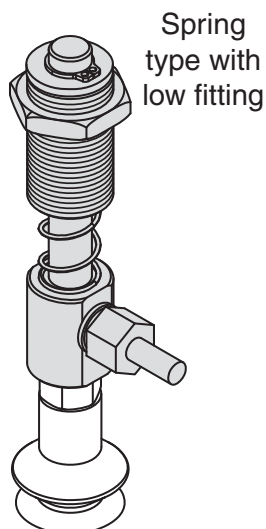


MODULAR TOOLING

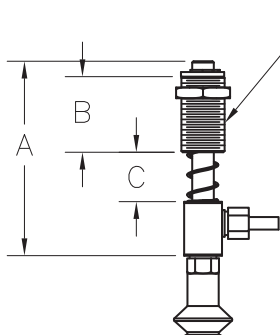
PART NO	A	B	C	D	E	T1	T2
VOC-35	3.70	1.46	.87	.16	2.20	1/8 NPT	m6
VOC-60	5.51	2.40	1.18	.16	2.99	3/8 NPT	m8

MODEL	(in ³)	LIFTING FORCE (lb) Perpendicular			LIFTING FORCE (lb) Parallel		
		2.9 psi	8.7 psi	13.0 psi	2.9 psi	8.7 psi	13.0 psi
VOC-35	1.22	11.02	29.54	38.36	15.21	36.16	42.3
VOC-60	3.17	29.54	83.78	116.84	41.67	83.78	114.64

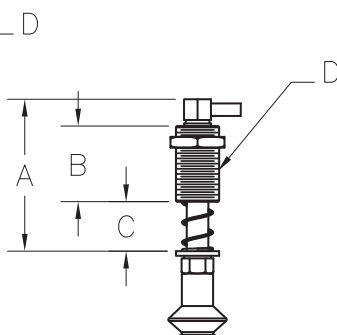
Cup Material is Nitrile Buna N Rubber (NBR)



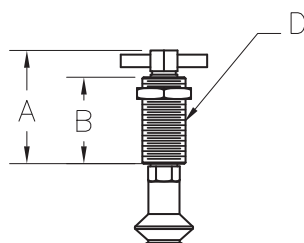
Note: Vacuum cups sold separately



MT-ST-B



MT-ST-A

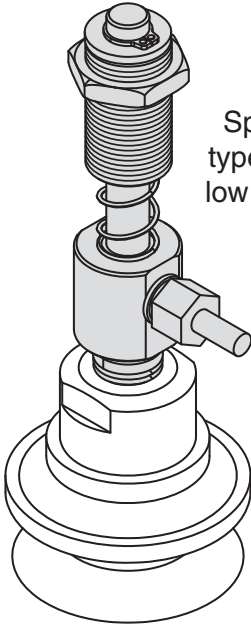


MT-ST-C

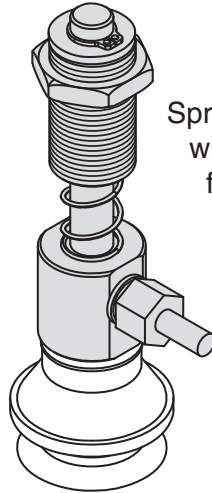
Fittings accept Ø1/4 tubing

PART NO	A	B	C	D	USE WITH VACUUM CUPS
MT-ST-A	1.81	.88	.53	1/2-20	VB-5, VB-10, VB-15, VU-6, VU-10, VF-15
MT-ST-B	2.25	.88	.53	1/2-20	
MT-ST-C	3.31	1.00	--	1/2-20	

MT-ST

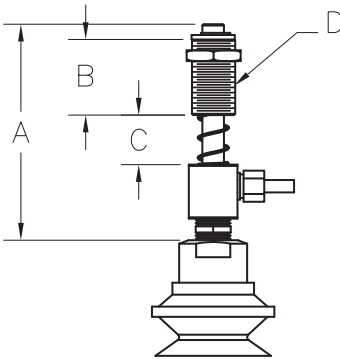


Spring type with low fitting

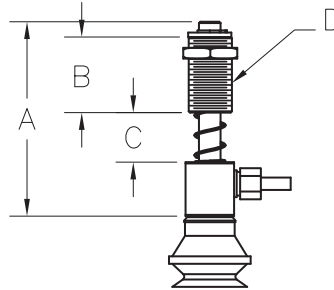


Spring type with low fitting

Note: Vacuum cups sold separately



MT-ST-E



MT-ST-D

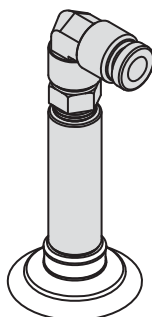
Fittings accept Ø1/4 tubing

PART NO	A	B	C	D	USE WITH VACUUM CUPS
MT-ST-D	2.25	.88	.53	1/2-20	VB-20, VF-20
MT-ST-E	2.50	.88	.53	1/2-20	VB-30, VB-50, VF-30, VF-50

MODULAR TOOLING

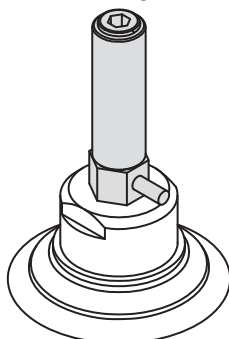
MT-ST

Rigid clamp type with top fitting



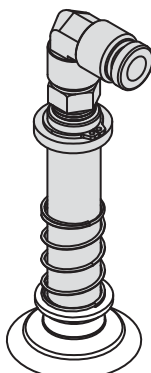
MT-ST-F
MT-ST-G

Rigid clamp type with bottom fitting



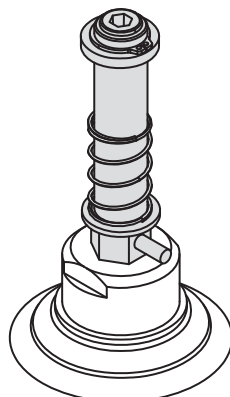
MT-ST-H

Spring type with top fitting



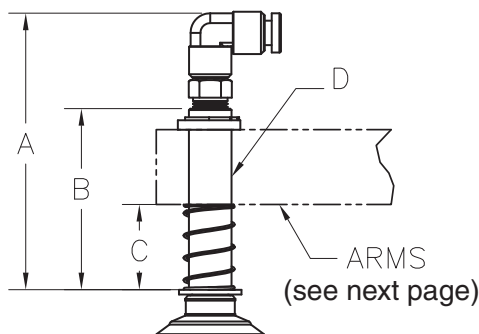
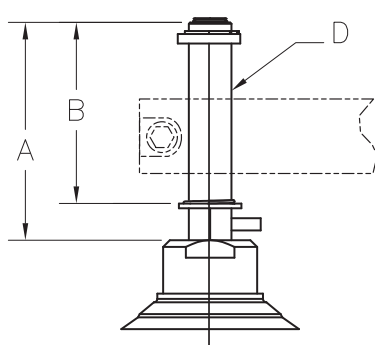
MT-ST-I
MT-ST-J

Spring type with bottom fitting



MT-ST-K

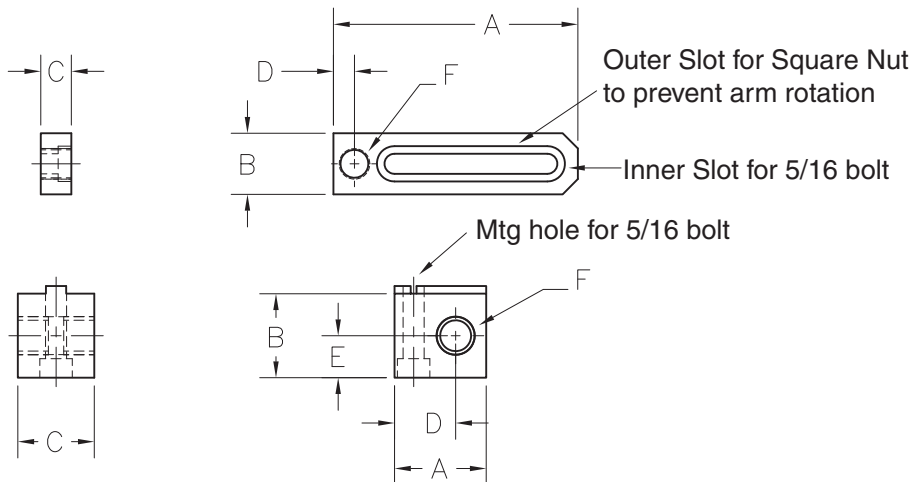
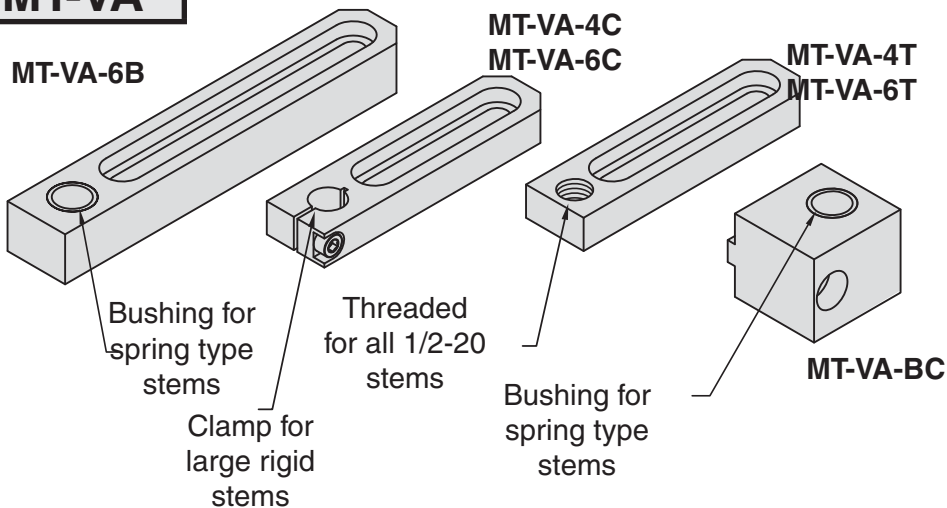
Note: Vacuum cups sold separately



Fittings accept $\text{\O}1/4$ tubing

PART NO	A	B	C	D	SPRING	USE WITH VACUUM CUPS
MT-ST-F	2.62	1.50	--	$\text{\O}0.50$	NO	VF-20, VF-30, VB-20, VB-30
MT-ST-G	2.87	1.50	--	$\text{\O}0.50$	NO	VF-50, VB-50
MT-ST-H	1.88	1.50	--	$\text{\O}0.50$	NO	VF-50, VB-50
MT-ST-I	3.25	2.13	1.00	$\text{\O}0.50$	YES	VF-20, VF-30, VB-20, VB-30
MT-ST-J	3.50	2.13	1.00	$\text{\O}0.50$	YES	VF-50, VB-50
MT-ST-K	2.56	1.88	1.00	$\text{\O}0.50$	YES	VF-50, VB-50

MT-VA



Requires Square Nut **SMN-56**

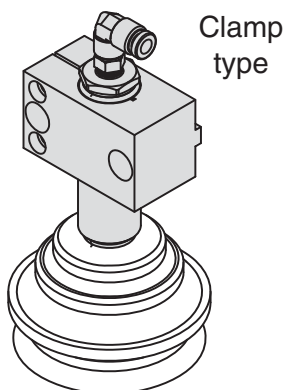
PART NO	A	B	C	D	E	F
MT-VA-4T	4.00	1.00	.50	.34	--	1/2-20 THD.
MT-VA-6T	6.00	1.00	.50	.34	--	1/2-20 THD
MT-VA-4C	4.00	1.00	.50	.56	--	Ø.50 CLAMP
MT-VA-6C	6.00	1.00	.50	.56	--	Ø.50 CLAMP
MT-VA-6B	6.00	1.00	.50	.62	--	Ø.50 BUSHING
MT-VA-BC	1.50	1.38	1.25	1.00	.69	Ø.50 BUSHING

Material - Aluminum
Finish - Clear Anodize

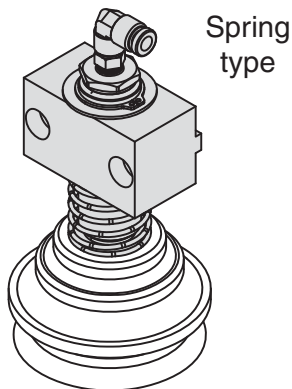
MODULAR TOOLING

MT-STL-CL

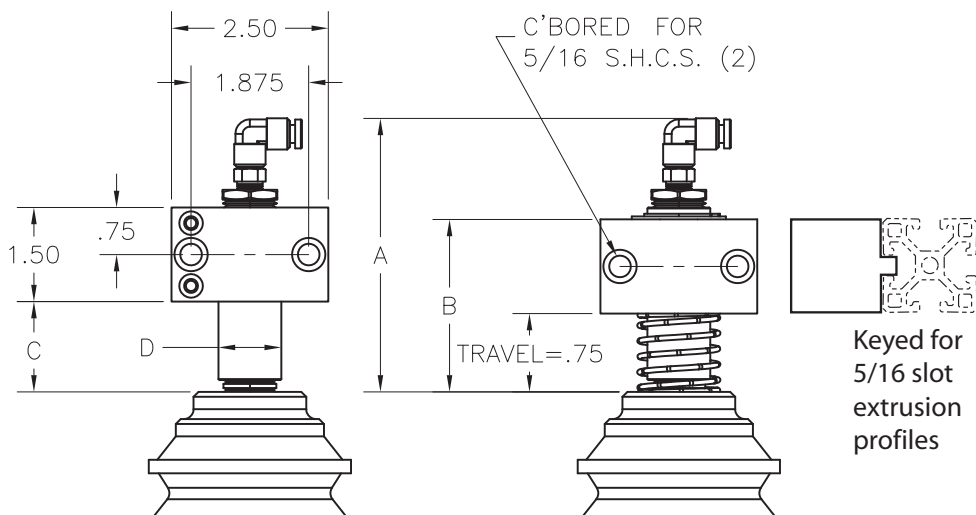
MT-STL-SP



MT-STL-CL



MT-STL-SP



Fittings Accept Ø1/4 Tubing

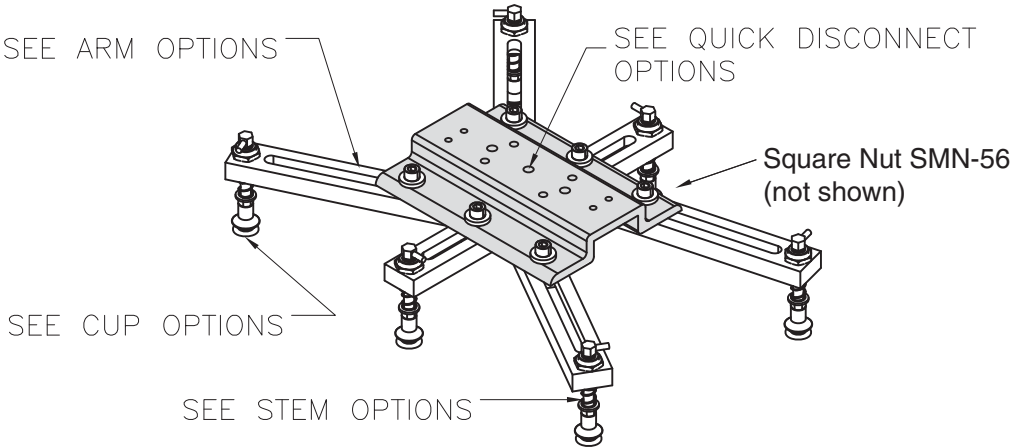
PART NO	A	B	C	D	SPRING	USE WITH VACUUM CUPS
MT-STL-CL	4.36	2.94	1.44	Ø1.00	NO	VB-75, VB-150 VF-75, VF-150
MT-STL-SP	4.36	2.75	--	Ø1.00	YES	VB-75, VB-150 VF-75, VF-150

Note: Vacuum cups sold separately

Small Vacuum Assembly Plate



MT-SAS



MODULAR TOOLING

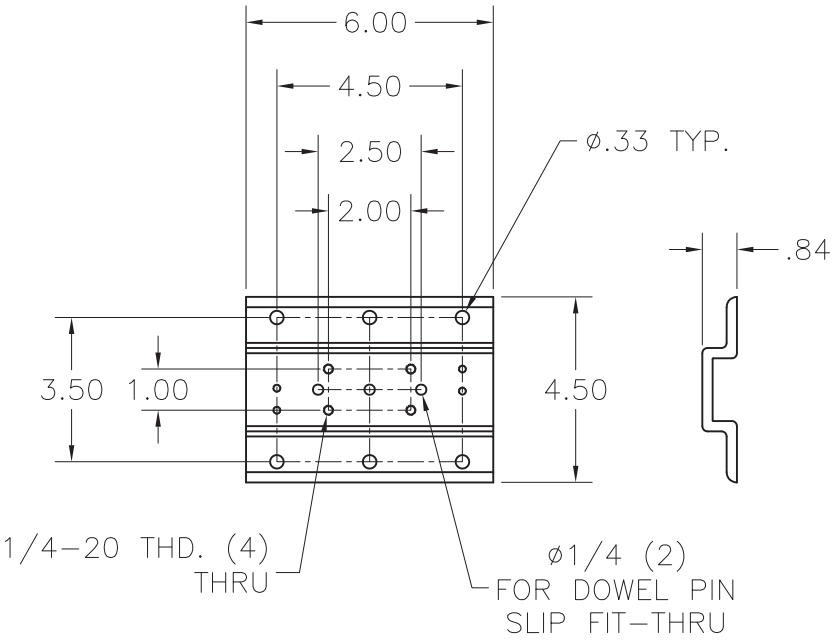
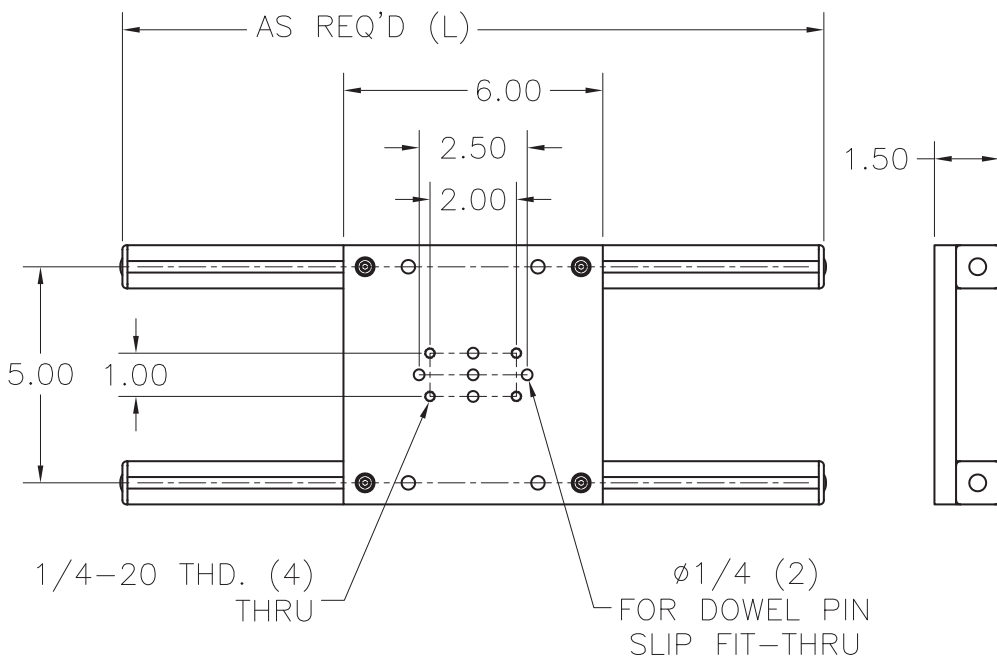
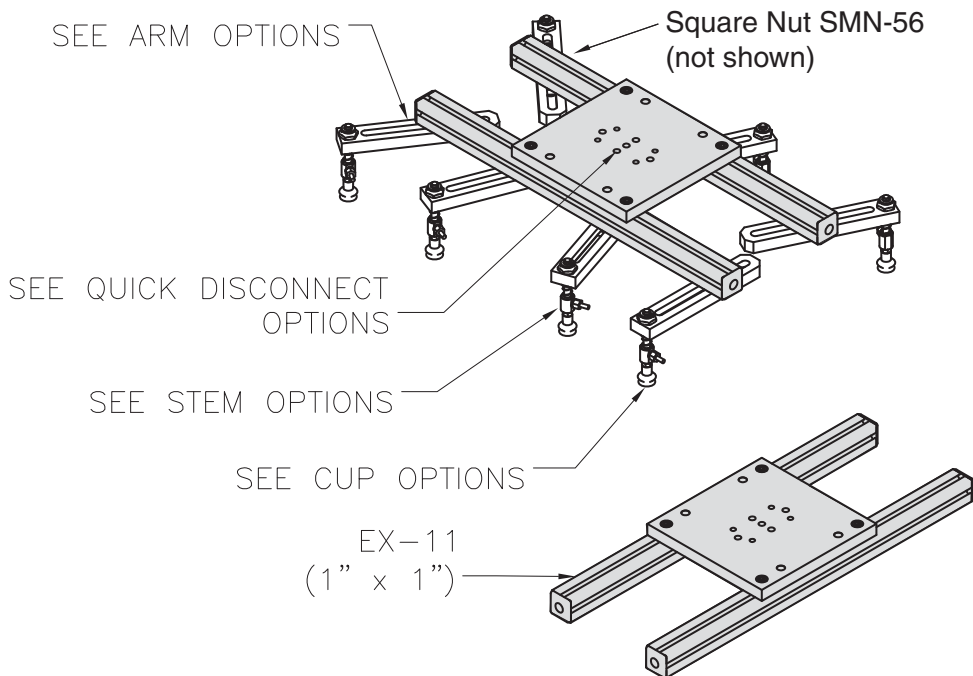


Plate Material - Aluminum
Finish - Clear Anodize



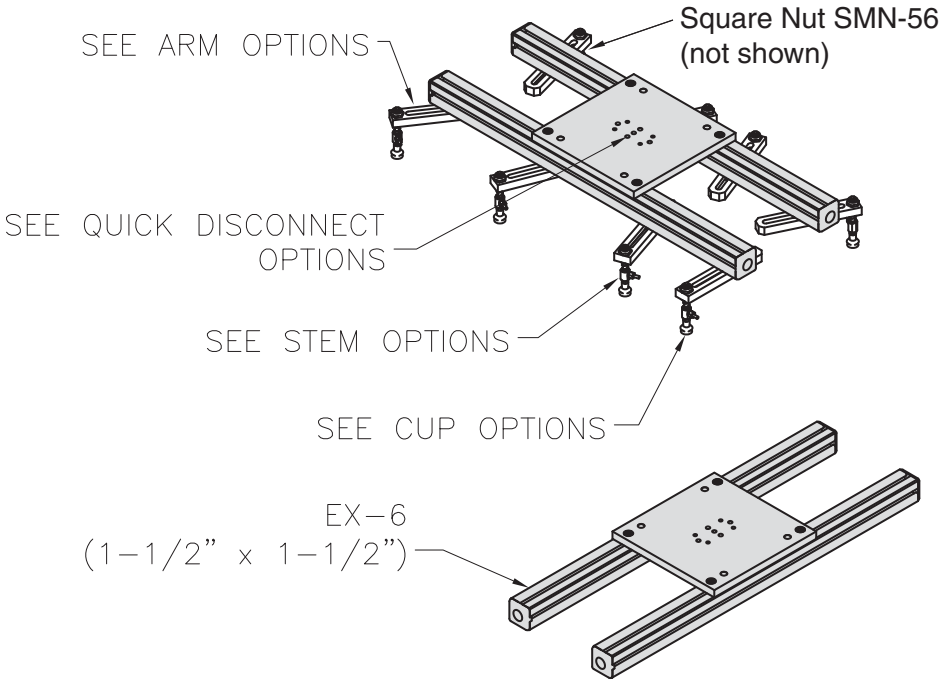
**Plate Material - Aluminum
Finish - Clear Anodize**

MODULAR TOOLING

Large Vacuum Assembly Plate



MT-LAS



MODULAR TOOLING

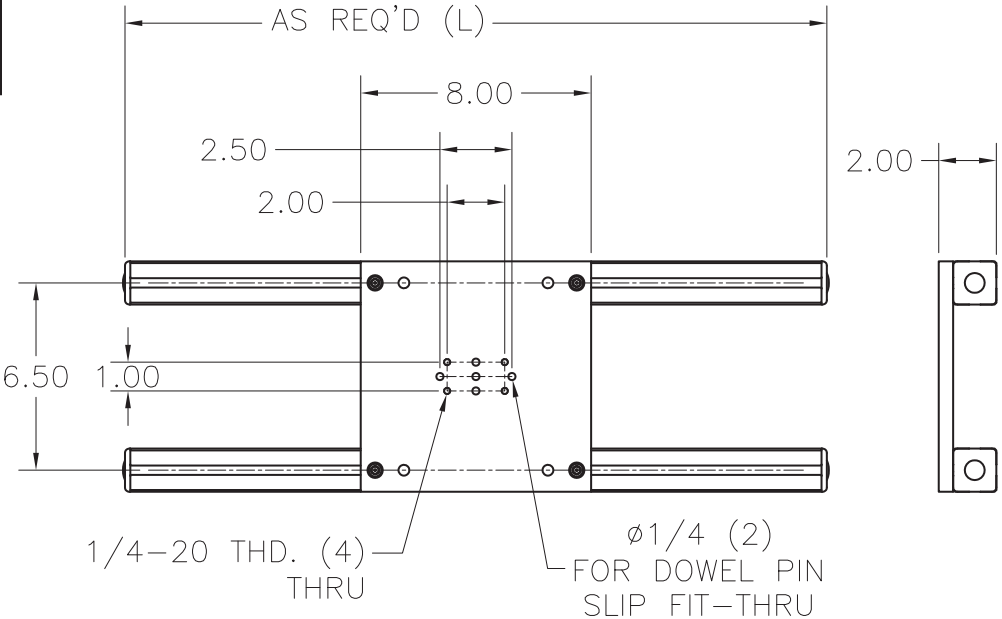
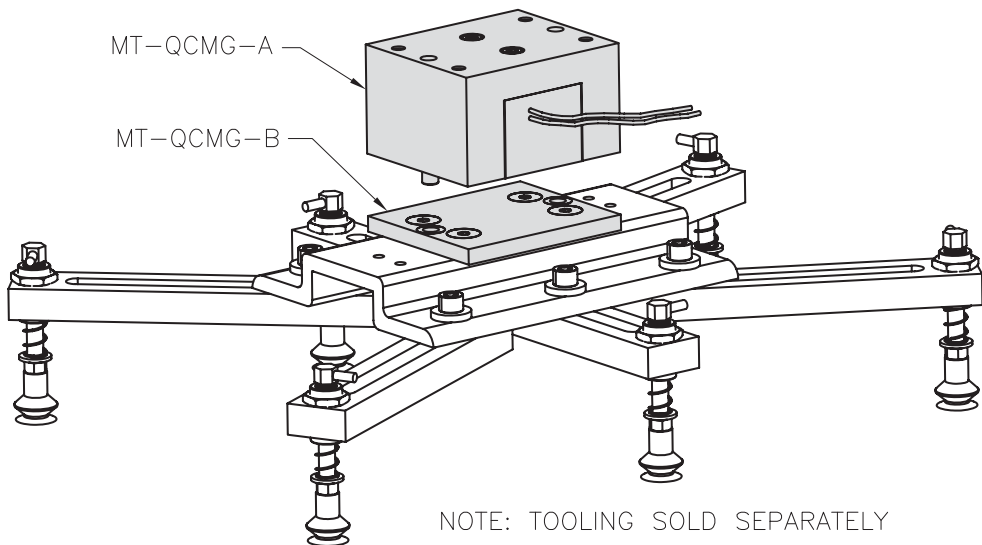
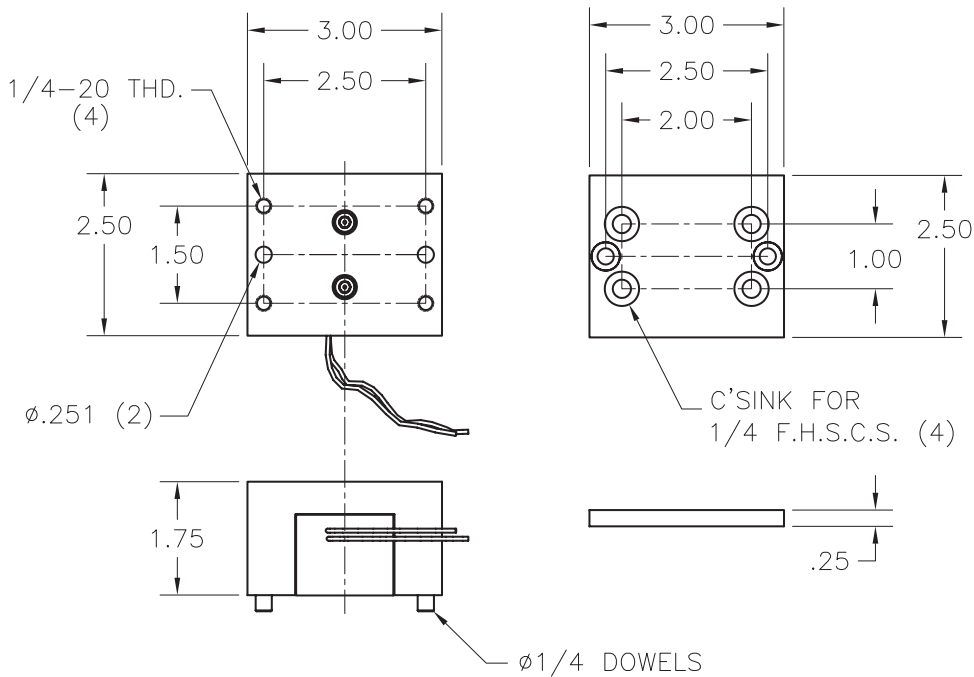


Plate Material - Aluminum
Finish - Clear Anodize

MT-QCMG-A
MT-QCMG-B



NOTE: TOOLING SOLD SEPARATELY



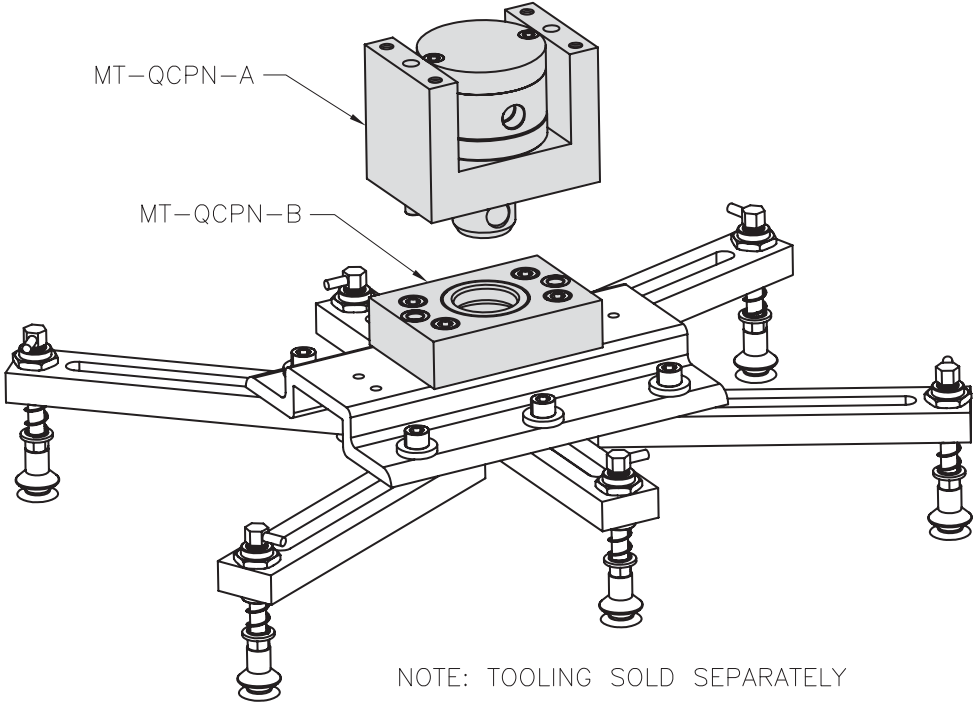
DC-POWERED ELECTROMAGNET
REQUIRES A DC POWER SUPPLY
10 WATTS, 12VDC
MAX. PULL 160 lbs.

MODULAR TOOLING

Pneumatic Quick Change Module

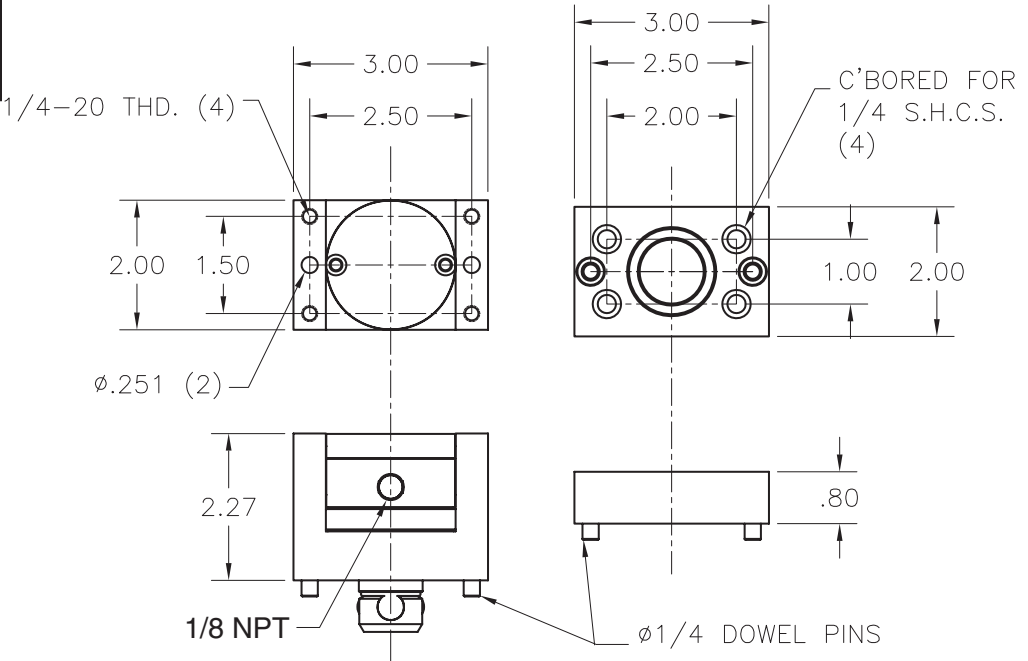


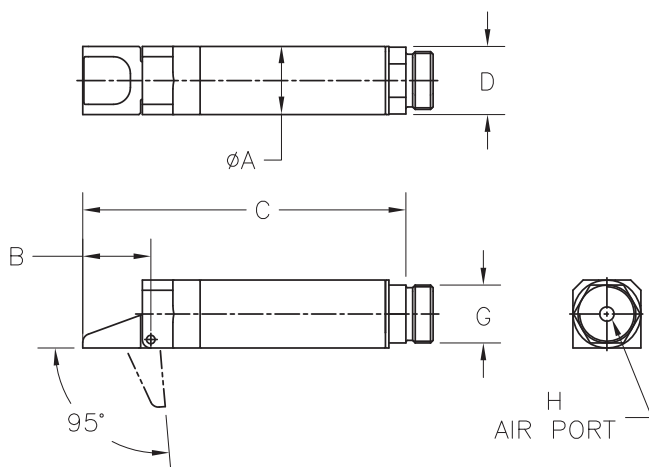
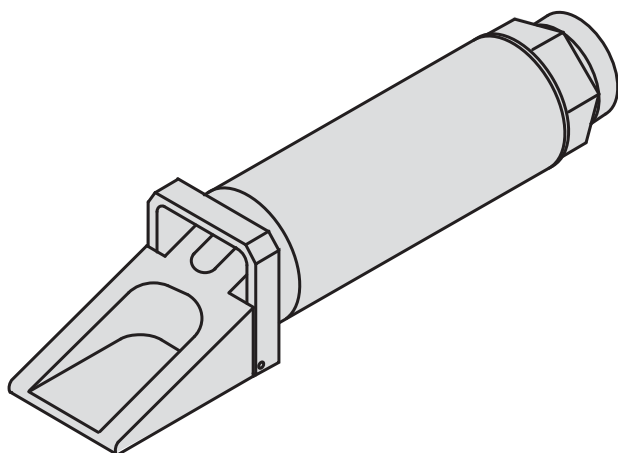
MT-QCPN-A
MT-QCPN-B



NOTE: TOOLING SOLD SEPARATELY

MODULAR TOOLING





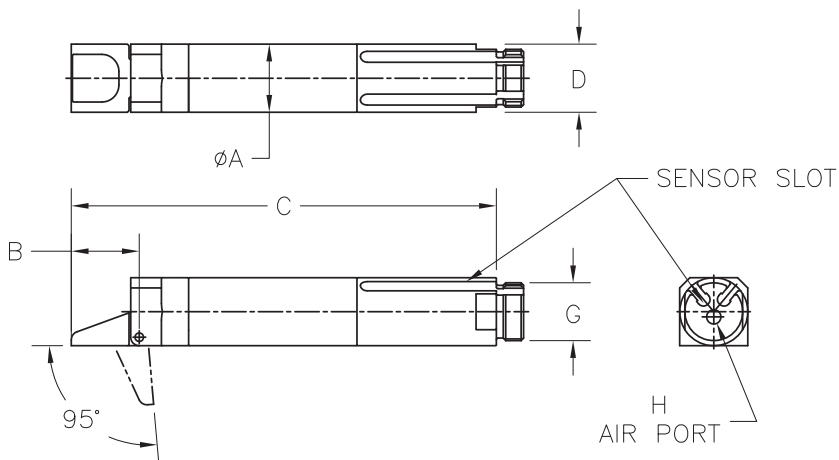
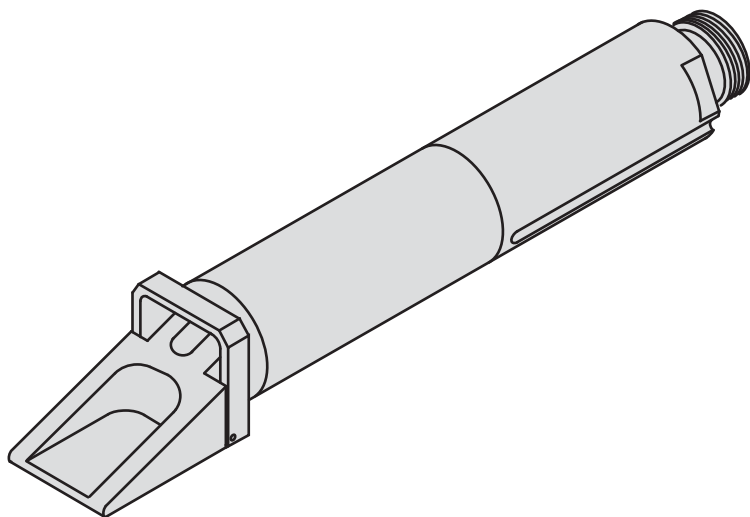
PART NO.	A	B	C	D	G	STROKE	H	CLOSING FORCE*
MT-MCL-1	Ø.787	.787	3.74	.787	M17 x 1	95°	M5	16 lbf

* at 87 PSI

90° Mini Clamp (Sensor)



MT-MCL-2



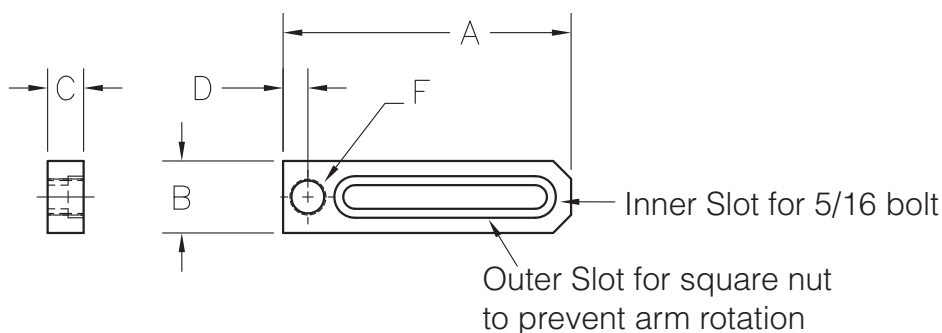
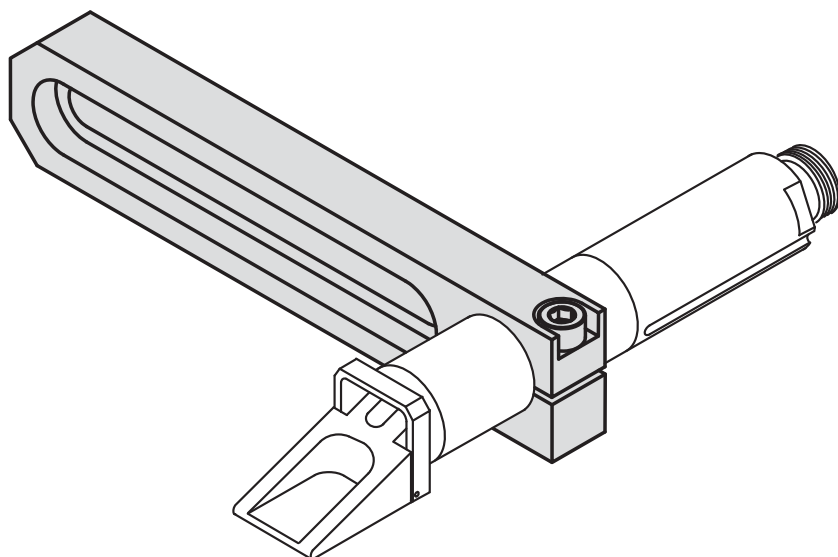
MODULAR TOOLING

PART NO.	A	B	C	D	G	STROKE	H	CLOSING FORCE*
MT-MCL-2	Ø.787	.787	4.92	.787	M17 x 1	95°	M5	16 lbf

* at 87 PSI

Order Sensors Separately

MT-MCL-SP	PNP Sensor	3-wire, 78.74" long cable	6-24 vdc
MT-MCL-SN	NPN Sensor	3-wire, 78.74" long cable	6-24 vdc



PART NO	A	B	C	D	E	F
MT-MCA- 4C	4.00	1.00	.50	.56	--	Ø.75 CLAMP
MT-MCA-6C	6.00	1.00	.50	.56	--	Ø.75 CLAMP

Requires Square Nut **SMN-56**

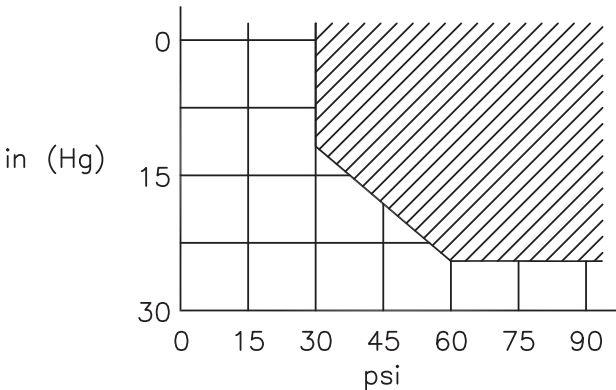
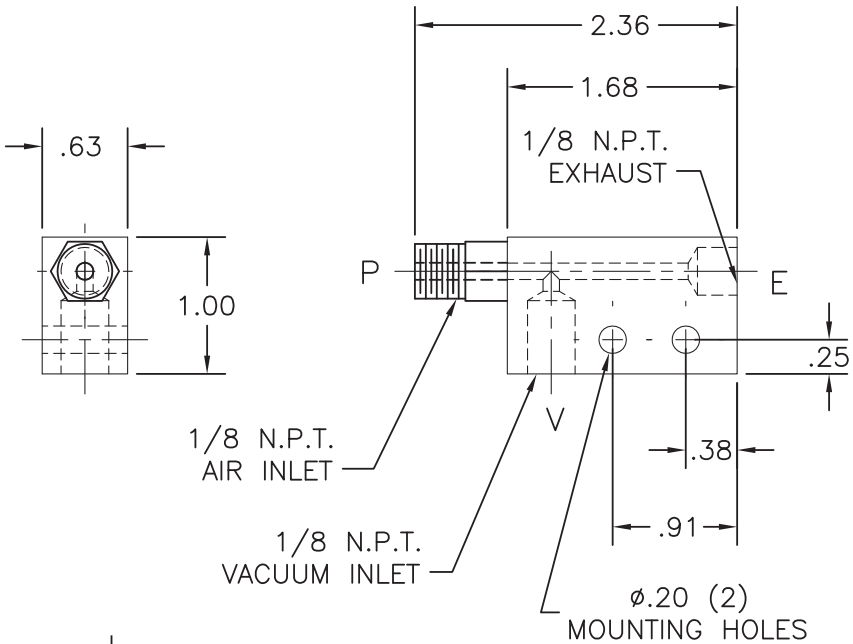
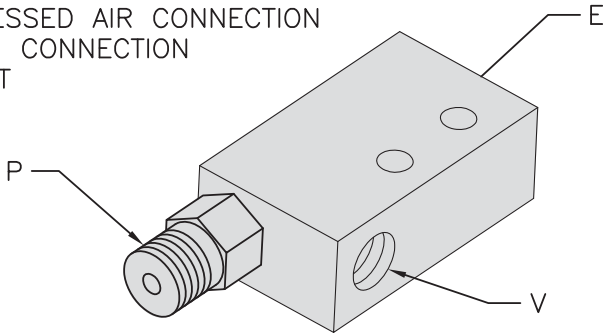
Material - Aluminum
Finish - Clear Anodize

Vacuum Generator



VGEN-1

P=COMPRESSED AIR CONNECTION
 V=VACUUM CONNECTION
 E=EXHAUST



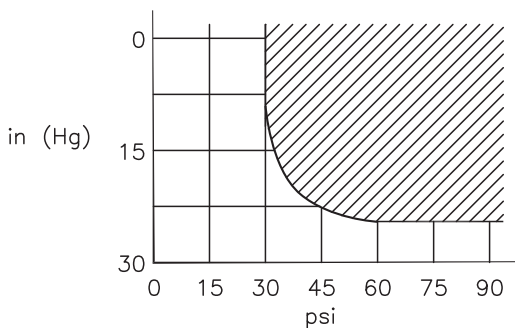
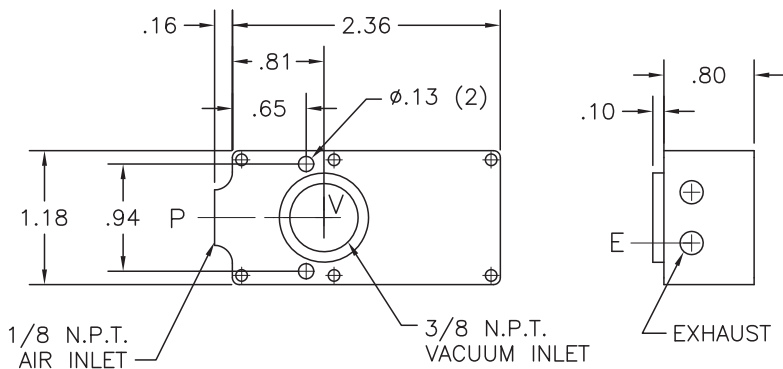
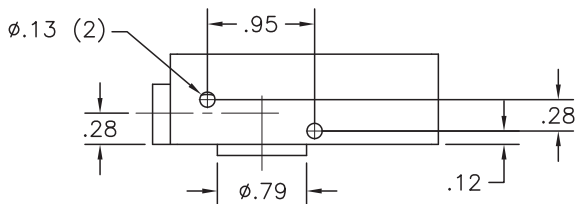
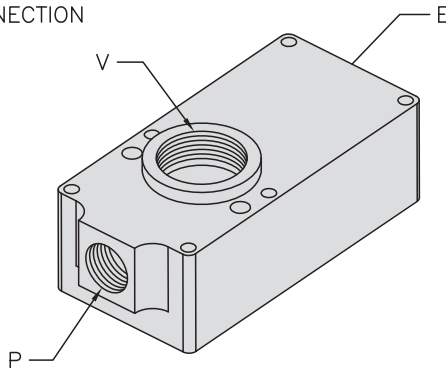
Capacity: Approx 4 in²

GRAPH OF SUPPLY PRESSURE vs. VACUUM PRODUCED

MODULAR TOOLING

VGEN-2

P=COMPRESSED AIR CONNECTION
V=VACUUM CONNECTION
E=EXHUAST



Capacity: Approx 10 in²

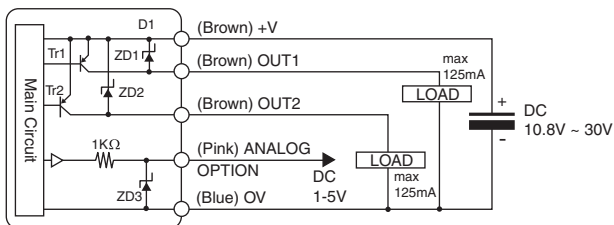
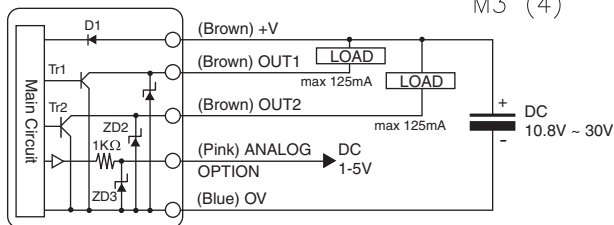
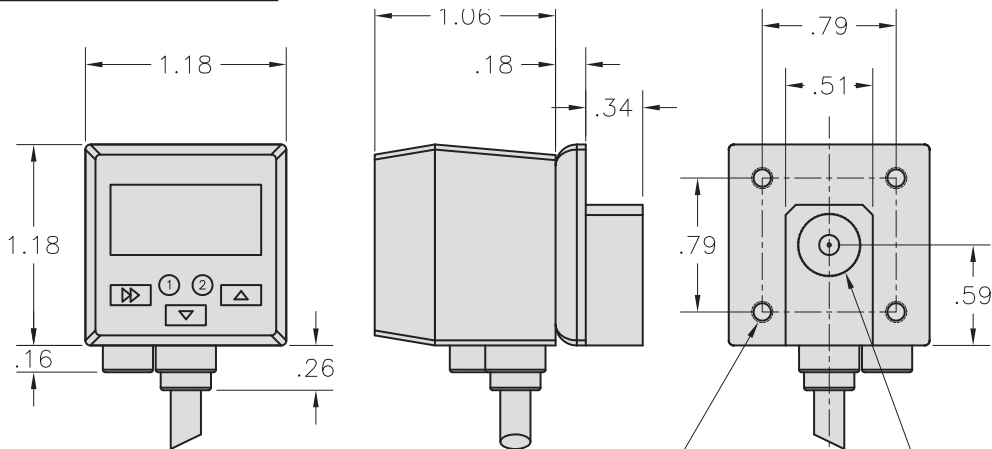
GRAPH OF SUPPLY PRESSURE vs. VACUUM PRODUCED

MODULAR TOOLING

Vacuum Switch

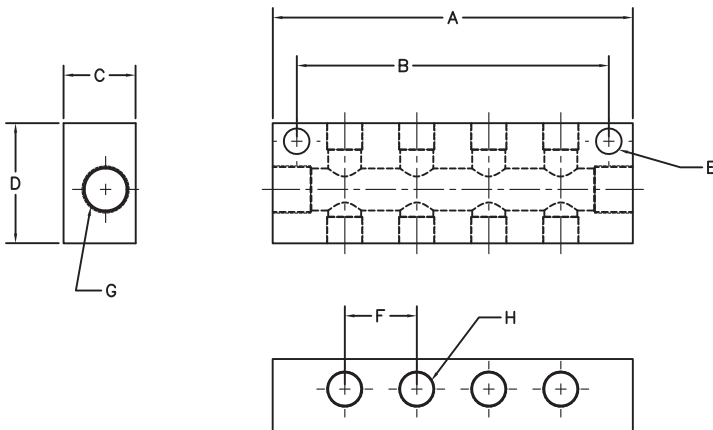
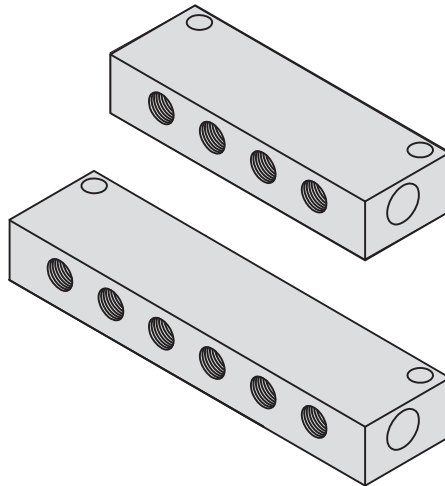


VSW-1



MODULAR TOOLING

SPECIFICATIONS	
APPLICABLE FLUID	NON-CORROSIVE GASES
PRESSURE RANGE	0.0 ~ - 101.3 kPa
PRESSURE PROOF FORCE	500 kPa
MATERIAL OF PRESSURE PORT	Zn DIE CASTING
POWER SUPPLY VOLTAGE	12~24 VDC ± 10%, RIPPLE (P-P) 10% or LESS
POWER CONSUMPTION	55 mA or LESS
OUTPUT	NPN or PNP OPEN COLLECTOR 2 OUTPUTS, MAX 80 mA
RESPONSE TIME	≤2.5 ms (CHATTERING-PROOF FUNCTION: 24ms, 192ms AND 768 ms SELECTIONS)
PROTECTION STRUCTURE	IP 40
OPERATING AMBIENT TEMPERATURE (°C)	OPERATION: 0~50°C , STORAGE: -20~60°C (NO CONDENSATION FREEZING)



MODULAR TOOLING

PART NO	PORTS	A	B	C	D	E	F	G	H
MT-MFD-L8	8	3.75	3.25	.75	1.25	Ø.27	.75	1/4 NPT (2)	1/8 NPT (8)
MT-MFD-L12	12	5.25	4.75	.75	1.25	Ø.27	.75	1/4 NPT (2)	1/8 NPT (12)
MT-MFD-S8	8	3.00	2.50	.63	1.00	Ø.20	.50	1/8 NPT (2)	10-32 THD. (8)
MT-MFD-S12	12	4.00	3.50	.63	1.00	Ø.20	.50	1/8 NPT (2)	10-32 THD. (8)



EX-11
1" x 1"



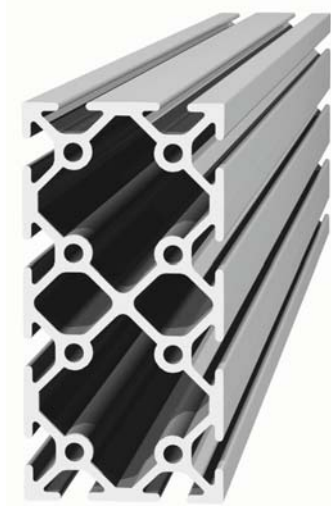
EX-12
1" x 2"



EX-13
1" x 3"



EX-22
2" x 2"



EX-24
2" x 4"

1/4" SLOTS

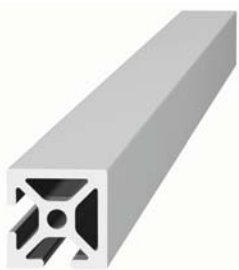
SMOOTH-Series



EX-70
1" x 1"



EX-71
1" x 1"



EX-72
1" x 1"

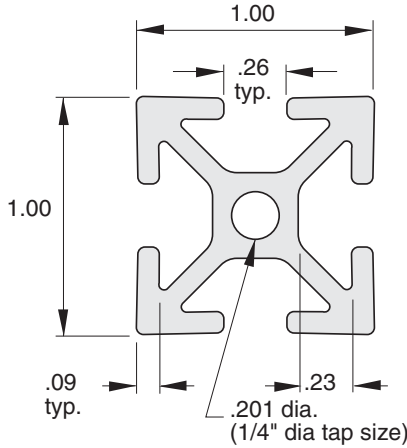


EX-73
1" x 1"



EX-14
1" x 1"

EX-11



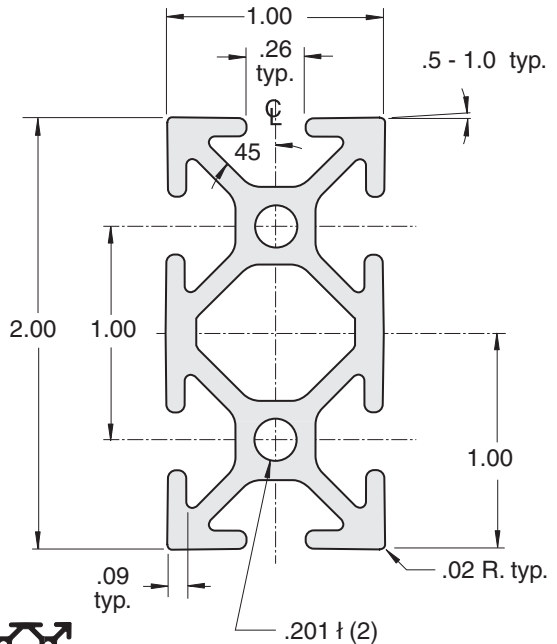
- Finish = Clear anodized
- Material = 6105-T5 Aluminum
- Est. Area = .451 Sq. In.
- Weight/ft = .530 lbs.
- 96", 144.25", 192.63" Lengths standard.

Section Properties:

Moment of Intertia in ⁴	.049
Section modulus in ³	.097

EX-12

- Finish = Clear anodized
- Material = 6105-T5 Aluminum
- Est. Area = .807 Sq. In.
- Weight/ft = .949 lbs.
- 96", 192.63" Lengths standard.

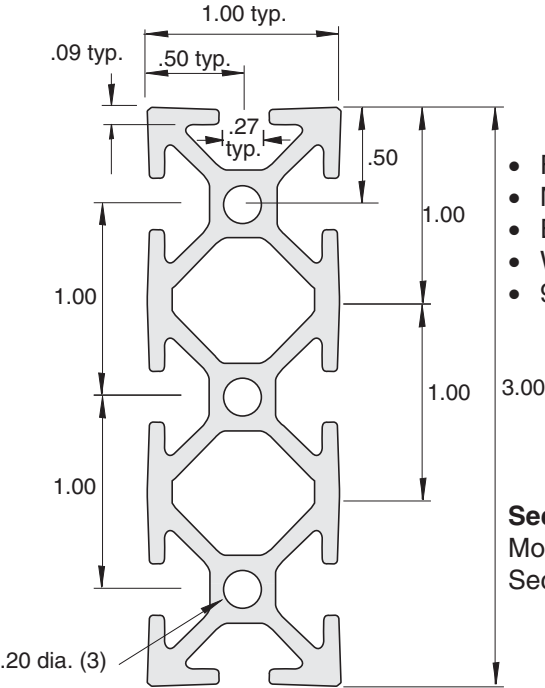


Section Properties:

Moment of Intertia in ⁴	.316	.088
Section modulus in ³	.316	.176

1/4" SLOTS

EX-13



- Finish = Clear anodized
- Material = 6105-T5 Aluminum
- Est. Area = 1.162 Sq. In.
- Weight/ft = 1.367 lbs.
- 96", 192.63" Lengths standard.

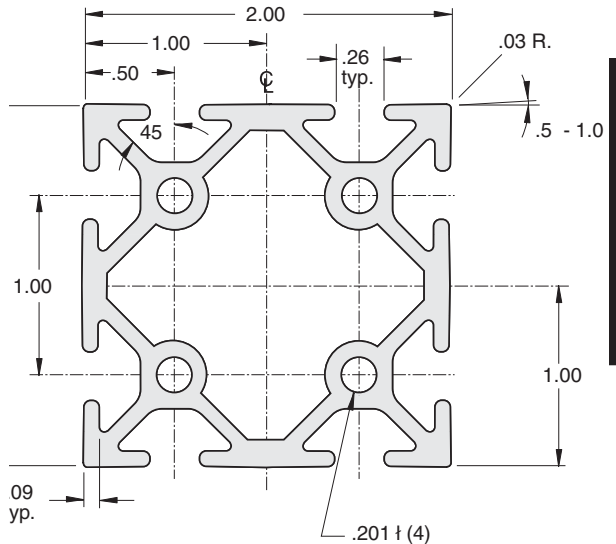
Section Properties:

Moment of Inertia in ⁴	1.376	0.387
Section modulus in ³	0.917	0.516



EX-22

- Finish = Clear anodized
- Material = 6105-T5 Aluminum
- Est. Area = .451 Sq. In.
- Weight/ft = 1.468 lbs.
- 96", 192.63" Lengths standard.

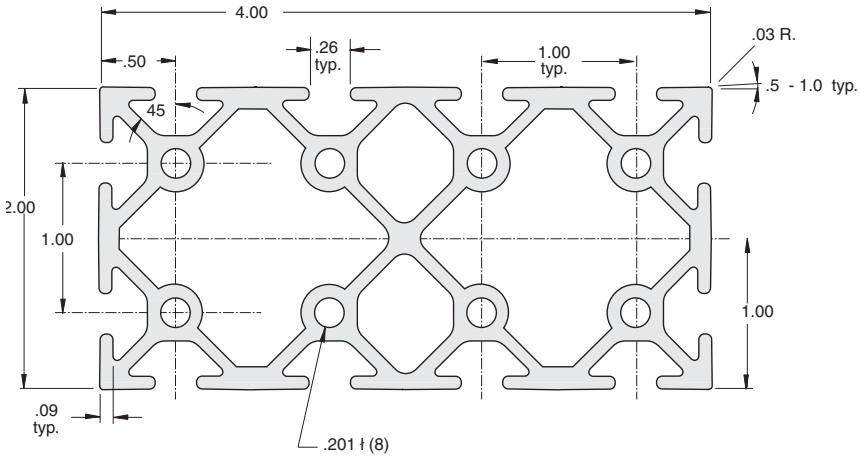


1/4" SLOTS

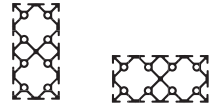
Section Properties:

Moment of Intertia in ⁴	.49
Section modulus in ³	.097

EX-24



- Finish = Clear anodized
- Material = 6063-T6HT Aluminum
- Est. Area = 2.352 Sq. In.
- Weight/ft = 2.766 lbs.
- 96", 192.63" Lengths standard.



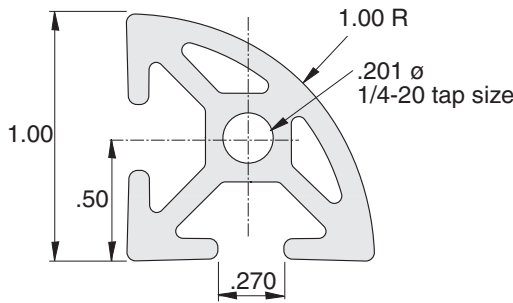
Section Properties:

Moment of Intertia in ⁴	3.634	1.078
Section modulus in ³	1.817	1.078

EX-14

SMOOTH-Series

1/4" SLOTS



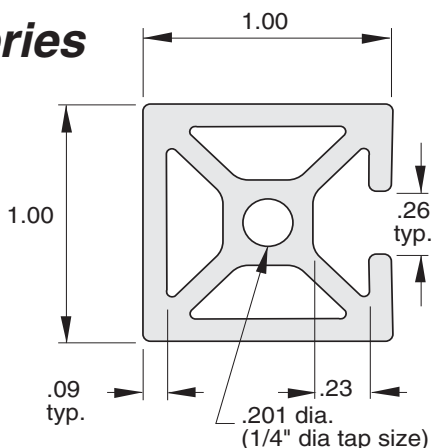
- Finish = Clear anodized
- Material = 6105-T6 Aluminum
- Est. Area = .438 Sq. In.
- Weight/ft = .515 lbs.
- 96", 192.63" Lengths standard.

Section Properties:

Moment of Intertia in ⁴	.0368
Section modulus in ³	.0675

SMOOTH-Series

EX-70



- Finish = Clear anodized
- Material = 6105-T5 Aluminum
- Est. Area = .451 Sq. In.
- Weight/ft = .576 lbs.
- 96", 192.63" Lengths standard.

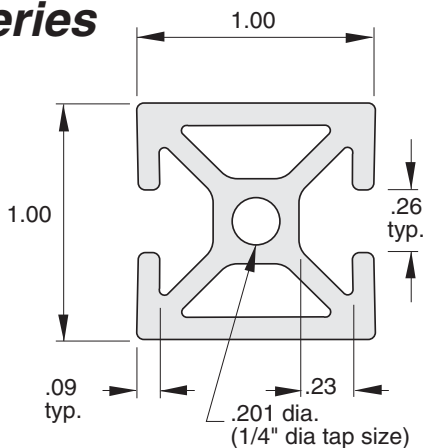
Section Properties:

Moment of Inertia in ⁴	.057	.052
Section modulus in ³	.114	.099



SMOOTH-Series

EX-71



- Finish = Clear anodized
- Material = 6105-T5 Aluminum
- Est. Area = .451 Sq. In.
- Weight/ft = .550 lbs.
- 96", 192.63" Lengths standard.

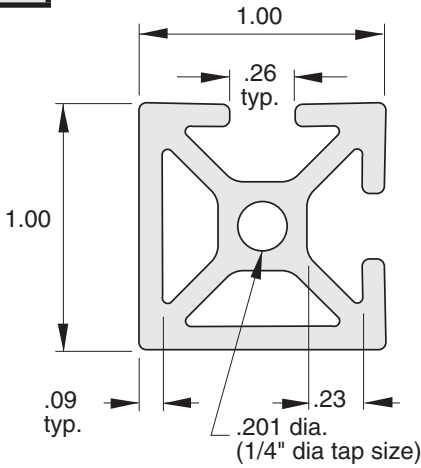
Section Properties:

Moment of Inertia in ⁴	.057	.046
Section modulus in ³	.114	.093



1/4" SLOTS

EX-72

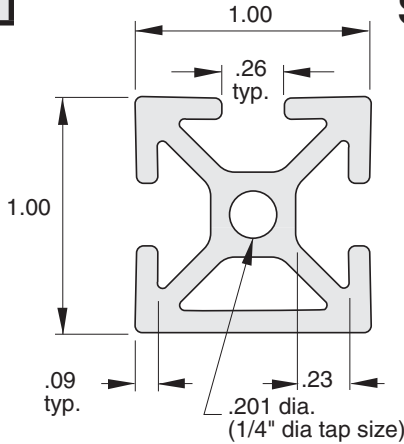


- Finish = Clear anodized
- Material = 6105-T5 Aluminum
- Est. Area = .451 Sq. In.
- Weight/ft = .546 lbs.
- 96", 192.63" Lengths standard.

Section Properties:

Moment of Intertia in ⁴	.051
Section modulus in ³	.098

EX-73



- Finish = Clear anodized
- Material = 6105-T5 Aluminum
- Est. Area = .451 Sq. In.
- Weight/ft = .523 lbs.
- 96", 192.63" Lengths standard.

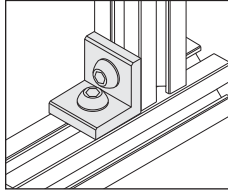
Section Properties:

Moment of Intertia in ⁴	.051	.046
Section modulus in ³	.099	.092

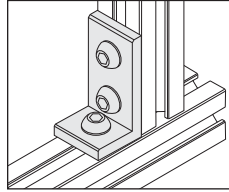


1/4" SLOTS

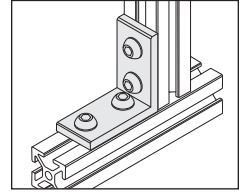
Section F.1 Corner Angle Brackets



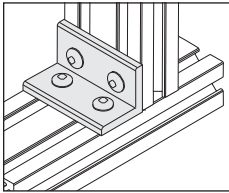
page 350



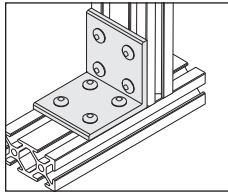
page 351



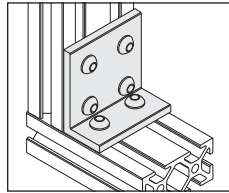
page 352



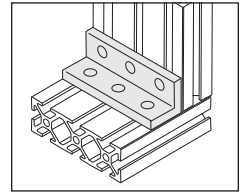
page 353



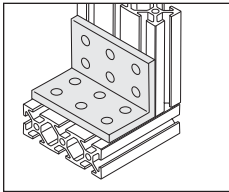
page 354



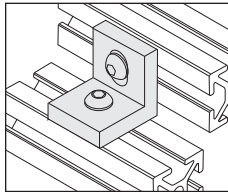
page 355



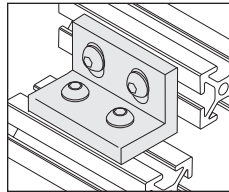
page 356



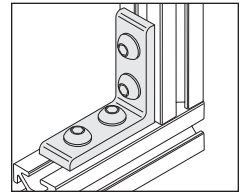
page 357



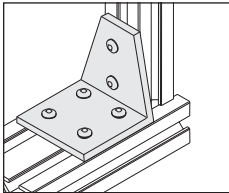
page 358



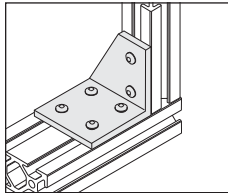
page 359



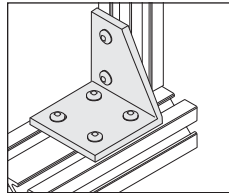
page 360



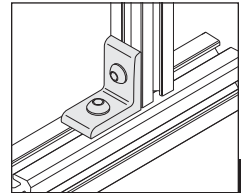
page 361



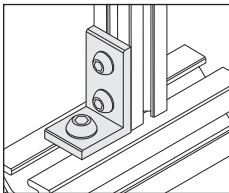
page 362



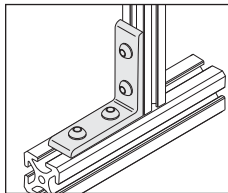
page 363



page 364



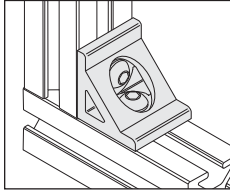
page 365



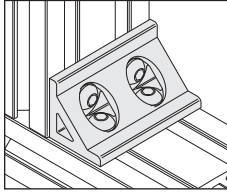
page 366

Section F.2

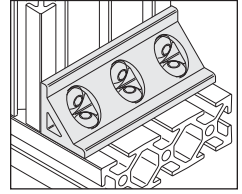
Gusseted Corner Angle Brackets



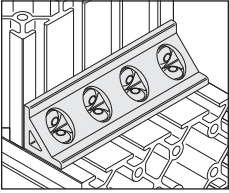
page 367



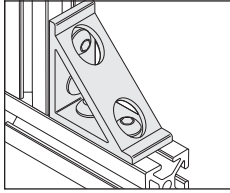
page 368



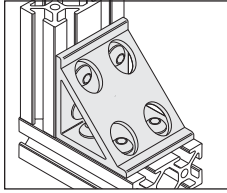
page 369



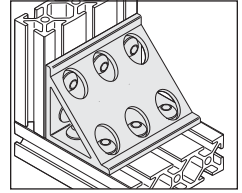
page 370



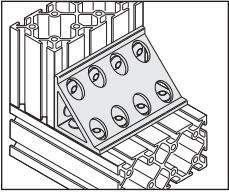
page 371



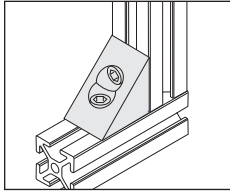
page 372



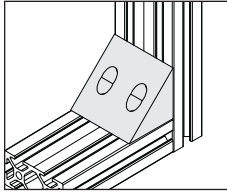
page 373



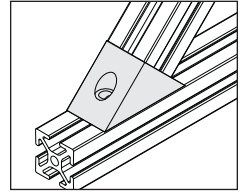
page 374



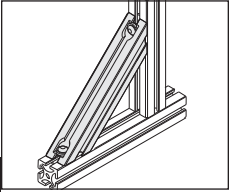
page 375



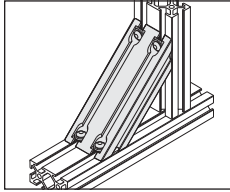
page 376



page 377



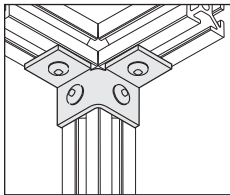
page 378



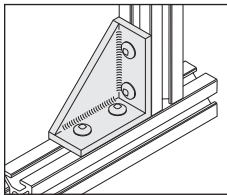
page 379

Section F.3

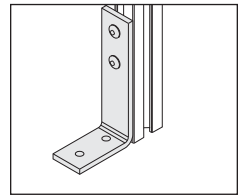
Steel Corner Angle Brackets



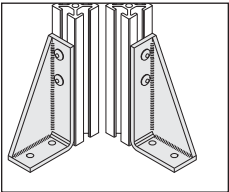
page 380



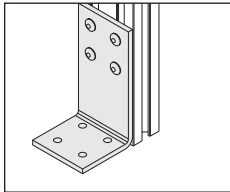
page 381



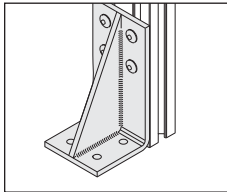
page 382



page 383



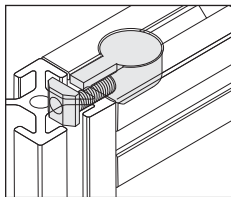
page 384



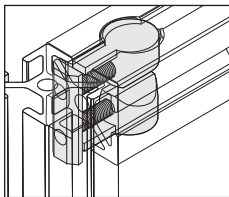
page 385

1/4" SLOTS

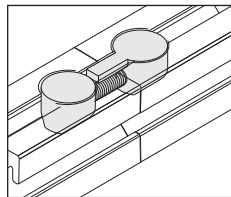
Section F.4 Internal & Adjustable Corner Brackets



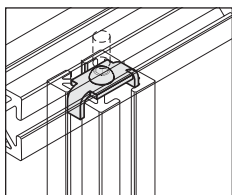
page 386



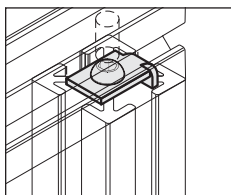
page 387



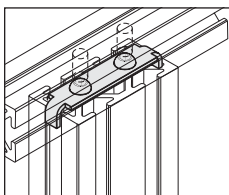
page 388



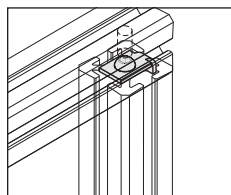
page 389



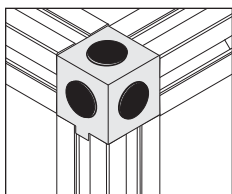
page 389



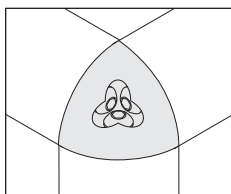
page 390



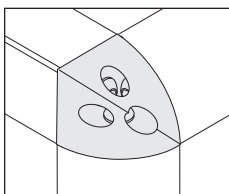
page 391



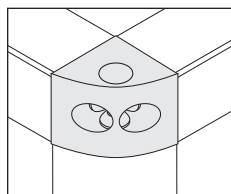
page 392



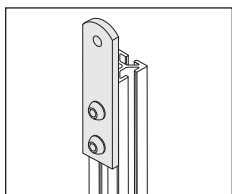
page 393



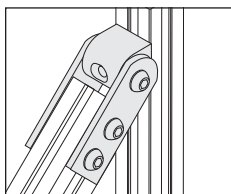
page 394



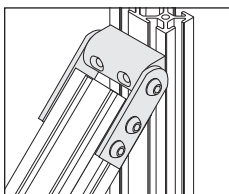
page 395



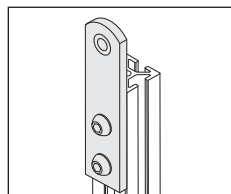
page 396



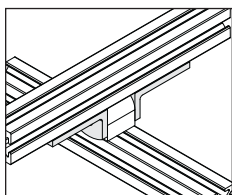
page 397



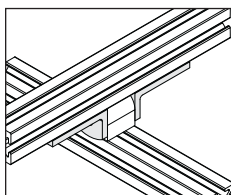
page 398



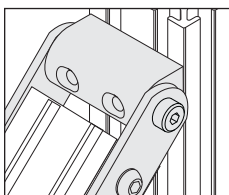
page 399



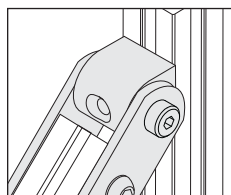
page 400



page 401

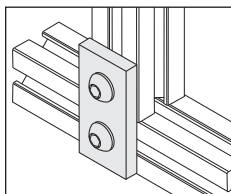


page 402

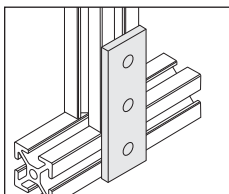


page 403

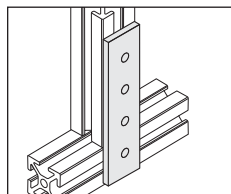
Section F.5 Joining Plates



page 404

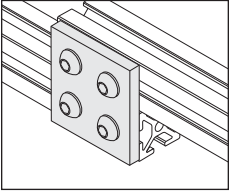


page 405

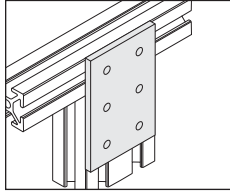


page 406

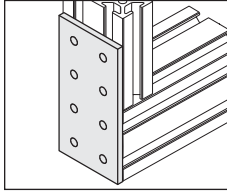
1/4" SLOTS



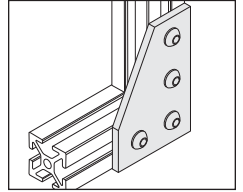
page 407



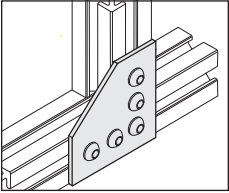
page 408



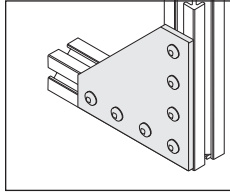
page 409



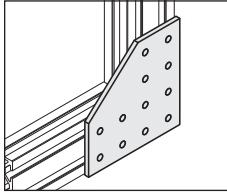
page 410



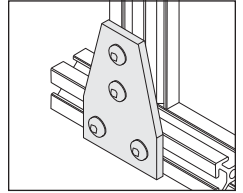
page 411



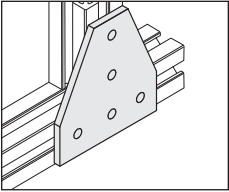
page 412



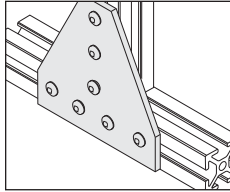
page 413



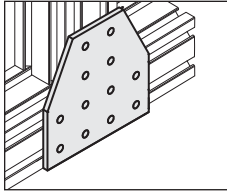
page 414



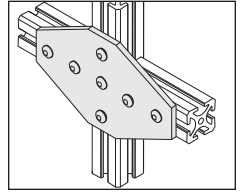
page 415



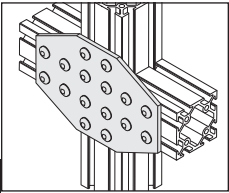
page 416



page 417

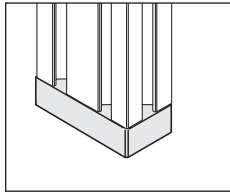


page 418

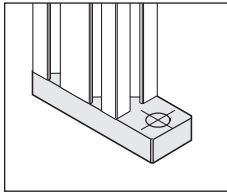


page 419

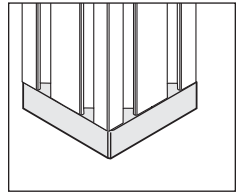
Section F.6
Floor Mounts,
Casters and
Adjustable
Feet



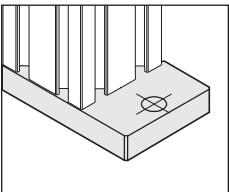
page 420



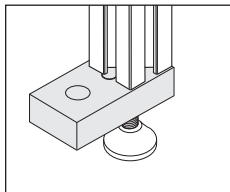
page 421



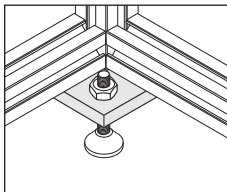
page 422



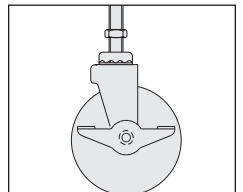
page 423



page 424

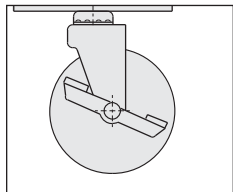


page 425

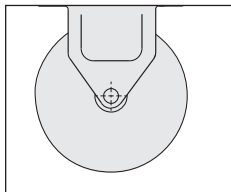


page 426

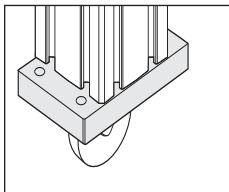
1/4" SLOTS



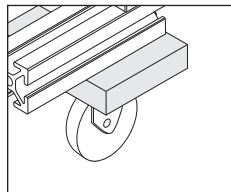
page 427



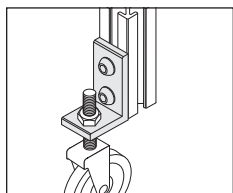
page 428



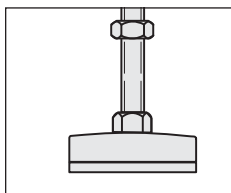
page 429



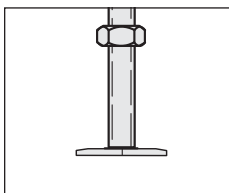
page 430



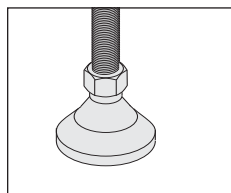
page 431



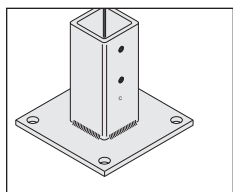
page 432



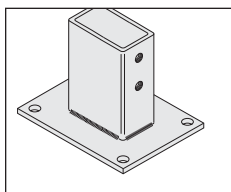
page 432



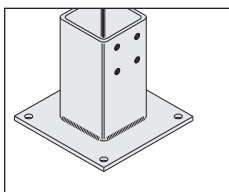
page 432



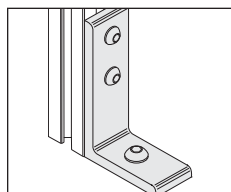
page 433



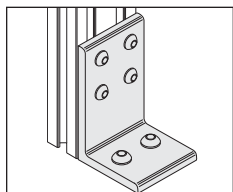
page 434



page 435



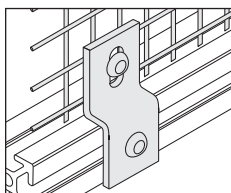
page 436



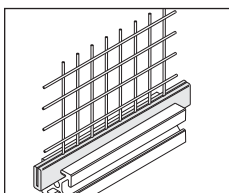
page 437

Section F.7

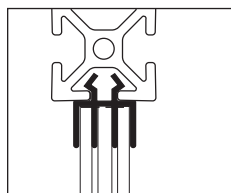
Panels, Doors and Hardware



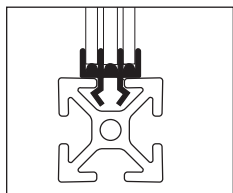
page 438



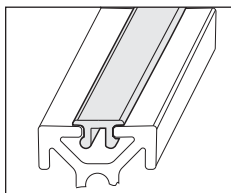
page 439



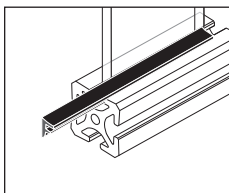
page 440



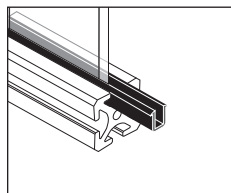
page 440



page 441

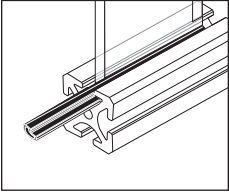


page 442

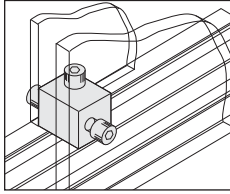


page 443

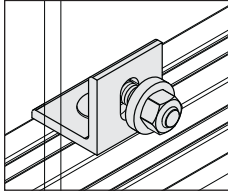
1/4" SLOTS



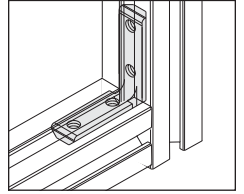
page 444



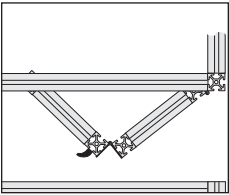
page 445



page 446



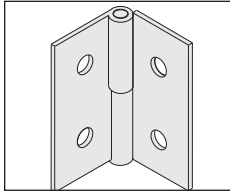
page 447



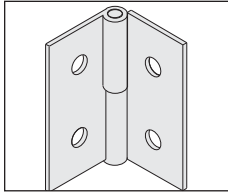
page 448

Section F.8

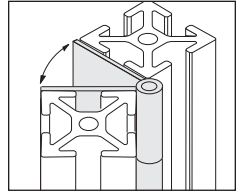
**Hinges,
Handles and
Latches**



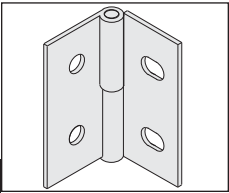
page 449



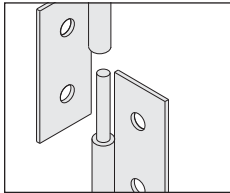
page 450



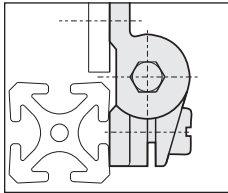
page 451



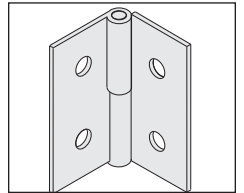
page 452



page 453

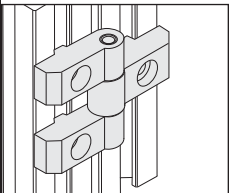


page 454

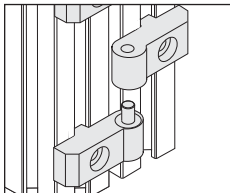


page 455

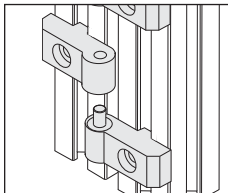
1/4" SLOTS



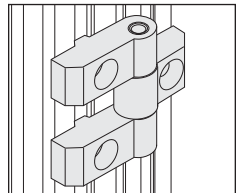
page 456



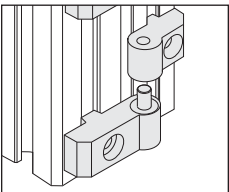
page 457



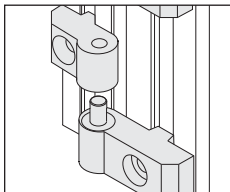
page 458



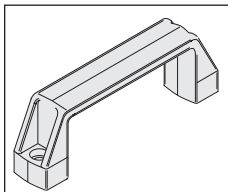
page 459



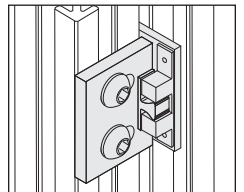
page 460



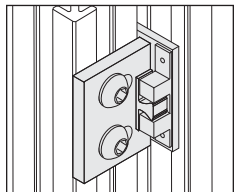
page 461



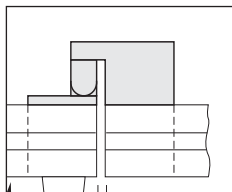
page 462



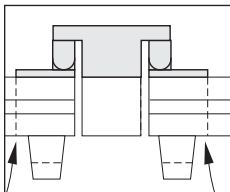
page 463



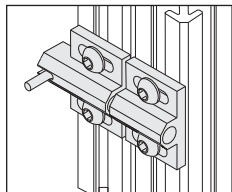
page 464



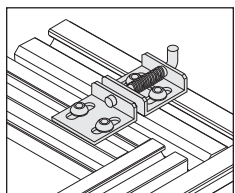
page 465



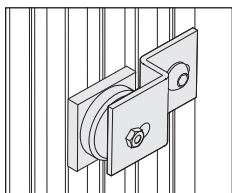
page 465



page 466



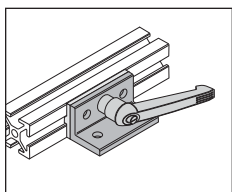
page 467



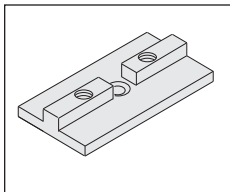
page 468

Section F.9

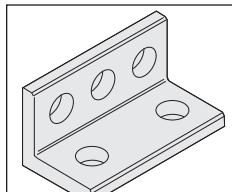
Sliding Components and Bearings



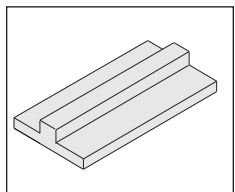
page 469



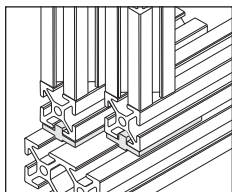
page 470



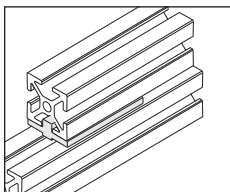
page 471



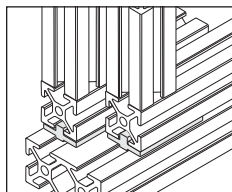
page 472



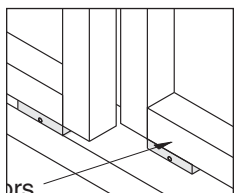
page 473



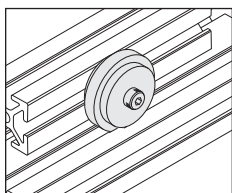
page 474



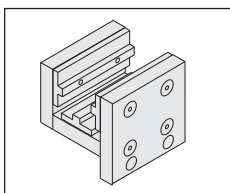
page 475



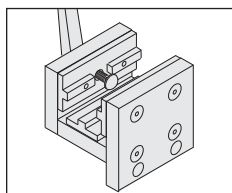
page 476



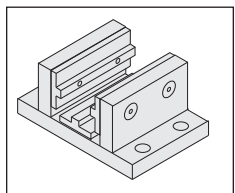
page 477



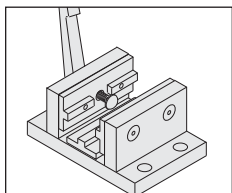
page 478



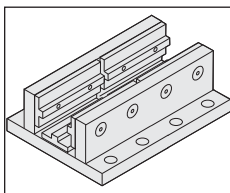
page 479



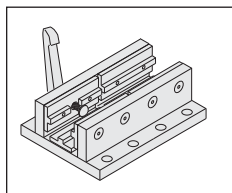
page 480



page 481

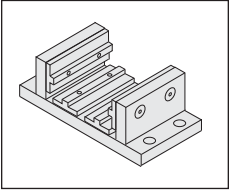


page 482

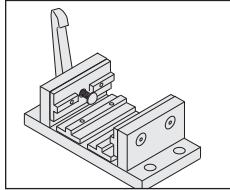


page 483

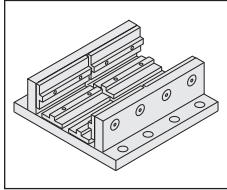
1/4" SLOTS



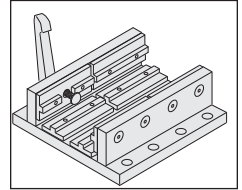
page 484



page 485

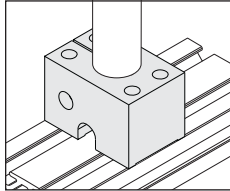


page 486

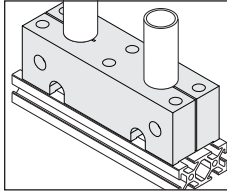


page 487

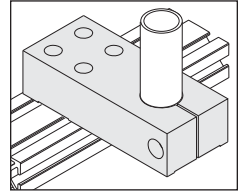
Section E.10 Stanchions



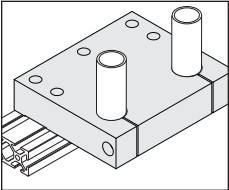
page 488



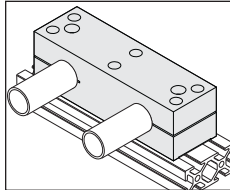
page 489



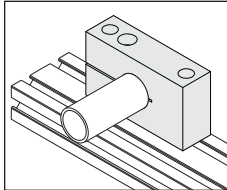
page 490



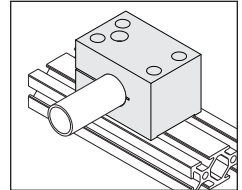
page 491



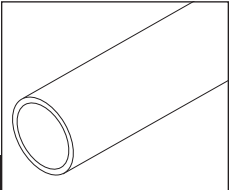
page 492



page 493



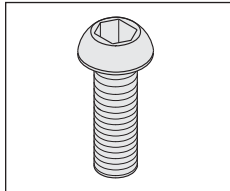
page 494



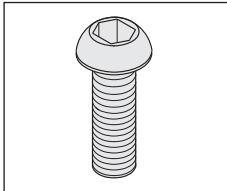
page 495

1/4" SLOTS

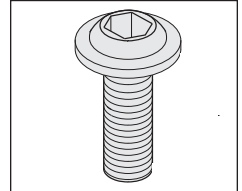
Section E.10 Screws, Nuts & Fasteners



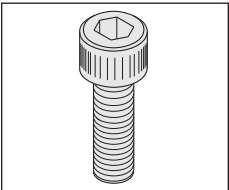
page 496



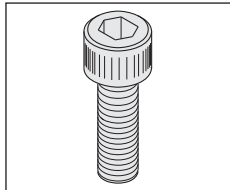
page 497



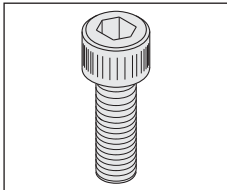
page 497



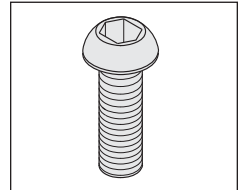
page 498



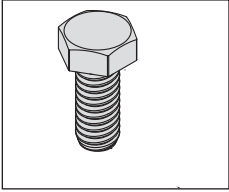
page 499



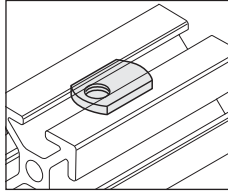
page 500



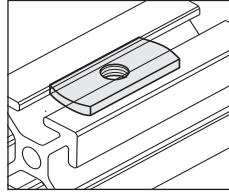
page 500



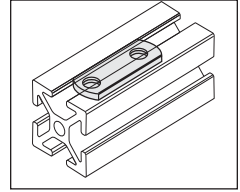
page 501



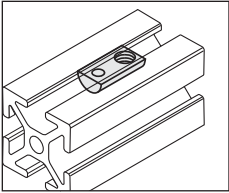
page 502



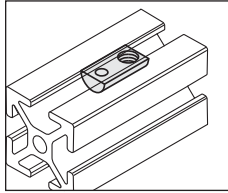
page 503



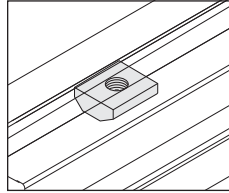
page 504



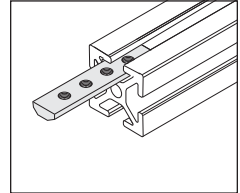
page 505



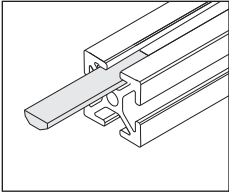
page 506



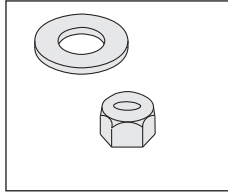
page 507



page 508

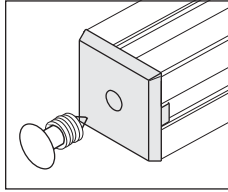


page 509

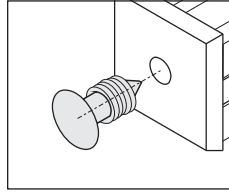


page 510

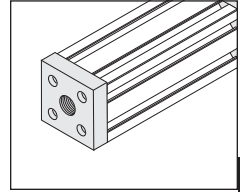
Section E.11 Miscellaneous Components



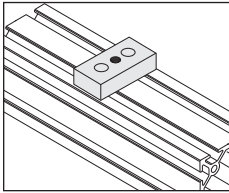
page 511



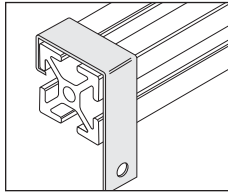
page 512



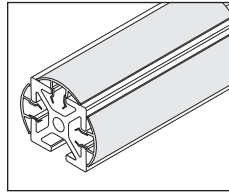
page 513



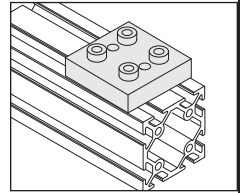
page 514



page 515

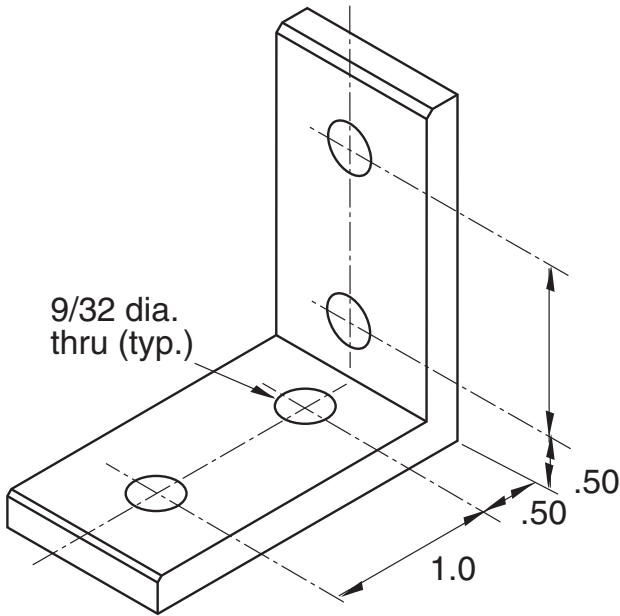


page 516



page 517

1/4" SLOTS

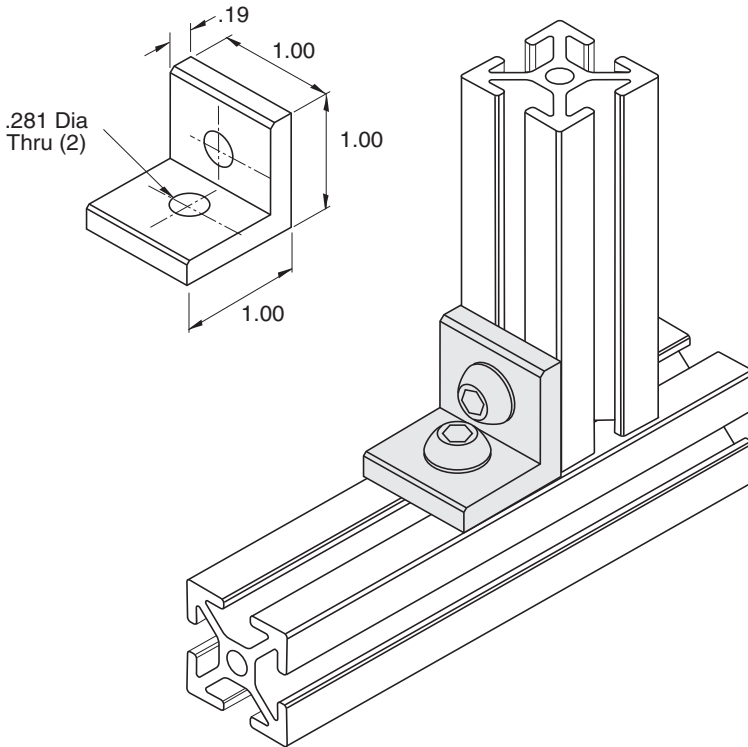


Mounting brackets and plates are made from clear anodized aluminum unless specified.

Mounting and connecting brackets have 9/32" diameter clearance holes which are on .50" or 1.00" centers.

Any deviations are specified.

Recommended torque for fasteners is 12-17 ft lbs.

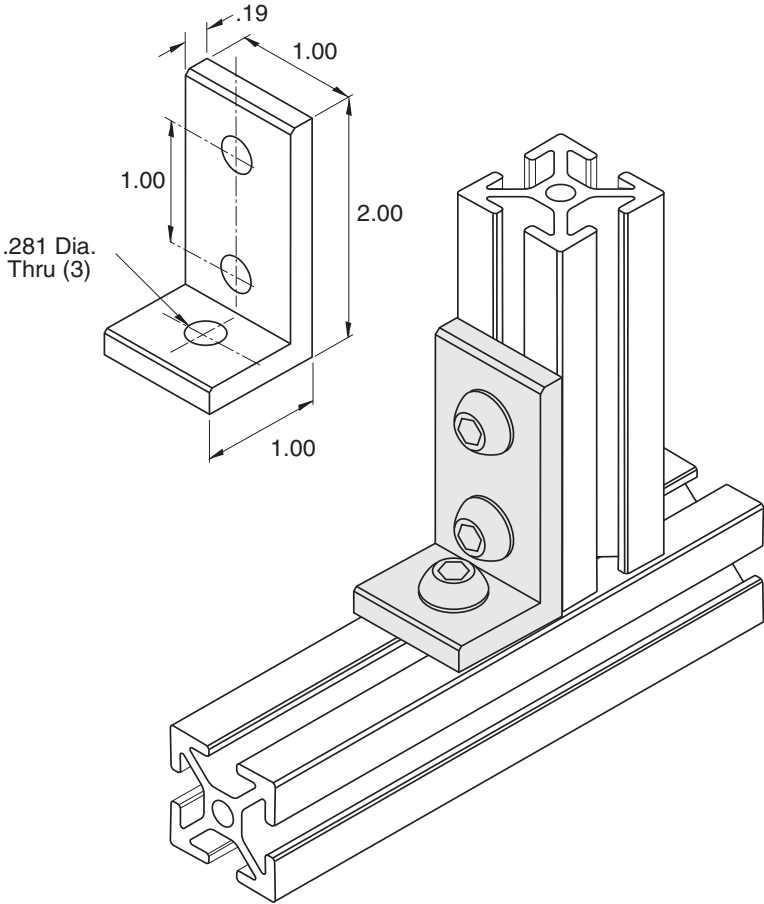


Recommended Hardware
(2) 11-231 BHCS
(2) 11-210 T-nut

Material - Aluminum
Finish - Clear Anodize

1/4" SLOTS

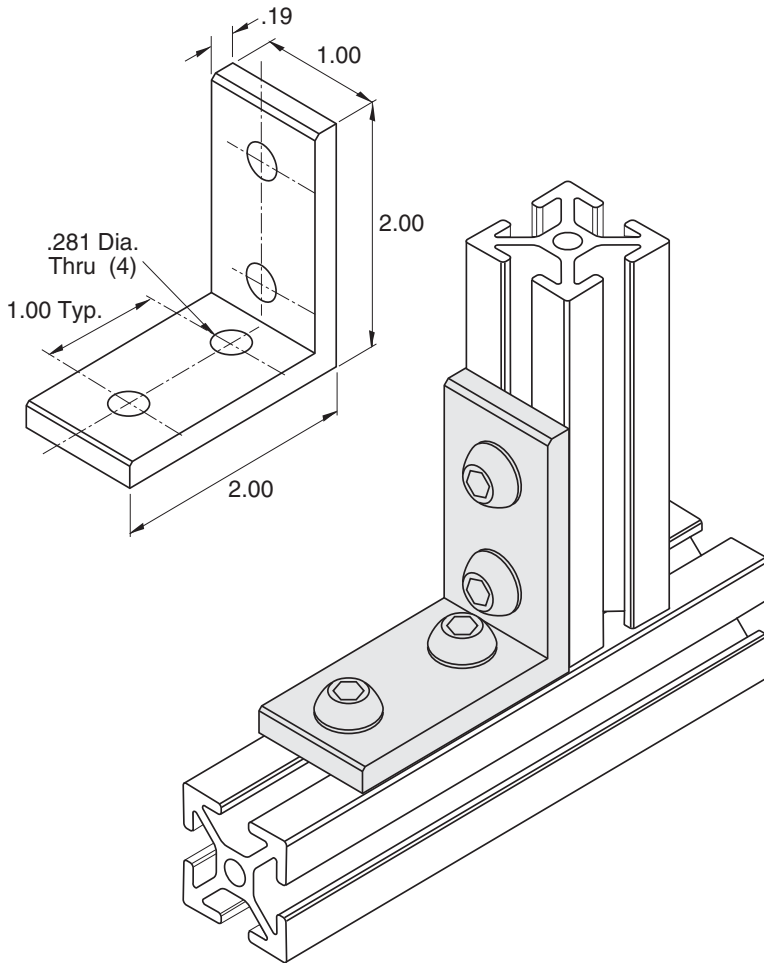
11-2



1/4" SLOTS

Recommended Hardware
(3) 11-231 BHCS
(3) 11-210 T-nut

Material - Aluminum
Finish - Clear Anodize

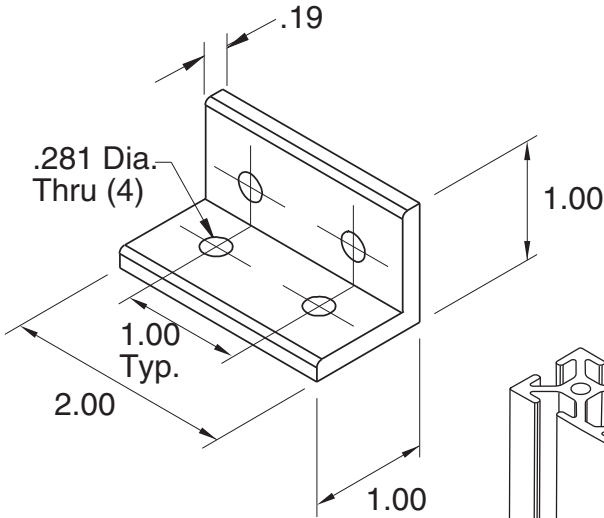


Recommended Hardware
(4) 11-231 BHCS
(4) 11-210 T-nut

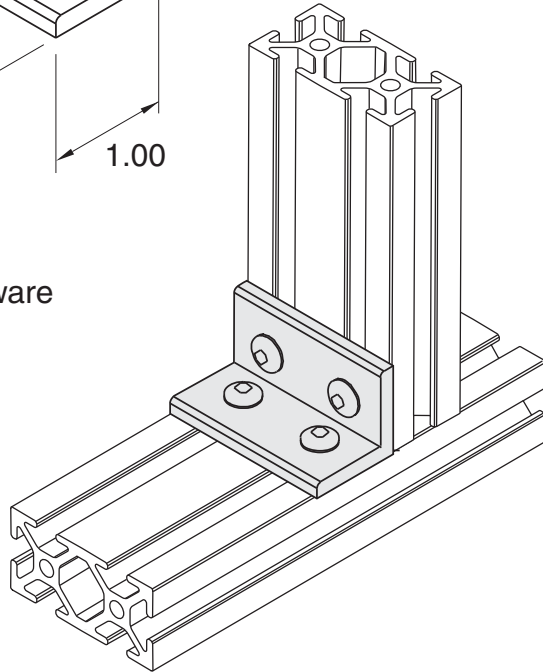
1/4" SLOTS

Material - Aluminum
Finish - Clear Anodize

11-4

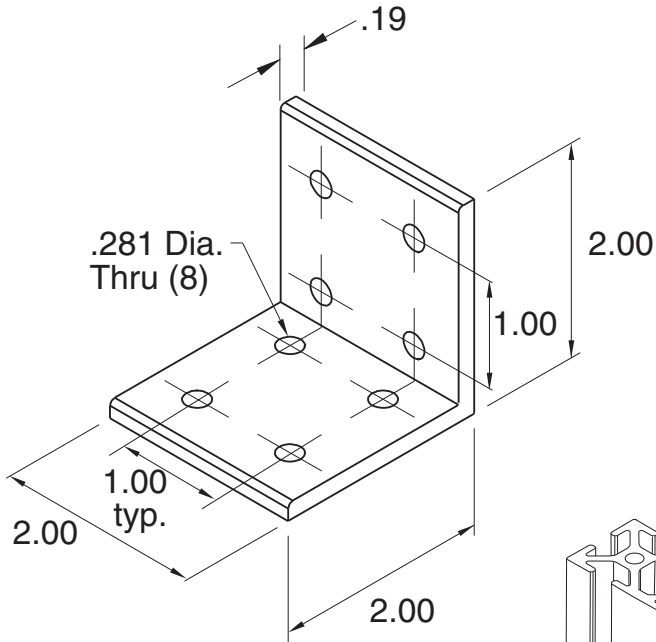


Recommended Hardware
(4) 11-231 BHCS
(4) 11-210 T-nut

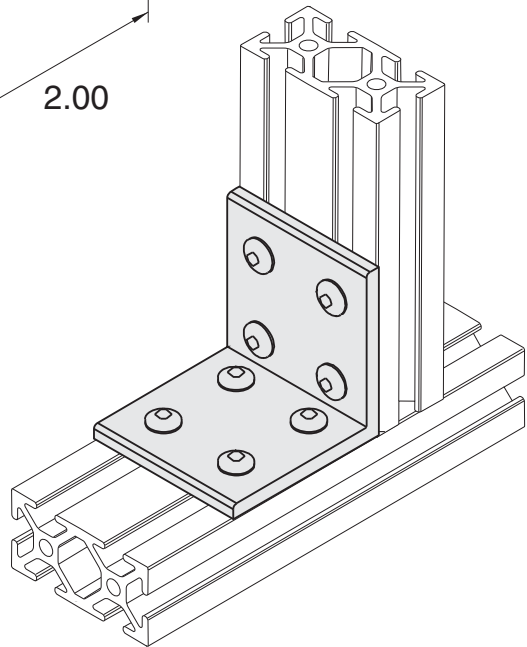


1/4" SLOTS

Material - Aluminum
Finish - Clear Anodize

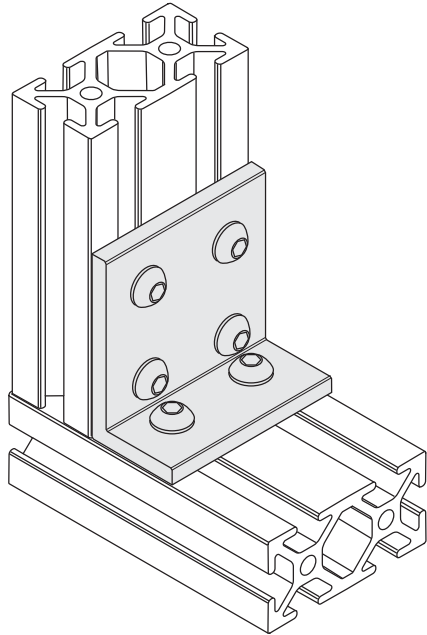
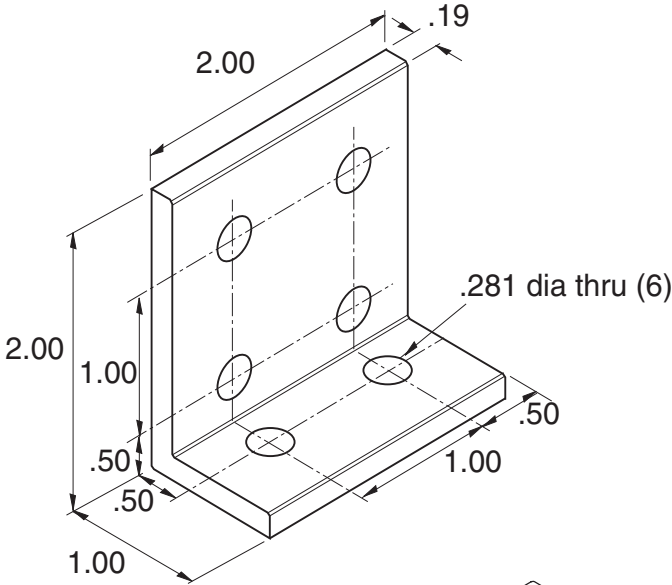


Recommended Hardware
(8) 11-231 BHCS
(8) 11-210 T-nut



Material - Aluminum
Finish - Clear Anodize

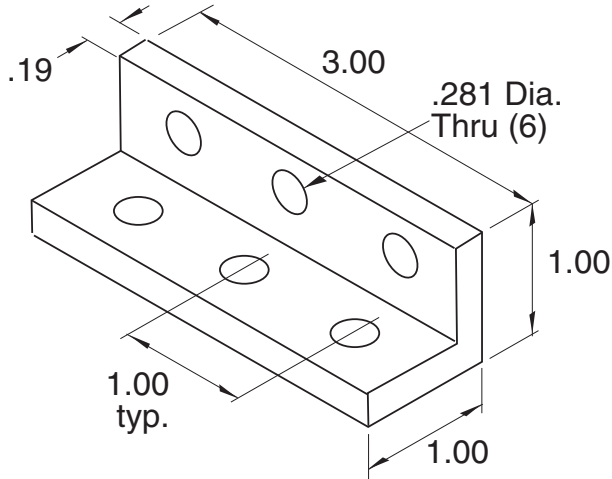
11-80



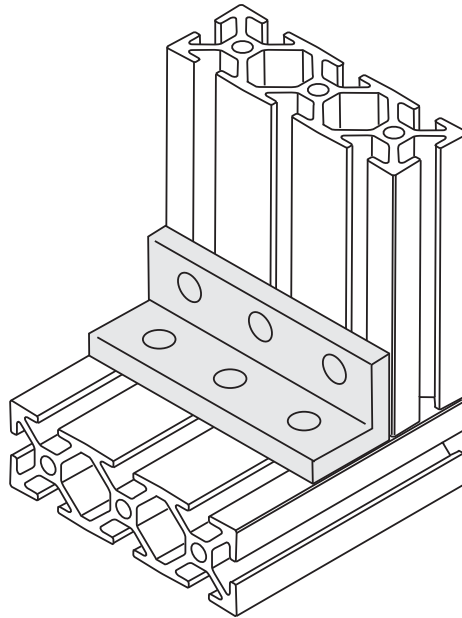
Recommended Hardware
(6) 11-231 BHCS
(6) 11-210 T-nut

1/4" SLOTS

Material - Aluminum
Finish - Clear Anodize



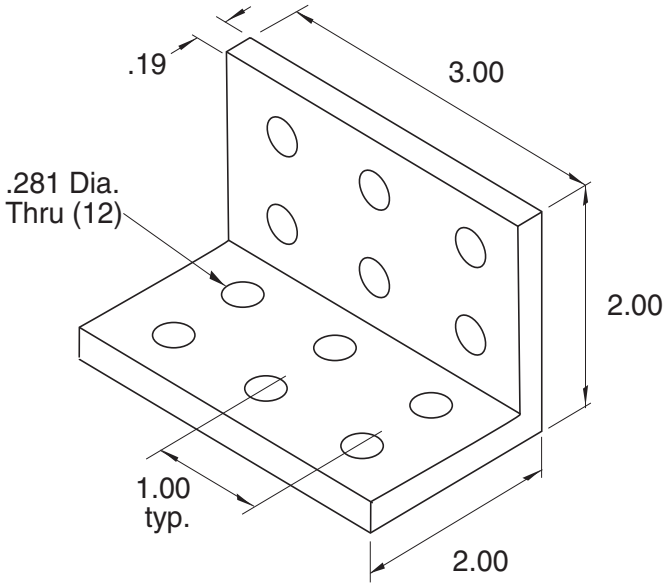
Recommended
Hardware
(6) 11-231 BHCS
(6) 11-210 T-nut



1/4" SLOTS

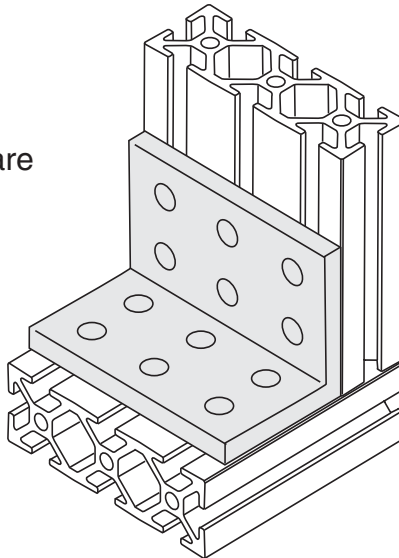
Material - Aluminum
Finish - Clear Anodize

11-14

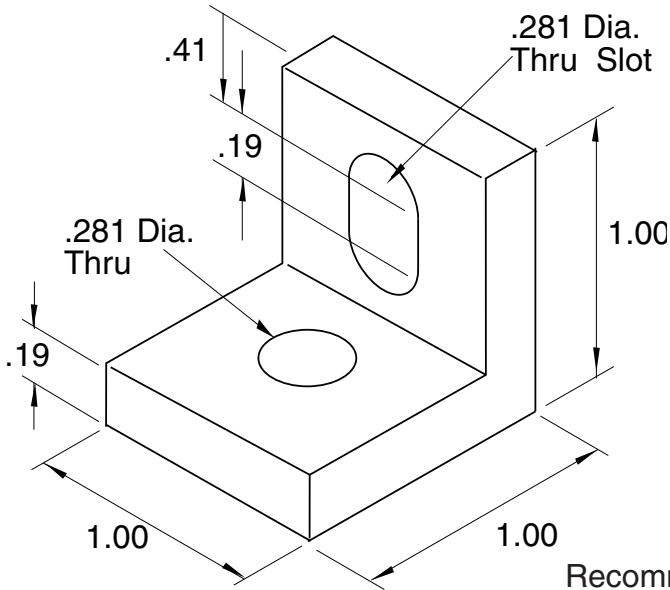


Recommended Hardware
(12) 11-231 BHCS
(12) 11-210 T-nut

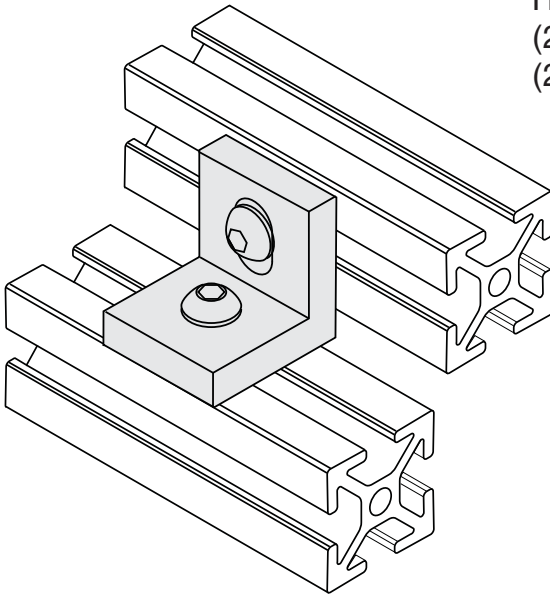
1/4" SLOTS



Material - Aluminum
Finish - Clear Anodize



Recommended
Hardware
(2) 11-231 BHCS
(2) 11-210 T-nut



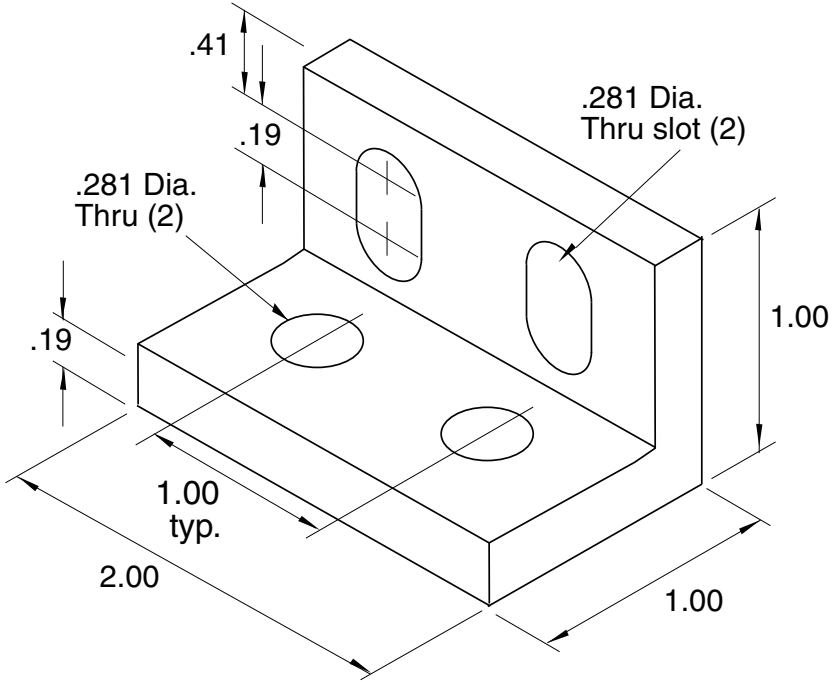
1/4" SLOTS

Material - Aluminum
Finish - Clear Anodize

Slotted Corner Angle

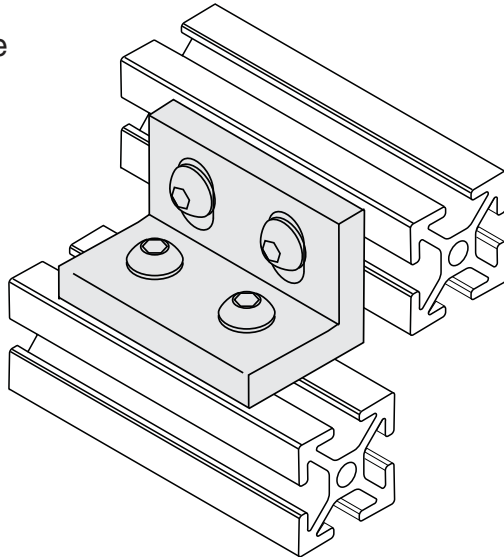


11-16

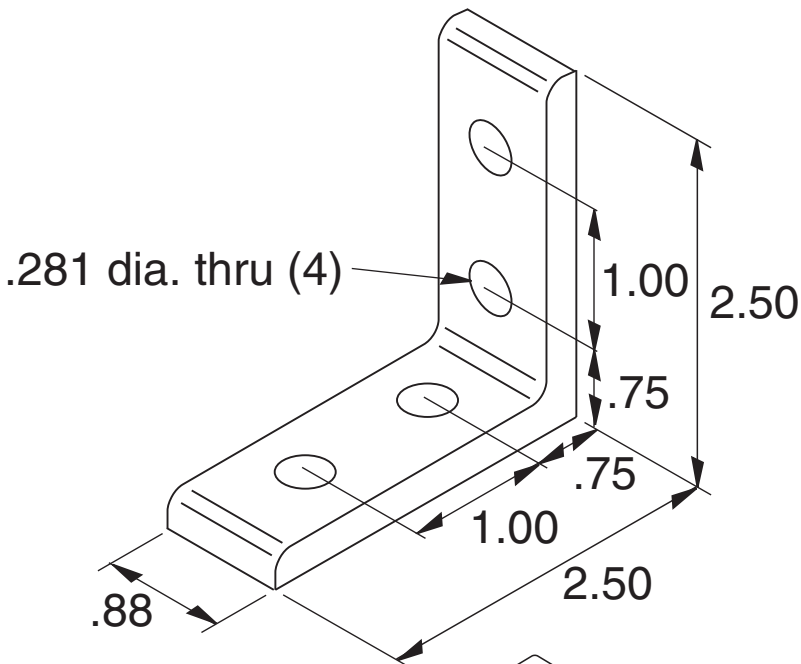


Recommended Hardware
(4) 11-231 BHCS
(4) 11-210 T-nut

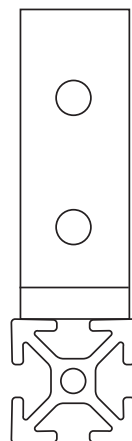
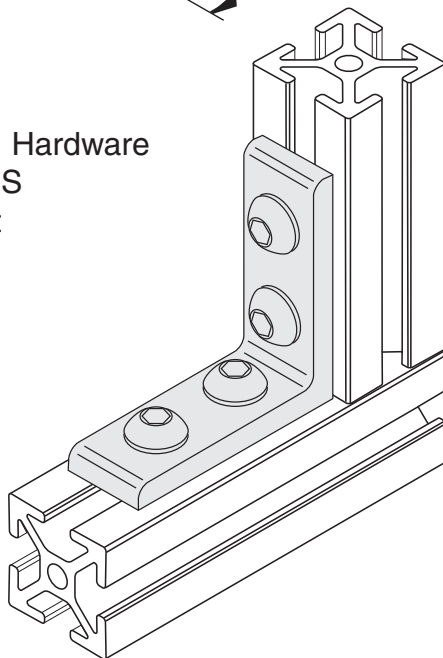
1/4" SLOTS



Material - Aluminum
Finish - Clear Anodize



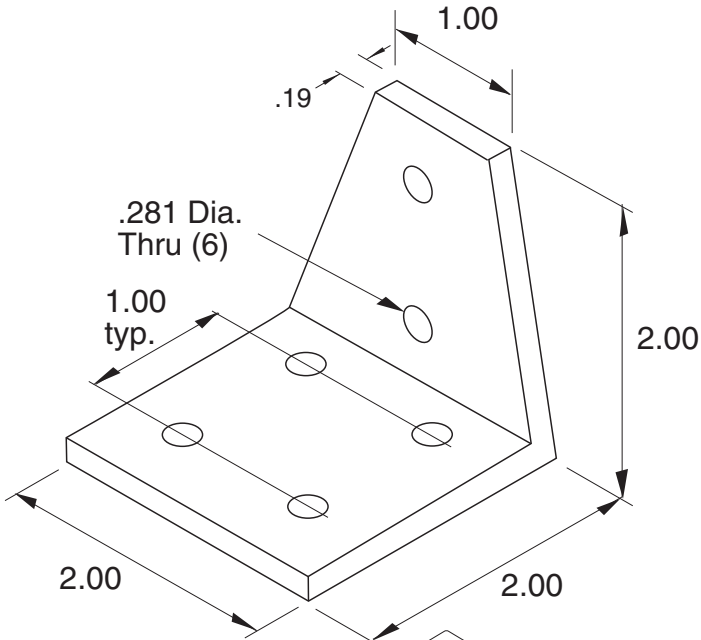
Recommended Hardware
(4) 11-231 BHCS
(4) 11-210 T-nut



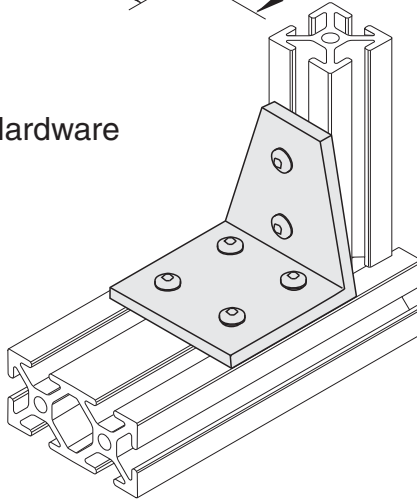
1/4" SLOTS

Material - Aluminum
Finish - Clear Anodize

11-17

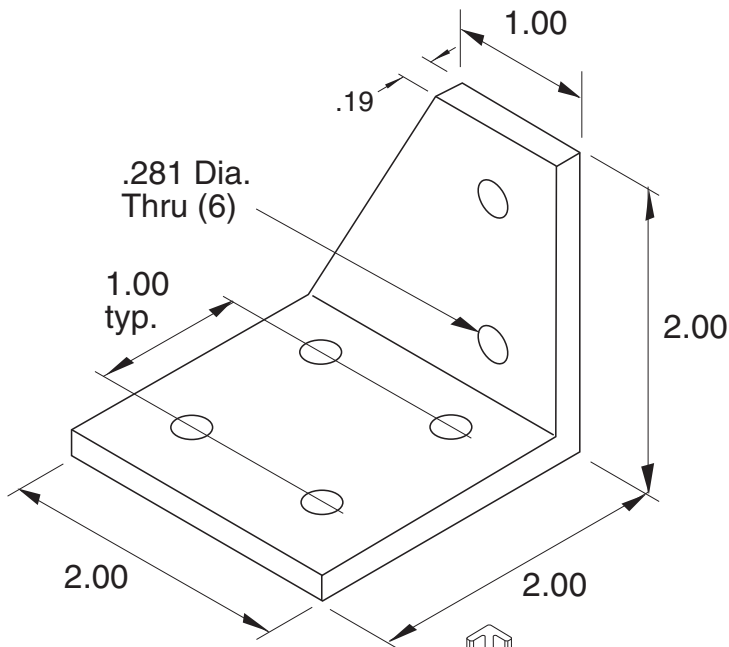


Recommended Hardware
(6) 11-231 BHCS
(6) 11-210 T-nut

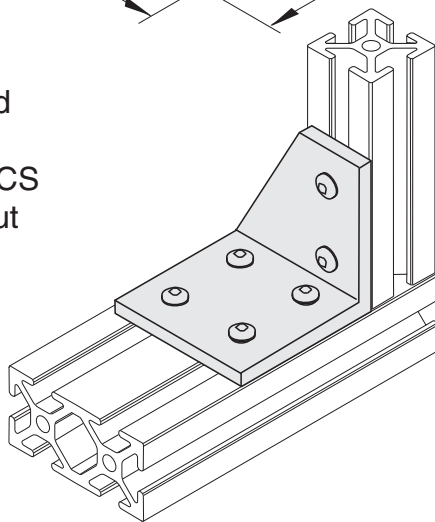


1/4" SLOTS

Material - Aluminum
Finish - Clear Anodize



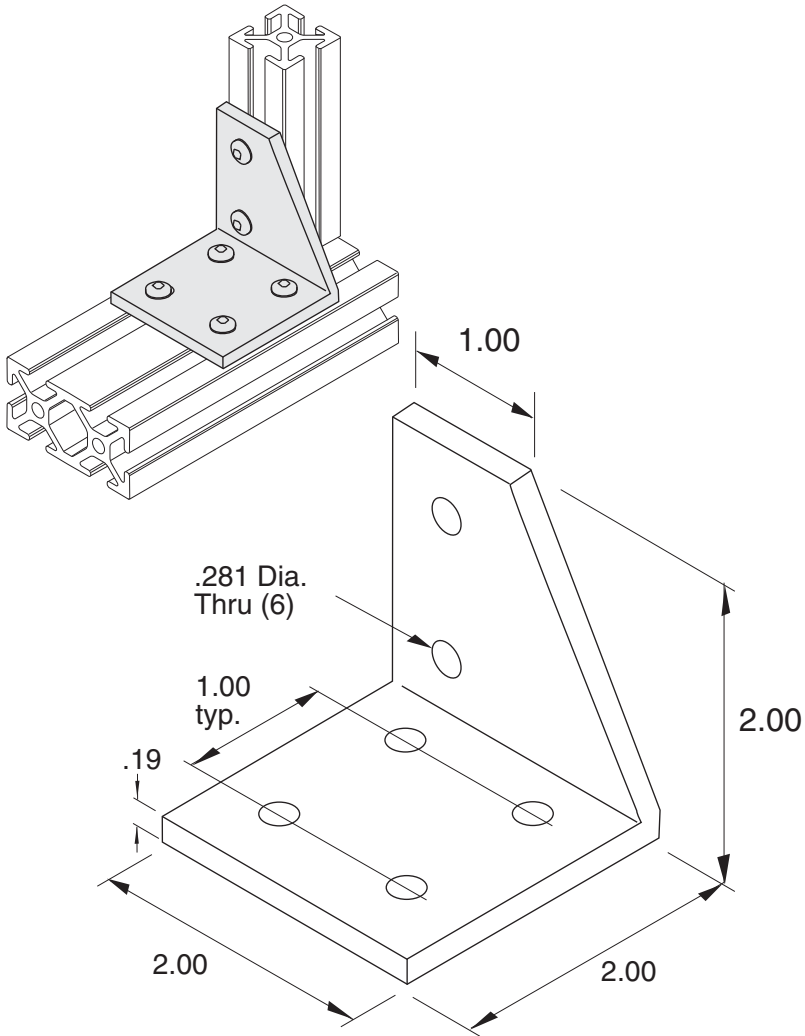
Recommended
Hardware
(6) 11-231 BHCS
(6) 11-210 T-nut



1/4" SLOTS

Material - Aluminum
Finish - Clear Anodize

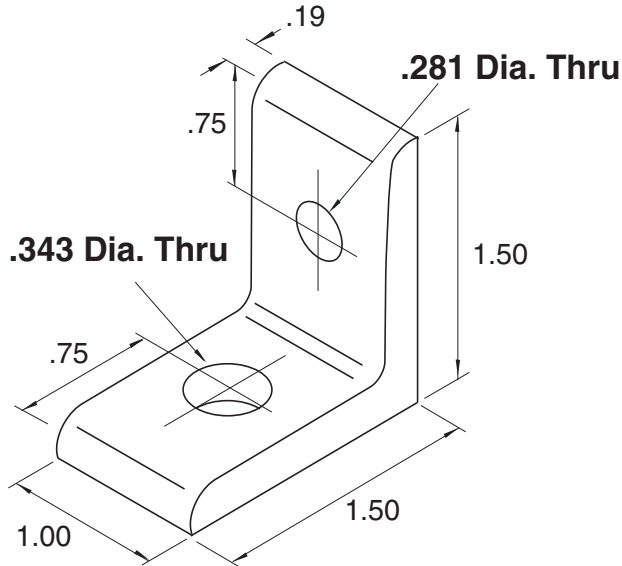
11-37



1/4" SLOTS

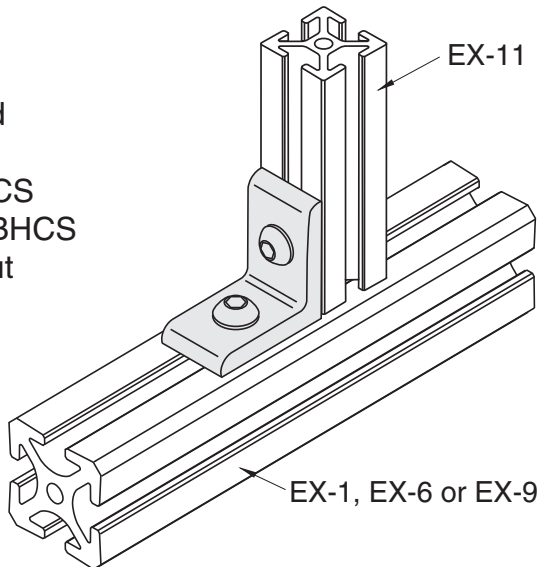
Recommended
Hardware
(6) 11-231 BHCS
(6) 11-210 T-nut

Material - Aluminum
Finish - Clear Anodize



Recommended
Hardware

- (1) 11-231 BHCS
- (1) EF-12-.63 BHCS
- (1) 11-210 T-nut
- (1) EF-2 T-nut



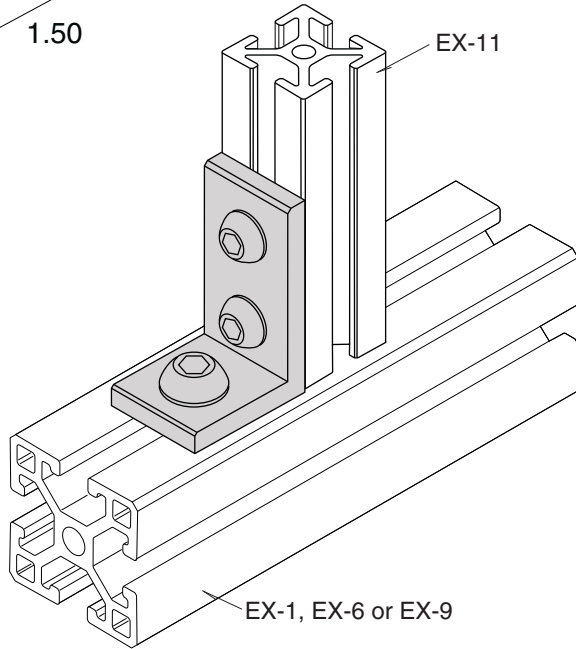
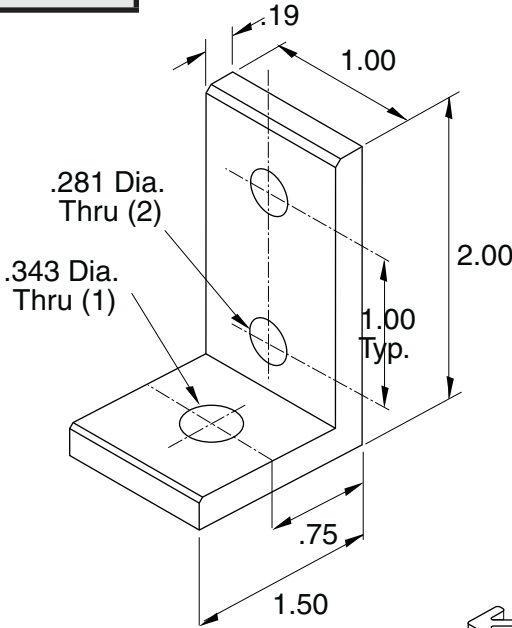
1/4" SLOTS

Material - Aluminum
Finish - Clear Anodize

Transition Corner Angle



11-5

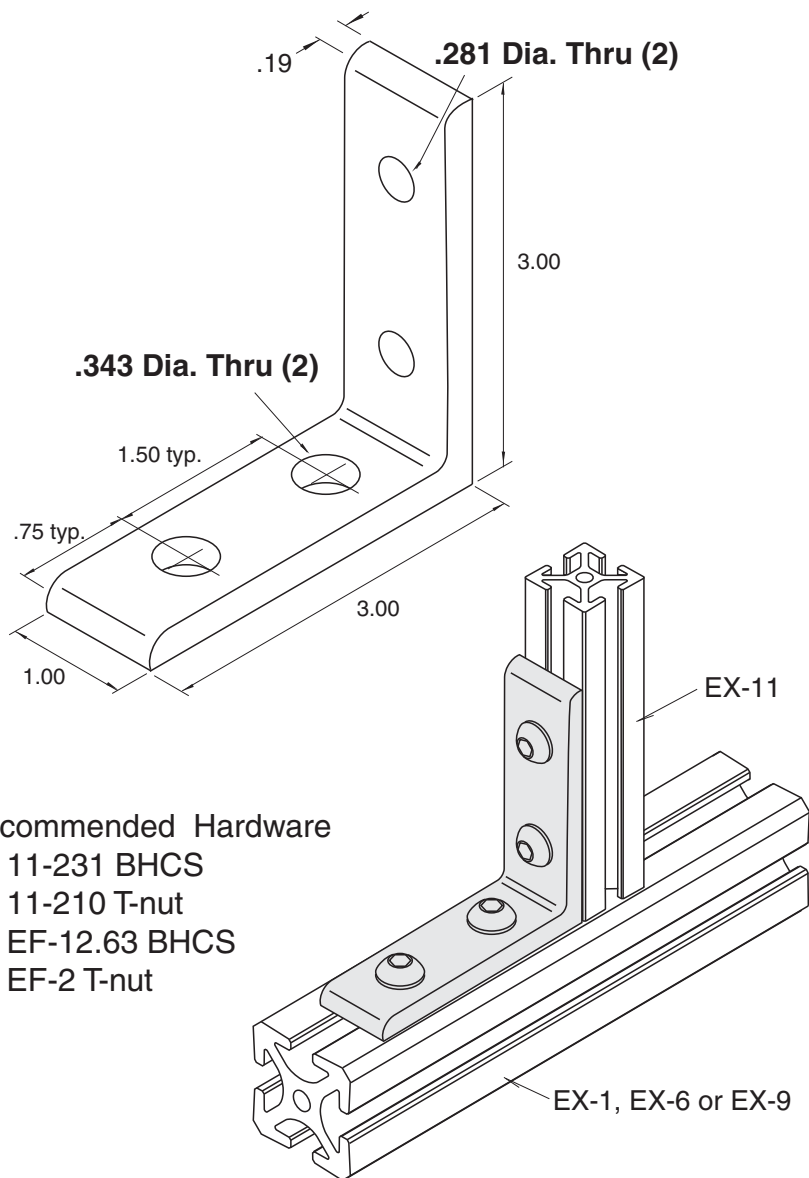


1/4" SLOTS

Recommended Hardware

- (2) 11-231 BHCS
- (2) 11-210 T-nut
- (1) EF-12-.63 BHCS
- (1) EF-2 T-nut

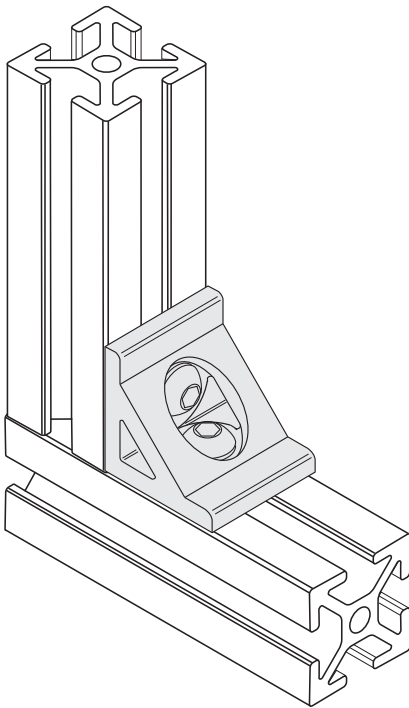
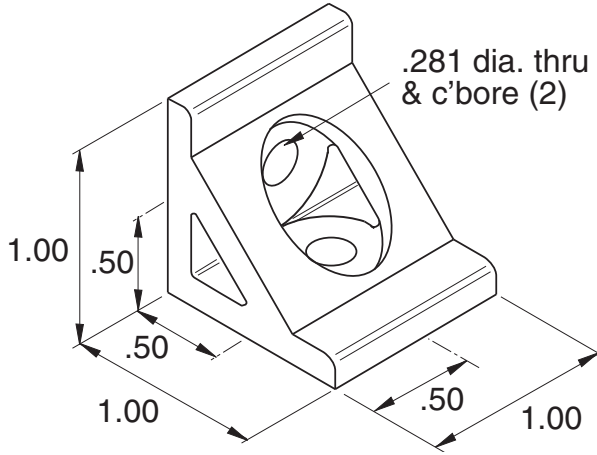
Material - Aluminum
Finish - Clear Anodize

.33 wide slot to .27 wide slot**11-54****Recommended Hardware**

- (2) 11-231 BHCS
- (2) 11-210 T-nut
- (2) EF-12.63 BHCS
- (2) EF-2 T-nut

Material - Aluminum
Finish - Clear Anodize

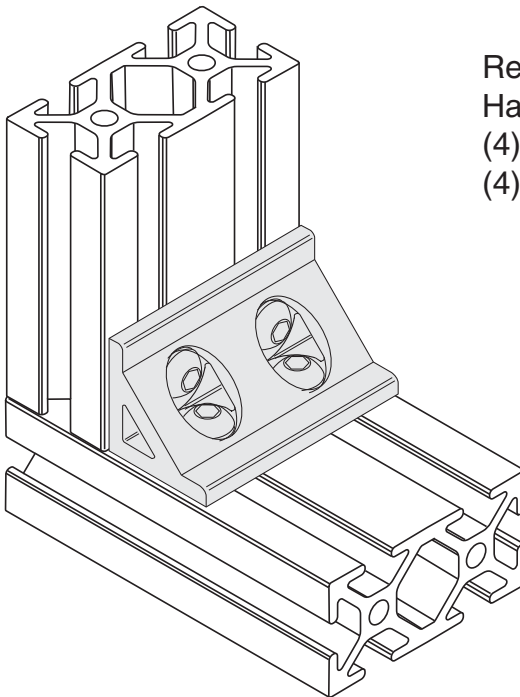
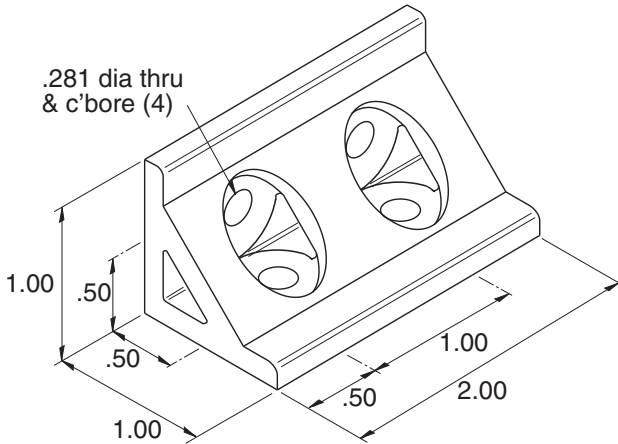
11-160



Recommended
Hardware
(2) 11-231 BHCS
(2) 11-210 T-nut

1/4" SLOTS

Material - Aluminum
Finish - Clear Anodize

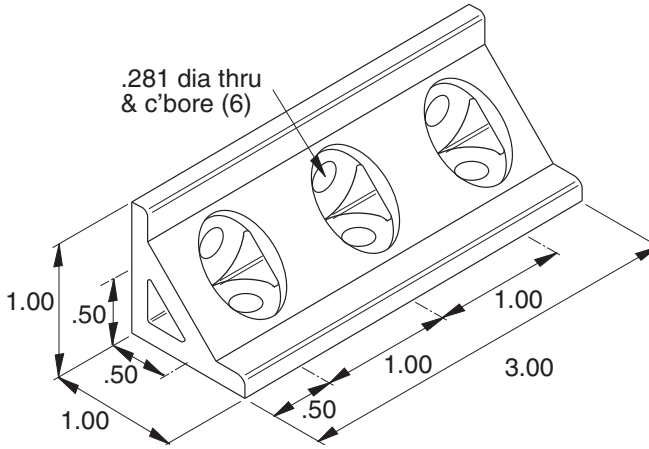


Recommended
Hardware
(4) 11-231 BHCS
(4) 11-210 T-nut

Material - Aluminum
Finish - Clear Anodize

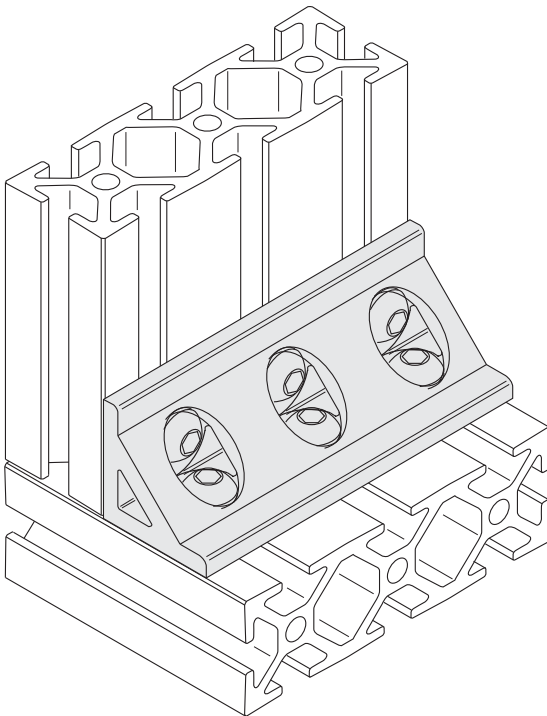
1/4" SLOTS

11-162

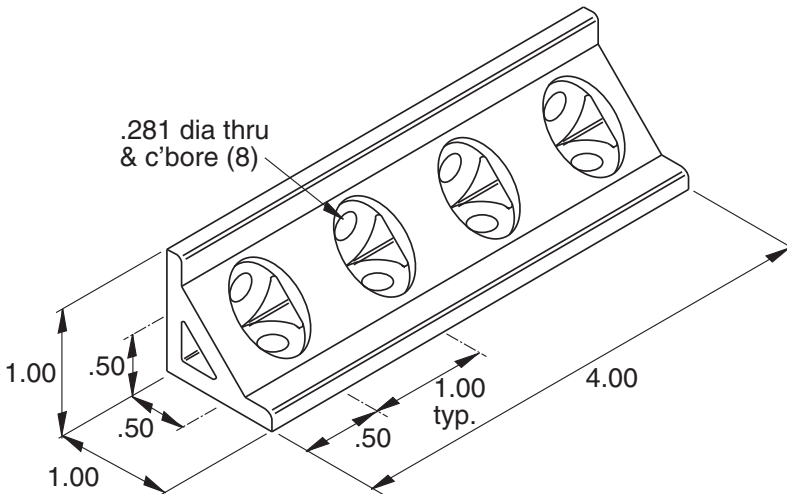


Recommended
Hardware
(6) 11-231 BHCS
(6) 11-210 T-nut

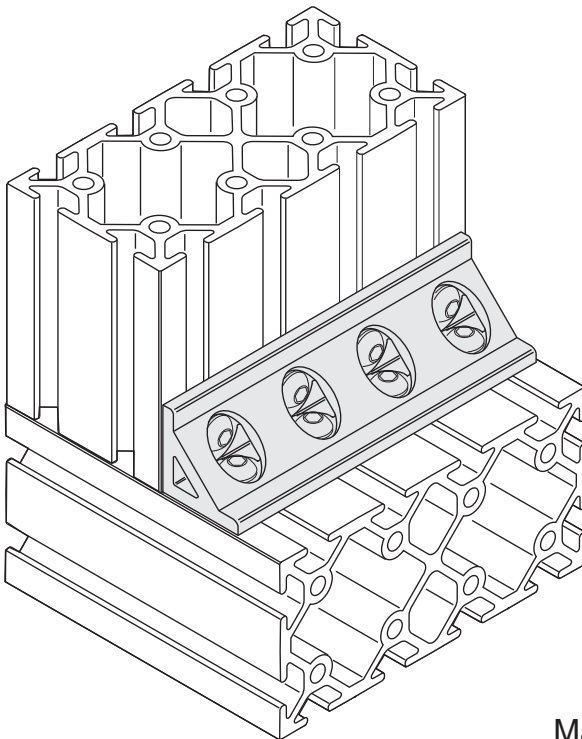
1/4" SLOTS



Material - Aluminum
Finish - Clear Anodize



Recommended
Hardware
(8) 11-231 BHCS
(8) 11-210 T-nut



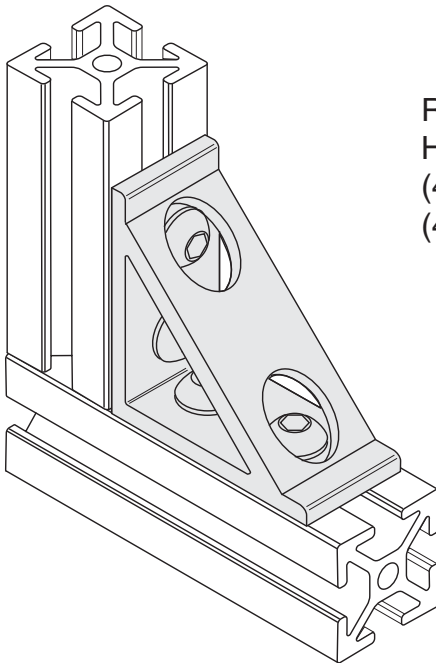
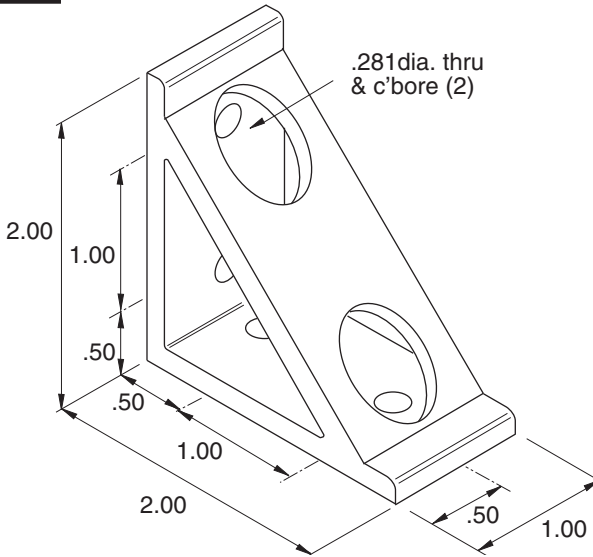
Material - Aluminum
Finish - Clear Anodize

1/4" SLOTS

Corner Gusset



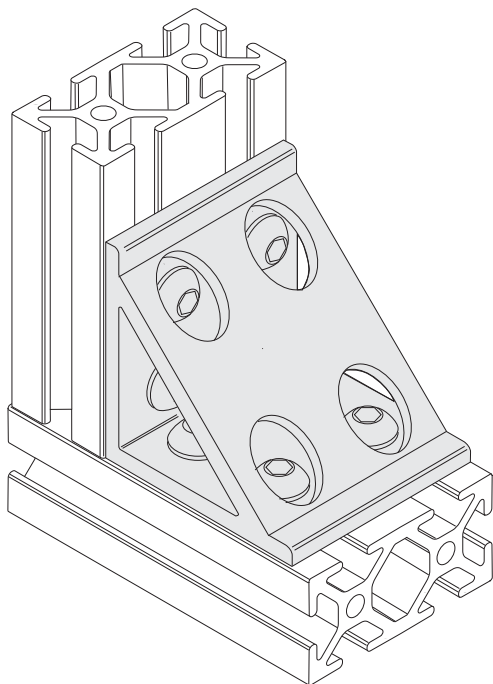
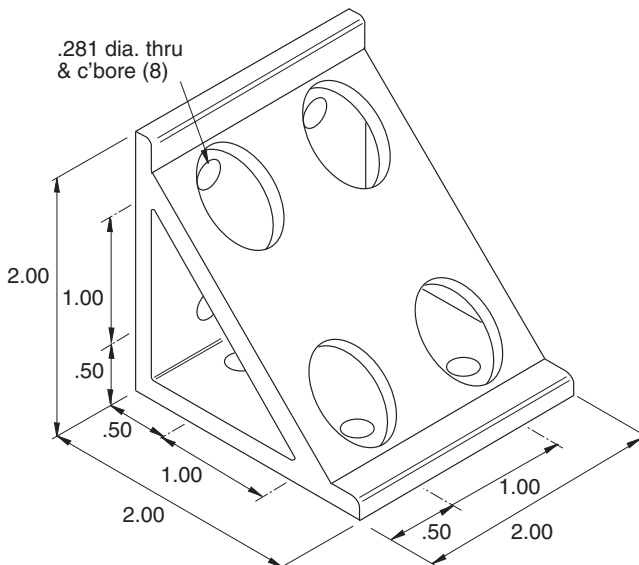
11-170



Recommended
Hardware
(4) 11-231 BHCS
(4) 11-210 T-nut

1/4" SLOTS

Material - Aluminum
Finish - Clear Anodize



**Recommended
Hardware**
(8) 11-231 BHCS
(8) 11-210 T-nut

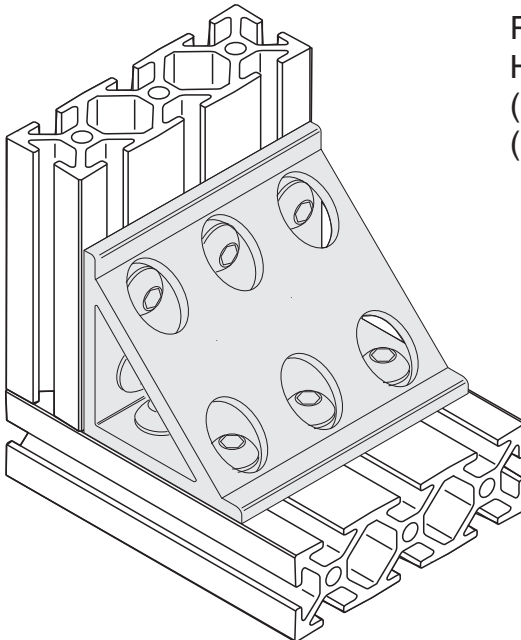
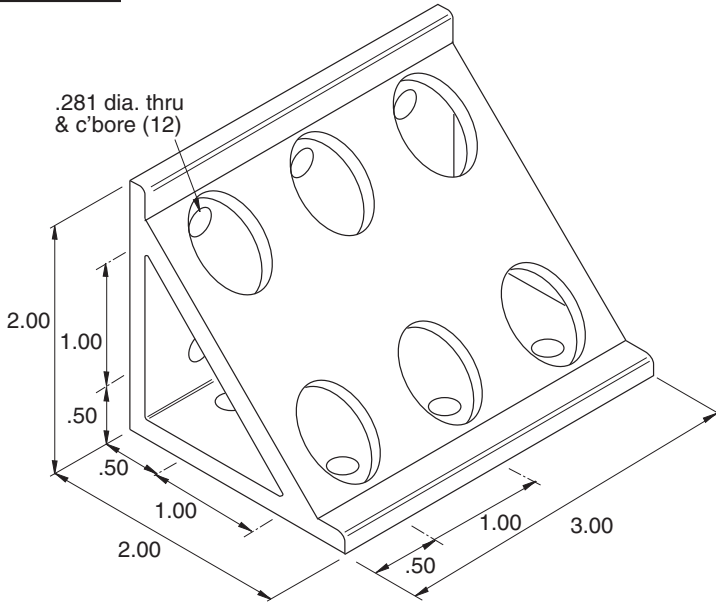
1/4" SLOTS

**Material - Aluminum
Finish - Clear Anodize**

Corner Gusset



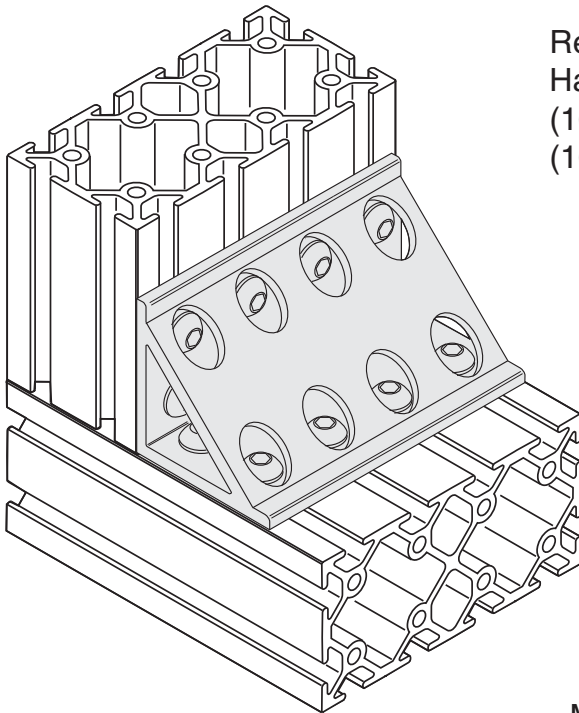
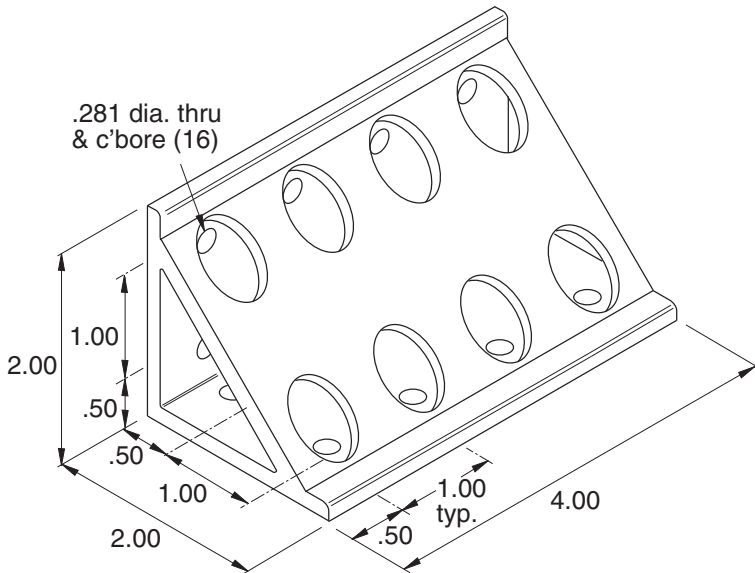
11-172



Recommended Hardware
(12) 11-231 BHCS
(12) 11-210 T-nut

1/4" SLOTS

Material - Aluminum
Finish - Clear Anodize

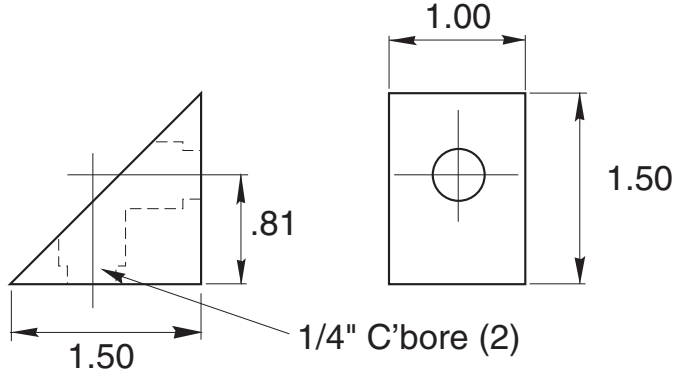


Recommended
Hardware
(16) 11-231 BHCS
(16) 11-210 T-nut

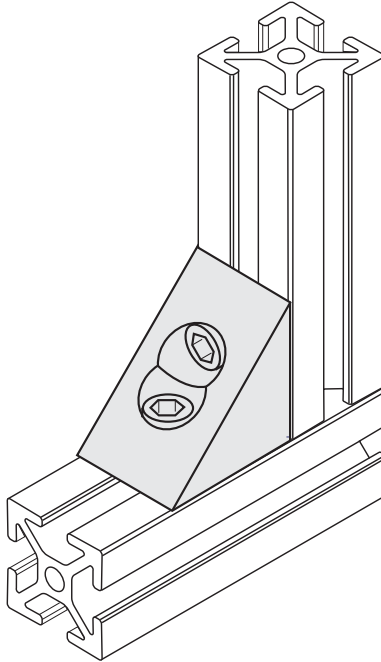
1/4" SLOTS

Material - Aluminum
Finish - Clear Anodize

11-29

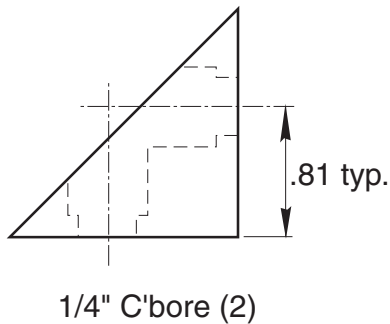
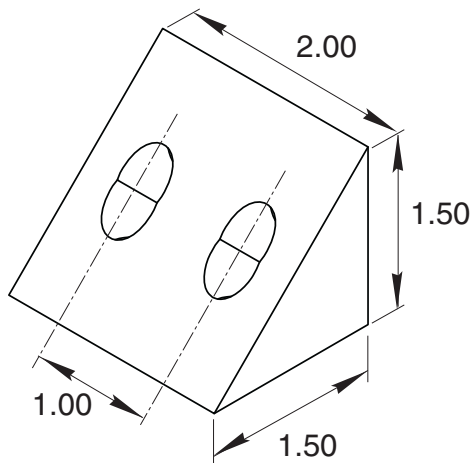


Recommended
Hardware
(2) 11-221 SHCS
(2) 11-210 T-nut

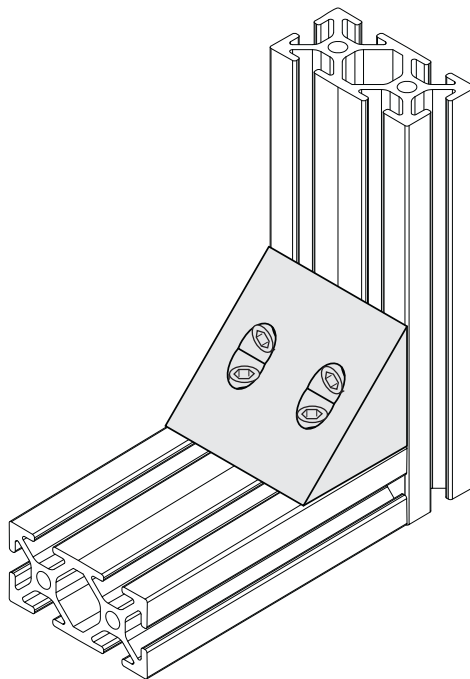


1/4" SLOTS

Material - Aluminum
Finish - Clear Anodize



Recommended
Hardware
(4) 11-221 SHCS
(4) 11-210 T-nut



1/4" SLOTS

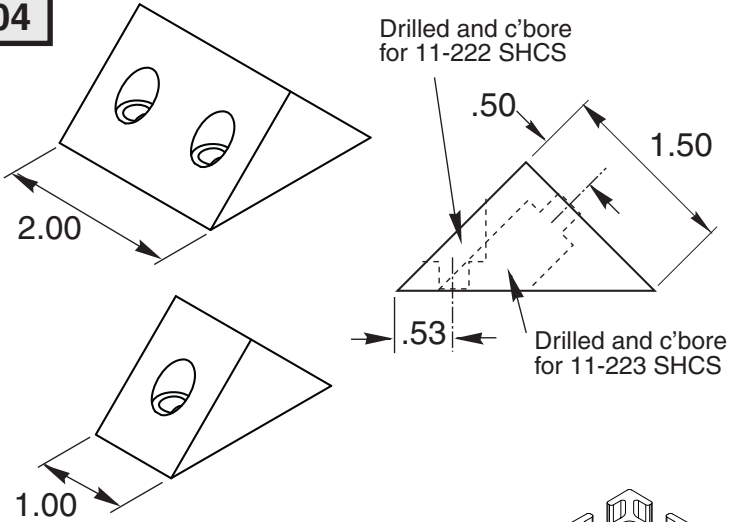
Material - Aluminum
Finish - Clear Anodize

Angle Blocks



11-103
11-104

11-104



11-103

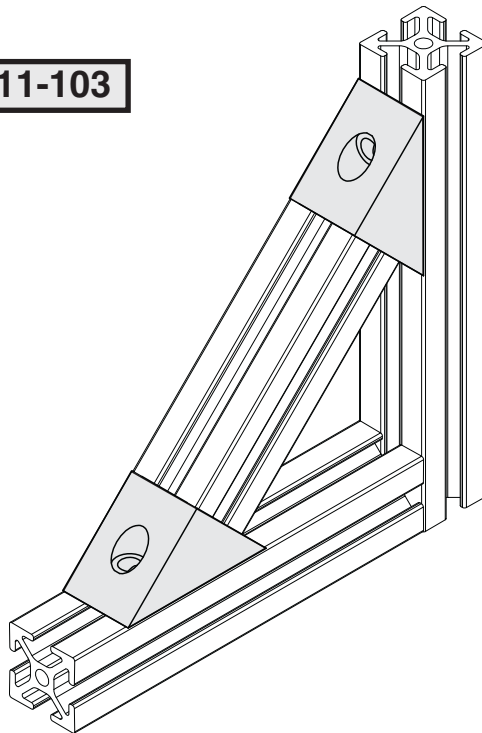
Recommended Hardware

11-103

- (1) 11-222 SHCS
- (1) 11-223 SHCS
- (1) 11-210 T-nut

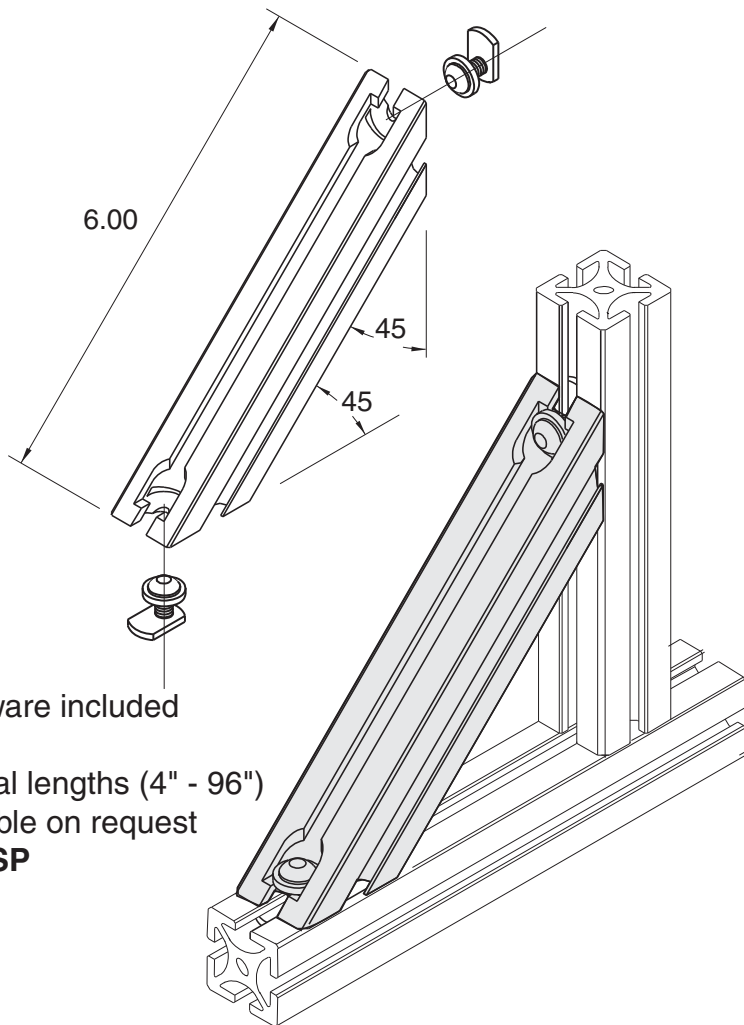
11-104

- (2) 11-222 SHCS
- (2) 11-223 SHCS
- (2) 11-210 T-nut



Material - Aluminum
 Finish - Clear Anodize

1/4" SLOTS



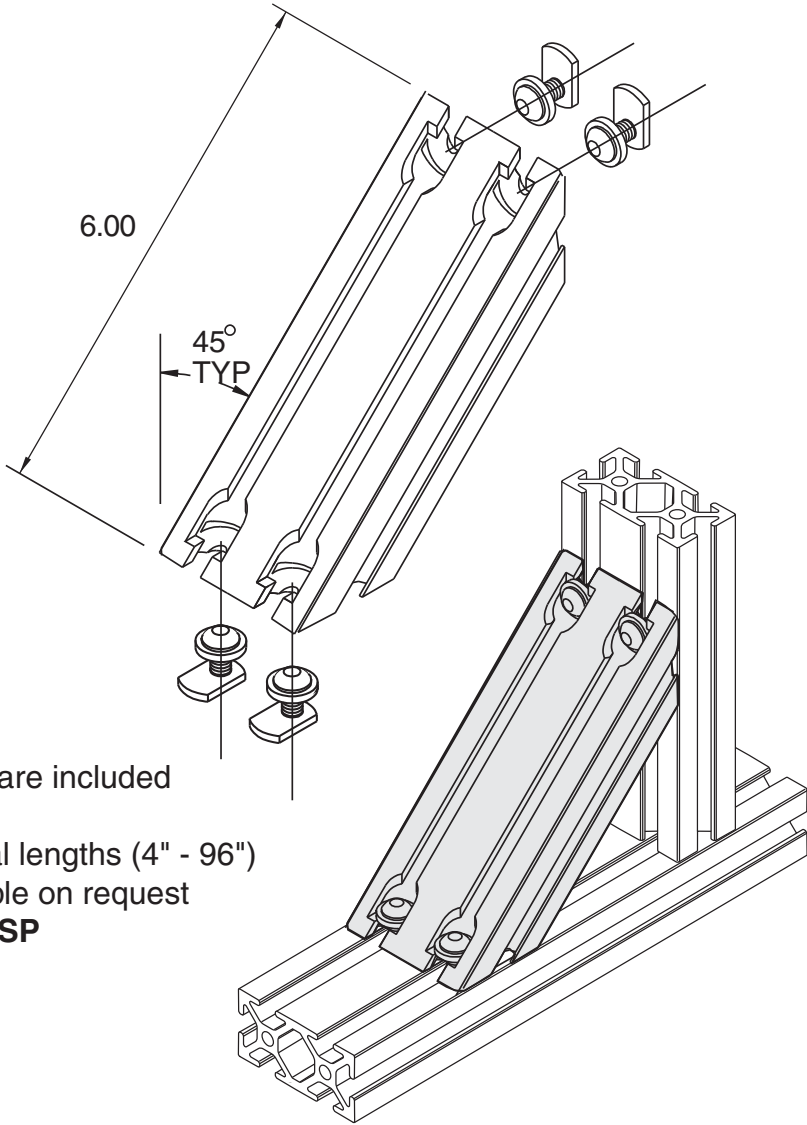
Hardware included

Special lengths (4" - 96")
available on request
11-7-SP

Material - Aluminum (EX-11)
Finish - Clear Anodize

1/4" SLOTS

11-12

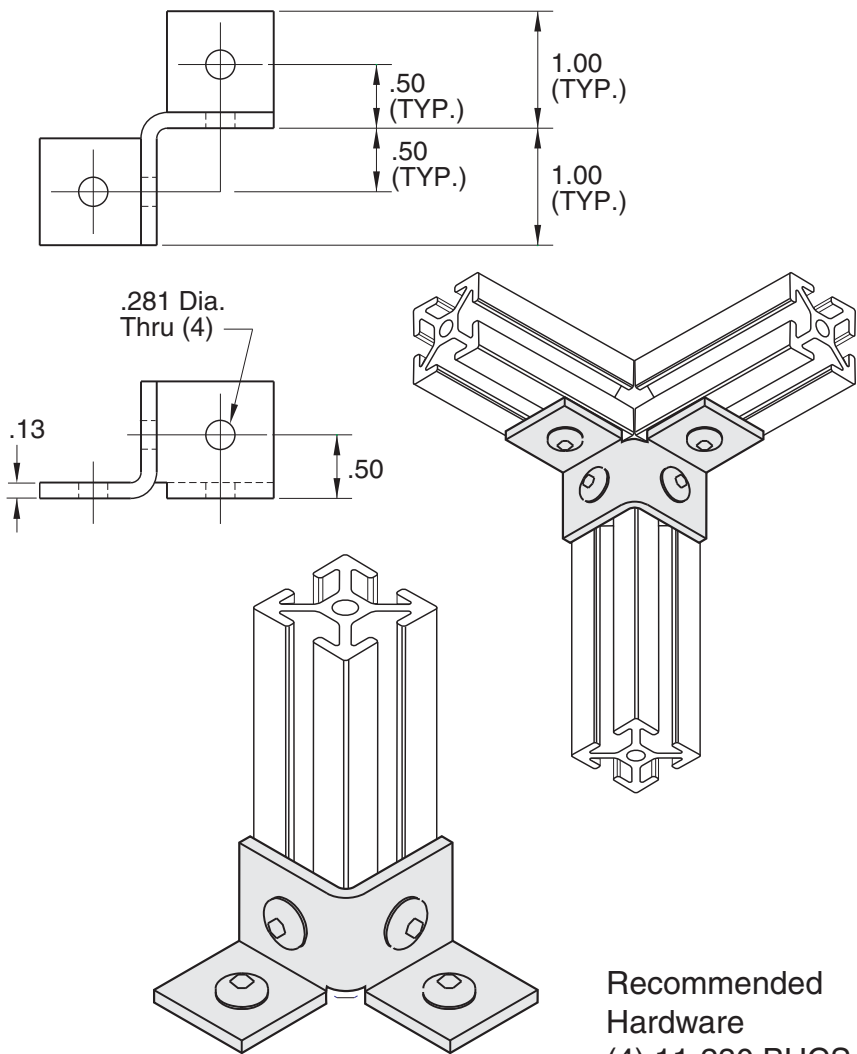


Hardware included

Special lengths (4" - 96")
available on request
11-12-SP

1/4" SLOTS

Material - Aluminum (EX-12)
Finish - Clear Anodize



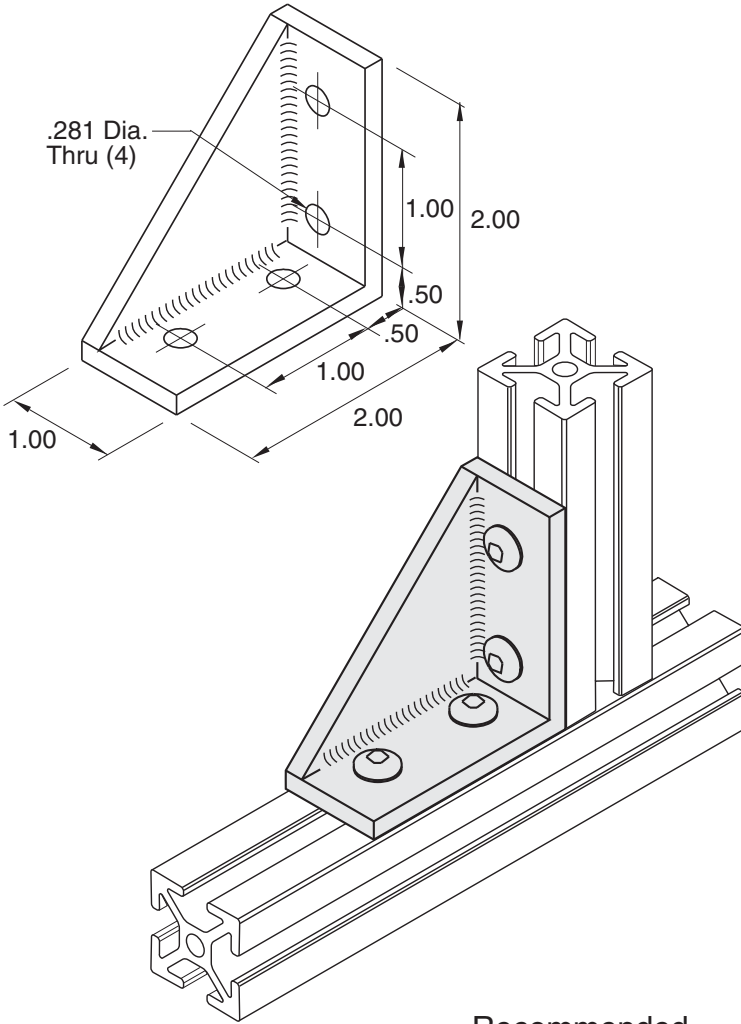
1/4" SLOTS

Material - Steel
 Finish - Zinc Plating

Steel Angle Bracket



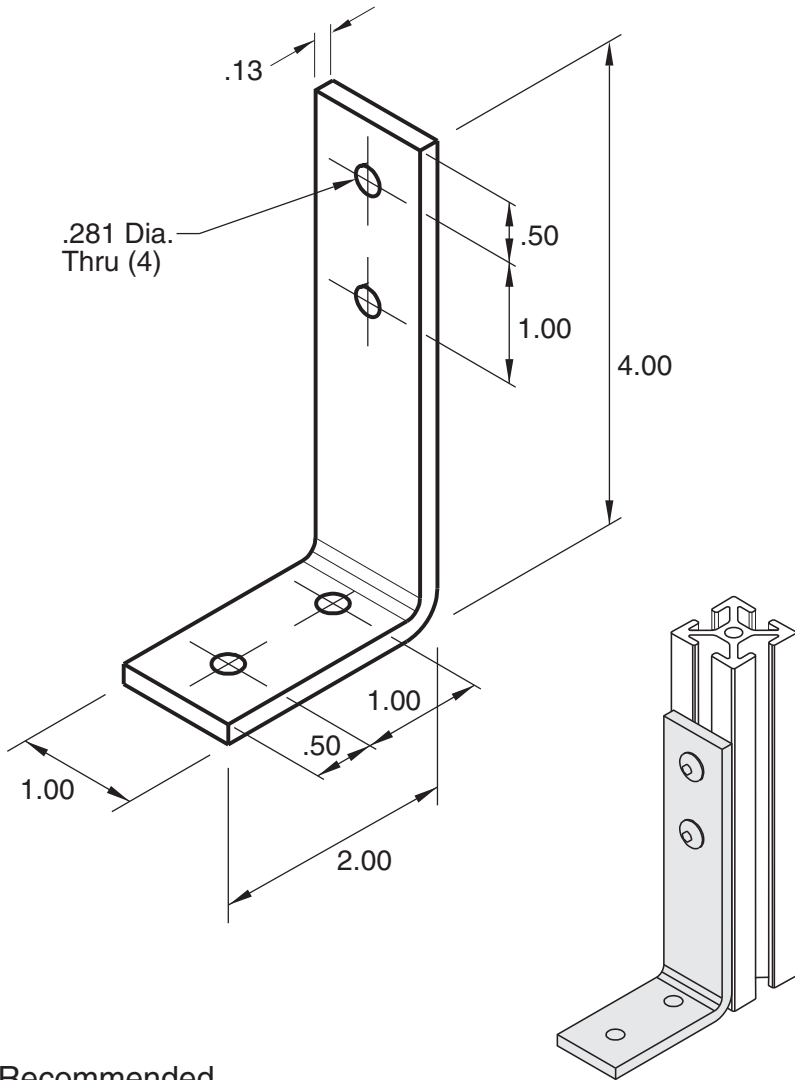
11-60



1/4" SLOTS

Recommended
Hardware
(4) 11-230 BHCS
(4) 11-210 T-nut

Material - Steel
Finish - Black Powder Coat



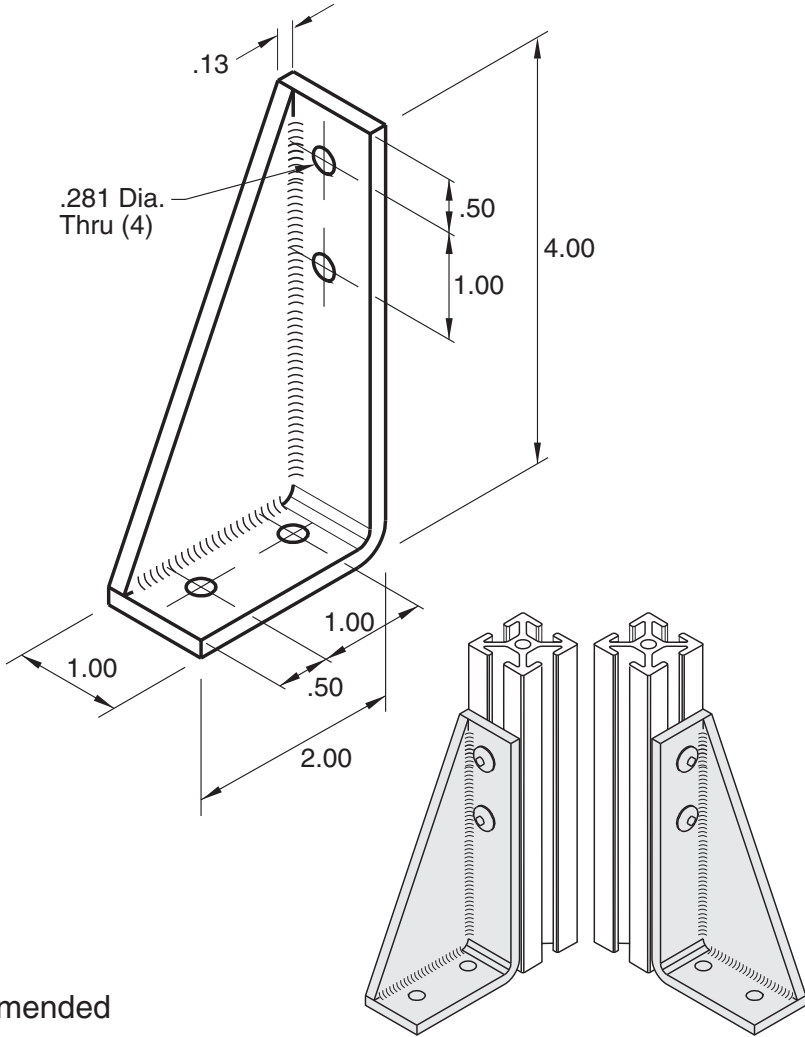
Recommended
Hardware
(4) 11-230 BHCS
(4) 11-210 T-nut

Material - Steel
Finish - Black Powder Coat

Welded Steel Angle Bracket



11-61	Left Hand
11-62	Right Hand



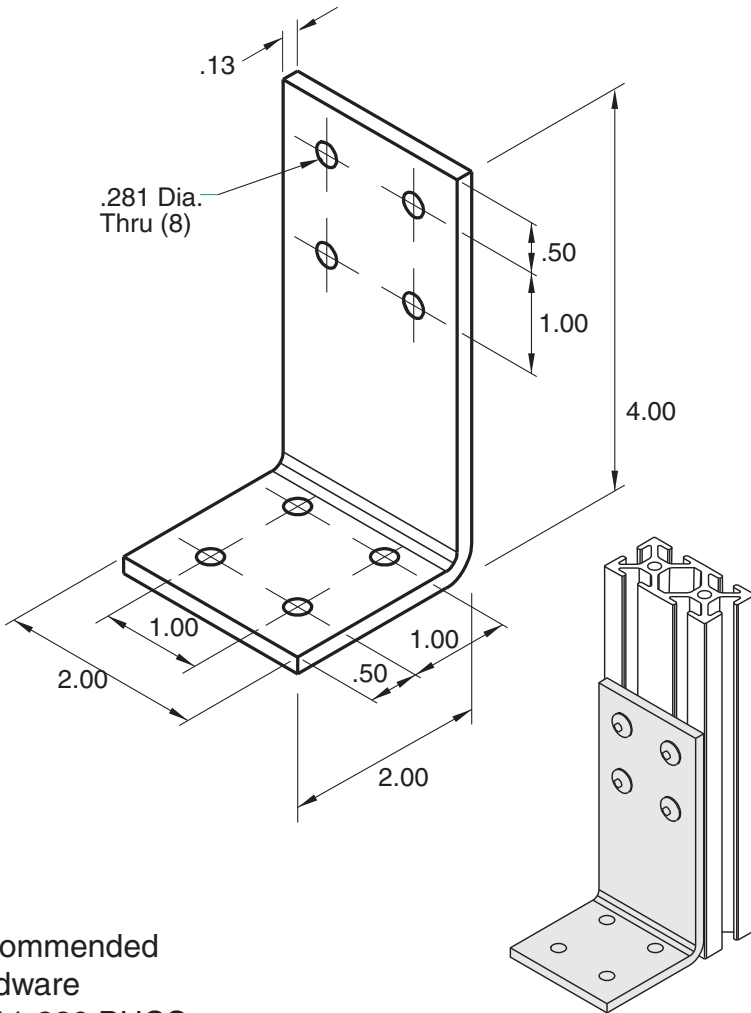
1/4" SLOTS

Recommended Hardware
 (4) 11-230 BHCS
 (4) 11-210 T-nut

11-61
Left Hand

11-62
Right Hand

Material - Steel
 Finish - Black Powder Coat

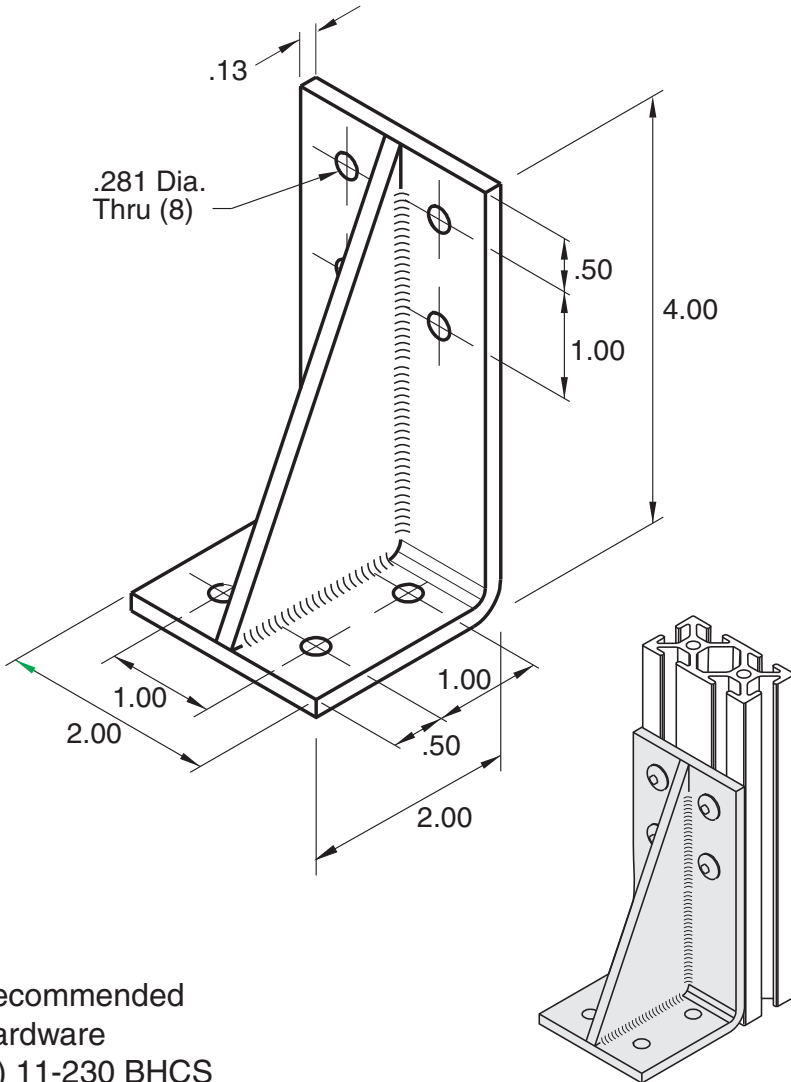


Recommended
Hardware
(8) 11-230 BHCS
(8) 11-210 T-nut

1/4" SLOTS

Material - Steel
Finish - Black Powder Coat

11-63

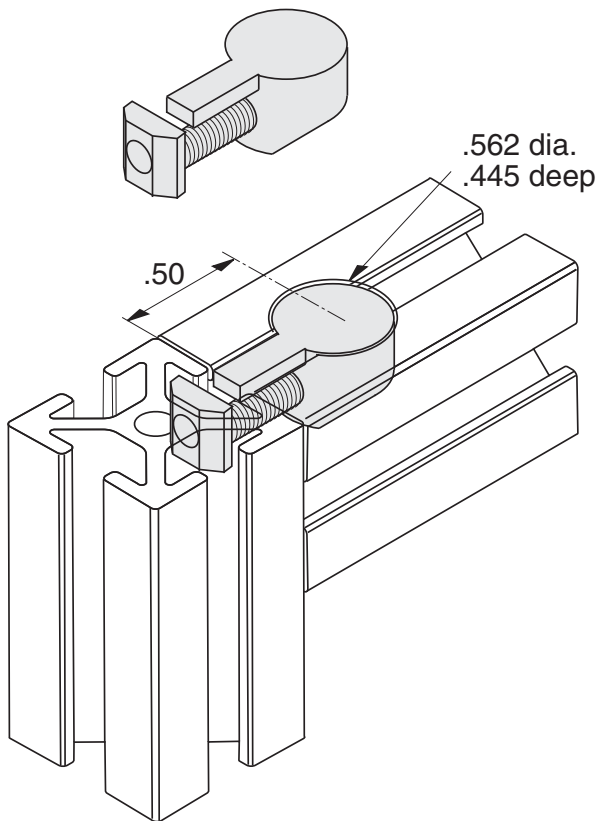


Recommended
Hardware
(8) 11-230 BHCS
(8) 11-210 T-nut

Material - Steel
Finish - Black Powder Coat

1/4" SLOTS

with Hardware	11-242
without Hardware	11-242P
with Metric Hardware	11-242M



1/4" SLOTS

Material:
 Anchor - Cast Zinc, Zinc Plated
 Bolt - Steel, Black Oxide Coating
 T-nut - Steel Zinc Coated

Double Anchor Fastener



11-248
11-248M
11-249
11-249M

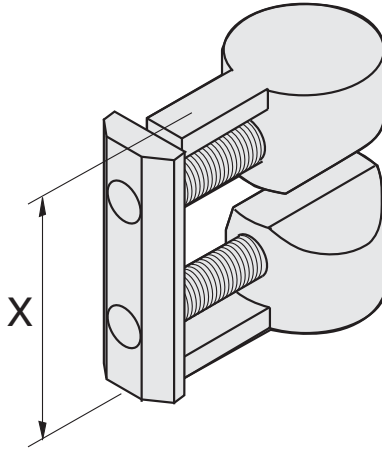
with Metric Hardware

with Metric Hardware

11-248 x=1.0

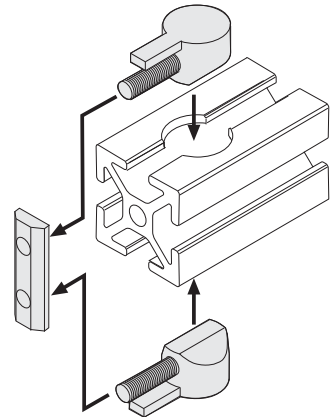
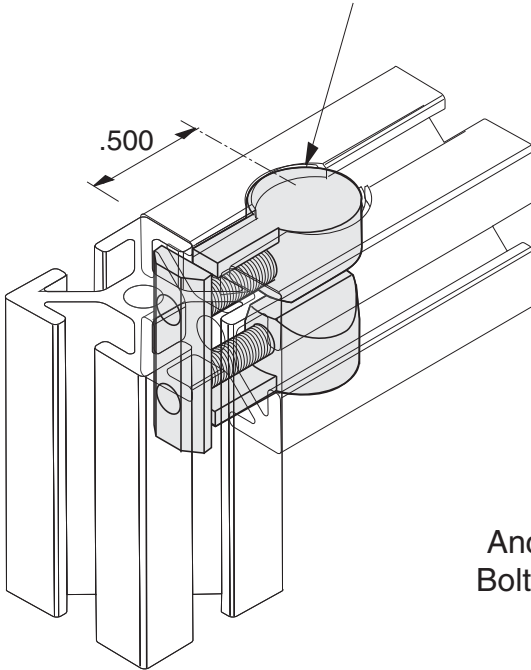
11-249 x=2.0

Hardware Included



.562 dia. x .445 deep (2) plces

.500



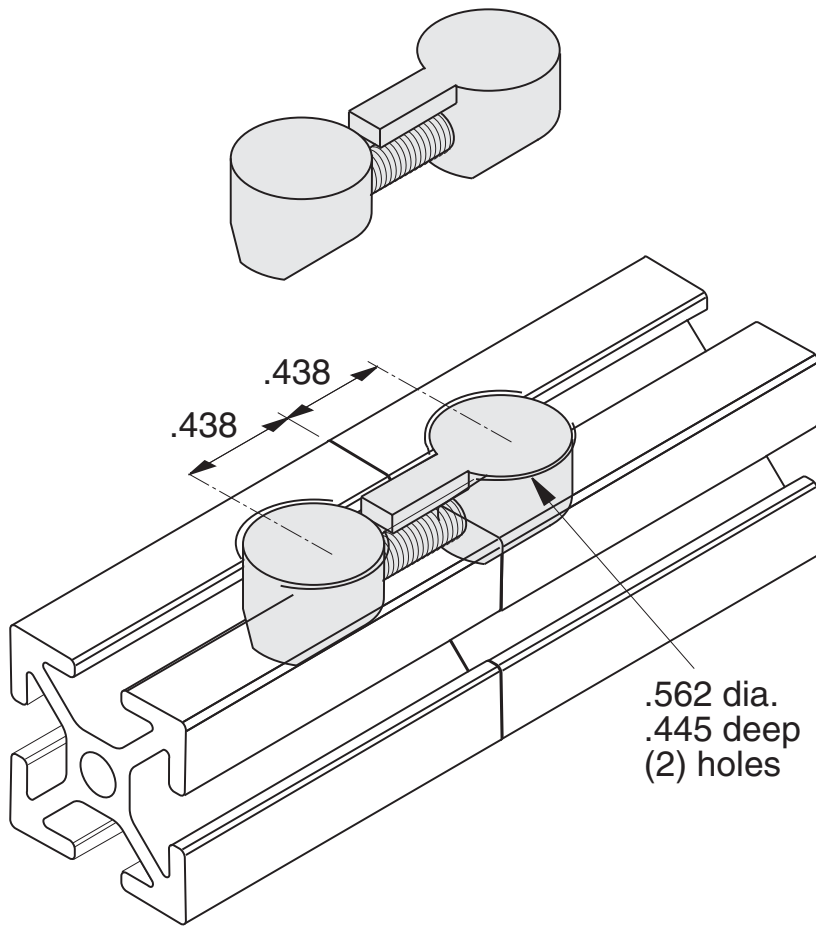
Material:

- Anchor - Cast Zinc, Zinc Plated**
- Bolt - Steel, Black Oxide Coating**
- T-nut - Steel Zinc Coated**

11-243

with metric Hardware

11-234M



Hardware Included

Material:

Anchor - Cast Zinc, Zinc Plated
Bolt - Steel, Black Oxide Coating
T-nut - Steel Zinc Coated

1/4" SLOTS

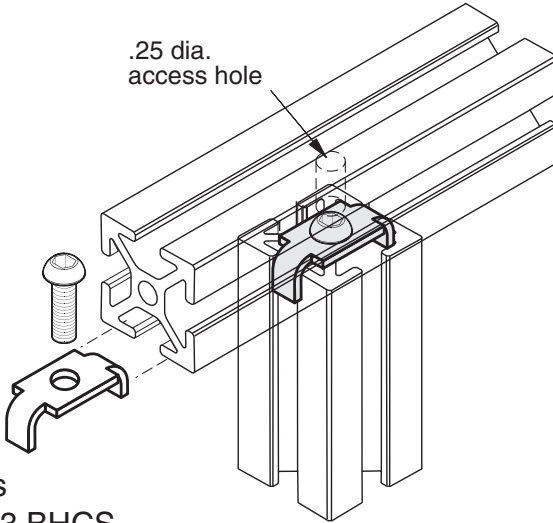
Universal Connector



11-262
11-262SS

Zinc Plated Steel

Stainless Steel



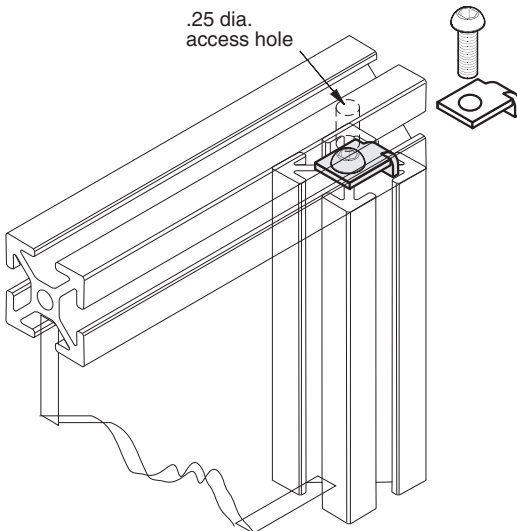
Requires
(1)11-233 BHCS

Universal Panel Connector

11-267
11-267SS

Zinc Plated Steel

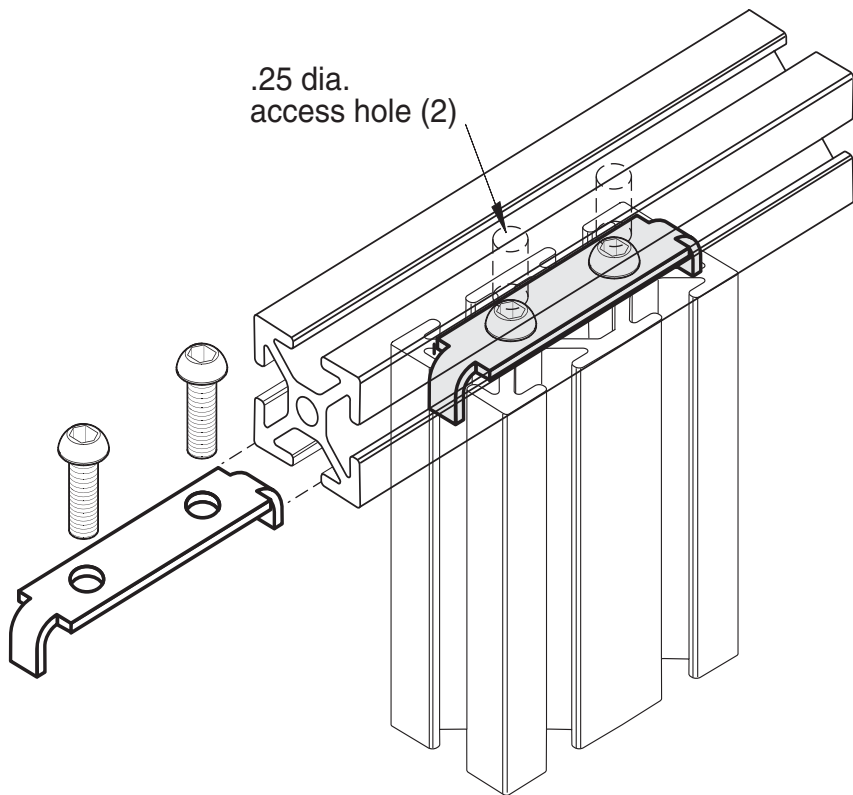
Stainless Steel



Requires
(1)11-233 BHCS

No panel
trimming
required

1/4" SLOTS



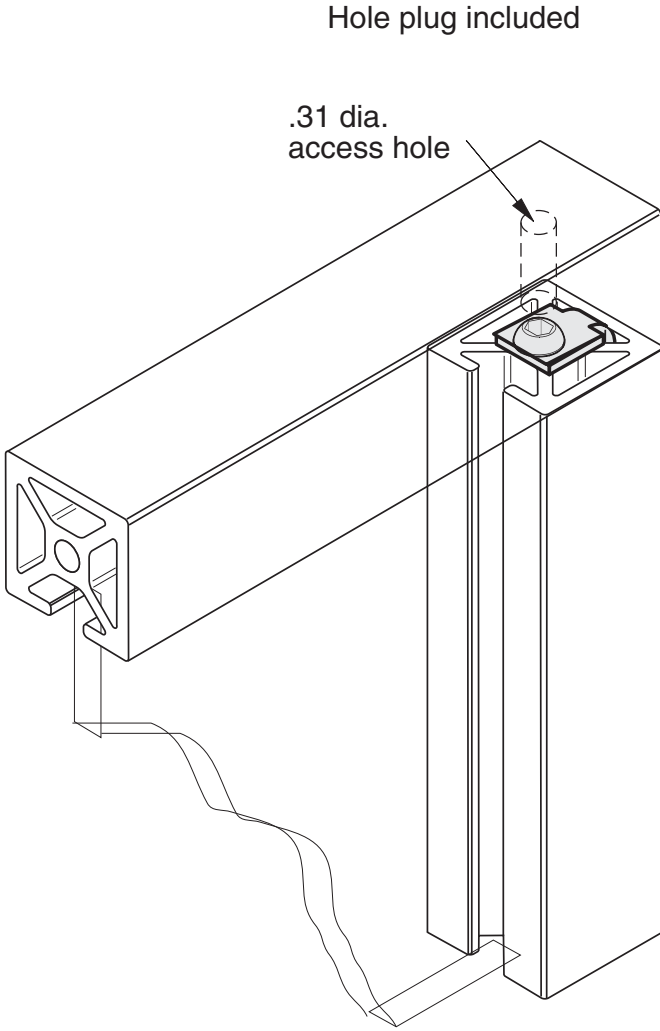
Recommended
Hardware
(2) 11-233 BHCS

Material - Steel
Finish - Zinc Plated

1/4" SLOTS

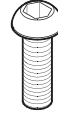
11-269

use with EX-70, EX-71, EX-72 and EX-73



Hole plug included

.31 dia.
access hole

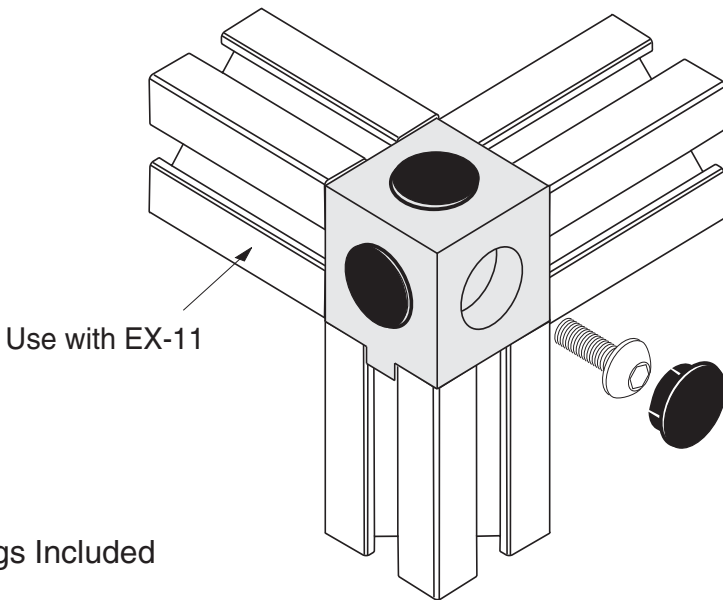
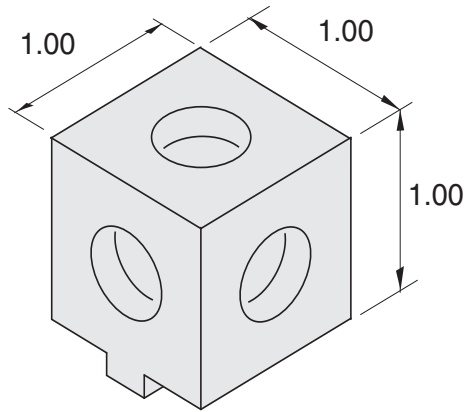


No panel trimming
required.

1/4" SLOTS

Recommended
Hardware
(1) 11-233 BHCS

Material - Steel
Finish - Zinc Plated



1/4" SLOTS

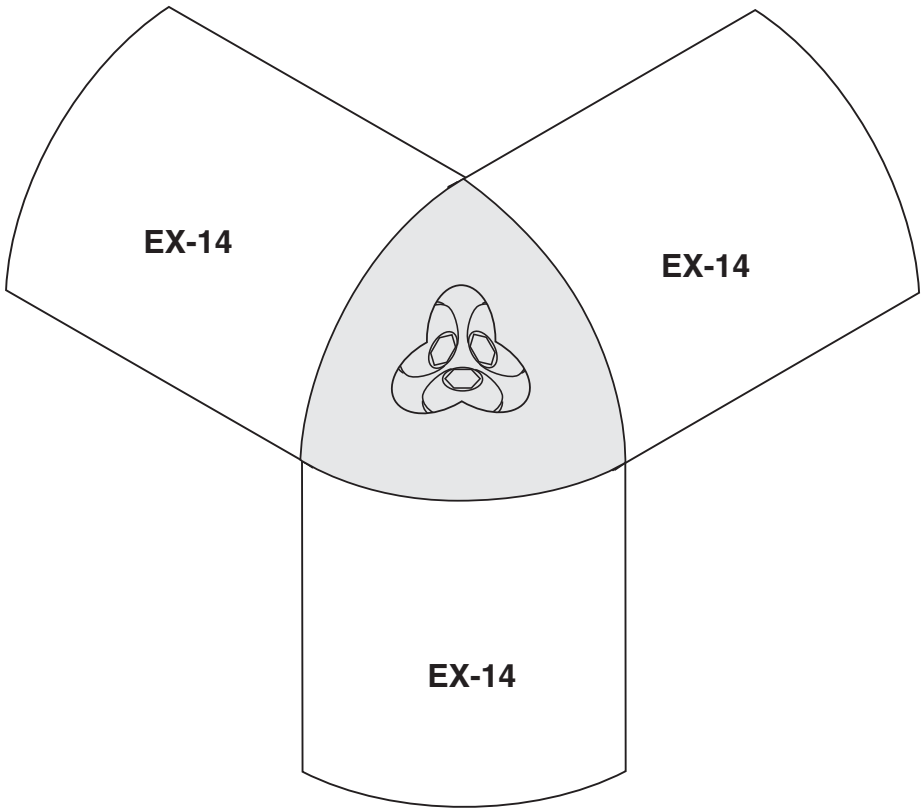
Hole Plugs Included

Recommended
Hardware
(3) 11-233 BHCS

Material - Aluminum
Finish - Clear Anodize

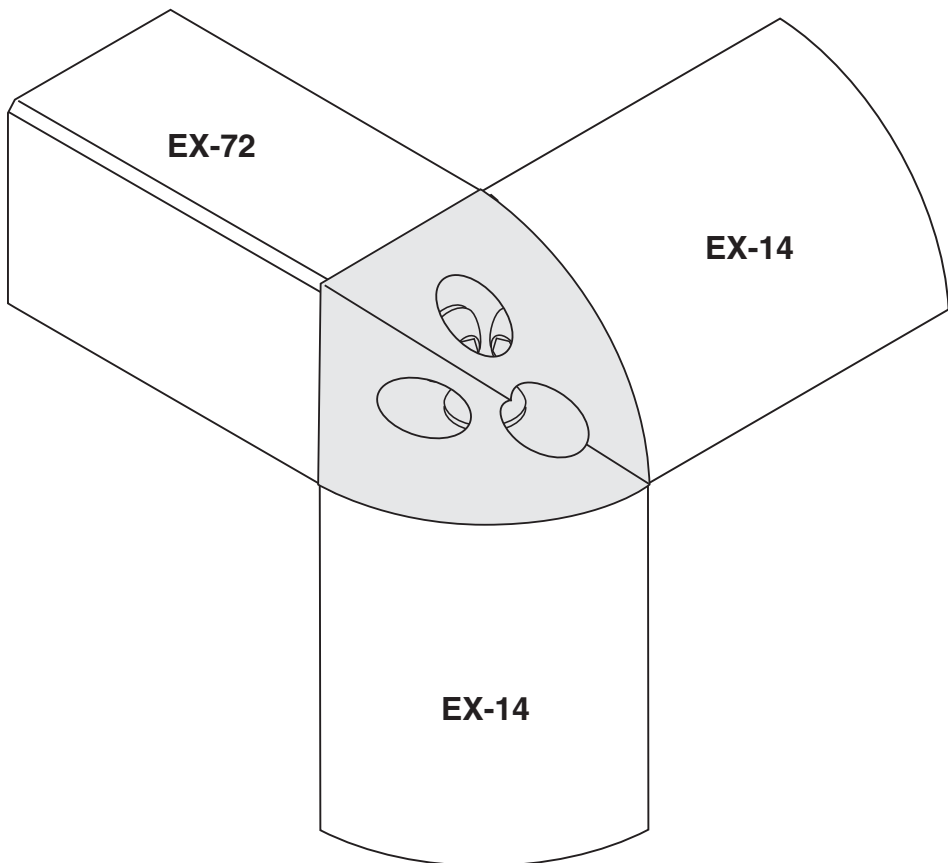
11-56

For 1" x 1" 1/4" Slot Profiles



1/4" SLOTS

Hardware Included
Material - Aluminum
Finish - Clear Anodize

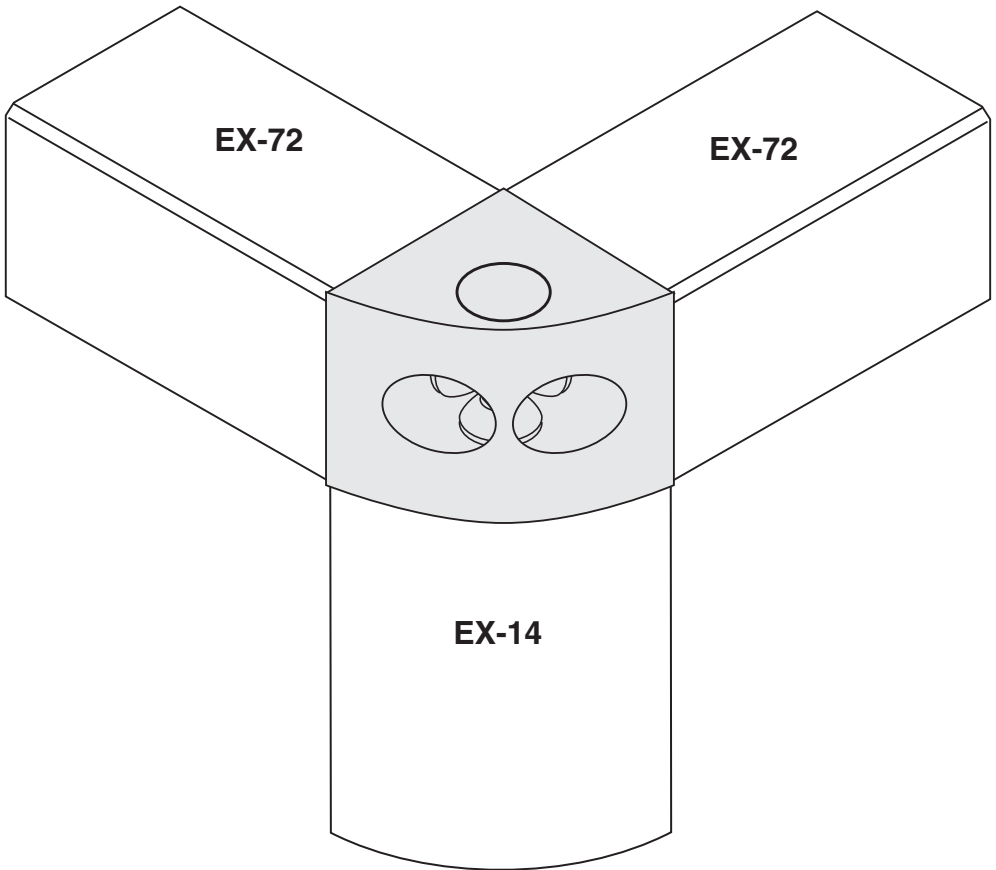


1/4" SLOTS

Hardware Included
Material - Aluminum
Finish - Clear Anodize

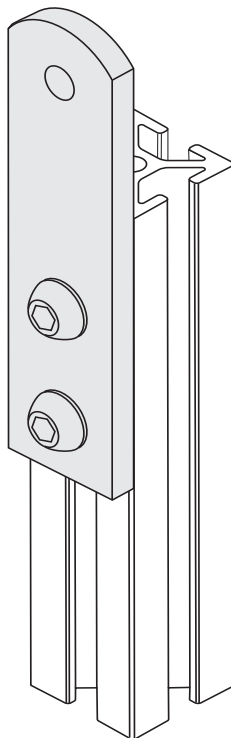
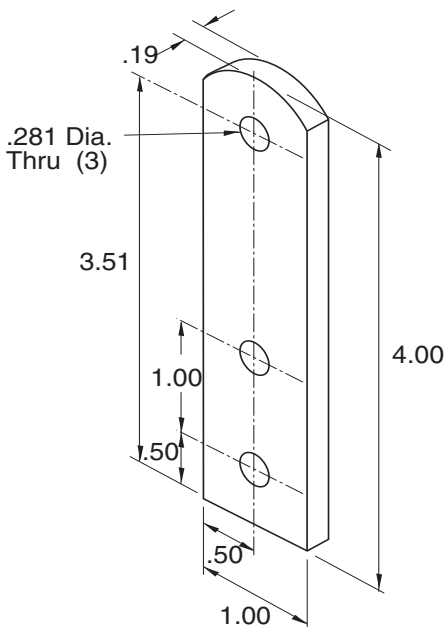
11-58

For 1" x 1" 1/4" Slot Profiles

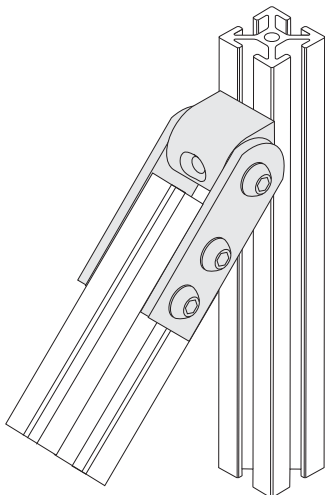


1/4" SLOTS

Hardware Included
Material - Aluminum
Finish - Clear Anodize



Assembled
 (1) 11-10
 (2) 11-11

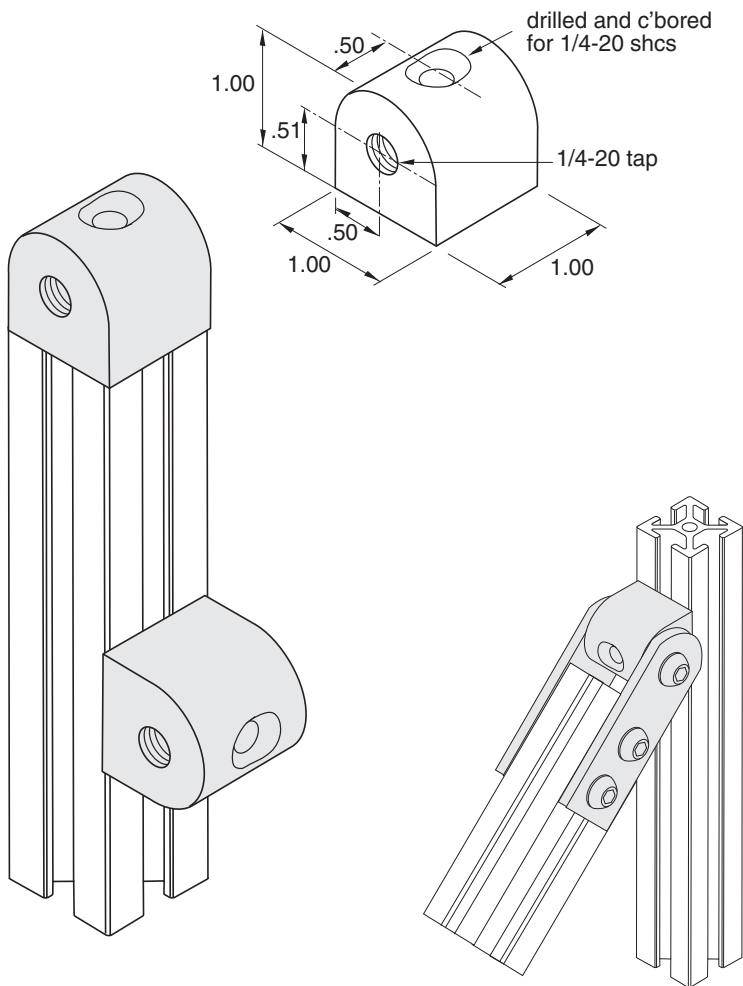


Recommended
 Hardware
 (3) 11-231 BHCS
 (2) 11-210 T-nut

Material - Aluminum
 Finish - Clear Anodize

1/4" SLOTS

11-10

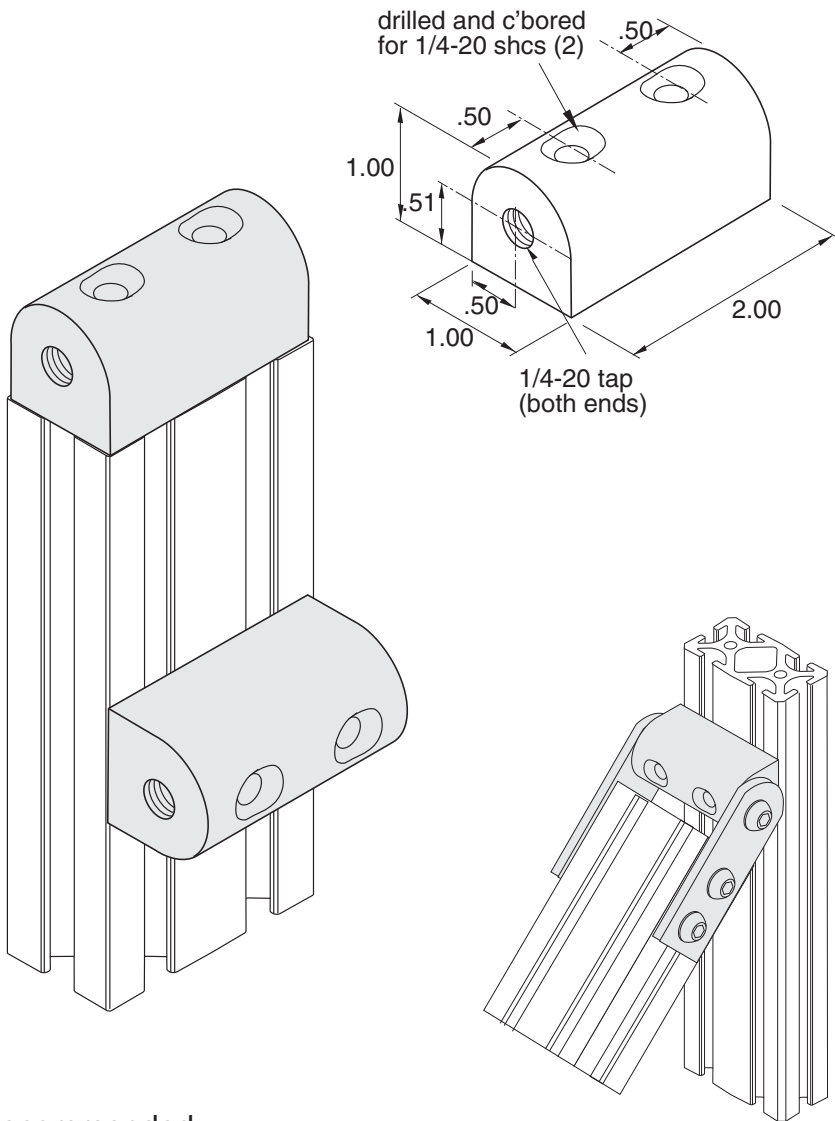


1/4" SLOTS

Recommended Hardware
 (1) 11-224 SHCS
 (1) 11-210 T-nut

Assembled
 (1) 11-10
 (2) 11-11

Material - Aluminum
 Finish - Clear Anodize



**Recommended
Hardware**
(2) 11-224 SHCS
(2) 11-210 T-nut

Assembled
(1) 11-9
(2) 11-11

**Material - Aluminum
Finish - Clear Anodize**

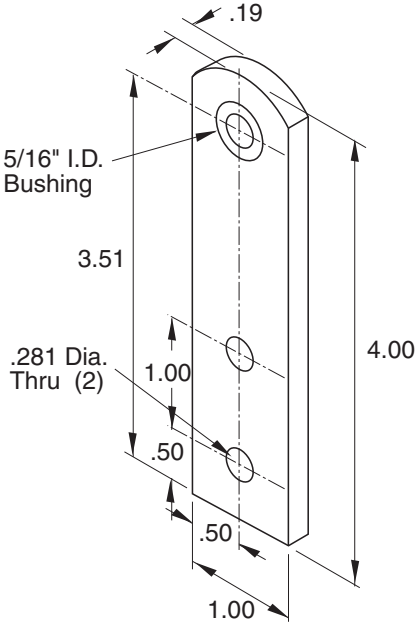
1/4" SLOTS

Pivoting Post Arm with Bushing

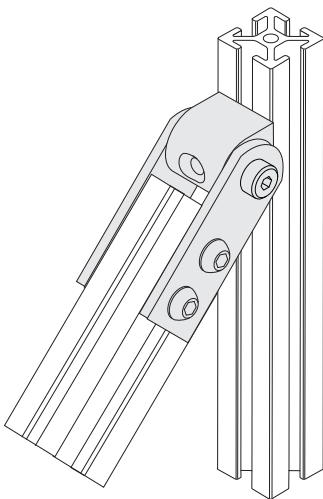
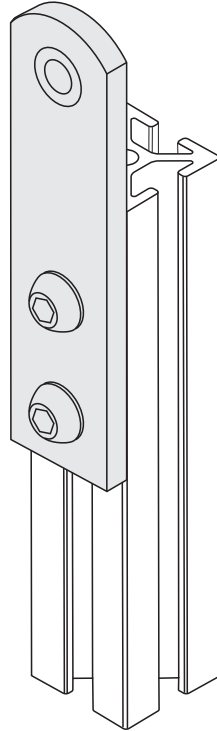


11-105 use with 11-108 or 11-109

For shoulder bolt,
order (1) 11-204



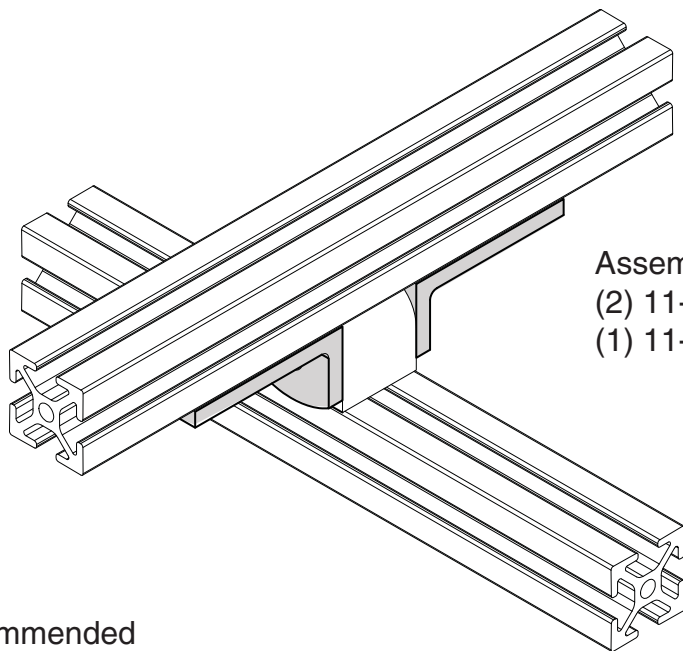
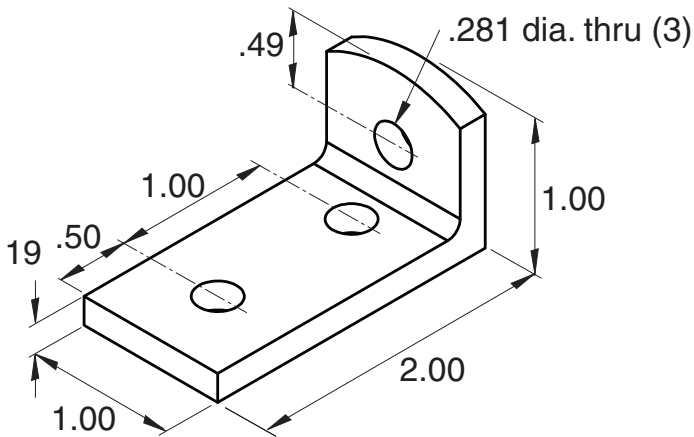
Recommended
Hardware
(2) 11-210 T-nut
(2) 11-231 BHCS
(1) 11-204 Sholder Bolt



Assembled
(2) 11-105
(1) 11-109
(2) 11-204

Material - Aluminum
Finish - Clear Anodize

1/4" SLOTS



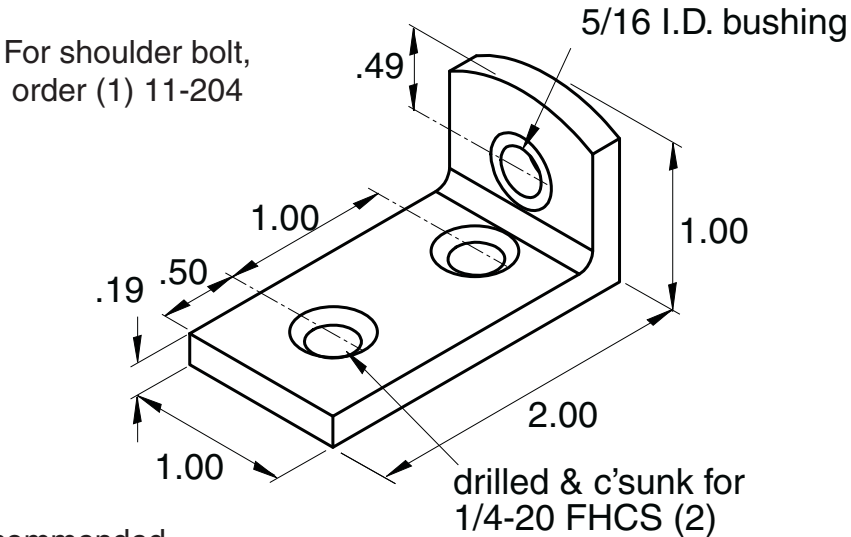
Assembled
(2) 11-106
(1) 11-10

Recommended
Hardware
(3) 11-231 BHCS
(2) 11-210 T-nut

Material - Aluminum
Finish - Clear Anodize

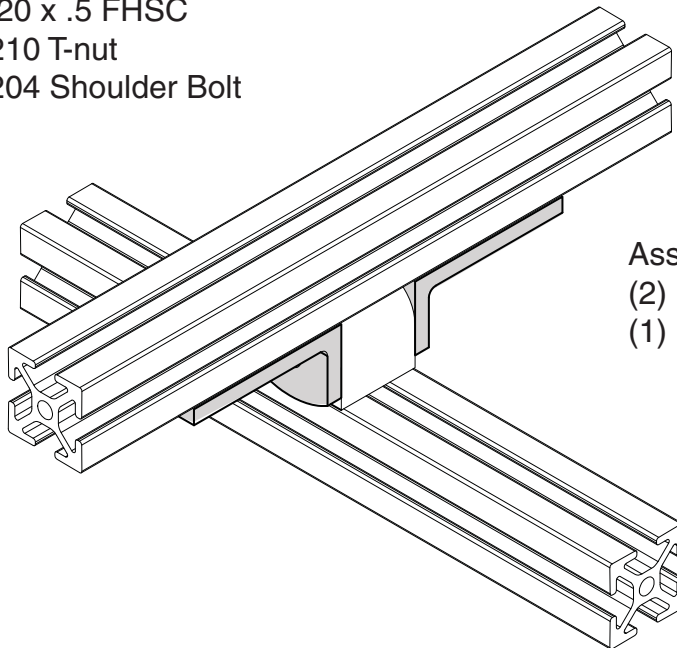
1/4" SLOTS

11-107 use with 11-108 or 11-109



Recommended
Hardware

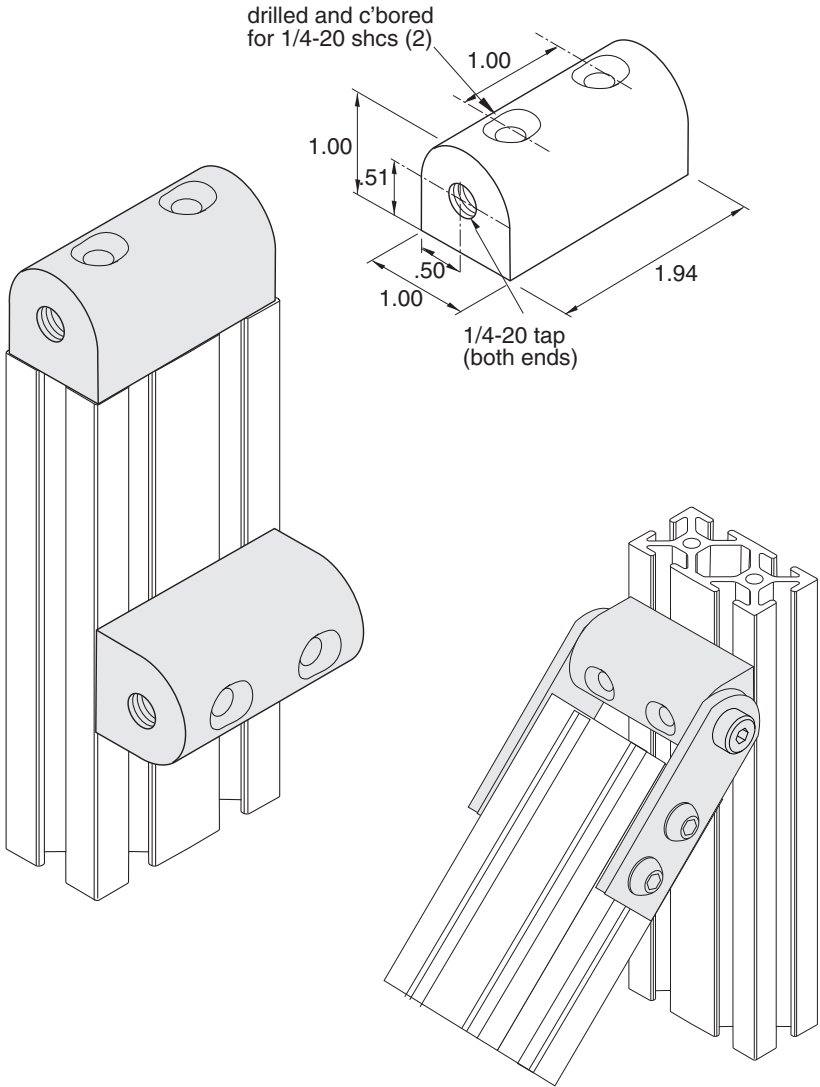
- (2) 1/4-20 x .5 FHSC
- (2) 11-210 T-nut
- (1) 11-204 Shoulder Bolt



Assembled
(2) 11-107
(1) 11-109

1/4" SLOTS

Material - Aluminum
Finish - Clear Anodize



**Recommended
Hardware**
(2) 11-224 BHCS
(2) 11-210 T-nut

Assembled
(2) 11-105
(1) 11-108
(2) 11-204

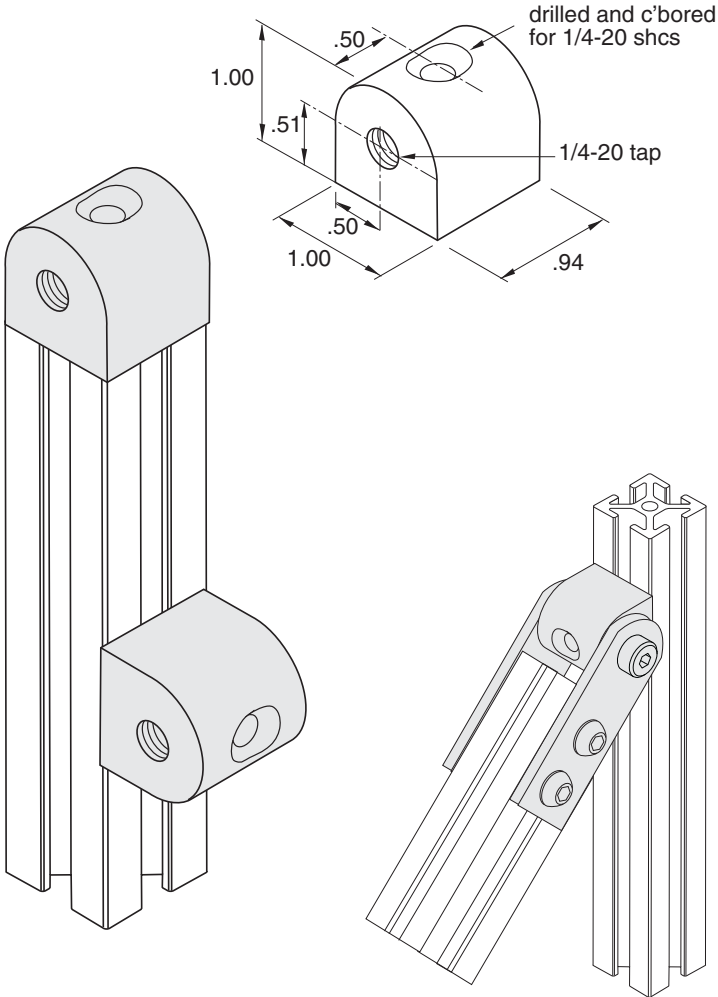
**Material - Aluminum
Finish - Clear Anodize**

1/4" SLOTS

Pivoting Corner Post



11-109 use with 11-105 or 11-107

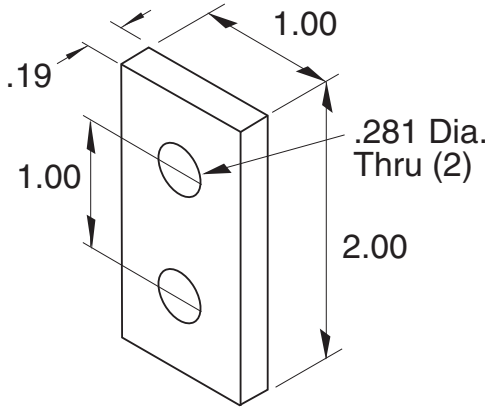


1/4" SLOTS

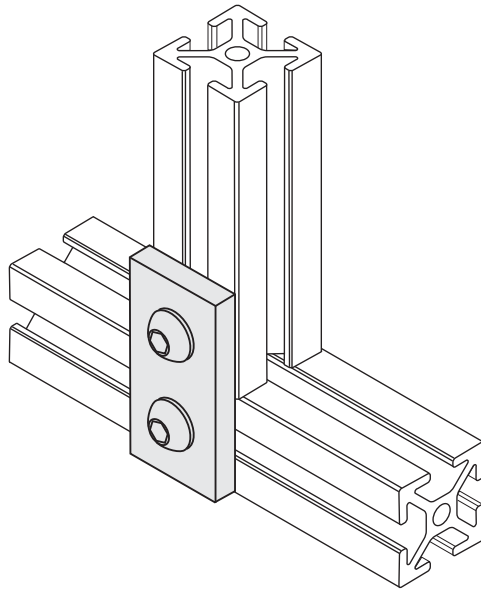
Recommended Hardware
(1) 11-224 BHCS
(1) 11-210 T-nut

Assembled
(2) 11-105
(1) 11-109
(2) 11-204

Material - Aluminum
Finish - Clear Anodize



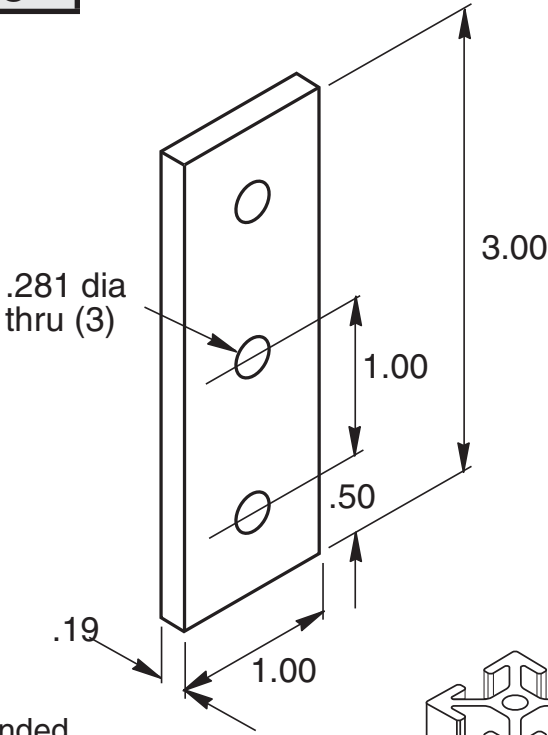
Recommended
Hardware
(2) 11-231 BHCS
(2) 11-210 T-nut



1/4" SLOTS

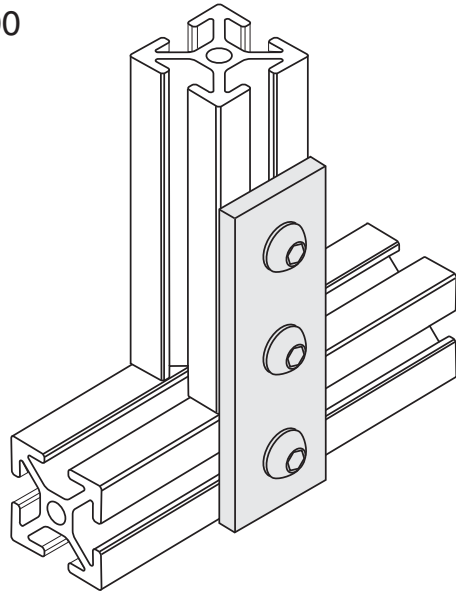
Material - Aluminum
Finish - Clear Anodize

11-23



Recommended Hardware
(3) 11-231 BHCS
(3) 11-210 T-nut

1/4" SLOTS



Material - Aluminum
Finish - Clear Anodize

11-22

.281 dia.
thru (4)

4.00

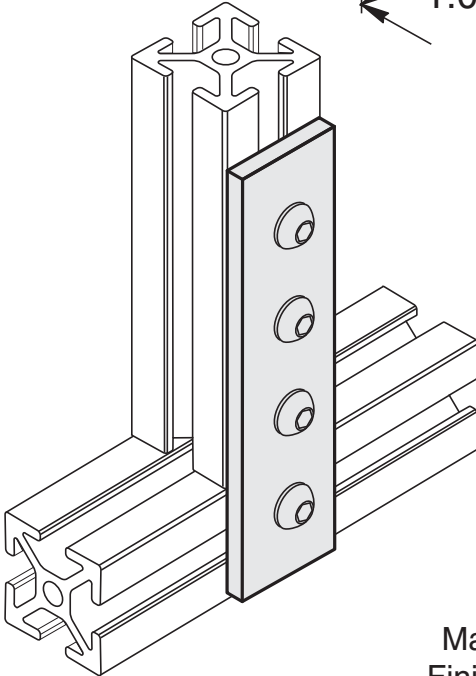
1.00

.50

Recommended
Hardware
(4) 11-231 BHCS
(4) 11-210 T-nut

.19

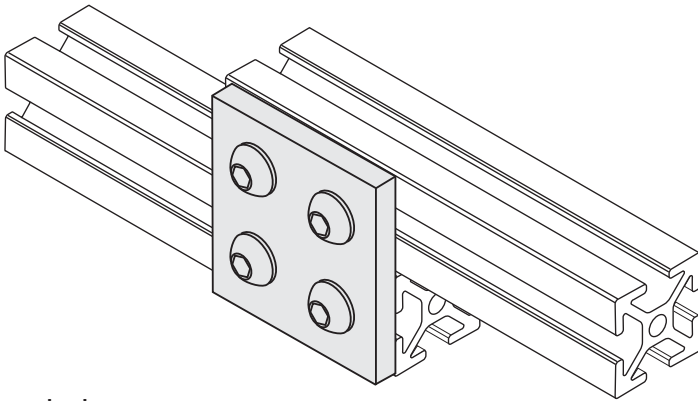
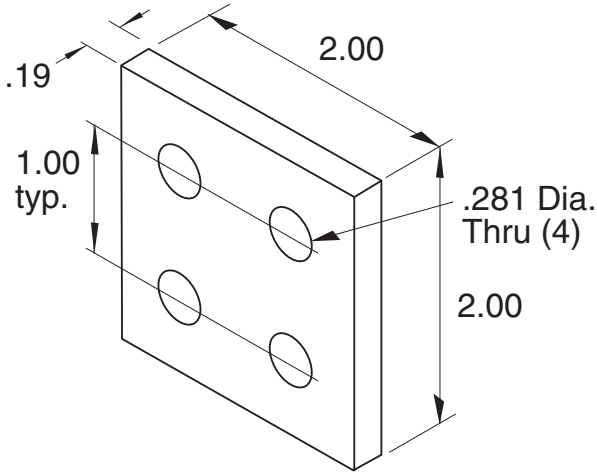
1.00



Material - Aluminum
Finish - Clear Anodize

1/4" SLOTS

11-39

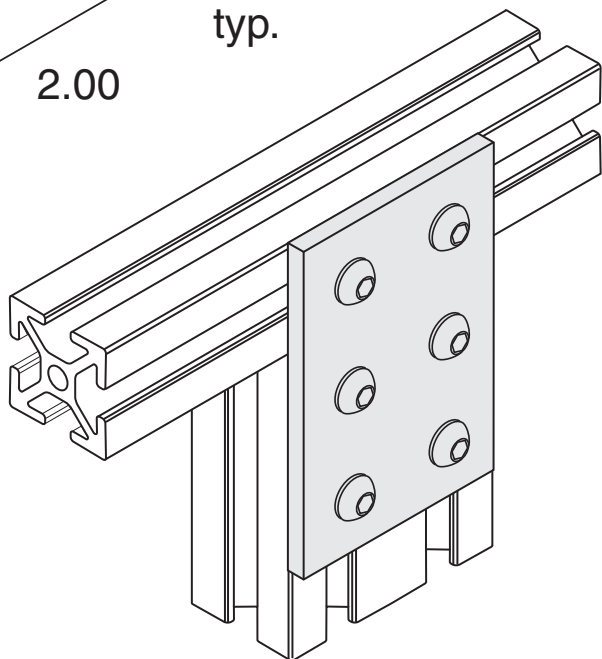
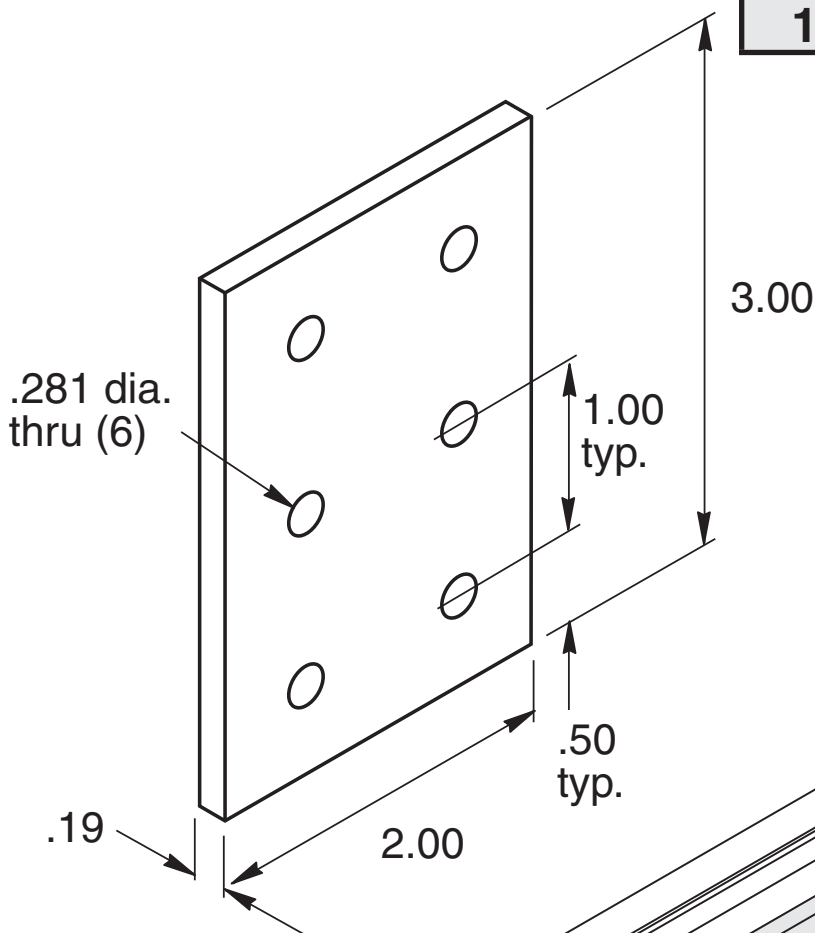


1/4" SLOTS

Recommended
Hardware
(4) 11-231 BHCS
(4) 11-210 T-nut

Material - Aluminum
Finish - Clear Anodize

11-28



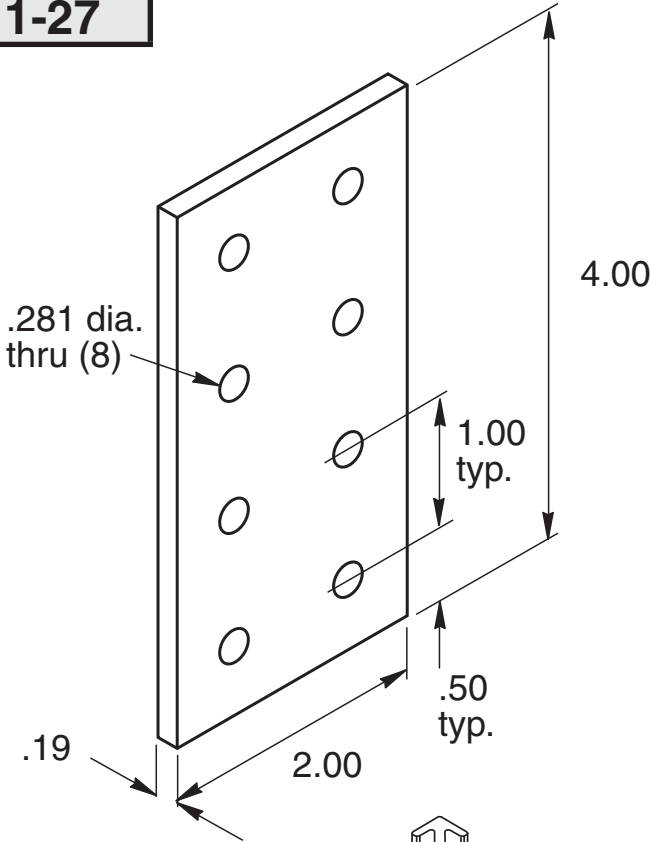
Recommended
Hardware
(6) 11-231 BHCS
(6) 11-210 T-nut

Material - Aluminum
Finish - Clear Anodize

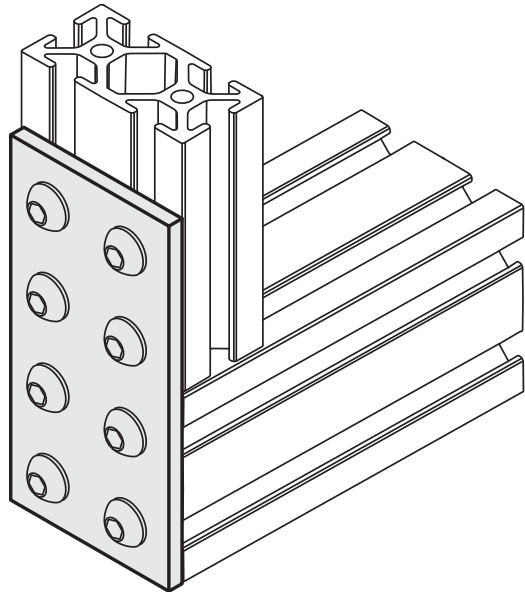
Joining Plate



11-27



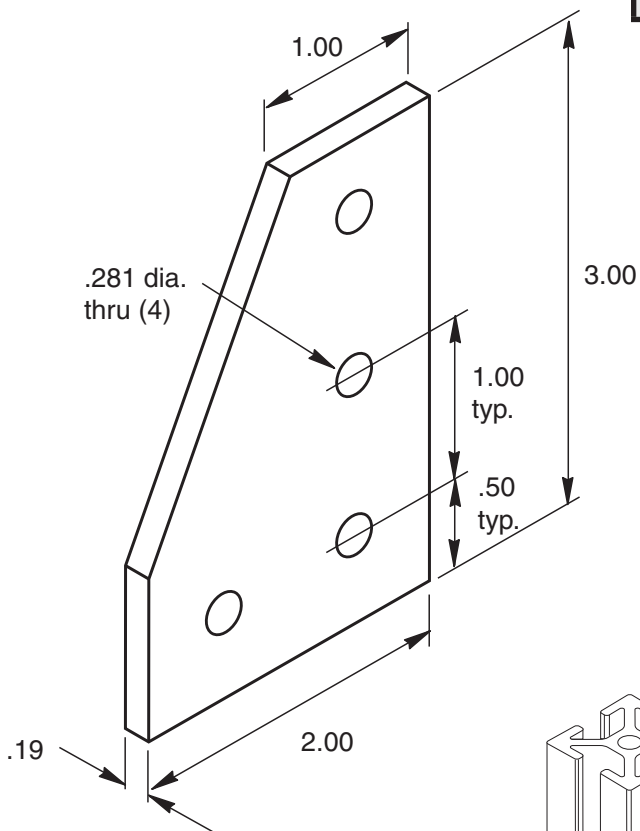
1/4" SLOTS



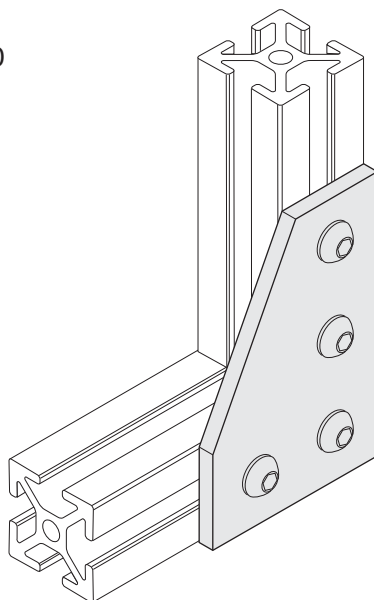
Recommended Hardware
(8) 11-231 BHCS
(8) 11-210 T-nut

Material - Aluminum
Finish - Clear Anodize

11-41



Recommended
Hardware
(4) 11-231 BHCS
(4) 11-210 T-nut



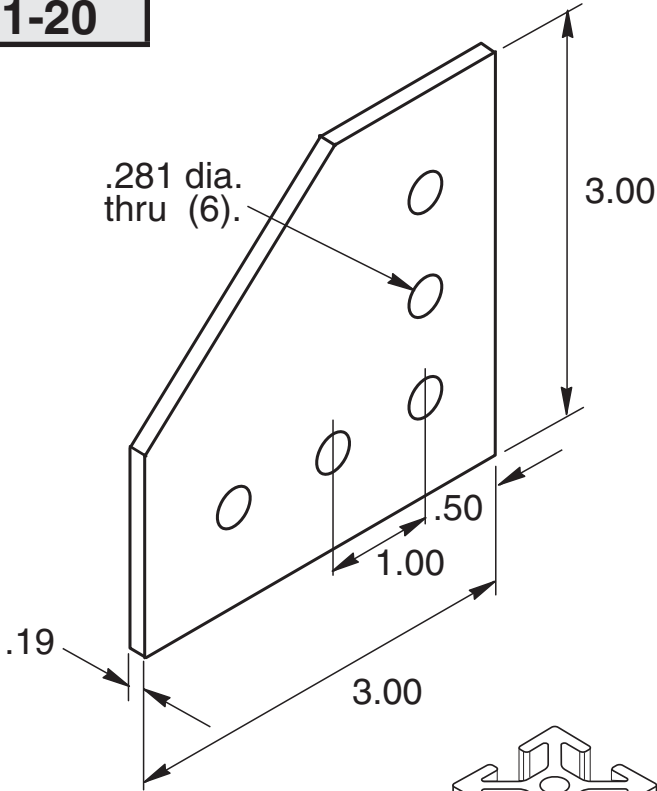
1/4" SLOTS

Material - Aluminum
Finish - Clear Anodize

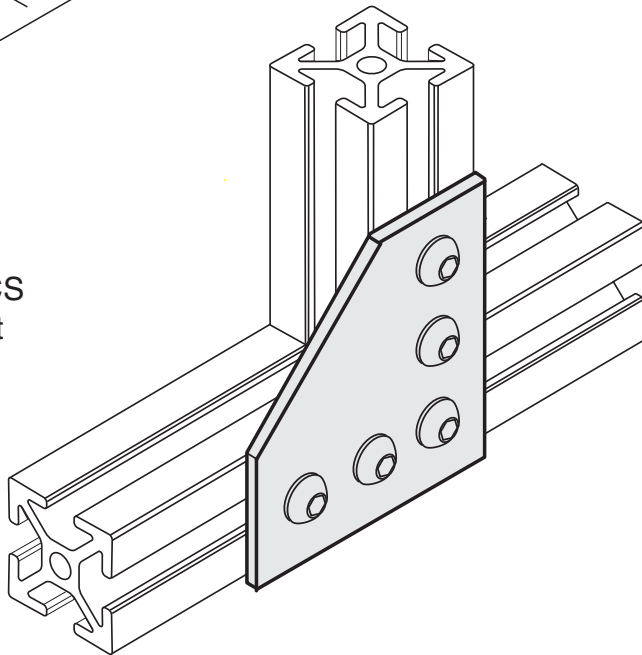
Joining Plate



11-20



Recommended
Hardware
(5) 11-231 BHCS
(5) 11-210 T-nut



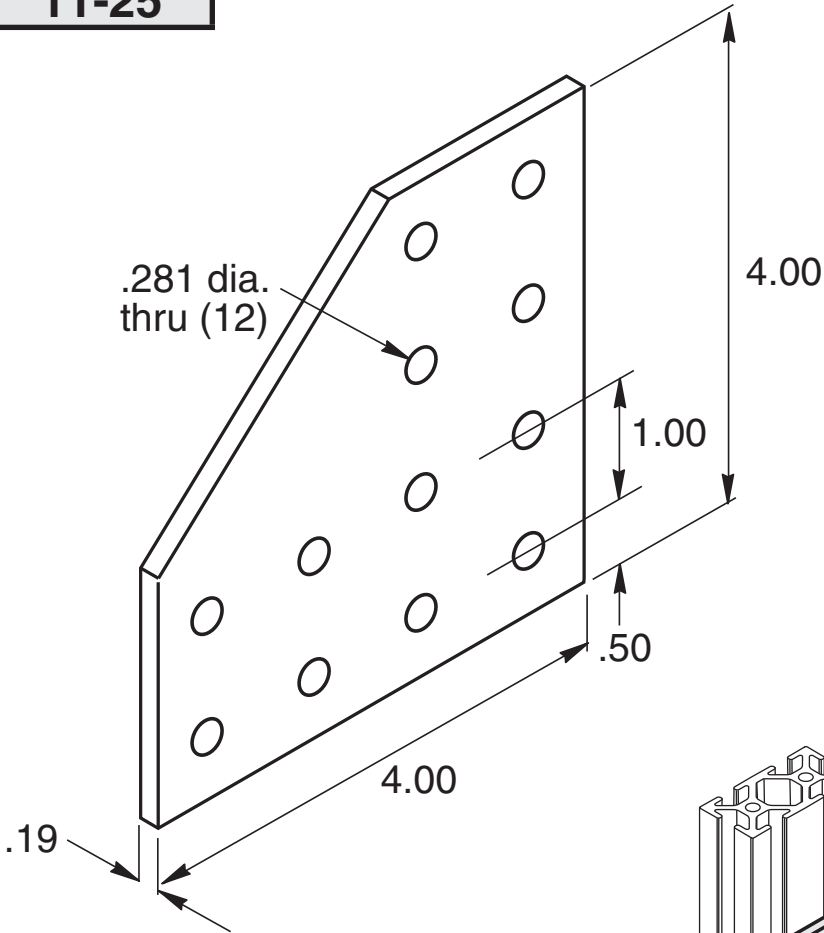
Material - Aluminum
Finish - Clear Anodize

1/4" SLOTS

Joining Plate

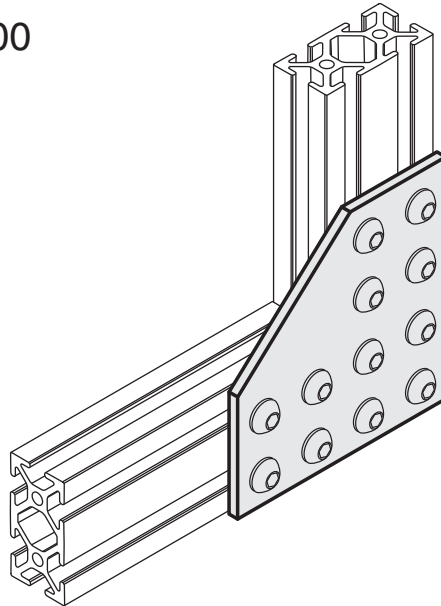


11-25

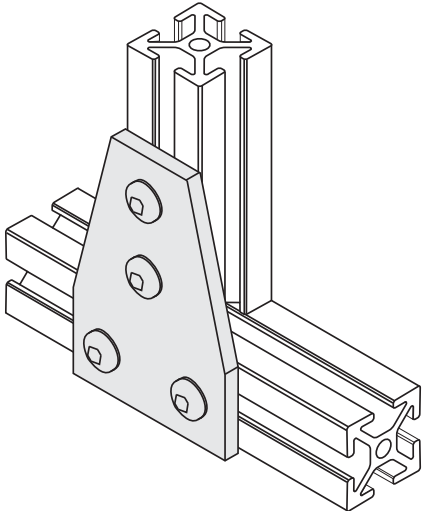
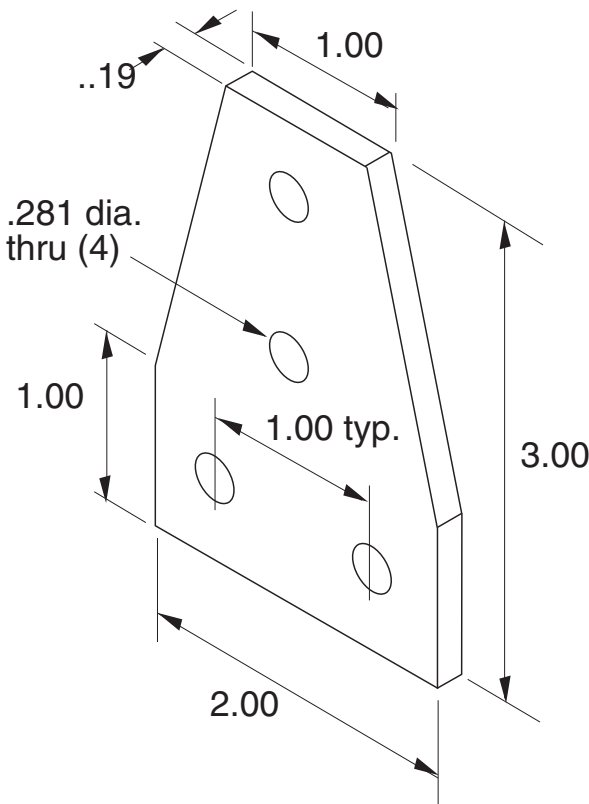


1/4" SLOTS

Recommended Hardware
(12) 11-231 BHCS
(12) 11-210 T-nut



Material - Aluminum
Finish - Clear Anodize

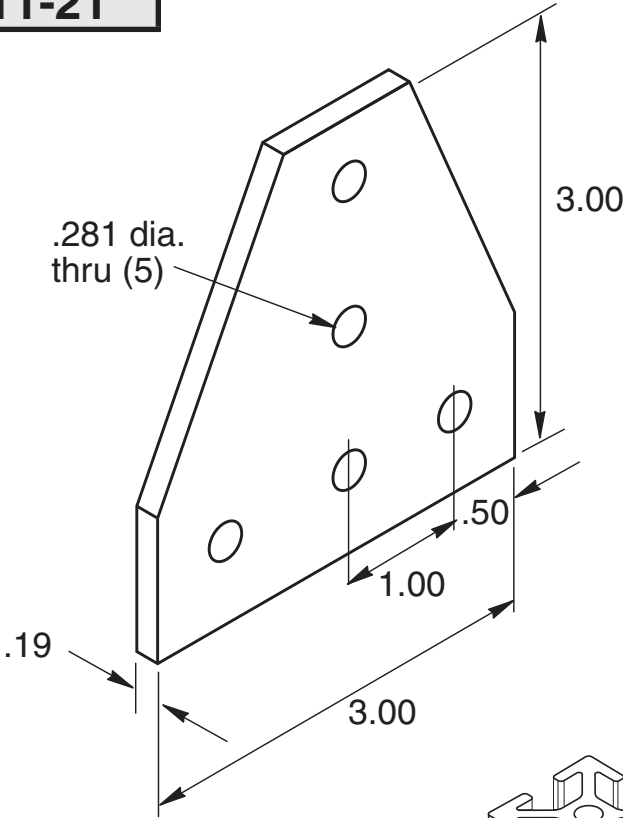


Recommended
Hardware
(4) 11-231 BHCS
(4) 11-210 T-nut

1/4" SLOTS

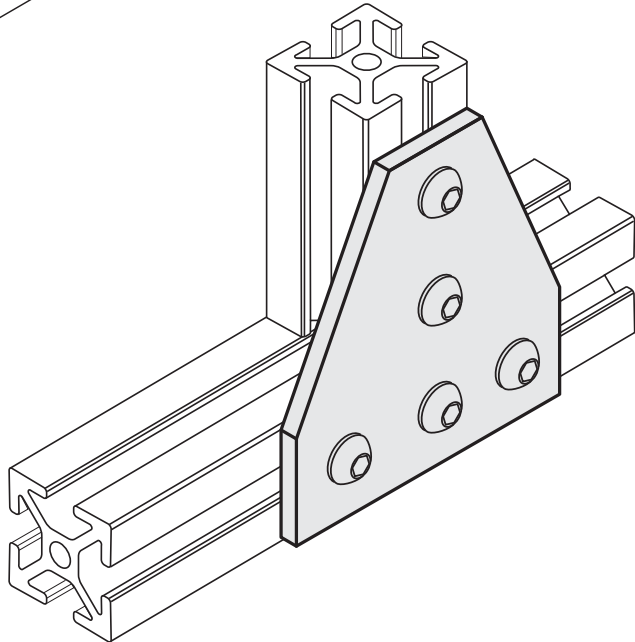
Material - Aluminum
Finish - Clear Anodize

11-21

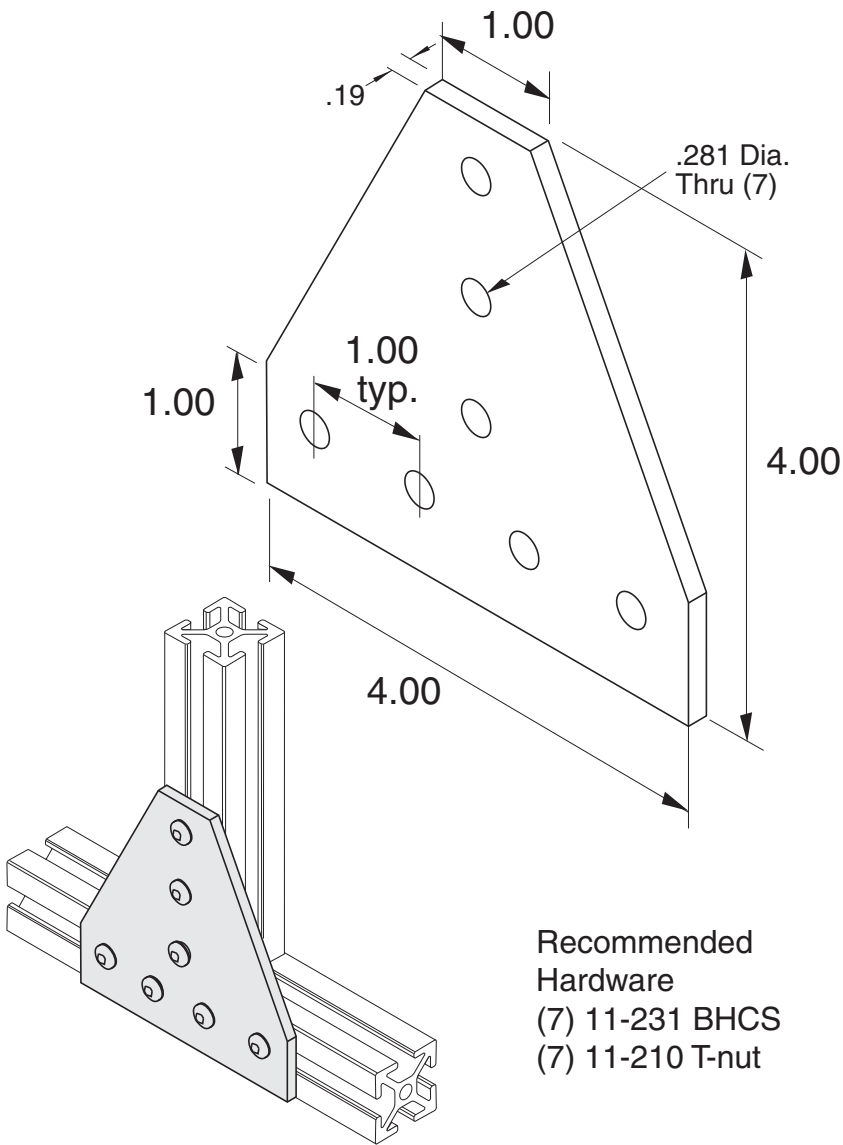


Recommended
Hardware
(5) 11-231 BHCS
(5) 11-210 T-nut

1/4" SLOTS



Material - Aluminum
Finish - Clear Anodize



Recommended
Hardware
(7) 11-231 BHCS
(7) 11-210 T-nut

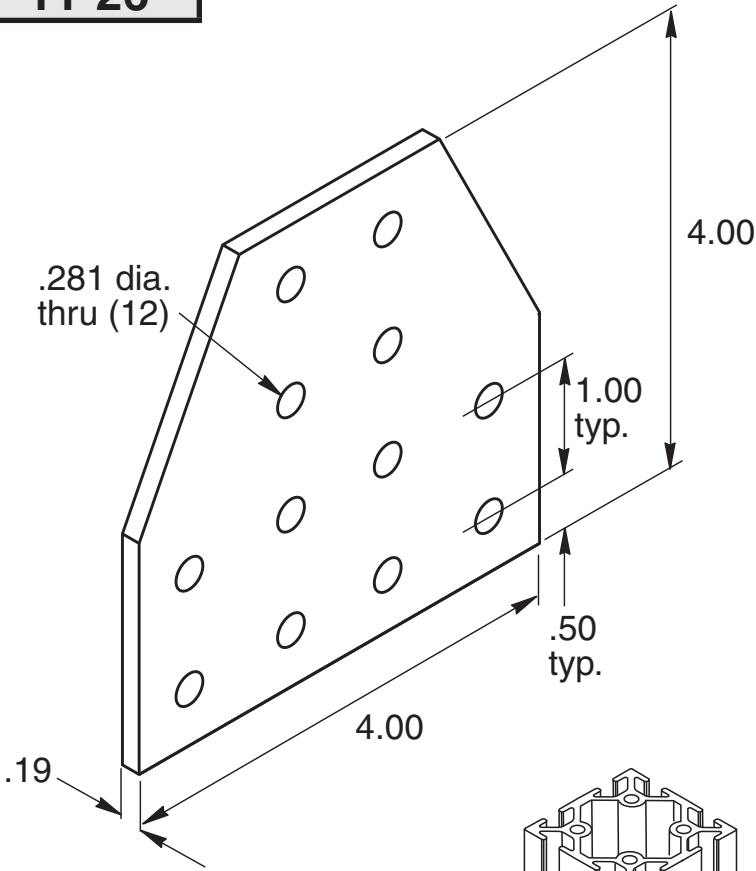
1/4" SLOTS

Material - Aluminum
Finish - Clear Anodize

Joining Plate

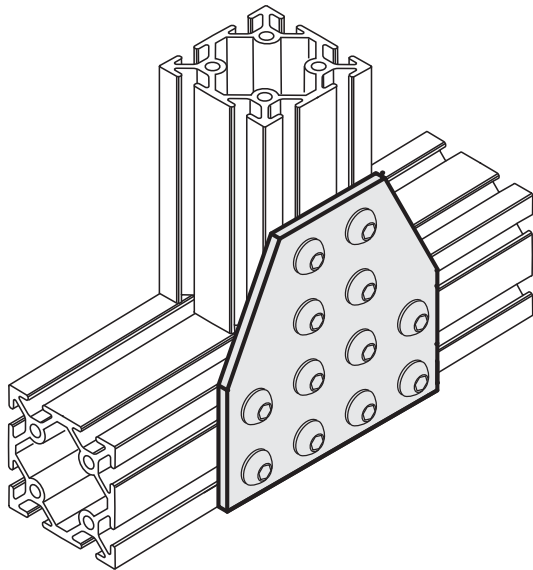


11-26

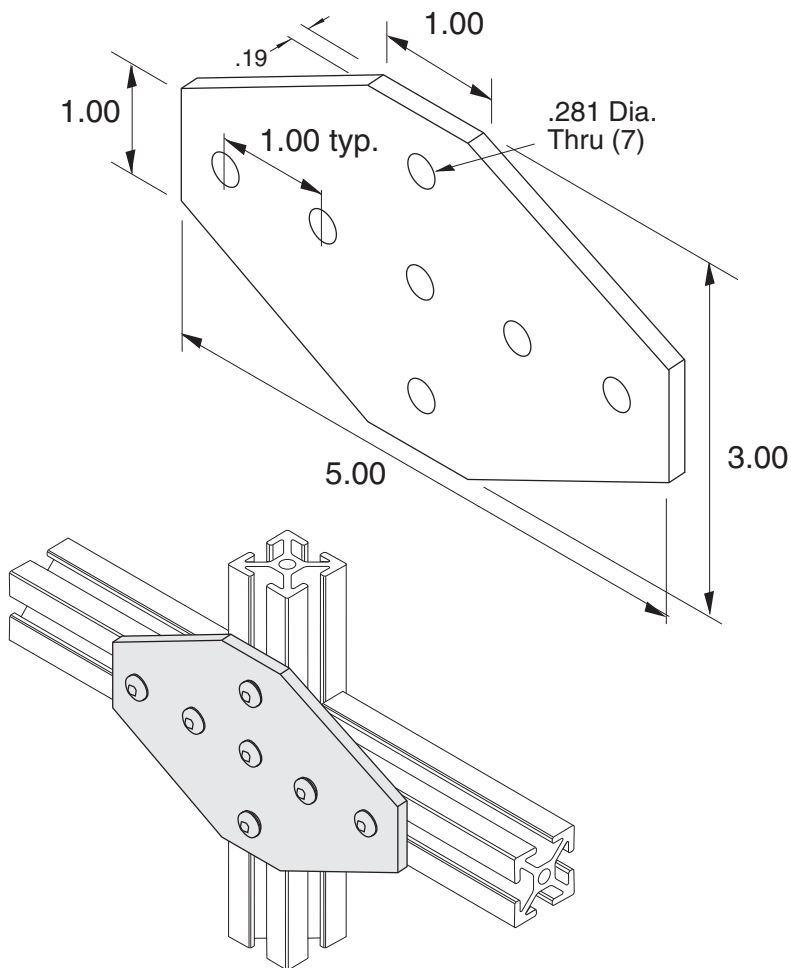


1/4" SLOTS

Recommended Hardware
(12) 11-231 BHCS
(12) 11-210 T-nut



Material - Aluminum
Finish - Clear Anodize

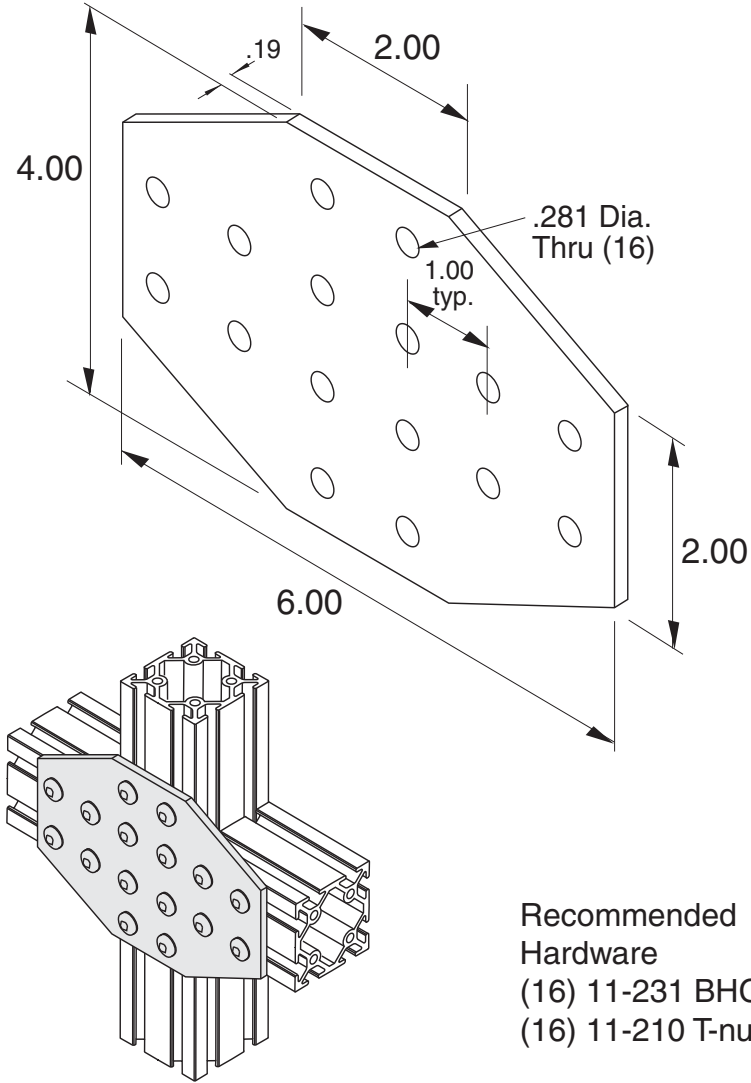


Recommended
Hardware
(7) 11-231 BHCS
(7) 11-210 T-nut

Material - Aluminum
Finish - Clear Anodize

1/4" SLOTS

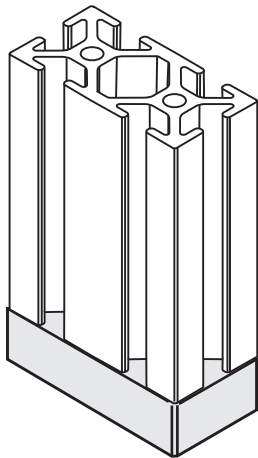
11-40



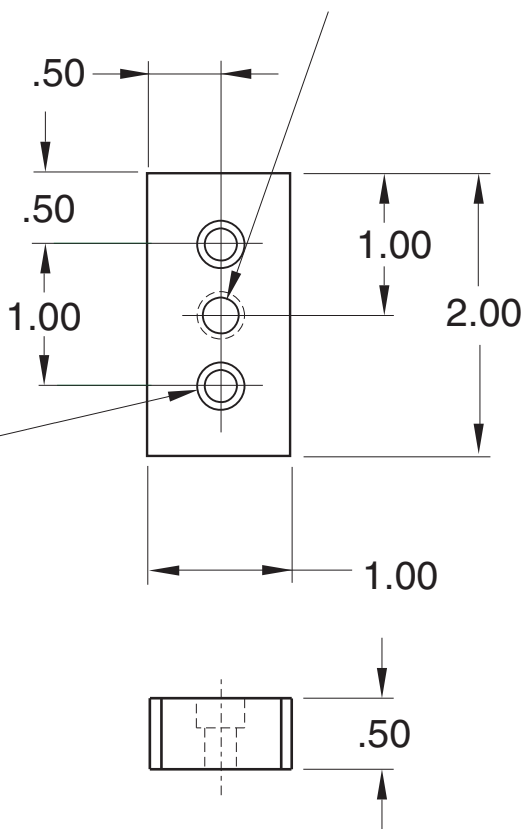
1/4" SLOTS

Recommended Hardware
(16) 11-231 BHCS
(16) 11-210 T-nut

Material - Aluminum
Finish - Clear Anodize



11-45A 3/8-16 UNC thru
11-45B 1/2-13 UNC thru



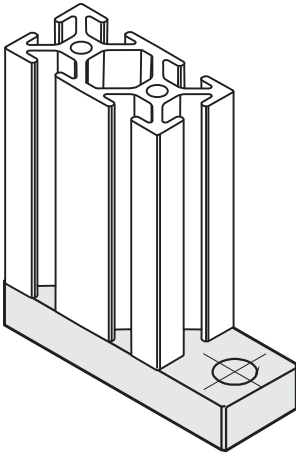
Drilled & C'Bored
 for 1/4-20 SHCS
 (2) plc's

Recommended
 Hardware
 (2) 11-223 SHCS

Material - Aluminum
 Finish - Clear Anodize

1/4" SLOTS

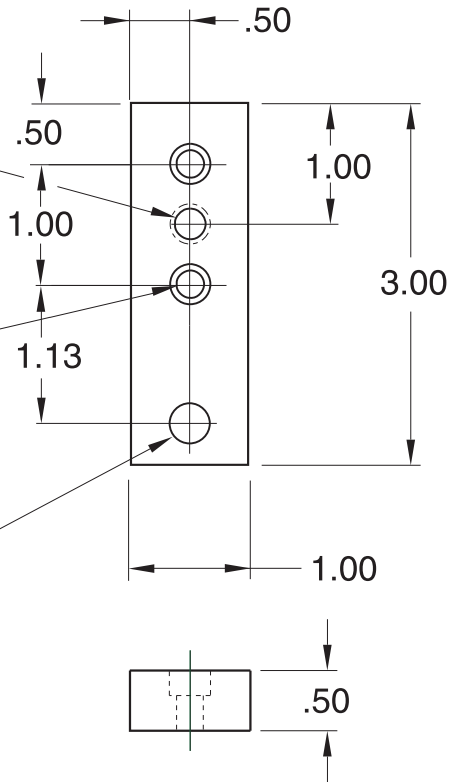
11-48



11-48A 3/8-16 UNC thru
11-48B 1/2-13 UNC thru

Drilled & C'Bored
for 1/4-20 SHCS
(2) plcs

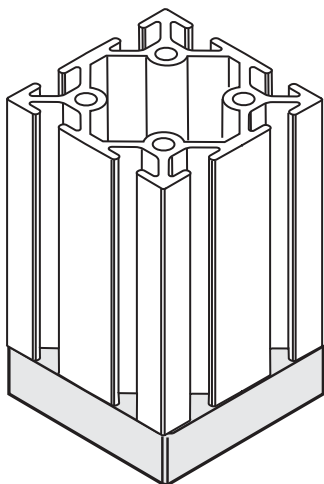
7/16" Dia. thru
for floor anchor



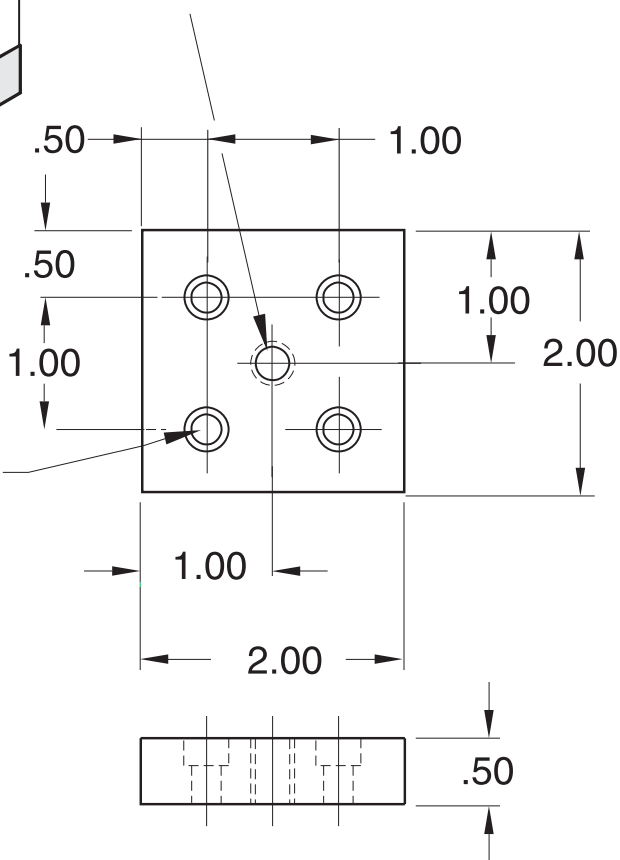
Recommended
Hardware
(2) 11-223 SHCS

Material - Aluminum
Finish - Clear Anodize

1/4" SLOTS



11-46A 3/8-16 UNC thru
11-46B 1/2-13 UNC thru



Drilled & C'Bored
 for 1/4-20 SHCS
 (4) plc's

Recommended
 Hardware
 (4) 11-223 SHCS

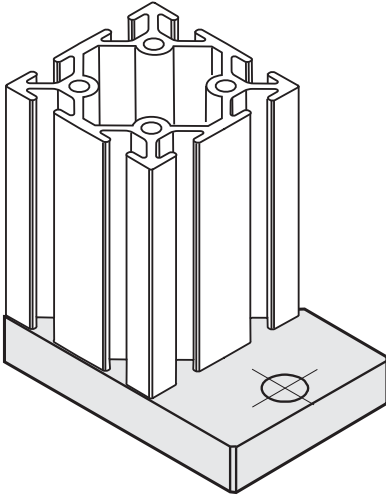
Material - Aluminum
 Finish - Clear Anodize

1/4" SLOTS

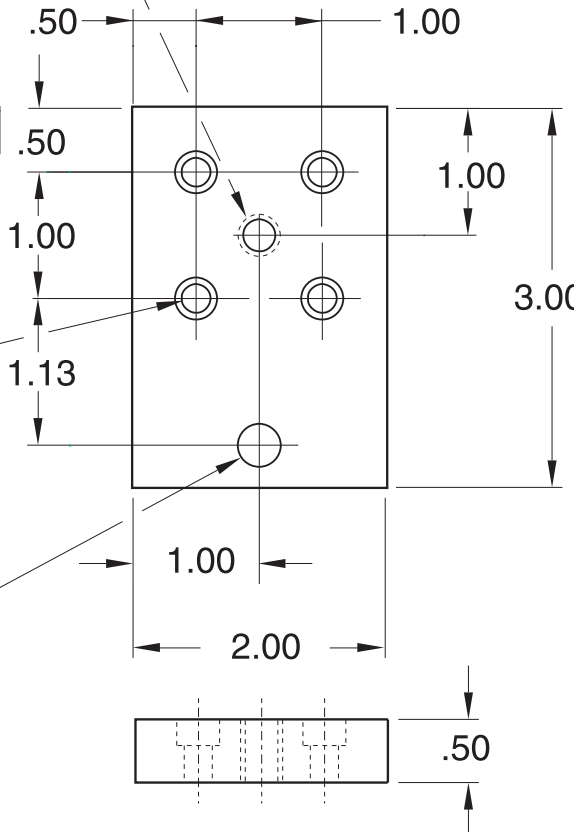
Leveling Anchor Plate



11-47



11-47A 3/8-16 UNC thru
11-47B 1/2-13 UNC thru



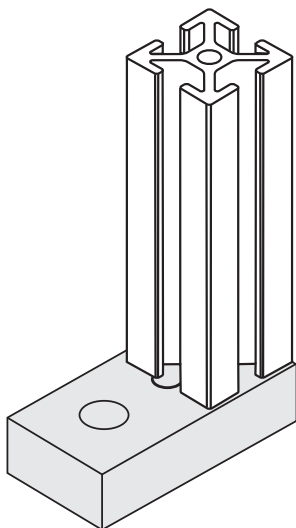
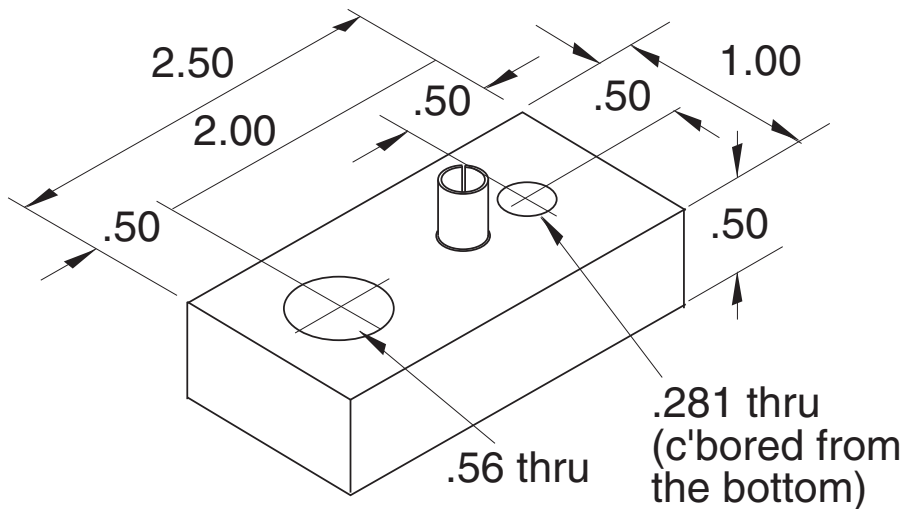
Drilled & C'Bored
for 1/4-20 SHCS
(4) plc's

7/16 Dia. thru
for floor anchor

1/4" SLOTS

Recommended
Hardware
(4) 11-223 SHCS

Material - Aluminum
Finish - Clear Anodize



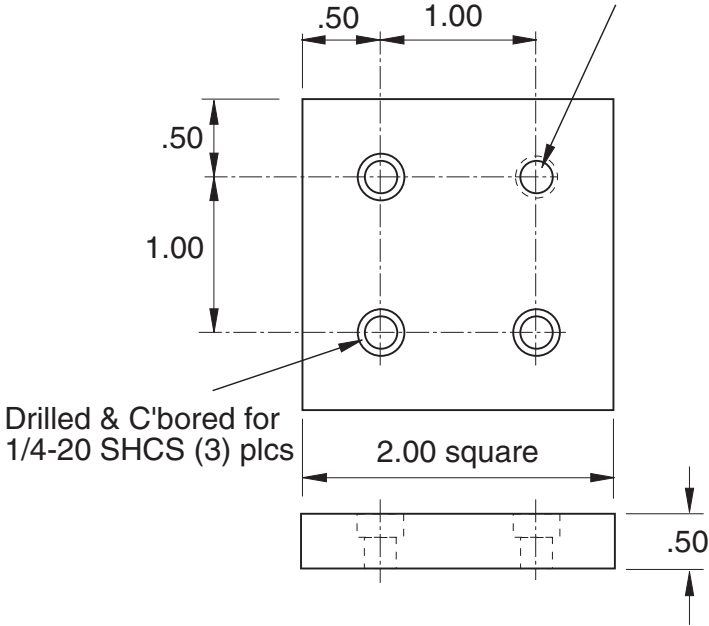
1/4" SLOTS

Recommended
Hardware
(1) 11-223 SHCS

Material - Aluminum
Finish - Clear Anodize

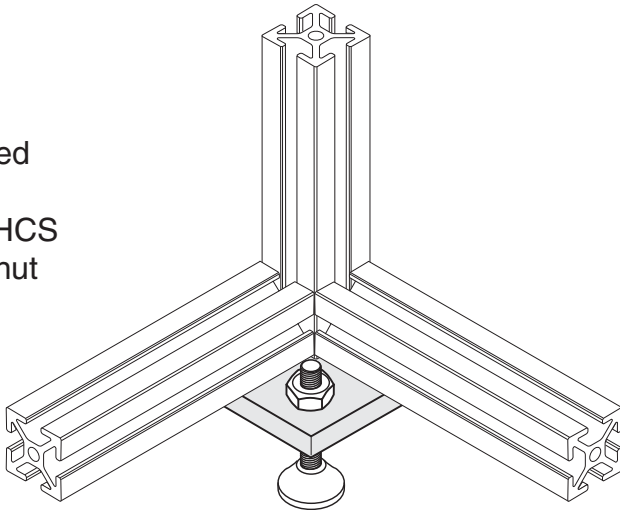
11-49

11-49A 3/8-16 UNC tap thru
11-49B 1/2-13 UNC tap thru



1/4" SLOTS

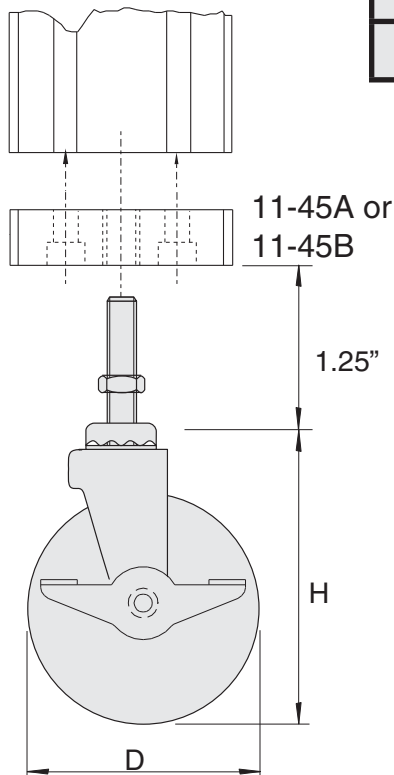
Recommended
Hardware
(3) 11-221 SHCS
(3) 11-210 T-nut



Material - Aluminum
Finish - Clear Anodize

EC-S1
EC-S2
EC-S3

EX-12



EC-S1
EC-S2
EC-S3

Note: Wheel material is hard plastic

Part no.	D	H	Stem	Brake	Max. Load	Wheel Width
EC-S1	2	2 7/8	3/8-16 x 1 1/4	Yes	125 lbs	1.00
EC-S2	3	3 3/4	3/8-16 x 1 1/4	Yes	250 lbs	1.25
EC-S3	4	5	1/2-13 x 1 1/2	Yes	300 lbs	1.25

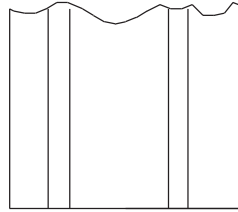
1/4" SLOTS

Swivel Plate Caster w/brake



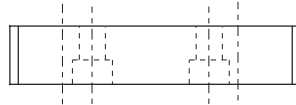
11-110
11-111
11-112

EX-22 uses caster plate 11-50



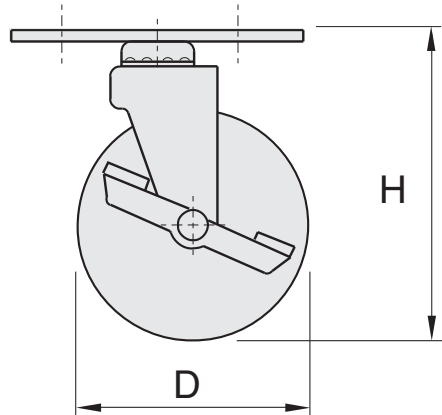
EX-22

The casters have (4) .343 dia mtg. holes on 1 3/4" x 3.00" centers



11-50

Recommended Hardware
(4) EF-12-.5 BHCS



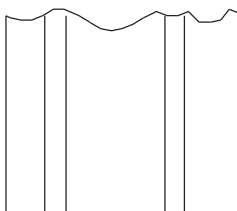
1/4" SLOTS

Note: Wheel material is hard plastic

Part no.	D	H	Brake	Max. Load	Wheel Width
11-110	3"	4.13	Yes	250 lbs	1.25
11-111	4"	5.00	Yes	300 lbs	1.25
11-112	5"	6.00	Yes	325 lbs	1.25

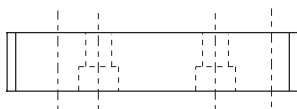
11-120
11-121
11-122

EX-22 uses caster plate 11-50



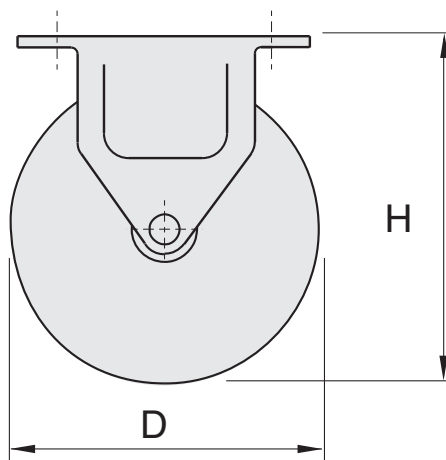
EX-22

The casters have (4) .343 dia mtg. holes on 1 3/4" x 3.00" centers



11-50

Recommended Hardware
(4) EF-12-.50 BHCS

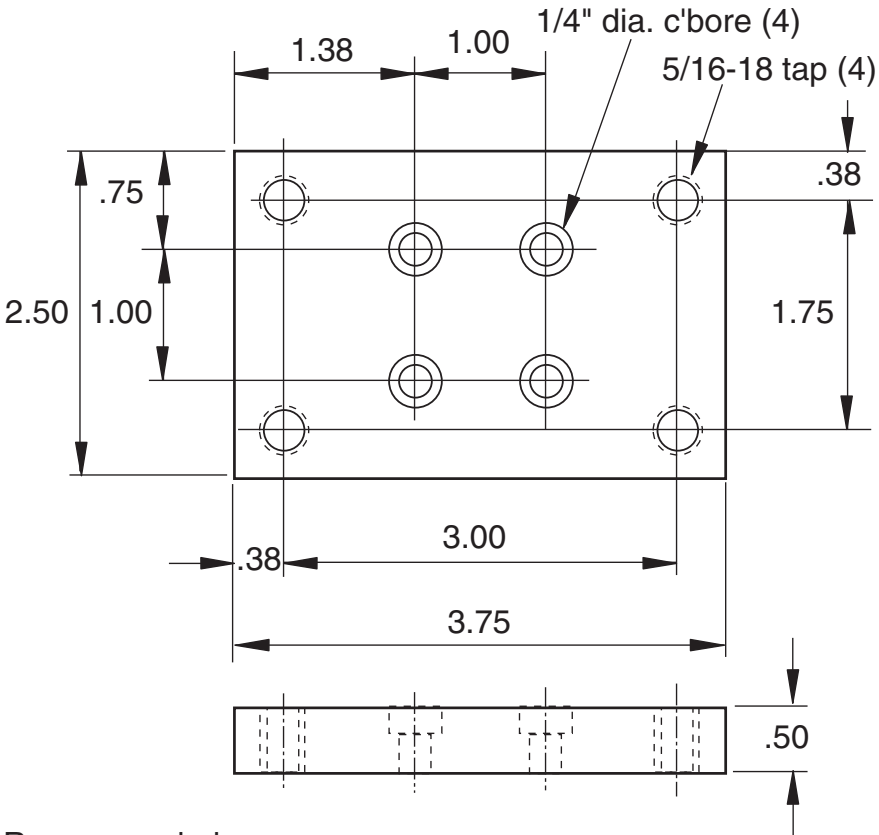


Note: Wheel material is hard plastic

Part no.	D	H	Brake	Max. Load	Wheel Width
11-120	3"	4.13	No	250 lbs	1.25
11-121	4"	5.00	No	300 lbs	1.25
11-122	5"	6.00	No	325 lbs	1.25

1/4" SLOTS

11-50



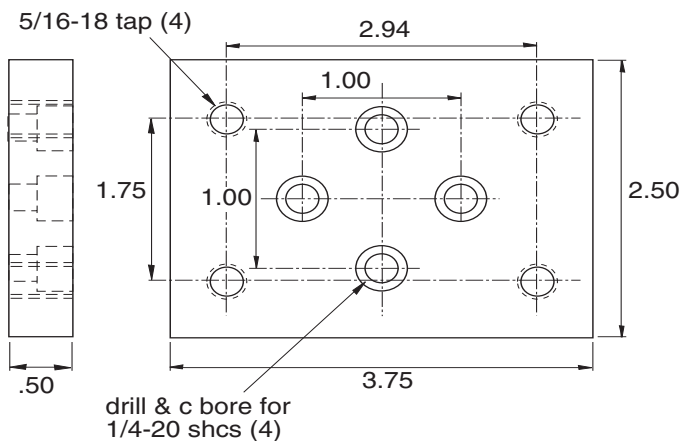
1/4" SLOTS

Recommended Hardware

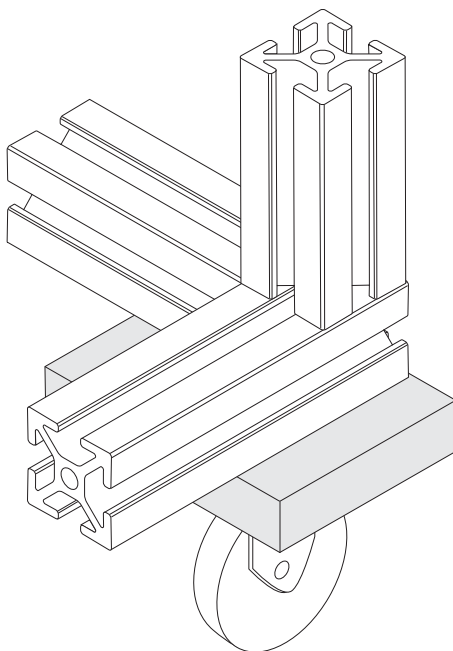
- (4) 11-221 SHCS for extrusion end mounting
- or
- (4) 11-223 SHCS for extrusion slot mounting
- (4) 11-210 T-nut

For Casters, See Pages 427 & 428

Material - Aluminum
 Finish - Clear Anodize



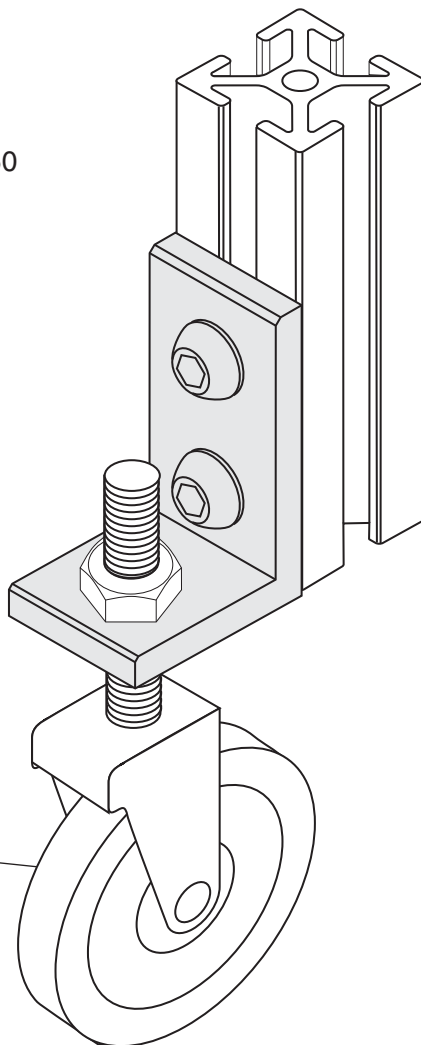
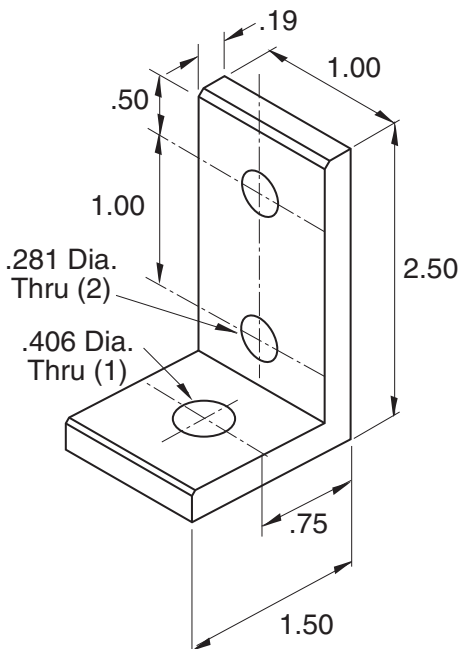
Recommended
Hardware
(4) 11-221 SHCS
(4) 11-210 T-nut



1/4" SLOTS

Material - Aluminum
Finish - Clear Anodize

11-270



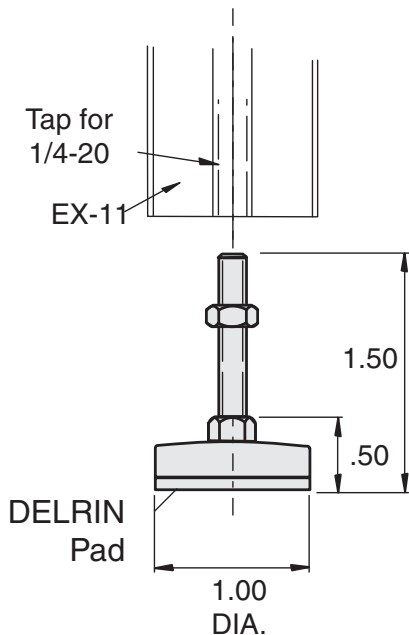
Recommended
Hardware
(2) 11-221 SHCS
(2) 11-210 T-nut

1/4" SLOTS

Material - Steel
Finish - Black Powder Coat

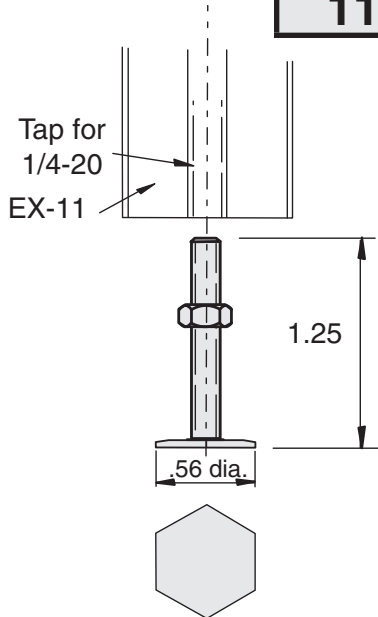
11-35

11-36



Load = 100 lbs

11-35



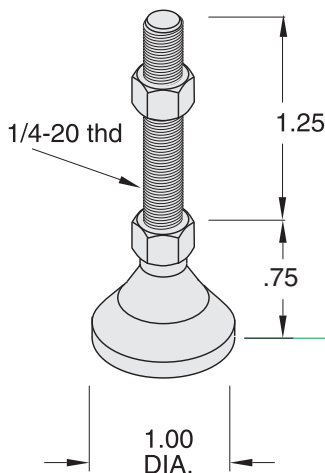
Load = 150 lbs

11-36

Material - Steel

Deluxe Leg

11-52



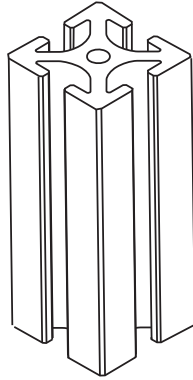
Load = 2000 lbs

1/4" SLOTS

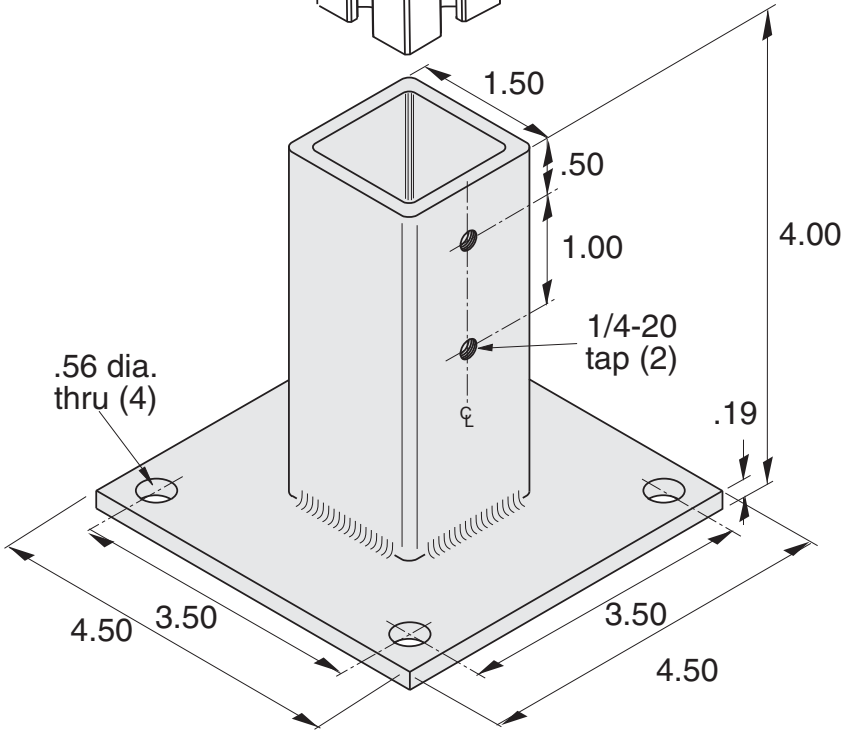
Steel Flanged Foot



11-70



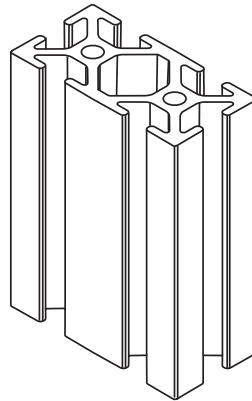
use with EX-11



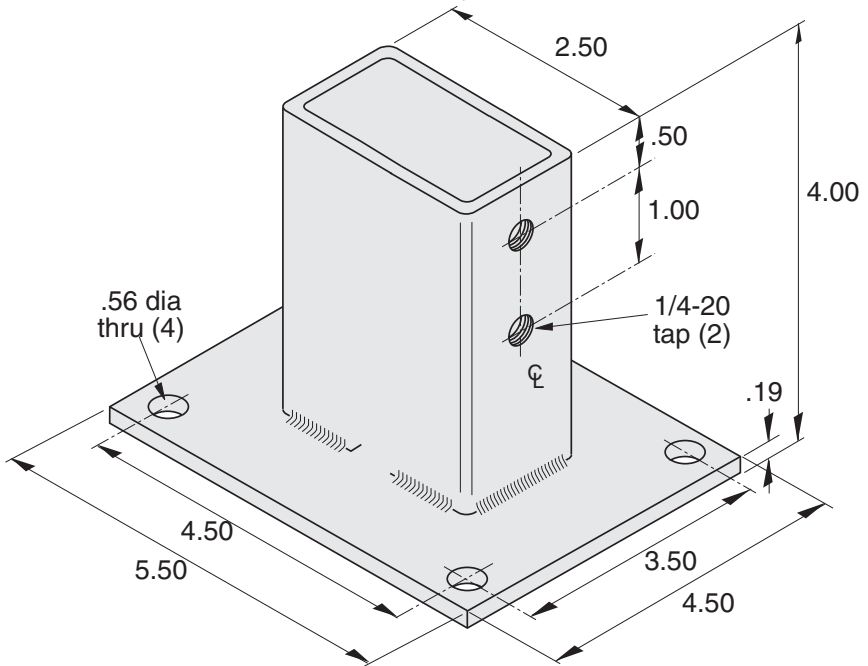
1/4" SLOTS

Recommended Hardware
(2) 11-223 SHCS

Material - Steel
Finish - Black Powder Coat



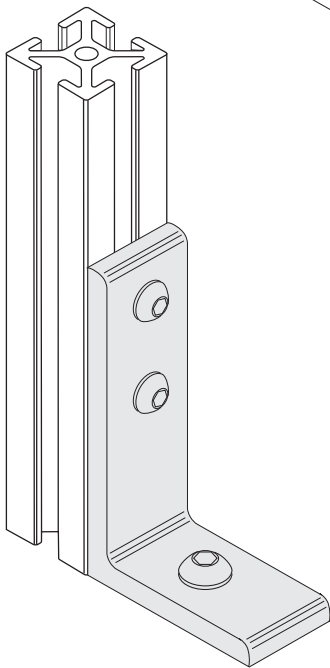
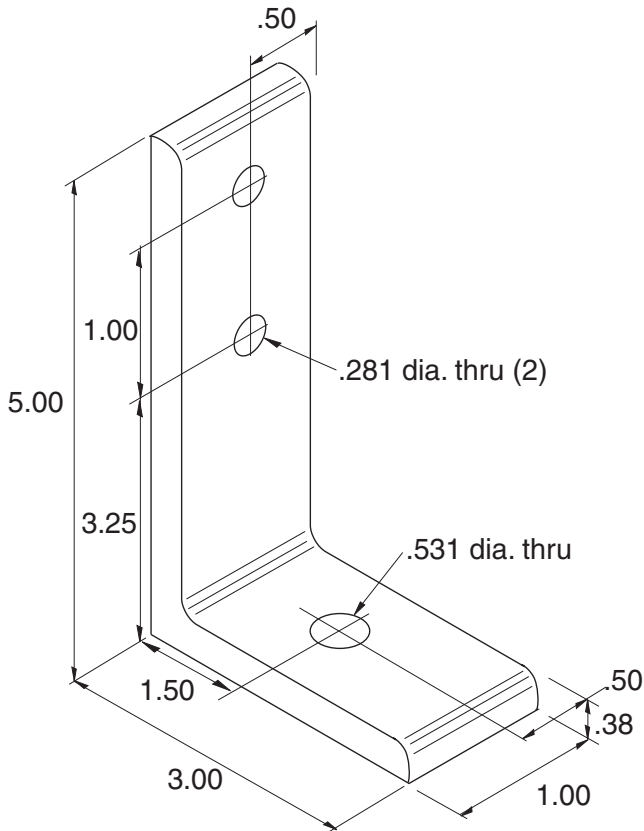
use with EX-12



1/4" SLOTS

Recommended
Hardware
(2) 11-223 SHCS

Material - Steel
Finish - Black Powder Coat



**Recommended
Hardware**
(2) 11-232 BHCS
(2) 11-205 T-nut

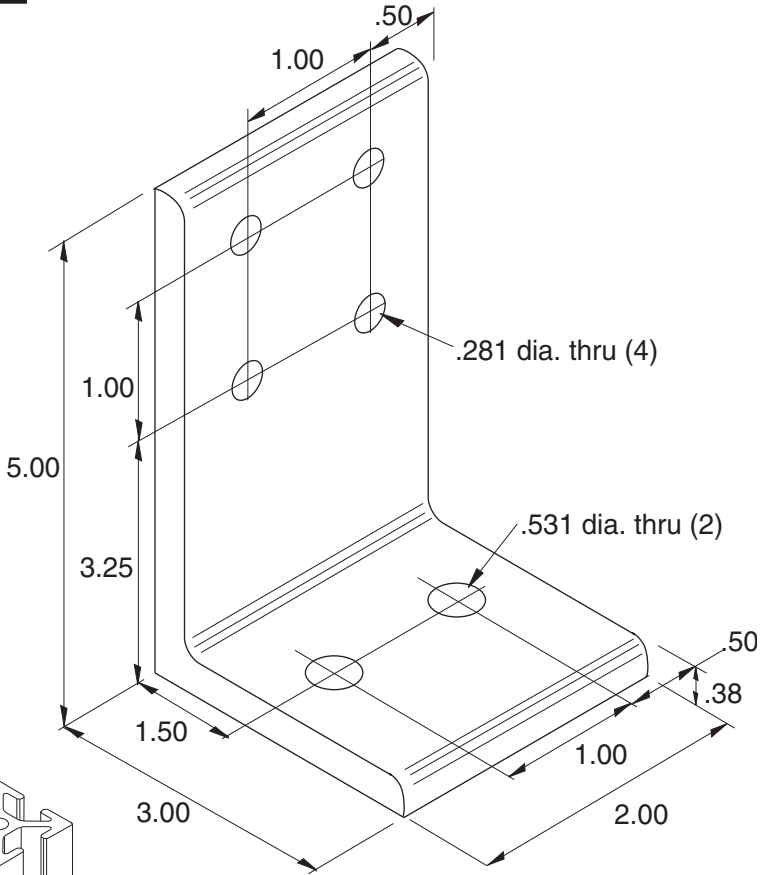
**Material - Aluminum
Finish - Clear Anodize**

1/4" SLOTS

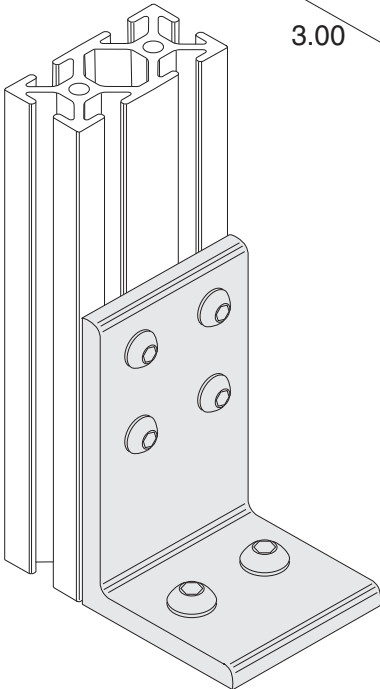
Economy Aluminum Floor Mount



11-74

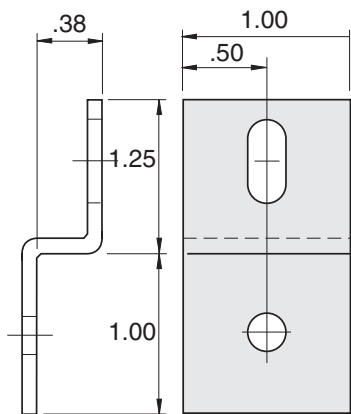


1/4" SLOTS

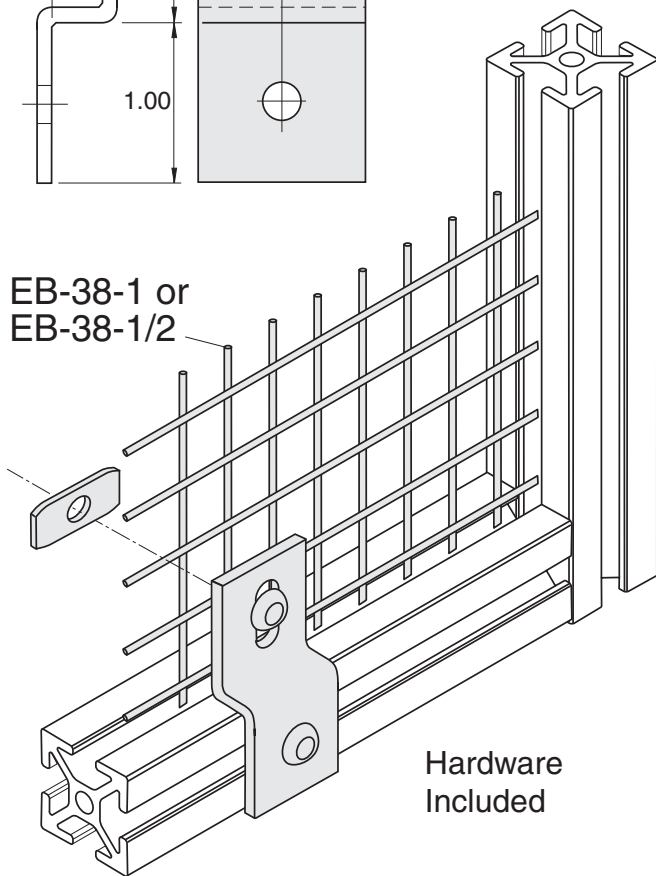


Recommended Hardware
(4) 11-232 BHCS
(4) 11-205 T-nut

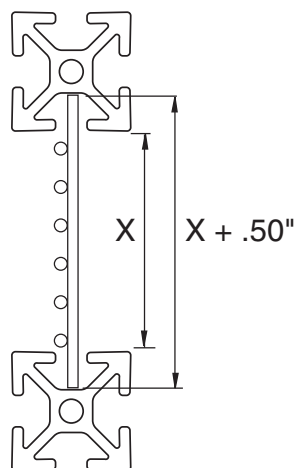
Material - Aluminum
Finish - Clear Anodize



EB-38-1 or
EB-38-1/2



Hardware
Included



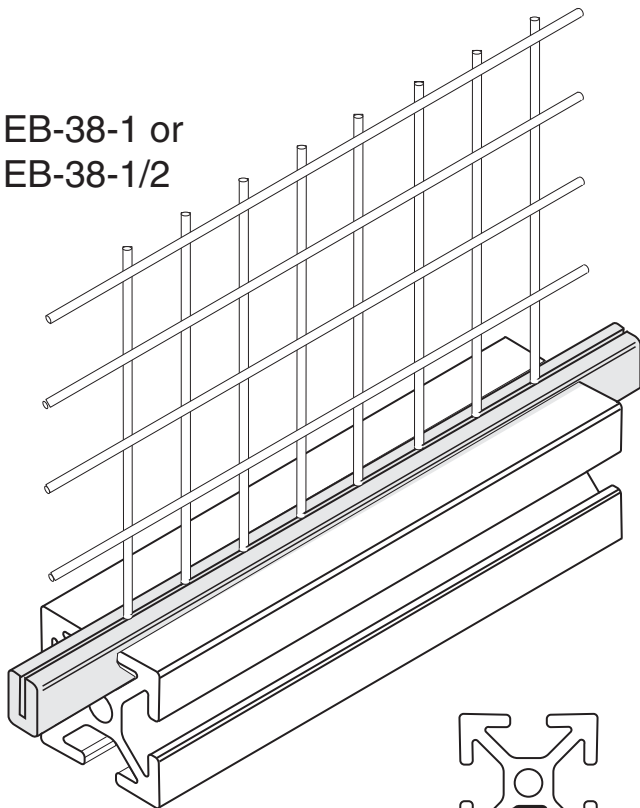
Cut wire
mesh to
 $X + .50$ "

1/4" SLOTS

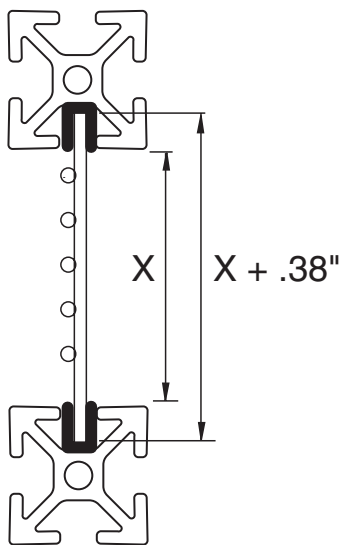
Material - Steel
Finish -Black Powder Coat

11-31

EB-38-1 or
EB-38-1/2



Note: Provides snug fit



Cut wire mesh
to $X + .38''$

1/4" SLOTS

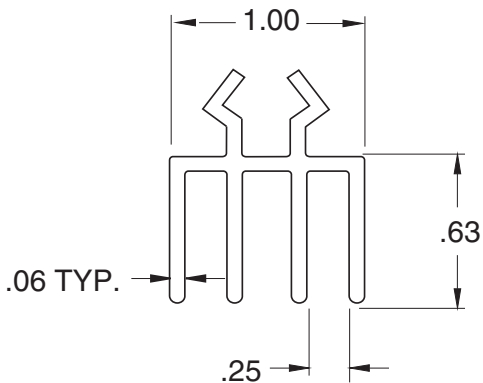
Upper Door Slide (3 track)

11-32

Lower Door Slide (3 track)

11-33

11-32



Material - Rigid PVC

Sold in 6 foot lengths



11-33

Cut Panels to X - 1/2"

1/4" SLOTS

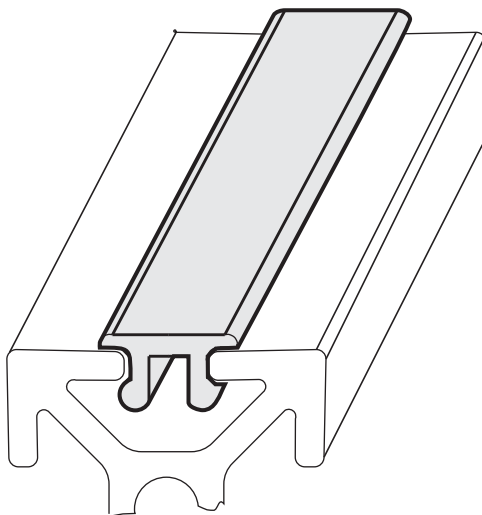
Sold in 6 foot lengths

Material - Rigid PVC

T-Slot Cover



11-245
11-246
11-247
11-244



Part No.	
11-244	Safety Orange
11-245	Gray
11-246	Black
11-247	Yellow

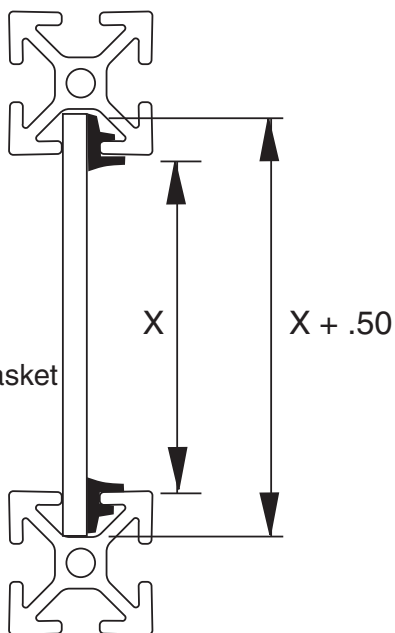
Sold in 6 ft. lengths

Material - Rigid PVC

1/4" SLOTS

 3/16" (.17 actual)

Note: Install panel, then gasket



Cut panel to $X + .50$ "

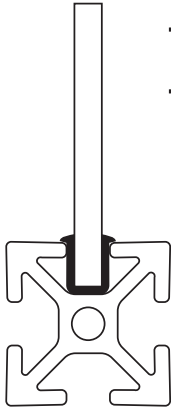
1/4" SLOTS

Material - Black Flexible PVC

Plastic Panel Retaining Gasket

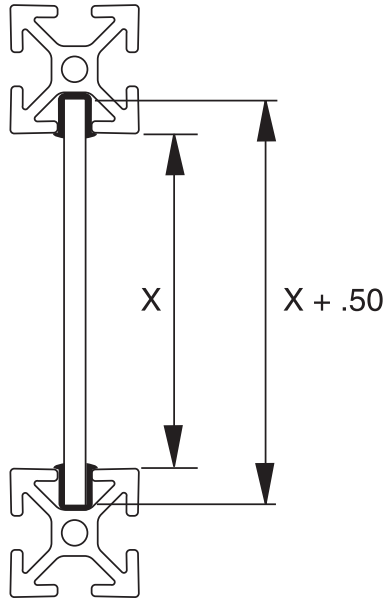


11-298	3/16" for .170 thick panels
11-299	1/8" for .125 thick panels

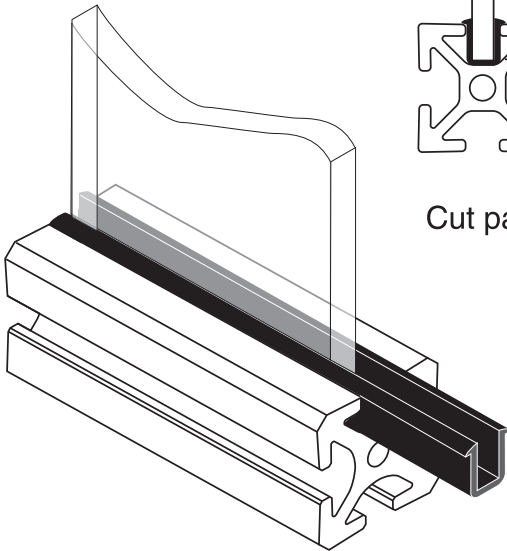


11-298 for .170 thick panels

11-299 for .125 thick panels

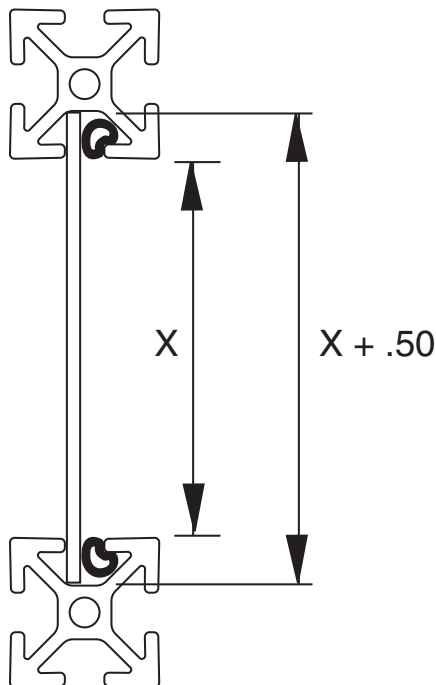
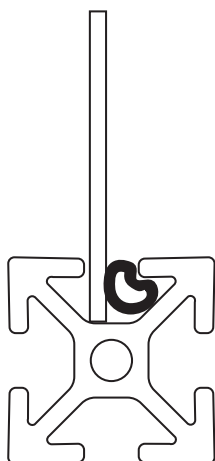
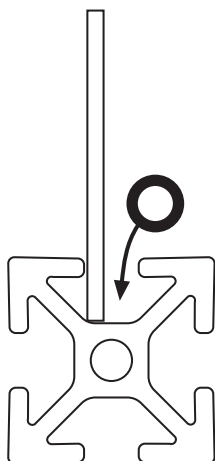


Cut panel to $X + .50$ "



Material:
Flexible Vinyl
(Gray)

1/4" SLOTS



Cut panel to $X + .50$ "

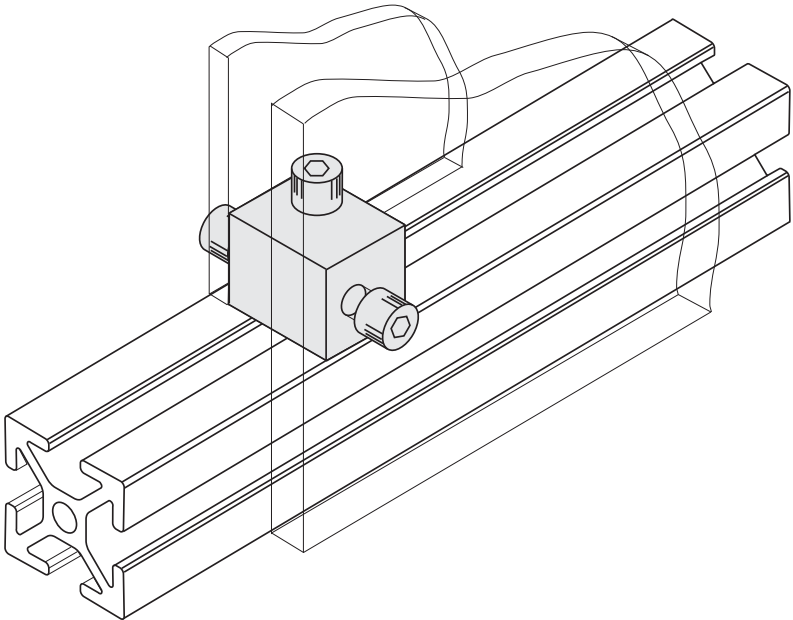
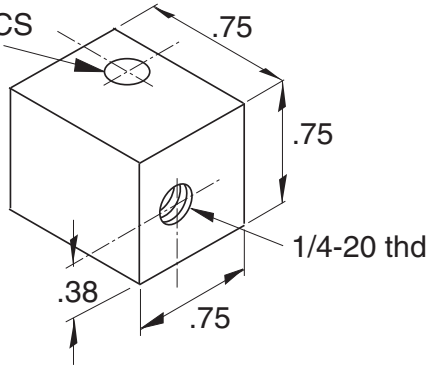
Material	Thickness
16 gage	.060
14 gage	.075
13 gage	.090
12 gage	.105

Material - Rubber (Black)

1/4" SLOTS

11-260

Clearance for
1/4-20 x 1.0 SHCS

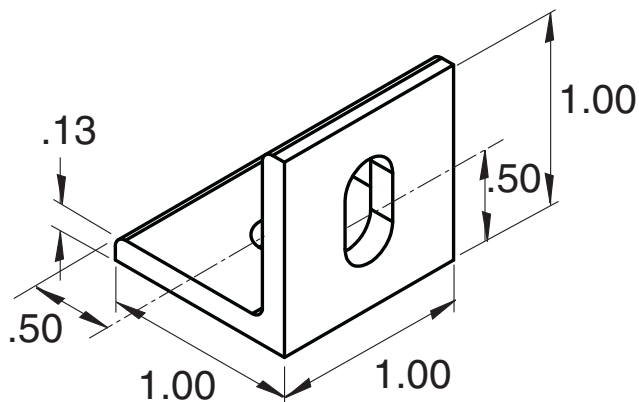


Requires

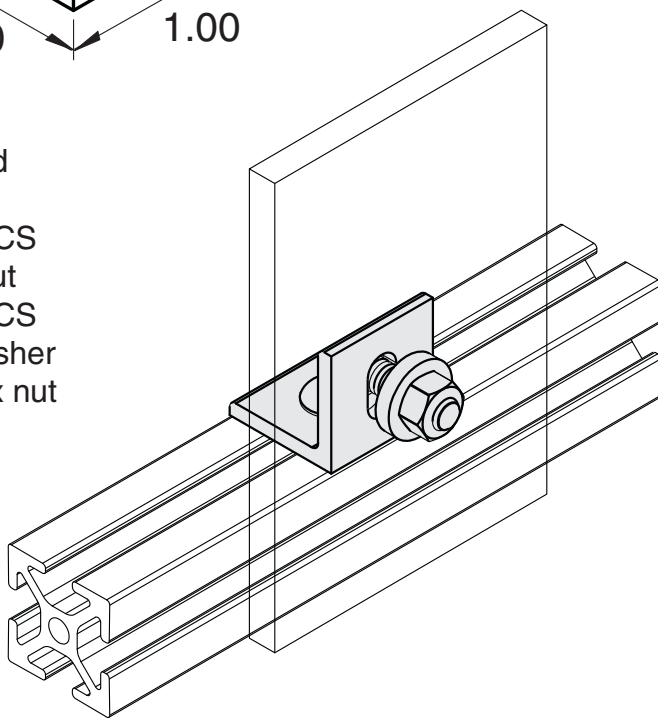
- (1) 11-224 SHCS
- (1) 11-210 T-nut
- (1) 11-231 BHCS

Material - Aluminum
Finish - Clear Anodize

1/4" SLOTS

**Recommended
Hardware**

- (1) 11-230 BHCS
- (1) 11-210 T-nut
- (1) 11-233 BHCS
- (1) 11-240 Washer
- (1) 11-241 Hex nut

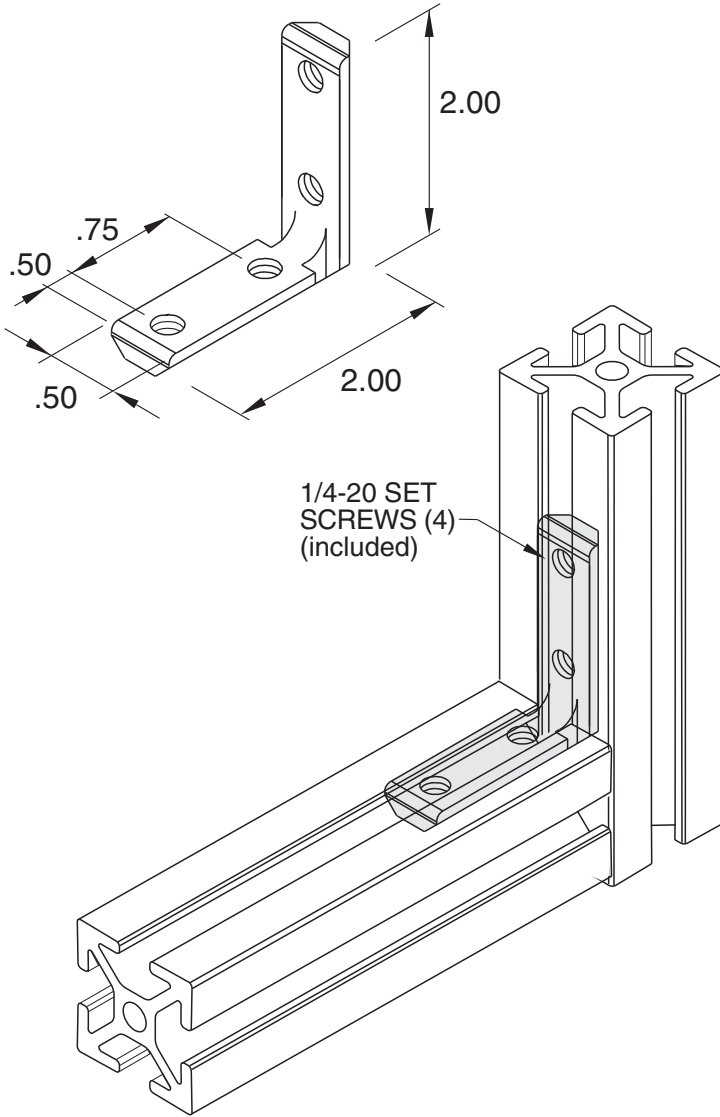
**1/4" SLOTS**

Material - Aluminum
Finish - Clear Anodized

Internal Corner Bracket



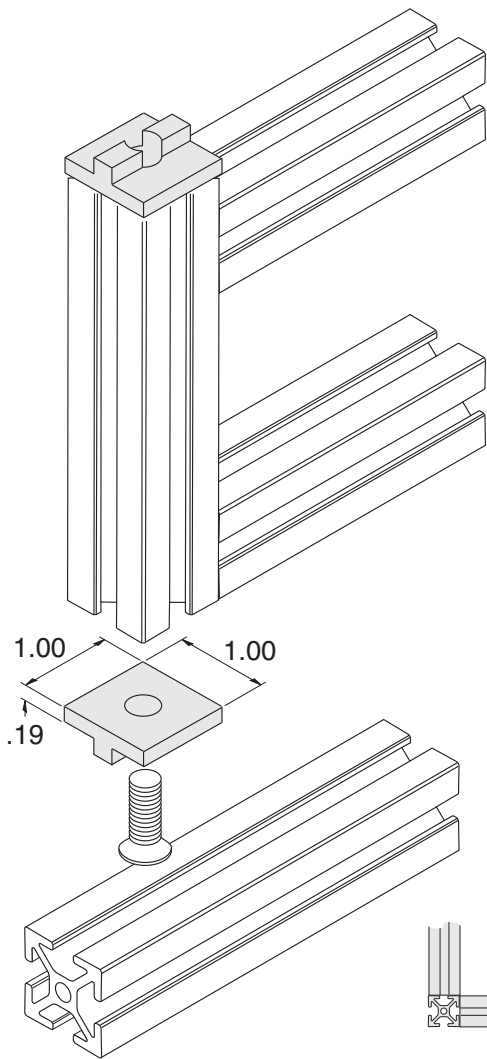
11-261



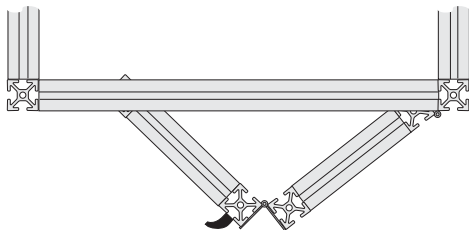
1/4" SLOTS

Material - Steel
Finish - Zinc Plated

11-310



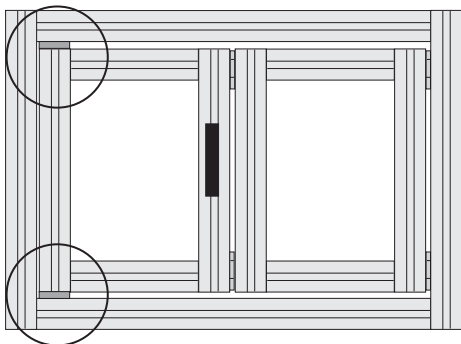
Use on 1" x 1" sq. extrusions
with 1/4" wide slots



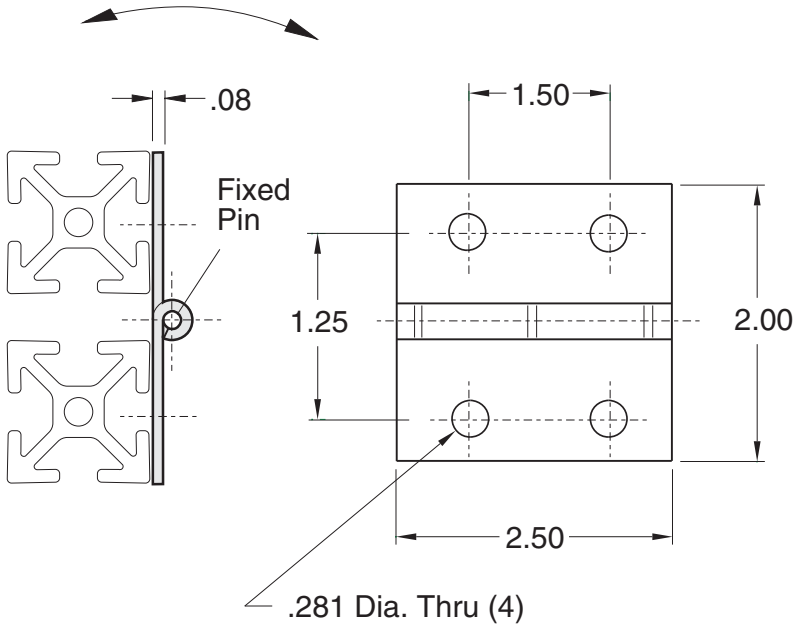
1/4" SLOTS

Hardware Included

Pad material is DELRIN



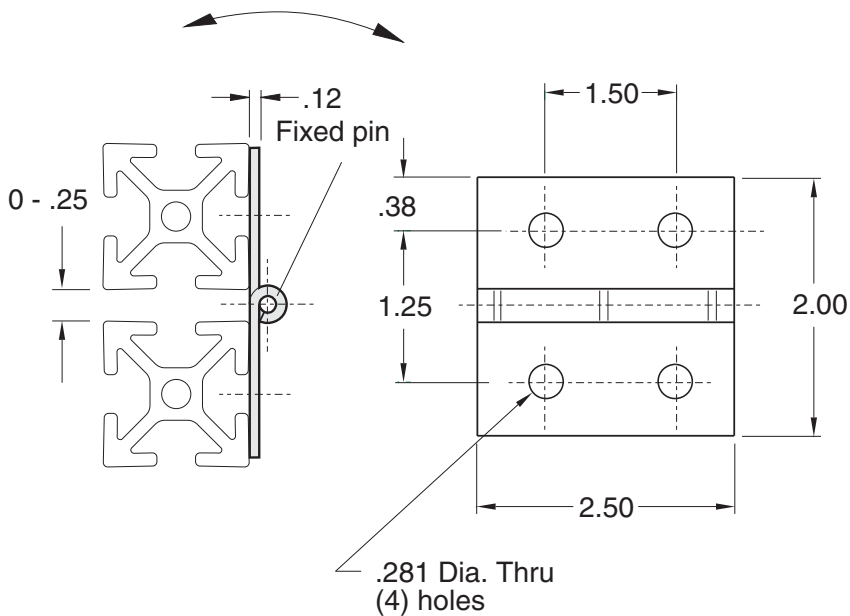
11-252



1/4" SLOTS

Hardware Included

Material - Aluminum
Finish - Clear Anodize

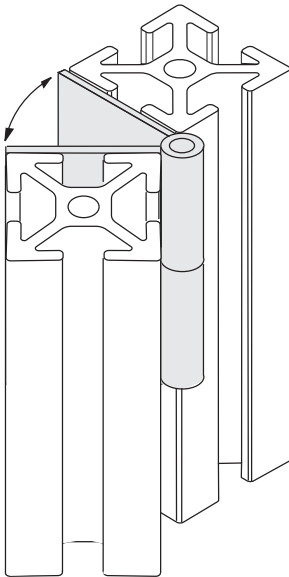
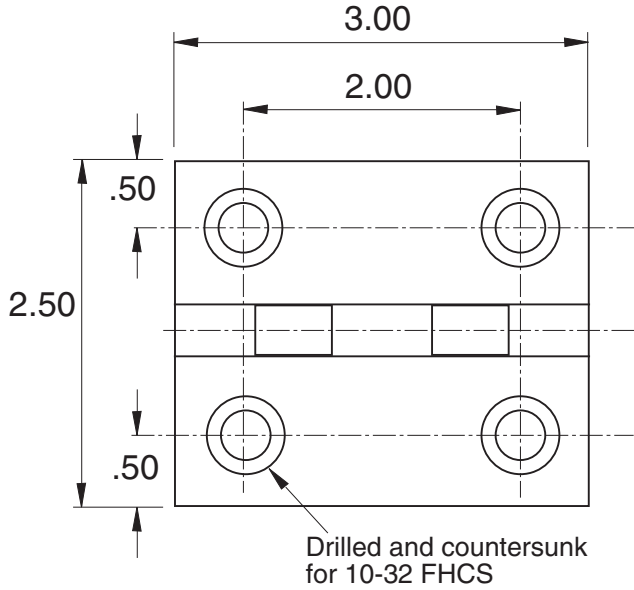


Hardware Included

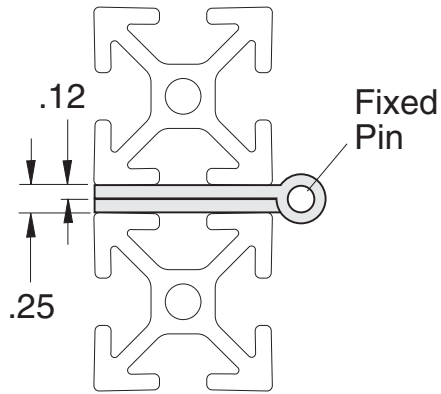
Material Steel
Finish Black Powder Coat

1/4" SLOTS

11-285

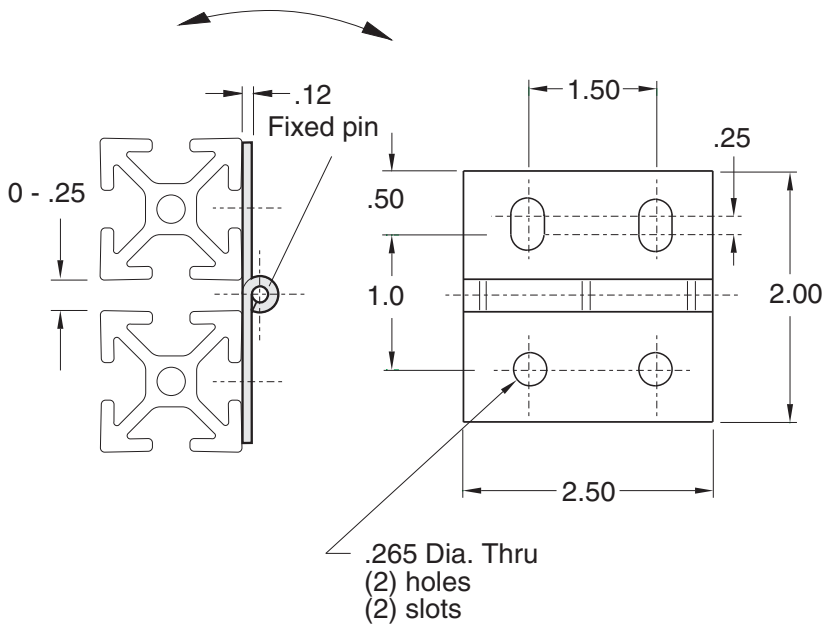


1/4" SLOTS



Hardware Included

Material - Steel
Finish - Black Powder Coat



Hardware Included

Material - Steel
Finish - Black Powder Coat

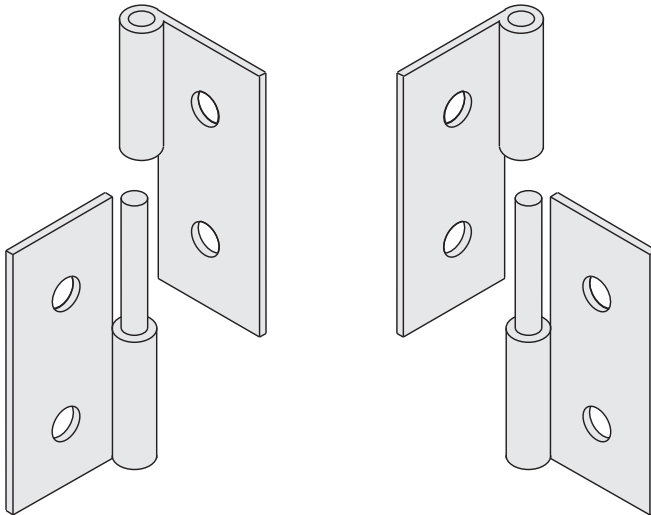
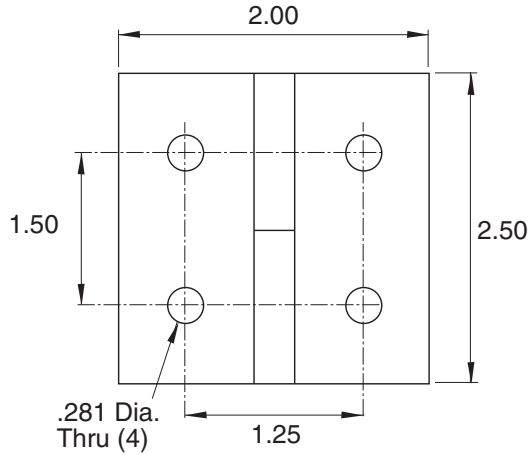
1/4" SLOTS

Steel Lift-Off Hinge



11-253	Steel Lift-Off Hinge (left hand)
11-254	Steel Lift-Off Hinge (right hand)

Hardware Included



11-253

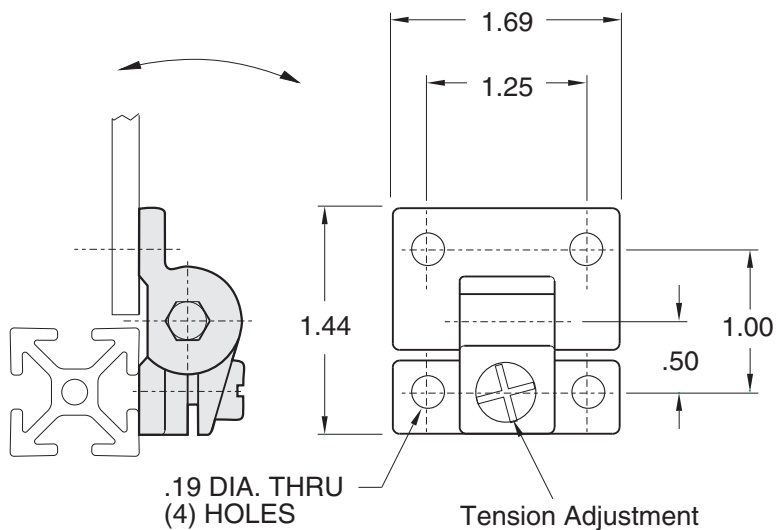
Left Hand

11-254

Right Hand

Material - Steel
Finish - Zinc Plated

1/4" SLOTS



Hardware Included

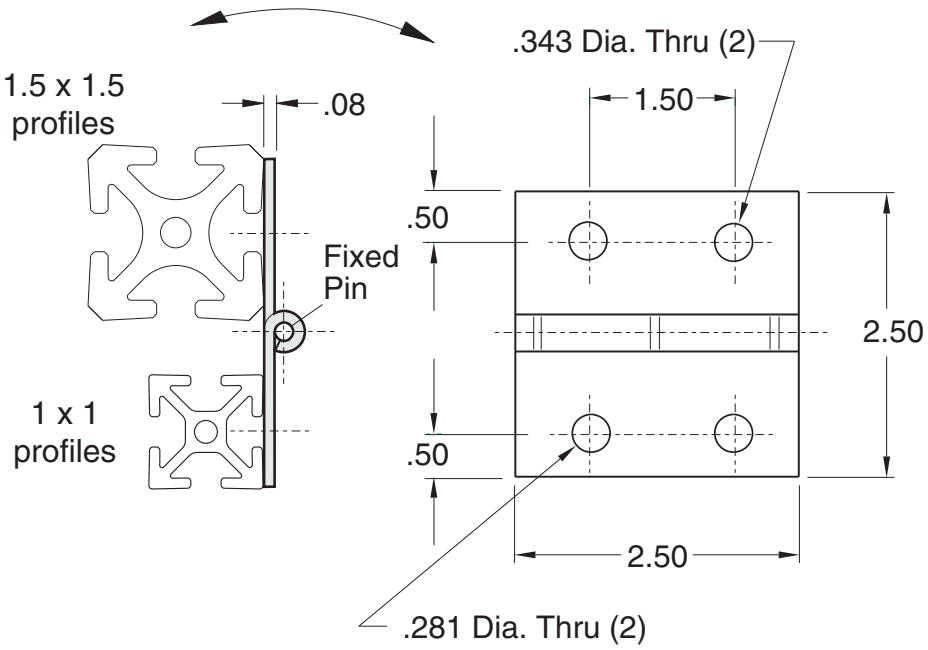
1/4" SLOTS

Material - Plastic

Aluminum Transition Hinge
(EX-1, EX-6 or EX-9 to EX-11)



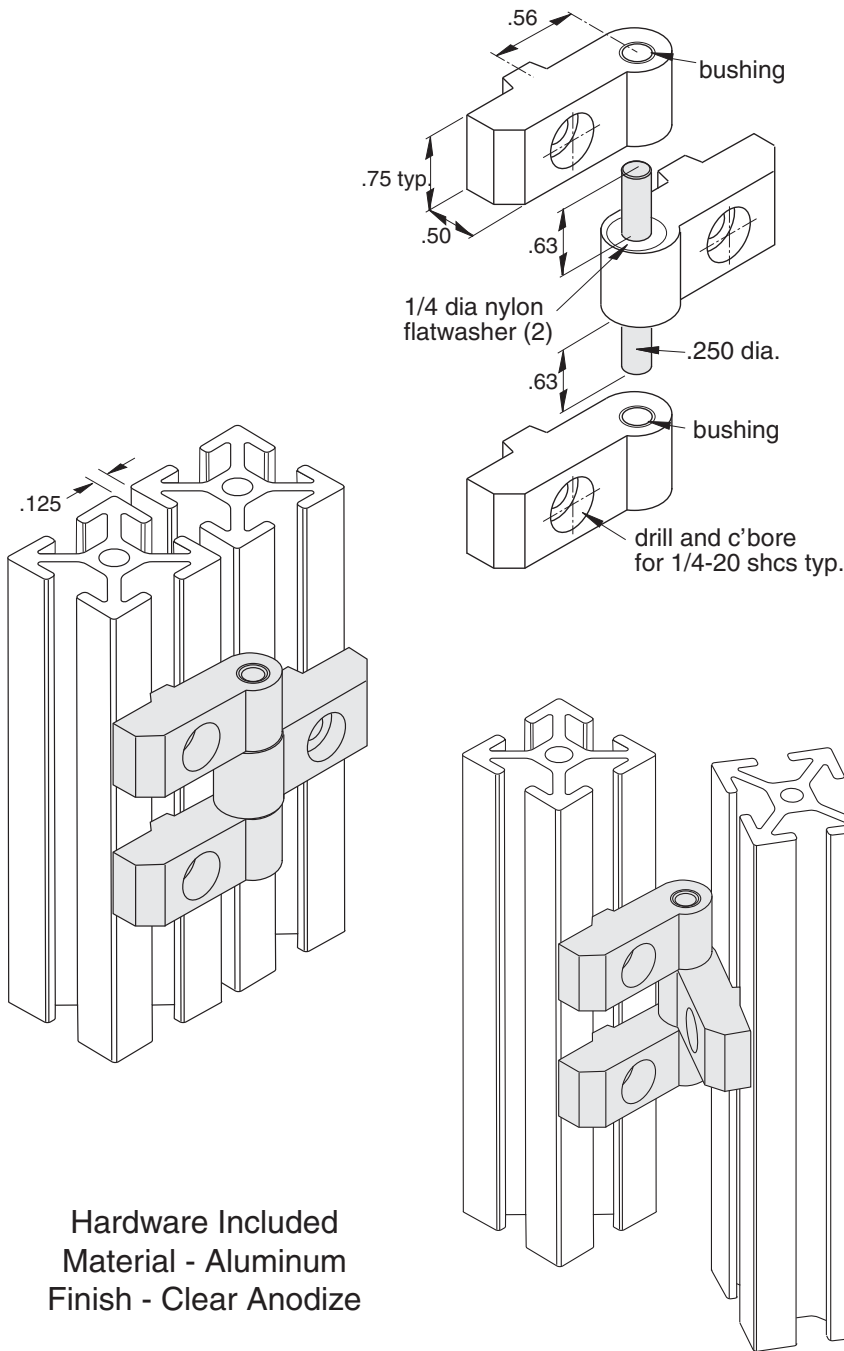
11-280



Hardware Included

Material - Aluminum
Finish - Clear Anodize

1/4" SLOTS



Left Hand Lift-Off Hinge - 1 / 4" slots

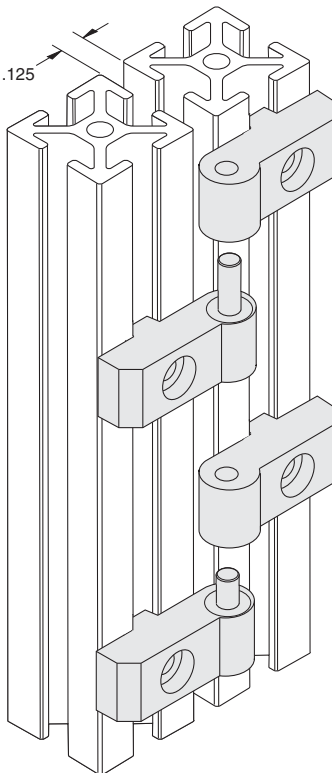
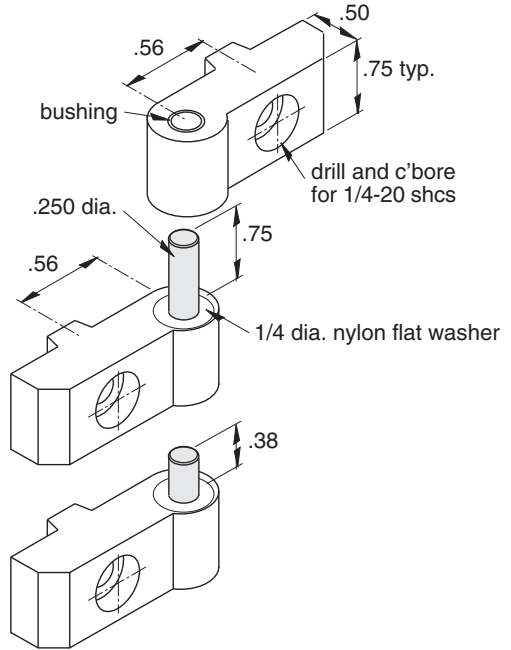


11-402
11-402L
11-402S

One Set w/Long & Short Pin Assemblies

Long Pin Assembly Only

Short Pin Assembly Only



1/4" SLOTS

11-402L

Hardware Included
Material - Aluminum
Finish - Clear Anodize

Note: Use short and long pin assemblies together as shown to ease lift-off and replacement of doors.

11-402S



Right Hand Lift-Off Hinge - 1/4" slots

One Set w/Long & Short Pin Assemblies

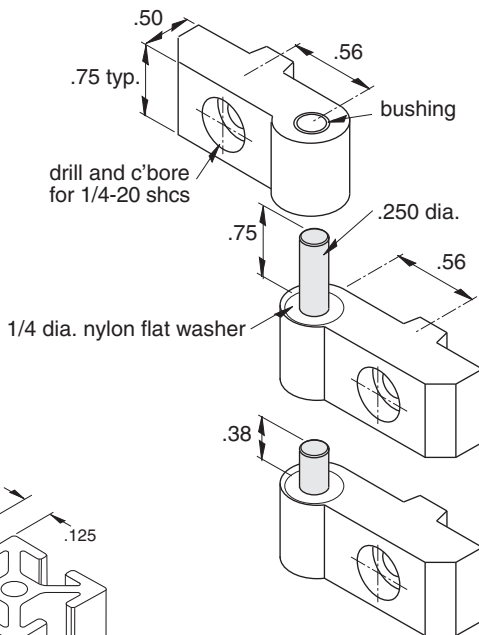
11-403

Long Pin Assembly Only

11-403L

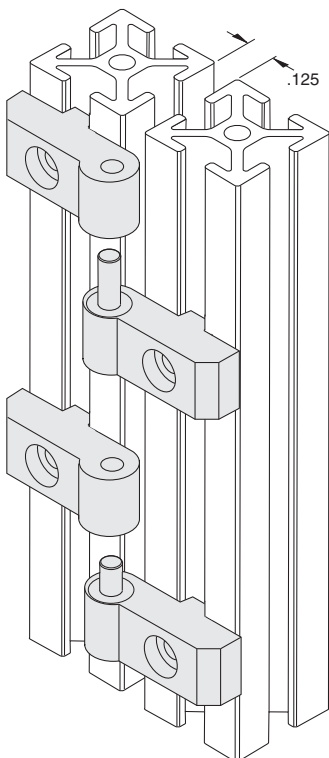
Short Pin Assembly Only

11-403S



11-403L

11-403S



Hardware Included
Material - Aluminum
Finish - Clear Anodize

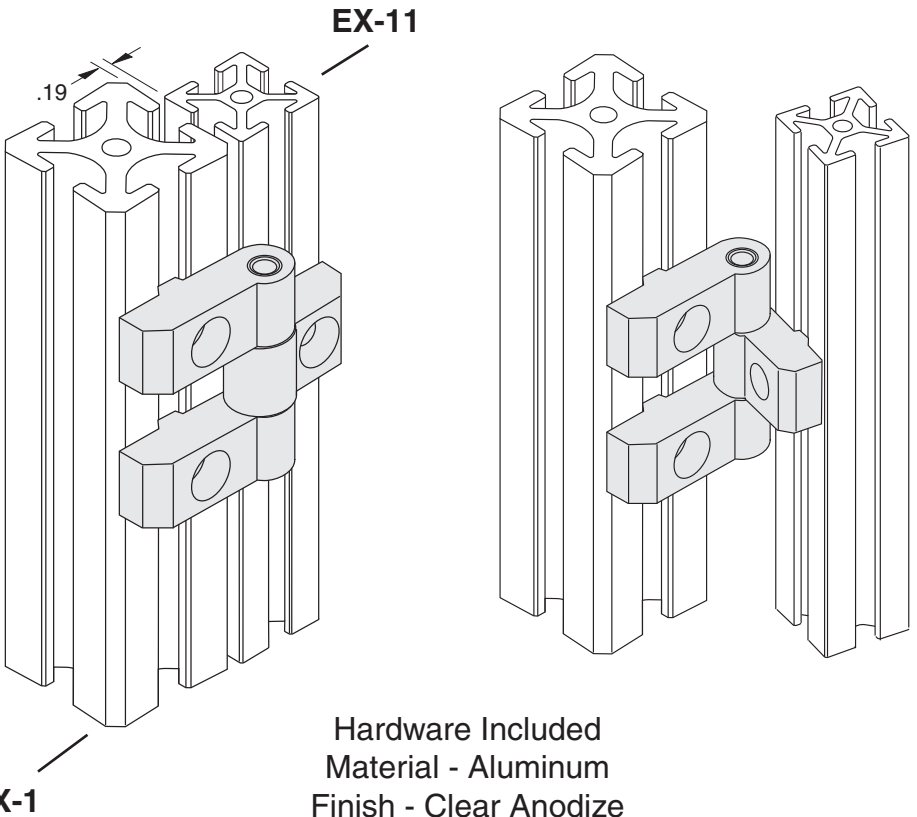
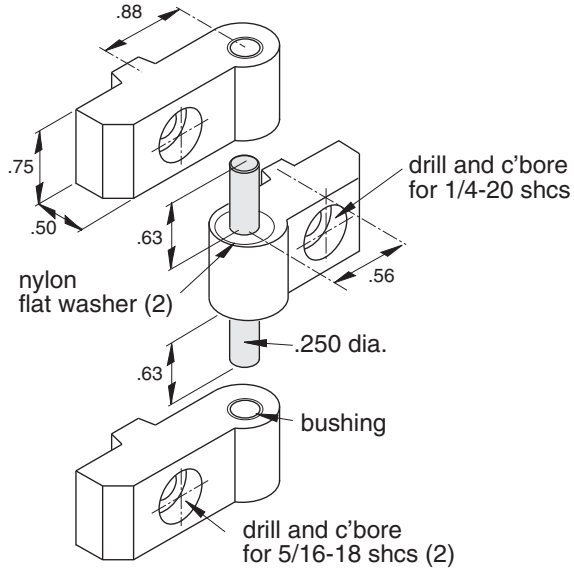
Note: Use short and long pin assemblies together as shown to ease lift-off and replacement of doors.

1/4" SLOTS

Heavy Duty Transition 5/16 - 1/4 slots Hinge Assembly



EB-140



1/4" SLOTS

Hardware Included
Material - Aluminum
Finish - Clear Anodize

One Set w/Long & Short Pin Assemblies

EB-142

Long Pin Assembly Only

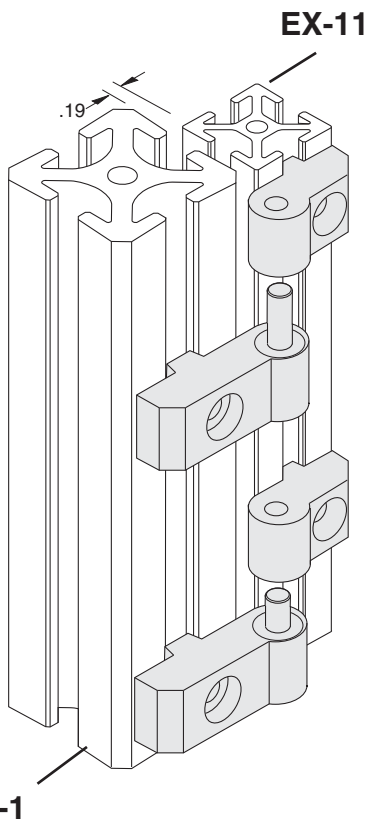
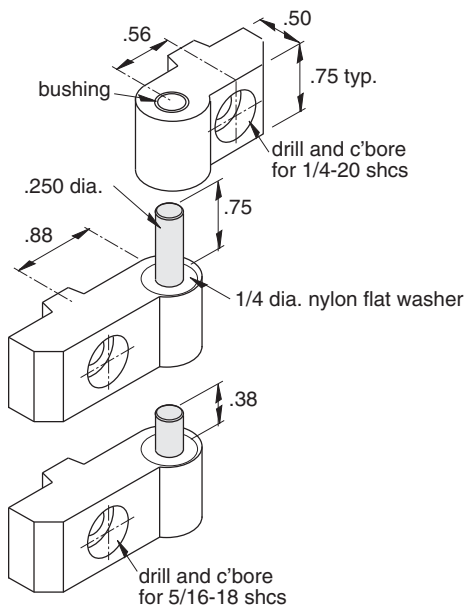
EB-142L

Short Pin Assembly Only

EB-142S

Hardware Included
Material - Aluminum
Finish - Clear Anodize

Note: Use short and long pin assemblies together as shown to ease lift-off and replacement of doors.



EB-142L

EB-142S

1/4" SLOTS

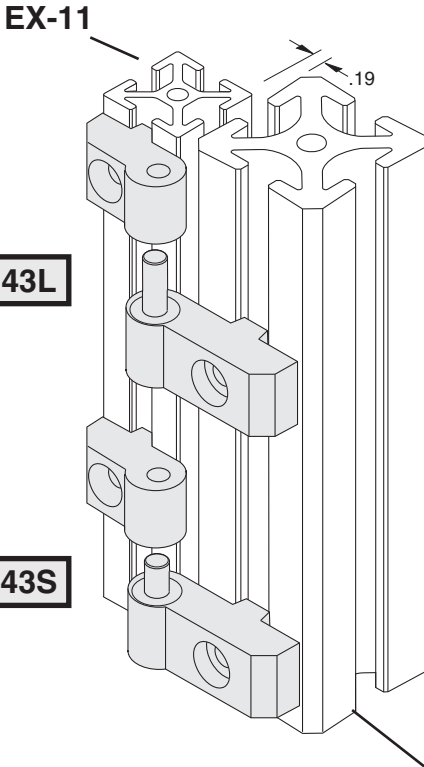
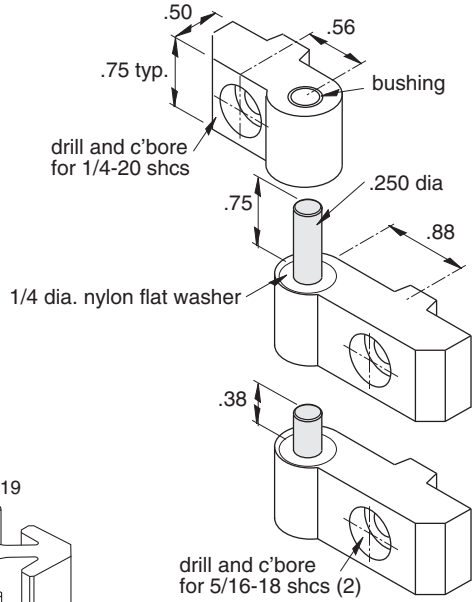
**Right Hand Transition
Lift-Off Hinge 5/16 - 1/4 slots**



EB-143	One Set w/Long & Short Pin Assemblies
EB-143L	Long Pin Assembly Only
EB-143S	Short Pin Assembly Only

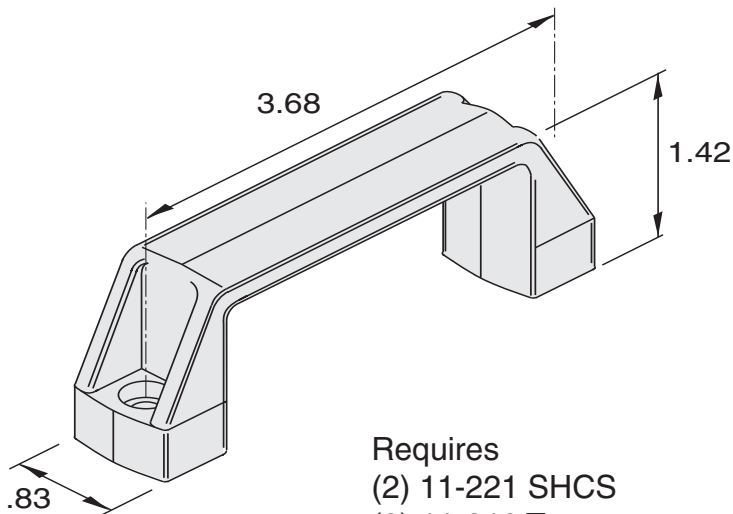
Hardware Included
Material - Aluminum
Finish - Clear Anodize

Note: Use short and long pin assemblies together as shown to ease lift-off and replacement of doors.



1/4" SLOTS

EX-1



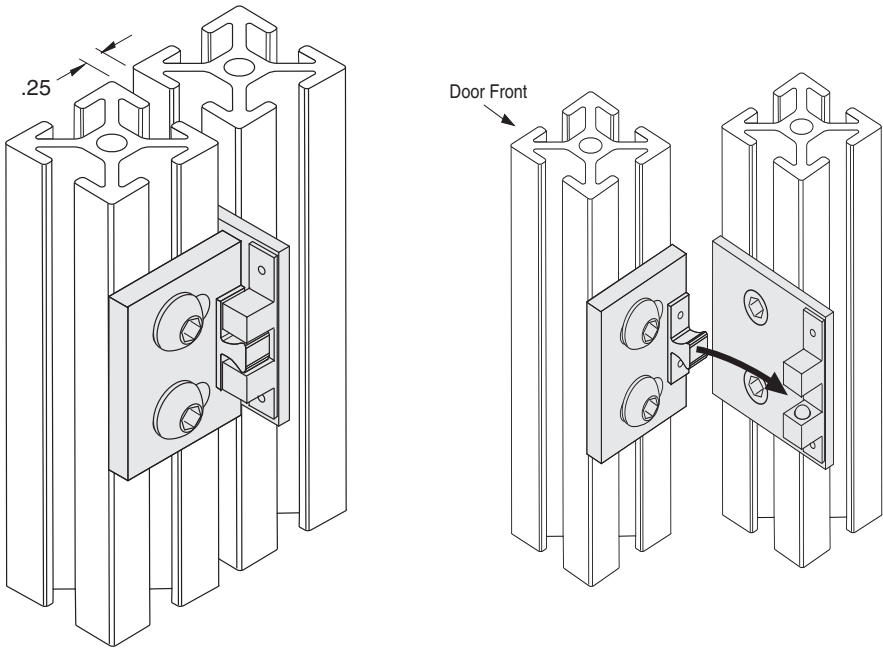
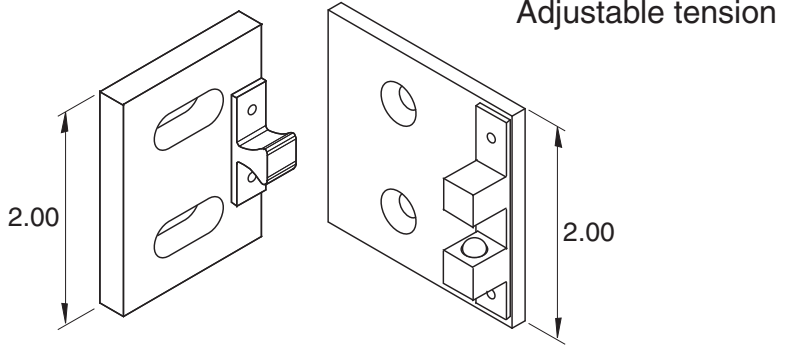
Requires
(2) 11-221 SHCS
(2) 11-210 T-nut

Material - Plastic
Color- Black

Mechanical Latch 1/4" slots

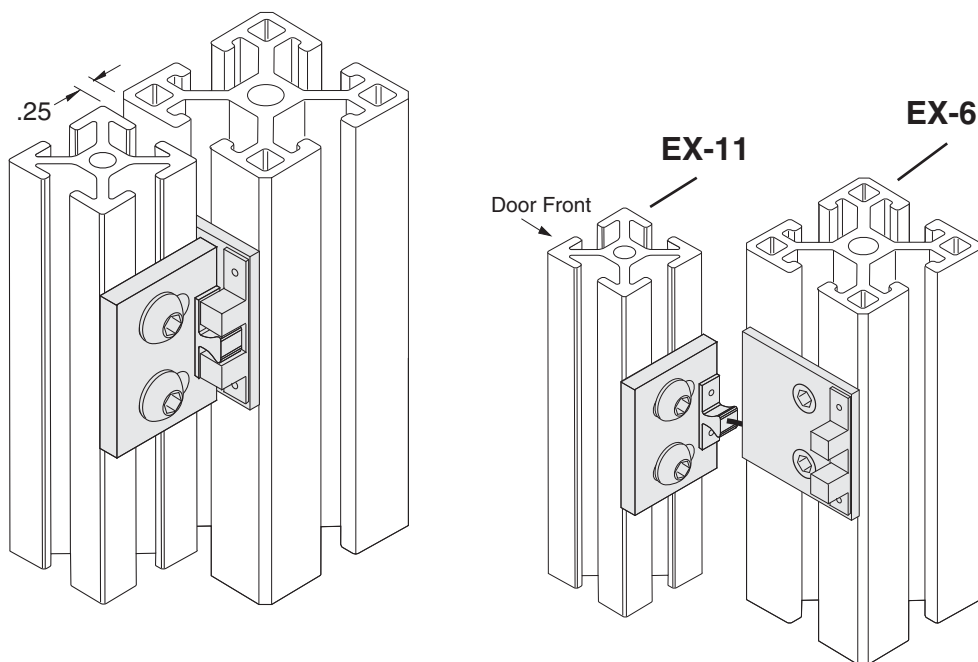
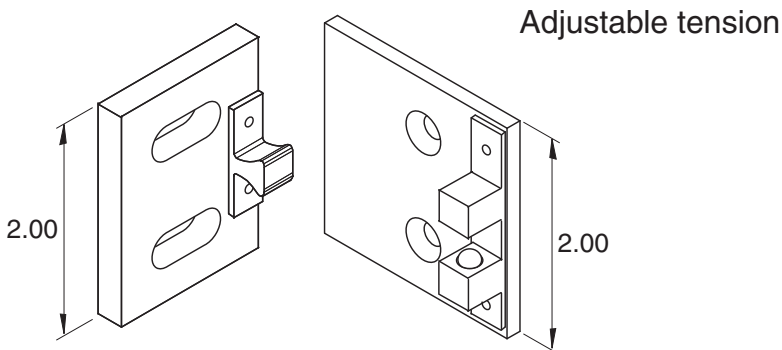


11-282



1/4" SLOTS

Hardware Included
Material Mounting Plates: Aluminum, Clear Anodize
Latch: Zinc Plated Brass



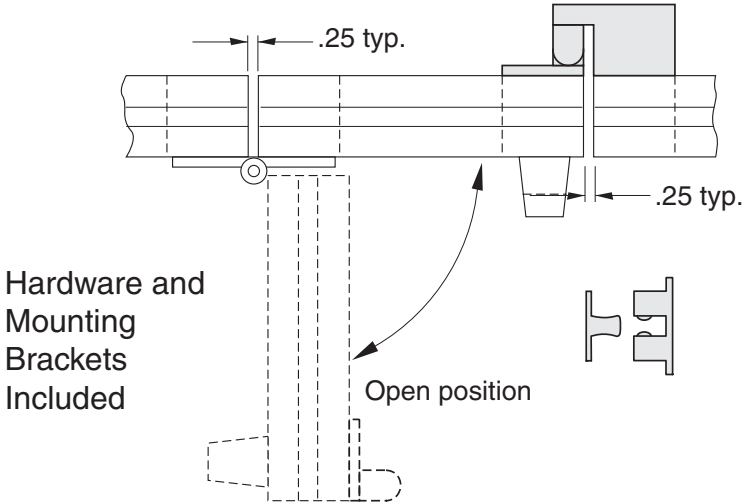
1/4" SLOTS

Hardware Included
Material Mounting Plates: Aluminum, Clear Anodize
Latch: Zinc Plated Brass

Single Door Mechanical Latch



11-264

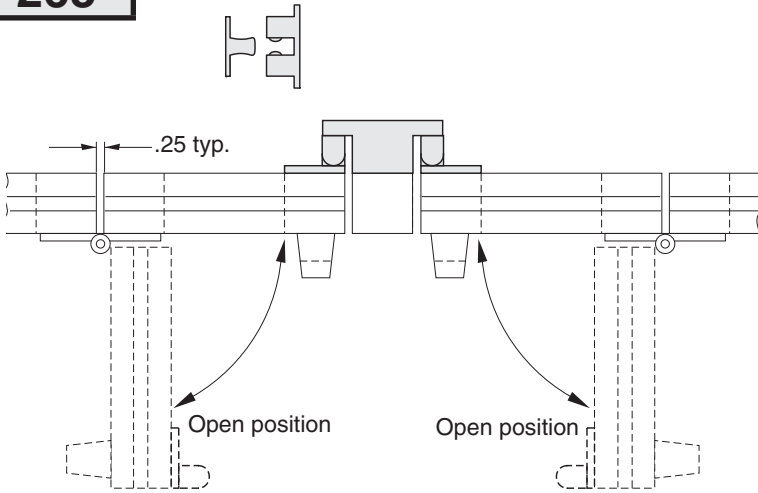


Catch Material - Zinc Plated Brass
Base Material - Aluminum

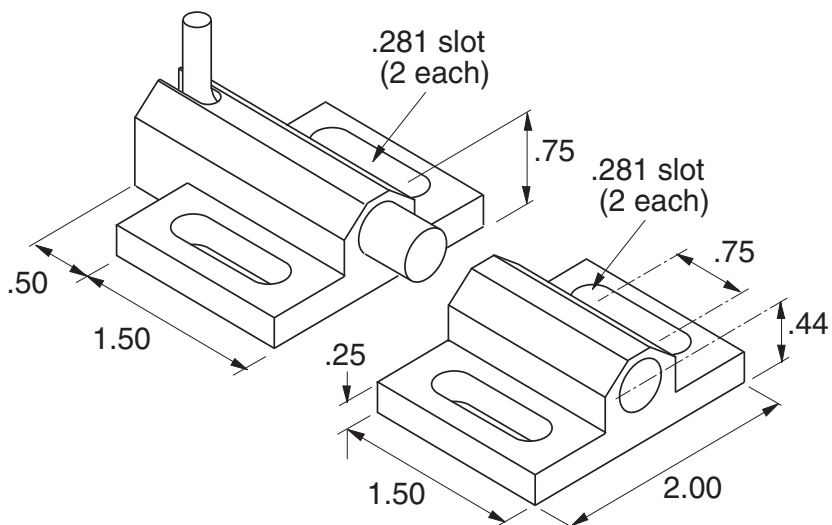
Double Door Mechanical Latch

11-265

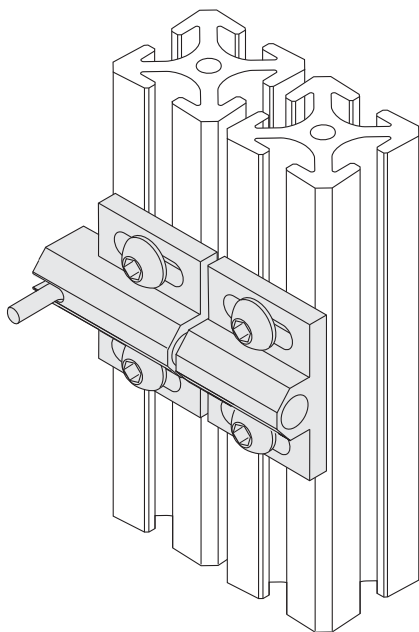
1/4" SLOTS



Hardware and Mounting Brackets Included
Catch Material - Zinc Plated Brass
Base Material - Aluminum



Hardware Included



Material:
 Mounting Plates:
 Aluminum, Clear Anodize
 Dead Bolt: Zinc Plated Steel

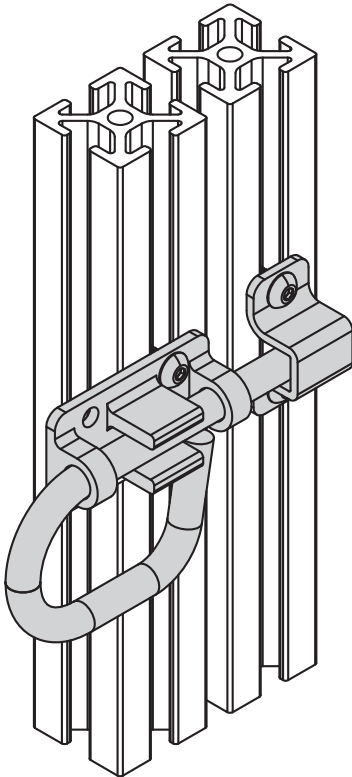
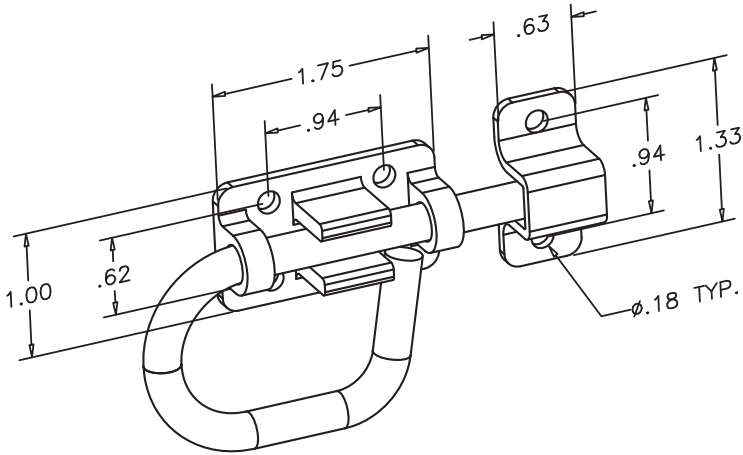
1/4" SLOTS

Deadbolt Latch



11-273

.281 dia. Bolt

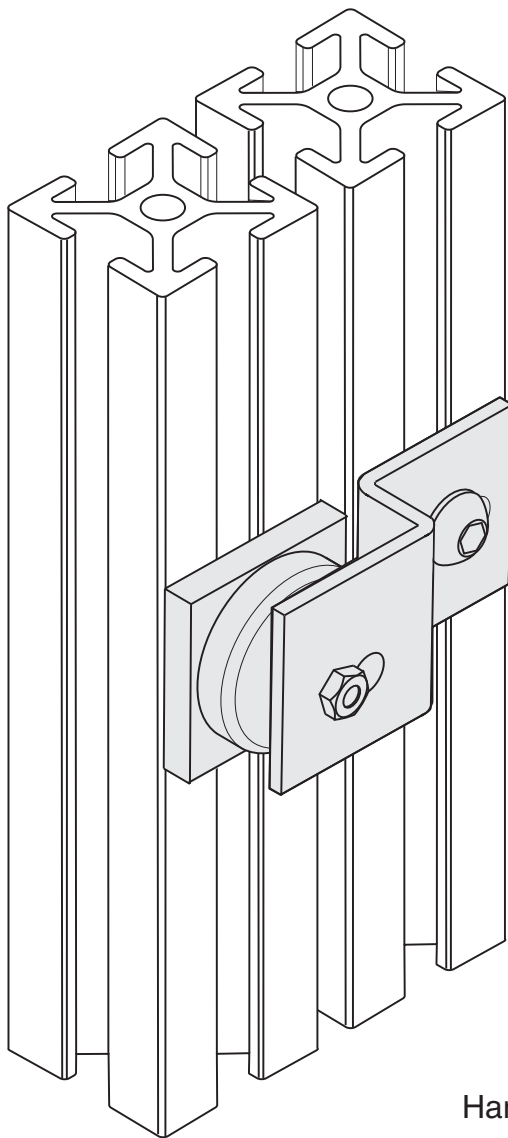


1/4" SLOTS

Hardware Included

Use with 1/4" slot extrusions

Material - Zinc Plated Steel



Hardware Included

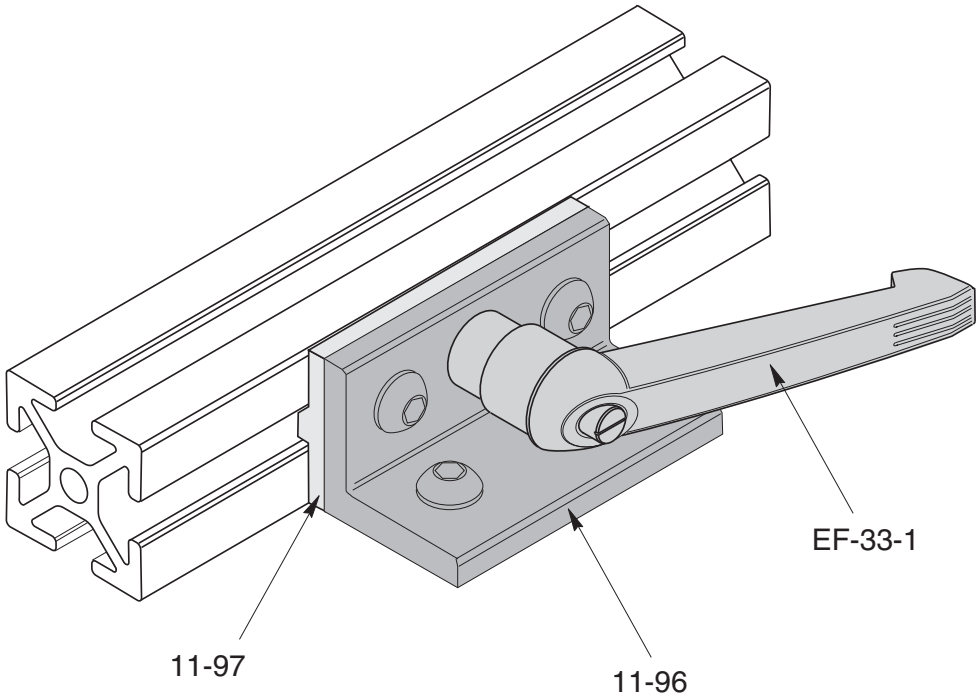
Material - Steel
Finish - Zinc Plated

1/4" SLOTS

Slider Assembly



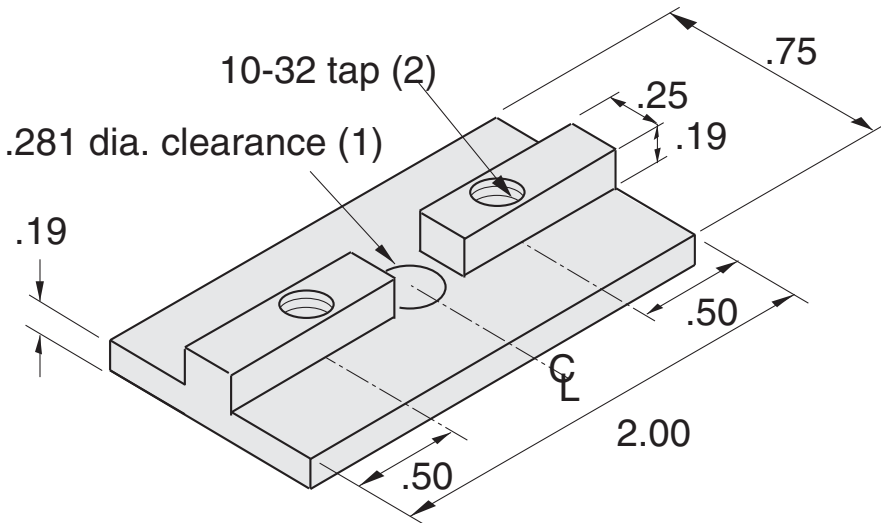
11-98	Slider Assembly (as shown)
11-99	Slider Assembly (less clamp handle for sliding only)



1/4" SLOTS

Bearing Material is DELRIN (White)

Hardware Included with 11-98 and 11-99

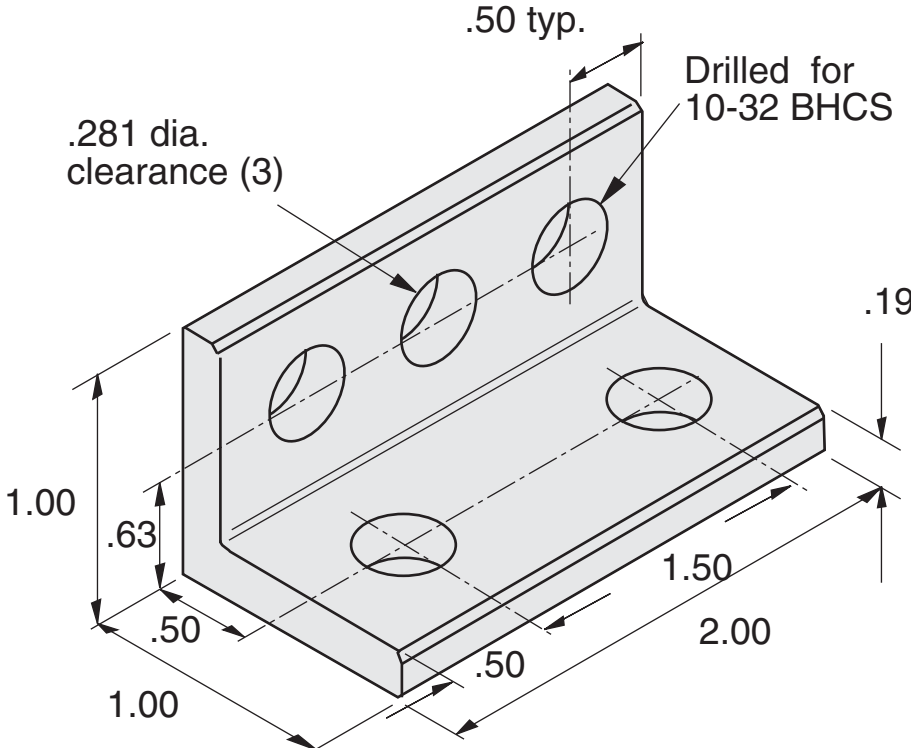


Load Capacity = 50lbs

Bearing Material is DELRIN (White)

1/4" SLOTS

11-96

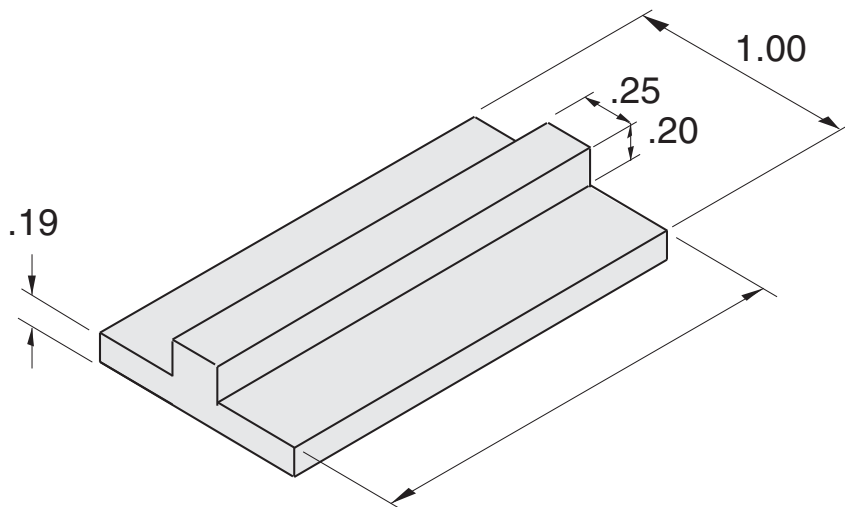


1/4" SLOTS

- Recommended Hardware
- (2) 11-231 BHCS
 - (2) 11-210 T-nut
 - (2) 10-32 x 5/8 BHCS

Note: see part no. 11-98 for example

Material - Aluminum
Finish - Clear Anodize



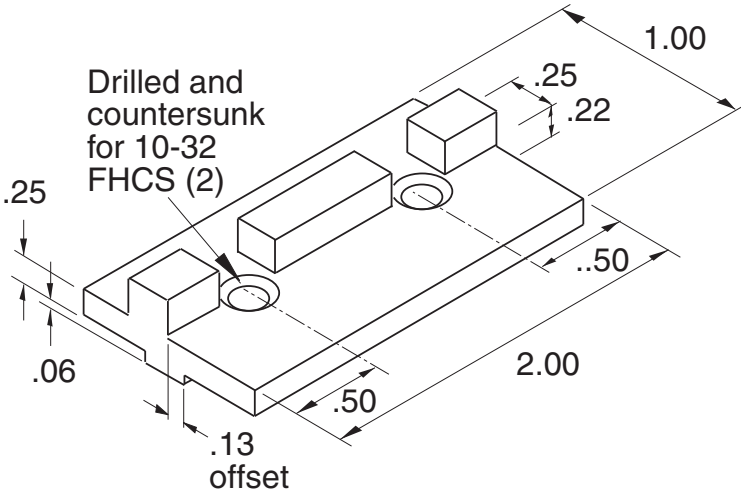
Stock Length 60"

Material - UHMW (White)

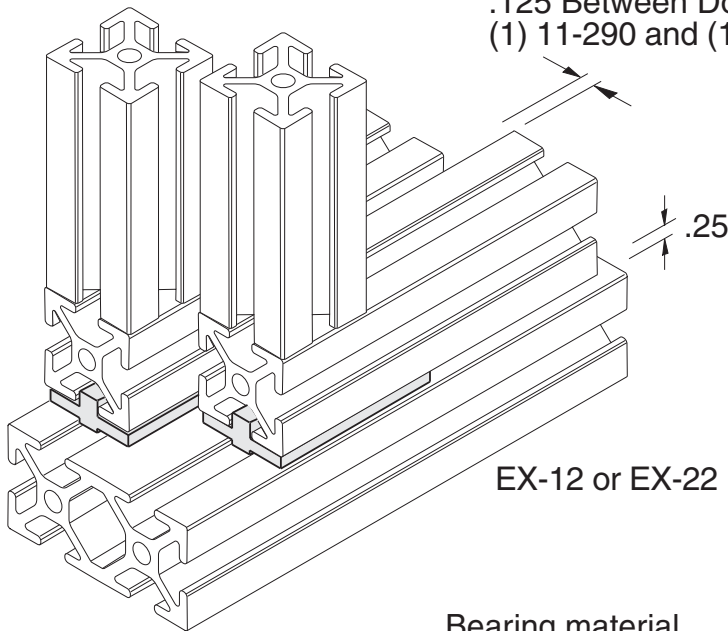
Offset Bearing Block (Plastic)



11-290



.25 Between Doors
with (2) 11-290
.125 Between Doors with
(1) 11-290 and (1) 11-291



Bearing material
is DELRIN (White)

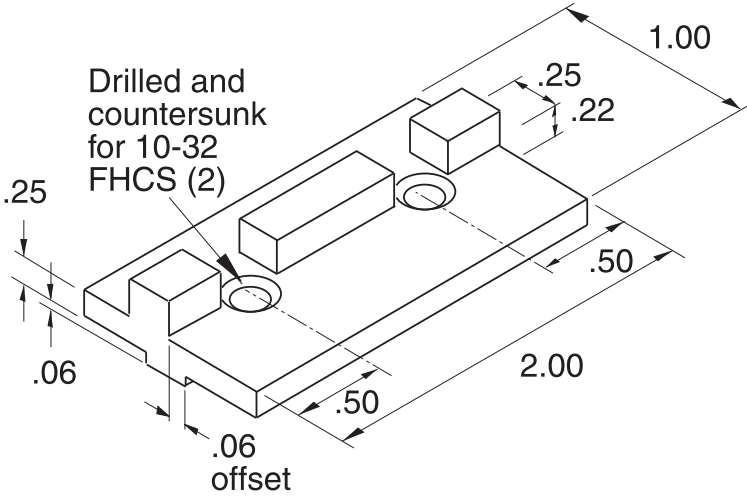
Hardware Included

1/4" SLOTS

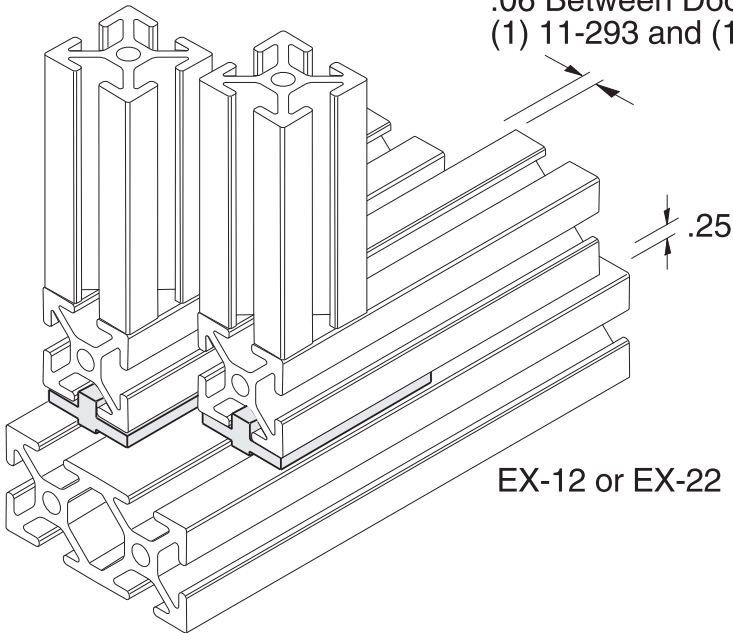
Offset Bearing Block (Plastic)



11-293



.13 Between Doors with (2) 11-293
.06 Between Doors with (1) 11-293 and (1) 11-291



Hardware Included

Bearing material is DELRIN (White)

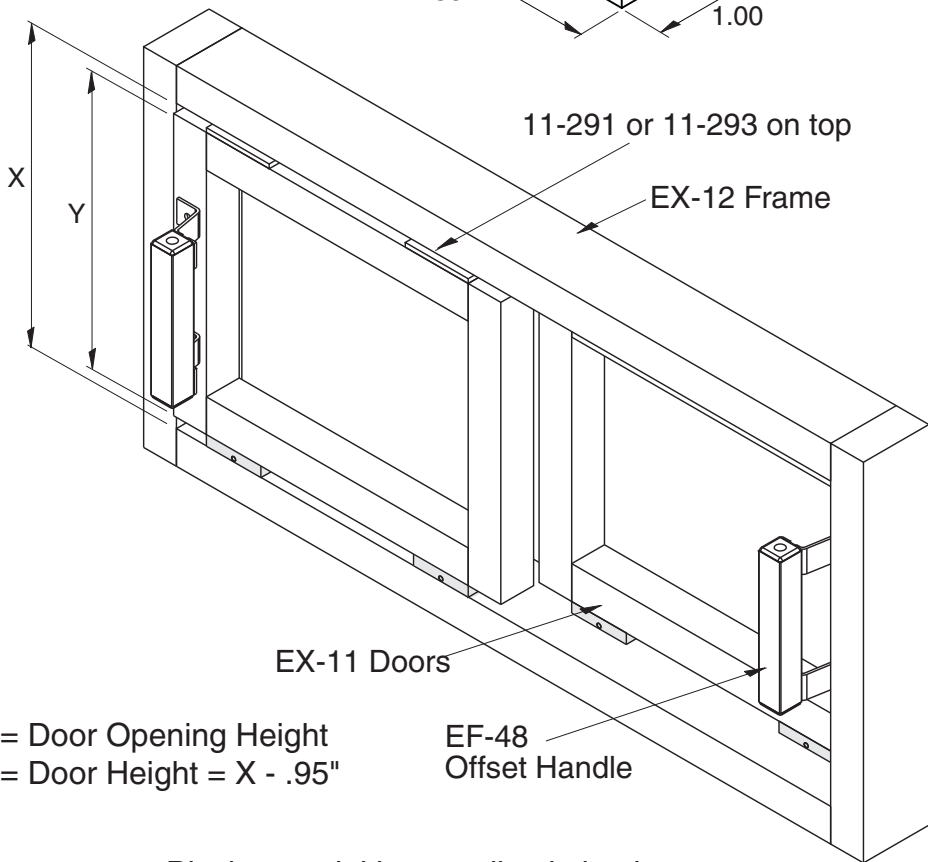
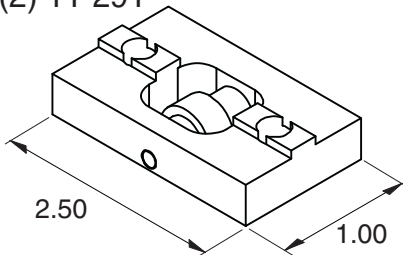
1/4" SLOTS

Door Roller Block - 1/4" Slot (lift out)

1/16" offset	11-288
on center	11-289

Door Clearance Between Sliders

- = .13" using (4) 11-288 and (4) 11-293
- = .06" using (2) 11-288 with (2) 11-293
and (2) 11-289 with (2) 11-291



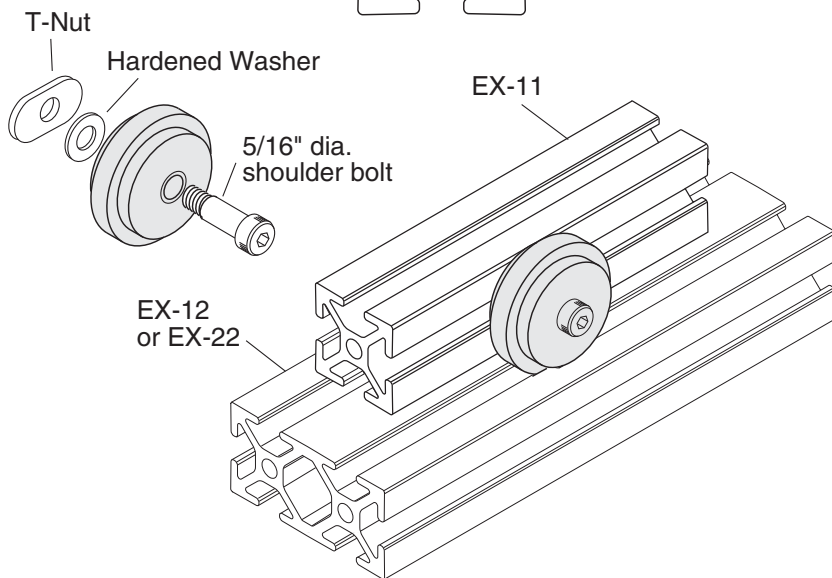
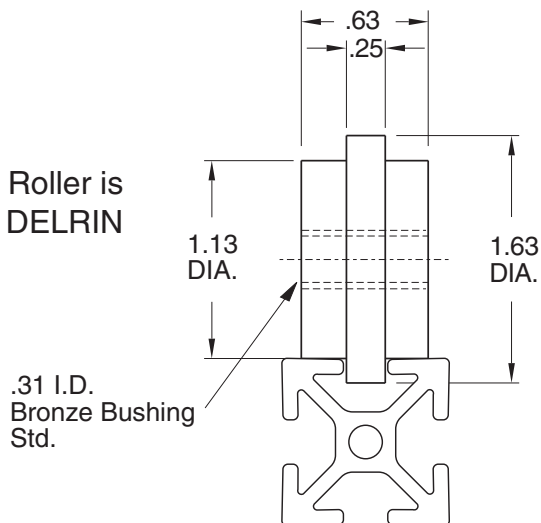
1/4" SLOTS

X = Door Opening Height
Y = Door Height = X - .95"

Block material is anodized aluminum
Roller is DELRIN

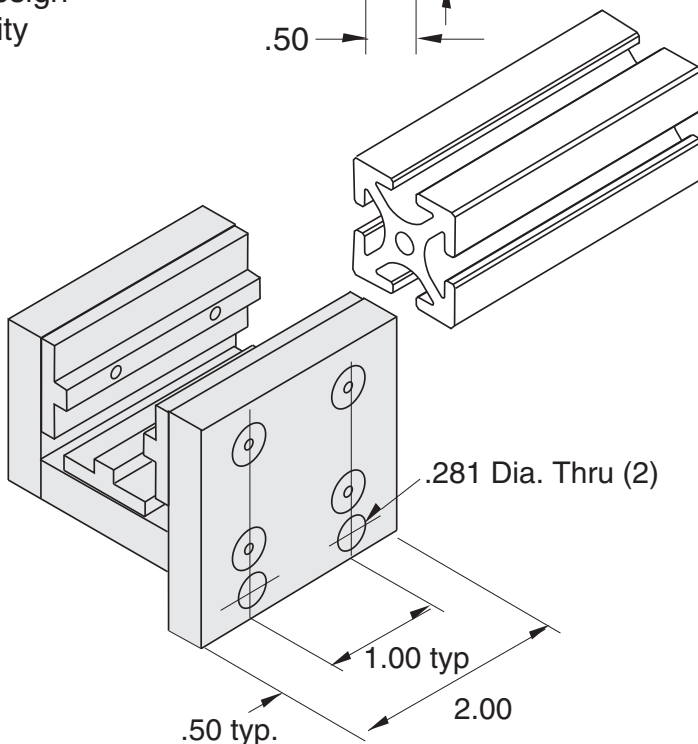
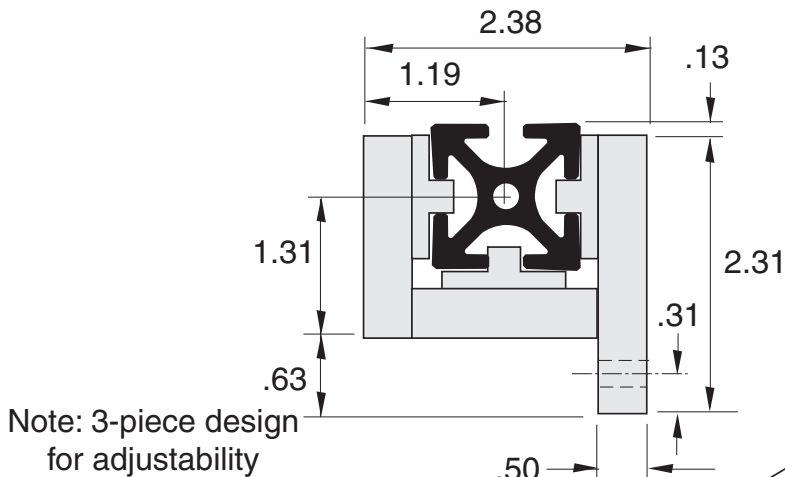
Hardware Included

11-266



1/4" SLOTS

Hardware Included



Recommended Hardware
 (2) 11-233 BHCS
 (2) 11-205 T-nut

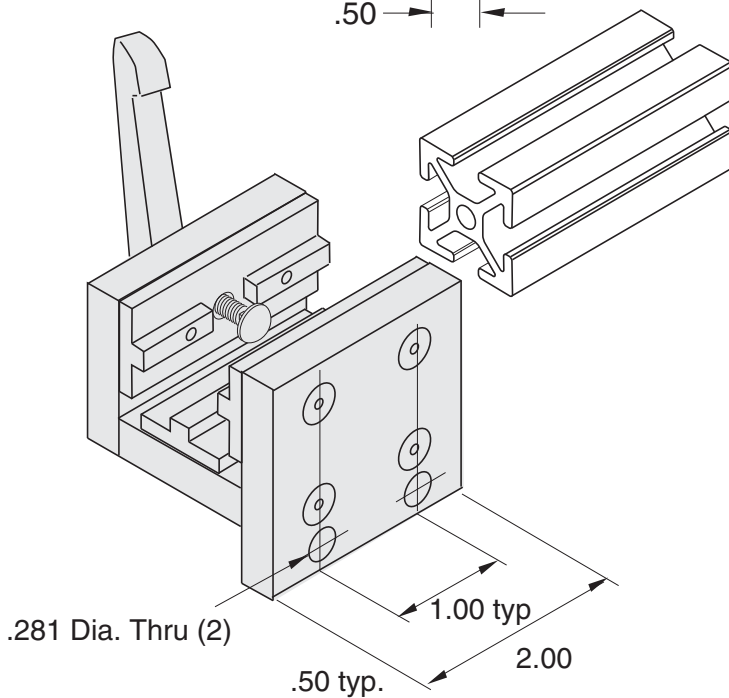
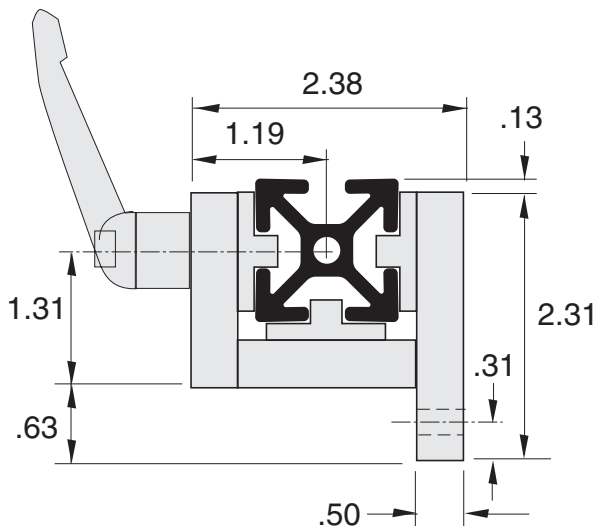
Bearing Material - DELRIN
 Plate Material - Aluminum
 Finish - Clear Anodize

1/4" SLOTS

Single Mount Linear Bearing with Locking Handle



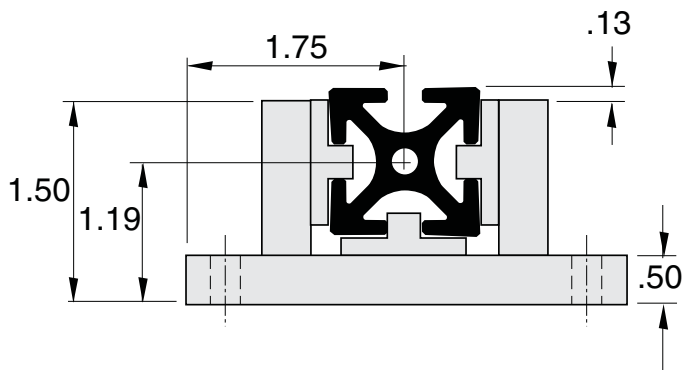
11-91LH



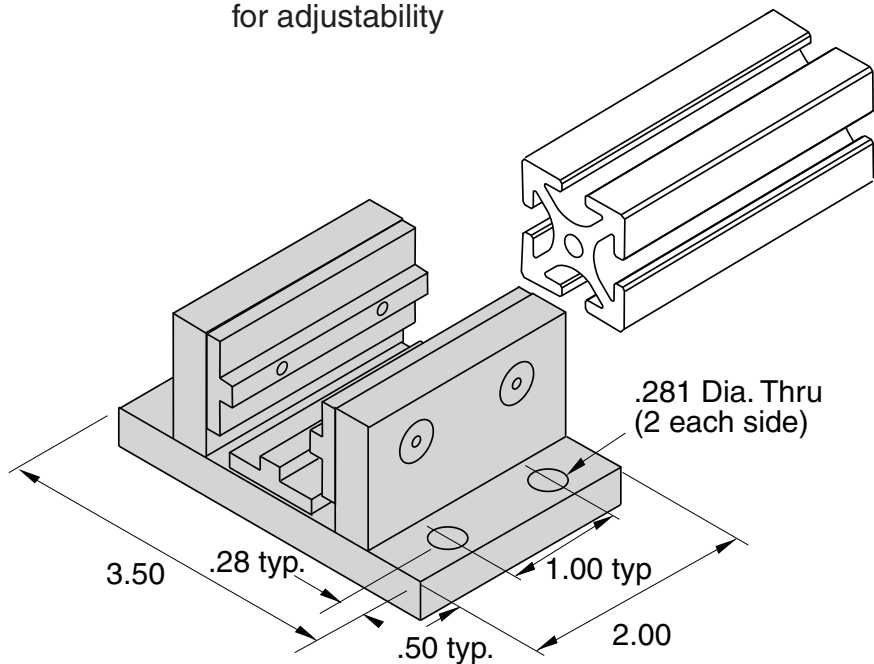
1/4" SLOTS

Recommended
Hardware
(2) 11-233 BHCS
(2) 11-205 T-nut

Bearing Material - DELRIN
Plate Material - Aluminum
Finish - Clear Anodize



Note: 3-piece design
for adjustability



1/4" SLOTS

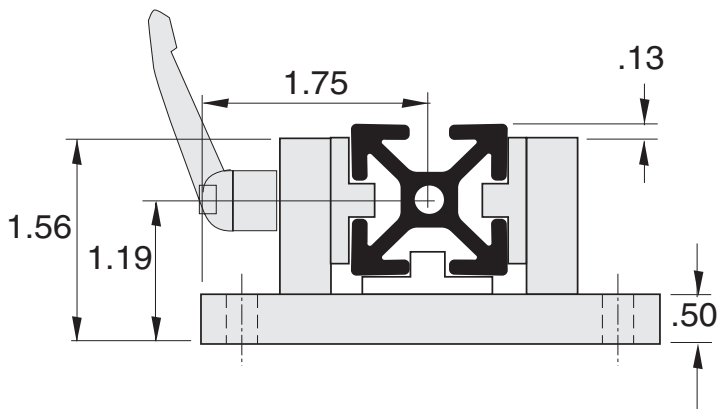
Recommended
Hardware
(4) 11-233 BHCS
(4) 11-205 T-nut

Bearing Material - DELRIN
Plate Material - Aluminum
Finish - Clear Anodize

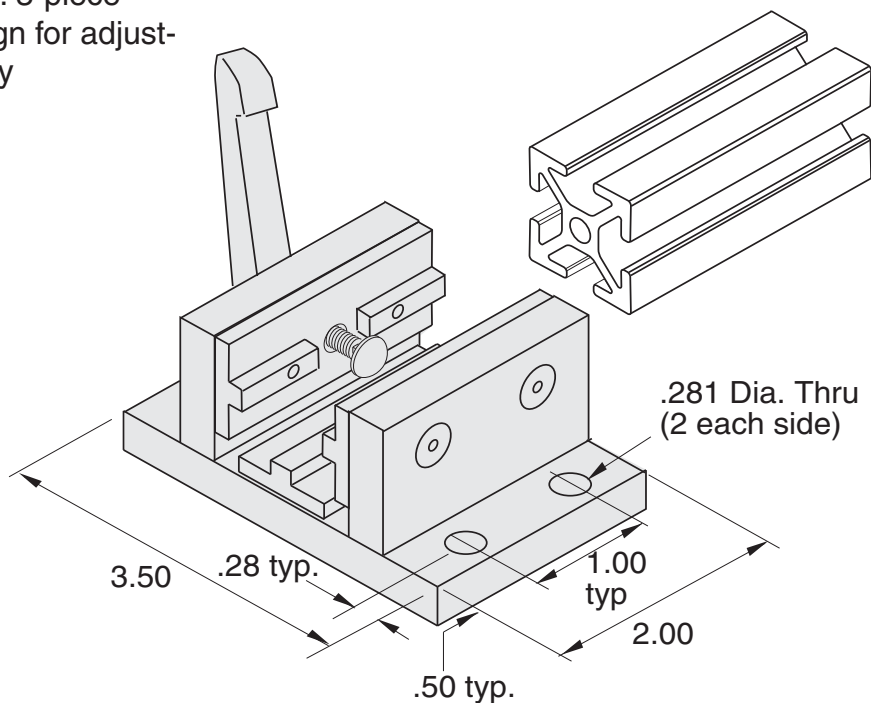
Single Mount Linear Bearing with Locking Handle



11-93LH



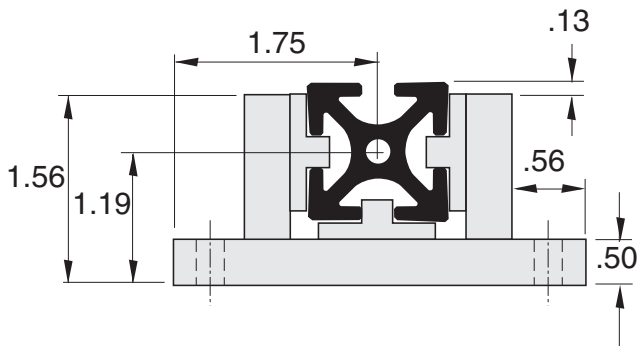
Note: 3-piece
design for adjust-
ability



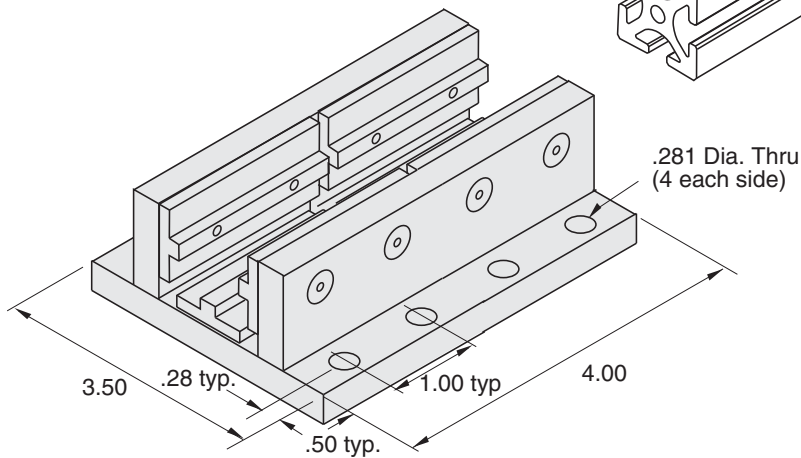
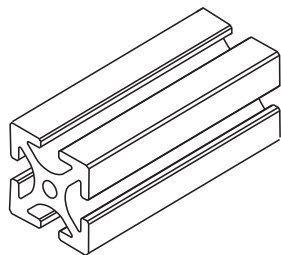
1/4" SLOTS

Recommended
Hardware
(4) 11-233 BHCS
(4) 11-205 T-nut

Bearing Material - DELRIN
Plate Material - Aluminum
Finish - Clear Anodize



Note: 3-piece design
for adjustability



1/4" SLOTS

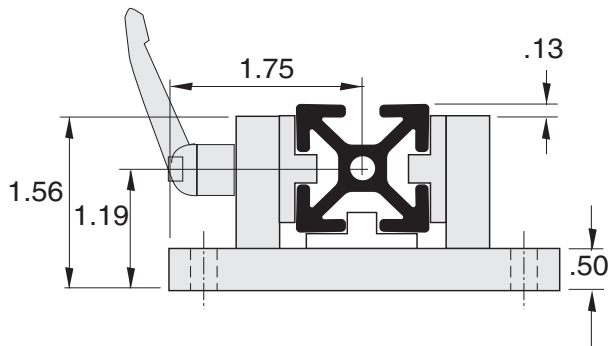
Recommended
Hardware
(8) 11-233 BHCS
(8) 11-205 T-nut

Bearing Material - DELRIN
Plate Material - Aluminum
Finish - Clear Anodize

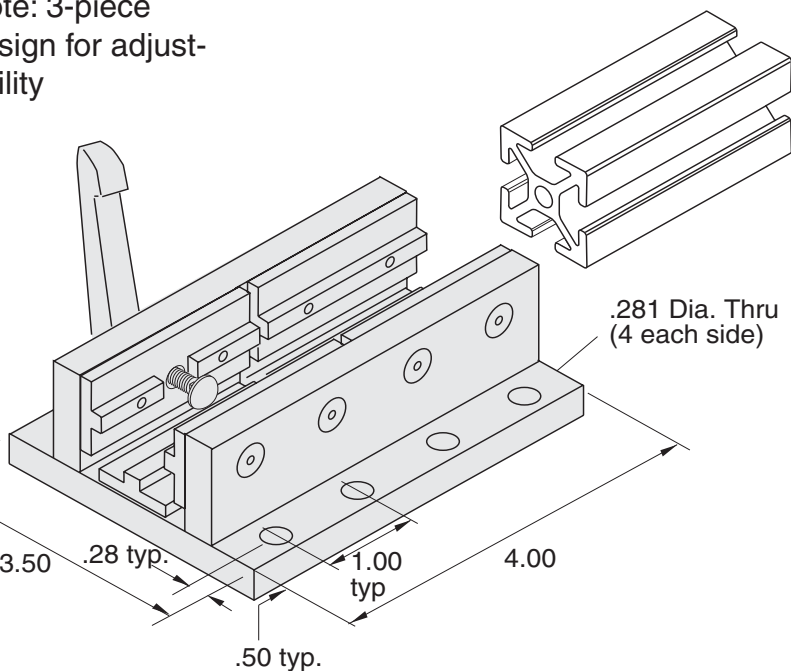
Double Mount Linear Bearing with Locking Handle



11-92LH



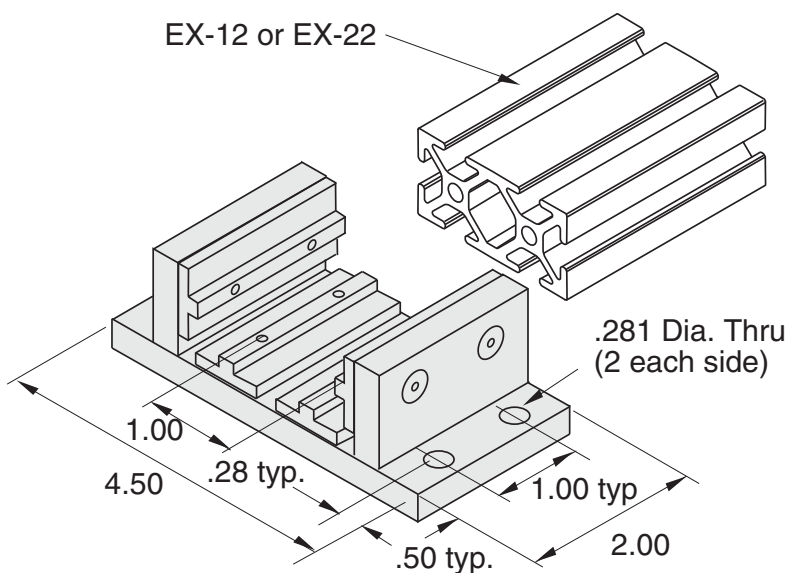
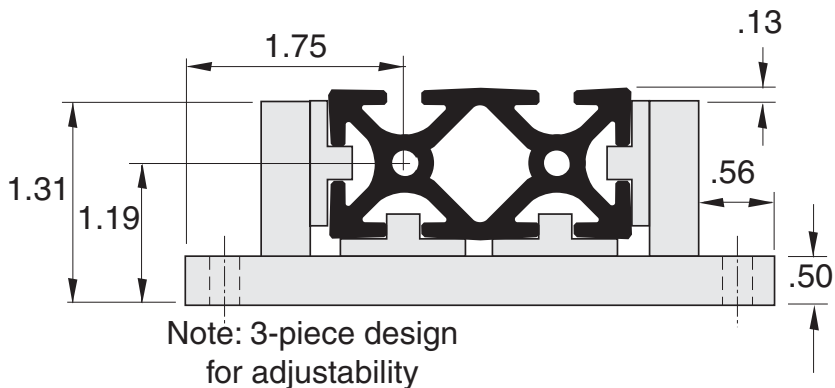
Note: 3-piece design for adjustability



1/4" SLOTS

Recommended Hardware
 (8) 11-233 BHCS
 (8) 11-205 T-nut

Bearing Material - DELRIN
 Plate Material - Aluminum
 Finish - Clear Anodize



Recommended
Hardware
(4) 11-233 BHCS
(4) 11-205 T-nut

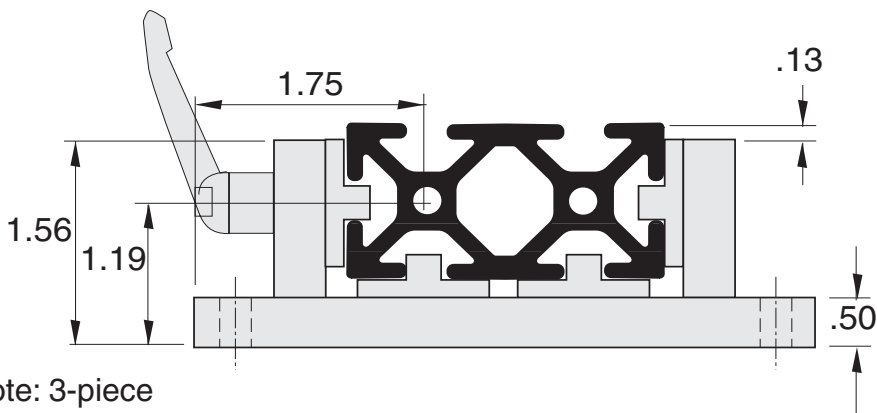
Bearing Material - DELRIN
Plate Material - Aluminum
Finish - Clear Anodize

1/4" SLOTS

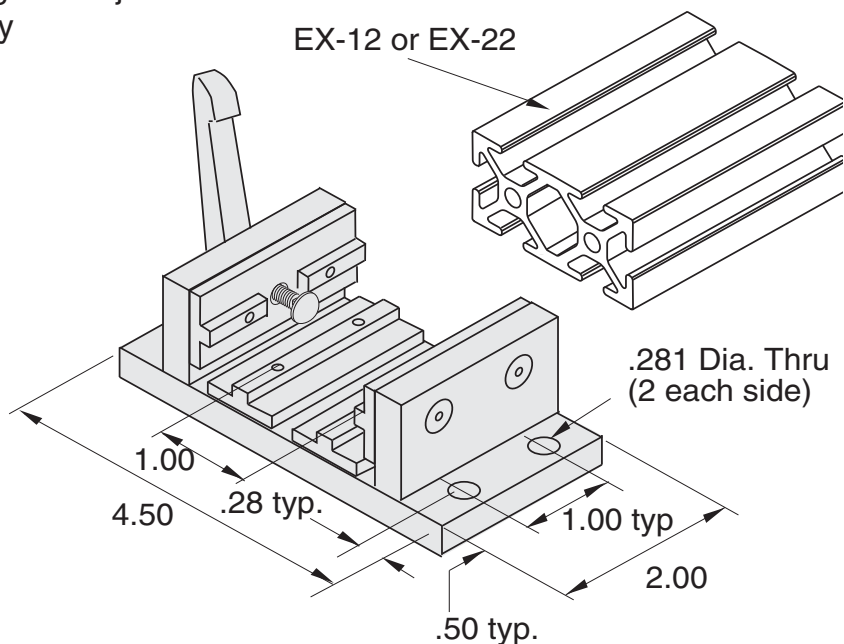
Single Mount Linear Bearing with Locking Handle



11-94LH



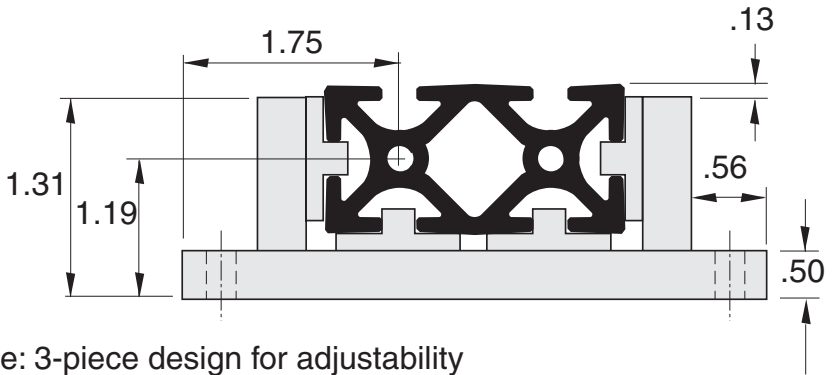
Note: 3-piece design for adjustability



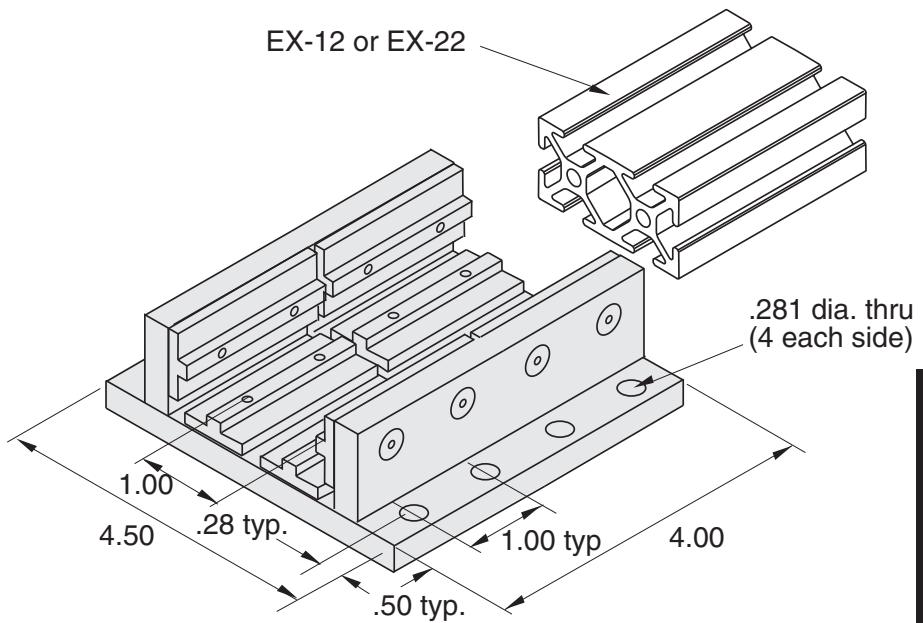
1/4" SLOTS

Recommended Hardware
(4) 11-233 BHCS
(4) 11-205 T-nut

Bearing Material - DELRIN
Plate Material - Aluminum
Finish - Clear Anodize



Note: 3-piece design for adjustability



1/4" SLOTS

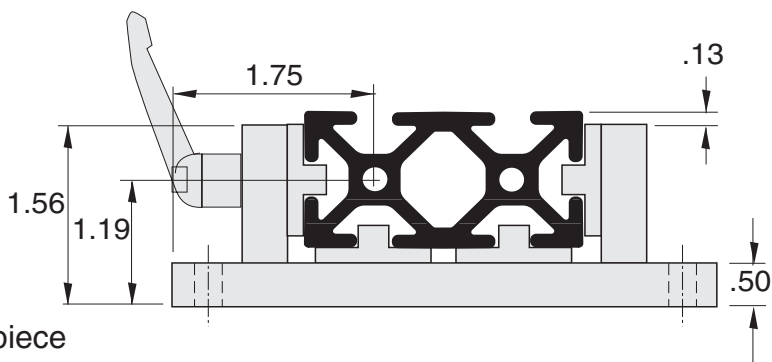
Recommended
Hardware
(8) 11-233 BHCS
(8) 11-205 T-nut

Bearing Material - DELRIN
Plate Material - Aluminum
Finish - Clear Anodize

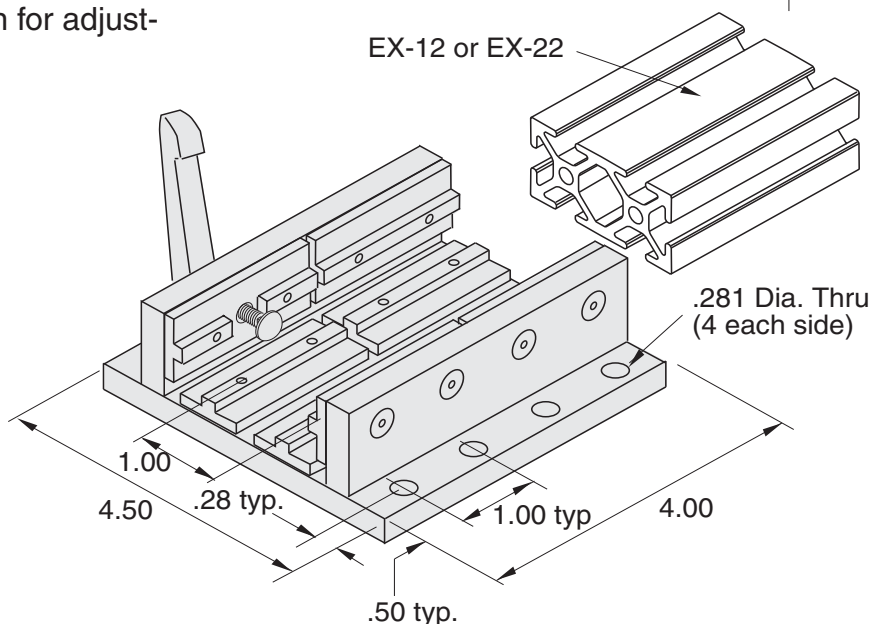
Double Mount Linear Bearing with Locking Handle



11-95LH



Note: 3-piece design for adjustability

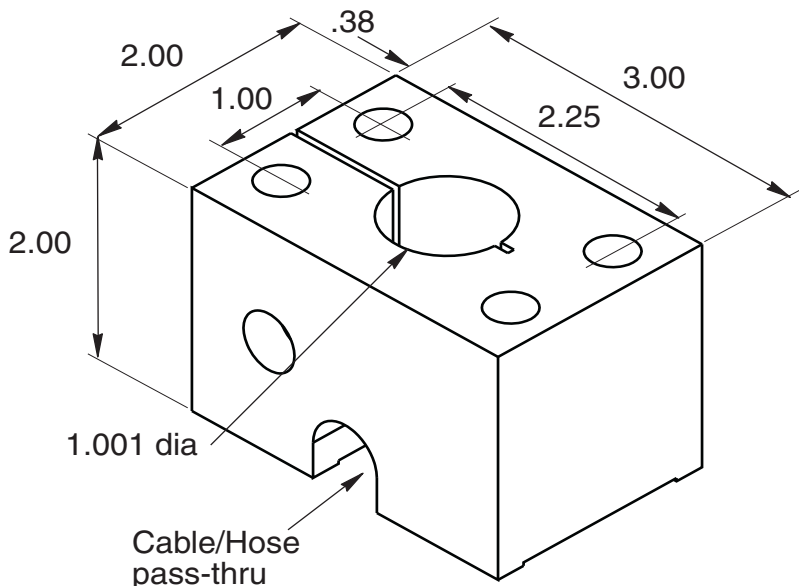


1/4" SLOTS

Recommended Hardware
 (8) 11-233 BHCS
 (8) 11-205 T-nut

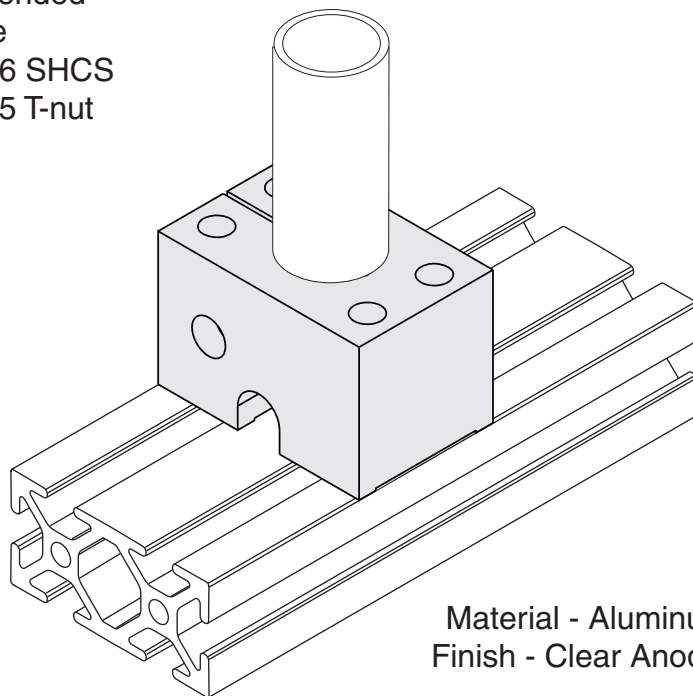
Bearing Material - DELRIN
 Plate Material - Aluminum
 Finish - Clear Anodize

with locking handle	11-500
with locking 5/16 SHCS	11-501



For shafts, see page 496

Recommended
Hardware
(4) 11-226 SHCS
(4) 11-205 T-nut



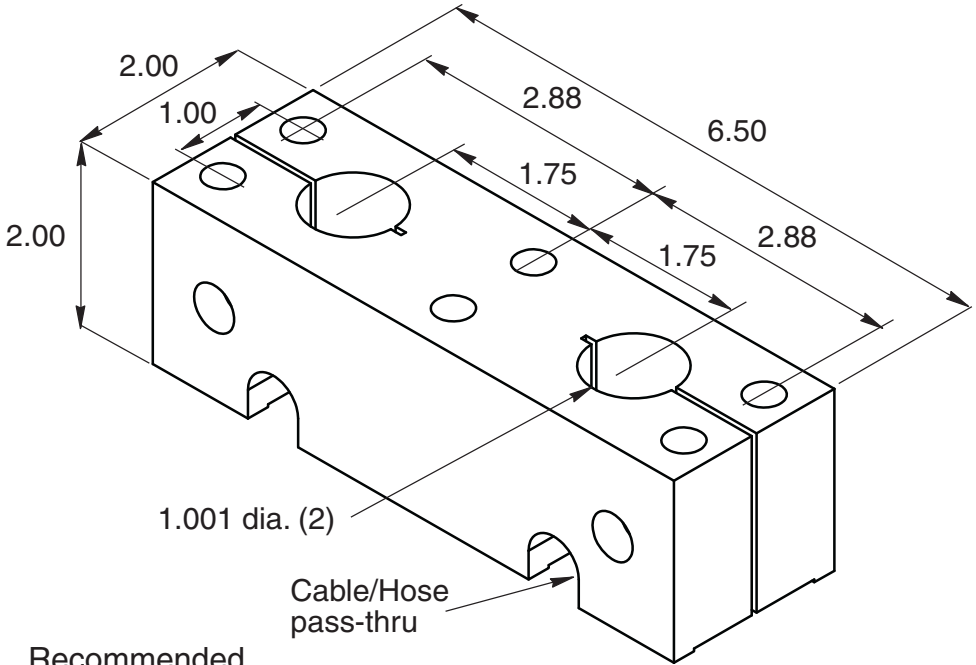
Material - Aluminum
Finish - Clear Anodize

1/4" SLOTS

Double Shaft Base

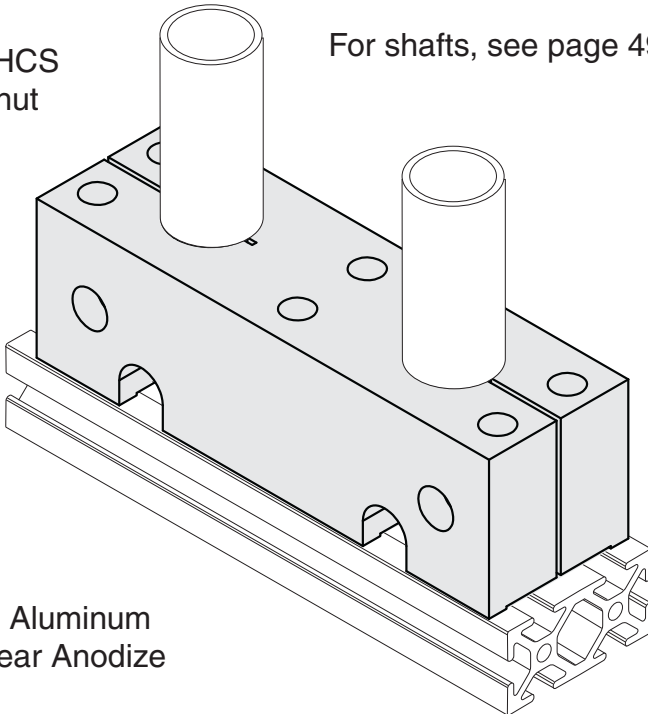


11-502	with locking handle
11-503	with locking 5/16 SHCS



Recommended
Hardware
(6) 11-226 SHCS
(6) 11-205 T-nut

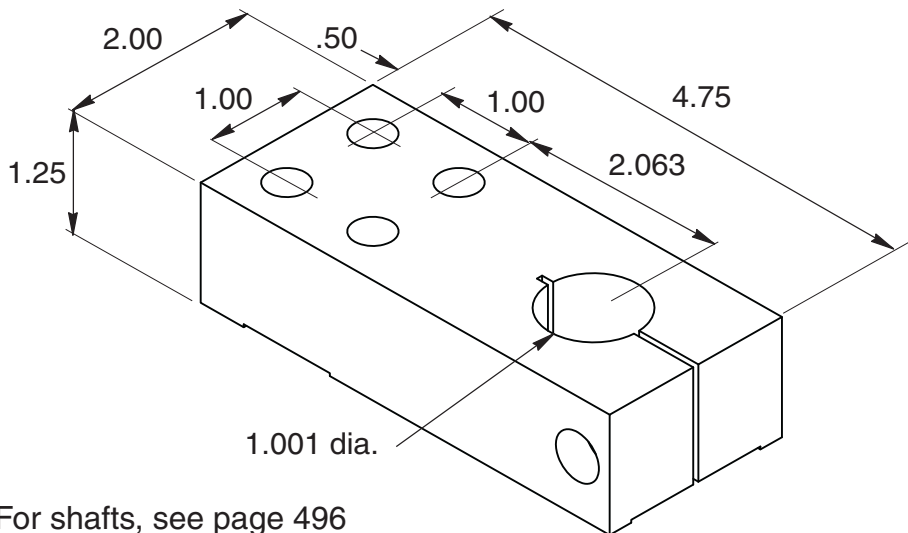
For shafts, see page 496



Material - Aluminum
Finish - Clear Anodize

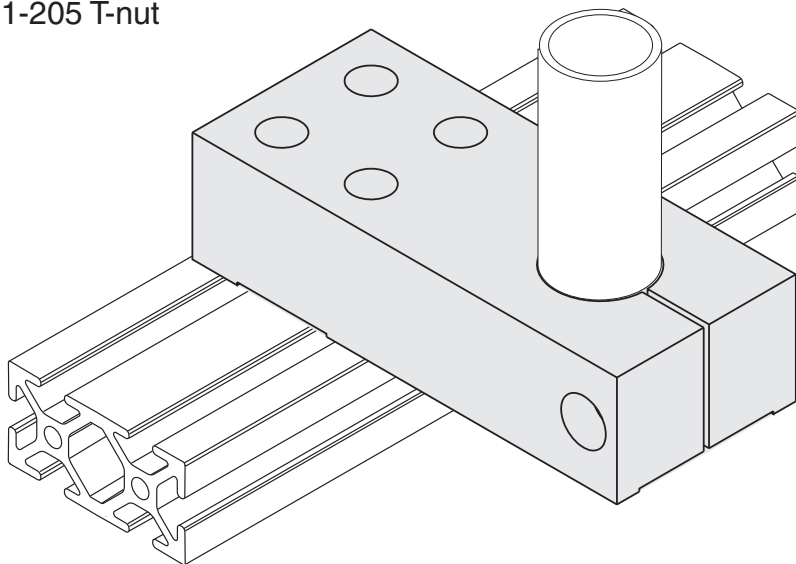
1/4" SLOTS

with locking handle	11-504
with locking 5/16 SHCS	11-505



For shafts, see page 496

- Recommended
Hardware
- (4) 11-223 SHCS
 - (4) 11-205 T-nut



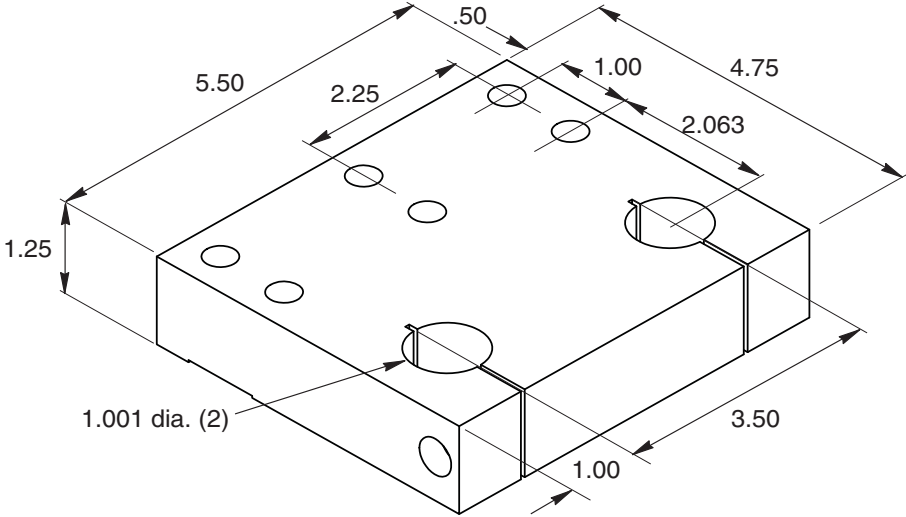
Material - Aluminum
Finish - Clear Anodize

1/4" SLOTS

Double Shaft Mounting Base

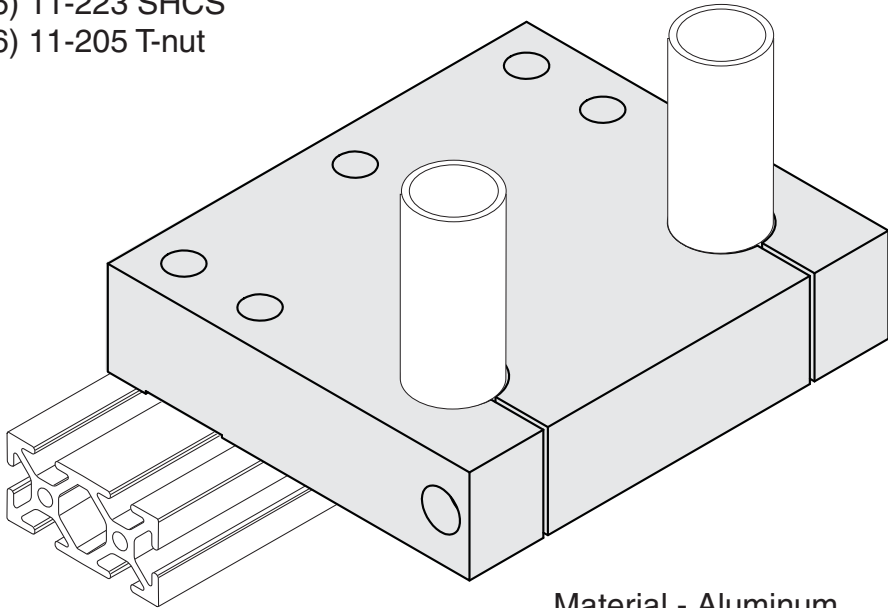


11-506	with locking handle
11-507	with locking 5/16 SHCS



For shafts, see page 496

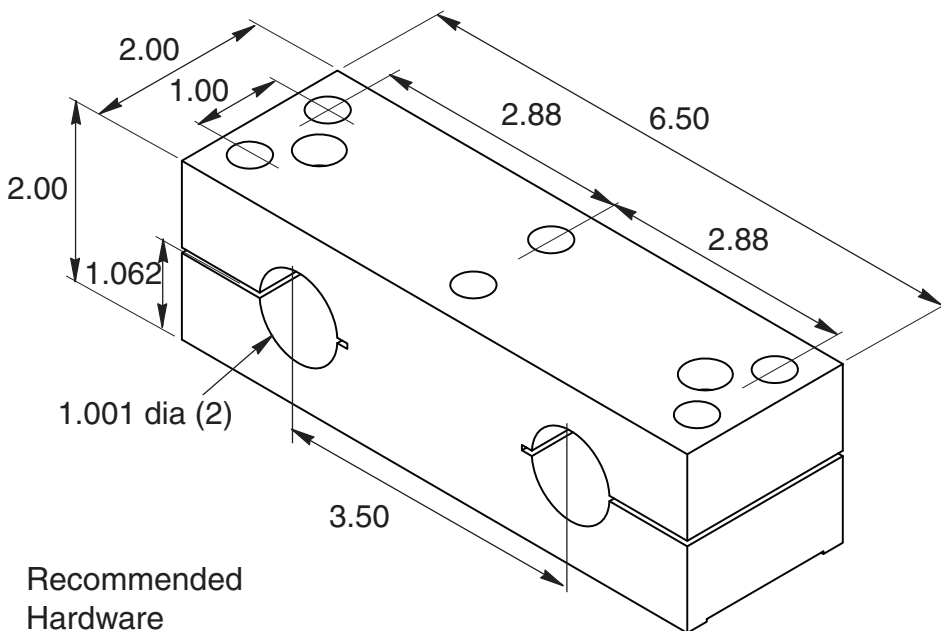
- Recommended
Hardware
- (6) 11-223 SHCS
 - (6) 11-205 T-nut



1/4" SLOTS

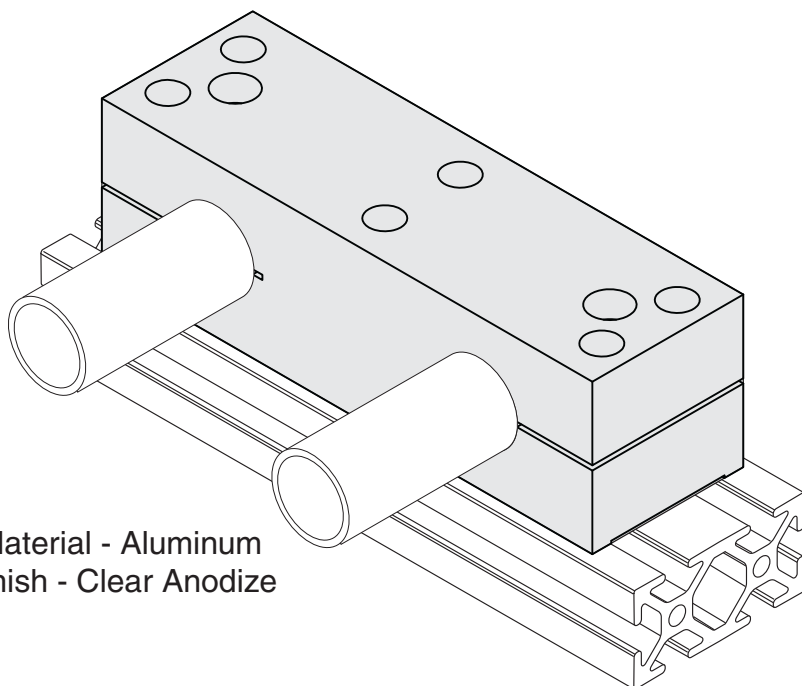
Material - Aluminum
Finish - Clear Anodize

with locking handle	11-508
with locking 5/16 SHCS	11-509



Recommended
Hardware
(4) 11-224 SHCS
(4) 11-205 T-nut

For shafts, see page 496



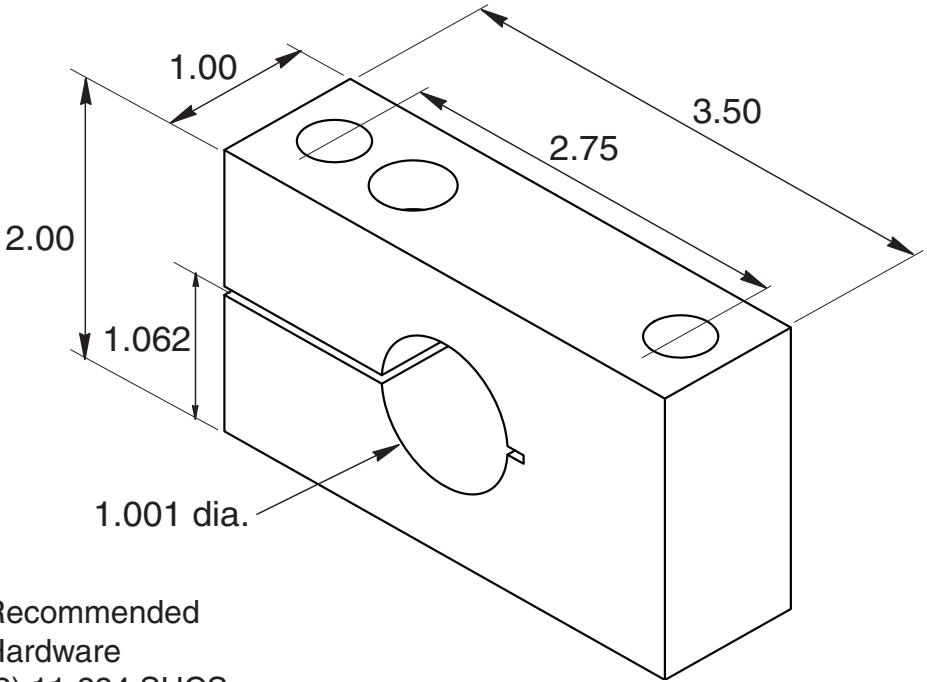
Material - Aluminum
Finish - Clear Anodize

1/4" SLOTS

Single Shaft Mounting Block

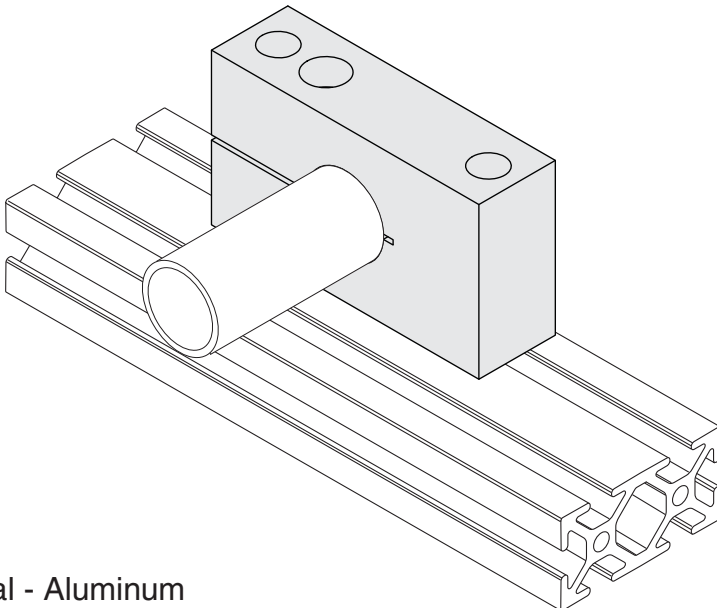


11-510	with locking handle
11-511	with locking 5/16 SHCS



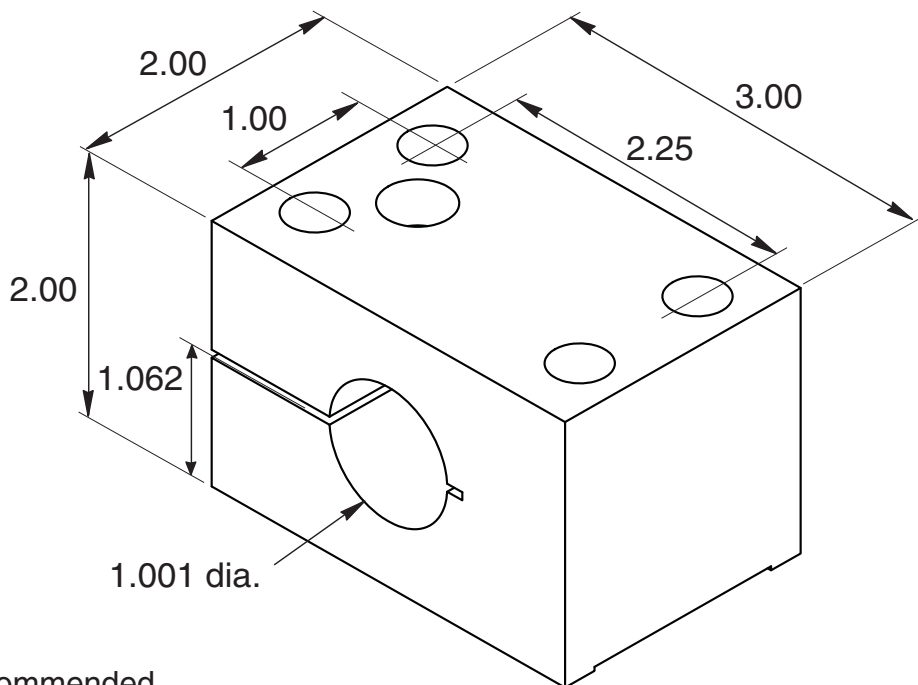
Recommended
Hardware
(2) 11-224 SHCS
(2) 11-205 T-nut

For shafts, see page 496



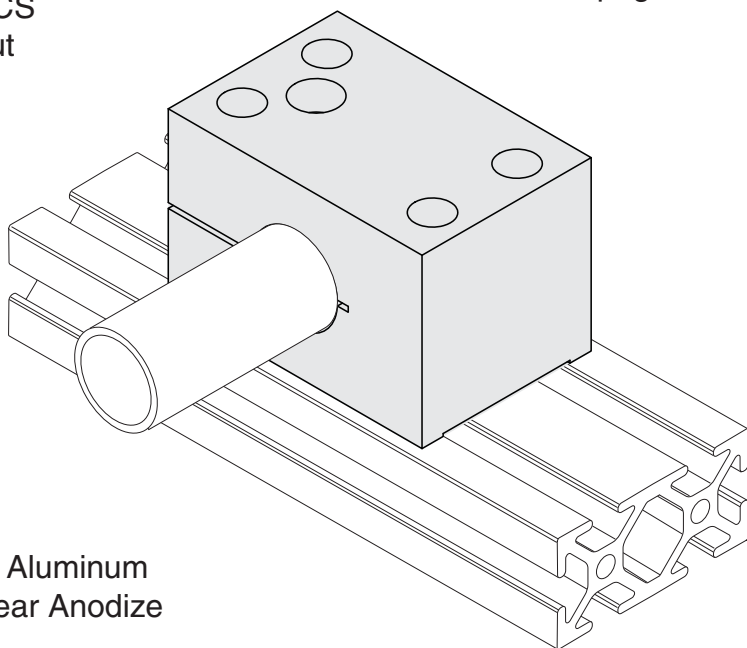
Material - Aluminum
Finish - Clear Anodize

with locking handle	11-512
with locking 5/16 SHCS	11-513



Recommended
Hardware
(4) 11-226 SHCS
(4) 11-205 T-nut

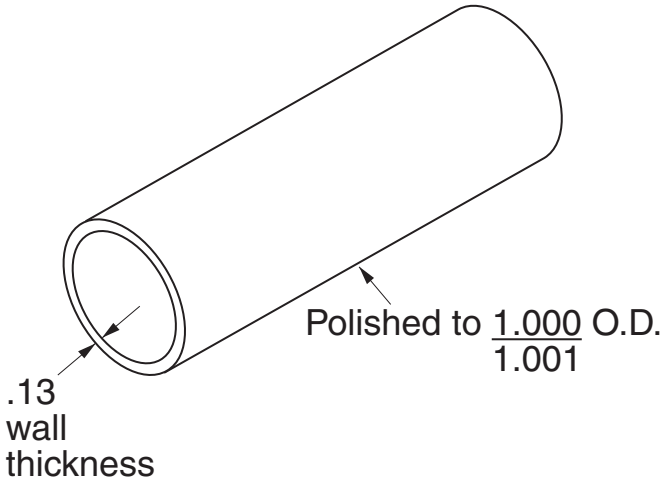
For shafts, see page 496



1/4" SLOTS

Material - Aluminum
Finish - Clear Anodize

EB-218

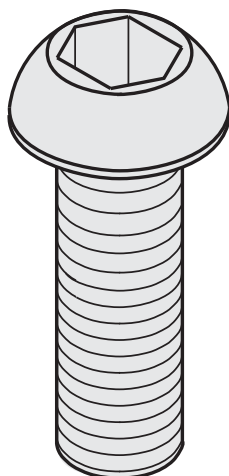


EB-218 Anodized Aluminum
Stock Length = 71"

EB-219 Polished Steel
Stock Length = 71"

1/4" SLOTS

Note: For any length other than stock length for all of the above, add EM-1 cutting charge



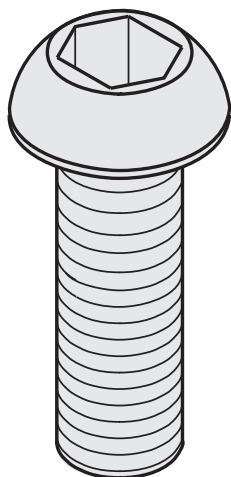
11-230
11-231
11-232
11-233
11-234
11-235

Part No.	
11-230	1/4"-20 thd x 3/8" long
11-231	1/4"-20 thd x 1/2" long
11-232	1/4"-20 thd x 5/8" long
11-233	1/4"-20 thd x 3/4" long
11-234	1/4"-20 thd x 1.0" long
11-235	1/4"-20 thd x 1.25" long

Finish - Black Oxide

**Stainless Steel
Button Head Cap Screw**

11-456



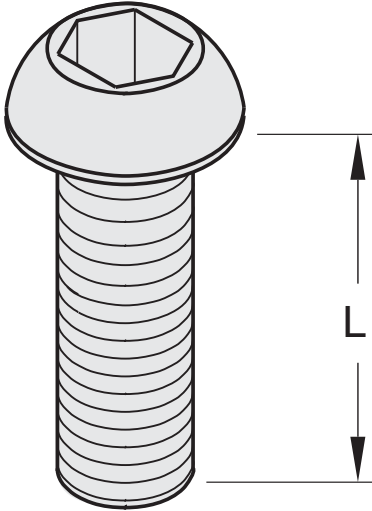
1/4-20 thd
L- inch
11-456 -.38
11-456 -.50
11-456 -.63
11-456 -.75

1/4" SLOTS

Metric Button Head Cap Screw



11-454



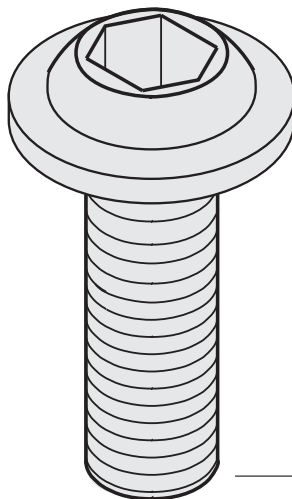
	length
11-454-10	10mm
11-454-12	12mm
11-454-16	16mm
11-454-20	20mm
11-454-25	25mm

m6 thd

Material - Steel
Finish - Black Oxide

11-350
11-351
11-352

Flanged Button Head Cap Screw

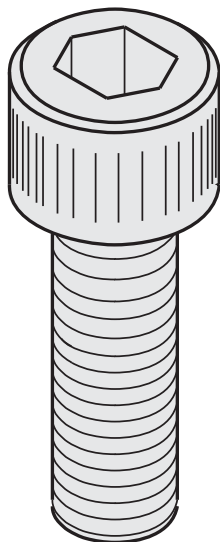


Part No.	
11-350	$\frac{1}{4}$ -20 thd x $\frac{3}{8}$ " long
11-351	$\frac{1}{4}$ -20 thd x $\frac{1}{2}$ " long
11-352	$\frac{1}{4}$ -20 thd x $\frac{3}{4}$ " long

1/4" SLOTS

Finish - Black Oxide

11-220
11-221
11-222
11-223
11-224
11-225
11-226



Part No.	
11-220	$\frac{1}{4}$ -20 thd x $\frac{3}{8}$ " long
11-221	$\frac{1}{4}$ -20 thd x $\frac{1}{2}$ " long
11-222	$\frac{1}{4}$ -20 thd x $\frac{5}{8}$ " long
11-223	$\frac{1}{4}$ -20 thd x $\frac{3}{4}$ " long
11-224	$\frac{1}{4}$ -20 thd x 1.0" long
11-225	$\frac{1}{4}$ -20 thd x 1.25" long
11-226	$\frac{1}{4}$ -20 thd x 1.50" long

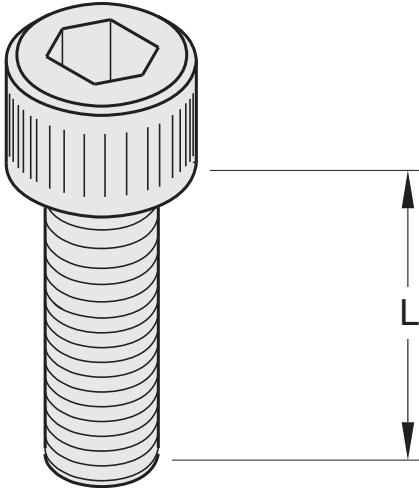
1/4" SLOTS

Finish - Black Oxide

Metric Socket Head Cap Screw



11-450



m6 thd

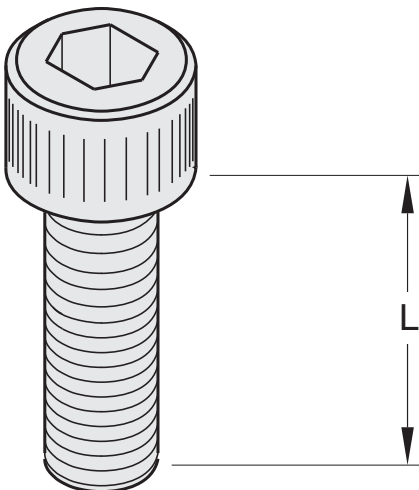
	length
11-450-10	10mm
11-450-12	12mm
11-450-16	16mm
11-450-20	20mm
11-450-25	25mm

Material - Steel
Finish - Black Oxide

Stainless Steel Socket Head Cap Screw

11-452

1/4" SLOTS



1/4-20 thd

	L-inch
11-452 -.5	
11-452 -.63	
11-452 -.75	
11-452 -1.0	

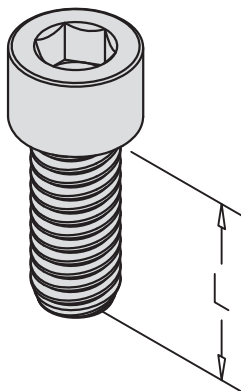
Socket Head **11-220K**

Fractional
(1/4 - 20 thd)

Part No	Thread Length
11-220K	.375
11-221K	.50
11-222K	.63
11-223K	.75
11-224K	1.00

Metric
(M6 x 1.0 thd)

Part No	Thread Length
11-450K-10	10
11-450K-12	12
11-450K-16	16
11-450K-20	20
11-450K-25	25



Material - Steel
Finish - Bright Zinc Plated

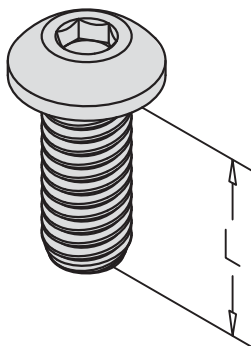
Button Head **11-230K**

Fractional
(1/4 - 20 thd)

Part No	Thread Length
11-230K	.375
11-231K	.50
11-232K	.63
11-233K	.75
11-234K	1.00

Metric
(M6 x 1.0 thd)

Part No	Thread Length
11-454K-10	10
11-454K-12	12
11-454K-16	16
11-454K-20	20
11-454K-25	25



Material - Steel
Finish - Bright Zinc Plated

1/4" SLOTS

Zinc Plated Hex Cap Screw

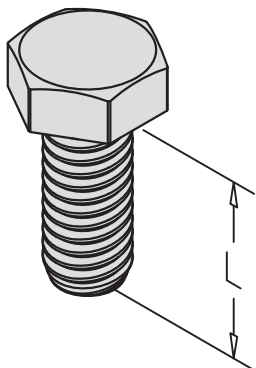


11-458

Fractional
(1/4" - 18 thd) L = inch

11-458-38
11-458-50
11-458-63
11-458-75
11-458-1.00
11-458-1.25

Material - Steel
Finish - Bright Zinc Plated



Metric
(M6 x 1.25 thd) L = mm

11-458M-12
11-458M-16
11-458M-20
11-458M-25
11-458M-30

Material - Steel
Finish - Yellow Zinc Plated

Flat Head Socket Cap Screws

EF-157

1/4-20 thd.

EF-158

#10-32 thd.

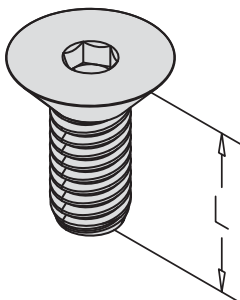
Steel

(1/4" - 20 thd) L = inch

EF-157-.50
EF-157-.63
EF-157-.75
EF-157-1.0

(#10-32 thd) L = inch

EF-158-.50
EF-158-.63



Stainless Steel

(1/4" - 20 thd) L = inch

EF-157SS-.50
EF-157SS-.63

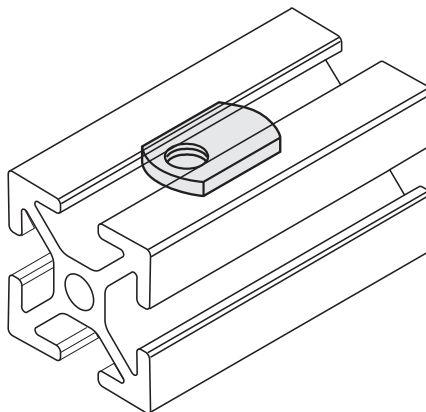
(#10-32 thd) L = inch

EF-158SS-.50
EF-158SS-.63

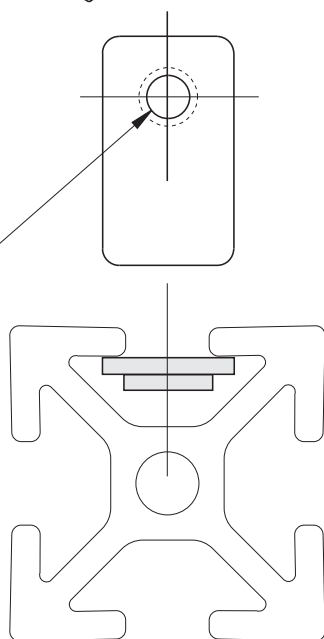
Material - Steel
Finish - Black Oxide

Material - Stainless Steel

11-210
11-211
11-212
11-213
11-214
11-239



- Part No.
11-210 1/4-20 thd
11-211 10-32 thd
11-212 m6 thd
11-213 8-32 thd
11-214 6-32 thd
11-239 m5 thd



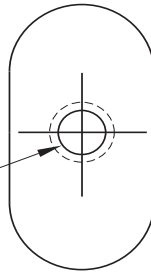
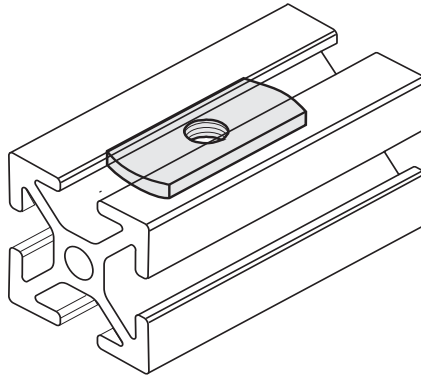
1/4" SLOTS

Material - Steel
Finish - Zinc Plated

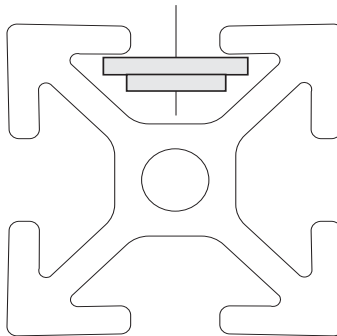
Economy T-Nut (Centered Thread)



11-215
11-216
11-217
11-219
11-215SS



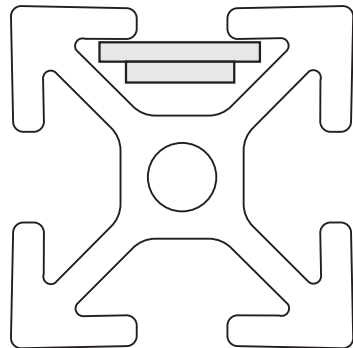
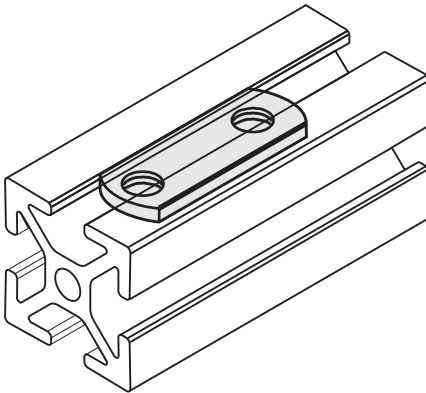
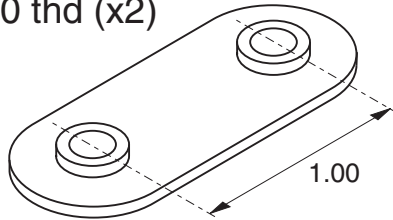
- Part No.
11-215 1/4-20 thd
11-216 10-32 thd
11-217 8-32 thd
11-219 6-32 thd
11-215SS 1/4-20 thd
 Stainless
 Steel T-nut



1/4" SLOTS

Material - Steel
 Finish - Zinc Plated

1/4-20 thd (x2)



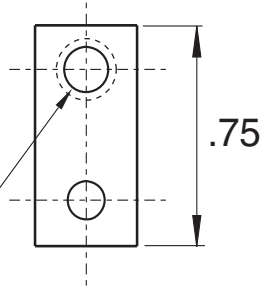
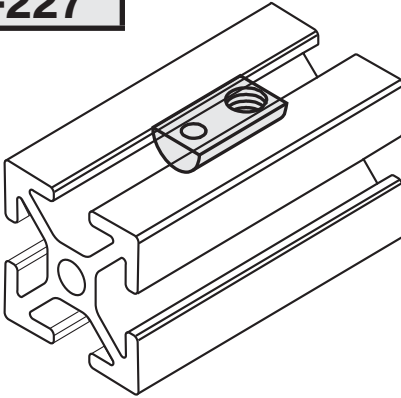
1/4" SLOTS

Material - Steel
Finish - Zinc Plated

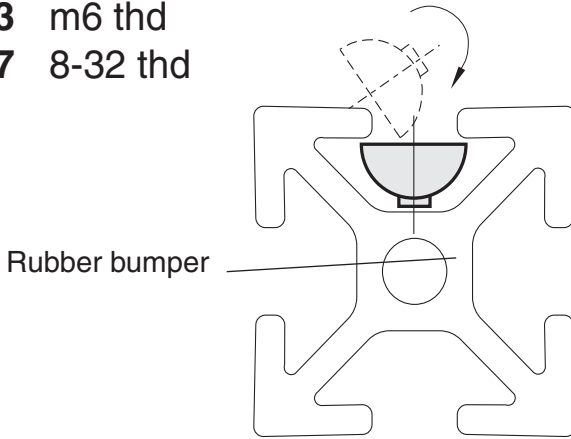
Pivot T-Nut with Rubber Bumper



11-201
11-202
11-203
11-227



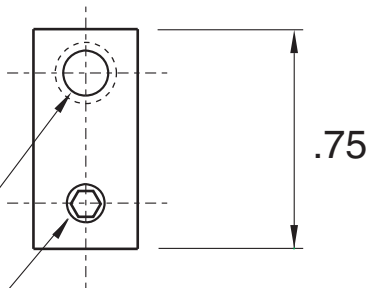
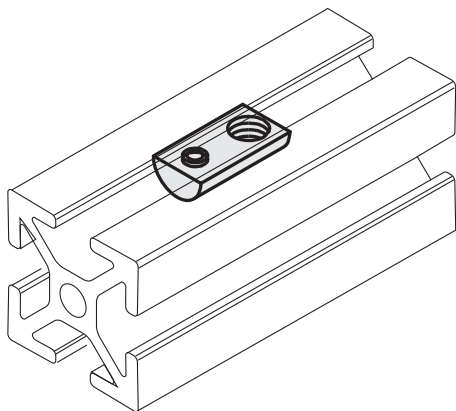
- Part No.
11-201 1/4-20 thd
11-202 10-32 thd
11-203 m6 thd
11-227 8-32 thd



Material - Steel
Finish - Zinc Plated

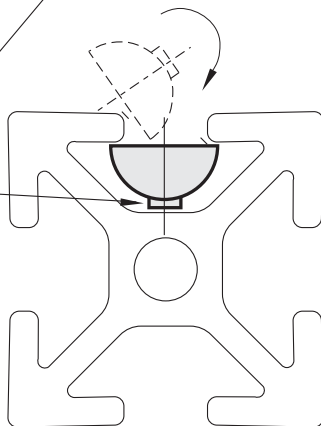
1/4" SLOTS

11-340
11-341
11-342



- 11-340** 1/4-20 thd
- 11-341** 10-32 thd
- 11-342** m6 thd

10-32 setscrew included



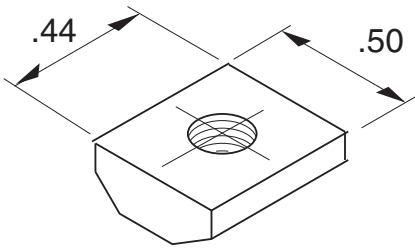
1/4" SLOTS

Material - Steel
Finish - Zinc Plated

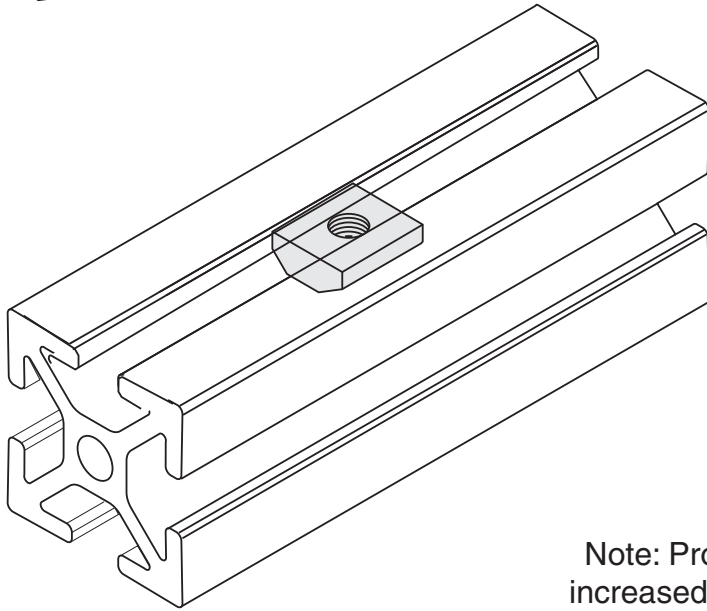
Heavy Duty T-Nut



11-205
11-206
11-207
11-208
11-209



- 11-205** 1/4-20 thd
- 11-206** 10-32 thd
- 11-207** m6 thd
- 11-208** 8-32 thd
- 11-209** 6-32 thd



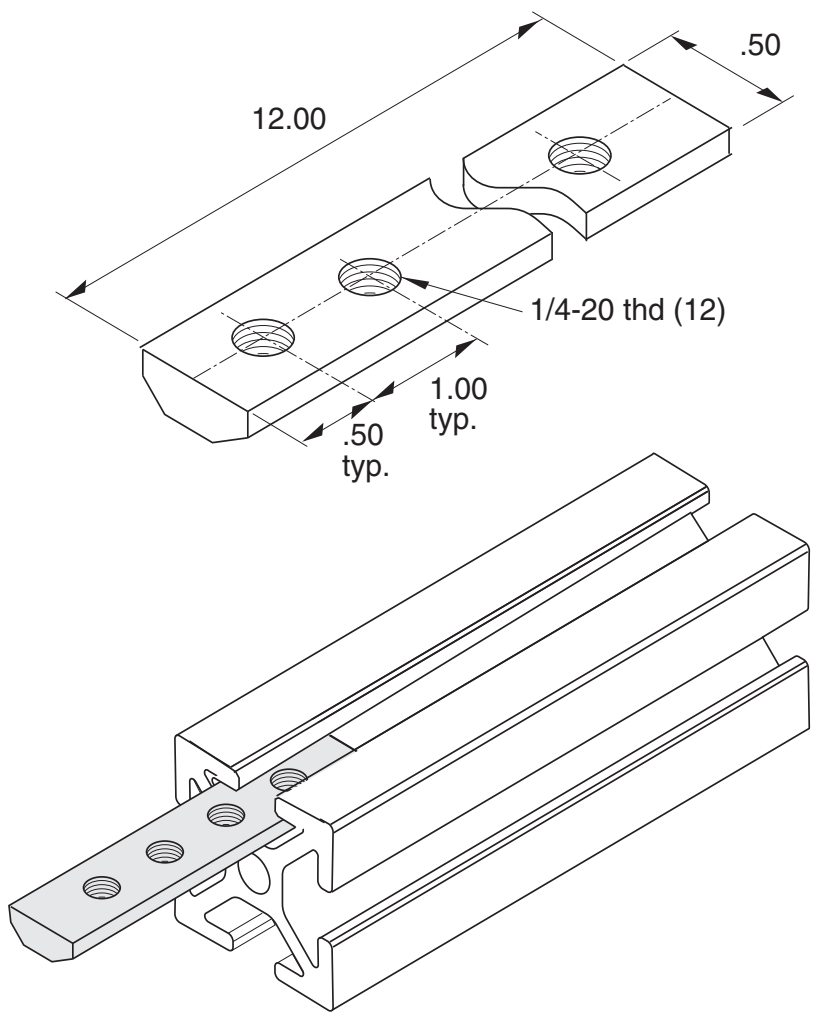
Note: Provides increased thread engagement

Material - Steel
Finish - Zinc Plated

1/4" SLOTS

.26 slot width

11-218



Special Lengths can be provided on request
Material is zinc plated steel

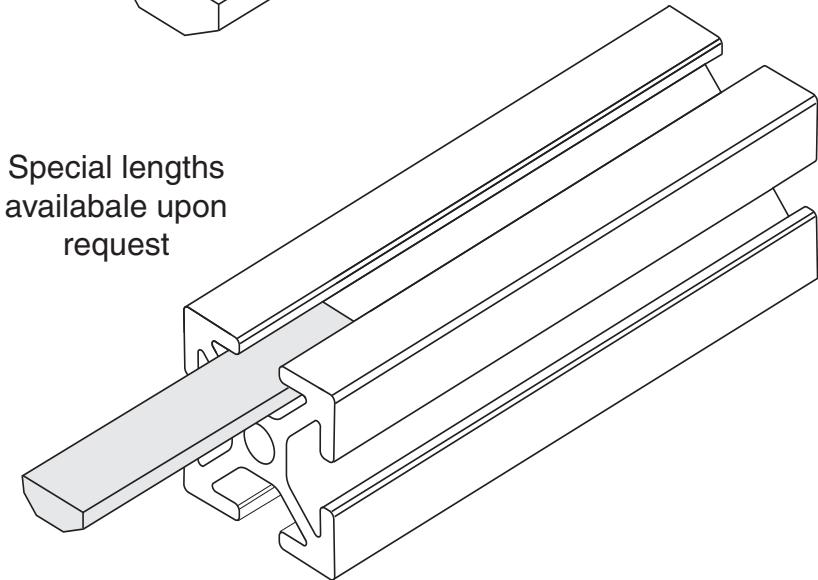
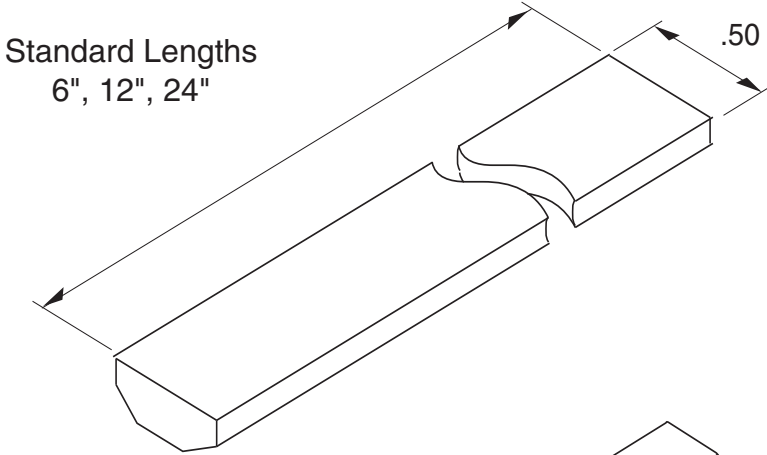
Material - Steel
Finish - Zinc Plated

1/4" SLOTS

Blank Continuous T-nut



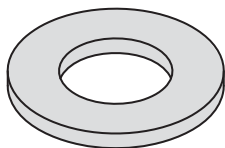
11-218B .25 inch slot size



Note: Factory supplied tapped
holes can be supplied per
customer specification

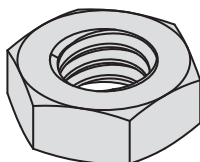
Material - Steel
Finish - Zinc Plated

1/4" SLOTS



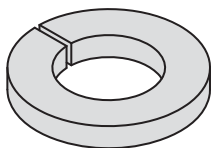
- 11-240** Washer Hardened Steel Heavy Duty (Black Oxide)
- 11-240SS** Washer (Stainless Steel)
- 11-240S** Washer (Zinc Plated)

Material - Steel
Finish - Black Oxide



- 11-241** 1/4-20 Hex Nut
- 11-241M** M6-1.0 Hex Nut

Material - Steel
Finish - Zinc Plated



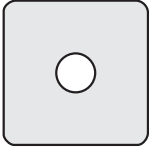
- 11-240L** Locking Washer

Material - Steel
Finish - Zinc Plated

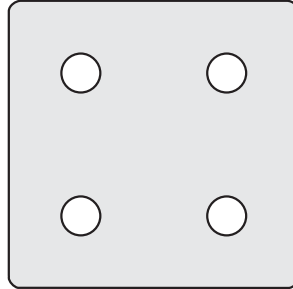
Plastic End Plates



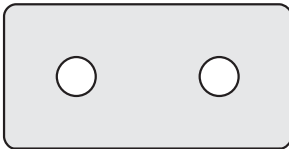
11-250
11-257
11-258
11-259
11-277



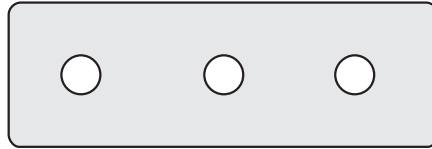
11-250
use with Extrusion EX-11



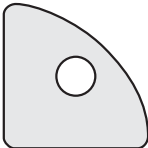
11-258
use with Extrusion EX-22



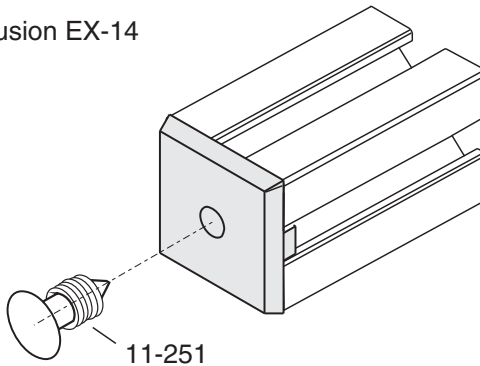
11-257
use with Extrusion EX-12



11-259
use with Extrusion EX-13



11-277
use with Extrusion EX-14

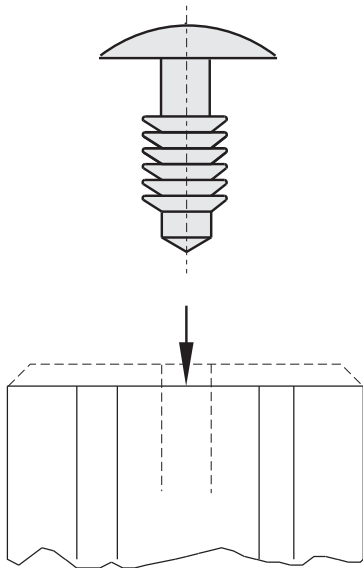


Note: For metal covers,
consult the factory

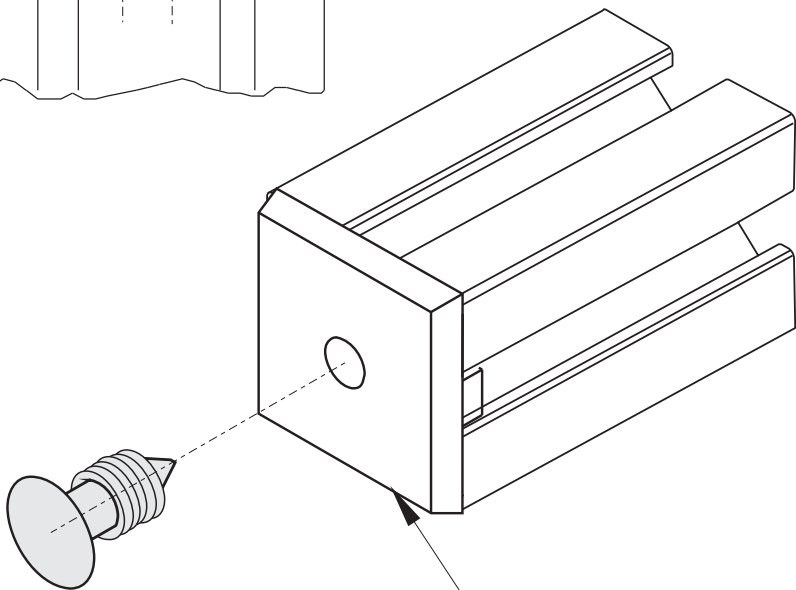
Push Lock Fasteners
Included with each end plate

Material - Black ABS

1/4" SLOTS



Note: thread bolt hole for permanent installation



To be used with Plastic End Caps

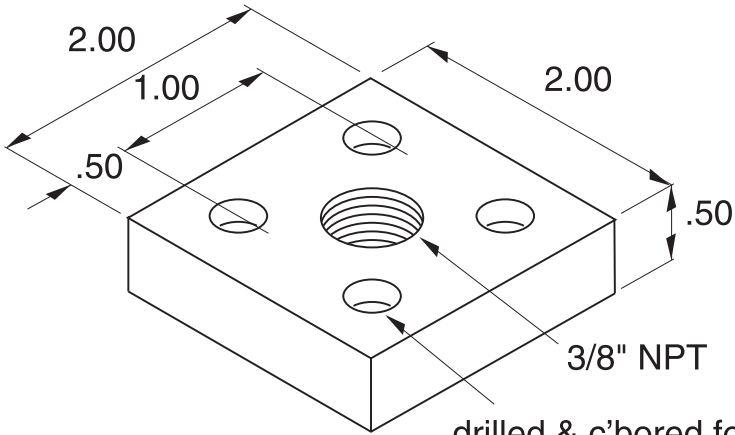
1/4" SLOTS

Material - Nylon

Pressure Manifold Plate



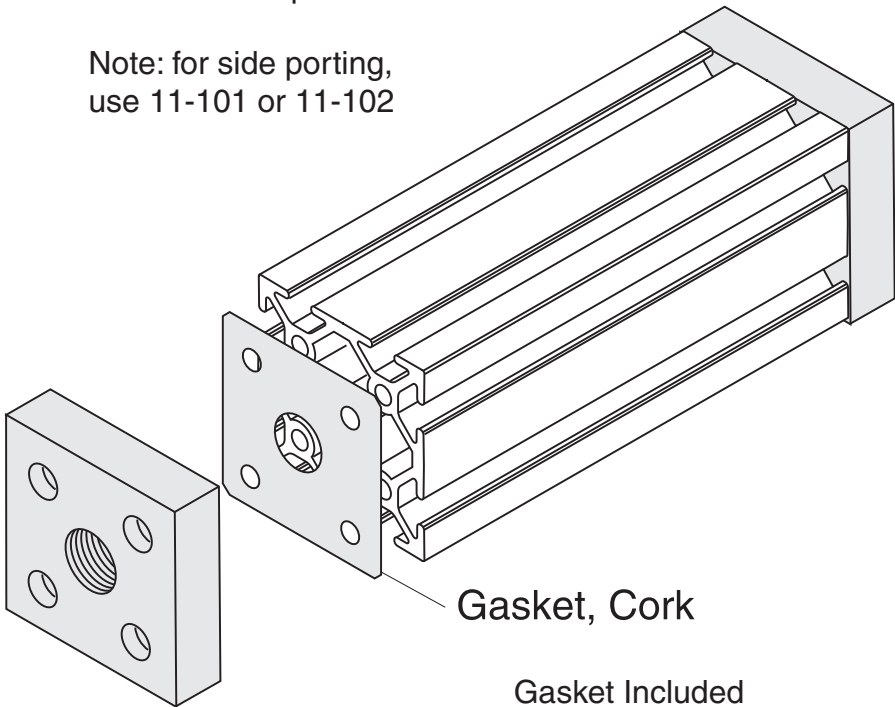
11-100



Cross Sectional
Area = 1.63 sq. in.

drilled & c'bored for
1/4-20 shcs (4)

Note: for side porting,
use 11-101 or 11-102



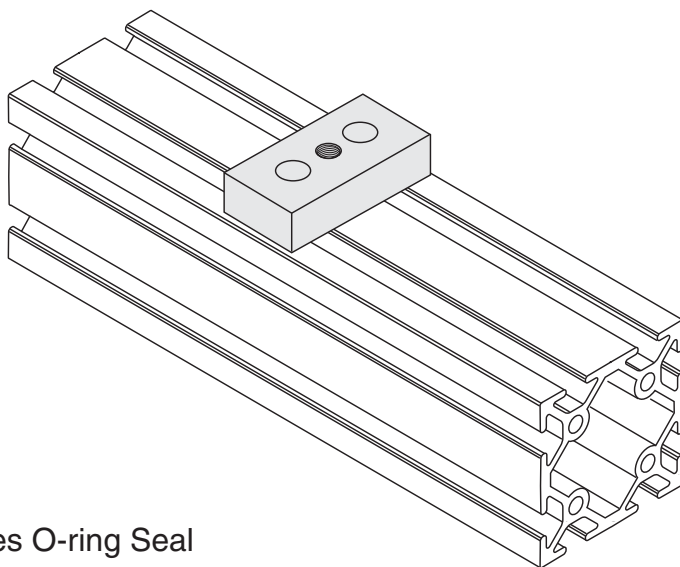
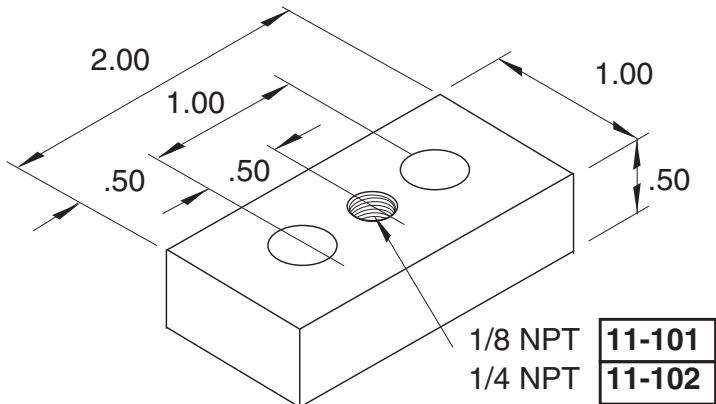
Gasket, Cork

Gasket Included
Requires (4)11- 224 SHCS

Material - Aluminum
Finish - Clear Anodize

11-101

11-102



Includes O-ring Seal

Requires

(2) 11-221 SHCS

(2) 11-210 T-Nut

O-ring Material - Buna N

Material - Aluminum

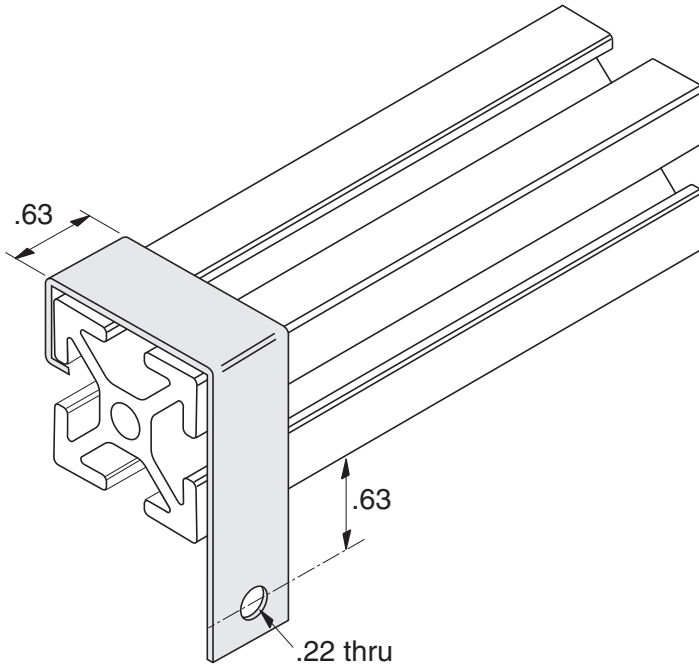
Finish - Clear Anodize

1/4" SLOTS

Hanger Clip



11-190

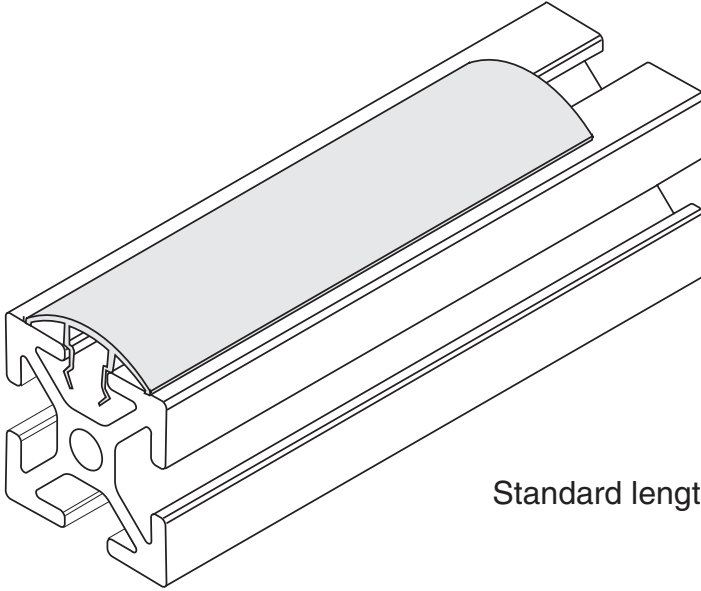


1/4" SLOTS

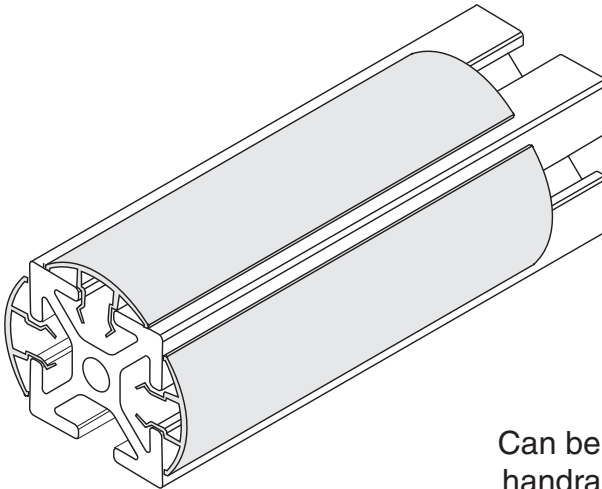
Material Steel
Finish: Zinc Plated

use on all 1/4" slot extrusions
with 1.0" sides

11-320



Standard length 72"



Can be used as
handrail covers

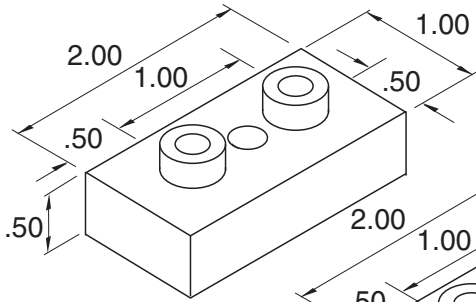
Material - Rigid PVC
Color - Black

1/4" SLOTS

Drill Fixture

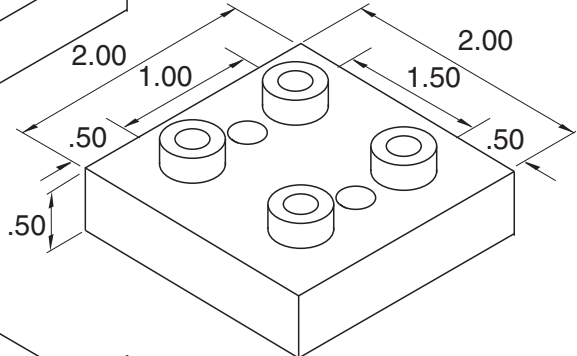


11-150
11-151

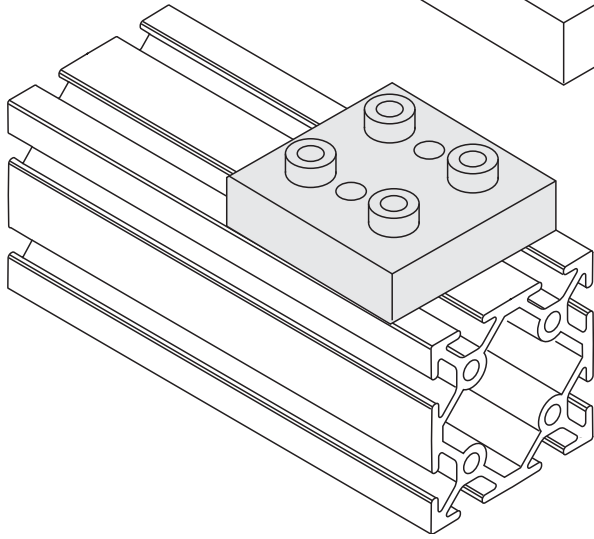


Hardware Included

11-150



11-151



1/4" SLOTS

Use on EX-11, EX-12, EX-13, EX-22 for drilling access holes for universal style corners

Material - Aluminum
Finish - Clear Anodize

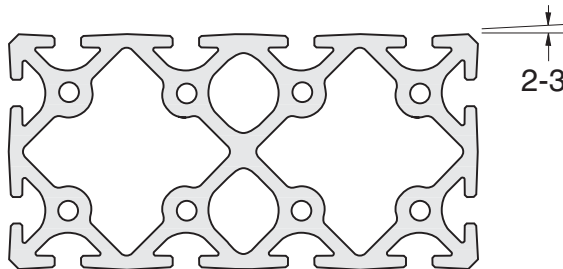
FRAME-WORLD Extruded Aluminum Specifications and Tolerances

- **Flatness:** within .004" per inch of width
- **Twist:** will not exceed .25° per foot with a maximum of 1.5° total in (16) feet.
- **Straightness:** within .0125" per foot and within a maximum of .120 in (16) feet
- **Length:** +.125" for standard length
+.015" for cut pieces
- **Yield Strength:** 35,000 PSI
- **Tensile Strength:** 38,000 PSI
- **Surface Finish:** Etch and clear anodize standard
Powder Coating in color is also available.

Metric Sizes for FRAME-WORLD Extrusions and Accessories

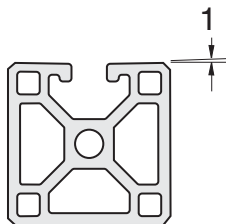
FRAME-WORLD extrusions and accessories are designed using standard American dimensions, and use American dimension fasteners. Metric size fasteners are stocked as catalog items and conversion of extrusion profile to nominal or nearest metric size in whole mm is simple: 1 inch = 25 mm, 1.5 inches = 38 mm, 3 inches = 76 mm.

Self Locking Feature (5/16" wide slots)



Our EX-1, EX-2, EX-26, EX-3 and EX-36 extrusion has a 2-3 degree decline form the extrusion edge to slot centerline.

Self Locking Feature (5/16" wide slots)



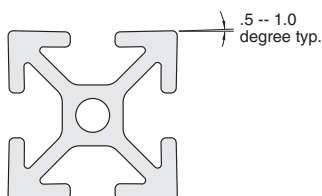
Our EX-6, EX-7, EX-8, EX-52, EX-54, EX-61, EX-63, EX-64, EX-65, EX-66, EX-67, EX-68 and EX-69 extrusions have a 1 degree decline from the extrusion edge.

When fasteners are properly tightened, this feature serves as a lock mechanism to form a shake-proof connection.

Recommended torque on fasteners

5/16-18 or m8 thread - 15 to 20 ft/lbs.

Self Locking Feature (1/4" wide slots)



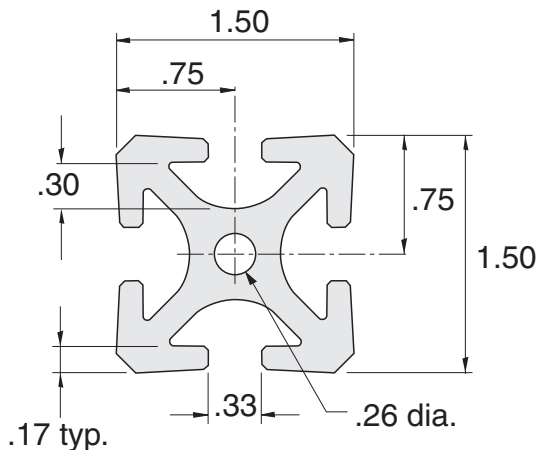
The FRAME-WORLD EX-11, EX-12, EX-13, EX-14, EX-22, EX-70, EX-71, EX-72, EX-73 and EX-24 extrusions have a .5 – 1.0 degree decline from extrusion edge to slot centerline.

This feature serves as a lock mechanism forming a shake-proof connection to keep all fasteners tight.

Recommended torque on fasteners

1/4-20 or m6 thread - 12 to 17 ft/lbs.

EX-1

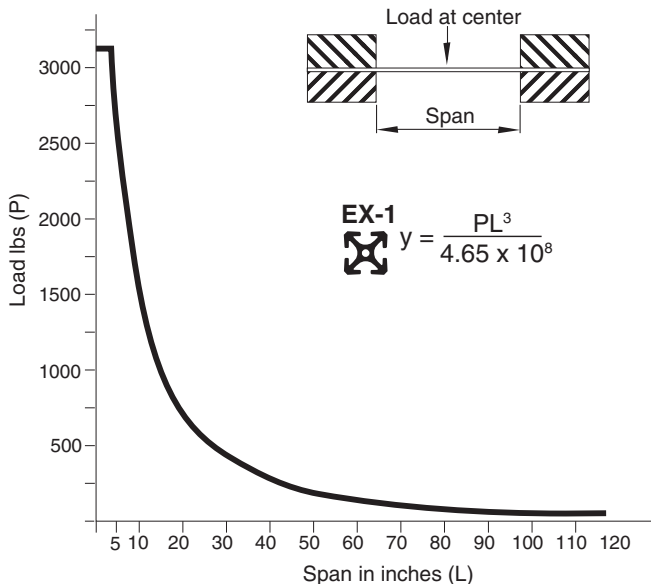


- Finish = Clear anodized
- Material = 6105-T5 Aluminum
- Est. Area = 1.164 Sq. In.
- Weight/ft = 1.4522 lbs.
- 96", 144.25", 192.63" Lengths standard.

Section Properties:

Moment of Intertia in ⁴	.242
Section modulus in ³	.323

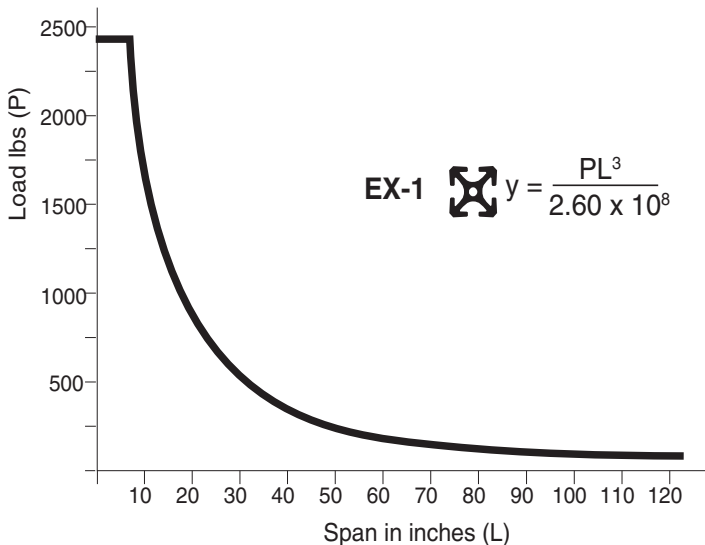
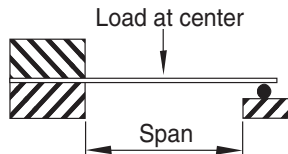
Load condition:
Fixed at both ends, load at center
Deflection = y (inches)



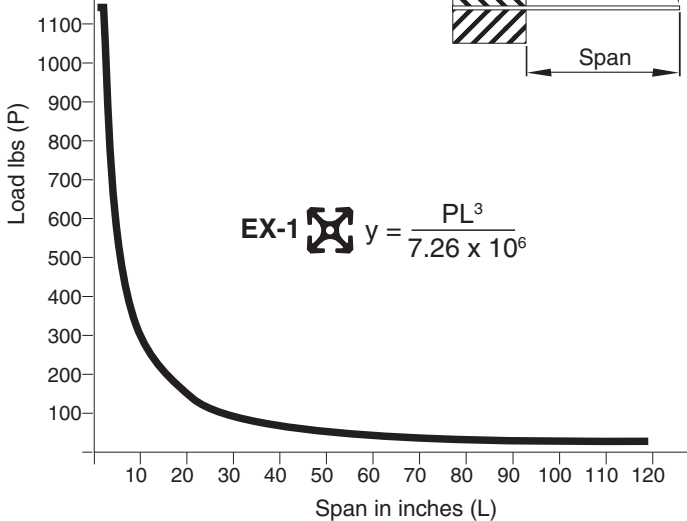
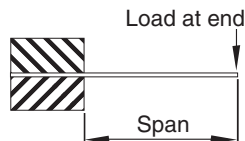
TECHNICAL

EX-1

Load condition:
Fixed at one end, sliding at one end,
load at center
Deflection = Y (inches)

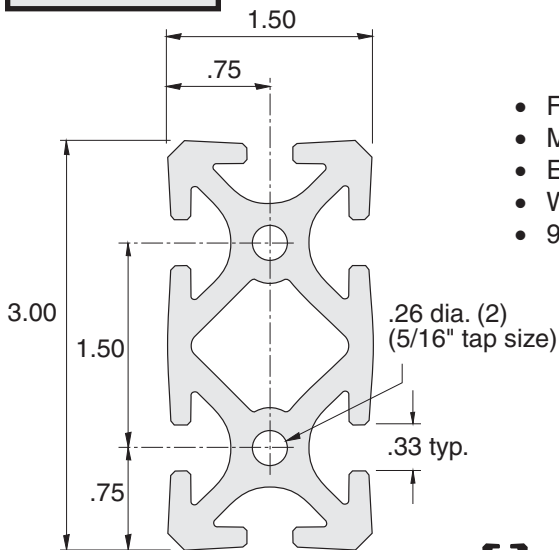


Load condition:
Fixed at one end,
load at unsupported end
Deflection = Y (inches)



TECHNICAL

EX-2



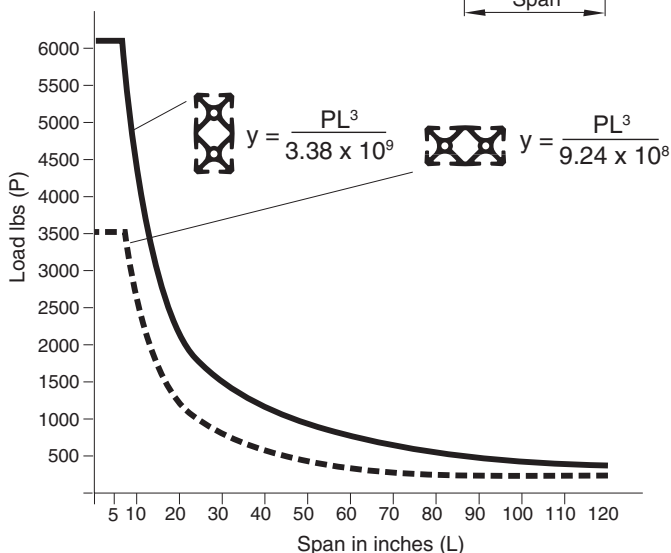
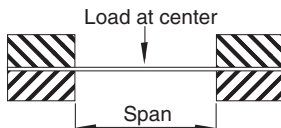
- Finish = Clear anodized
- Material = 6105-T5 Aluminum
- Est. Area = 2.051 Sq. In.
- Weight/ft = 2.471 lbs.
- 96", 144.25", 192.63" Lengths standard.

Section Properties:

Moment of Intertia in ⁴	1.76	.481
Section modulus in ³	1.173	.641

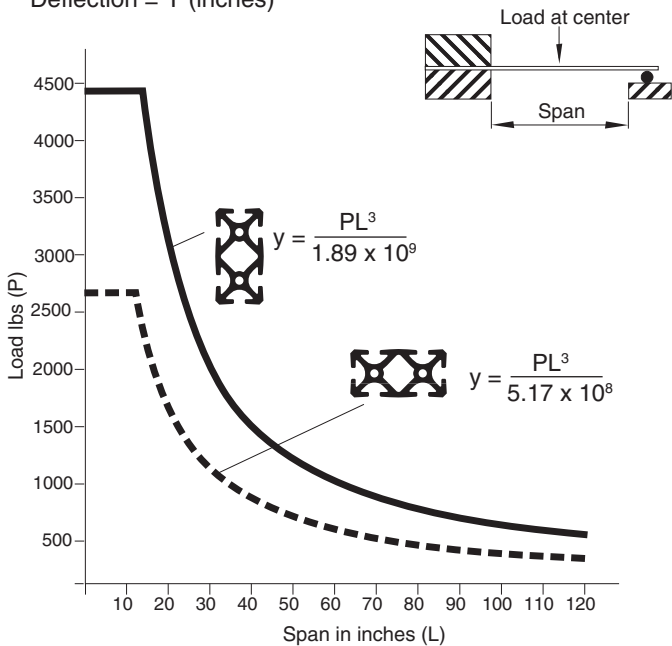


Load condition:
Fixed at both ends, load at center
Deflection = y (inches)

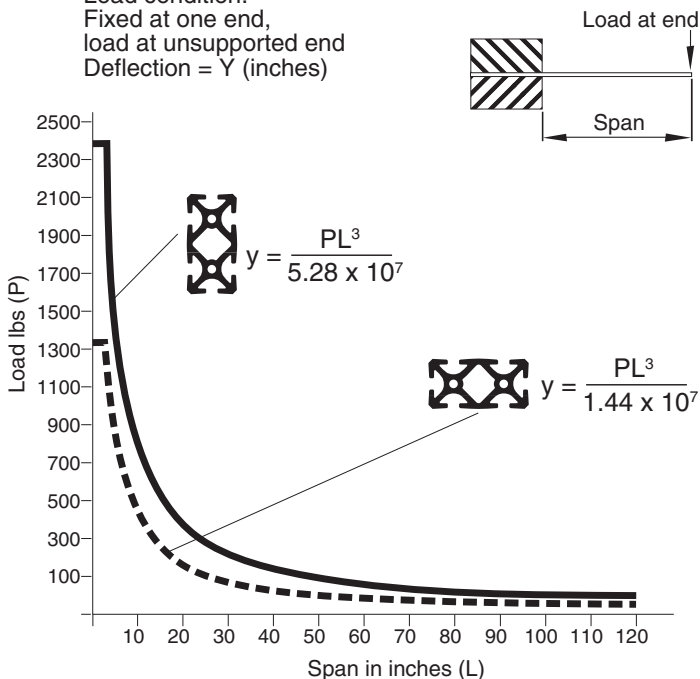


EX-2

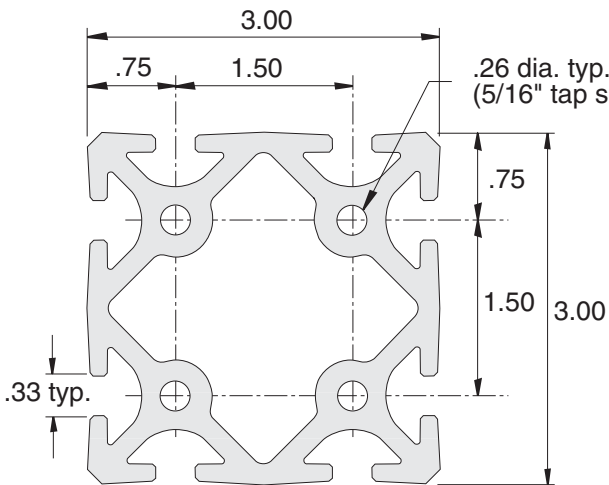
Load condition:
Fixed at one end, sliding at one end,
load at center
Deflection = Y (inches)



Load condition:
Fixed at one end,
load at unsupported end
Deflection = Y (inches)



EX-3



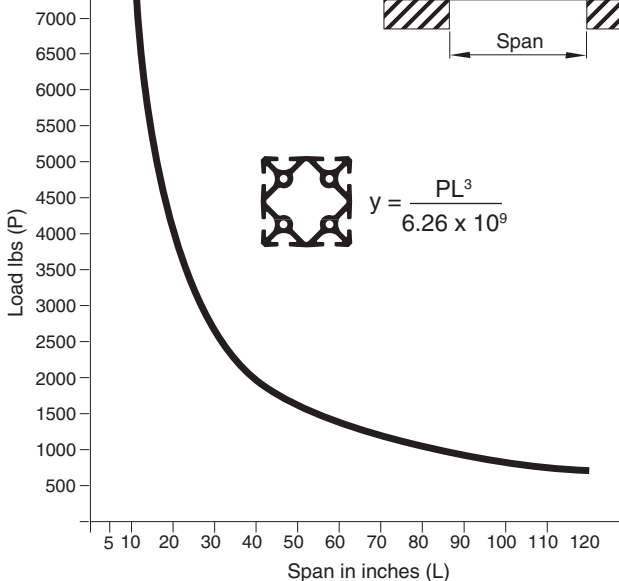
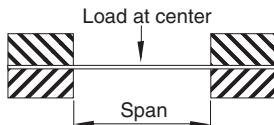
- Finish = Clear anodized
- Material = 6105-T5 Aluminum
- Est. Area = 3.188 Sq. In.
- Weight/ft = 4.037 lbs.
- 96", 144.25", 192.63" Lengths standard.



Section Properties:

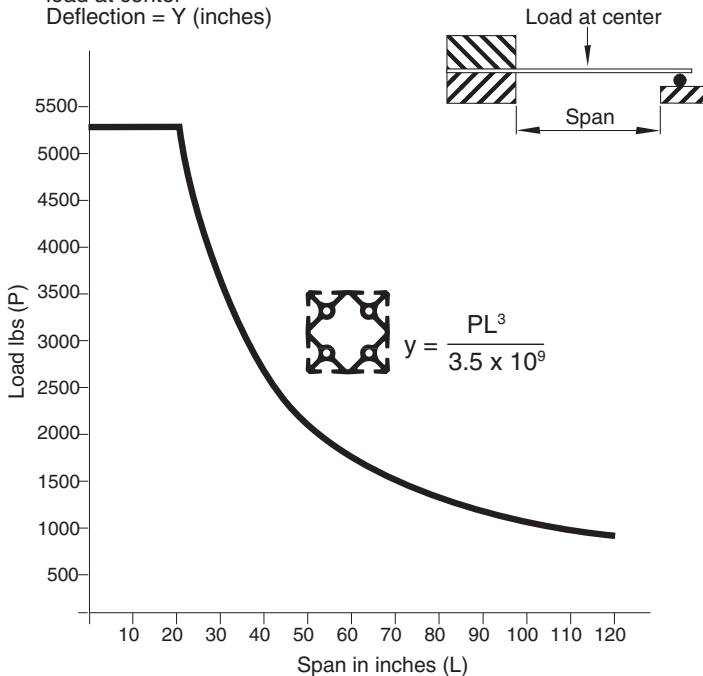
Moment of Intertia in ⁴	3.26
Section modulus in ³	2.173

Load condition:
Fixed at both ends, load at center
Deflection = y (inches)

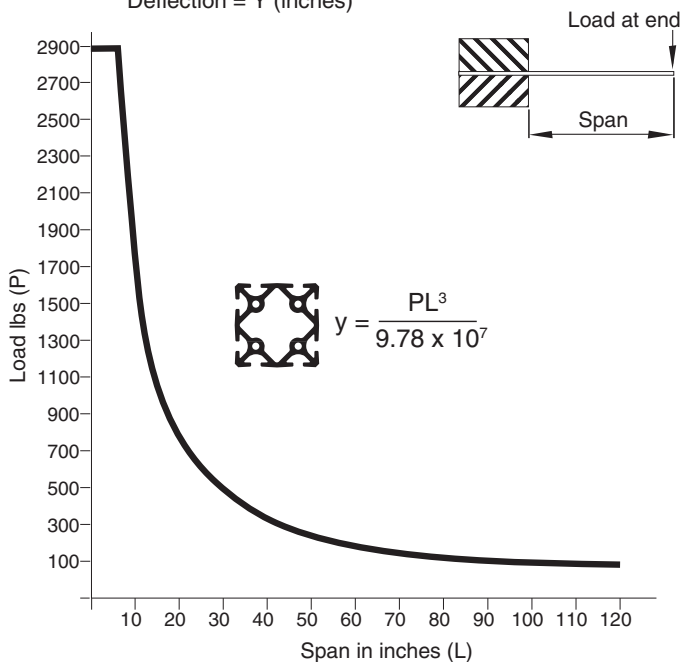


EX-3

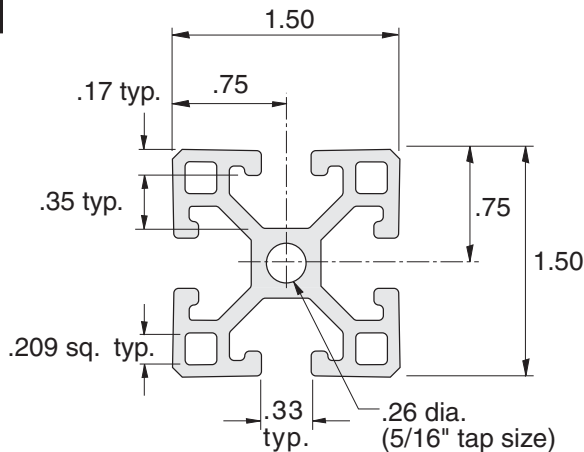
Load condition:
Fixed at one end, sliding at one end,
load at center
Deflection = Y (inches)



Load condition:
Fixed at one end,
load at unsupported end
Deflection = Y (inches)



EX-6

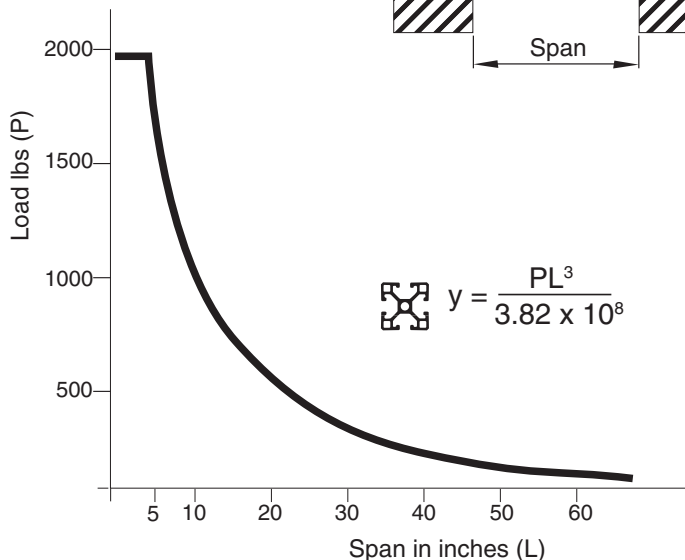
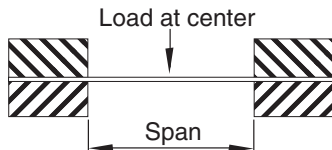


- Finish = Clear anodized
- Material = 6105-T5 Aluminum
- Est. Area = .878 Sq. In.
- Weight/ft = 1.029 lbs.
- 96", 144.25", 192.63" Lengths standard.

Section Properties:

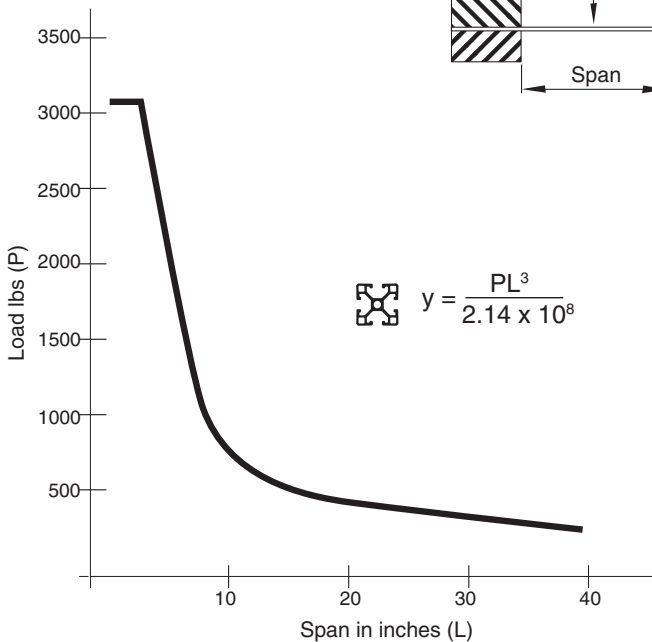
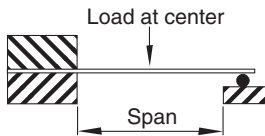
Moment of Inertia in ⁴	.199
Section modulus in ³	.265


Load condition:
Fixed at both ends, load at center
Deflection = y (inches)



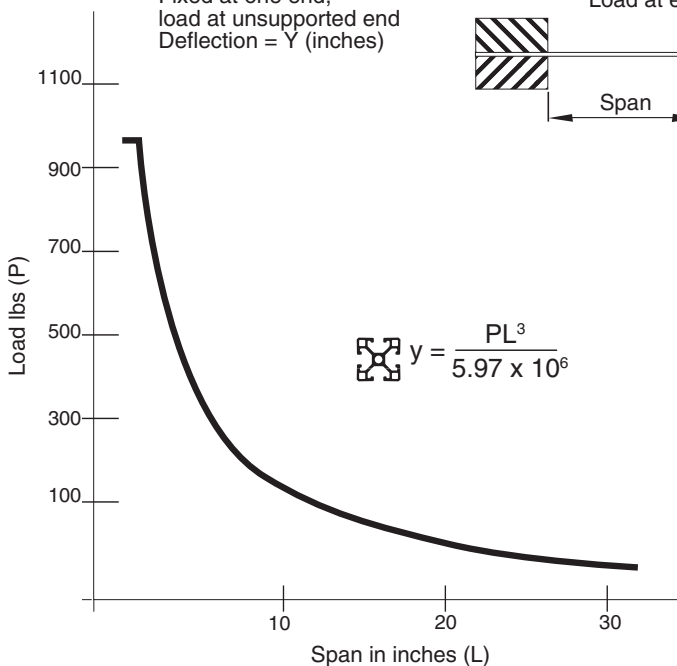
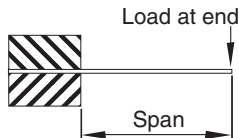
EX-6


Load condition:
Fixed at one end, sliding at one end,
load at center
Deflection = Y (inches)



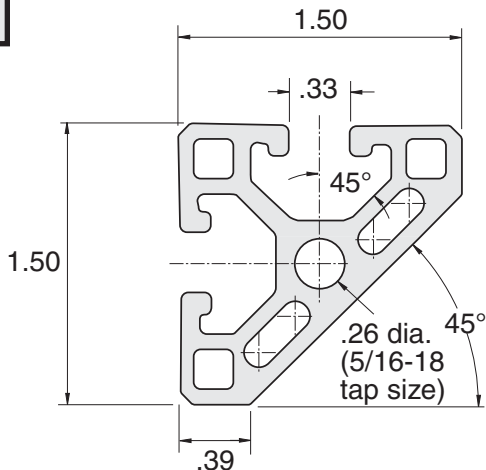
 $y = \frac{PL^3}{2.14 \times 10^8}$

Load condition:
Fixed at one end,
load at unsupported end
Deflection = Y (inches)



 $y = \frac{PL^3}{5.97 \times 10^6}$

EX-7



- Finish = Clear anodized
- Material = 6105-T5 Aluminum
- Est. Area = .729 Sq. In.
- Weight/ft = .854 lbs.
- 96", 192.63" Lengths standard.

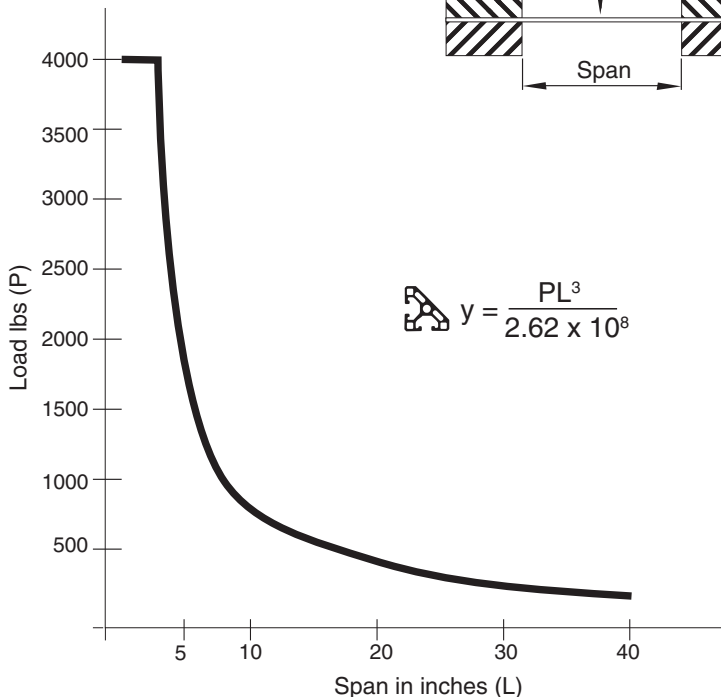
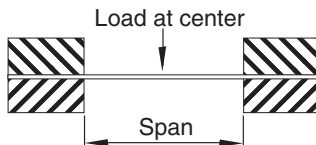
Section Properties:

Moment of Intertia in ⁴	.137
Section modulus in ³	.195

Load condition:

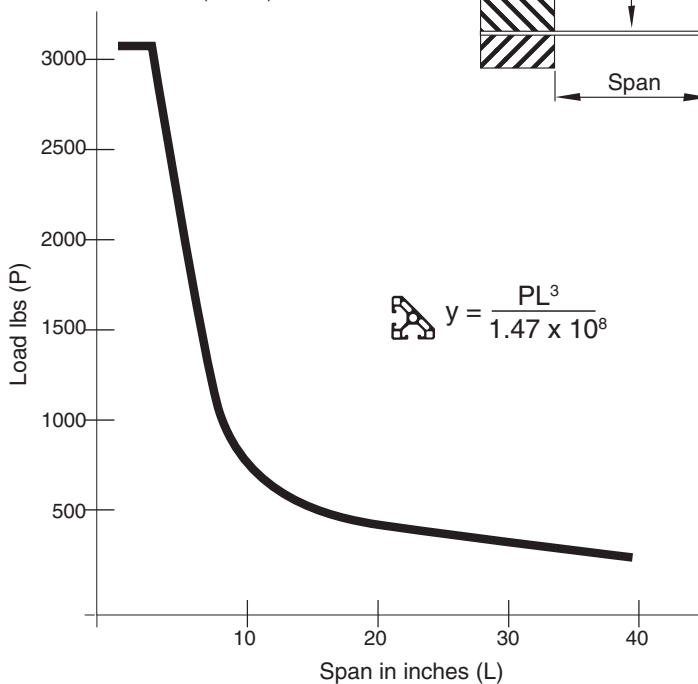
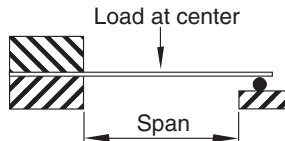
Fixed at both ends, load at center

Deflection = y (inches)

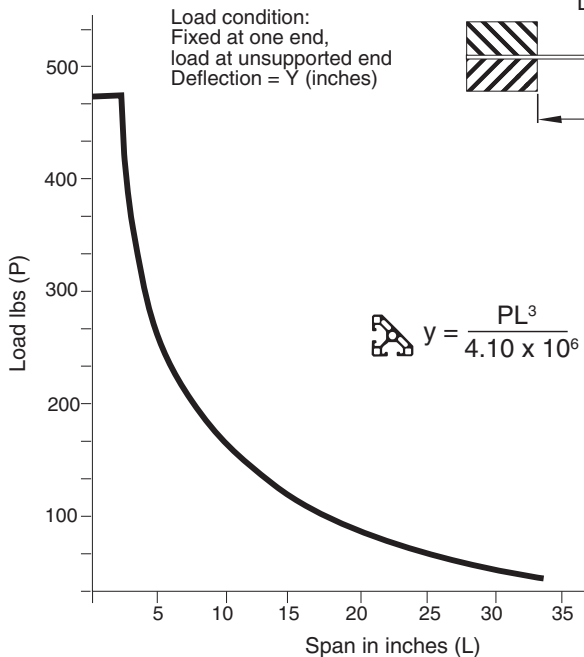
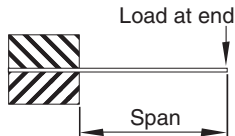


EX-7

Load condition:
Fixed at one end, sliding at one end,
load at center
Deflection = Y (inches)

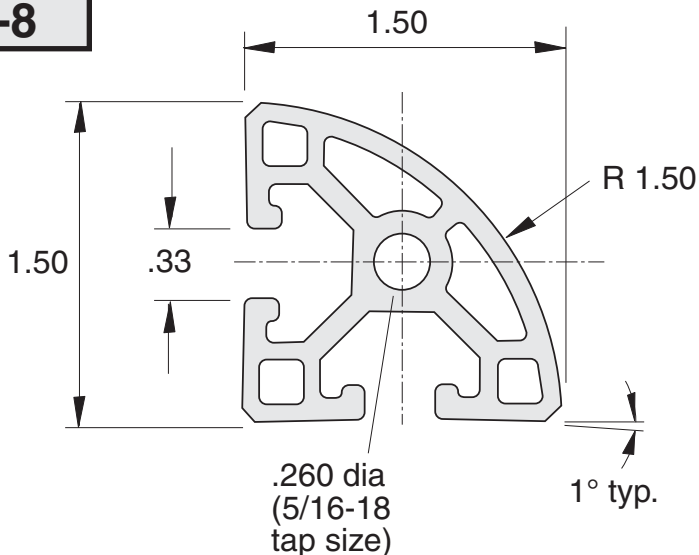


Load condition:
Fixed at one end,
load at unsupported end
Deflection = Y (inches)



TECHNICAL

EX-8

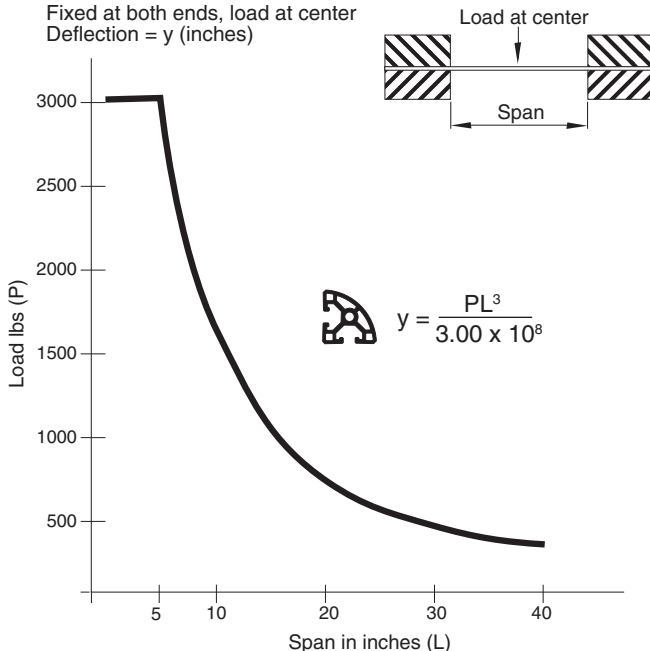


- Finish = Clear anodized
- Material = 6105-T6 Aluminum
- Est. Area = .803 Sq. In.
- Weight/ft = .945 lbs.
- 96", 192.63" Lengths standard.

Section Properties:

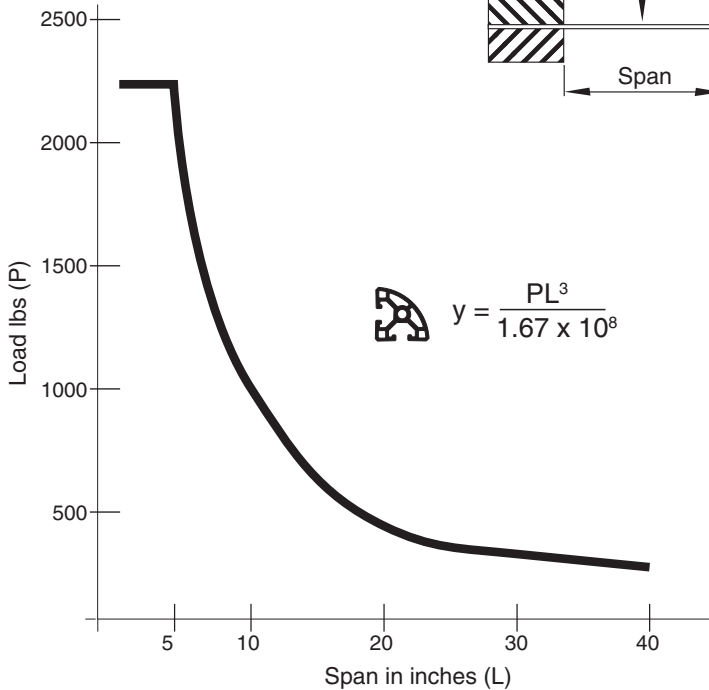
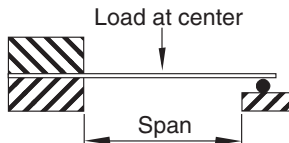
Moment of Intertia in ⁴	.156
Section modulus in ³	.188

Load condition:
Fixed at both ends, load at center
Deflection = y (inches)

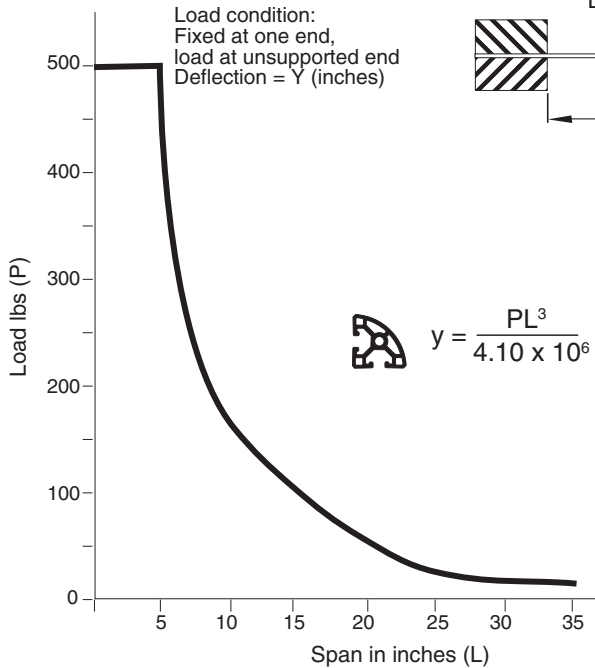
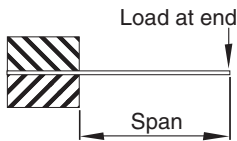


EX-8

Load condition:
Fixed at one end, sliding at one end,
load at center
Deflection = Y (inches)



Load condition:
Fixed at one end,
load at unsupported end
Deflection = Y (inches)

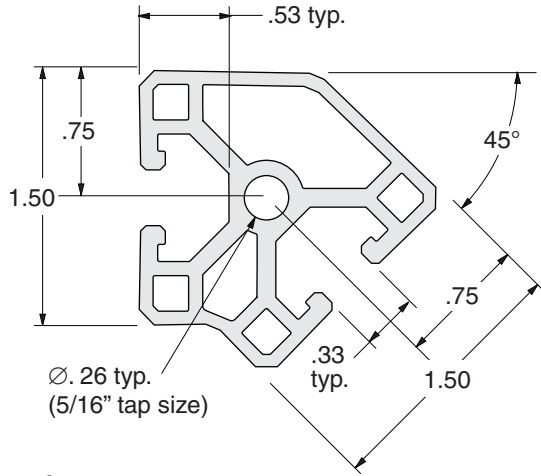


45 Degree Light Extrusion



EX-82

- 5/16" Slot Size
- Weight/Ft = 1.02 lbs.
- Est. Area = .85 Sq. In.
- Finish = Clear Anodized
- Material = 6105-T5 Aluminum
- 96", 192.63" Standard Lengths

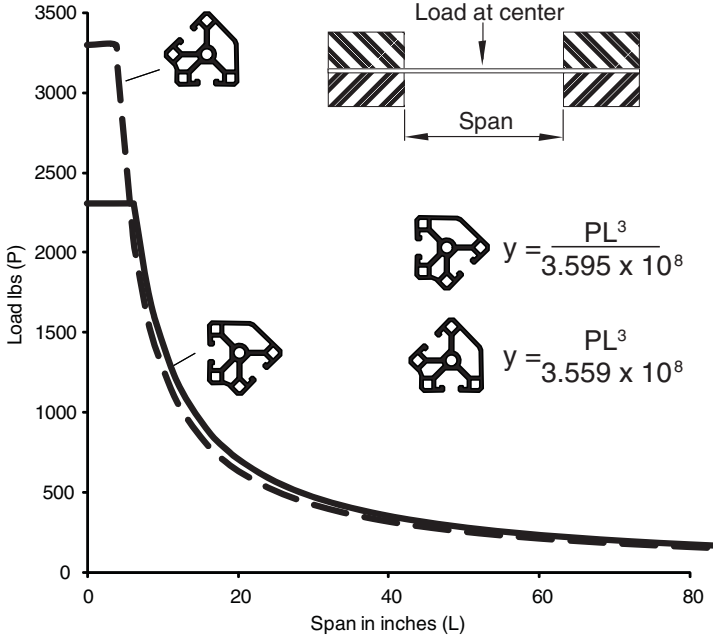


Section Properties:

Moment of Intertia in ⁴	0.1872	0.1854
Section modulus in ³	0.2035	0.1817

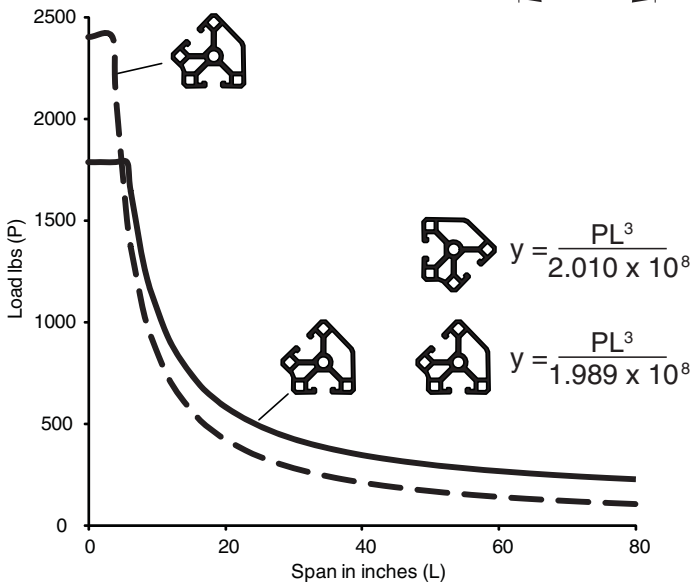
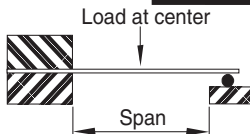


Load condition:
Fixed at both ends, load at center
Deflection = y (inches)

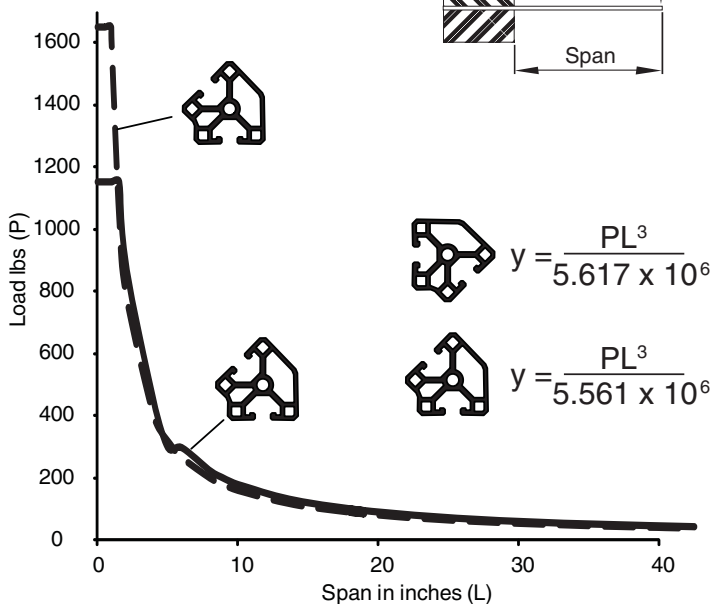
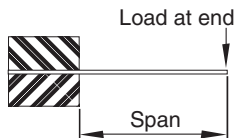


EX-82

Load condition:
Fixed at one end, sliding at one end,
load at center
Deflection = Y (inches)



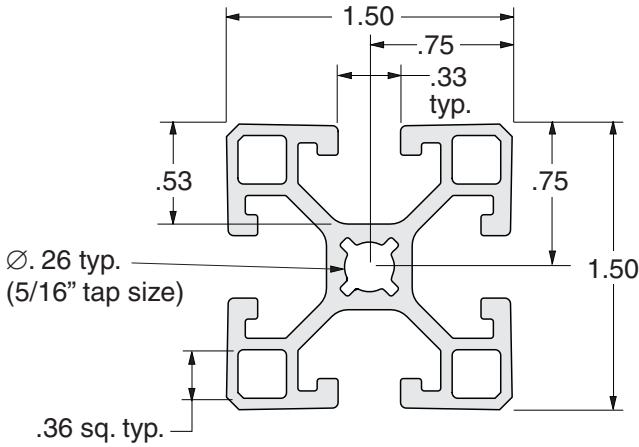
Load condition:
Fixed at one end,
load at unsupported end
Deflection = Y (inches)



1.5" x 1.5" Ultra-Light Extrusion



EX-9

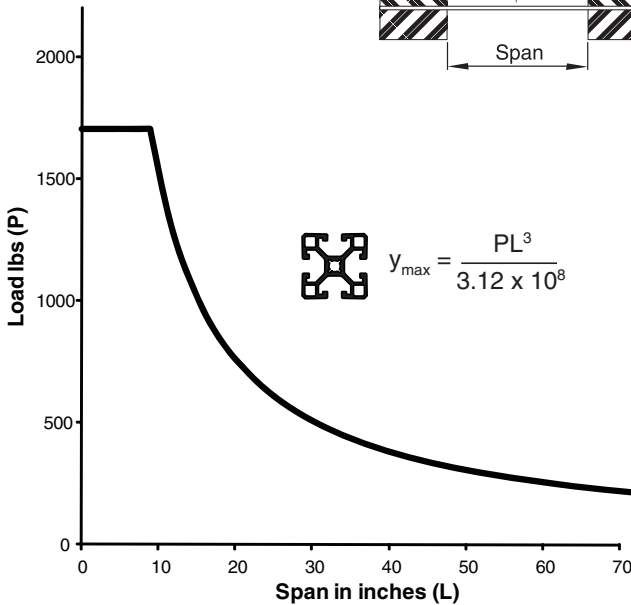
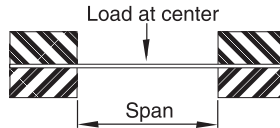


- 5/16" Slot Size
- Weight/Ft = .85 lbs.
- Est. Area = .73 Sq. In.
- Finish = Clear Anodized
- Material = 6105-T5 Aluminum
- 96", 192.63" Standard Lengths

Section Properties:

Moment of Inertia in ⁴	.1623
Section modulus in ³	.2164

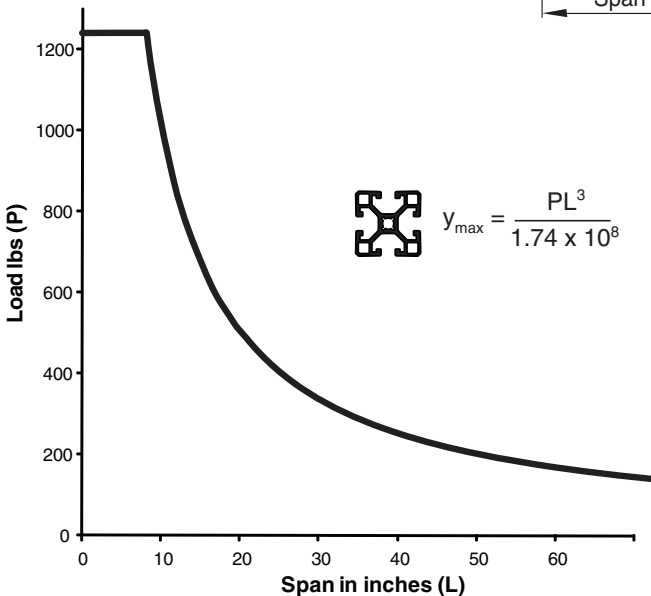
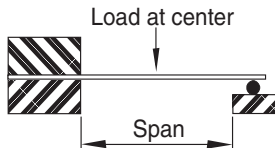
Load condition:
Fixed at both ends, load at center
Deflection = y (inches)



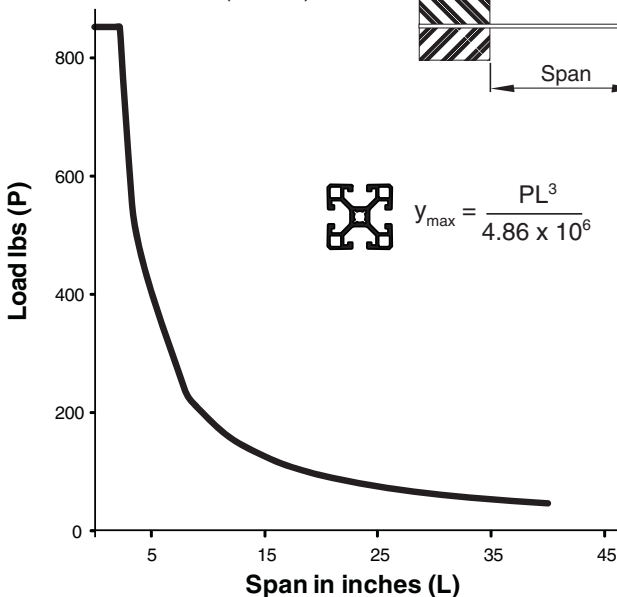
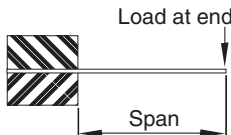
TECHNICAL

EX-9

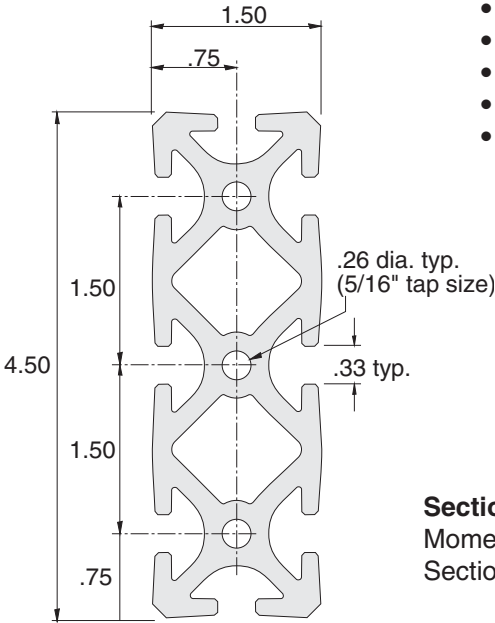
Load condition:
Fixed at one end, sliding at one end,
load at center
Deflection = Y (inches)



Load condition:
Fixed at one end,
load at unsupported end
Deflection = Y (inches)



EX-26



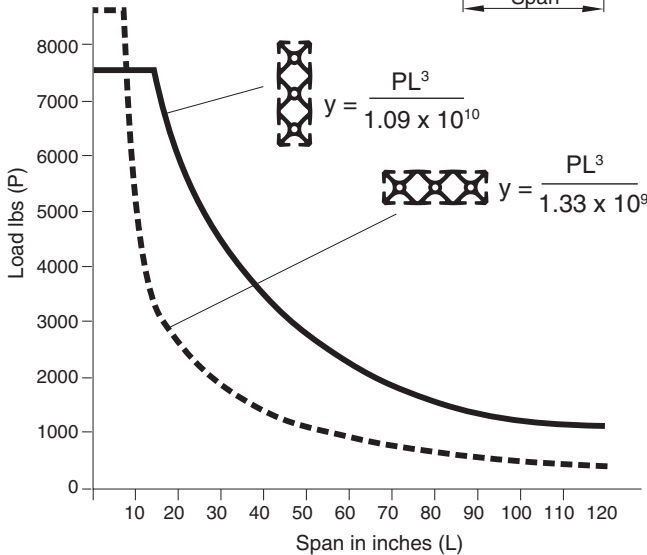
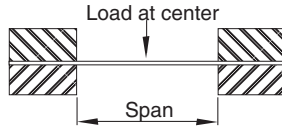
- Finish = Clear anodized
- Material = 6105-T5 Aluminum
- Est. Area = 3.02 Sq. In.
- Weight/ft = 3.552 lbs.
- 96", 192.63" Lengths standard.

Section Properties:

Moment of Inertia in ⁴	5.6781	.6911
Section modulus in ³	2.5236	.9215

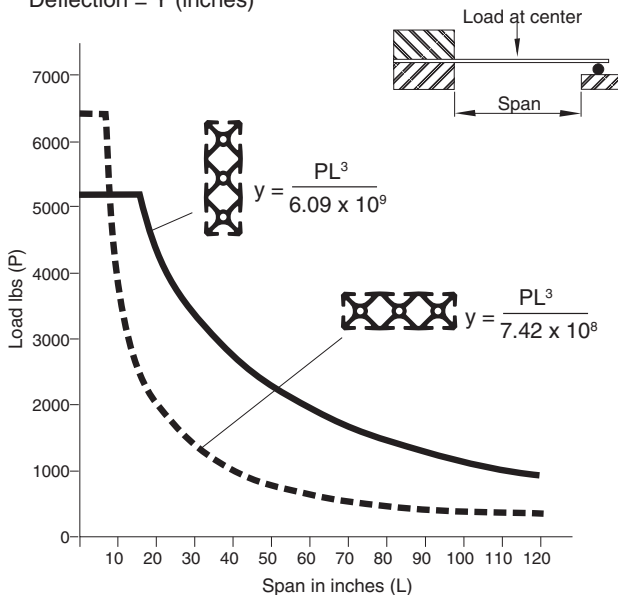


Load condition:
Fixed at both ends, load at center
Deflection = y (inches)

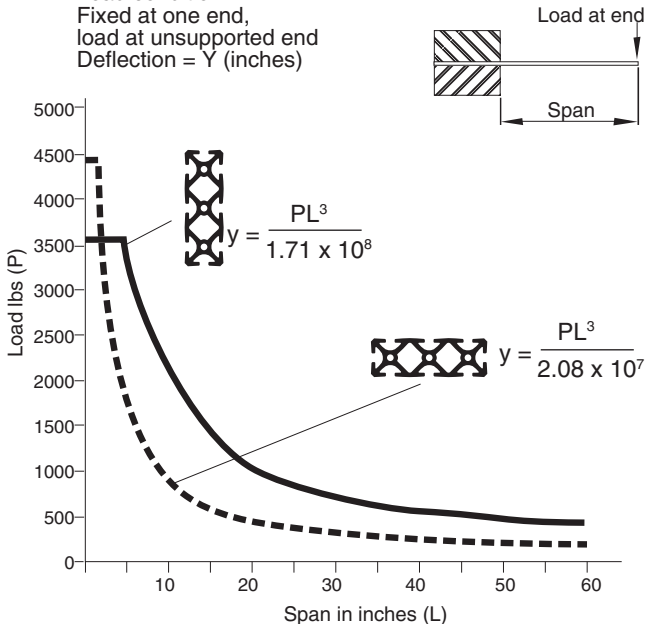


EX-26

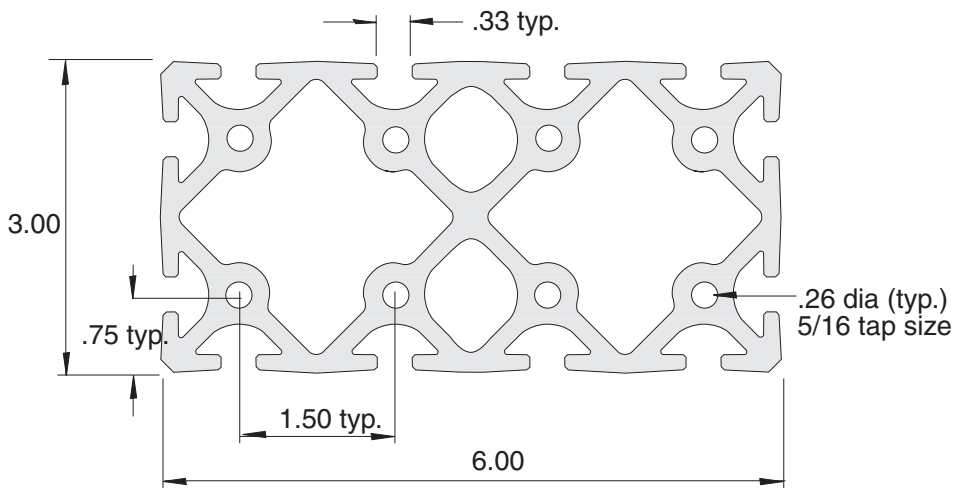
Load condition:
Fixed at one end, sliding at one end,
load at center
Deflection = Y (inches)



Load condition:
Fixed at one end,
load at unsupported end
Deflection = Y (inches)



EX-36

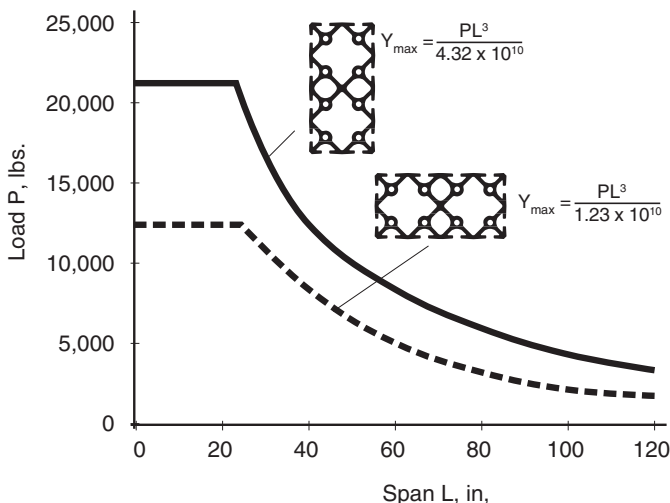
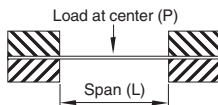


- Finish = Clear anodized
- Material = 6063-T6 Aluminum
- Est. Area = 5.924 Sq. In.
- Weight/ft = 6.967 lbs.
- 96", 192.63" Lengths standard.

Section Properties:

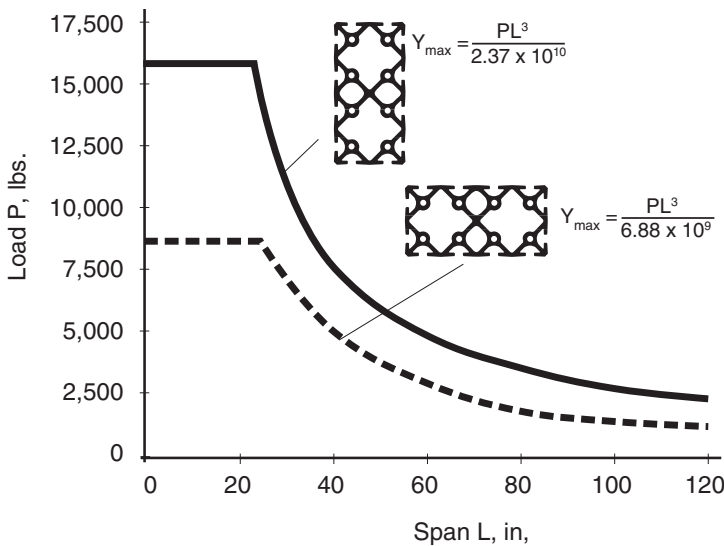
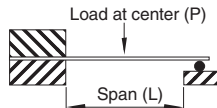
Moment of Inertia in ⁴	22.05	6.41
Section modulus in ³	7.35	4.28

Load condition:
Fixed at both ends, load at center
Deflection = y (inches)

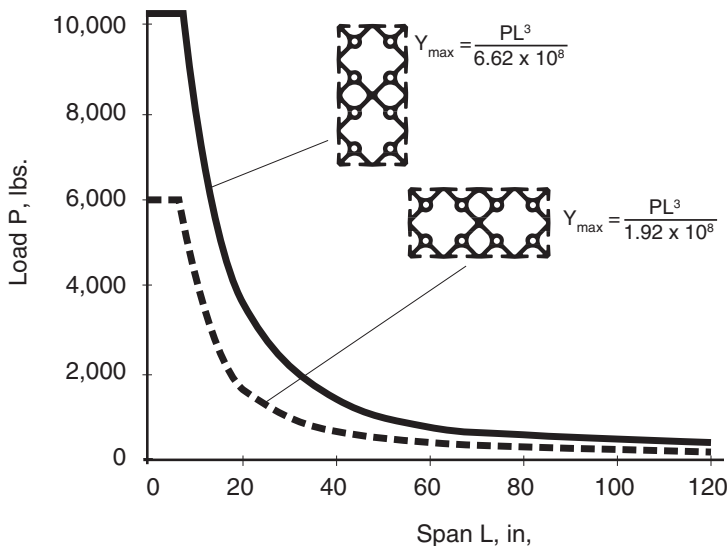
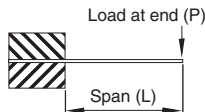


EX-36

Load condition:
Fixed at one end, sliding at one end,
load at center
Deflection = Y (inches)



Load condition:
Fixed at one end,
load at unsupported end
Deflection = Y (inches)

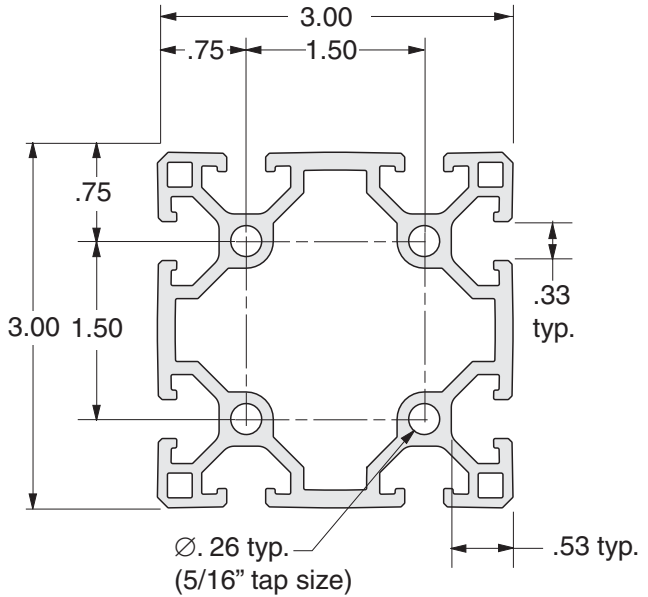


3" x 3" Light Extrusion



EX-37

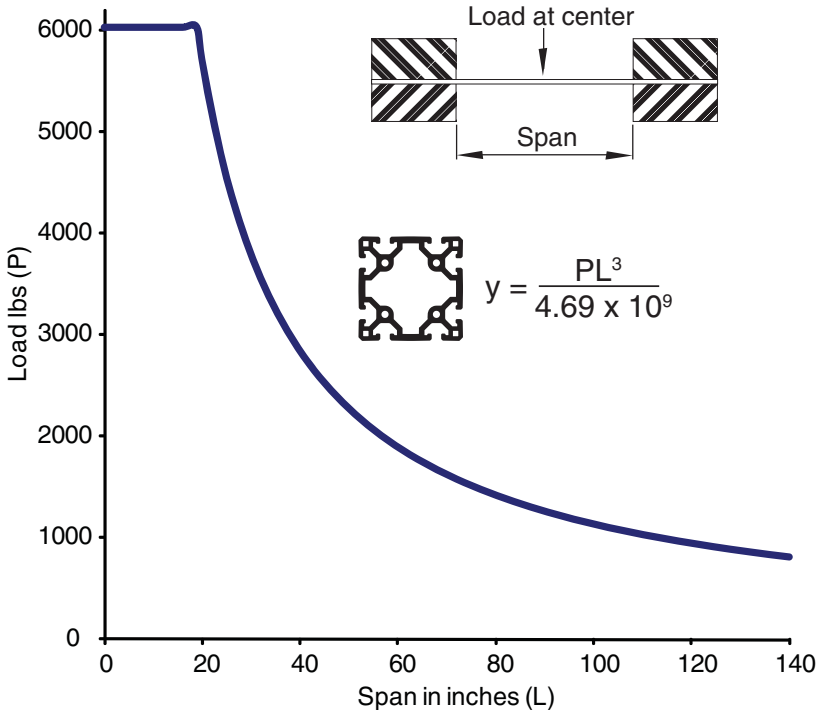
- 5/16" Slot Size
- Weight/Ft = 2.81 lbs.
- Est. Area = 2.35 Sq. In.
- Finish = Clear Anodized
- Material = 6105-T5 Aluminum
- 96", 192.63" Standard Lengths



Section Properties:

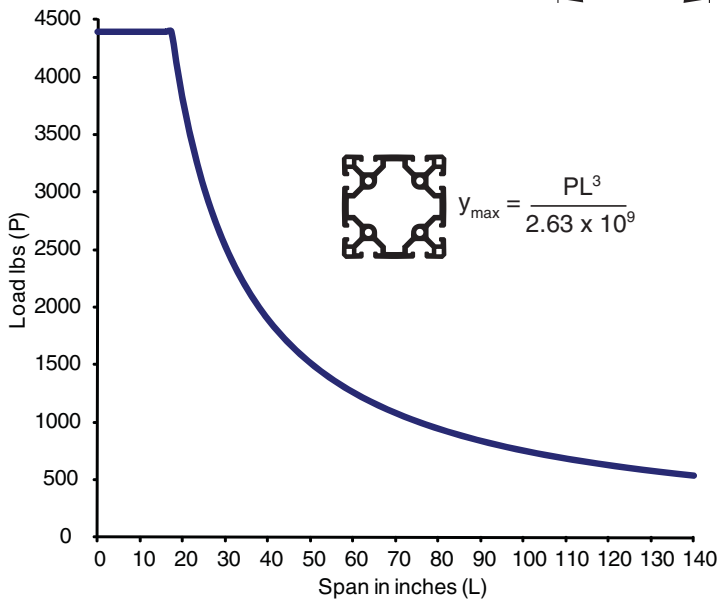
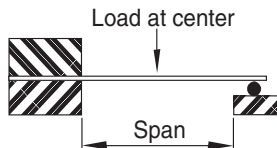
Moment of Intertia in ⁴	2.44
Section modulus in ³	1.63

Load condition:
Fixed at both ends, load at center
Deflection = y (inches)

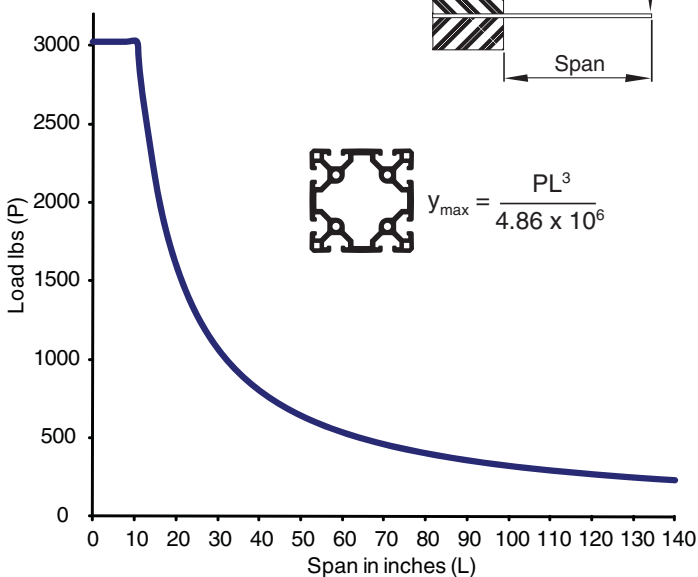
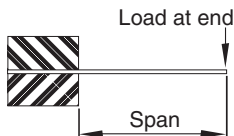


EX-37

Load condition:
Fixed at one end, sliding at one end,
load at center
Deflection = Y (inches)

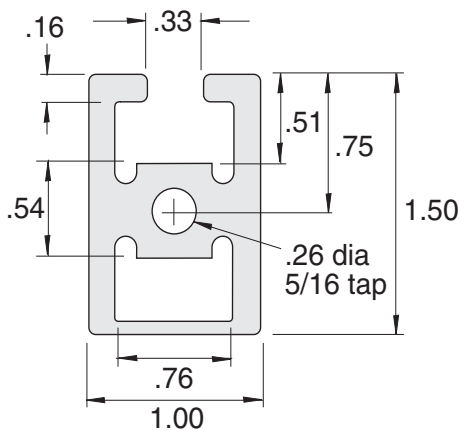


Load condition:
Fixed at one end,
load at unsupported end
Deflection = Y (inches)



TECHNICAL

EX-52



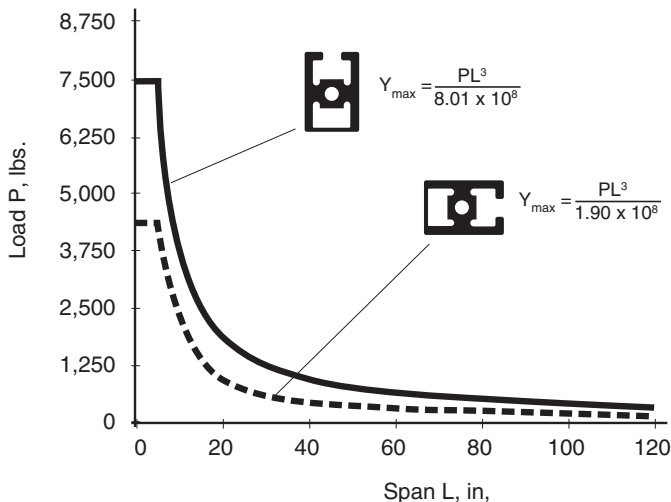
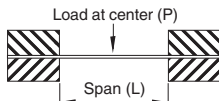
- Finish = Clear anodized
- Material = 6105-T5 Aluminum
- Est. Area = .818 Sq. In.
- Weight/ft = .954 lbs.
- 96", 192.63" Lengths standard.



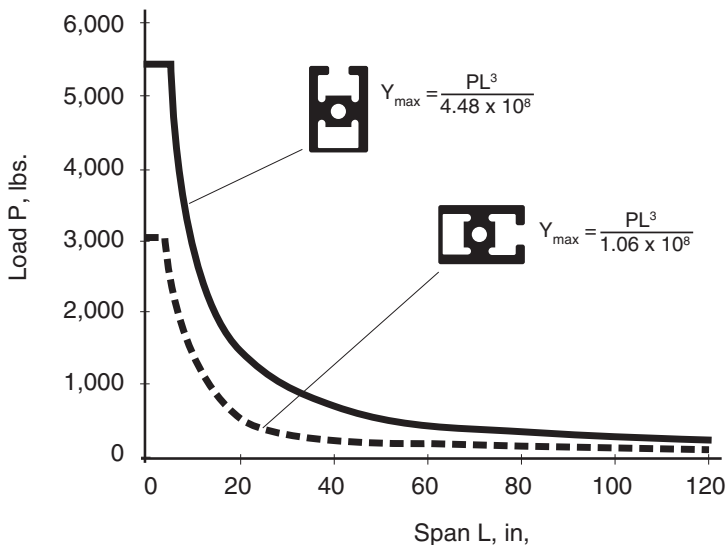
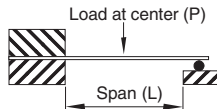
Section Properties:

Moment of Intertia in ⁴	0.417	0.099
Section modulus in ³	0.549	0.198

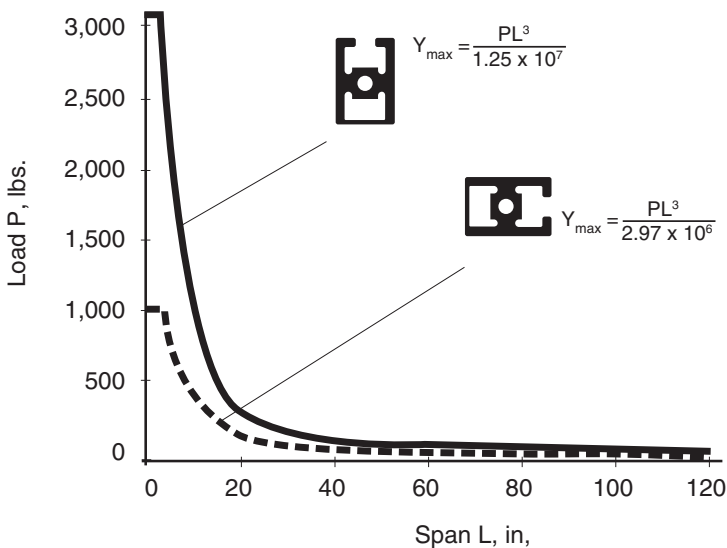
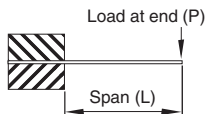
Load condition:
Fixed at both ends, load at center
Deflection = y (inches)



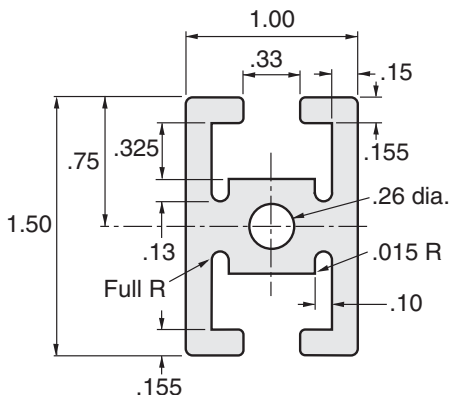
Load condition:
Fixed at one end, sliding at one end,
load at center
Deflection = Y (inches)



Load condition:
Fixed at one end,
load at unsupported end
Deflection = Y (inches)



EX-54



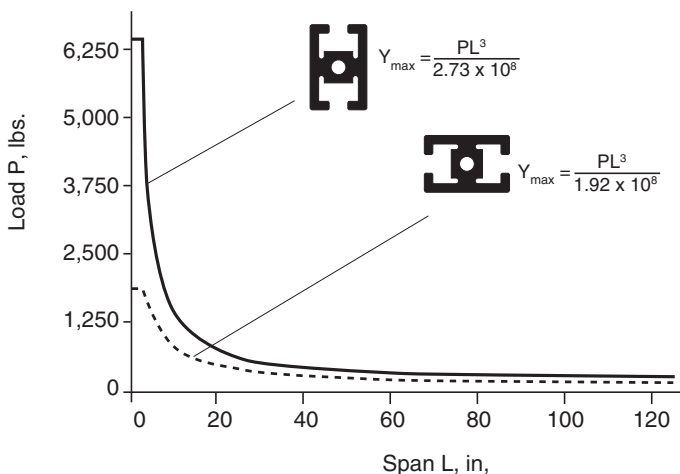
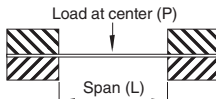
- Finish = Clear anodized
- Material = 6105-T5 Aluminum
- Est. Area = .840 Sq. In.
- Weight/ft = 1.008 lbs.
- 96", 192.63" Lengths standard.



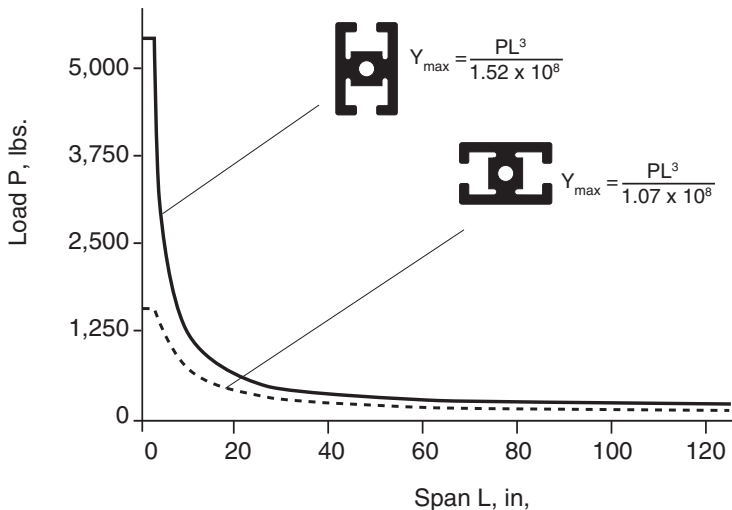
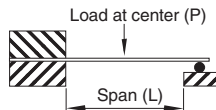
Section Properties:

Moment of Intertia in ⁴	0.142	0.100
Section modulus in ³	0.189	0.200

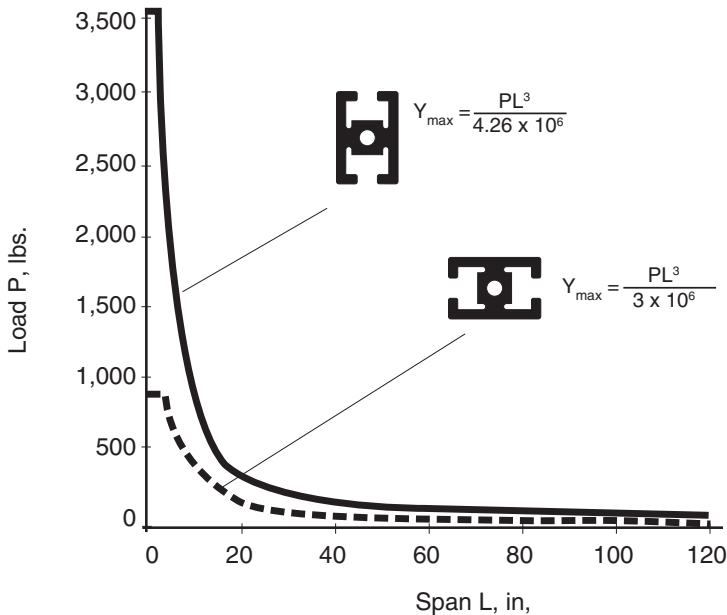
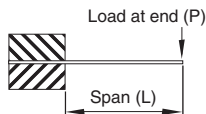
Load condition:
Fixed at both ends, load at center
Deflection = y (inches)



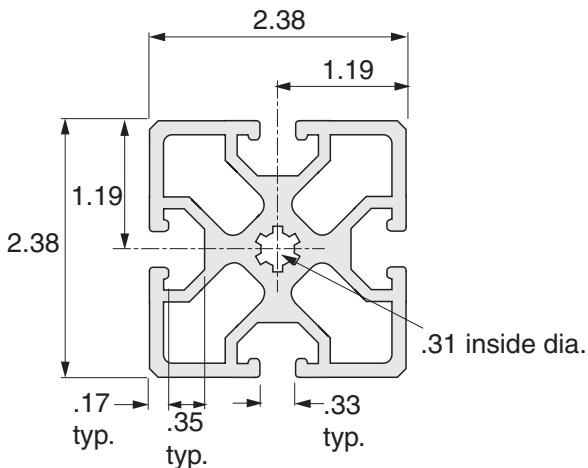
Load condition:
Fixed at one end, sliding at one end,
load at center
Deflection = Y (inches)



Load condition:
Fixed at one end,
load at unsupported end
Deflection = Y (inches)



EX-60

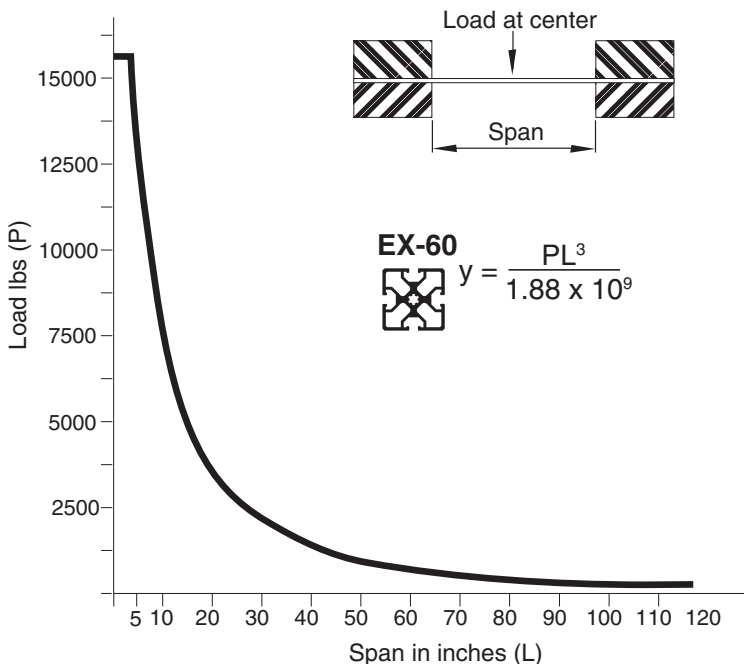


- Finish = Clear anodized
- Material = 6105-T6 Aluminum
- Est. Area = 2.041 Sq. In.
- Weight/ft = 2.400 lbs
- 96", 192.63" Lengths standard.

Section Properties:

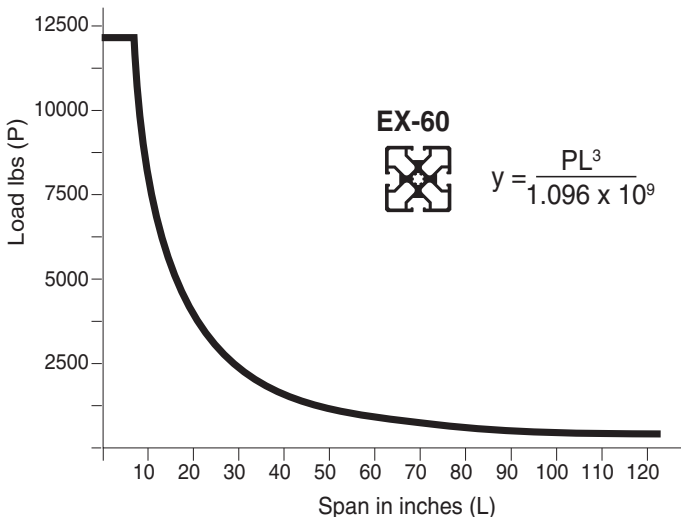
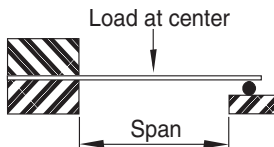
Moment of Inertia in⁴ 1.0211
 Section modulus in³ 0.860

Load condition:
 Fixed at both ends, load at center
 Deflection = y (inches)

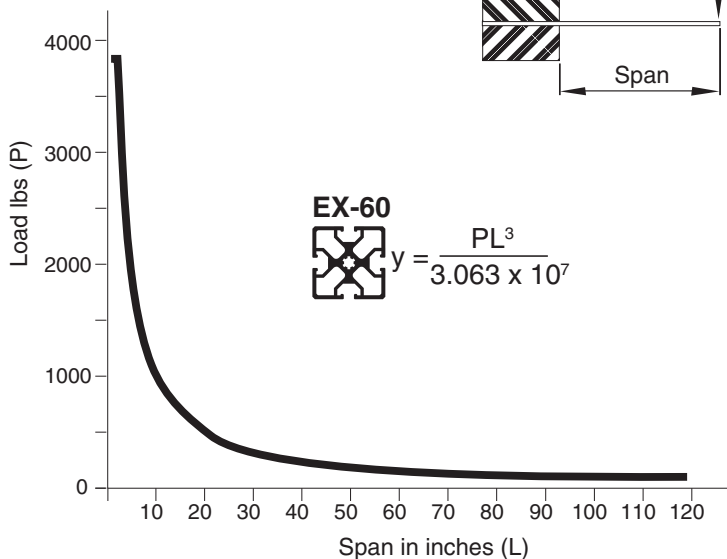
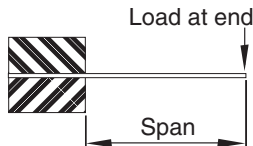


EX-60

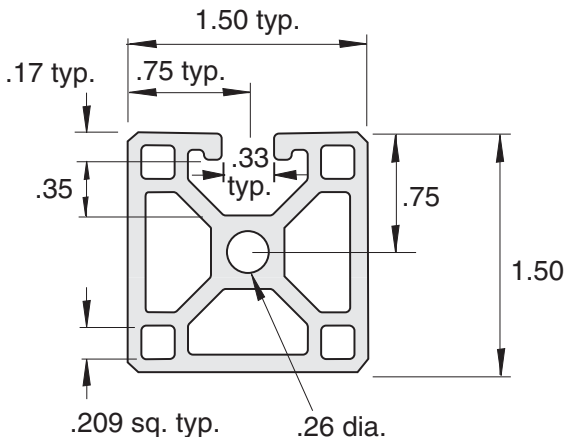
Load condition:
Fixed at one end, sliding at one end,
load at center
Deflection = Y (inches)



Load condition:
Fixed at one end,
load at unsupported end
Deflection = Y (inches)



EX-61



- Finish = Clear anodized
- Material = 6105-T5 Aluminum
- Est. Area = .866 Sq. In.
- Weight/ft = 1.018 lbs
- 96", 192.63" Lengths standard.

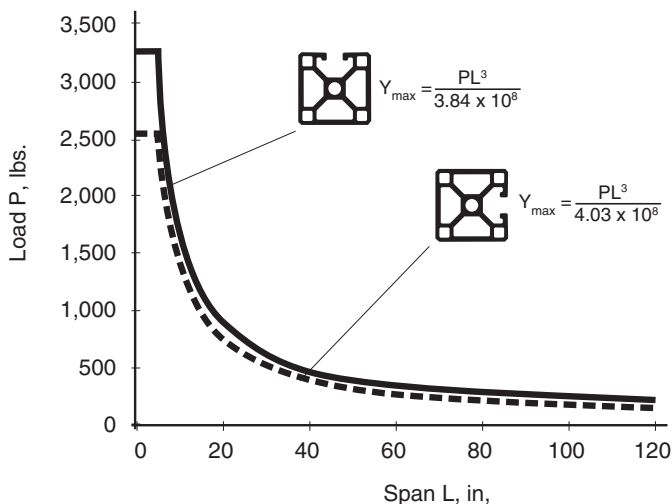
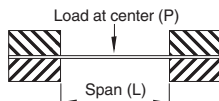
Section Properties:

Moment of Inertia in⁴
Section modulus in³



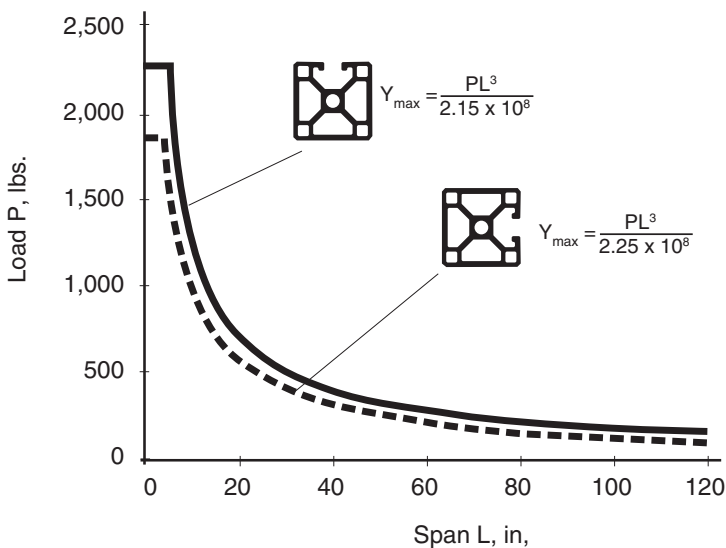
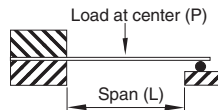
0.200	0.210
0.267	0.276

Load condition:
Fixed at both ends, load at center
Deflection = y (inches)

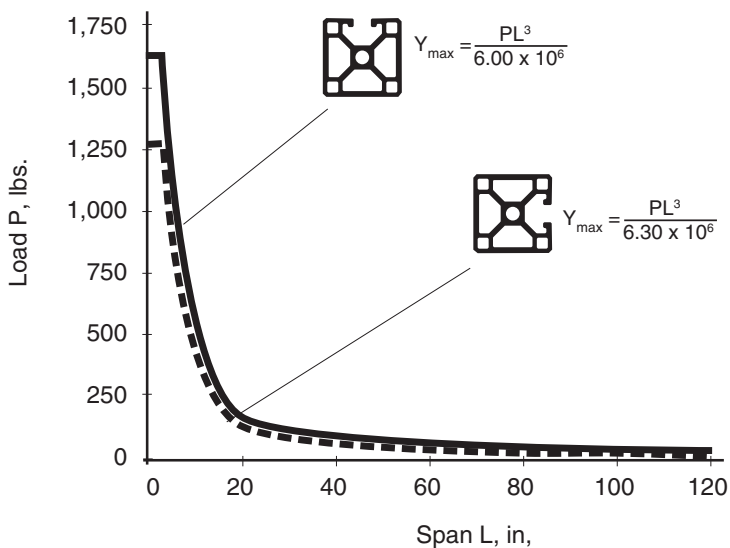
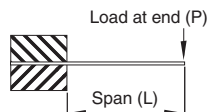


EX-61

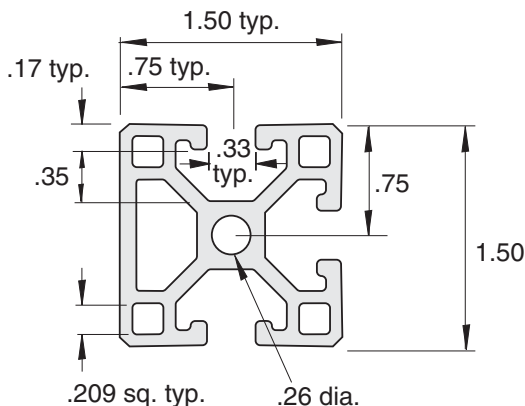
Load condition:
Fixed at one end, sliding at one end,
load at center
Deflection = Y (inches)



Load condition:
Fixed at one end,
load at unsupported end
Deflection = Y (inches)



EX-63



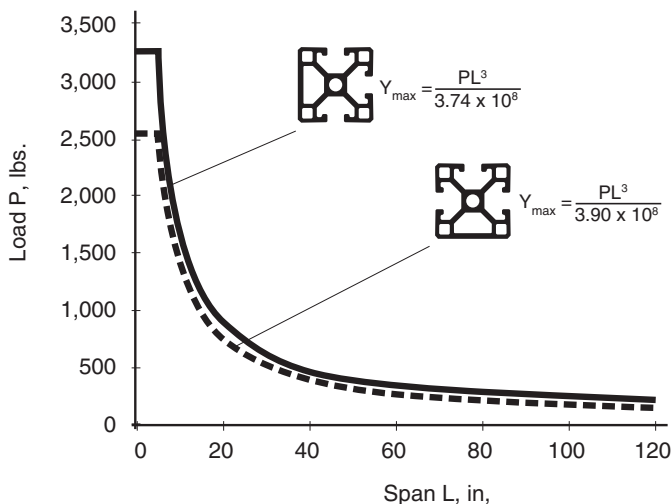
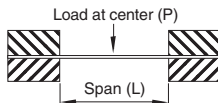
- Finish = Clear anodized
- Material = 6105-T5 Aluminum
- Est. Area = .833 Sq. In.
- Weight/ft = .980 lbs.
- 96", 192.63" Lengths standard.

Section Properties:

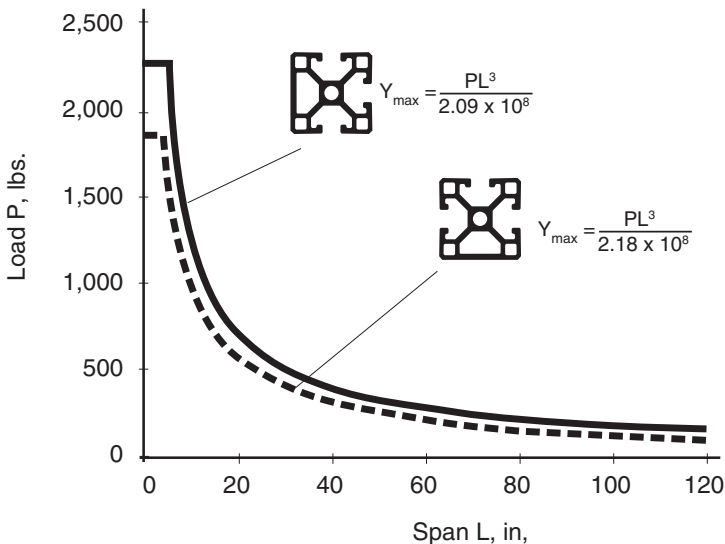
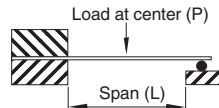
Moment of Intertia in ⁴	0.195	0.203
Section modulus in ³	0.260	0.267



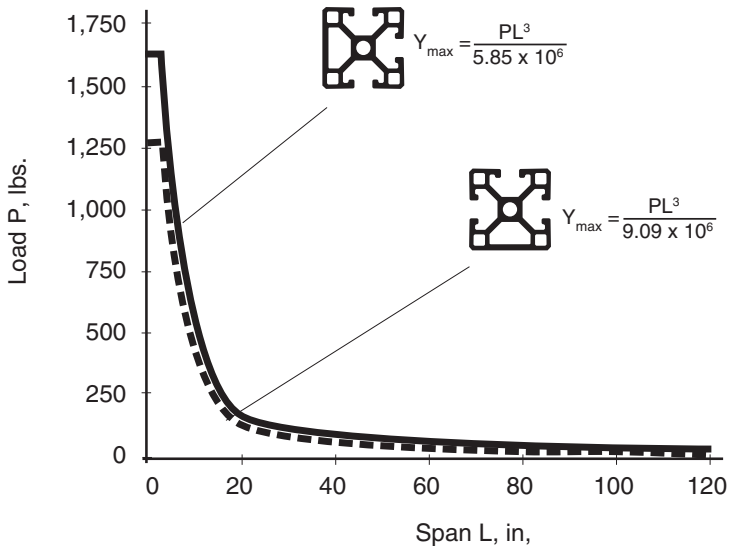
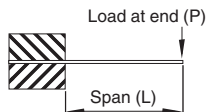
Load condition:
Fixed at both ends, load at center
Deflection = y (inches)



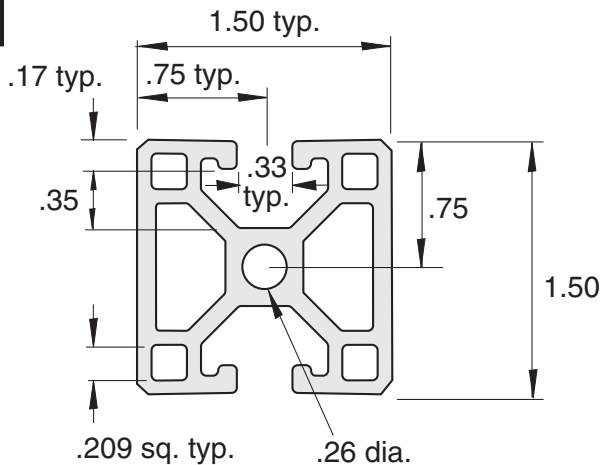
Load condition:
Fixed at one end, sliding at one end,
load at center
Deflection = Y (inches)



Load condition:
Fixed at one end,
load at unsupported end
Deflection = Y (inches)



EX-64



- Finish = Clear anodized
- Material = 6105-T5 Aluminum
- Est. Area = .849 Sq. In.
- Weight/ft = .998 lbs
- 96", 192.63" Lengths standard.

Section Properties:

Moment of Intertia in⁴
Section modulus in³

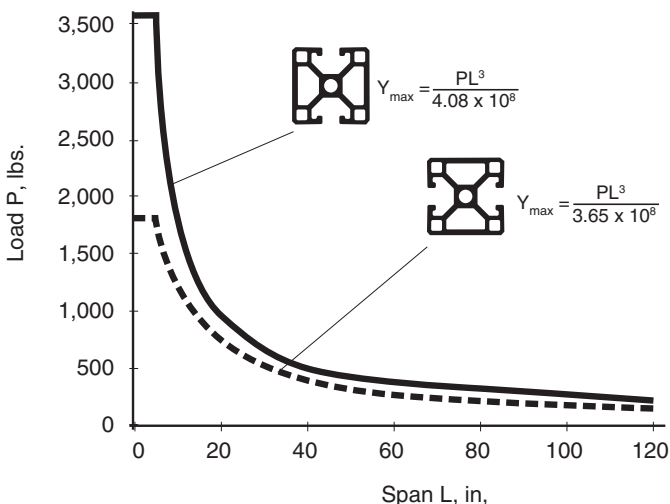
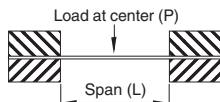


0.190
0.253

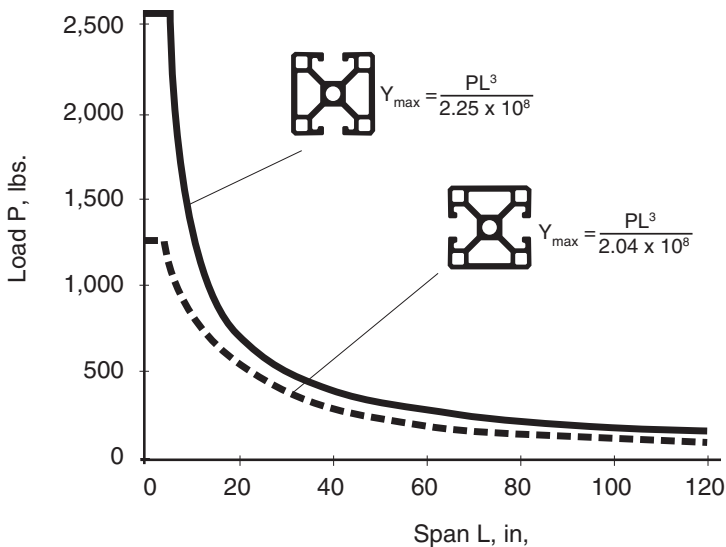
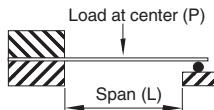


0.210
0.280

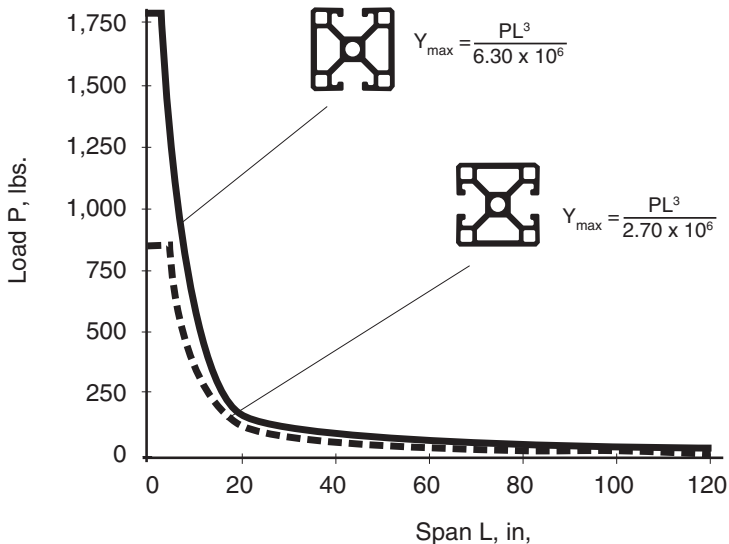
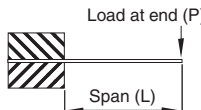
Load condition:
Fixed at both ends, load at center
Deflection = y (inches)



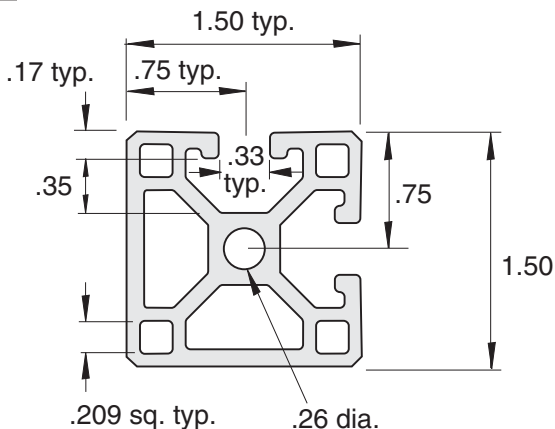
Load condition:
Fixed at one end, sliding at one end,
load at center
Deflection = Y (inches)



Load condition:
Fixed at one end,
load at unsupported end
Deflection = Y (inches)



EX-65



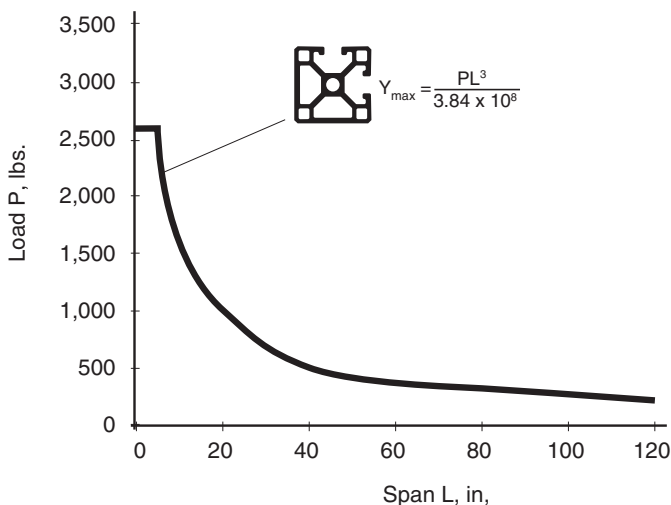
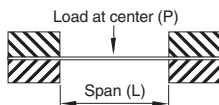
- Finish = Clear anodized
- Material = 6105-T5 Aluminum
- Est. Area = .849 Sq. In.
- Weight/ft = .998 lbs.
- 96", 192.63" Lengths standard.

Section Properties:



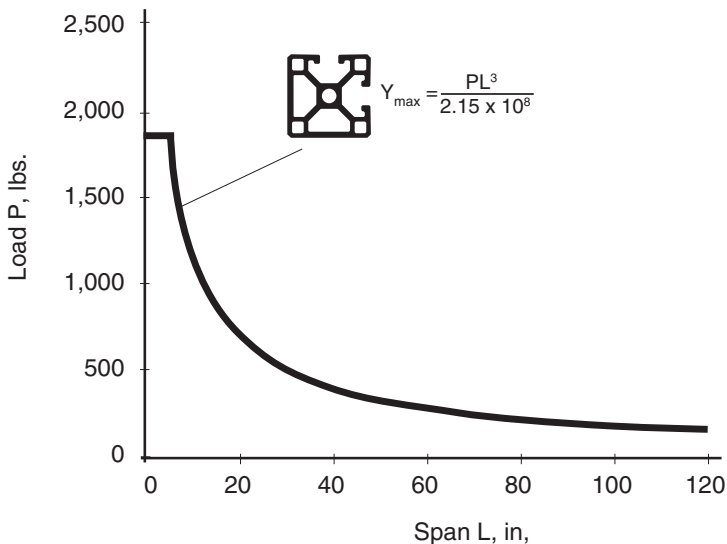
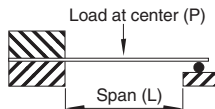
Moment of Inertia in⁴ 0.200
 Section modulus in³ 0.267

Load condition:
 Fixed at both ends, load at center
 Deflection = y (inches)

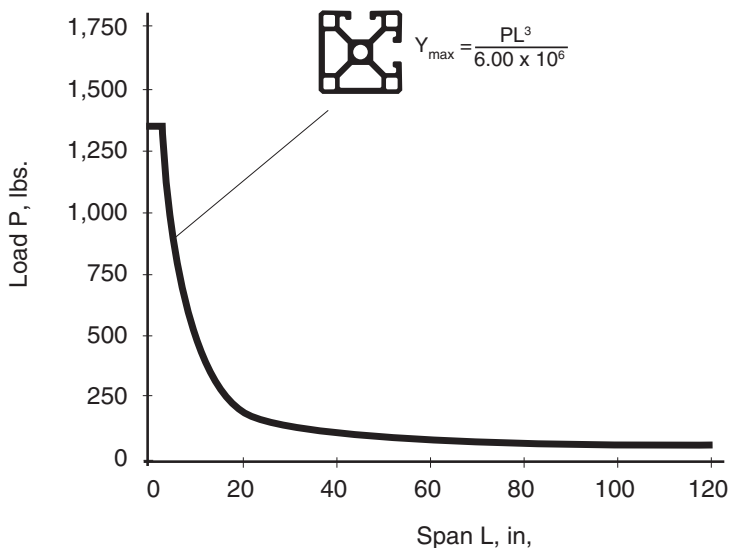
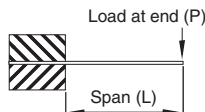


TECHNICAL

Load condition:
Fixed at one end, sliding at one end,
load at center
Deflection = Y (inches)

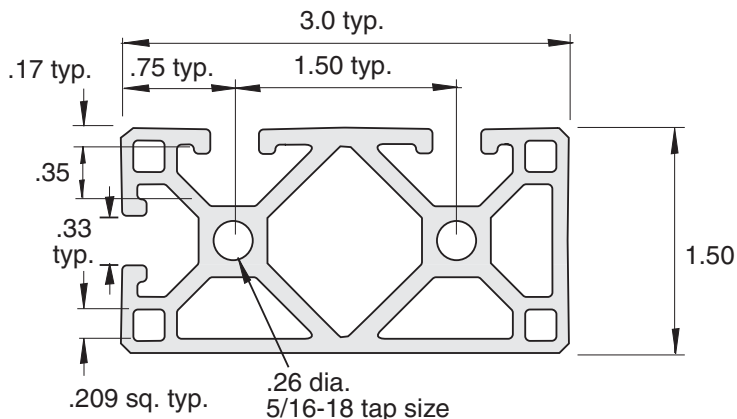


Load condition:
Fixed at one end,
load at unsupported end
Deflection = Y (inches)



TECHNICAL

EX-66



- Finish = Clear anodized
- Material = 6105-T5 Aluminum
- Est. Area = 1.559 Sq. In.
- Weight/ft = 1.833 lbs.
- 96", 192.63" Lengths standard.

Section Properties:

Moment of Inertia in⁴

Section modulus in³



1.385

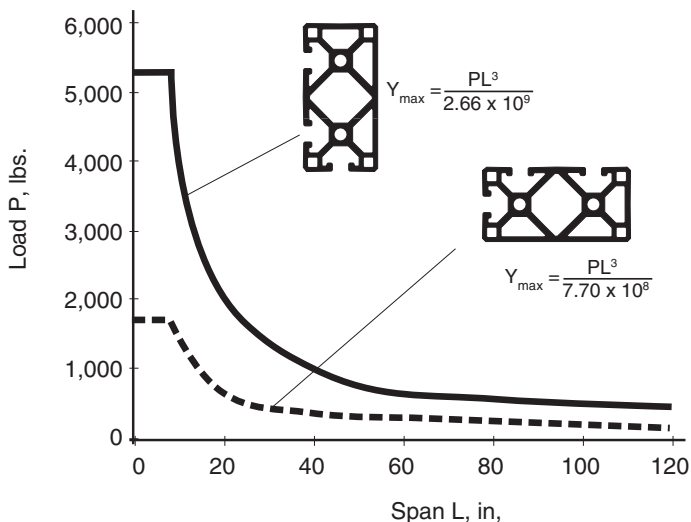
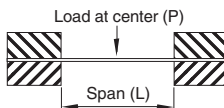
0.923



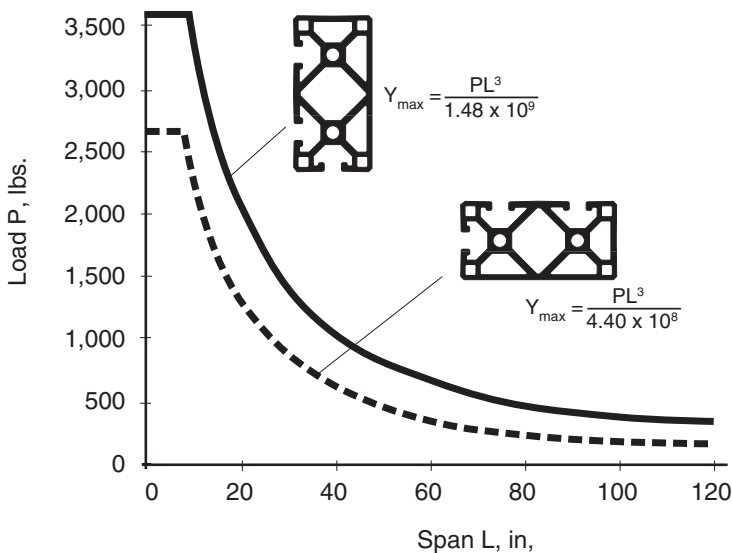
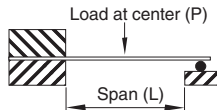
0.401

0.535

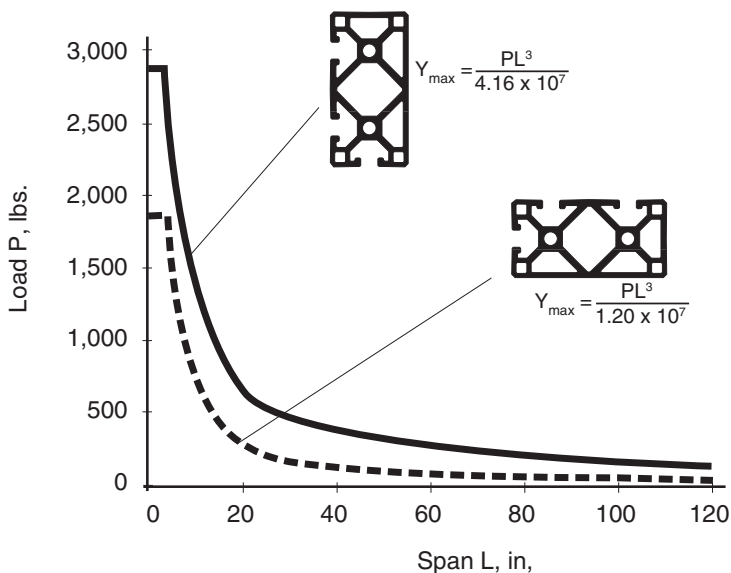
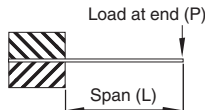
Load condition:
Fixed at both ends, load at center
Deflection = y (inches)



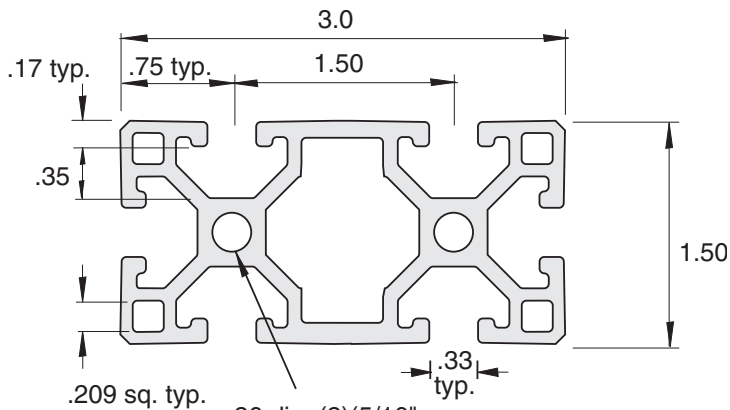
Load condition:
Fixed at one end, sliding at one end,
load at center
Deflection = Y (inches)



Load condition:
Fixed at one end,
load at unsupported end
Deflection = Y (inches)



EX-67

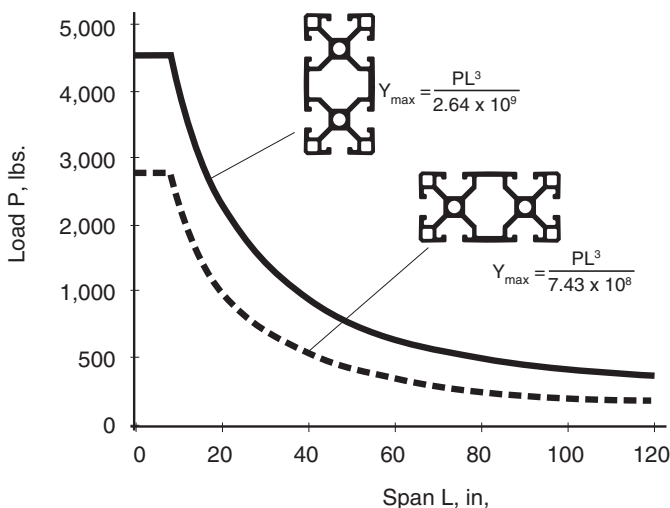
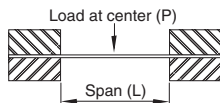


- Finish = Clear anodized
- Material = 6105-T5 Aluminum
- Est. Area = 1.569 Sq. In.
- Weight/ft = 1.845 lbs
- 96", 144.25", 192.63" Lengths standard.

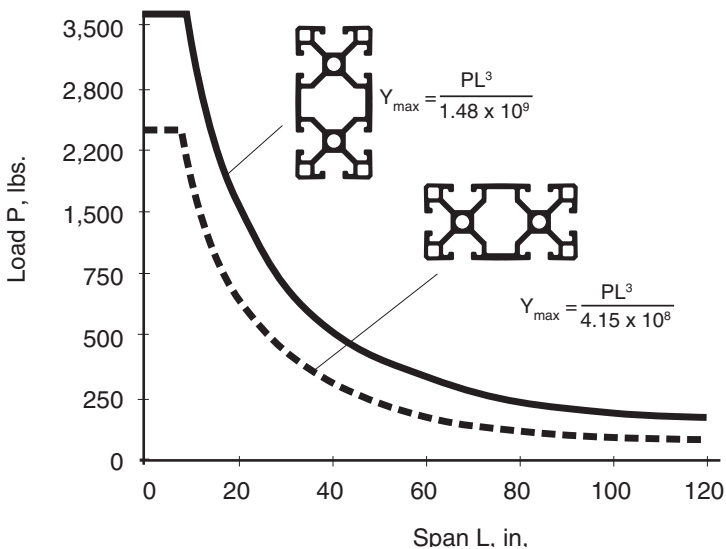
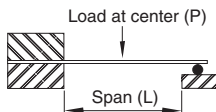
Section Properties:

Moment of Intertia in ⁴	1.376	0.387
Section modulus in ³	0.917	0.516

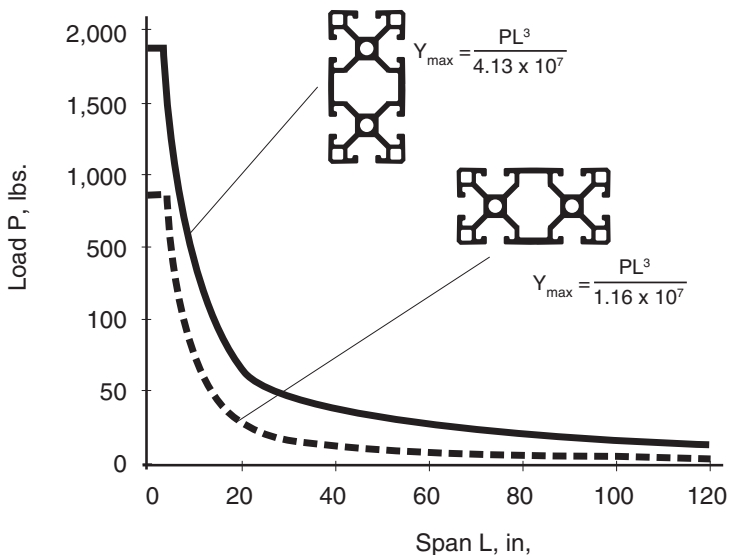
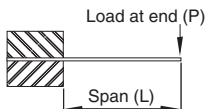
Load condition:
Fixed at both ends, load at center
Deflection = y (inches)



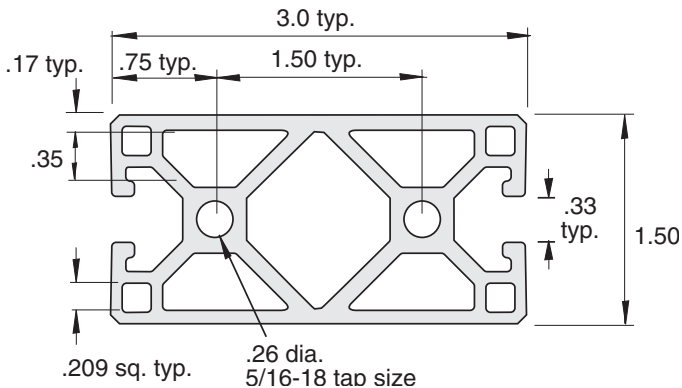
Load condition:
Fixed at one end, sliding at one end,
load at center
Deflection = Y (inches)



Load condition:
Fixed at one end,
load at unsupported end
Deflection = Y (inches)



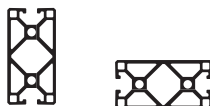
EX-68



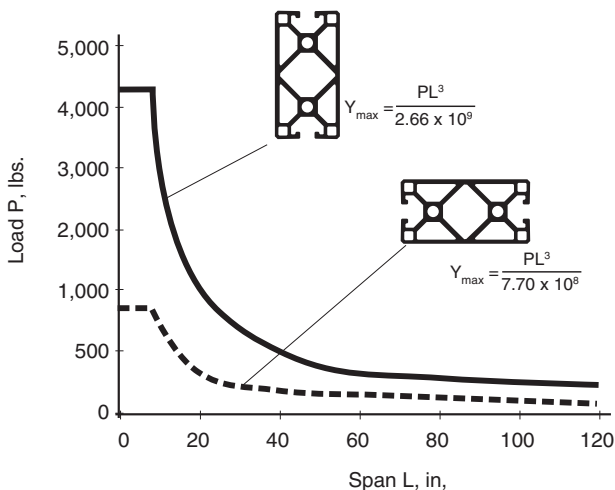
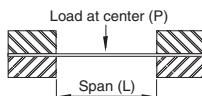
- Finish = Clear anodized
- Material = 6105-T5 Aluminum
- Est. Area = 1.599 Sq. In.
- Weight/ft = 1.880 lbs.
- 96", 192.63" Lengths standard.

Section Properties:

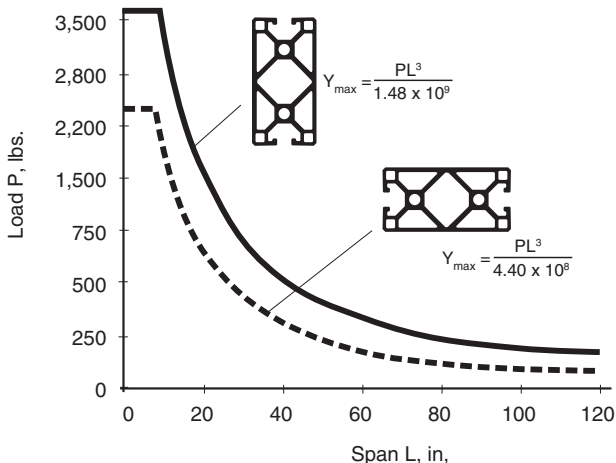
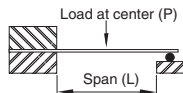
Moment of Intertia in ⁴	1.385	0.401
Section modulus in ³	0.923	0.535



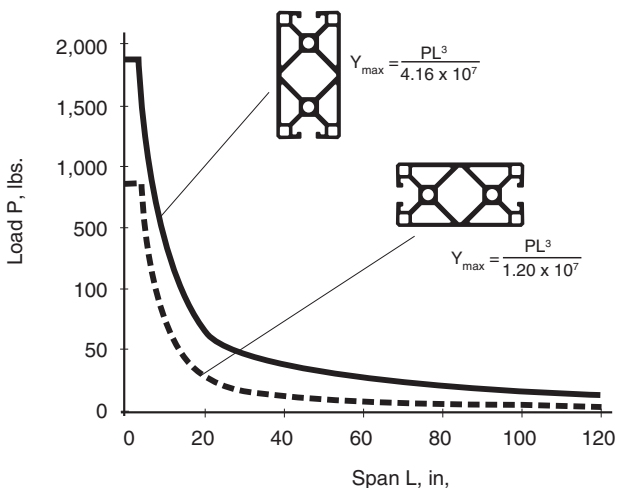
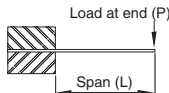
Load condition:
Fixed at both ends, load at center
Deflection = y (inches)



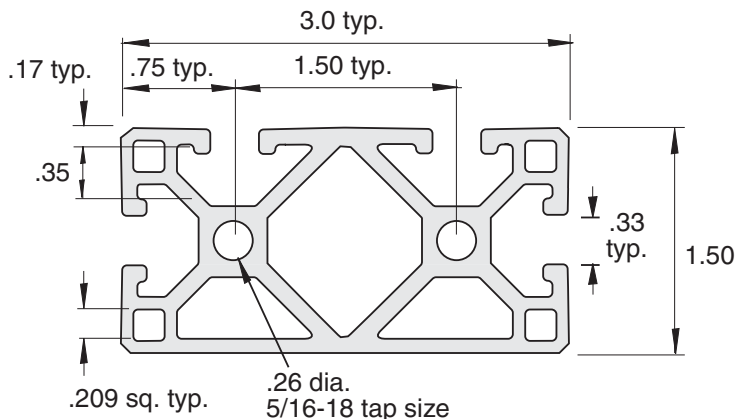
Load condition:
Fixed at one end, sliding at one end,
load at center
Deflection = Y (inches)



Load condition:
Fixed at one end,
load at unsupported end
Deflection = Y (inches)



EX-69



- Finish = Clear anodized
- Material = 6105-T5 Aluminum
- Est. Area = 1.554 Sq. In.
- Weight/ft = 1.828 lbs.
- 96", 192.63" Lengths standard.

Section Properties:

Moment of Inertia in⁴

Section modulus in³



1.385

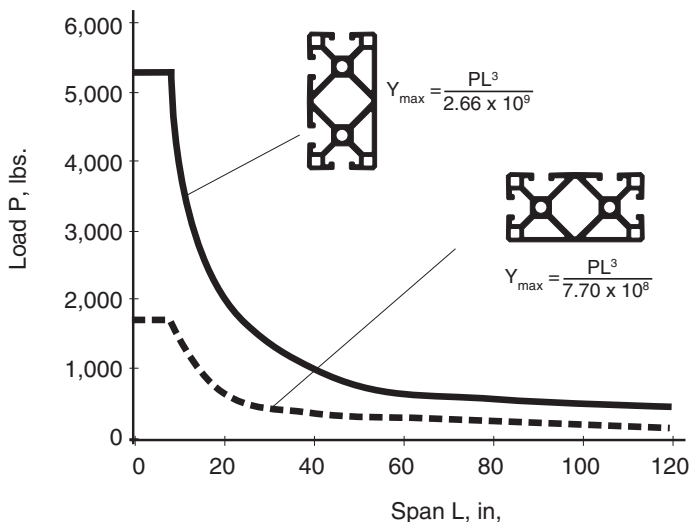
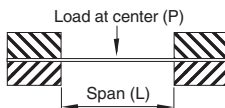
0.923



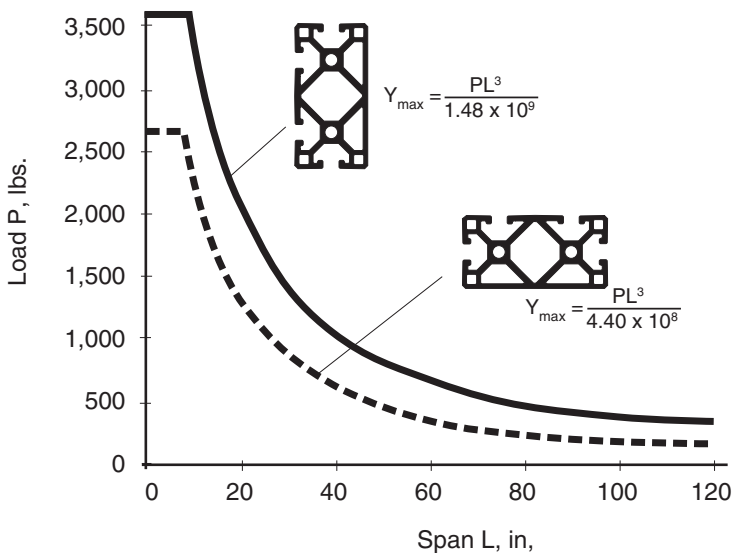
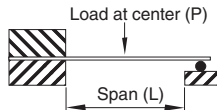
0.401

0.535

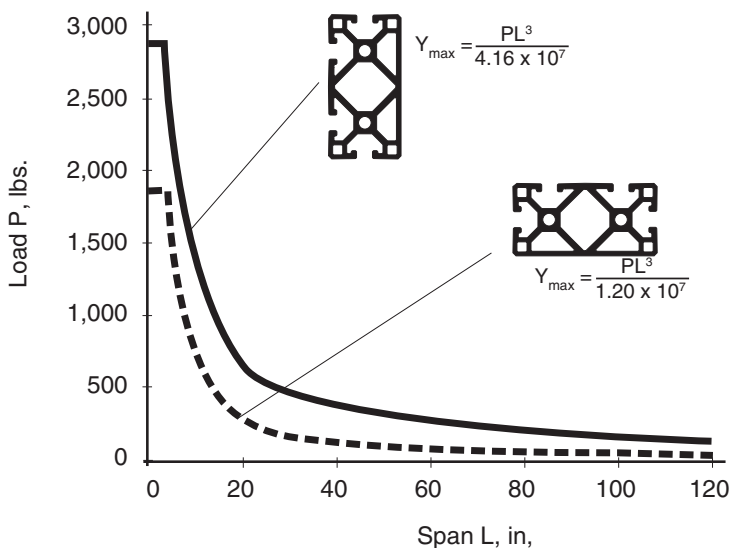
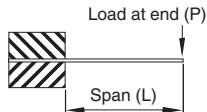
Load condition:
Fixed at both ends, load at center
Deflection = y (inches)



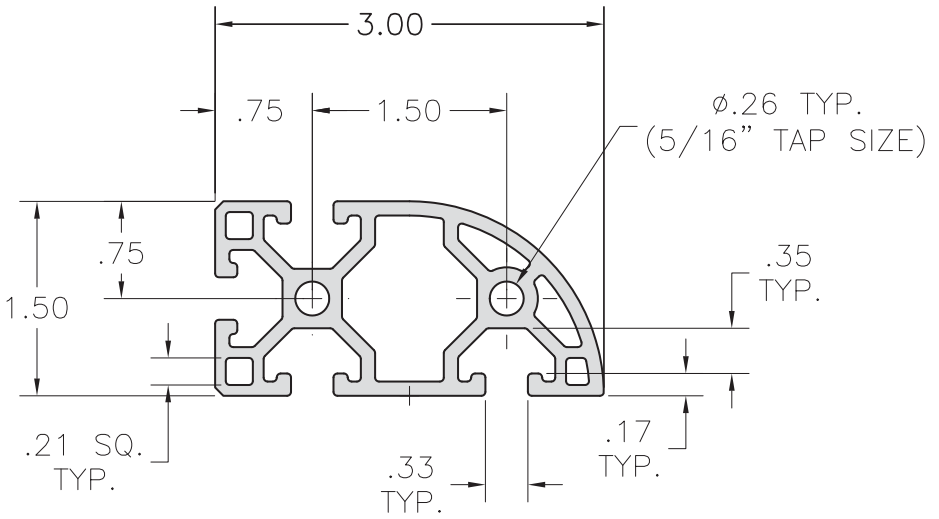
Load condition:
Fixed at one end, sliding at one end,
load at center
Deflection = Y (inches)



Load condition:
Fixed at one end,
load at unsupported end
Deflection = Y (inches)



EX-83



Finish: Clear Anodize
 Material: 6105-T6 Aluminum
 Est. Area: 1.464 Sq In.
 Wt./Ft. 1.722 lbs.
 Std. Length: 144.25"

Section Properties:
 Moment of Inertia in⁴
 Section Modulus in³

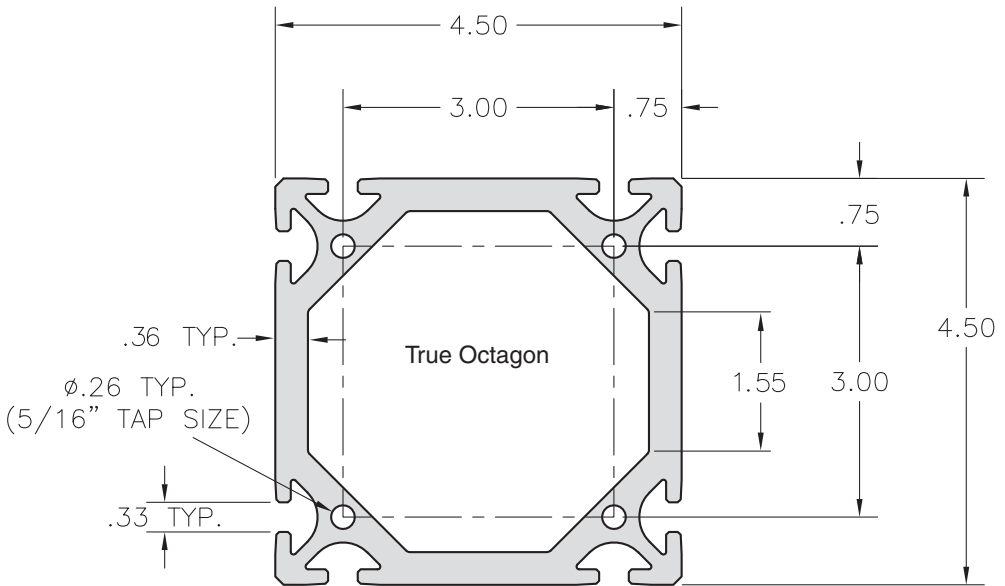


1.229
0.779



0.338
0.424

EX-45HD



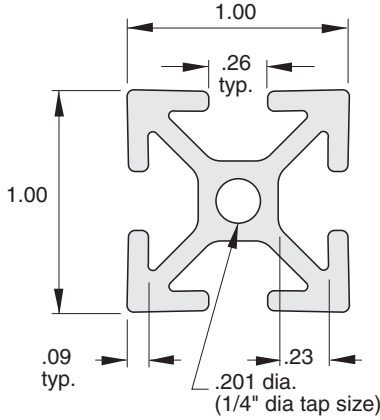
Finish: Mill Finish
 Material: 6105-T6 Aluminum
 Est. Area: 6.330 Sq In.
 Wt./Ft. 7.445 lbs.
 Std. Length: 192.63"
 Special cut charge required for
 non-standard length (EM-1-EX45)

Section Properties:
 Moment of Inertia in⁴
 Section Modulus in³



16.4
 6.56

EX-11

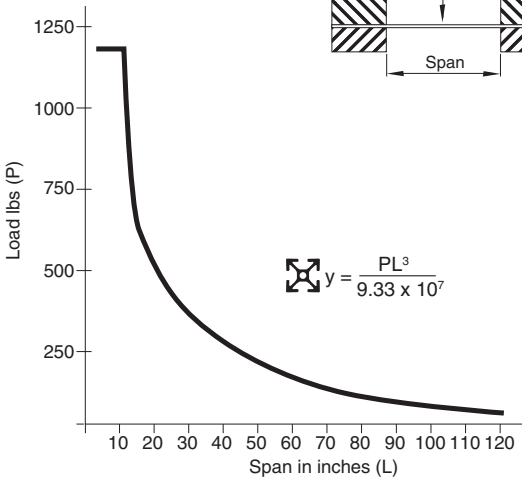
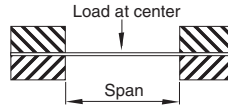


- Finish = Clear anodized
- Material = 6105-T5 Aluminum
- Est. Area = .451 Sq. In.
- Weight/ft = .530 lbs.
- 96", 144.25", 192.63" Lengths standard.

Section Properties:

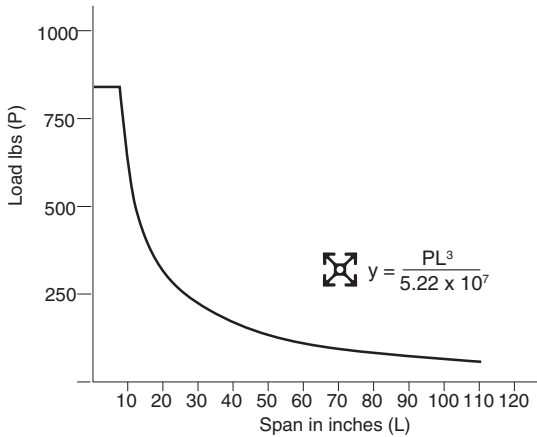
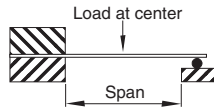
Moment of Intertia in⁴ .049
 Section modulus in³ .097

Load condition:
 Fixed at both ends, load at center
 Deflection = y (inches)

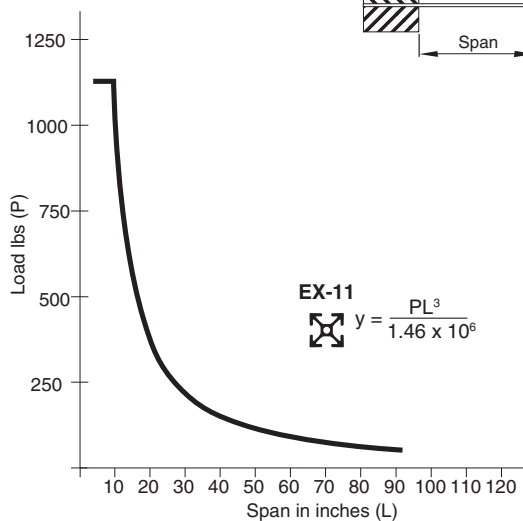
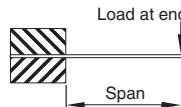


EX-11

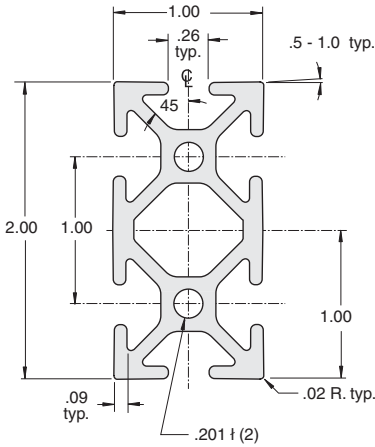
Load condition:
Fixed at one end, sliding at one end,
load at center
Deflection = Y (inches)



Load condition:
Fixed at one end,
load at unsupported end
Deflection = Y (inches)



EX-12



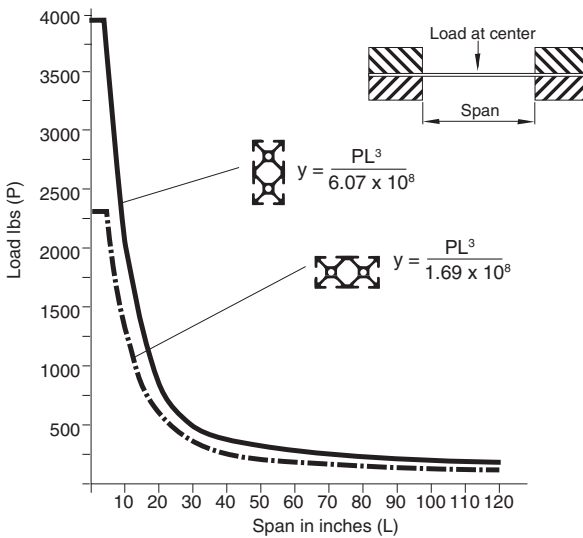
- Finish = Clear anodized
- Material = 6105-T5 Aluminum
- Est. Area = .807 Sq. In.
- Weight/ft = .949 lbs.
- 96", 192.63" Lengths standard.

Section Properties:

Moment of Intertia in ⁴	.316	.088
Section modulus in ³	.316	.176

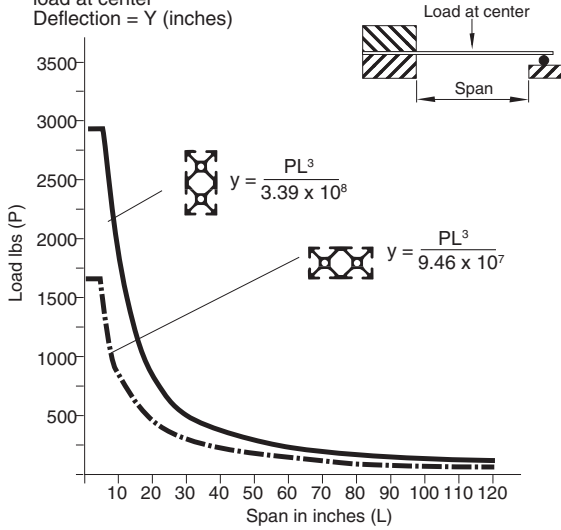


Load condition:
Fixed at both ends, load at center
Deflection = y (inches)

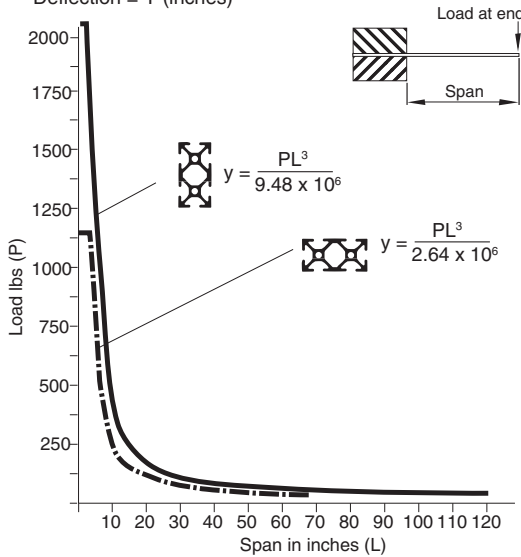


EX-12

Load condition:
Fixed at one end, sliding at one end,
load at center
Deflection = Y (inches)

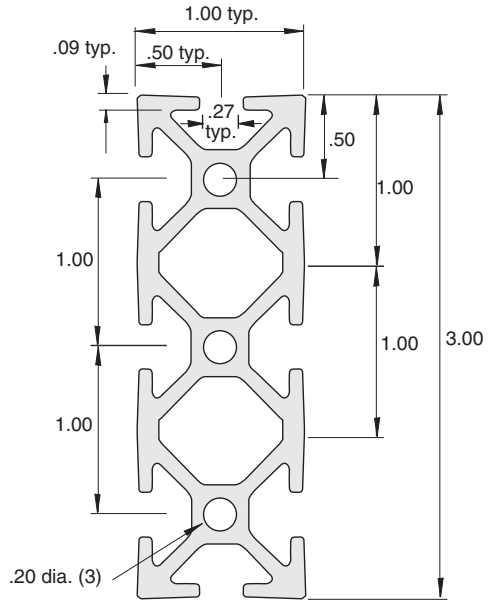


Load condition:
Fixed at one end,
load at unsupported end
Deflection = Y (inches)



EX-13

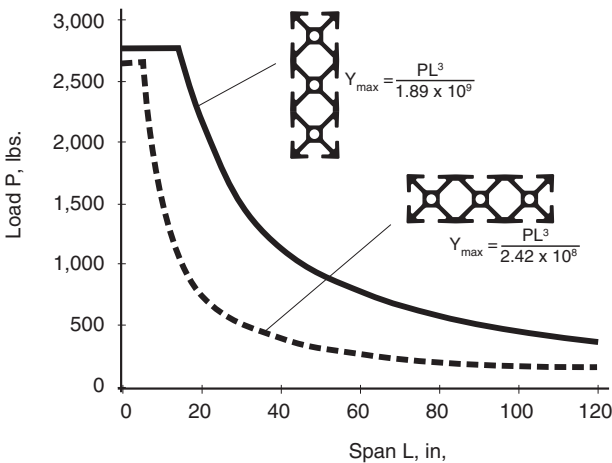
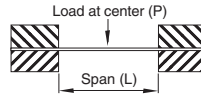
- Finish = Clear anodized
- Material = 6105-T5 Aluminum
- Est. Area = 1.162 Sq. In.
- Weight/ft = 1.367 lbs.
- 96", 192.63" Lengths standard.



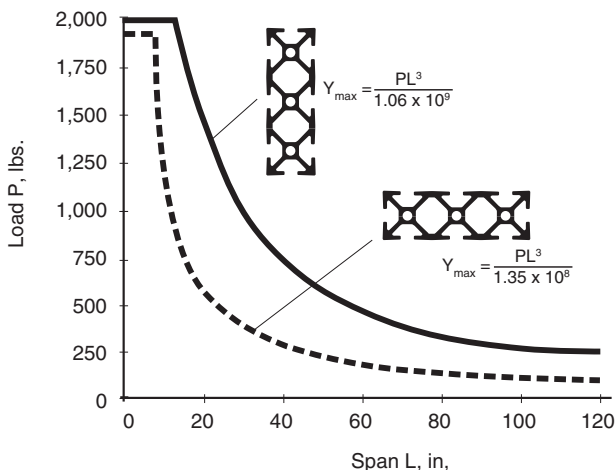
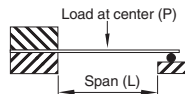
Section Properties:

Moment of Intertia in ⁴	1.376	0.387
Section modulus in ³	0.917	0.516

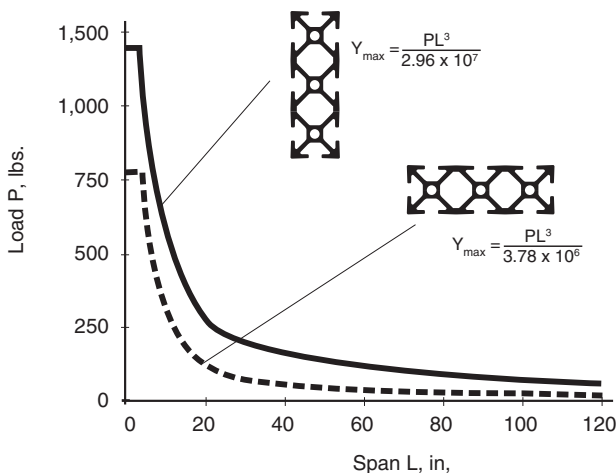
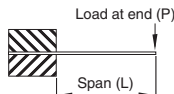
Load condition:
Fixed at both ends, load at center
Deflection = y (inches)



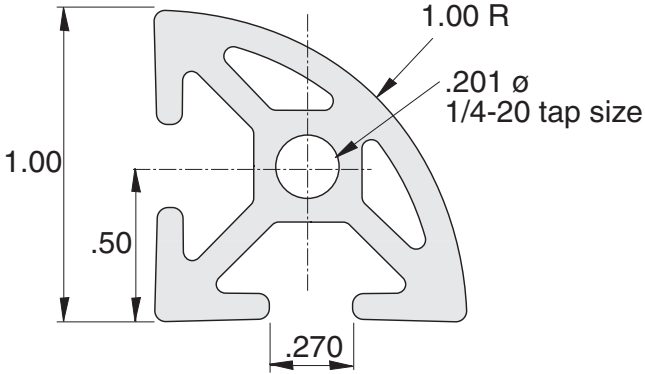
Load condition:
Fixed at one end, sliding at one end,
load at center
Deflection = Y (inches)



Load condition:
Fixed at one end,
load at unsupported end
Deflection = Y (inches)



EX-14

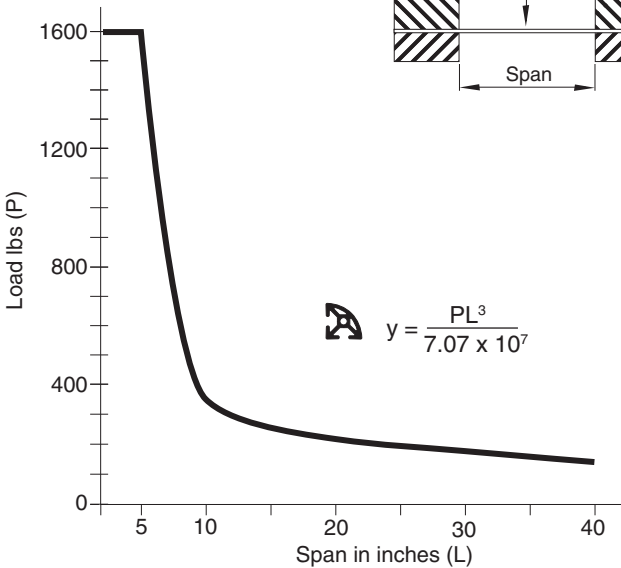
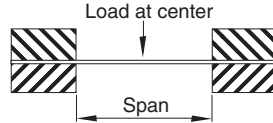


- Finish = Clear anodized
- Material = 6105-T6 Aluminum
- Est. Area = .438 Sq. In.
- Weight/ft = .515 lbs.
- 96", 192.63" Lengths standard.

Section Properties:

Moment of Intertia in⁴ .037
 Section modulus in³ .068

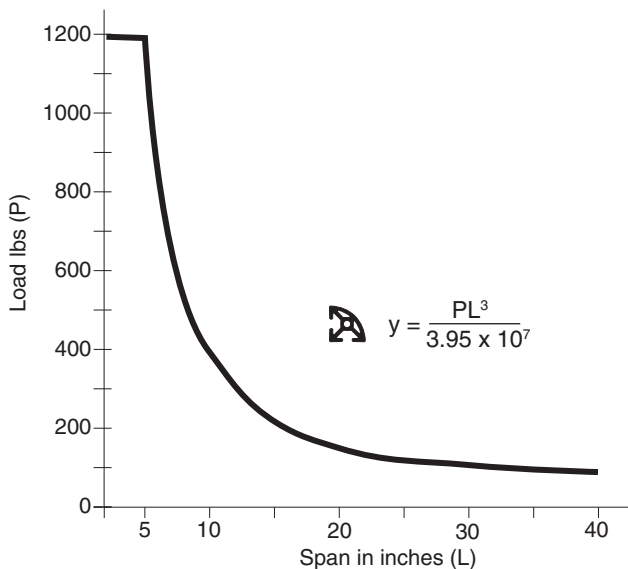
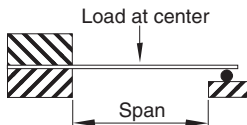
Load condition:
 Fixed at both ends, load at center
 Deflection = y (inches)



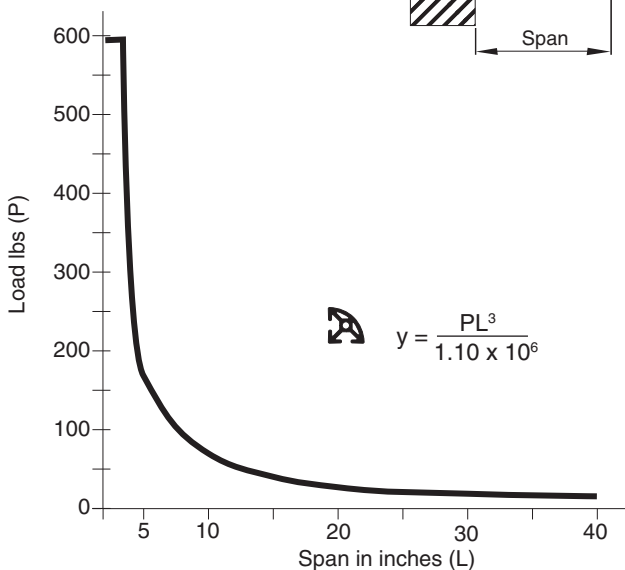
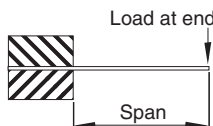
TECHNICAL

EX-14

Load condition:
Fixed at one end, sliding at one end,
load at center
Deflection = Y (inches)

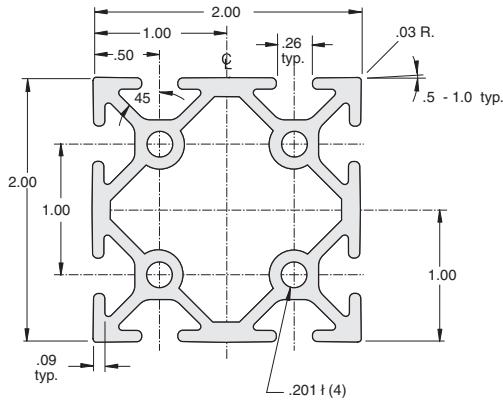


Load condition:
Fixed at one end,
load at unsupported end
Deflection = Y (inches)



TECHNICAL

EX-22

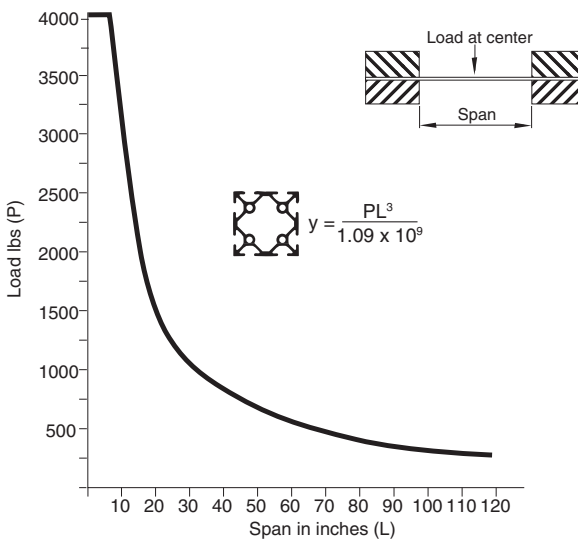


- Finish = Clear anodized
- Material = 6105-T5 Aluminum
- Est. Area = 1.249 Sq. In.
- Weight/ft = 1.468 lbs.
- 96", 192.63" Lengths standard.

Section Properties:

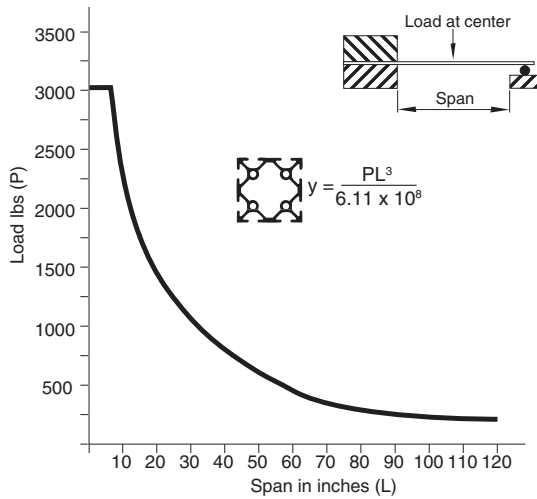
Moment of Inertia in ⁴	.569
Section modulus in ³	.569

Load condition:
Fixed at both ends, load at center
Deflection = y (inches)

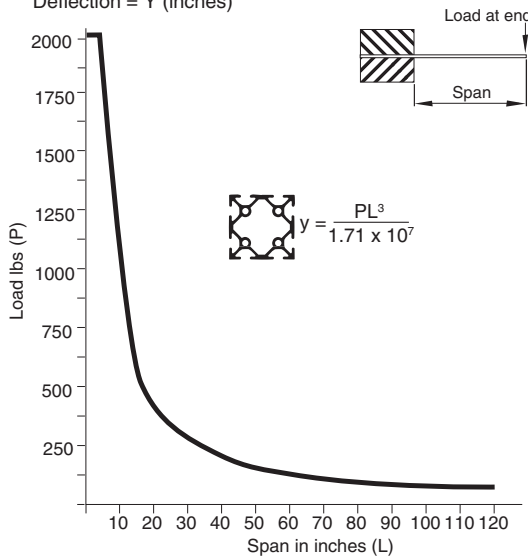


EX-22

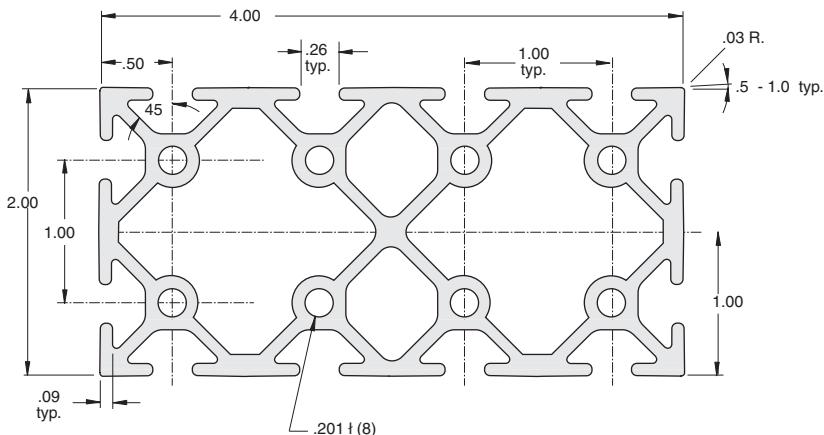
Load condition:
Fixed at one end, sliding at one end,
load at center
Deflection = Y (inches)



Load condition:
Fixed at one end,
load at unsupported end
Deflection = Y (inches)



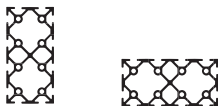
EX-24



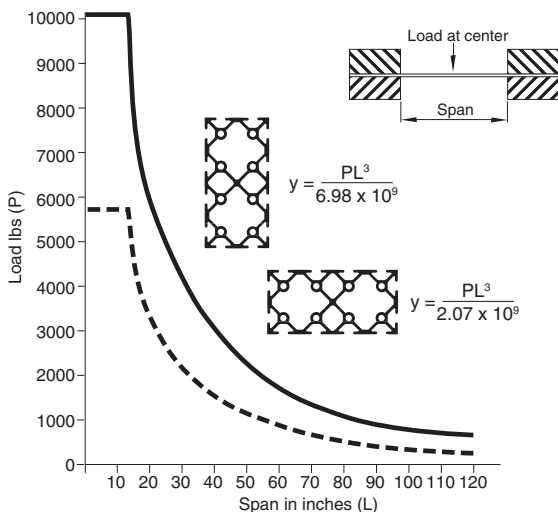
- Finish = Clear anodized
- Material = 6063-T6HT Aluminum
- Est. Area = 2.352 Sq. In.
- Weight/ft = 2.766 lbs.
- 96", 192.63" Lengths standard.

Section Properties:

Moment of Intertia in ⁴	3.634	1.078
Section modulus in ³	1.817	1.078

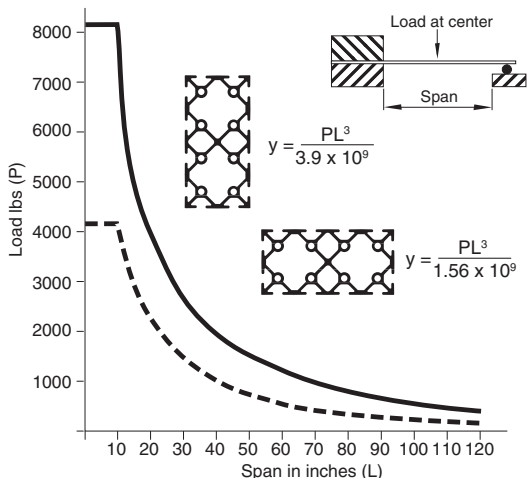


Load condition:
Fixed at both ends, load at center
Deflection = y (inches)

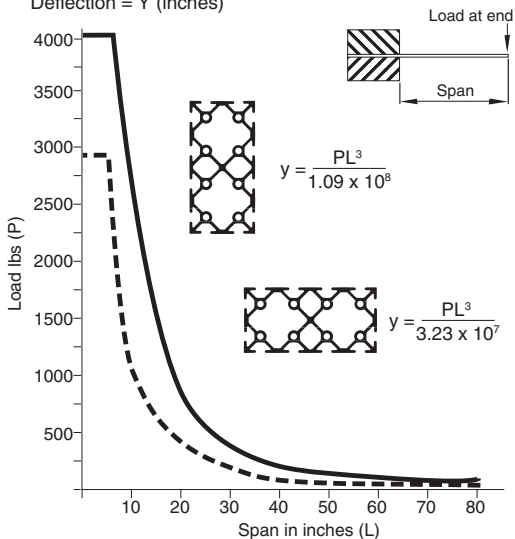


TECHNICAL

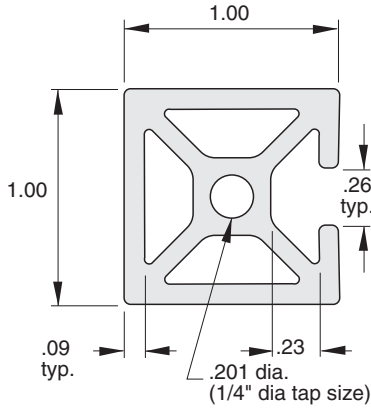
Load condition:
Fixed at one end, sliding at one end,
load at center
Deflection = Y (inches)



Load condition:
Fixed at one end,
load at unsupported end
Deflection = Y (inches)



EX-70



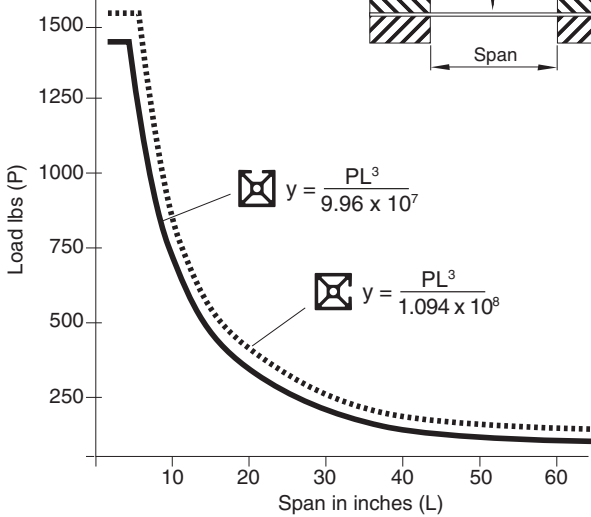
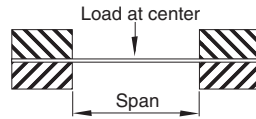
- Finish = Clear anodized
- Material = 6105-T5 Aluminum
- Est. Area = .451 Sq. In.
- Weight/ft = .576 lbs.
- 96", 192.63" Lengths standard.

Section Properties:

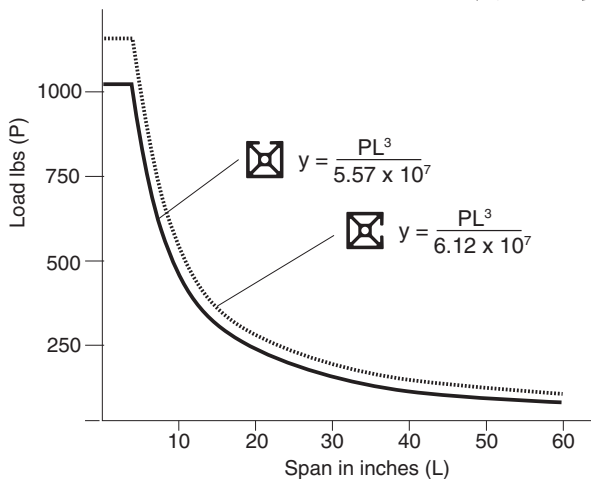
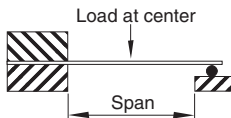
Moment of Intertia in ⁴	.057	.052
Section modulus in ³	.114	.099



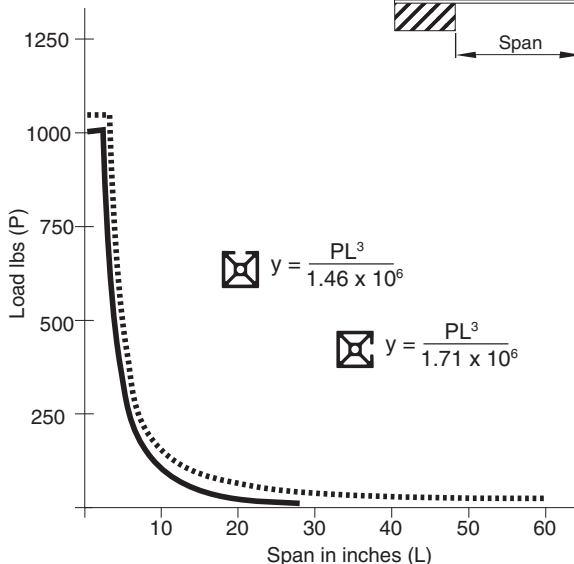
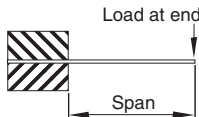
Load condition:
Fixed at both ends, load at center
Deflection = y (inches)



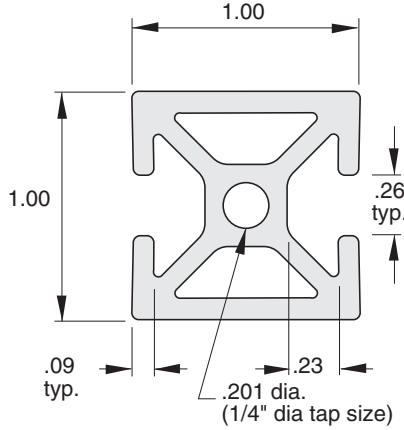
Load condition:
Fixed at one end, sliding at one end,
load at center
Deflection = Y (inches)



Load condition:
Fixed at one end,
load at unsupported end
Deflection = Y (inches)



EX-71



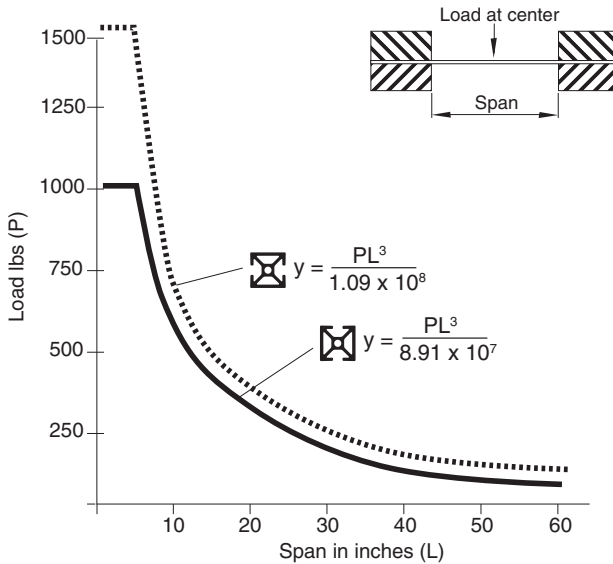
- Finish = Clear anodized
- Material = 6105-T5 Aluminum
- Est. Area = .451 Sq. In.
- Weight/ft = .550 lbs.
- 96", 192.63" Lengths standard.

Section Properties:

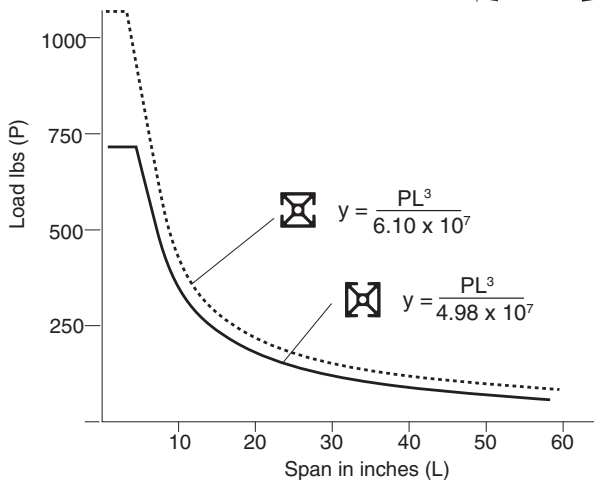
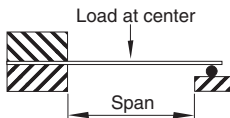
Moment of Intertia in ⁴	.057	.046
Section modulus in ³	.114	.093



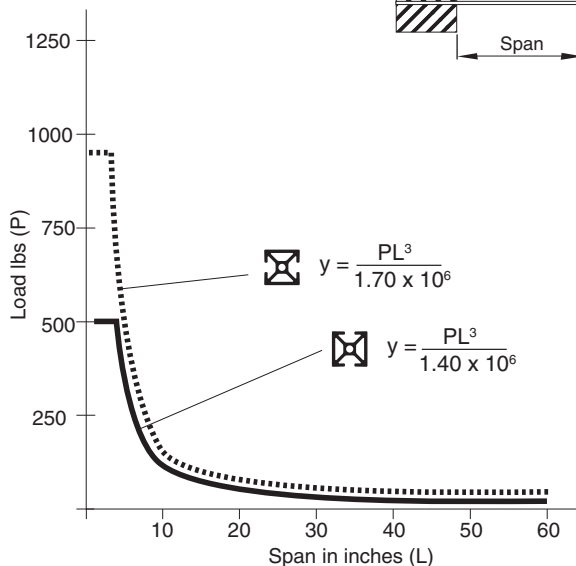
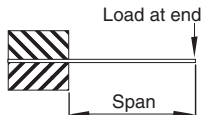
Load condition:
Fixed at both ends, load at center
Deflection = y (inches)



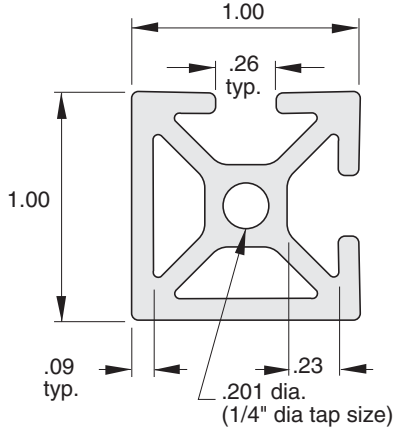
Load condition:
Fixed at one end, sliding at one end,
load at center
Deflection = Y (inches)



Load condition:
Fixed end at one end,
load at unsupported end
Deflection = Y (inches)



EX-72

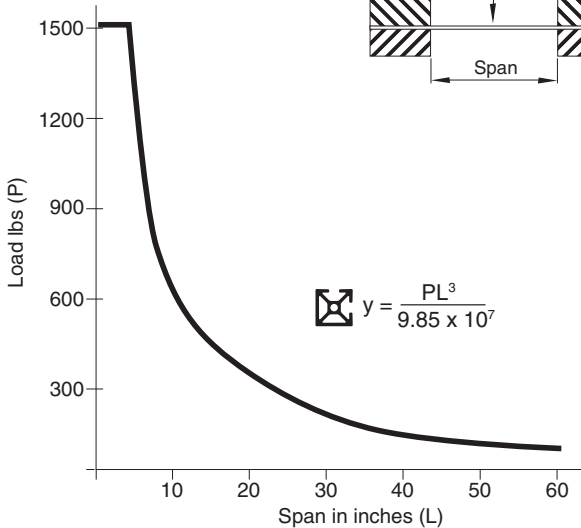
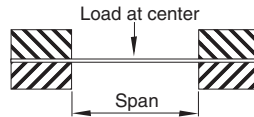


- Finish = Clear anodized
- Material = 6105-T5 Aluminum
- Est. Area = .451 Sq. In.
- Weight/ft = .546 lbs.
- 96", 192.63" Lengths standard.

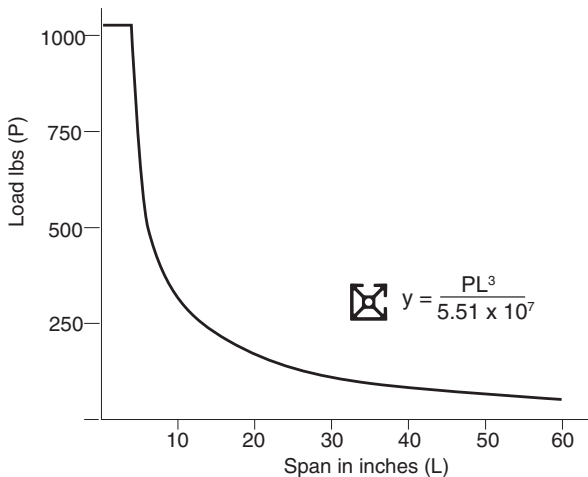
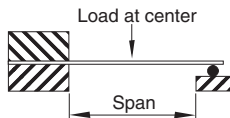
Section Properties:

Moment of Intertia in⁴ .051
 Section modulus in³ .098

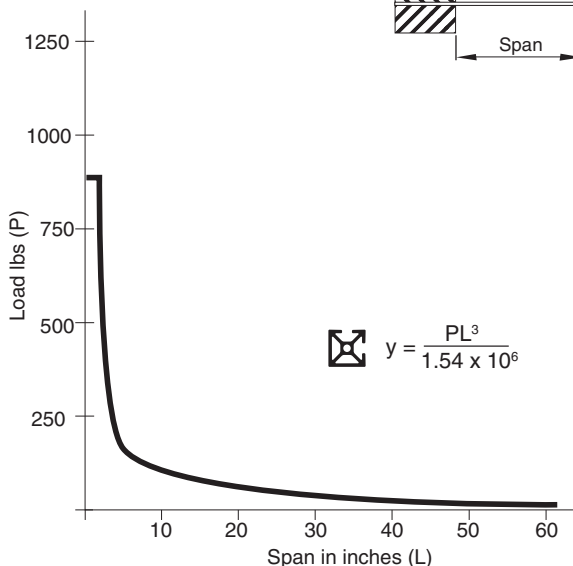
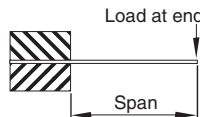
Load condition:
 Fixed at both ends, load at center
 Deflection = y (inches)



Load condition:
Fixed at one end, sliding at one end,
load at center
Deflection = Y (inches)

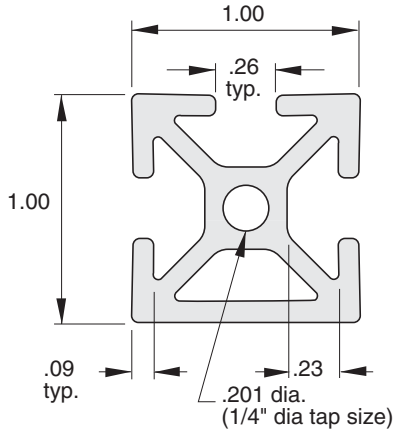


Load condition:
Fixed at one end,
load at unsupported end
Deflection = Y (inches)



TECHNICAL

EX-73



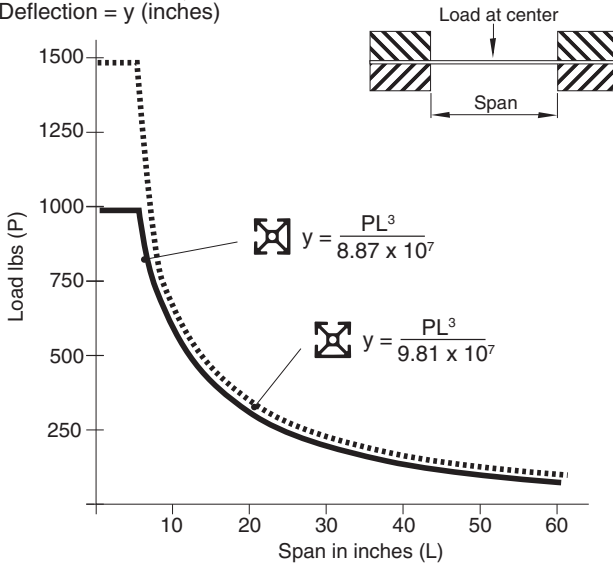
- Finish = Clear anodized
- Material = 6105-T5 Aluminum
- Est. Area = .451 Sq. In.
- Weight/ft = .523 lbs.
- 96", 192.63" Lengths standard.

Section Properties:

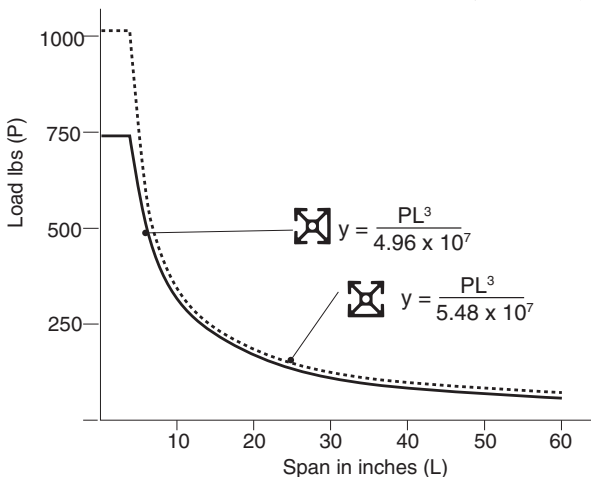
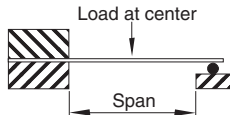
Moment of Intertia in ⁴	.051	.046
Section modulus in ³	.099	.092



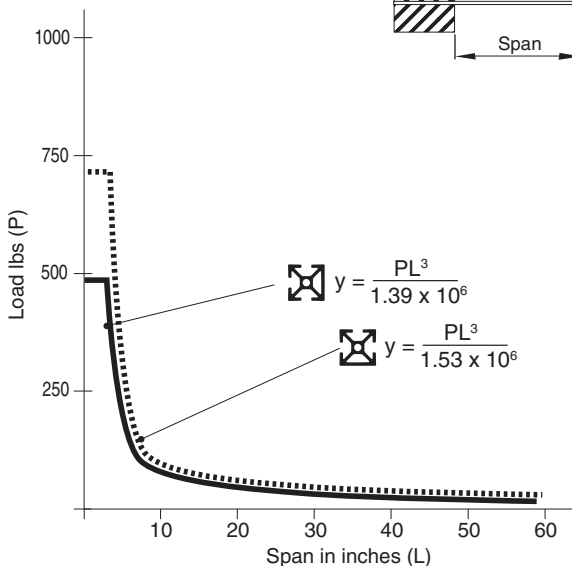
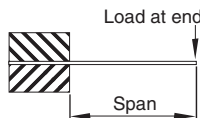
Load condition:
Fixed at both ends, load at center
Deflection = y (inches)



Load condition:
Fixed at one end, sliding at one end,
load at center
Deflection = Y (inches)



Load condition:
Fixed at one end,
load at unsupported end
Deflection = Y (inches)

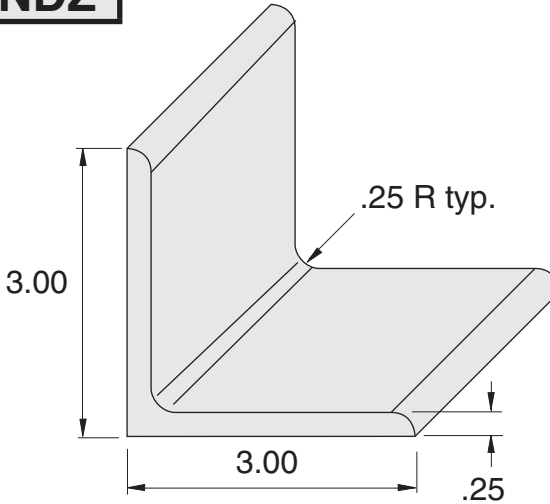


FRAME-WORLD's blank angle bracket profiles are made from aluminum and are provided with a standard mill finish. Clear anodized finish is also available. They are stocked in 8 ft. and 12 ft. lengths.

EX-15

EX-15-ANDZ

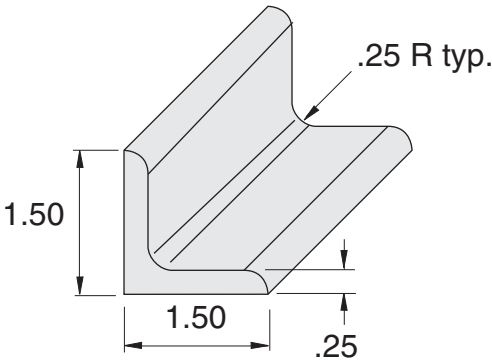
1.68 lb/ft



EX-16

EX-16-ANDZ

.81 lb/ft

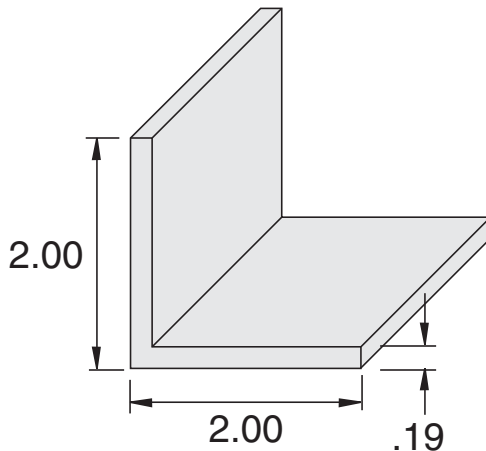


For special lengths, consult the factory.

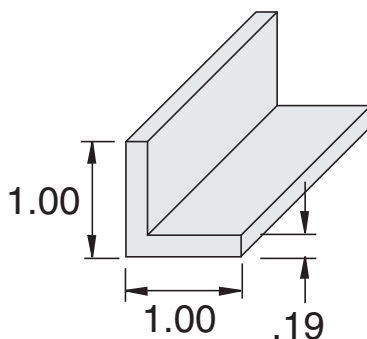
FRAME-WORLD's blank angle bracket profiles are made from aluminum and are provided with a standard mill finish. Clear anodized finish is also available. They are stocked in 8 ft. and 12 ft. lengths.

EX-17**EX-17-ANDZ**

.83 lb/ft

**EX-18****EX-18-ANDZ**

.40 lb/ft



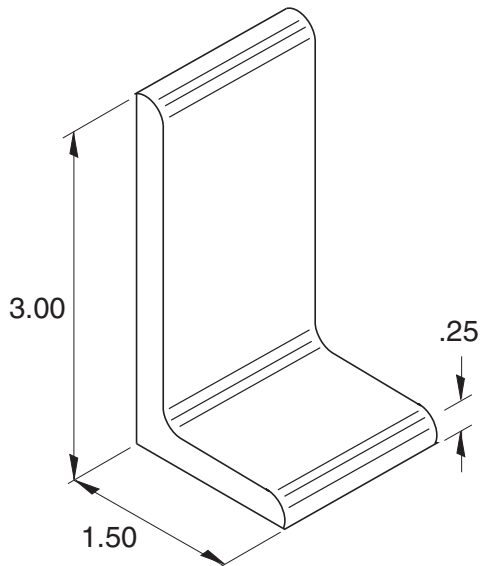
For special lengths, consult the factory.

FRAME-WORLD Blank Angle Profiles are made from aluminum and are provided with a standard mill finish. They are stocked in 8 ft. and 12 ft. lengths

EX-34

EX-34-ANDZ

1.25 lb/ft

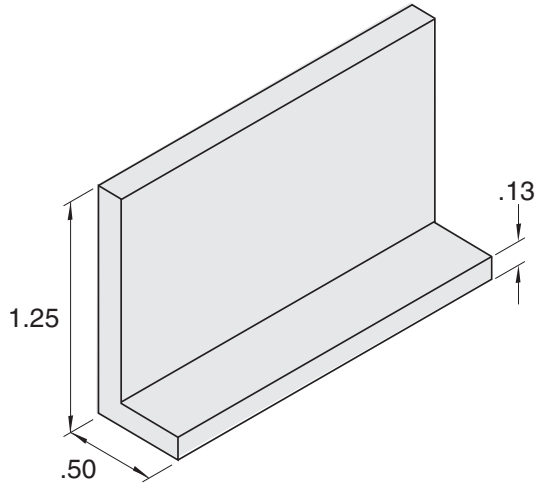


For special lengths, consult the factory.

Mill Finish

EX-53

.24 lb/ft



Standard Length 96", 192.63"

Material: Aluminum
Finish: Mill Finish

For special lengths, consult the factory.

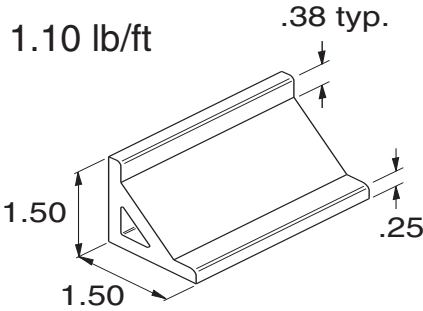
Angle Bracket Profiles



FRAME-WORLD's blank angle bracket profiles are made from aluminum and are provided with a standard mill finish. Clear anodized finish is also available. They are stocked in 8 ft. and 12 ft. lengths.

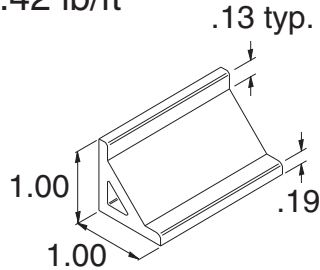
EX-30
EX-30-ANDZ

1.10 lb/ft



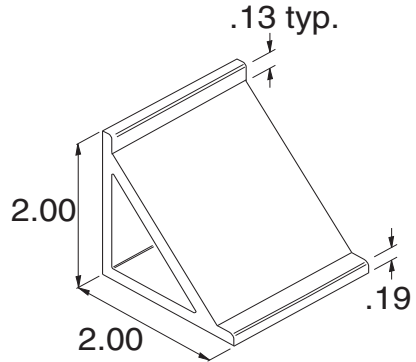
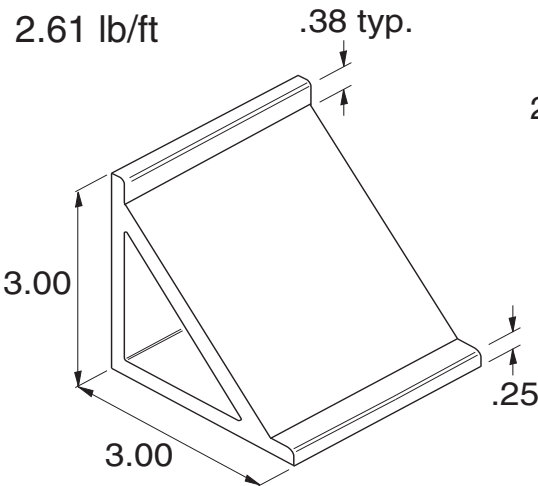
EX-32
EX-32-ANDZ

.42 lb/ft



EX-31
EX-31-ANDZ

2.61 lb/ft



EX-33
EX-33-ANDZ

1.33 lb/ft

For special lengths, consult the factory.

TECHNICAL

FRAME-WORLD can provide you with a kit that is ready to assemble. We will provide machining services such as access holes, taps, cuts and counterbores. We can also provide miter cuts and any special milling, drilling or tapping requirements that you may have.

In addition to the items within this catalog, FRAME-WORLD can also provide panels cut to size. Materials can be Acrylic (Plexiglass®), Polycarbonate (Lexan®) expanded PVC (Sintra®) or ABS (Haircell). This also includes any drilling, tapping or machining required for panel mounting.

Customized packaging is also available, such as kits for multiple quantities of the same item (i.e. frame, fixture, panel, etc.) or labeling individual components of one item.

For all special services and for any parts not shown in this catalog, please contact our Application Group.

Standard Machining Services**Part No.**

1. Cut to length 5/16" or 1/4" slot profiles
 - Any profile shape (except EX-45HD)
 - Length tolerance = +.015"
 - Squareness = .002" per inch

EM-1

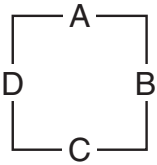
2. Cut to length EX-45HD
 - Length tolerance = +.015"
 - Squareness = .002" per inch

EM-1-EX-45

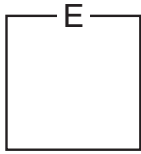
3. End hole tap
 - A. 5/16" slot profiles
 - 5/16"-18 x 1.0 deep thread
 - .260 dia. extruded hole size
 - m8 x 1.25 on request
 - B. 1/4" slot profiles
 - 1/4"-20 x .75 deep thread
 - .201 dia. extruded hole size
 - m6 x 1.0 on request

EM-2**EM-2**

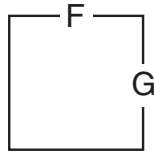
4. T-slot identification



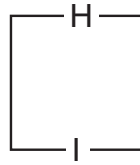
**EX-1
EX-6
EX-9
EX-11**



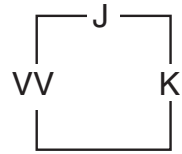
**EX-61
EX-70
EX-52**



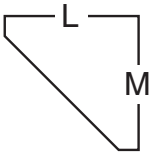
**EX-65
EX-72**



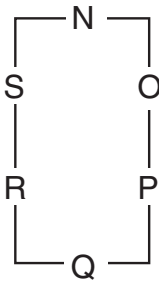
**EX-64
EX-71
EX-54**



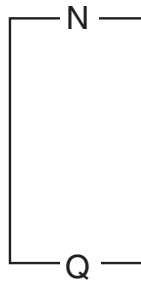
**EX-63
EX-73**



**EX-7
EX-14
EX-8
EX-82**



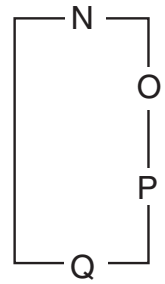
**EX-67
EX-2
EX-12**



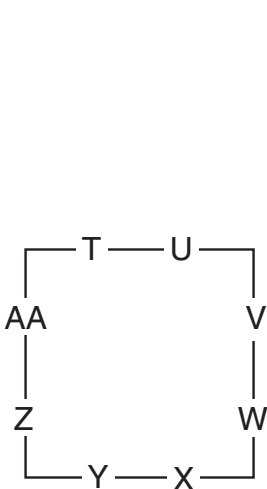
EX-68



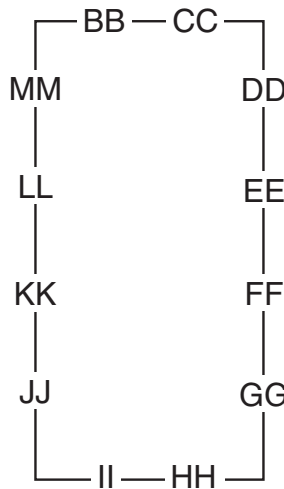
EX-66



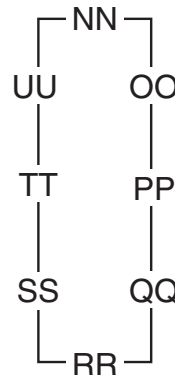
EX-69



**EX-3
EX-37
EX-22**



**EX-36
EX-24**



EX-26

Part No.

5. Access Hole Drill

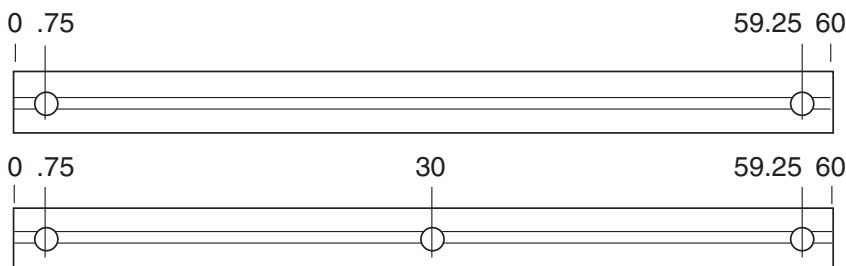
- A. For 5/16" wide slot profiles
the drill dia. = .31"
all the way through
- B. For 1/4" wide slot profiles
the drill dia. = .25"
all the way through.

EM-3

EM-3

Example:

(2) pcs EX-1 x 60.0" with EM-3's on A & B at .75 from each end and on B at 30.0"



Total EM-1 cuts = 2

Total EM-3 Drills = 10

6. C'bore or C'sink Hole Drill

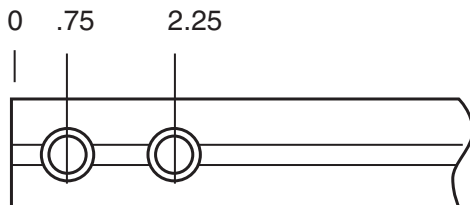
EM-3C

Specify type and location for a countersink hole in a panel or extrusion.

Example:

For a panel: Drill and C'sink for 5/16-18 FHCS per dwg (must submit sketch of panel)

For an extrusion: Drill and C'bore for 5/16-18 SHCS slot [A] @ 0.75, 2.25 from end.

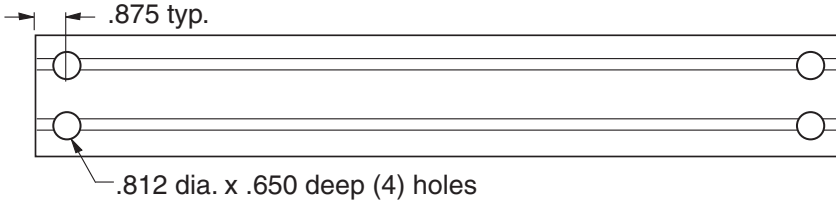


Part No.

7. Anchor Fastener Counter Bores

- A. For 5/16" slot profiles the counterbore
dia. = .812 x .650 deep
location is .875 from the end

EM-5



Example

(2) EX-2 x 30.0" with EM-5's at O & P both ends

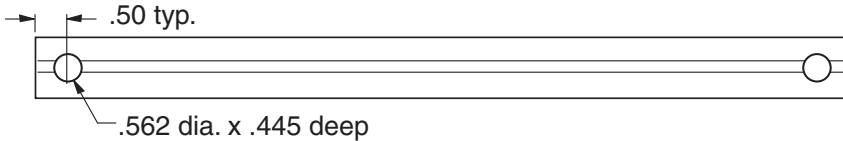
Total EM-1 cuts = 2

Total EM-5 counterbores = 8

Total EF-62 anchor fasteners = 8

- B. For 1/4" slot profiles the counterbore
dia. = .562 x .445 deep
location is .500 from the end

EM-7



Example

(2) EX-12 x 50.0" with EM-7's at N & Q both ends

Total EM-1 cuts = 2

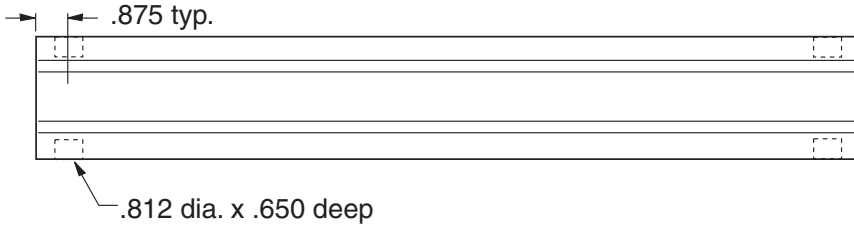
Total EM-7 counterbores = 8

Total 11-242 anchor fasteners = 8

Part No.

- C. For 5/16" slot profiles using double anchor fasteners EF-63 & EF-64 the counterbore dia. = .812 x .650 location is .875 from the end

EM-5

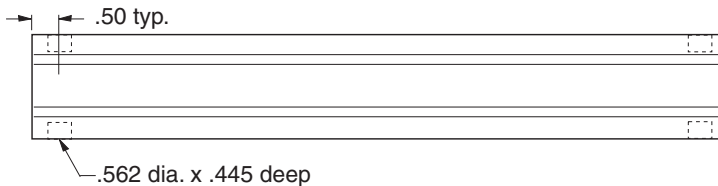


Example

- (2) EX-2 x 30.0" with EM-5's at N & Q both ends
Total EM-1 cuts = 2
Total EM-5 counterbores = 8
Total EF-64 anchor fasteners = 4

- D. For 1/4" slot profiles using double anchor fasteners 11-248 & 11-249, the counterbore dia. = .562 x .445 deep location is .500 from the end

EM-7



Example

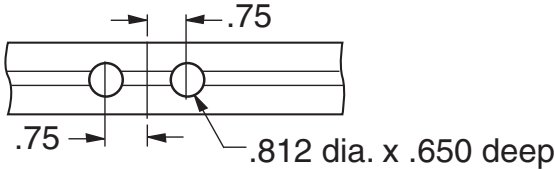
- (2) EX-12 x 20.0" with EM-7's at N & Q both ends
Total EM-1 cuts = 2
Total EM-7 counterbores = 8
Total 11-249 anchor fasteners = 4

Part No.

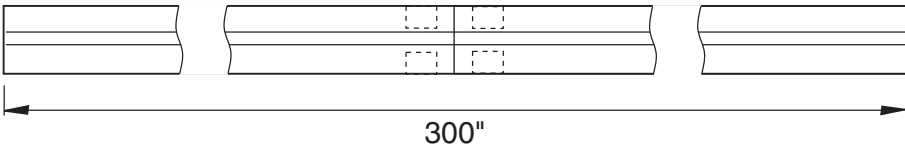
8. Anchor Butt Fastener Counterbores

- A. For 5/16" wide slot profiles the counterbore dia. = .812 x .650 deep. Location is .75 from the end

EM-8



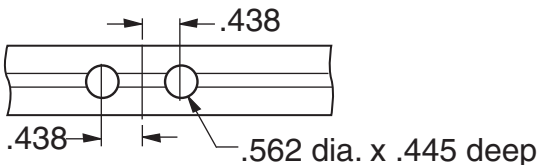
Example: (for a 300" long piece)



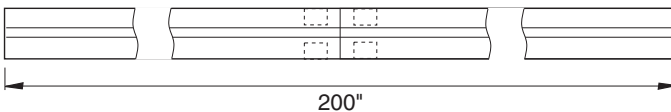
- (2) EX-1 x 150.0
- (2) EM-1
- (4) EM-8
- (2) EF-61

- B. For 1/4" wide slot profiles the counterbore dia. = .562 x .445 deep. Location is .438 from the end

EM-9



Example: (for a 200" long piece)



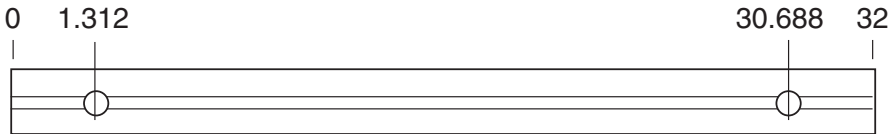
- (2) EX-11 x 100.0
- (2) EM-1
- (4) EM-9
- (2) 11-243

**Part No.
EM-13****9. Set Screw Anchor Fastener Counterbore**

For 5/16" wide slot profiles using and EF-49 fastener,
an EM-13 counterbore dia = .625 dia x 1.00 deep
at a distance of 1.312" from the end of the extrusion.

Example:

EX-65 ; 32.000" ; EM-13 [F] @ 1.312, 30.688

**10. Wire Mesh and Plastic Panels Cut to Size**

Panels any side \leq 48.0"

EM-4S

Panels any side $>$ 48.0"

EM-4L

A. Wire Mesh and Plastic Panels
are sold by the number of square feet

B. To calculate square feet,
multiply the length by width (in inches)
and then divide by 144.
Round up to nearest square foot.

C. Example:

(1) EB-38-1 that is 24" x 47"

Order:

(8) sq ft EB-38-1 (1) @ 24" x 47"

(1) EM-4S

Total Sq. Ft. = $\frac{47.0 \times 24.0}{144.0} = (8)$ sq. ft. EB-38-1

11. Clearance Hole in a Panel

EM-3P

For clearance holes drilled into panel material, include an EM-3P. Please provide a sketch.

12. Notch in Panel or Mesh

EM-4N

For notches in panels or mesh, include an EM-4N for each notch. Please provide a sketch.

13. Extrusion Mitre Cuts & Counter Bores

Miter cut per end

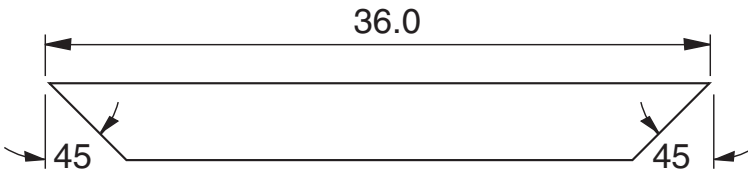
EM-6

Counter bore & hardware per end

EM-10

(1) EM-6/Cut Piece

Example:



Order:

(1) EX-1 x 36.0

(2) EM-6

(2) EM-10 (times (2) for double slot, i.e. EX-2)

Note: for custom angles, consult the factory.

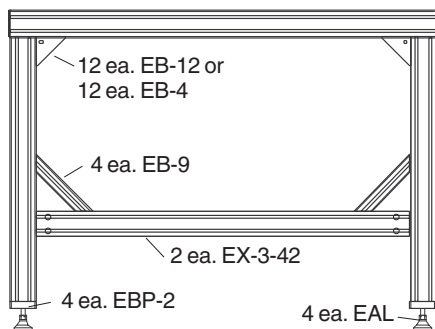
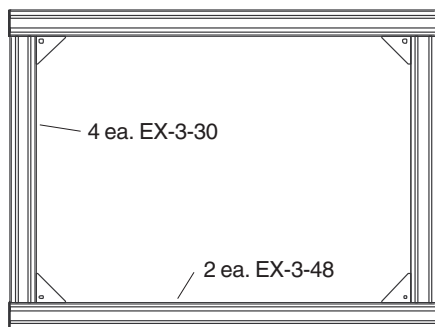
When comparing all costs in the fabrication of a typical machine or table frame using FRAME-WORLD components versus steel weldments, most users realize a 15 to 25% savings. Here are the reasons, or extra steps and equipment in weldment structures:

- Welding fixtures and clamps
- Welding time
- Grinding equipment and grinding of welds
- Clean and degrease
- Drill, tapping or reaming mounting holes
- Deburr
- Primer
- Paint frame and touch up after mounting

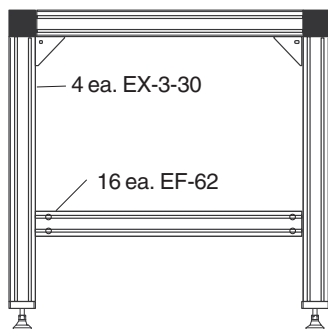
It's easy to see the savings and esthetic effect of FRAME-WORLD.

Parts List

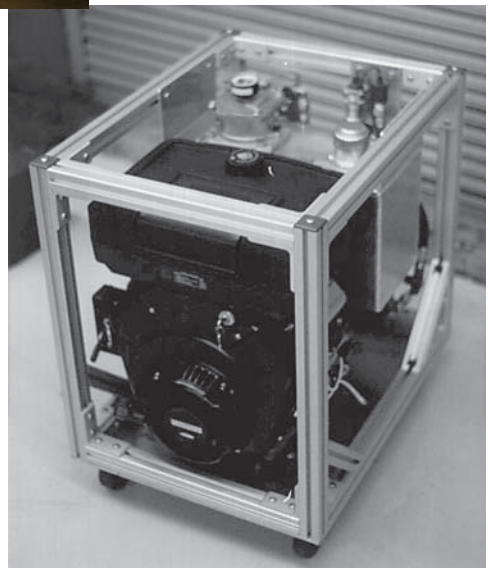
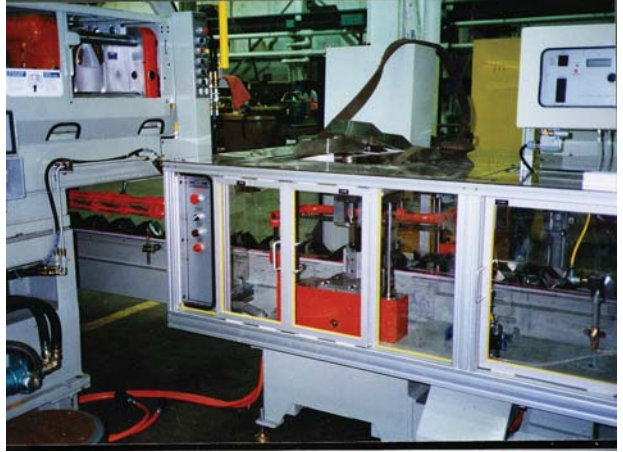
- 8 - EX-3-30 Extrusion
- 2 - EX-3-48 Extrusion
- 2 - EX-3-42 Extrusion
- 4 - EB-9 Angle Bracket
- 12 - EB-12 Angle Bracket
- 4 - EBP-2 Leveling Plate
- 4 - EAL Adjustable Leg
- 4 - EF-19-C Plastic End Plate
- 16 - EF-62 Anchor Fastener



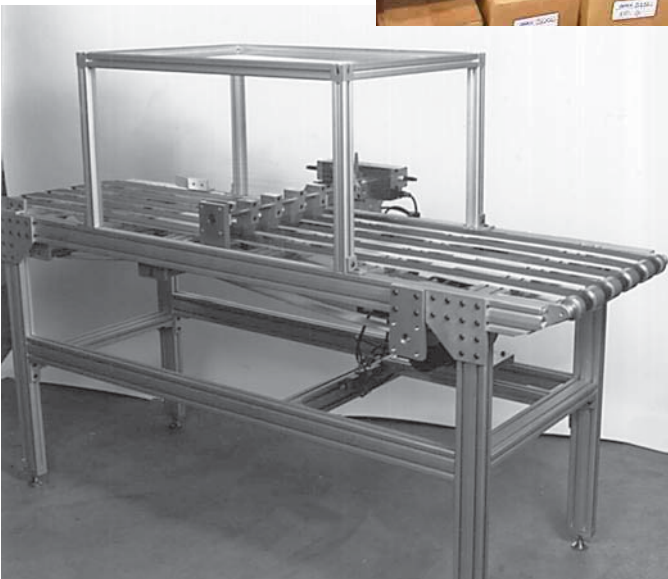
4 ea. EF-19-C

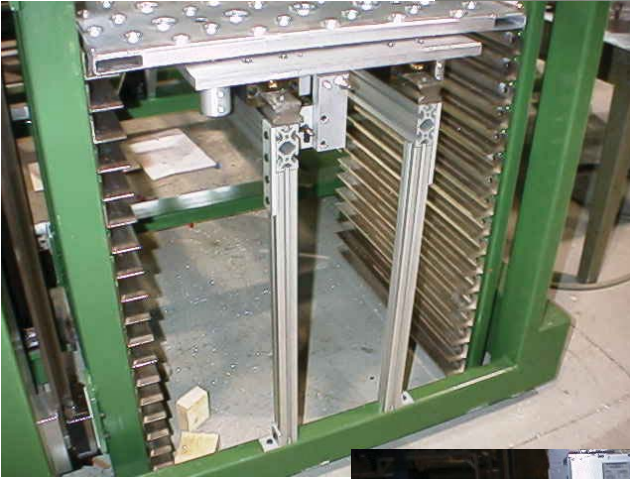


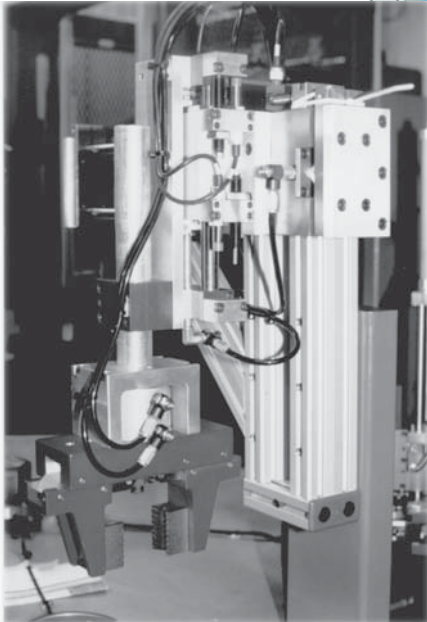


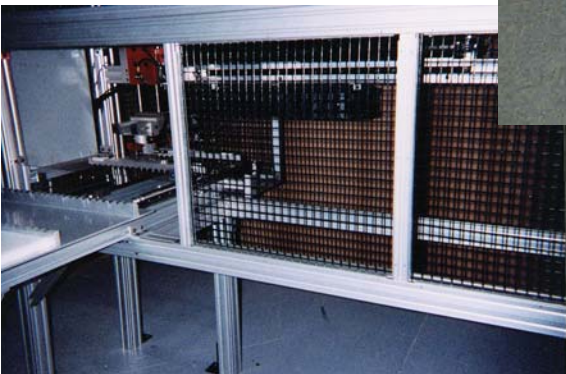


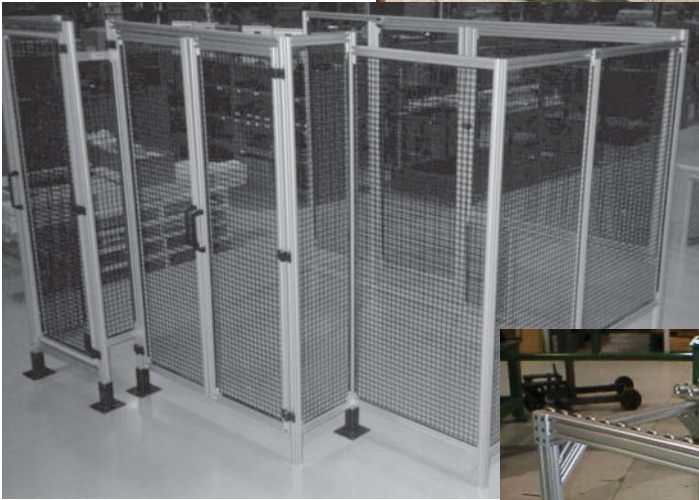
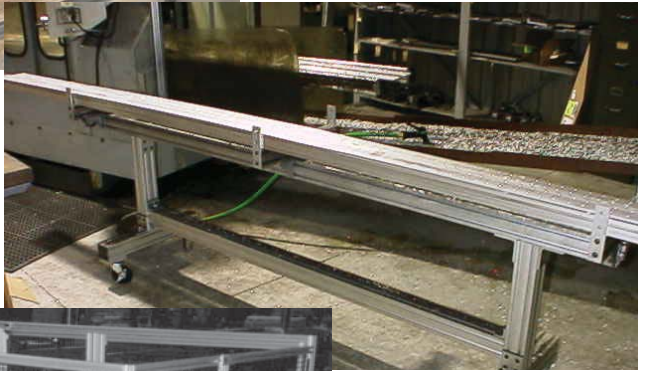


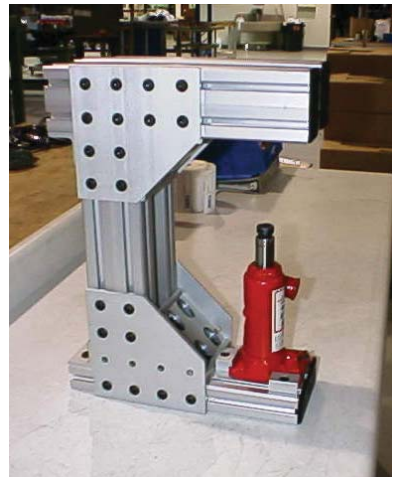
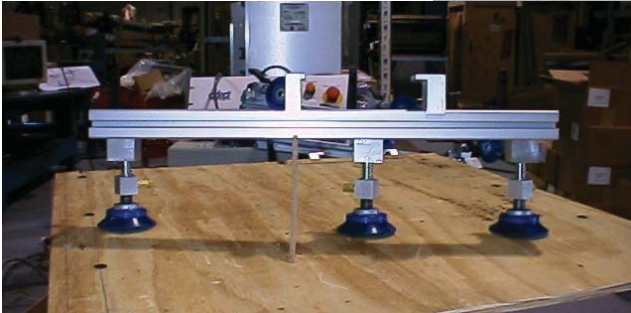
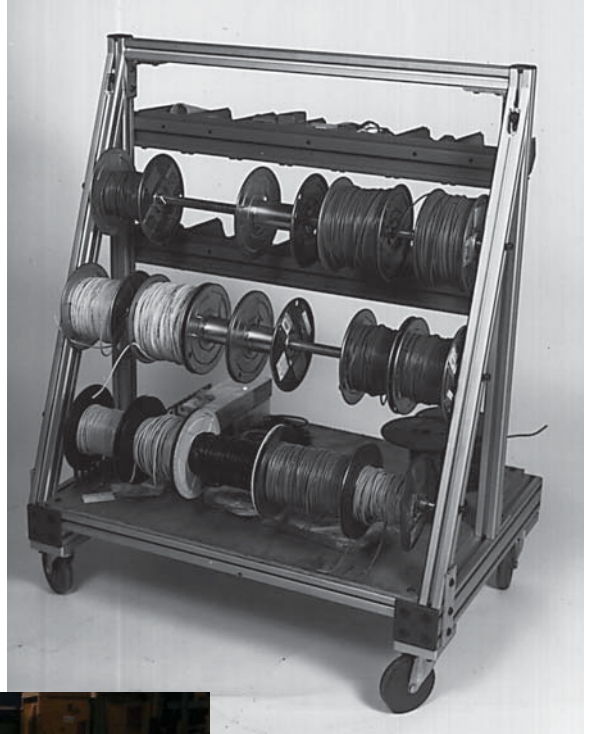




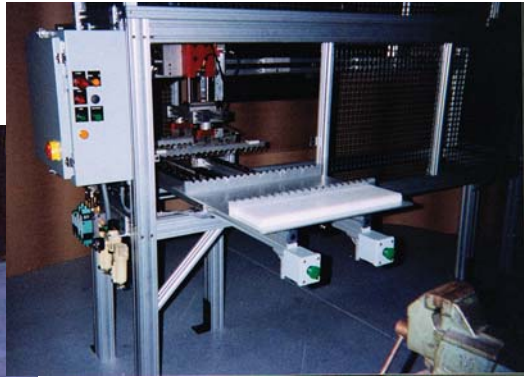


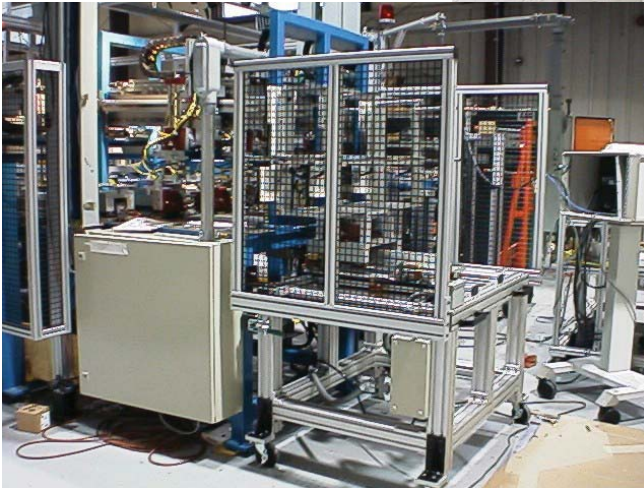












11-1	Corner Angle.....	351	11-52	Deluxe Leg.....	433
11-2	Corner Angle.....	352	11-53	Transition Corner Angle.....	365
11-3	Corner Angle.....	353	11-54	Transition Corner Angle.....	367
11-4	Corner Angle.....	354	11-55	Caster Mounting Plate.....	431
11-5	Transition Corner Angle.....	366	11-56	Castle Corner.....	394
11-6	Corner Angle.....	355	11-57	Castle Corner.....	395
11-7-SP	Extrusion Gusset.....	379	11-58	Castle Corner.....	396
11-7	Extrusion Gusset.....	379	11-60	Steel Angle Bracket.....	382
11-8	Double Steel Corner Bracket.....	381	11-61	Welded Steel Angle Bracket - Left Hand.....	384
11-9	Adjustable Corner Post.....	399	11-62	Welded Steel Angle Bracket - Right Hand.....	384
11-10	Adjustable Corner Post.....	398	11-63	Welded Steel Angle Bracket.....	386
11-11	Adjustable Corner Post Arm.....	397	11-64	Steel Angle Bracket.....	383
11-12-SP	Extrusion Gusset.....	380	11-65	Steel Angle Bracket.....	385
11-12	Extrusion Gusset.....	380	11-66A	Leveling Anchor Plate.....	425
11-13	Corner Angle.....	357	11-66B	Leveling Anchor Plate.....	425
11-14	Corner Angle.....	358	11-70	Steel Flanged Foot.....	434
11-15	Corner Angle.....	359	11-71	Steel Flanged Foot.....	435
11-16	Slotted Corner Angle.....	360	11-72	Steel Flanged Foot.....	436
11-17	Corner Angle.....	362	11-73	Economy Aluminum Floor Mount.....	437
11-19	Corner Angle.....	363	11-74	Economy Aluminum Floor Mount.....	438
11-20	Joining Plate.....	412	11-80	Corner Angle.....	356
11-21	Joining Plate.....	416	11-81	Corner Angle.....	361
11-22	Joining Plate.....	407	11-91LH	Single Mount Linear Bearing with Locking Handle.....	480
11-23	Joining Plate.....	406	11-91	Single Mount Linear Bearing.....	479
11-24	3-way Castle Corner.....	393	11-92LH	Double Mount Linear Bearing with Locking Handle.....	484
11-25	Joining Plate.....	414	11-92	Double Mount Linear Bearing.....	483
11-26	Joining Plate.....	418	11-93LH	Single Mount Linear Bearing with Locking Handle.....	482
11-27	Joining Plate.....	410	11-93	Single Mount Linear Bearing.....	481
11-28	Joining Plate.....	409	11-94LH	Single Mount Linear Bearing with Locking Handle.....	486
11-29	Corner Gusset.....	376	11-94	Single Mount Linear Bearing.....	485
11-30	Wire Mesh Bracket (Steel).....	439	11-95LH	Double Mount Linear Bearing with Locking Handle.....	488
11-31	Wire Mesh Retaining Strip (Rubber)....	440	11-95	Double Mount Linear Bearing.....	487
11-32	Upper Door Slide (3 track).....	441	11-96	Slider Bracket.....	472
11-33	Lower Door Slide (3 track).....	441	11-97	Plastic Slider.....	471
11-34	Corner Gusset.....	377	11-98	Slider Assembly.....	470
11-35	Adjustable Leg.....	433	11-99	Slider Assembly.....	470
11-36	Adjustable Leg.....	433	11-100	Pressure Manifold Plate.....	514
11-37	Corner Angle.....	364	11-101	Pressure Manifold Plate.....	515
11-38	Joining Plate.....	405	11-102	Pressure Manifold Plate.....	515
11-39	Joining Plate.....	408	11-103	Angle Block.....	378
11-40	Joining Plate.....	420	11-104	Angle Block.....	378
11-41	Joining Plate.....	411	11-105	Pivoting Post Arm with Bushing.....	400
11-42	Joining Plate.....	413	11-106	Adjustable Post Angle.....	401
11-43	Joining Plate.....	417	11-107	Pivoting Post Angle with Bushing.....	402
11-44	Joining Plate.....	415	11-108	Pivoting Corner Post.....	403
11-45A	Leveling Plate.....	421	11-109	Pivoting Corner Post.....	404
11-45B	Leveling Plate.....	421	11-110	Swivel Plate Caster w/brake.....	428
11-46A	Leveling Plate.....	423	11-111	Swivel Plate Caster w/brake.....	428
11-46B	Leveling Plate.....	423	11-112	Swivel Plate Caster w/brake.....	428
11-47A	Leveling Anchor Plate.....	424	11-120	Fixed Plate Caster.....	429
11-47B	Leveling Anchor Plate.....	424			
11-48A	Leveling Anchor Plate.....	422			
11-48B	Leveling Anchor Plate.....	422			
11-49A	Leveling Plate.....	426			
11-49B	Leveling Plate.....	426			
11-50	Caster Plate.....	430			
11-51	Joining Plate.....	419			

11-121	Fixed Plate Caster	429	11-234K	Zinc Plated Button Head Cap Screw	501
11-122	Fixed Plate Caster	429	11-234	Button Head Cap Screw	497
11-150	Drill Fixture	518	11-235	Button Head Cap Screw	497
11-151	Drill Fixture	518	11-239	Economy T-Nut (Offset Thread)	503
11-160	Corner Gusset.....	368	11-240L	Locking Washer	511
11-161	Corner Gusset.....	369	11-240S	Washer (Zinc Plated)	511
11-162	Corner Gusset.....	370	11-240SS	Washer (Stainless Steel).....	511
11-163	Corner Gusset.....	371	11-240	Washer Hardened Steel Heavy Duty	511
11-170	Corner Gusset.....	372	11-241M	Hex Nut.....	511
11-171	Corner Gusset.....	373	11-241	Hex Nut.....	511
11-172	Corner Gusset.....	374	11-242M	Anchor Fastener	387
11-173	Corner Gusset.....	375	11-242P	Anchor Fastener	387
11-190	Hanger Clip.....	516	11-242	Anchor Fastener	387
11-201	Pivot T-Nut with Rubber Bumper.....	506	11-243M	Anchor Butt Fastener	389
11-202	Pivot T-Nut with Rubber Bumper.....	506	11-243	Anchor Butt Fastener	389
11-203	Pivot T-Nut with Rubber Bumper.....	506	11-244	T-Slot Cover.....	442
11-205	Heavy Duty T-Nut.....	508	11-245	T-Slot Cover.....	442
11-206	Heavy Duty T-Nut.....	508	11-246	T-Slot Cover.....	442
11-207	Heavy Duty T-Nut.....	508	11-247	T-Slot Cover.....	442
11-208	Heavy Duty T-Nut.....	508	11-248M	Double Anchor Fastener	388
11-209	Heavy Duty T-Nut.....	508	11-248	Double Anchor Fastener	388
11-210	Economy T-Nut (Offset Thread)	503	11-249M	Double Anchor Fastener	388
11-211	Economy T-Nut (Offset Thread)	503	11-249	Double Anchor Fastener	388
11-212	Economy T-Nut (Offset Thread)	503	11-250	Plastic End Plate.....	512
11-213	Economy T-Nut (Offset Thread)	503	11-251	Push Lock Fastener	513
11-214	Economy T-Nut (Offset Thread)	503	11-252	Aluminum Hinge.....	450
11-215	Economy T-Nut (Centered Thread)	504	11-253	Steel Lift-Off Hinge (left hand).....	454
11-215SS	Economy T-Nut (Stainless Steel)	504	11-254	Steel Lift-Off Hinge (right hand)	454
11-216	Economy T-Nut (Centered Thread)	504	11-255	Plastic Hinge.....	455
11-217	Economy T-nut	289	11-256	Plastic Handle.....	463
11-217	Long Economy T-nut	292	11-257	Plastic End Plate.....	512
11-217	Economy T-Nut (Centered Thread)	504	11-258	Plastic End Plate.....	512
11-218B	Blank Continuous T-nut	510	11-259	Plastic End Plate.....	512
11-218	Continuous T-nut	509	11-260	Panel Mounting Bracket.....	446
11-219	Long Economy T-nut	292	11-261	Internal Corner Bracket.....	448
11-219	Economy T-Nut (Centered Thread)	504	11-262SS	Universal Connector	390
11-220K	Zinc Plated Socket Head Cap Screw	501	11-262	Universal Connector	390
11-220	Socket Head Cap Screw.....	499	11-263	Heavy Duty Magnetic Door Latch Assembly	469
11-221K	Zinc Plated Socket Head Cap Screw	501	11-264	Single Door Mechanical Latch	466
11-221	Socket Head Cap Screw.....	499	11-265	Double Door Mechanical Latch	466
11-222K	Zinc Plated Socket Head Cap Screw	501	11-266	T-slot Roller.....	478
11-222	Socket Head Cap Screw.....	499	11-267SS	Universal Panel Connector.....	390
11-223K	Zinc Plated Socket Head Cap Screw	501	11-267	Universal Panel Connector.....	390
11-223	Socket Head Cap Screw.....	499	11-268	Universal Connector	391
11-224K	Zinc Plated Socket Head Cap Screw	501	11-269	Universal Connector	392
11-224	Socket Head Cap Screw.....	499	11-270	Threaded Stem Caster Bracket (Steel) .	432
11-225	Socket Head Cap Screw.....	499	11-272	Deluxe Dead Bolt Latch.....	467
11-226	Socket Head Cap Screw.....	499	11-273	Deadbolt Latch	468
11-227	Pivot T-Nut with Rubber Bumper.....	506	11-275	Panel Mounting Bracket.....	447
11-230K	Zinc Plated Button Head Cap Screw	501	11-277	Plastic End Plate.....	512
11-230	Button Head Cap Screw	497	11-279	Steel Slotted Hinge	453
11-231K	Zinc Plated Button Head Cap Screw	501	11-280	Aluminum Transition Hinge	456
11-231	Button Head Cap Screw	497	11-282	Mechanical Latch 1/4" slots	464
11-232K	Zinc Plated Button Head Cap Screw	501	11-283	Transition Mechanical Latch	465
11-232	Button Head Cap Screw	497	11-285	Hidden Steel Hinge	452
11-233K	Zinc Plated Button Head Cap Screw	501	11-287	Steel Hinge	451
11-233	Button Head Cap Screw	497			

11-288	Door Roller Block	477	11-456-.50	Stainless Steel Button Head Cap Screw	497
11-289	Door Roller Block	477	11-456-.63	Stainless Steel Button Head Cap Screw	497
11-290	Offset Bearing Block (Plastic)	474	11-456-.75	Stainless Steel Button Head Cap Screw	497
11-291	Bearing Block (Plastic)	475	11-458-.38	Zinc Plated Hex Cap Screw	502
11-293	Offset Bearing Block (Plastic)	476	11-458-.50	Zinc Plated Hex Cap Screw	502
11-295	Plastic Panel Retaining Gasket.....	443	11-458-.63	Zinc Plated Hex Cap Screw	502
11-296	Thin Panel Gasket	445	11-458-.75	Zinc Plated Hex Cap Screw	502
11-298	Plastic Panel Retaining Gasket.....	444	11-458-1.00	Zinc Plated Hex Cap Screw	502
11-299	Plastic Panel Retaining Gasket.....	444	11-458-1.25	Zinc Plated Hex Cap Screw	502
11-302	Blank Bearing Pad UHMW	473	11-458M-12	Zinc Plated Hex Cap Screw	502
11-310	Bi-fold Door Pad	449	11-458M-16	Zinc Plated Hex Cap Screw	502
11-320	Extrusion Molding	517	11-458M-20	Zinc Plated Hex Cap Screw	502
11-340	Pivot T-nut with Set Screw	507	11-458M-25	Zinc Plated Hex Cap Screw	502
11-341	Pivot T-nut with Set Screw	507	11-458M-30	Zinc Plated Hex Cap Screw	502
11-342	Pivot T-nut with Set Screw	507	11-500	Single Shaft Base.....	489
11-350	Flanged Button Head Cap Screw.....	498	11-501	Single Shaft Base.....	489
11-351	Flanged Button Head Cap Screw.....	498	11-502	Double Shaft Base	490
11-352	Flanged Button Head Cap Screw.....	498	11-503	Double Shaft Base	490
11-360	Double Economy T-nut	505	11-504	Single Shaft Mounting Base	491
11-400	Heavy Duty Hinge	457	11-505	Single Shaft Mounting Base	491
11-402L	Left Hand Lift-Off Hinge.....	458	11-506	Double Shaft Mounting Base	492
11-402S	Left Hand Lift-Off Hinge.....	458	11-507	Double Shaft Mounting Base	492
11-402	Left Hand Lift-Off Hinge.....	458	11-508	Double Shaft Mounting Block.....	493
11-403L	Right Hand Lift-Off Hinge	459	11-509	Double Shaft Mounting Block.....	493
11-403S	Right Hand Lift-Off Hinge	459	11-510	Single Shaft Mounting Block	494
11-403	Right Hand Lift-Off Hinge	459	11-511	Single Shaft Mounting Block	494
11-450-25	Metric Socket Head Cap Screw.....	500	11-512	Single Horizontal Base.....	495
11-450-20	Metric Socket Head Cap Screw.....	500	11-513	Single Horizontal Base.....	495
11-450-16	Metric Socket Head Cap Screw.....	500	C2-XXXX-X	FastFrame Cart	20
11-450-12	Metric Socket Head Cap Screw.....	500	D-XXXX-XX-X	FastFrame Door	18
11-450-10	Metric Socket Head Cap Screw.....	500	EAL-1	Adjustable Leg (Economy).....	162
11-450K-10	Zinc Plated Socket Head Cap Screw	501	EAL-2	Adjustable Leg (Economy).....	162
11-450K-12	Zinc Plated Socket Head Cap Screw	501	EAL-3	Adjustable Swivel Leg	165
11-450K-16	Zinc Plated Socket Head Cap Screw	501	EAL-4	Adjustable Swivel Leg	165
11-450K-20	Zinc Plated Socket Head Cap Screw	501	EAL-5	Adjustable Swivel Leg.....	165
11-450K-25	Zinc Plated Socket Head Cap Screw	501	EAL-6	Adjustable Swivel Leg.....	165
11-452-.1.0	Stainless Steel Socket Head Cap Screw	500	EAL-7	Adjustable Leg (cushioned)	166
11-452-.5	Stainless Steel Socket Head Cap Screw	500	EAL-8	Adjustable Leg (cushioned)	166
11-452-.63	Stainless Steel Socket Head Cap Screw	500	EAL-9	Adjustable Leg (cushioned)	166
11-452-.75	Stainless Steel Socket Head Cap Screw	500	EAL-10	Adjustable Swivel Leg	165
11-454-25	Metric Button Head Cap Screw	498	EAL-E1	Adjustable Leg (Economy).....	163
11-454-20	Metric Button Head Cap Screw	498	EAL-E2	Adjustable Leg (Economy).....	163
11-454-16	Metric Button Head Cap Screw	498	EAL-E3	Adjustable Leg (Economy).....	164
11-454-12	Metric Button Head Cap Screw	498	EB-1	Corner Angle.....	56
11-454-10	Metric Button Head Cap Screw	498	EB-2	Corner Angle.....	57
11-454K-10	Zinc Plated Button Head Cap Screw	501	EB-3	Corner Angle.....	58
11-454K-12	Zinc Plated Button Head Cap Screw	501	EB-4	Corner Angle.....	59
11-454K-16	Zinc Plated Button Head Cap Screw	501	EB-5	Panel Mounting Angle	193
11-454K-20	Zinc Plated Button Head Cap Screw	501	EB-6	1.5 x 1.5 Extrusion Corner Gusset.....	82
11-454K-25	Zinc Plated Button Head Cap Screw	501	EB-7SP	1.5 x 1.5 Extrusion Corner Gusset.....	83
11-456-38	Stainless Steel Button Head Cap Screw	497	EB-7	1.5 x 1.5 Extrusion Corner Gusset.....	83
			EB-8	1.5 x 3.0 Extrusion Corner Gusset.....	87
			EB-9SP	1.5 x 3.0 Extrusion Corner Gusset.....	88
			EB-9	1.5 x 3.0 Extrusion Corner Gusset.....	88

EB-10A	Cast Corner Gusset.....	89	EB-50	Castle Corner.....	115
EB-10	Cast Corner Gusset.....	89	EB-51	Castle Corner.....	116
EB-11	Cast Corner Gusset.....	90	EB-52	Castle Corner 1.5 x 1.5 Profiles	111
EB-12	Cast Corner Gusset.....	91	EB-53	Castle Corner 1.5 x 1.5 Profiles	113
EB-13LH	Pivot Joint with Locking Handle	119	EB-54	Castle Corner 1.5 x 1.5 Profiles	114
EB-13P	Pivoting Hinge.....	118	EB-55	Corner Angle.....	62
EB-13	Adjustable Joint Connector.....	117	EB-56	Corner Angle.....	63
EB-14G	Steel Welded Corner Angle	97	EB-57	Corner Angle.....	72
EB-14P	Steel Corner Angle.....	96	EB-58	Corner Gusset.....	73
EB-15AL	Economy Aluminum Floor Mount	175	EB-59	Corner Angle.....	60
EB-15AL3	Economy Aluminum Floor Mount	176	EB-60	Corner Angle.....	61
EB-15LH	Steel Welded Corner Angle	95	EB-61	Double Panel Bracket.....	191
EB-15P	Steel Corner Angle.....	94	EB-62	Panel Bracket.....	192
EB-15RH	Steel Welded Corner Angle	95	EB-63	Wire Mesh Bracket	186
EB-16	Steel Welded Corner Angle	93	EB-64	Double Wire Mesh Bracket	187
EB-17-FT	Floor Mounting Bracket	177	EB-65	Pivoting Post Arm with Bushing	124
EB-17	Steel Double Angle Bracket.....	92	EB-66	Adjustable Post Angle.....	123
EB-20	Corner Gusset.....	86	EB-67	Pivoting Post Angle with Bushing.....	125
EB-22	Joining Plate.....	138	EB-68	Pivoting Corner Post	126
EB-23	Joining Plate.....	143	EB-69	Pivoting Corner Post	127
EB-24	Joining Plate.....	146	EB-70	Adjustable Leveling Foot.....	178
EB-25	Corner Angle.....	71	EB-71	Joining Plate.....	139
EB-26	Joining Plate.....	133	EB-73	Joining Plate.....	142
EB-27	Joining Plate.....	141	EB-74	Joining Plate.....	144
EB-28	Joining Plate.....	130	EB-76	Joining Plate.....	147
EB-29	Joining Plate.....	131	EB-77	45° Joining Plate	149
EB-30	Corner Angle.....	70	EB-78	Joining Plate.....	148
EB-31	Joining Plate.....	129	EB-79	Joining Plate.....	137
EB-32	Joining Plate.....	132	EB-80	Panel Mounting Angle	194
EB-33S	Joining Plate.....	128	EB-81	Economy Corner Panel Angle	68
EB-33	Joining Plate.....	128	EB-82	Economy Corner Panel Angle	69
EB-34	Joining Plate.....	140	EB-83	Joining Plate.....	134
EB-35	Door Stop Bracket	236	EB-84	Joining Plate.....	135
EB-36	Angle Blocks.....	84	EB-85	Joining Plate.....	136
EB-37	Angle Blocks.....	84	EB-86	Castle Corner 1.5 x 1.5 Profiles	112
EB-38-2	Wire Mesh.....	182	EB-87	Joining Plate.....	145
EB-38-1	Wire Mesh.....	182	EB-88A	1/4 Turn Panel Bracket.....	190
EB-38-1/2	Wire Mesh.....	182	EB-88B	1/4 Turn Panel Bracket.....	190
EB-38-1/2Y	Wire Mesh.....	182	EB-88C	1/4 Turn Panel Bracket.....	190
EB-38-1Y	Wire Mesh.....	182	EB-91LH	Single Mount Linear Bearing with Locking Handle	256
EB-38G	Wire Mesh Retaining Strip.....	183	EB-91	Single Mount Linear Bearing	255
EB-39A	Wire Mesh Bracket	184	EB-92LH	Double Mount Linear Bearing with Locking Handle	260
EB-39B	Wire Mesh Bracket	184	EB-92	Double Mount Linear Bearing	259
EB-40A	Plastic Panel Retaining Gasket.....	199	EB-93LH	Single Mount Linear Bearing with Locking Handle	258
EB-40B	Plastic Panel Retaining Gasket.....	200	EB-93	Single Mount Linear Bearing	257
EB-40C	Plastic Panel Retaining Gasket.....	199	EB-94LH	Single Mount Linear Bearing with Locking Handle	262
EB-40	Plastic Panel Retaining Gasket.....	198	EB-94	Single Mount Linear Bearing	261
EB-41	Steel Flanged Foot	179	EB-95LH	Double Mount Linear Bearing with Locking Handle	264
EB-42	Steel Flanged Foot	180	EB-95	Double Mount Linear Bearing	263
EB-43	Steel Flanged Foot	181	EB-96	Wire Mesh Bracket	188
EB-44	Corner Gusset.....	85	EB-100	Corner Angle.....	64
EB-45	Thin Panel Gasket.....	201	EB-101	Corner Angle.....	65
EB-46	Adjustable Corner Post.....	120			
EB-47	Adjustable Corner Post.....	121			
EB-48	Adjustable Arm Post.....	122			
EB-49B	Wire Mesh Bracket	185			
EB-49Y	Wire Mesh Bracket	185			

EB-102	Slotted Corner Angle	66	EB-186	Plastic Panel	189
EB-103	Slotted Corner Angle	67	EB-187	Plastic Panel	189
EB-110	Safety Switch Bracket.....	308	EB-188	Plastic Panel	189
EB-111	Corner Gusset.....	74	EB-189	Plastic Panel	189
EB-112	Corner Gusset.....	75	EB-190	Plastic Panel	189
EB-113	Corner Gusset.....	76	EB-191	Plastic Panel	189
EB-114	Corner Gusset.....	77	EB-192	Plastic Panel	189
EB-121	Corner Gusset.....	78	EB-193	Plastic Panel	189
EB-122	Corner Gusset.....	79	EB-194	Plastic Panel	189
EB-123	Corner Gusset.....	80	EB-195	Plastic Panel	189
EB-124	Corner Gusset.....	81	EB-196	Plastic Panel	189
EB-125	30° Joining Plate	150	EB-197	Plastic Panel	189
EB-126	60° Joining Plate	151	EB-198	Plastic Panel	189
EB-127	45° Joining Plate	152	EB-200	Single Shaft Base.....	266
EB-128	60° Joining Plate	153	EB-201	Single Shaft Base.....	266
EB-129	30° Joining Plate	154	EB-202	Double Shaft Base	267
EB-130	Heavy Duty Hinge Assembly.....	219	EB-203	Double Shaft Base	267
EB-132L	Left Hand Lift-Off Hinge - 5/16" slots... 220		EB-204	Single Shaft Mounting Plate	268
EB-132S	Left Hand Lift-Off Hinge - 5/16" slots... 220		EB-205	Single Shaft Mounting Plate	268
EB-132	Left Hand Lift-Off Hinge - 5/16" slots... 220		EB-206	Double Shaft Mounting Plate.....	269
EB-133L	Right Hand Lift-Off Hinge - 5/16" slots	221	EB-207	Double Shaft Mounting Plate.....	269
EB-133S	Right Hand Lift-Off Hinge - 5/16" slots	221	EB-208	Cross Clamp	270
EB-133	Right Hand Lift-Off Hinge - 5/16" slots	221	EB-209	Cross Clamp	270
EB-140	Heavy Duty Transition 5/16 - 1/4 slots Hinge Assembly.....	222	EB-210	Single Shaft Mounting Block	271
EB-142L	Left Hand Transition Lift-Off Hinge 5/16 - 1/4 slots.....	223	EB-211	Single Shaft Mounting Block	271
EB-142S	Left Hand Transition Lift-Off Hinge 5/16 - 1/4 slots.....	223	EB-212	Double Shaft Mounting Block.....	272
EB-142	Left Hand Transition Lift-Off Hinge 5/16 - 1/4 slots.....	223	EB-213	Double Shaft Mounting Block.....	272
EB-143L	Right Hand Transition Lift-Off Hinge 5/16 - 1/4 slots	224	EB-214	Single Horizontal Base.....	273
EB-143S	Right Hand Transition Lift-Off Hinge 5/16 - 1/4 slots.....	224	EB-215	Single Horizontal Base.....	273
EB-143	Right Hand Transition Lift-Off Hinge 5/16 - 1/4 slots.....	224	EB-216	Single Horizontal Base.....	274
EB-151	Floor Locks.....	174	EB-217	Single Horizontal Base.....	274
EB-153	Floor Locks.....	174	EB-218	Stanchion Shafts	275
EB-154	Floor Lock Mounting Plate.....	161	EB-219	Stanchion Shafts	275
EB-160	Plastic Panel	189	EBP-1A	Leveling Plate	155
EB-161	Plastic Panel	189	EBP-1B	Leveling Plate	155
EB-162	Plastic Panel	189	EBP-1C	Leveling Plate	155
EB-165	Plastic Panel	189	EBP-1	Leveling Plate	155
EB-166	Plastic Panel	189	EBP-2A	Leveling Plate	156
EB-170	Plastic Panel	189	EBP-2B	Leveling Plate	156
EB-171	Plastic Panel	189	EBP-2C	Leveling Plate	156
EB-172	Plastic Panel	189	EBP-2	Leveling Plate	156
EB-175	Plastic Panel	189	EBP-3A	Leveling Plate	157
EB-176	Plastic Panel	189	EBP-3B	Leveling Plate	157
EB-177	Plastic Panel	189	EBP-3C	Leveling Plate	157
EB-180	Plastic Panel	189	EBP-3	Leveling Plate	157
EB-181	Plastic Panel	189	EBP-4A	Leveling Plate	158
EB-185	Plastic Panel	189	EBP-4B	Leveling Plate	158
			EBP-4C	Leveling Plate	158
			EBP-4	Leveling Plate	158
			EBP-5A	Caster Mounting Plate	173
			EBP-5	Caster Mounting Plate	172
			EBP-6A	Leveling Plate	159
			EBP-6B	Leveling Plate	159
			EBP-6C	Leveling Plate	159
			EBP-6	Leveling Plate	159
			EBP-8	Leveling Anchor Plate.....	160
			EC-3F	Fixed Plate Caster	168

EC-3S	Swivel Plate Caster w/brake.....	169	EF-11SS-.75	Stainless Steel Socket Head Cap Screw	278
EC-4F	Fixed Plate Caster	168	EF-11SS-1.0	Stainless Steel Socket Head Cap Screw	278
EC-4S	Swivel Plate Caster w/brake.....	169	EF-11SS-1.25	Stainless Steel Socket Head Cap Screw	278
EC-5F	Fixed Plate Caster	168	EF-12-.50	Button Head Cap Screw	280
EC-5S	Swivel Plate Caster w/brake.....	169	EF-12-.63	Button Head Cap Screw	280
ECC	Castle Corner.....	109	EF-12-.75	Button Head Cap Screw	280
ECC-A	3-way Castle Corner	110	EF-12-.875	Button Head Cap Screw	280
EC-S1	Threaded Stem Caster	167	EF-12-1.0	Button Head Cap Screw	280
EC-S2	Threaded Stem Caster	167	EF-12-1.25	Button Head Cap Screw.....	280
EC-S3	Threaded Stem Caster	167	EF-12-1.50	Button Head Cap Screw.....	280
ECT-4F	Total Lock Fixed Plate Caster.....	171	EF-12F-.50	Button Head Cap Screw (Flanged).....	281
ECT-4S	Total Lock Swivel Plate Caster.....	170	EF-12F-.63	Button Head Cap Screw (Flanged).....	281
EF-1	Pivot T-nut with Rubber Bumper.....	286	EF-12F-.75	Button Head Cap Screw (Flanged).....	281
EF-2A	Economy T-nut	289	EF-12F-1.0	Button Head Cap Screw (Flanged).....	281
EF-2AST	Stainless Steel Economy T-nut.....	290	EF-12K-.50	Zinc Plated Button Head Cap Screw	279
EF-2B	Economy T-nut	289	EF-12K-.63	Zinc Plated Button Head Cap Screw	279
EF-2C	Economy T-nut	289	EF-12K-.75	Zinc Plated Button Head Cap Screw	279
EF-2CST	Stainless Steel Economy T-nut.....	290	EF-12K-.875	Zinc Plated Button Head Cap Screw	279
EF-2D	Double Thread Economy T-nut.....	293	EF-12K-1.0	Zinc Plated Button Head Cap Screw	279
EF-2E	Economy T-nut	289	EF-12K-1.25	Zinc Plated Button Head Cap Screw	279
EF-2H	Economy T-nut	289	EF-12K-1.50	Zinc Plated Button Head Cap Screw	279
EF-2ST	Stainless Steel Economy T-nut.....	290	EF-12M-12	Button Head Cap Screw	280
EF-2	Economy T-nut	289	EF-12M-16	Button Head Cap Screw	280
EF-4A	Long Economy T-nut	292	EF-12M-20	Button Head Cap Screw.....	280
EF-4B	Long Economy T-nut	292	EF-12M-25	Button Head Cap Screw.....	280
EF-4C	Long Economy T-nut.....	292	EF-12M-30	Button Head Cap Screw.....	280
EF-4D	Long Economy T-nut.....	292	EF-12M-35	Button Head Cap Screw.....	280
EF-4	Long Economy T-nut.....	292	EF-12MK-12	Zinc Plated Button Head Cap Screw	279
EF-9	5/16-18 Turn Lock T-Bolt.....	283	EF-12MK-16	Zinc Plated Button Head Cap Screw	279
EF-10	T-Bolt.....	284	EF-12MK-20	Zinc Plated Button Head Cap Screw	279
EF-11-.5	Socket Head Cap Screw.....	278	EF-12MK-25	Zinc Plated Button Head Cap Screw	279
EF-11-.63	Socket Head Cap Screw.....	278	EF-12MK-30	Zinc Plated Button Head Cap Screw	279
EF-11-.75	Socket Head Cap Screw.....	278	EF-12MK-35	Zinc Plated Button Head Cap Screw	279
EF-11-1.0	Socket Head Cap Screw.....	278	EF-12SS-.50	Stainless Steel Button Head Cap Screw	280
EF-11-1.25	Socket Head Cap Screw.....	278	EF-12SS-.63	Stainless Steel Button Head Cap Screw	280
EF-11-1.5	Socket Head Cap Screw.....	278	EF-12SS-.75	Stainless Steel Button Head Cap Screw	280
EF-11-1.75	Socket Head Cap Screw.....	278	EF-12SS-.875	Stainless Steel Button Head Cap Screw	280
EF-11-2.0	Socket Head Cap Screw.....	278	EF-12SS-1.0	Stainless Steel Button Head Cap Screw	280
EF-11K-.50	Zinc Plated Socket Head Cap Screw	279	EF-12SS-1.25	Stainless Steel Button Head Cap Screw	280
EF-11K-.63	Zinc Plated Socket Head Cap Screw	279	EF-13A	5/16" Washers and Nuts	285
EF-11K-.75	Zinc Plated Socket Head Cap Screw	279	EF-13B	5/16" Washers and Nuts	285
EF-11K-.875	Zinc Plated Socket Head Cap Screw	279	EF-13C	5/16" Washers and Nuts	285
EF-11K-1.0	Zinc Plated Socket Head Cap Screw	279	EF-13CM	5/16" Washers and Nuts	285
EF-11K-1.25	Zinc Plated Socket Head Cap Screw	279	EF-13L	5/16" Washers and Nuts	285
EF-11K-1.50	Zinc Plated Socket Head Cap Screw	279	EF-13S	5/16" Washers and Nuts	285
EF-11MK-12	Zinc Plated Socket Head Cap Screw	279	EF-14	Push Lock Fastener	298
EF-11MK-16	Zinc Plated Socket Head Cap Screw	279	EF-15A	Plastic Handle.....	225
EF-11MK-20	Zinc Plated Socket Head Cap Screw	279			
EF-11MK-25	Zinc Plated Socket Head Cap Screw	279			
EF-11MK-30	Zinc Plated Socket Head Cap Screw	279			
EF-11MK-35	Zinc Plated Socket Head Cap Screw	279			
EF-11SS-.5	Stainless Steel Socket Head Cap Screw	278			
EF-11SS-.63	Stainless Steel Socket Head Cap Screw	278			

EF-15B	Plastic Handle.....	225	EF-40B	Deluxe Door Handle.....	232
EF-15C	Plastic Handle.....	225	EF-41A	Chrome Door Handle.....	233
EF-16	Aluminum Handle.....	231	EF-41B	Chrome Door Handle.....	233
EF-17-3	Upper Door Slide Track.....	204	EF-41C	Chrome Door Handle.....	233
EF-18-3	Lower Door Slide Track.....	204	EF-42A	Single Tubing Clamp.....	309
EF-19A	Plastic End Plate.....	299	EF-42B	Single Tubing Clamp.....	309
EF-19B	Plastic End Plate.....	299	EF-42C	Single Tubing Clamp.....	309
EF-19C	Plastic End Plate.....	299	EF-42D	Single Tubing Clamp.....	309
EF-19D	Plastic End Plate.....	299	EF-43A	Double Tubing Clamp.....	310
EF-19E	Plastic End Plate.....	299	EF-43B	Double Tubing Clamp.....	310
EF-19F	Plastic End Plate.....	299	EF-43C	Double Tubing Clamp.....	310
EF-19G	Plastic End Plate.....	299	EF-43D	Double Tubing Clamp.....	310
EF-20	Plastic Hinge.....	212	EF-45B	T-slot Cover or Panel Gasket.....	206
EF-21LH	Steel Lift-Off Hinge.....	215	EF-45G	T-slot Cover or Panel Gasket.....	206
EF-21RH	Steel Lift-Off Hinge.....	215	EF-45SO	T-slot Cover or Panel Gasket.....	206
EF-21	Aluminum Hinge.....	211	EF-45Y	T-slot Cover or Panel Gasket.....	206
EF-22A	Mechanical Door Latch.....	243	EF-48	Offset Extrusion Door Handle.....	226
EF-22HD	Heavy Duty Magnetic Door Latch Assembly.....	240	EF-49	Set Screw Anchor Fastener.....	101
EF-22	Magnetic Door Latch Assembly.....	239	EF-50	Economy T-nut with Set Screw.....	291
EF-23A	T-Slot Cover.....	205	EF-51	Economy T-nut with Set Screw.....	291
EF-23B	T-Slot Cover.....	205	EF-52	Economy T-nut with Set Screw.....	291
EF-23G	T-Slot Cover.....	205	EF-53B	Blank Continuous T-nut.....	296
EF-23SO	T-Slot Cover.....	205	EF-53	Continuous T-nut.....	295
EF-23Y	T-Slot Cover.....	205	EF-55	Heavy Duty T-nut.....	294
EF-24	Mechanical Latch.....	241	EF-56	Heavy Duty T-nut.....	294
EF-25B	Panel Mounting Bracket.....	196	EF-57	Heavy Duty T-nut.....	294
EF-25	Panel Mounting Bracket.....	195	EF-58	Heavy Duty T-nut.....	294
EF-26	Corner Joint and Panel Bracket.....	197	EF-59	Heavy Duty T-nut.....	294
EF-27A	Internal Corner Bracket.....	104	EF-60	Rubber Door Seal.....	203
EF-27	Internal Corner Bracket.....	103	EF-61M	Anchor Butt Fastener.....	100
EF-28	Extrusion Molding.....	306	EF-61SS	Anchor Butt Fastener.....	100
EF-29A	Universal Connector.....	106	EF-61	Anchor Butt Fastener.....	100
EF-29B	Universal Connector.....	107	EF-62M	Anchor Fastener.....	98
EF-29D	Double Universal Connector.....	108	EF-62P	Anchor Fastener.....	98
EF-29	Universal Connector.....	105	EF-62SS	Anchor Fastener.....	98
EF-30A	Clamp Bar.....	307	EF-62	Anchor Fastener.....	98
EF-30B	Clamp Bar.....	307	EF-63M	Double Anchor Fastener.....	99
EF-30C	Clamp Bar.....	307	EF-63SS	Double Anchor Fastener.....	99
EF-32-4	Adjustable Locking Handle (Male).....	234	EF-63	Double Anchor Fastener.....	99
EF-32-3	Adjustable Locking Handle (Male).....	234	EF-64	Double Anchor Fastener.....	99
EF-32-2	Adjustable Locking Handle (Male).....	234	EF-64M	Anchor Butt Fastener.....	99
EF-32-1	Adjustable Locking Handle (Male).....	234	EF-64SS	Anchor Butt Fastener.....	99
EF-33-2	Adjustable Locking Handle (Female).....	235	EF-65	Pivot T-nut with Set Screw.....	287
EF-33-1	Adjustable Locking Handle (Female).....	235	EF-66	Pivot T-nut with Set Screw.....	287
EF-34A	Bearing Block (Plastic).....	244	EF-67	Pivot T-nut with Set Screw.....	287
EF-34B	Bearing Block (Plastic).....	244	EF-68	Pivot T-nut with Set Screw.....	287
EF-35A	Offset Bearing Block (Plastic).....	245	EF-69	Pivot T-nut with Set Screw.....	287
EF-35B	Offset Bearing Block (Plastic).....	245	EF-70	Hidden Steel Hinge.....	216
EF-36	Slider Block Bracket.....	246	EF-72	Steel Hinge.....	213
EF-37A	Plastic Slider.....	247	EF-73	Die Cast Zinc Hinge.....	217
EF-37B	Plastic Slider.....	247	EF-74	Die Cast Zinc Locking Hinge.....	218
EF-38S	Slider Assembly.....	248	EF-75	Steel Slotted Hinge.....	214
EF-38	Slider Assembly.....	248	EF-77	Blank Hanging Slider Track 5/16" Slot Size.....	250
EF-39	Blank Bearing Pad UHMW.....	249	EF-78	Mechanical Door Latch 5/16" Slots.....	242
EF-40A	Deluxe Door Handle.....	232	EF-79	Hanging Slider Track 5/16" Slot Size.....	251

EF-80	Drill Fixture	311	EF-157SS-.63	Stainless Steel Flat Head Socket Cap Screw	281
EF-81	Drill Fixture	311	EF-158-.50	Flat Head Socket Cap Screw	281
EF-83	Heavy Duty T-nut	294	EF-158-.63	Flat Head Socket Cap Screw	281
EF-84	Heavy Duty T-nut	294	EF-158SS-.50	Stainless Steel Flat Head Socket Cap Screw	281
EF-88	Door Roller Block - 5/16" Slot (lift out)	253	EF-158SS-.63	Stainless Steel Flat Head Socket Cap Screw	281
EF-89	Door Roller Block - 5/16" Slot (lift out)	253	EF-160	Conveyor Rollers	277
EF-91	Ball and Spring Pivot T-nut	288	EF-161	Conveyor Rollers	277
EF-92	Ball and Spring Pivot T-nut	288	EF-162	Conveyor Rollers	277
EF-93	Ball and Spring Pivot T-nut	288	EF-163	Conveyor Rollers	277
EF-94	Ball and Spring Pivot T-nut	288	EF-166	Conveyor Rollers	277
EF-95	Ball and Spring Pivot T-nut	288	EF-167	Conveyor Rollers	277
EF-96	Z-nut	297	EF-168	Conveyor Rollers	277
EF-100M	Plate Connector	102	EF-170	Deluxe Dead Bolt Latch	237
EF-100	Plate Connector	102	EF-171	Deadbolt Latch	238
EF-110	Bi-fold Door Pad	208	EF-180	Extruded Door Handle	227
EF-111	Bi-fold Door Pad	209	EF-181	Extruded Door Handle	228
EF-115	Bi-fold Door Pad	210	EF-182	Extruded Door Hand Grip	229
EF-125	Safety Door Handle	230	EF-SS13A	Stainless Steel Washer	285
EF-126	Safety Door Handle	230	EF-SS29A	Universal Connector	106
EF-127	Safety Door Handle	230	EF-SS29	Universal Connector	105
EF-140	Stiffener for Plastic Panel	207	EM-1-EX-45	Standard Machining Service	593
EF-141	Stiffener for Plastic Panel	207	EM-1	Standard Machining Service	593
EF-145	Hanger Clip 5/16" wide slot	303	EM-2	Standard Machining Service	593
EF-146A	Tool Hanger	305	EM-3C	Standard Machining Service	595
EF-146	Tool Hanger	305	EM-3P	Standard Machining Service	600
EF-150	Conveyor Roller Mounting Block	276	EM-3	Standard Machining Service	595
EF-151	Conveyor Roller Mounting Block	276	EM-4L	Standard Machining Service	599
EF-155-.50	Zinc Plated Hex Cap Screw	282	EM-4N	Standard Machining Service	600
EF-155-.63	Zinc Plated Hex Cap Screw	282	EM-4S	Standard Machining Service	599
EF-155-.75	Zinc Plated Hex Cap Screw	282	EM-5	Standard Machining Service	596
EF-155-.875	Zinc Plated Hex Cap Screw	282	EM-6	Standard Machining Service	600
EF-155-1.0	Zinc Plated Hex Cap Screw	282	EM-7	Standard Machining Service	596
EF-155-1.25	Zinc Plated Hex Cap Screw	282	EM-8	Standard Machining Service	598
EF-155-1.50	Zinc Plated Hex Cap Screw	282	EM-9	Standard Machining Service	598
EF-155M-12	Zinc Plated Hex Cap Screw	282	EM-10	Standard Machining Service	600
EF-155M-16	Zinc Plated Hex Cap Screw	282	EM-13	Standard Machining Service	599
EF-155M-20	Zinc Plated Hex Cap Screw	282	ER	T-slot Roller	252
EF-155M-25	Zinc Plated Hex Cap Screw	282	ER-BL	Door Roller Block Assembly	254
EF-155M-30	Zinc Plated Hex Cap Screw	282	ETH	Tool Hanger	304
EF-156-.50	Flat Head Socket Cap Screw	281	EX-1	Structural Aluminum Extrusion	29
EF-156-.63	Flat Head Socket Cap Screw	281	EX-2	Structural Aluminum Extrusion	30
EF-156-.75	Flat Head Socket Cap Screw	281	EX-3	Structural Aluminum Extrusion	31
EF-156-.88	Flat Head Socket Cap Screw	281	EX-6	Structural Aluminum Extrusion	29
EF-156-1.0	Flat Head Socket Cap Screw	281	EX-7	SMOOTH-Series Structural Aluminum Extrusion	39
EF-156-1.25	Flat Head Socket Cap Screw	281	EX-8	SMOOTH-Series Structural Aluminum Extrusion	39
EF-156SS-.50	Stainless Steel Flat Head Socket Cap Screw	281	EX-9	Structural Aluminum Extrusion	30
EF-156SS-.63	Stainless Steel Flat Head Socket Cap Screw	281	EX-11	Aluminum Extrusion	336
EF-156SS-.75	Stainless Steel Flat Head Socket Cap Screw	281	EX-12	Aluminum Extrusion	336
EF-157-.50	Flat Head Socket Cap Screw	281	EX-13	Aluminum Extrusion	337
EF-157-.63	Flat Head Socket Cap Screw	281	EX-14	Smooth-Series Aluminum Extrusion ...	338
EF-157-.75	Flat Head Socket Cap Screw	281	EX-15ANDZ	Structural Angle Bracket Profile	588
EF-157-1.0	Flat Head Socket Cap Screw	281	EX-15	Structural Angle Bracket Profile	588
EF-157SS-.50	Stainless Steel Flat Head Socket Cap Screw	281	EX-16ANDZ	Structural Angle Bracket Profile	588

EX-16	Structural Angle Bracket Profile.....	588	MT-MCL-SN	Sensor	328
EX-17ANDZ	Structural Angle Bracket Profile.....	589	MT-MCL-SP	Sensor	328
EX-17	Structural Angle Bracket Profile.....	589	MT-MFLD-L8	Vacuum or Pneumatic Manifold.....	333
EX-18ANDZ	Structural Angle Bracket Profile.....	589	MT-MFLD-L12	Vacuum or Pneumatic Manifold.....	333
EX-18	Structural Angle Bracket Profile.....	589	MT-MFLD-S8	Vacuum or Pneumatic Manifold.....	333
EX-22	Aluminum Extrusion	337	MT-MFLD-S12	Vacuum or Pneumatic Manifold.....	333
EX-24	Aluminum Extrusion	338	MT-QCMG-A	Electromagnet Quick Change Module ..	325
EX-26	Structural Aluminum Extrusion	32	MT-QCMG-B	Electromagnet Quick Change Module ..	325
EX-30ANDZ	Angle Bracket Profile	592	MT-QCPN-A	Pneumatic Quick Change Module	326
EX-30	Angle Bracket Profile	592	MT-QCPN-B	Pneumatic Quick Change Module	326
EX-31ANDZ	Angle Bracket Profile	592	MT-SAS	Small Vacuum Assembly Plate	322
EX-31	Angle Bracket Profile	592	MT-ST-A	Small Vacuum Stem	317
EX-32ANDZ	Angle Bracket Profile	592	MT-ST-B	Small Vacuum Stem	317
EX-32	Angle Bracket Profile	592	MT-ST-C	Small Vacuum Stem	317
EX-33ANDZ	Angle Bracket Profile	592	MT-ST-D	Medium Vacuum Stem	318
EX-33	Angle Bracket Profile	592	MT-ST-E	Medium Vacuum Stem	318
EX-34ANDZ	Structural Angle Bracket Profile.....	590	MT-ST-F	Large Vacuum Stem	319
EX-34	Structural Angle Bracket Profile.....	590	MT-ST-G	Large Vacuum Stem	319
EX-36	Structural Aluminum Extrusion	33	MT-ST-H	Large Vacuum Stem	319
EX-37	Structural Aluminum Extrusion	32	MT-ST-I	Large Vacuum Stem	319
EX-45HD	Structural Aluminum Extrusion	34	MT-ST-J	Large Vacuum Stem	319
EX-52	SMOOTH-Series Structural Aluminum Extrusion	41	MT-ST-K	Large Vacuum Stem	319
EX-53	Door Stop	591	MT-STL--CL	Large Vacuum Stem Assembly.....	321
EX-54	SMOOTH-Series Structural Aluminum Extrusion	42	MT-STL--SP	Large Vacuum Stem Assembly.....	321
EX-56	Door Stop (Light Blocking).....	202	MT-VA-4C	Vacuum Arm.....	320
EX-60	Structural Aluminum Extrusion	33	MT-VA-4T	Vacuum Arm.....	320
EX-61	SMOOTH-Series Structural Aluminum Extrusion	37	MT-VA-6B	Vacuum Arm.....	320
EX-63	SMOOTH-Series Structural Aluminum Extrusion	37	MT-VA-6C	Vacuum Arm.....	320
EX-64	SMOOTH-Series Structural Aluminum Extrusion	38	MT-VA-6T	Vacuum Arm.....	320
EX-65	SMOOTH-Series Structural Aluminum Extrusion	38	MT-VA-BC	Vacuum Arm.....	320
EX-66	SMOOTH-Series Structural Aluminum Extrusion	40	P2-XXXX-XX-X	FastFrame Panel	17
EX-67	Structural Aluminum Extrusion	31	PM-2B	Pneumatic Manifold End Plate and Gasket	300
EX-68	SMOOTH-Series Structural Aluminum Extrusion	40	PM-2	Pneumatic Manifold End Plate and Gasket.....	300
EX-69	SMOOTH-Series Structural Aluminum Extrusion	41	PM-3B	Pneumatic Manifold End Plate and Gasket.....	301
EX-70	Smooth-Series Aluminum Extrusion ..	339	PM-3	Pneumatic Manifold End Plate and Gasket.....	301
EX-71	Smooth-Series Aluminum Extrusion ..	339	PM-31	Pressure Manifold Plate.....	302
EX-72	Smooth-Series Aluminum Extrusion ..	340	PM-32	Pressure Manifold Plate.....	302
EX-73	Smooth-Series Aluminum Extrusion ..	340	S-XXXX-XX-X	FastFrame Standard Duty Base.....	22
EX-82	SMOOTH-Series Structural Aluminum Extrusion	42	VB-5-S	Vacuum Cup	313
EX-83	Structural Aluminum Extrusion	34	VB-5	Vacuum Cup	313
H-XXXX-XX-X	FastFrame Heavy Duty Base.....	22	VB-10-S	Vacuum Cup	313
L-XXXX-XX-X	FastFrame Light Duty Base	22	VB-10	Vacuum Cup	313
MT-LAS	Large Vacuum Assembly Plate	324	VB-15-S	Vacuum Cup	313
MT-MAS	Medium Vacuum Assembly Plate	323	VB-15	Vacuum Cup	313
MT-MCA-4C	Mini Clamp Mounting Arm	329	VB-20-S	Vacuum Cup	313
MT-MCA-6C	Mini Clamp Mounting Arm	329	VB-20	Vacuum Cup	313
MT-MCL-1	90° Mini Clamp (Standard).....	327	VB-30-S	Vacuum Cup	313
MT-MCL-2	90° Mini Clamp (Sensor).....	328	VB-30	Vacuum Cup	313
			VB-50-S	Vacuum Cup	313
			VB-50	Vacuum Cup	313
			VB-75-S	Vacuum Cup	313
			VB-75	Vacuum Cup	313
			VB-110-S	Vacuum Cup	313
			VB-110	Vacuum Cup	313

VF-20-S	Vacuum Cup	315
VF-20	Vacuum Cup	315
VF-30-S	Vacuum Cup	315
VF-30	Vacuum Cup	315
VF-50-S	Vacuum Cup	315
VF-50	Vacuum Cup	315
VF-75-S	Vacuum Cup	315
VF-75	Vacuum Cup	315
VF-110-S	Vacuum Cup	315
VF-110	Vacuum Cup	315
VGEN-1	Vacuum Generator.....	330
VGEN-2	Vacuum Generator.....	331
VMB-20-S	Vacuum Cup	314
VMB-20	Vacuum Cup	314
VMB-30-S	Vacuum Cup	314
VMB-30	Vacuum Cup	314
VMB-50-S	Vacuum Cup	314
VMB-50	Vacuum Cup	314
VOC-35	Vacuum Cup Oval	316
VOC-60	Vacuum Cup Oval	316
VSW-1	Vacuum Switch.....	332
VU-6-S	Vacuum Cup	315
VU-6	Vacuum Cup	315
VU-10-S	Vacuum Cup	315
VU-10	Vacuum Cup	315