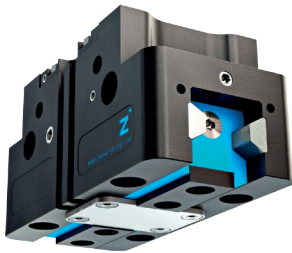


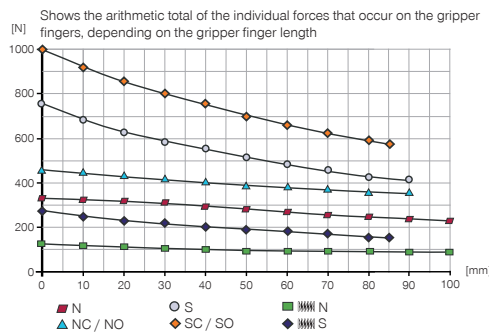
2-JAW PARALLEL GRIPPERS

INSTALLATION SIZE GPP5006

▶ PRODUCT SPECIFICATIONS

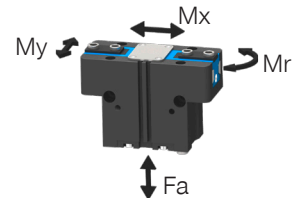


▶ Gripping force diagram



▶ Forces and moments

Displays static forces and moments that can also have an effect, besides the gripping force.



Mr [Nm]	43
Mx [Nm]	70
My [Nm]	46
Fa [N]	1250

▶ TECHNICAL DATA

▶ Technical Data*

Order no.	GPP5006N-00-A	GPP5006NC-00-A	GPP5006NO-00-A	GPP5006S-00-A	GPP5006SC-00-A	GPP5006SO-00-A
Stroke per jaw [mm]	6	6	6	3	3	3
Gripping force in closing [N]	330	455		740	1020	
Gripping force in opening [N]	360		485	800		1080
Gripping force secured by spring min. [N]		125	125		280	280
Closing time [s]	0.025	0.015	0.035	0.025	0.015	0.035
Opening time [s]	0.025	0.035	0.015	0.025	0.035	0.015
Permissible weight per jaw max [kg]	0.4	0.4	0.4	0.4	0.4	0.4
Length of the gripper fingers max. [mm]	100	90	90	90	85	85
Repetition accuracy +/- [mm]	0.01	0.01	0.01	0.01	0.01	0.01
Operating pressure min. [bar]	3	4	4	3	4	4
Operating pressure max. [bar]	8	7	7	8	7	7
Operating temperature [°C]	-10 ... +90	-10 ... +90	-10 ... +90	-10 ... +90	-10 ... +90	-10 ... +90
Air volume per cycle [cm³]	11	24	24	11	24	24
Protection to IEC 60529	IP64	IP64	IP64	IP64	IP64	IP64
Weight [kg]	0.28	0.35	0.35	0.28	0.35	0.35

▶ Technical Data - Protector Version

Order no.	GPP5006N-21-A	GPP5006NC-21-A	GPP5006NO-21-A	GPP5006S-21-A	GPP5006SC-21-A	GPP5006SO-21-A
Protection to IEC 60529	IP67**	IP67**	IP67**	IP67**	IP67**	IP67**
Weight [kg]	0.37	0.44	0.44	0.37	0.44	0.44

▶ Technical Data - High Temperature Version

Order no.	GPP5006N-20-A	GPP5006NC-20-A	GPP5006NO-20-A	GPP5006S-20-A	GPP5006SC-20-A	GPP5006SO-20-A
Operating temperature [°C]	-10 ... +130	-10 ... +130	-10 ... +130	-10 ... +130	-10 ... +130	-10 ... +130

▶ Technical Data - High Temperature Protector Version

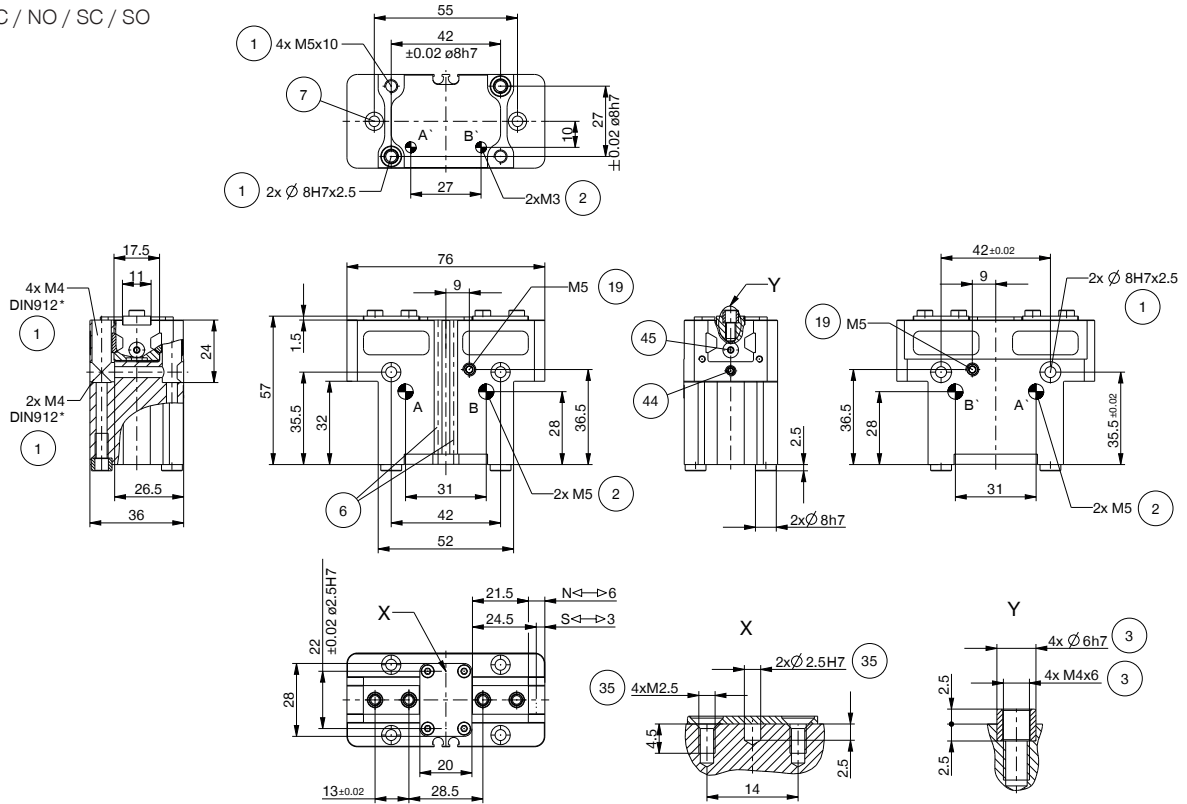
Order no.	GPP5006N-24-A	GPP5006NC-24-A	GPP5006NO-24-A	GPP5006S-24-A	GPP5006SC-24-A	GPP5006SO-24-A
Operating temperature [°C]	-10 ... +130	-10 ... +130	-10 ... +130	-10 ... +130	-10 ... +130	-10 ... +130
Protection to IEC 60529	IP67**	IP67**	IP67**	IP67**	IP67**	IP67**
Weight [kg]	0.37	0.44	0.44	0.37	0.44	0.44

*All data measured at 6 bar

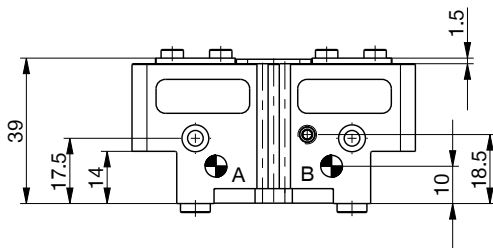
** with purged air (max. 0,5 bar)

TECHNICAL DRAWINGS

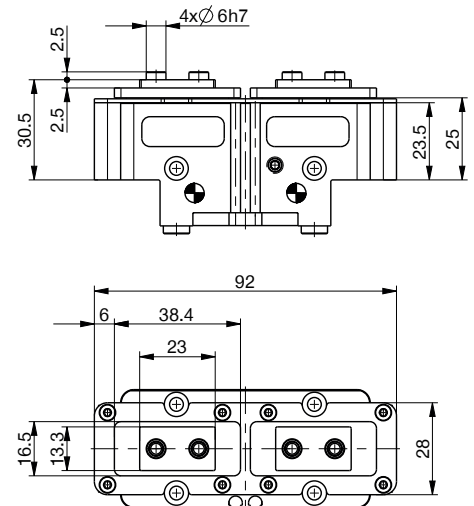
NC / NO / SC / SO



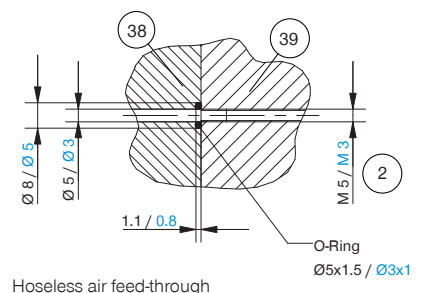
N / S



Protector version



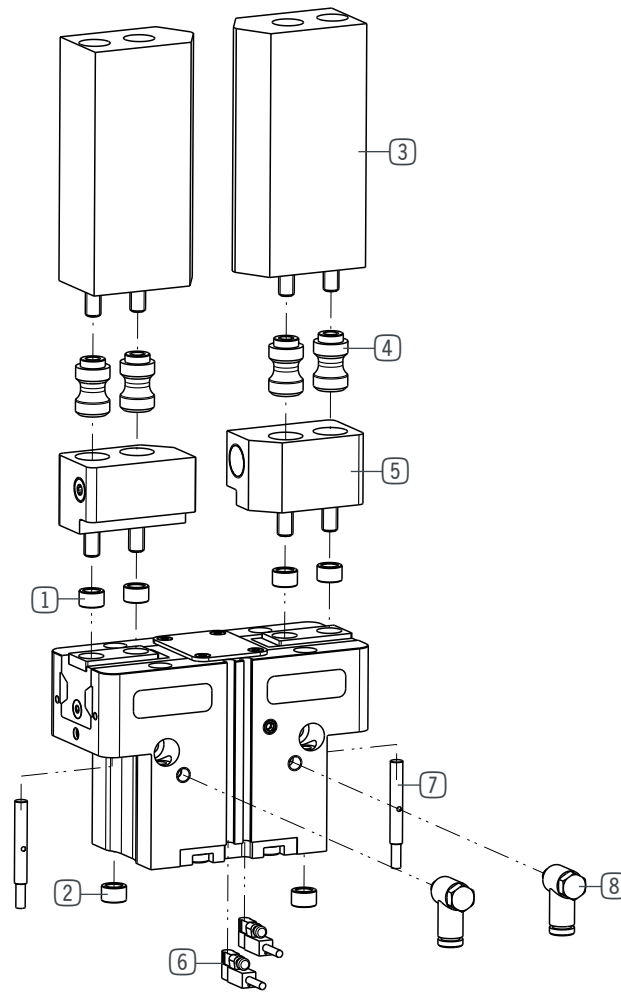
- ① Gripper attachment
- ② Energy supply
- ③ Fixing for gripper finger
- ④ 4x M5x10
- ⑤ 4x M4 DIN912*
- ⑥ Integrated slot for magnetic field sensor
- ⑦ Mounting block
- ⑧ Gripper
- ⑨ Gripper
- ⑩ Clamp for sensor
- ⑪ Switch cam adjustment
- ⑫ Air connection (close)
- ⑬ Air connection (open)
- ⑭ Air connection, alternative (close)
- ⑮ Air connection, alternative (open)
- ⑯ Air purge connection option
- ⑰ Attachment option for customer-specific fittings
- ⑱ Adapter



Hoseless air feed-through

2-JAW PARALLEL GRIPPERS

INSTALLATION SIZE GPP5006



▶ INCLUDED IN DELIVERY



Centering Disc

024230



Centering Disc

024231

▶ RECOMMENDED ACCESSORIES



Universal jaw aluminium

UB5006AL



Universal jaw steel

UB5006ST



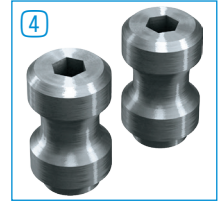
Aluminum adjustment jaw

EB5006AL



Steel adjustment jaw

EB5006ST



Changeable jaw, loose-part-set

WB5006L



Changeable jaw, fix-part

WB5006F



Inductive Proximity Switch Cable 0,3 m - Connector M8

NJ4-E2SK-01



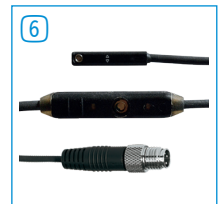
Magnetic field sensor Angled Cable 0,3 m - Connector M8

MFS103SKHC



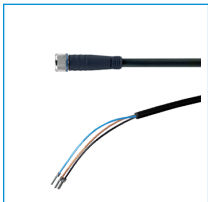
Magnetic field sensor Straight Cable 0,3 m - Connector M8

MFS204SKHC



2-Position-Sensor Cable 0,3 m - Connector M8

MFSP2SKHC-02



Plug-in connector Straight Cable 5m - Socket M8 (female)

KAG500



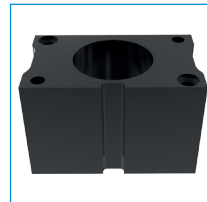
Angled Fittings - Quick Connect Style

WVM5



Pressure Safety Valve

DSV1-8



Compensation module N / S

ZUB5006PNS

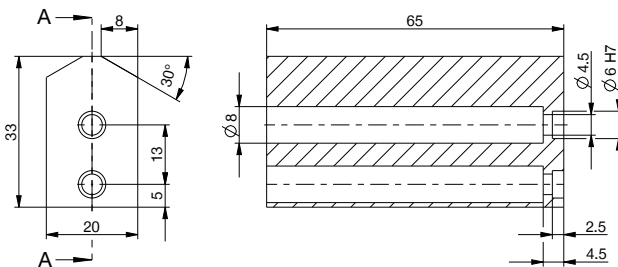


Compensation module NC / NO / SC / SO

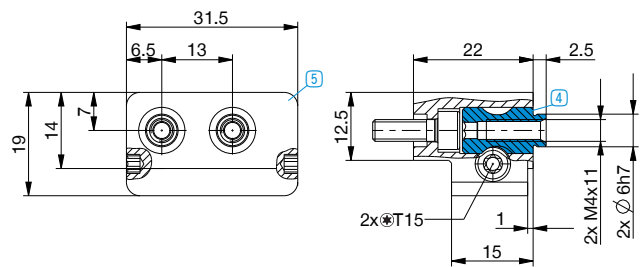
ZUB5006PCO

▶ TECHNICAL DRAWINGS ACCESSORIES

One universal jaw is required for each gripper jaw **3**



For each gripper jaw, one interchangeable jaw loose part set **4** and one interchangeable jaw fixed part **5** are needed



Compensation module for compensating for the height differences between the pneumatic and electric gripper version

