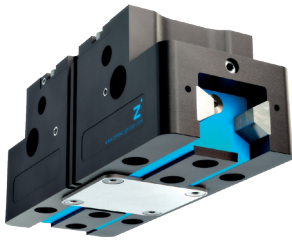


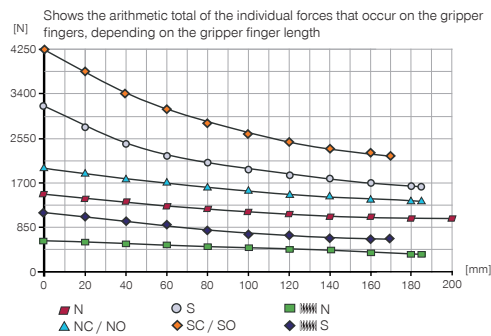
# 2-JAW PARALLEL GRIPPERS

## INSTALLATION SIZE GPP5013

### ▶ PRODUCT SPECIFICATIONS

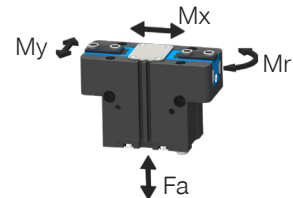


#### ▶ Gripping force diagram



#### ▶ Forces and moments

Displays static forces and moments that can also have an effect, besides the gripping force.



Mr [Nm]	110
Mx [Nm]	150
My [Nm]	130
Fa [N]	3300

### ▶ TECHNICAL DATA

#### ▶ Technical Data\*

Order no.	GPP5013N-00-A	GPP5013NC-00-A	GPP5013NO-00-A	GPP5013S-00-A	GPP5013SC-00-A	GPP5013SO-00-A
Stroke per jaw [mm]	13	13	13	6	6	6
Gripping force in closing [N]	1410	1920		3100	4220	
Gripping force in opening [N]	1490		1860	3280		4400
Gripping force secured by spring min. [N]		510	510		1120	1120
Closing time [s]	0.09	0.07	0.11	0.09	0.07	0.11
Opening time [s]	0.09	0.11	0.08	0.09	0.11	0.08
Permissible weight per jaw max [kg]	2.4	2.4	2.4	2.4	2.4	2.4
Length of the gripper fingers max. [mm]	200	185	185	185	170	170
Repetition accuracy +/- [mm]	0.01	0.01	0.01	0.01	0.01	0.01
Operating pressure min. [bar]	3	4	4	3	4	4
Operating pressure max. [bar]	8	7	7	8	7	7
Operating temperature [°C]	-10 ... +90	-10 ... +90	-10 ... +90	-10 ... +90	-10 ... +90	-10 ... +90
Air volume per cycle [cm³]	88	171	171	88	171	171
Protection to IEC 60529	IP64	IP64	IP64	IP64	IP64	IP64
Weight [kg]	1.5	1.9	1.9	1.5	1.9	1.9

#### ▶ Technical Data - Protector Version

Order no.	GPP5013N-21-A	GPP5013NC-21-A	GPP5013NO-21-A	GPP5013S-21-A	GPP5013SC-21-A	GPP5013SO-21-A
Protection to IEC 60529	IP67**	IP67**	IP67**	IP67**	IP67**	IP67**
Weight [kg]	1.86	2.26	2.26	1.86	2.26	2.26

#### ▶ Technical Data - High Temperature Version

Order no.	GPP5013N-20-A	GPP5013NC-20-A	GPP5013NO-20-A	GPP5013S-20-A	GPP5013SC-20-A	GPP5013SO-20-A
Operating temperature [°C]	-10 ... +130	-10 ... +130	-10 ... +130	-10 ... +130	-10 ... +130	-10 ... +130

#### ▶ Technical Data - High Temperature Protector Version

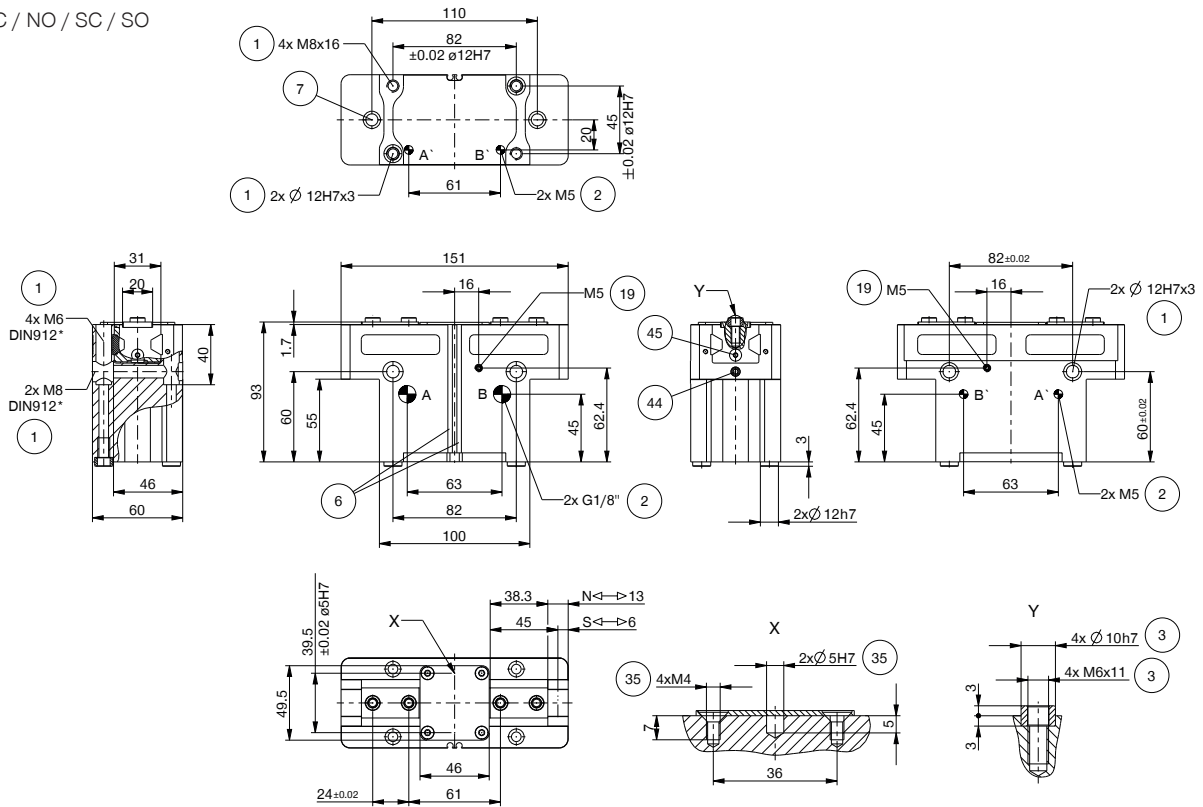
Order no.	GPP5013N-24-A	GPP5013NC-24-A	GPP5013NO-24-A	GPP5013S-24-A	GPP5013SC-24-A	GPP5013SO-24-A
Operating temperature [°C]	-10 ... +130	-10 ... +130	-10 ... +130	-10 ... +130	-10 ... +130	-10 ... +130
Protection to IEC 60529	IP67**	IP67**	IP67**	IP67**	IP67**	IP67**
Weight [kg]	1.86	2.26	2.26	1.86	2.26	2.26

\*All data measured at 6 bar

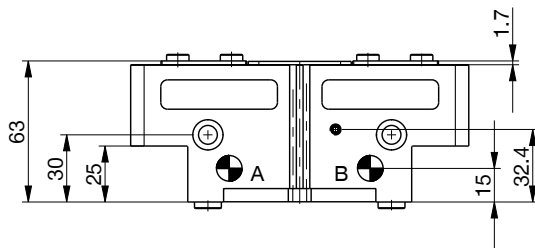
\*\* with purged air (max. 0,5 bar)

## TECHNICAL DRAWINGS

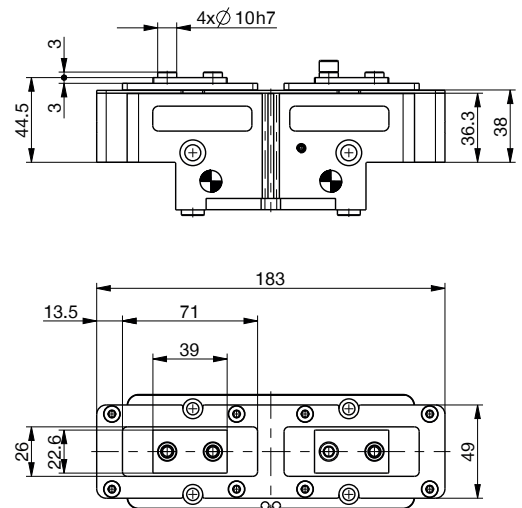
NC / NO / SC / SO



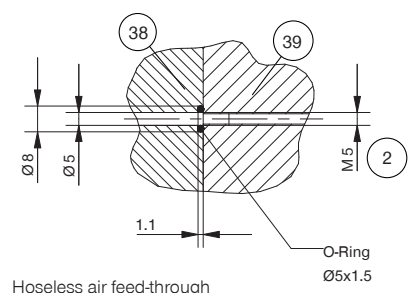
N / S



Protector version

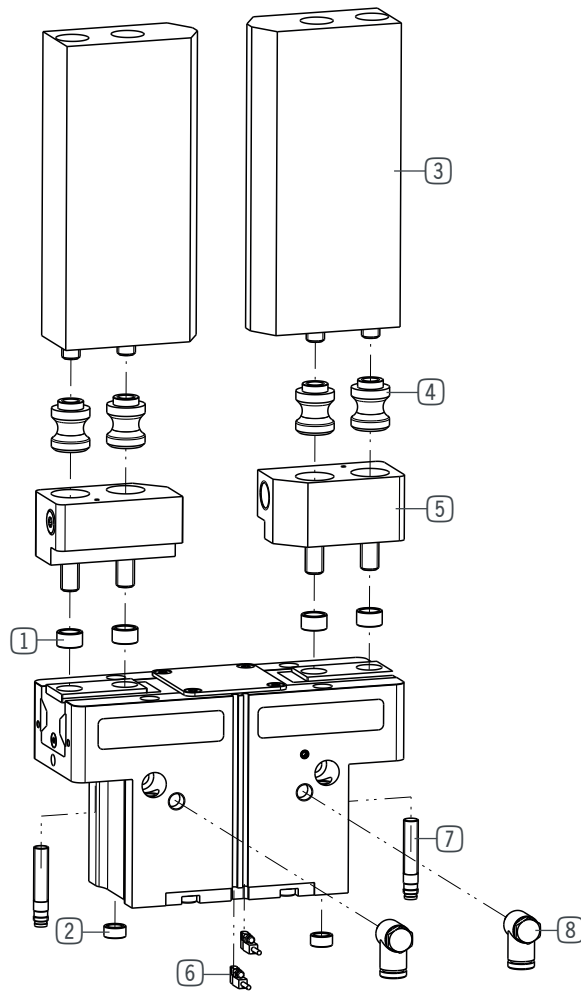


- |  |                                       |
|--|---------------------------------------|
| ① Gripper attachment                               | ③⑨ Gripper                            |
| ② Energy supply                                    | ④④ Clamp for sensor                   |
| ③ Fixing for gripper finger                        | ④⑤ Switch cam adjustment              |
| ⑥ Integrated slot for magnetic field sensor        | Ⓐ Air connection (close)              |
| ⑦ Mounting block                                   | Ⓑ Air connection (open)               |
| ⑱ Air purge connection option                      | Ⓐ Air connection, alternative (close) |
| ⑳ Attachment option for customer-specific fittings | Ⓑ Air connection, alternative (open)  |
| ㉔ Adapter  |                                       |



# 2-JAW PARALLEL GRIPPERS

## INSTALLATION SIZE GPP5013



### ▶ INCLUDED IN DELIVERY



Centering Disc

018187



Centering Disc

019280

## ▶ RECOMMENDED ACCESSORIES



Universal jaw aluminium

**UB5013AL**



Universal jaw steel

**UB5013ST**



Aluminum adjustment jaw

**EB5013AL**



Steel adjustment jaw

**EB5013ST**



Changeable jaw, loose-part-set

**WB5013L**



Changeable jaw, fix-part

**WB5013F**



Inductive proximity switch - Connector M8

**NJ8-E2S**



Magnetic field sensor Angled Cable 0,3 m - Connector M8

**MFS103SKHC**



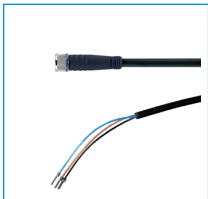
Magnetic field sensor Straight Cable 0,3 m - Connector M8

**MFS204SKHC**



2-Position-Sensor Cable 0,3 m - Connector M8

**MFSP2SKHC-02**



Plug-in connector Straight Cable 5m - Socket M8 (female)

**KAG500**



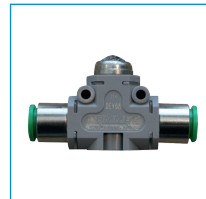
Plug-in connector customizable Straight - Connector M8

**S8-G-3**



Angled Fittings - Quick Connect Style

**WV1-8X6**



Quick Exhaust Valve

**DEV06**

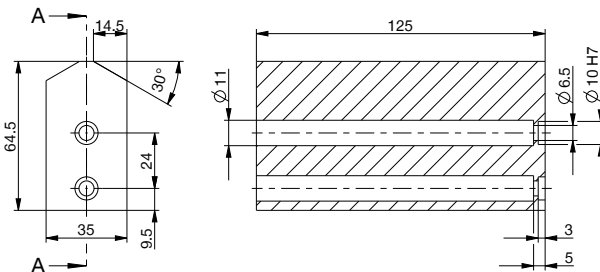


Pressure Safety Valve

**DSV1-8**

## ▶ TECHNICAL DRAWINGS ACCESSORIES

One universal jaw is required for each gripper jaw **3** A-A



For each gripper jaw, one interchangeable jaw loose part set **4** and one interchangeable jaw fixed part **5** are needed

