

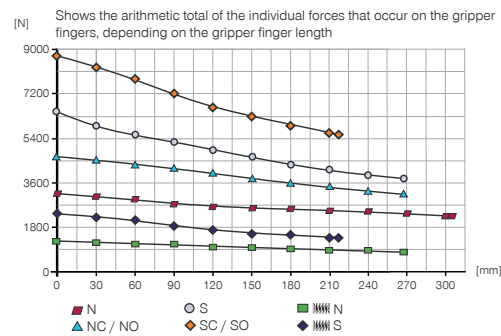
2-JAW PARALLEL GRIPPERS

INSTALLATION SIZE GPP5025

▶ PRODUCT SPECIFICATIONS

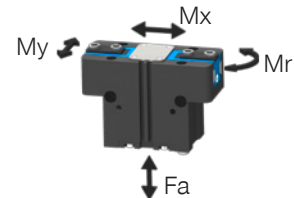


▶ Gripping force diagram



▶ Forces and moments

Displays static forces and moments that can also have an effect, besides the gripping force.



Mr [Nm]	180
Mx [Nm]	205
My [Nm]	225
Fa [N]	7500

▶ TECHNICAL DATA

▶ Technical Data*

Order no.	GPP5025N-00-A	GPP5025NC-00-A	GPP5025NO-00-A	GPP5025S-00-A	GPP5025SC-00-A	GPP5025SO-00-A
Stroke per jaw [mm]	25	25	25	14	14	14
Gripping force in closing [N]	3280	4510		6360	8730	
Gripping force in opening [N]	3490		4710	6760		9130
Gripping force secured by spring min. [N]		1220	1220		2370	2370
Closing time [s]	0.33	0.28	0.57	0.33	0.28	0.57
Opening time [s]	0.33	0.57	0.28	0.33	0.57	0.28
Permissible weight per jaw max [kg]	7	7	7	7	7	7
Length of the gripper fingers max. [mm]	310	265	265	265	220	220
Repetition accuracy +/- [mm]	0.02	0.02	0.02	0.02	0.02	0.02
Operating pressure min. [bar]	3	4	4	3	4	4
Operating pressure max. [bar]	8	7	7	8	7	7
Operating temperature [°C]	-10 ... +90	-10 ... +90	-10 ... +90	-10 ... +90	-10 ... +90	-10 ... +90
Air volume per cycle [cm³]	420	830	830	420	830	830
Protection to IEC 60529	IP64	IP64	IP64	IP64	IP64	IP64
Weight [kg]	6.1	7.65	7.65	6.1	7.65	7.65

▶ Technical Data - Protector Version

Order no.	GPP5025N-21-A	GPP5025NC-21-A	GPP5025NO-21-A	GPP5025S-21-A	GPP5025SC-21-A	GPP5025SO-21-A
Protection to IEC 60529	IP67**	IP67**	IP67**	IP67**	IP67**	IP67**
Weight [kg]	7.20	8.75	8.75	7.2	8.75	8.75

▶ Technical Data - High Temperature Version

Order no.	GPP5025N-20-A	GPP5025NC-20-A	GPP5025NO-20-A	GPP5025S-20-A	GPP5025SC-20-A	GPP5025SO-20-A
Operating temperature [°C]	-10 ... +130	-10 ... +130	-10 ... +130	-10 ... +130	-10 ... +130	-10 ... +130

▶ Technical Data - High Temperature Protector Version

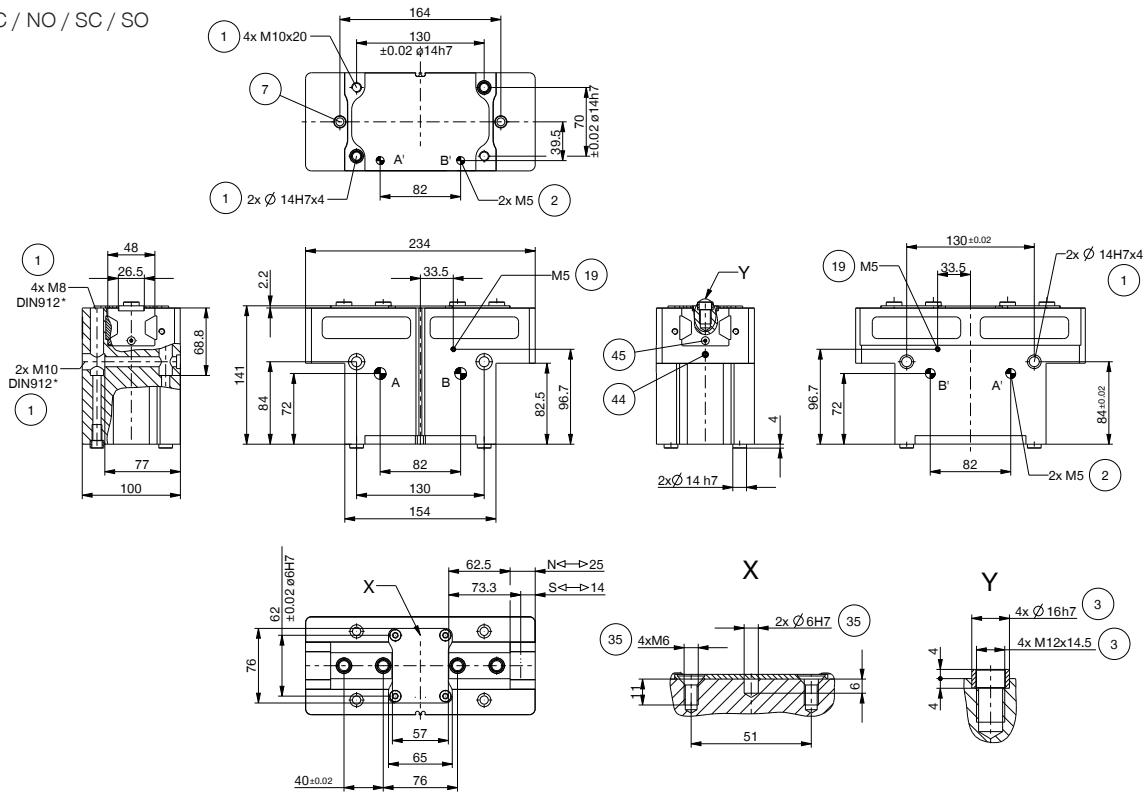
Order no.	GPP5025N-24-A	GPP5025NC-24-A	GPP5025NO-24-A	GPP5025S-24-A	GPP5025SC-24-A	GPP5025SO-24-A
Operating temperature [°C]	-10 ... +130	-10 ... +130	-10 ... +130	-10 ... +130	-10 ... +130	-10 ... +130
Protection to IEC 60529	IP67**	IP67**	IP67**	IP67**	IP67**	IP67**
Weight [kg]	7.20	8.75	8.75	7.2	8.75	8.75

*All data measured at 6 bar

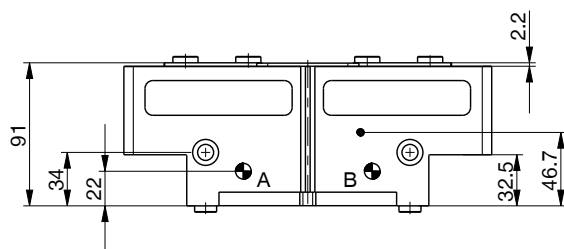
** with purged air (max. 0,5 bar)

▶ TECHNICAL DRAWINGS

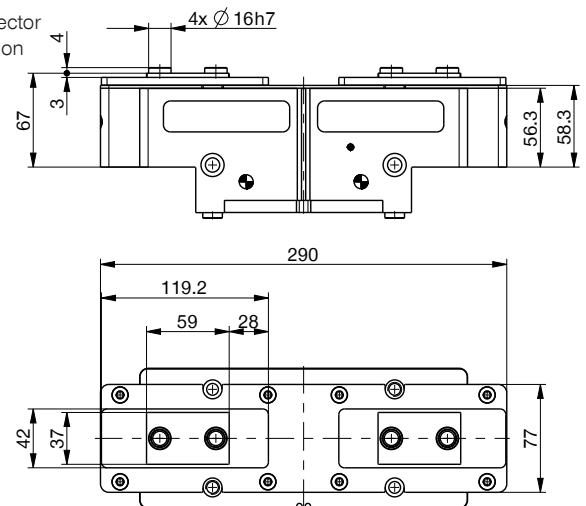
NC / NO / SC / SO



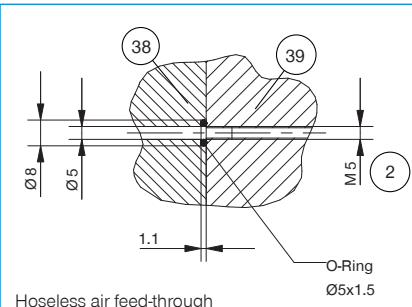
N / S



Protector
version



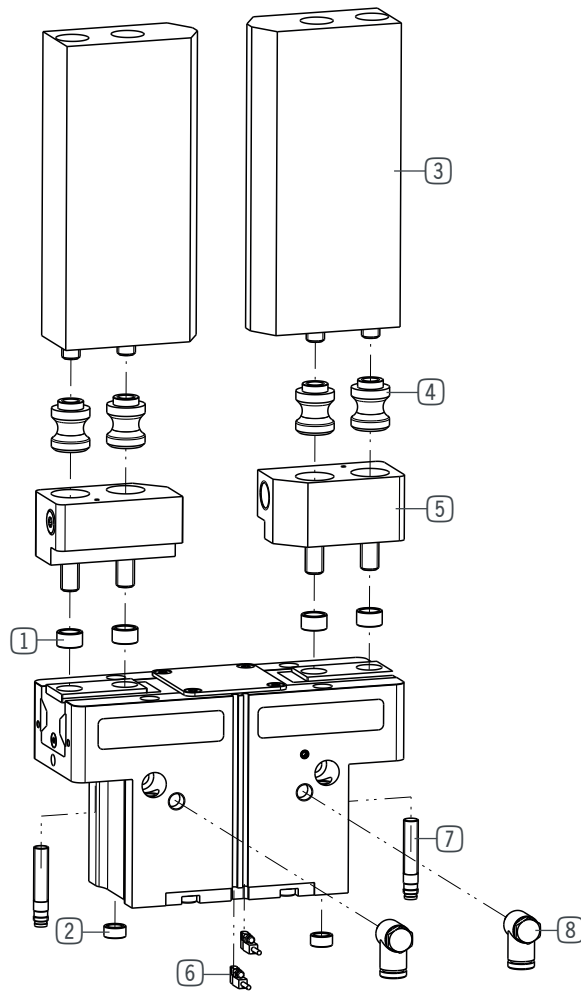
- ① Gripper attachment
- ② Energy supply
- ③ Fixing for gripper finger
- ④ Integrated slot for magnetic field sensor
- ⑦ Mounting block
- ⑱ Air purge connection option
- ⑳ Attachment option for customer-specific fittings
- ㉔ Adapter
- ㉙ Gripper
- ㉚ Clamp for sensor
- ㉛ Switch cam adjustment
- Ⓐ Air connection (close)
- Ⓑ Air connection (open)
- Ⓐ Air connection, alternative (close)
- Ⓑ Air connection, alternative (open)



Hoseless air feed-through

2-JAW PARALLEL GRIPPERS

INSTALLATION SIZE GPP5025



▶ INCLUDED IN DELIVERY



Centering Disc

030529



Centering Disc

019387

▶ RECOMMENDED ACCESSORIES



Universal jaw aluminium

UB5025AL



Universal jaw steel

UB5025ST



Aluminum adjustment jaw

EB5025AL



Steel adjustment jaw

EB5025ST



Changeable jaw, loose-part-set

WB5025L



Changeable jaw, fix-part

WB5025F



Inductive proximity switch - Connector M8

NJ8-E2S



Magnetic field sensor Angled Cable 0,3 m - Connector M8

MFS103SKHC



Magnetic field sensor Straight Cable 0,3 m - Connector M8

MFS204SKHC



2-Position-Sensor Cable 0,3 m - Connector M8

MFSP2SKHC-02



Plug-in connector Straight Cable 5m - Socket M8 (female)

KAG500



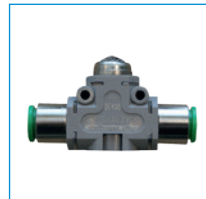
Plug-in connector customizable Straight - Connector M8

S8-G-3



Angled Fittings - Quick Connect Style

WV1-8X8



Quick Exhaust Valve

DEV08



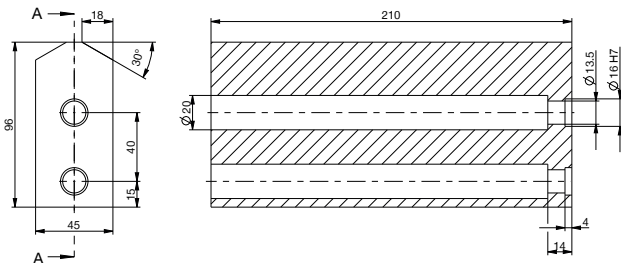
Pressure Safety Valve

DSV1-8

▶ TECHNICAL DRAWINGS ACCESSORIES

One universal jaw is required for each gripper jaw **3**

A-A



For each gripper jaw, one interchangeable jaw loose part set **4** and one interchangeable jaw fixed part **5** are needed

