

cylinders

ISO/VDMA Series

ISO 6431 and VDMA 24562 Cylinder Line



numatics

Table of Contents

NUMATICS®

ISO/VDMA Series	3-22
Features and Benefits	3
How to Order	4
Technical Information	5
Dimensions	
Profile Version	6-7
Tie-Rod Version	8-9
Mounting Parts	10-16
Switches	17
Cords M8-thread for Switches and Sensors with Connector	17
LP Series for Cylinders of Profile Type	18
Global Switches	19-20
World Switches	21-22

Air-Oil Systems, Inc. www.airoil.com



The ISO/VDMA Series is an aluminum body air cylinder line that is designed to meet all of your international cylinder requirements. In fact, our ISO/VDMA Series cylinders are designed to meet the requirements of ISO 6431 (International) and VDMA 24562 (Germany). The combination of lightweight aluminum construction and proven reliability makes our ISO/VDMA Series the Superior Interchangeable metric, international standard air cylinder line.

Standard Specifications:

- Conforms to the following standards:
 - ~ ISO 6431 (International)
 - ~ VDMA 24562 (Germany)
- Bore sizes from 32 mm through 250 mm
- Nominal pressure rating is 10 bar (150 psi)
- Magnetic piston standard
- Complete range of mounting accessories:
 - ~ Flange mounts
 - Front and rear
 - ~ Clevis mounts
 - Rear clevis
 - Rod clevis
 - Rod eye
 - ~ Foot brackets
 - ~ Oscillating brackets
- Double acting
- Single and double rod end
- Tube made from anodized aluminum with wear resistant coating
- Flush switch mounting in cylinder tube (when using profile tubing)
- Adjustable cushions
- Temperature range:
 - ~ -20° C to + 80° C
 - ~ -5° F to + 175° F
- Seals made from Buna-N and Polyurethane
- Non-lube added service



Air-Oil Systems, Inc. www.air-oil.com



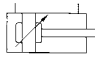
ISO/VDMA Series Metric Standard Interchangeable

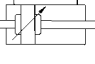
How to Order

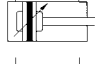
Z G 050 / 0080 C08 A1


Cylinder Series
 Z = Tie-Rod Version
 W = Profile Version

Cylinder Function Cylinder Type

A =  Heat Resistant Type Up to +180°C (Viton® - Seals)
Single Rod End w/o Magnet

B =  Heat Resistant Type Up to +180°C (Viton® - Seals)
Double Rod End w/o Magnet

G =  Single Rod End with Magnet

H =  Double Rod End with Magnet

Piston Diameter
 032 = 32 mm (1.26)
 040 = 40 mm (1.57)
 050 = 50 mm (1.97)
 063 = 63 mm (2.48)
 080 = 80 mm (3.15)
 100 = 100 mm (3.94)
 125* = 125 mm (4.92)
 160* = 160 mm (6.30)
 200* = 200 mm (7.78)
 *Only for tie-rod version.

Stroke*
 0025 = 25 mm (0.98)
 0050 = 50 mm (1.97)
 0080 = 80 mm (3.15)
 0100 = 100 mm (3.94)
 0125 = 125 mm (4.92)
 0160 = 160 mm (6.30)
 0200 = 200 mm (7.78)
 0250 = 250 mm (9.84)
 0320 = 320 mm (12.60)
 0400 = 400 mm (15.75)
 0500 = 500 mm (19.69)
 * Further strokes on request.

Options*
 00 = Stainless Steel Rod and Jam Nut
 A1 = Hard Piston Rod, Chrome Plated (Standard)
 1A = Rod Extension (must specify length)
 2A = Thread Extension (must specify length)
 1R = Special Rod End
 * More Options on Request

Cylinder Including Mounting Parts
 C01 = Foot Bracket (MS1)
 CF2 = Flange to VDMA 24562 T.2 (MF1, MF2), Front Side
 CR2 = Flange to VDMA 24562 T.2 (MF1, MF2), Back Side
 C03 = Foot Bracket (Plain)
 CF4 = Rod Clevis, Front Side
 CD4 = Rod Clevis, Both Sides (Only Type H)
 CF5 = Oscillating Clevis, Front Side
 CD5 = Oscillating Clevis, Both Sides (Only Type H)
 C07 = Oscillating Brackets to VDMA 24562 T.2 (MP4), with Lugs
 C08 = Oscillating Brackets to VDMA 24562 T.2 (MP2), Fork Type
 C09 = Pivot to VDMA 24562 T.2 (MT4), Only for Cylinders of Tie-Rod Version
 CV9 = Pivot to VDMA 24562 T.2 (MT4) Swivelled, Only for Tie-Rod Version
 C10 = Pivot Fastening, End Cap Mounting Front Side
 C13 = Oscillating Joint Bracket (Spherical)
 C14 = Oscillating Brackets to VDMA 24562 T.2, Fork Type, Narrow Clevis
 BOV = Piston rod extended for mounting of RL Series Rod Locking Unit
 BMV = RL Series Rod Locking Unit assembled to the cylinder
 BOI = Nu
 BMI = Nu

Order example: ZG050/0080C08A1

Here we have a double acting tie rod version cylinder with single rod end. Piston diameter is 50 mm and stroke 80 mm. The cylinder is equipped with a magnet for switch sensing and has cushioning.

The cylinder will be mounted with oscillating brackets, fork type.

Optionally it has a hard chrome plated piston rod.



Technical Information

Theoretical Force Table for Double Acting Cylinders with Piston Diameters 32 mm (1.26) to 200 mm (7.78)

PISTON DIAMETER mm (inches)	PISTON ROD DIAMETER mm (inches)	EFFECTIVE PISTON SURFACE mm ² (cm ²)	PRESSURE (bar)									
			2	3	4	5	6	7	8	9	10	
32 (1.26)	12.0 (0.47)	for extend	8.0 (0.12)	141	212	282	353	424	494	565	636	706
		for retract	6.9 (0.11)	122	182	243	304	366	427	488	549	610
40 (1.57)	16.0 (0.63)	for extend	12.6 (0.20)	223	334	445	555	667	780	893	1001	1109
		for retract	10.6 (0.16)	187	281	375	468	561	655	748	843	936
50 (1.97)	16.0 (0.63)	for extend	19.6 (0.30)	346	520	692	865	1040	1207	1383	1560	1727
		for retract	17.6 (0.27)	310	464	618	772	926	1080	1234	1388	1542
63 (2.48)	20.0 (0.79)	for extend	31.2 (0.48)	551	827	1099	1373	1648	1933	2207	2482	2757
		for retract	28.1 (0.44)	495	746	991	1236	1491	1736	1982	2237	2482
80 (3.15)	25.0 (0.98)	for extend	50.3 (0.78)	889	1334	1776	2217	2668	3110	3551	4002	4444
		for retract	45.3 (0.70)	800	1197	1599	2001	2403	2806	3198	3600	4002
100 (3.94)	25.0 (0.98)	for extend	78.5 (1.22)	1383	2080	2776	3463	4159	4856	5543	6239	6926
		for retract	73.6 (1.14)	1295	1952	2600	3247	3895	4552	5199	5847	6794
125 (4.92)	30.0 (1.18)	for extend	122.7 (1.90)	2168	3247	4336	5415	6497	7583	8662	9751	10830
		for retract	115.7 (1.79)	2036	3054	4072	5090	6108	7126	8144	9162	10180
160 (6.30)	40.0 (1.57)	for extend	201.1 (3.12)	3551	5327	7102	8878	10654	12429	14205	15980	17756
		for retract	188.5 (2.92)	3326	4993	6651	8319	9987	11644	13312	14970	16638
200 (7.87)	40.0 (1.57)	for extend	314.2 (4.87)	5563	8319	11095	13871	16648	19424	22190	24966	27743
		for retract	301.6 (4.68)	5327	7985	10654	13312	15971	18639	21297	23966	26624

Friction losses are considered with 10%

Table on air consumption for double acting cylinders with piston diameter 1.26 (32mm) to 7.87 (200mm)

PISTON DIAMETER mm (inches)	PRESSURE (bar)									
	2	3	4	5	6	7	8	9	10	
	AIR CONSUMPTION (l) PER 100 MM STROKE (UNCOMPRESSED AIR)									
32 (1.26)	0.47	0.65	0.80	0.96	1.13	1.25	1.43	1.60	1.95	
40 (1.57)	0.75	1.02	1.25	1.49	1.70	2.10	2.25	2.50	2.69	
50 (1.97)	1.20	1.58	2.02	2.40	2.80	3.12	3.52	3.96	4.31	
63 (2.48)	1.94	2.53	3.16	3.78	4.39	5.08	5.60	6.18	6.86	
80 (3.15)	3.03	4.07	5.03	6.07	7.02	8.01	9.02	9.92	10.95	
100 (3.94)	4.76	6.33	7.93	9.50	11.05	12.68	14.25	15.81	17.59	
125 (4.92)	7.90	10.41	12.92	15.73	17.91	20.62	23.20	25.70	29.50	
160 (6.30)	12.51	16.60	20.85	25.80	28.90	34.39	38.62	41.95	46.72	
200 (7.87)	19.82	26.31	33.82	39.95	46.81	52.90	59.30	66.90	72.90	

Value for 1 double stroke

Weights (kg)

CYLINDER TYPE WA; OR WG, PISTON DIAMETER	32	40	50	63	80	100				
0 mm stroke	0.57	0.82	1.32	1.70	2.79	3.86				
to be added per 3.94 (100mm) stroke	0.28	0.42	0.55	0.59	0.94	1.12				
CYLINDER TYPE WB; OR WH, PISTON DIAMETER	32	40	50	63	80	100				
0 mm stroke	0.65	0.93	1.57	1.98	1.92	4.34				
to be added per 3.94 (100mm) stroke	0.36	0.57	0.79	0.83	1.31	1.49				
CYLINDER TYPE ZA; OR ZG, PISTON DIAMETER	32	40	50	63	80	100	125	160	200	250*
0 mm stroke	0.55	0.76	1.29	1.67	2.72	3.70	5.37	10.75	14.75	31.45
to be added per 3.94 (100mm) stroke	0.23	0.32	0.51	0.54	0.81	0.87	1.39	1.80	2.20	8.20
* not for cylinder type ZG										
CYLINDER TYPE ZB; OR ZH, PISTON DIAMETER mm (inches)	32 (1.26)	40 (1.57)	50 (1.97)	63 (2.48)	80 (3.15)	100 (3.94)	125 (4.92)	160 (6.30)	200 (7.78)	250* (9.87)
0 mm stroke	0.68	0.88	1.54	1.95	3.15	4.18	6.27	12.49	17.14	36.55
to be added per 3.94 (100mm) stroke	0.31	0.47	0.75	0.78	1.18	1.24	2.02	2.60	3.18	10.70
* not for cylinder type ZH										

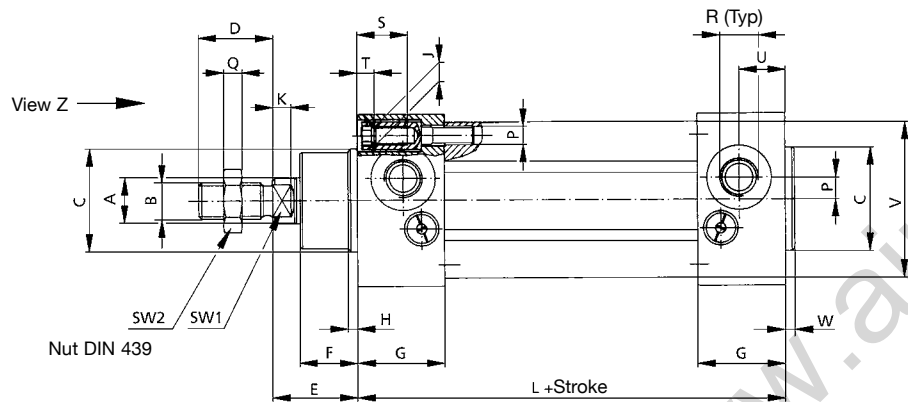


ISO/VDMA Series Metric Standard Interchangeable

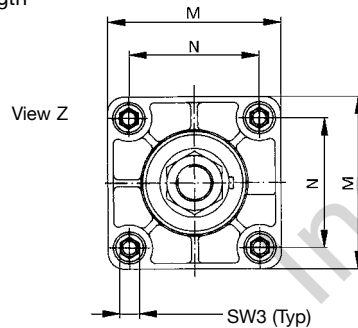
NUMATICS®

Profile Version

Double Acting Cylinder, Single Rod End, Types WA or WG



X= Internal Cushioning length



Repair Kits

CYLINDER TYPE

ORDER CODE

WA032/...

VA032/RK

WA100/...

VA100/RK

WG032/...

VG032/RK

WG100/...

VG100/RK

Dimensions (mm)

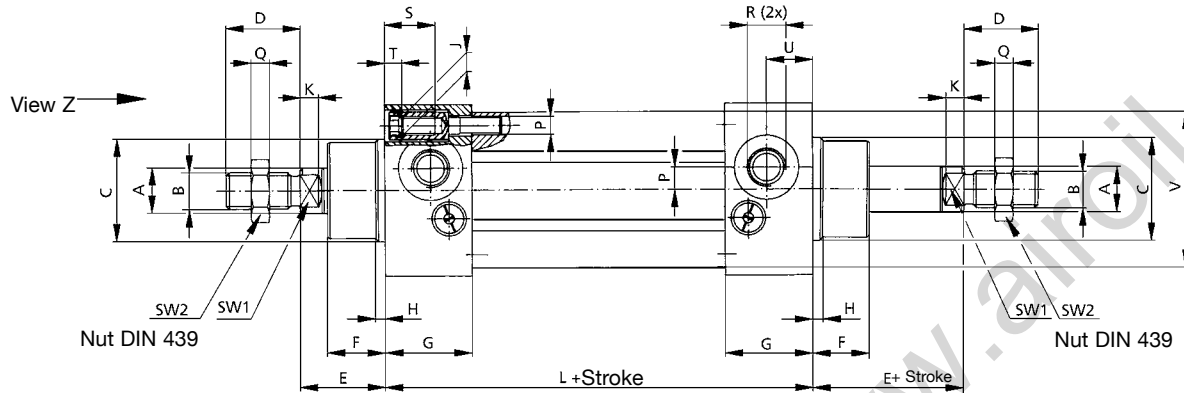
TYPE	PISTON DIAMETER	A Ø	B	C Ø	D±0.3	E±0.9	F±0.1	G	H	J	K	L	M
WA; WG	32	12.0	M10 x 1.25	30.0	22.0	26.0	16.0	33.0	4.0	M6	6.0	94 ± 0.4	47.0
WA; WG	40	16.0	M12 x 1.25	35.0	24.0	30.0	20.0	33.5	4.0	M6	6.5	105 ± 0.7	52.0
WA; WG	50	20.0	M16 x 1.5	40.0	32.0	37.0	25.0	36.0	4.0	M8	8.0	106 ± 0.7	65.0
WA; WG	63	20.0	M16 x 1.5	45.0	32.0	37.0	25.0	38.0	4.0	M8	8.0	121 ± 0.8	75.0
WA; WG	80	25.0	M20 x 1.5	45.0	40.0	46.0	30.0	41.5	4.0	M10	10.0	128 ± 0.8	95.0
WA; WG	100	25.0	M20 x 1.5	55.0	40.0	51.0	35.0	41.5	4.0	M10	10.0	138 ± 1	115.0

TYPE	PISTON DIAMETER	N	P	Q	R	S min.	T	U	V	W -0.1	X	SW1	SW2	SW3
WA; WG	32	32.5 ± 0.5	5.0	5.0	G 1/8	16.0	5.0	14.0	42.5	4.0	15.0	10	17	6
WA; WG	40	38.0 ± 0.5	6.0	6.0	G 1/4	16.0	5.0	15.0	50.5	4.0	19.0	13	19	6
WA; WG	50	46.5 ± 0.6	6.0	8.0	G 1/4	16.0	6.0	15.0	60.0	4.0	22.0	16	24	8
WA; WG	63	56.5 ± 0.7	9.5	8.0	G 3/8	16.0	6.0	20.0	70.0	4.0	30.0	16	24	8
WA; WG	80	72.0 ± 0.7	9.5	10.0	G 3/8	16.0	7.5	20.0	88.0	4.0	30.0	21	30	10
WA; WG	100	89.0 ± 0.7	12.0	10.0	G 1/2	16.0	7.5	25.0	106.0	4.0	27.0	21	30	10

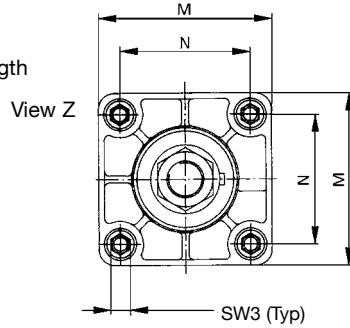


Profile Version

Double Acting Cylinder with/without Sensor, Double Rod End, Types WB or WH



X= Internal Cushioning length



Repair Kits

CYLINDER TYPE	ORDER CODE
WB032/...	VB032/RK
WB100/...	VB100/RK
WH032/...	VH032/RK
WH100/...	VH100/RK

Dimensions (mm)

TYPE	PISTON DIAMETER	A Ø	B	C Ø	D ±0.3	E ±0.9	F ±0.1	G	H	J	K	L
WB; WH	32	12.0	M10 x 1.25	30.0	22.0	26.0	16.0	33.0	4.0	M6	6.0	94 ± 0.4
WB; WH	40	16.0	M12 x 1.25	35.0	24.0	30.0	20.0	33.5	4.0	M6	6.5	105 ± 0.7
WB; WH	50	20.0	M16 x 1.5	40.0	32.0	37.0	25.0	36.0	4.0	M8	8.0	106 ± 0.7
WB; WH	63	20.0	M16 x 1.5	45.0	32.0	37.0	25.0	38.0	4.0	M8	8.0	121 ± 0.8
WB; WH	80	25.0	M20 x 1.5	45.0	40.0	46.0	30.0	41.5	4.0	M10	10.0	128 ± 0.8
WB; WH	100	25.0	M20 x 1.5	55.0	40.0	51.0	35.0	41.5	4.0	M10	10.0	138 ± 1

TYPE	PISTON DIAMETER	M	N	P	Q	R	S min.	T	U	V	X	SW1	SW2	SW3
WB; WH	32	47.0	32.5 ± 0.5	5.0	5.0	G 1/8	16.0	5.0	14.0	42.5	15.0	10	17	6
WB; WH	40	52.0	38.0 ± 0.5	6.0	6.0	G 1/4	16.0	5.0	15.0	50.5	19.0	13	19	6
WB; WH	50	65.0	46.5 ± 0.6	6.0	8.0	G 1/4	16.0	6.0	15.0	60.0	22.0	16	24	8
WB; WH	63	75.0	56.5 ± 0.7	9.5	8.0	G 3/8	16.0	6.0	20.0	70.0	30.0	16	24	8
WB; WH	80	95.0	72.0 ± 0.7	9.5	10.0	G 3/8	16.0	7.5	20.0	88.0	30.0	21	30	10
WB; WH	100	115.0	89.0 ± 0.7	12.0	10.0	G 1/2	16.0	7.5	25.0	106.0	27.0	21	30	10

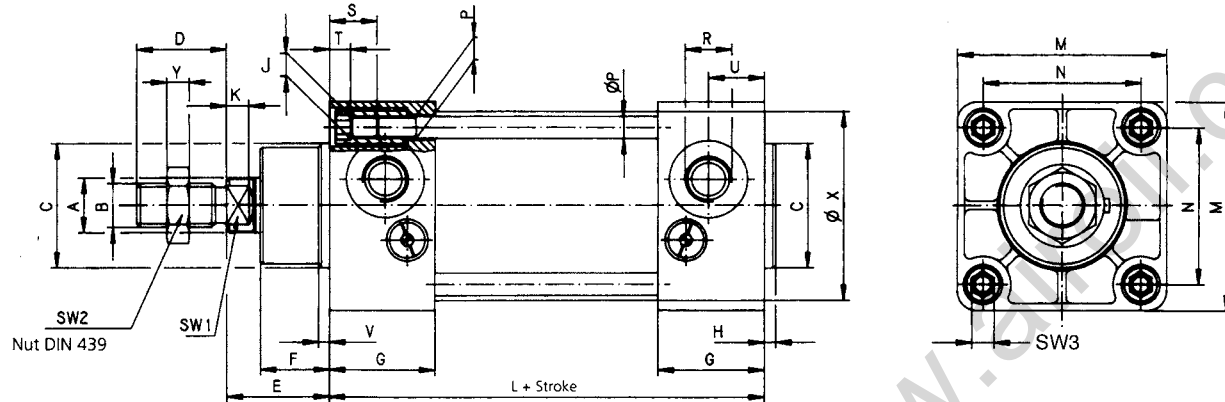


ISO/VDMA Series Metric Standard Interchangeable

NUMATICS®

Tie-Rod Version

Double Acting Cylinder, Single Rod End, Types ZA or ZG



Q= Internal Cushioning Length

Repair Kits

CYLINDER TYPE	ORDER CODE
ZAQ32/...	VA032/RK
ZA250/...	VA250/RK
ZGQ32/...	VG032/RK
ZG250/...	VG250/RK

Dimensions (mm)

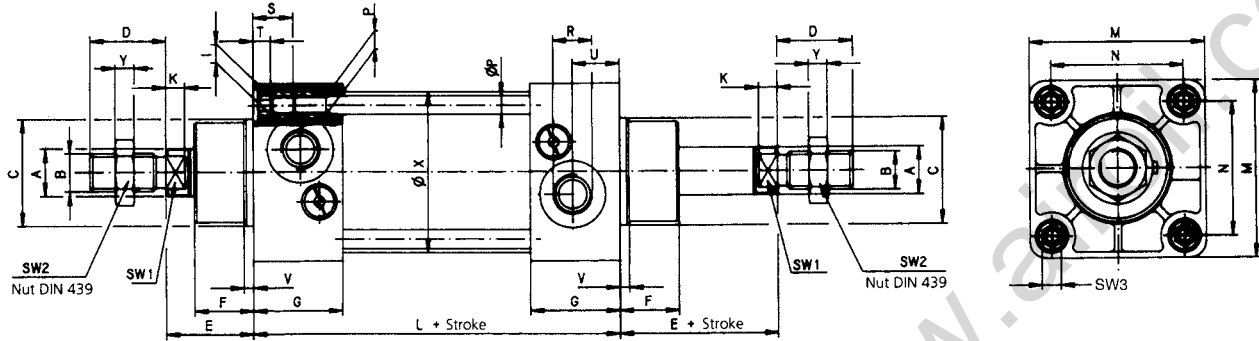
TYPE	PISTON DIAMETER	A Ø	B	C Ø	D ±0.3	E ±0.9	F ±0.1	G	H	J	K	L	M
ZA; ZG	32	12.0	M10 x 1.25	30.0	22.0	26.0	16.0	33.0	4.0	M6	6.0	94 ± 0.4	47.0
ZA; ZG	40	16.0	M12 x 1.25	35.0	24.0	30.0	20.0	33.5	4.0	M6	6.5	105 ± 0.7	52.0
ZA; ZG	50	20.0	M16 x 1.5	40.0	32.0	37.0	25.0	36.0	4.0	M8	8.0	106 ± 0.7	65.0
ZA; ZG	63	20.0	M16 x 1.5	45.0	32.0	37.0	25.0	38.0	4.0	M8	8.0	121 ± 0.8	75.0
ZA; ZG	80	25.0	M20 x 1.5	45.0	40.0	46.0	30.0	41.5	4.0	M10	10.0	128 ± 0.8	95.0
ZA; ZG	100	25.0	M20 x 1.5	55.0	40.0	51.0	35.0	41.5	4.0	M10	10.0	138 ± 1	115.0
ZA; ZG	125	32.0	M27 x 2	60.0	54.0	65.0	40.0	45.0	5.0	M12	13.0	160 ± 1	140.0
ZA; ZG	160	40.0	M36 x 2	65.0	72.0	80.0	50.0	47.5	8.0	M16	16.0	180 ± 1.1	180.0
ZA; ZG	200	40.0	M36 x 2	75.0	72.0	95.0	65.0	47.5	8.0	M16	16.0	180 ± 1.6	220.0

TYPE	PISTON DIAMETER	N	P	Q	R	S min.	T	U	V	W	X Ø	Y	SW1	SW2	SW3
ZA; ZG	32	32.5 ± 0.5	M6	15		16.0	5.0	14.0	4	6.0	36	5	10	17	6
ZA; ZG	40	38.0 ± 0.5	M6	19	G 1/4	16.0	5.0	15.0	4	6.0	45	6	13	19	6
ZA; ZG	50	46.5 ± 0.6	M8	22		16.0	6.0	15.0	4	8.0	55	8	16	24	8
ZA; ZG	63	56.5 ± 0.7	M8	30	G 3/8	16.0	6.0	20.0	4	8.0	68	8	16	24	8
ZA; ZG	80	72.0 ± 0.7	M10	30		16.0	7.5	20.0	4	10.0	86	10	21	30	10
ZA; ZG	100	89.0 ± 0.7	M10	27	G 1/2	16.0	7.5	25.0	4	10.0	107	10	21	30	10
ZA; ZG	125	110.0 ± 1	M12	27		20.0	10.0	30.0	5.5	12.0	132	13.5	27	41	12
ZA; ZG	160	140.0 ± 1	M16		G 3/4	24.0	-	27.5	25	16.0	170	18	36	55	-
ZA; ZG	200	175.0 ± 1	M16	39	G 3/4	24.0	-	27.5	25	16.0	210	18	36	55	-



Tie-Rod Version

Double Acting Cylinder, Double Rod End, ZB or ZH



Repair Kits

CYLINDER TYPE	ORDER CODE
ZB032/...	VB032/RK
ZB250/...	VB250/RK
ZH032/...	VH032/RK
ZH250/...	VH250/RK

Dimensions (mm)

TYPE	PISTON DIAMETER	A Ø	B	C Ø	D ±0.3	E ±0.9	F ±0.1	G	V	J	K	L	M
ZB; ZH	32	12.0	M10 x 1.25	30.0	22.0	26.0	16.0	33.0	4.0	M6	6.0	94 ± 0.4	47.0
ZB; ZH	40	16.0	M12 x 1.25	35.0	24.0	30.0	20.0	33.5	4.0	M6	6.5	105 ± 0.7	52.0
ZB; ZH	50	20.0	M16 x 1.5	40.0	32.0	37.0	25.0	36.0	4.0	M8	8.0	106 ± 0.7	65.0
ZB; ZH	63	20.0	M16 x 1.5	45.0	32.0	37.0	25.0	38.0	4.0	M8	8.0	121 ± 0.8	75.0
ZB; ZH	80	25.0	M20 x 1.5	45.0	40.0	46.0	30.0	41.5	4.0	M10	10.0	128 ± 0.8	95.0
ZB; ZH	100	25.0	M20 x 1.5	55.0	40.0	51.0	35.0	41.5	4.0	M10	10.0	138 ± 1	115.0
ZB; ZH	125	32.0	M27 x 2	60.0	54.0	65.0	40.0	45.0	5.5	M12	13.0	160 ± 1	140.0
ZB; ZH	160	40.0	M36 x 2	65.0	72.0	80.0	50.0	47.5	25.0	M16	16.0	180 ± 1.1	180.0
ZB; ZH	200	40.0	M36 x 2	75.0	72.0	95.0	65.0	47.5	25.0	M16	16.0	180 ± 1.6	220.0

TYPE	PISTON DIAMETER	N	P	Y	R	S min.	T	U	ØX	Q	SW1	SW2	SW3
ZB; ZH	32	32.5 ± 0.5	M6	5.0	G 1/8	16.0	5.0	14.0	36.0	15.0	10	17	6
ZB; ZH	40	38.0 ± 0.5	M6	6.0	G 1/4	16.0	5.0	15.0	45.0	19.0	13	19	6
ZB; ZH	50	46.5 ± 0.6	M8	8.0	G 1/4	16.0	6.0	15.0	55.0	22.0	16	24	8
ZB; ZH	63	56.5 ± 0.7	M8	8.0	G 3/8	16.0	6.0	20.0	68.0	30.0	16	24	8
ZB; ZH	80	72.0 ± 0.7	M10	10.0	G 3/8	16.0	7.5	20.0	86.0	30.0	21	30	10
ZB; ZH	100	89.0 ± 0.7	M10	10.0	G 1/2	16.0	7.5	25.0	107.0	27.0	21	30	10
ZB; ZH	125	110.0 ± 1	M12	13.5	G 1/2	20.0	10.0	30.0	132.0	27.0	27	41	12
ZB; ZH	160	140.0 ± 1	M16	18.0	G 3/4	24.0	-	27.5	170.0	34.0	36	55	-
ZB; ZH	200	175 ± 1	M16	18.0	G 3/4	24.0	-	27.5	210.0	34.0	36	55	-



ISO/VDMA Series Metric Standard Interchangeable

NUMATICS®

Mounting Parts

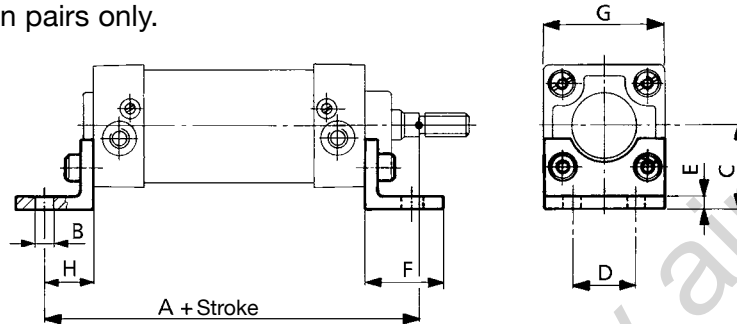
Foot Brackets to VDMA 24562 T.2 (MS1)

for Cylinder with Piston Diameter 32 mm -- 200 mm

Includes bolts

Foot brackets are supplied in pairs only.

Material: Steel



Dimensions (mm)

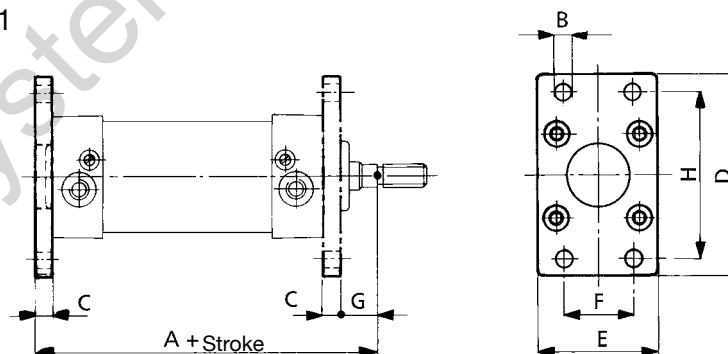
PISTON DIA.	A	B Ø H14	C Js15	D Js 14	E ±0.5	F	G -0.2	H ±0.2	EACH BRACKET WEIGHT APPROX. (kg)	ORDER CODE
32	144.0	7.0	32.0	32.0	4.0	35.0	45.0	24.0	0.066	VC01/032
40	163.0	9.0	36.0	36.0	4.0	36.0	52.0	28.0	0.078	VC01/040
50	175.0	9.0	45.0	45.0	5.0	47.0	65.0	32.0	0.168	VC01/050
63	190.0	9.0	50.0	50.0	5.0	45.0	75.0	32.0	0.190	VC01/063
80	215.0	12.0	63.0	63.0	6.0	55.0	95.0	41.0	0.382	VC01/080
100	230.0	14.0	71.0	75.0	6.0	57.0	115.0	41.0	0.452	VC01/100
125	270.0	16.0	90.0	90.0	8.0	70.0	140.0	45.0	1.090	VC01/125
160	320.0	18.0	115.0	115.0	10.0	80.0	180.0	60.0	1.188	VC01/160
200	345.0	22.0	135.0	135.0	12.0	90.0	220.0	70.0	3.450	VC01/200

Front and Rear Flange to VDMA 24562 T.2 (MF1, MF2)

for Cylinder with Piston Diameter 32 mm - 250 mm

Includes bolts

Material: Steel to ISO 6431



Dimensions (mm)

PISTON DIA.	A	B H13	C ±0.2	D	E	F Js14	G	H Js14	WEIGHT APPROX. (kg)	ORDER CODE
32	130.0	7.0	10.0	80.0	45.0	32.0	16.0	64.0	0.192	VC02/032
40	145.0	9.0	10.0	90.0	52.0	36.0	20.0	72.0	0.250	VC02/040
50	155.0	9.0	12.0	110.0	65.0	45.0	25.0	90.0	0.480	VC02/050
63	170.0	9.0	12.0	120.0	75.0	50.0	25.0	100.0	0.620	VC02/063
80	190.0	12.0	16.0	150.0	95.0	63.0	30.0	126.0	1.415	VC02/080
100	205.0	14.0	16.0	170.0	115.0	75.0	35.0	150.0	1.985	VC02/100
125	245.0	16.0	20.0	205.0	140.0	90.0	45.0	180.0	3.750	VC02/125
160	280.0	18.0	20.0	260.0	180.0	115.0	60.0	230.0	6.350	VC02/160
200	300.0	22.0	25.0	300.0	220.0	135.0	70.0	270.0	11.300	VC02/200



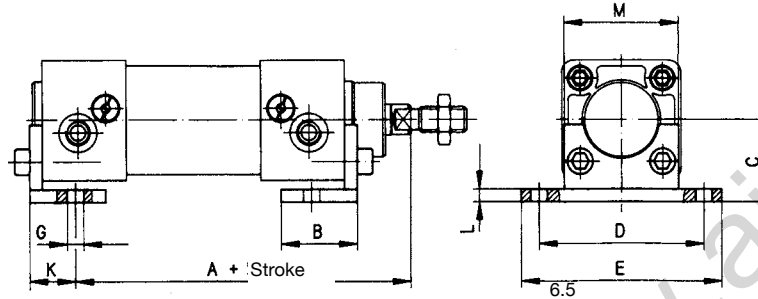
Mounting Parts

Foot Brackets (plain) for Cylinders with Piston Diameter 32 mm to 100 mm

Includes bolts

Foot brackets are supplied in pairs only.

Material: Steel



Dimensions (mm)

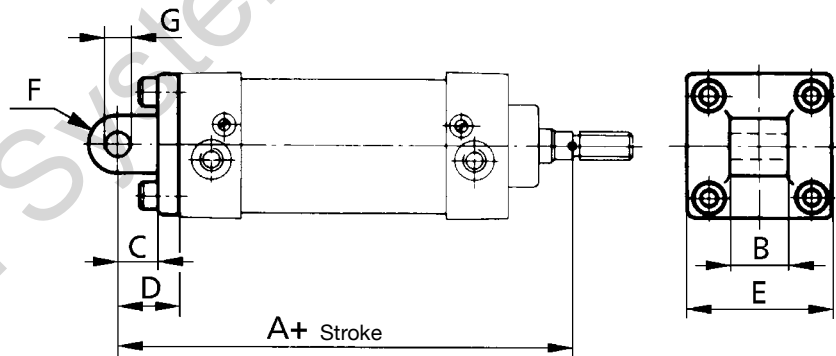
PISTON DIA.	A	B H14	C Js15	D Js14	E -0.2	F +1	G ±0.2	K ±0.3	EACH BRACKET WEIGHT APPROX. (kg)	ORDER CODE
32	107.0	30	32.0	65.0	79.0	30.0		18	0.122	VC03/032
40	122.0	30	36.0	75.0	90.0	30.0	6.5	18	0.146	VC03/040
50	127.0	35	45.0	90.0	110.0	35.0	8.5	21	0.218	VC03/050
63	142.0	35	50.0	100.0	120.0	35.0	8.5	21	0.238	VC03/063
80	153.0	45	63.0	128.0	153.0	45.0	10.5	27	0.488	VC03/080
100	168.0	45	71.0	148.0	178.0	45.0	10.5	27	0.580	VC03/100

Oscillating Brackets to VDMA 24562 T.2 (MP4) with Lugs

for Cylinder with Piston Diameter 32 mm to 200 mm

Includes bolts

Material: Aluminum



Dimensions (mm)

PISTON DIA.	A	B -0.2 -0.6	C	D ±0.1	E	F	G H9	WEIGHT APPROX. (kg)	ORDER CODE
32	142.0	26.0	13.0	22.0	45.0	10.0	10.0	0.140	VC07/032
40	160.0	28.0	16.0	25.0	52.0	12.0	12.0	0.230	VC07/040
50	170.0	32.0	16.0	27.0	65.0	12.0	12.0	0.336	VC07/050
63	190.0	40.0	21.0	32.0	75.0	16.0		0.546	VC07/063
80	210.0	50.0	22.0	36.0	95.0	16.0	16.0	1.190	VC07/080
100	230.0	60.0	27.0	41.0	115.0	20.0	20.0	1.840	VC07/100
125	275.0	70.0	30.0	50.0	140.0	25.0	25.0	3.550	VC07/125
160	315.0	90.0	35.0	55.0	180.0	25.0	30.0	7.020	VC07/160
200	335.0	90.0	35.0	60.0	220.0	25.0	30.0	9.350	VC07/200



ISO/VDMA Series
Metric Standard Interchangeable

NUMATICS®

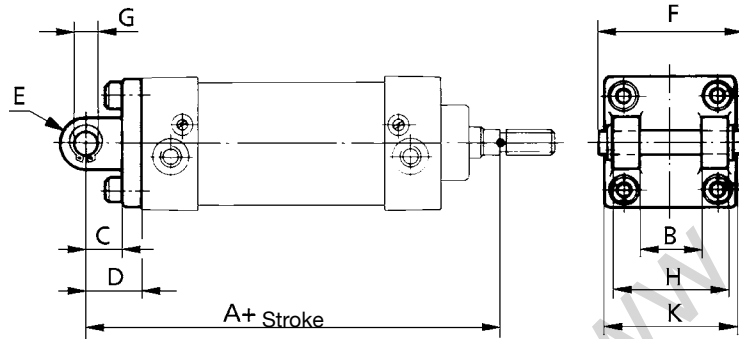
Mounting Parts

Oscillating Brackets to VDMA 24562 T.2 (MP2) Clevis

for Cylinders with Piston Diameter 32 mm to 200 mm

Includes pin and bolts

Material: Aluminum; pin made from steel



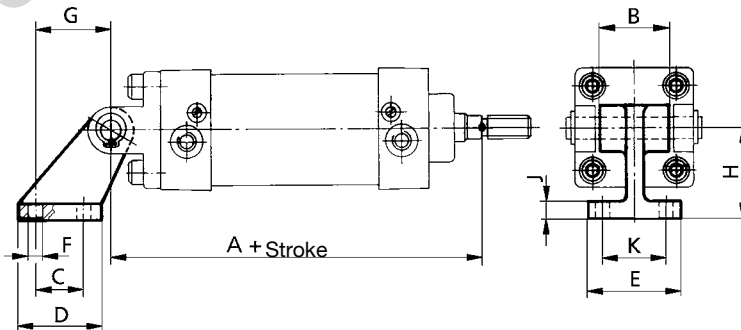
Dimensions (mm)

PISTON DIA.	A	B H14	C	D ±0.2	E	F	G H9	H h14	K	WEIGHT APPROX. (kg)	ORDER CODE
32	142.0	26.0	13.0	22.0	10.0	53.0	10.0	45.0	45.0	0.140	VC08/032
40	160.0	28.0	16.0	25.0	12.0	60.0	12.0	52.0	52.0	0.230	VC08/040
50	170.0	32.0	16.0	27.0	12.0	68.0	12.0	60.0	65.0	0.336	VC08/050
63	190.0	40.0	21.0	32.0	16.0	78.0	16.0	70.0	75.0	0.546	VC08/063
80	210.0	50.0	22.0	36.0	18.0	98.0	16.0	90.0	95.0	1.190	VC08/080
100	230.0	60.0	27.0	41.0	20.0	118.0	20.0	110.0	115.0	1.840	VC08/100
125	275.0	70.0	30.0	50.0	25.0	139.0	25.0	130.0	140.0	3.550	VC08/125
160	315.0	90.0	35.0	55.0	25.0	178.0	30.0	170.0	180.0	5.750	VC08/160
200	335.0	90.0	35.0	60.0	25.0	178.0	30.0	170.0	220.0	8.900	VC08/200

Right-Angle Articulated Joint to VDMA 24562 T.2 (Cetop RP 107 P)

for Cylinders with Piston Diameter 32 mm to 100 mm

Material: Steel



Dimensions (mm)

PISTON DIA.	A	B -0.2 -0.6	C Js14	D	E	F Ø	G Js14	H Js15	J	K Js15	WEIGHT APPROX. (kg)	ORDER CODE
32	142.0	26.0	18.0	31.0	51.0	6.5	21.0	32.0	8.0	38.0	0.158	VC11/032
40	160.0	28.0	22.0	35.0	54.0	6.5	24.0	36.0	10.0	41.0	0.238	VC11/040
50	170.0	32.0	30.0	45.0	65.0	6.5	33.0	45.0	12.0	50.0	0.418	VC11/050
63	190.0	40.0	35.0	50.0	67.0	6.5	37.0	50.0	12.0	52.0	0.526	VC11/063
80	210.0	50.0	40.0	60.0	86.0	8.5	47.0	63.0	14.0	66.0	1.055	VC11/080
100	230.0	60.0	50.0	70.0	96.0	8.5	55.0	71.0	15.0	76.0	1.360	VC11/100

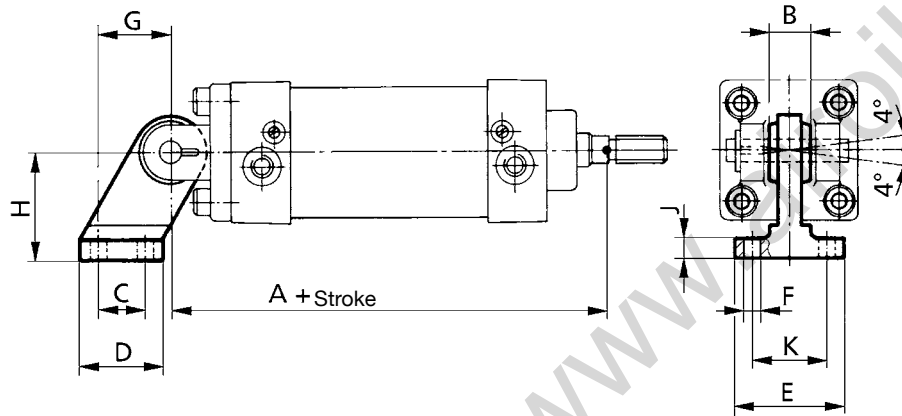


Mounting Parts

Right-Angle Articulated Joint with Spherical Bushing to VDMA 24562 T.2

for Cylinders with Piston Diameter 32 mm to 100 mm

Material: Steel



Dimensions (mm)

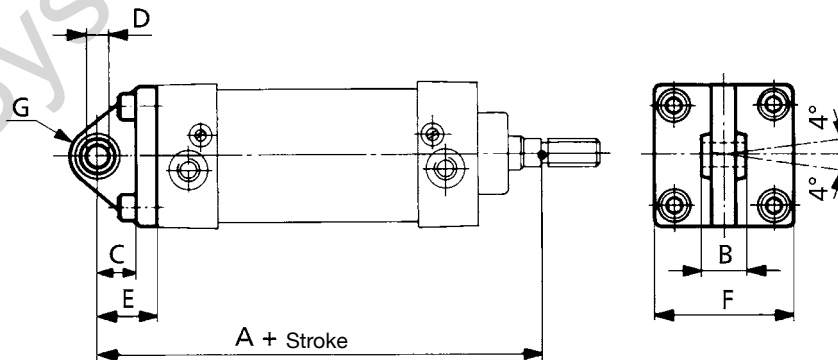
PISTON DIA.	A	B -0.1	C Js14	D	E	F Ø	G Js14	H Js15	J	K Js14	WEIGHT APPROX. (kg)	ORDER CODE
32	142.0	14.0	18.0	31.0	51.0	6.5	21.0	32.0	8.0	38.0	0.178	VC12/032
40	160.0	16.0	22.0	35.0	54.0	6.5	24.0	36.0	10.0	41.0	0.268	VC12/040
50	170.0	21.0	30.0	45.0	65.0	8.5	33.0	45.0	12.0	50.0	0.458	VC12/050
63	190.0	21.0	35.0	50.0	67.0	8.5	37.0	50.0	12.0	52.0	0.550	VC12/063
80	210.0	25.0	40.0	60.0	86.0	10.5	47.0	63.0	14.0	66.0	0.970	VC12/080
100	230.0	25.0	50.0	70.0	96.0	10.5	55.0	71.0	15.0	76.0	1.326	VC12/100

Oscillating Joint Bracket (Spherical) for Cylinders

with Piston Diameter 32 mm to 100 mm

Includes bolts

Material: Steel



Dimensions (mm)

PISTON DIA.	A	B -0.1	C	D H7	E Js15	F	G max.	WEIGHT APPROX. (kg)	ORDER CODE
32	142.0	14.0	12.0	10.0	22.0	45.0	15.0	0.158	VC13/032
40	160.0	16.0	15.0	12.0	25.0	55.0	18.0	0.254	VC13/040
50	170.0	21.0	17.0	16.0	27.0	65.0	20.0	0.360	VC13/050
63	190.0	21.0	20.0	16.0	32.0	75.0	23.0	0.588	VC13/063
80	210.0	25.0	20.0	20.0	36.0	95.0	27.0	1.118	VC13/080
100	230.0	25.0	25.0	20.0	41.0	115.0	30.0	1.810	VC13/100



ISO/VDMA Series
Metric Standard Interchangeable

NUMATICS®

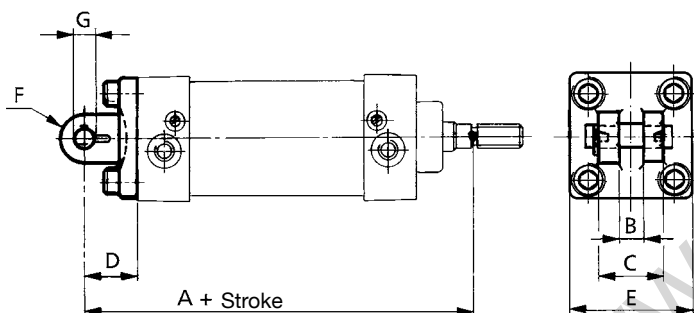
Mounting Parts

Oscillating Brackets to VDMA 24562 T.2, Fork Type Narrow Clevis

for Cylinders with Piston Diameter 32 mm to 100 mm

Includes pin and bolts

Material: Steel

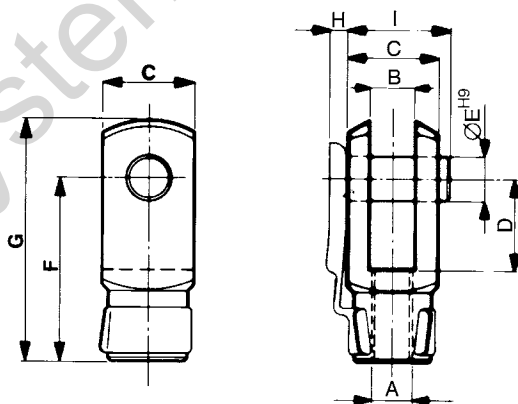


Dimensions (mm)

PISTON DIA.	A	B H14	C	D ±0.2	E	F	G H7	WEIGHT APPROX. (kg)	ORDER CODE
32	142.0	14.0	34.0	22.0	45.0	11.0	10.0	0.140	VC14/032
40	160.0	16.0	40.0	25.0	55.0	13.0	12.0	0.230	VC14/040
50	170.0	21.0	45.0	27.0	65.0	18.0	16.0	0.336	VC14/050
63	190.0	21.0	51.0	32.0	75.0	18.0	18.0	0.546	VC14/063
80	210.0	25.0	65.0	38.0	95.0	22.0	20.0	1.190	VC14/080
100	230.0	25.0	75.0	41.0	115.0	22.0	20.0	1.840	VC14/100

Rod Clevis for Cylinders with Piston Diameter 32 mm to 250 mm

Material: galvanized steel



Dimensions (mm)

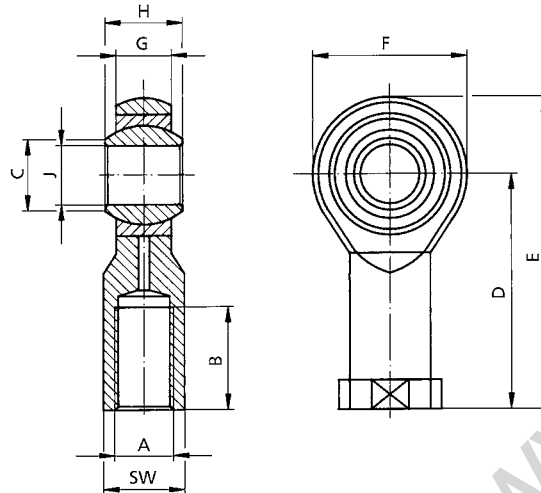
PISTON DIA.	A	B	C	D	E Ø	F	G	H	J	WEIGHT APPROX. (kg)	ORDER CODE
32	M10 x 1.25	10.0	20.0	20.0	10.0 H9	40.0	52.0	3.0	23.0	0.084	SC4/025
40	M12 x 1.25	12.0	24.0	24.0	12.0 H9	48.0	62.0	4.0	28.0	0.154	SC4/040
50/63	M16 x 1.5	16.0	32.0	32.0	16.0 H9	64.0	83.0	4.0	36.0	0.352	SC4/050
80/100	M20 x 1.5	20.0	40.0	40.0	20.0 H9	80.0	105.0	4.0	44.0	0.520	SC4/080
125	M27 x 2	30.0	55.0	54.0	30.0 H9	110.0	148.0	-	65.0	1.990	SC4/125
160/200	M36 x 2	35.0	70.0	72.0	35.0 H9	144.0	188.0	-	84.0	4.350	SC4/160
250	M42 x 2	40.2	85.0	84.0	40.0 H11	168.0	232.0	-	92.5	6.376	SC4/250



Mounting Parts

Oscillating Clevis for Cylinders with Piston Diameter 32 mm to 200 mm

Material: galvanized steel

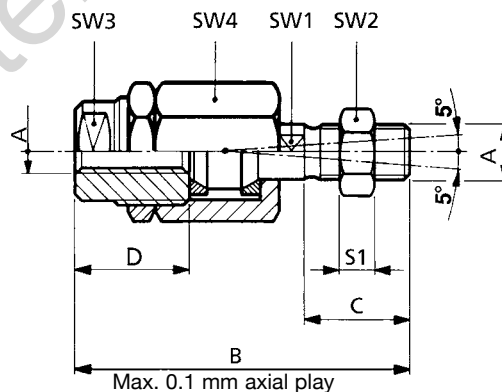


Dimensions (mm)

PISTON DIA.	A	B	C Ø	D	E	F	G	H	J Ø H7	SW	WEIGHT APPROX. (kg)	ORDER CODE
32	M10 x 1.25	20.0	13.0	43.0	57.0	28.0	10.5	14.0	10.0	17	0.076	SC5/025
40	M12 x 1.25	22.0	15.5	50.0	66.0	32.0	12.0	16.0	12.0	19	0.115	SC5/040
50/63	M16 x 1.5	28.0	19.5	64.0	85.0	42.0	15.0	21.0	16.0	22	0.230	SC5/050
80/100	M20 x 1.5	33.0	24.5	77.0	102.0	50.0	18.0	25.0	20.0	30	0.415	SC5/080
125	M27 x 2	51.0	34.5	110.0	145.0	70.0	25.0	37.0	30.0	41	1.130	SC5/125
160/200	M36 x 2	56.0	37.7	125.0	165.0	80.0	28.0	43.0	35.0	50	1.600	SC5/160

Alignment Coupler for Cylinders with Piston Diameter 32 mm to 100 mm

Material: galvanized steel



Dimensions (mm)

PISTON DIA.	A	B	C	D	S1	SW1	SW2	SW3	SW4	WEIGHT APPROX. (kg)	ORDER CODE
32	M10 x 1.25	72.0	20.0	26.0	6.0	12	17	19	30	0.210	SC16/032
40	M12 x 1.25	76.5	24.0	26.0	7.0	12	19	19	30	0.215	SC16/040
50/63	M16 x 1.5	108.0	32.0	34.0	8.0	19	24	30	42	0.650	SC16/050
80/100	M20 x 1.5	124.0	40.0	42.0	9.0	19	30	30	42	0.720	SC16/080



ISO/VDMA Series
Metric Standard Interchangeable

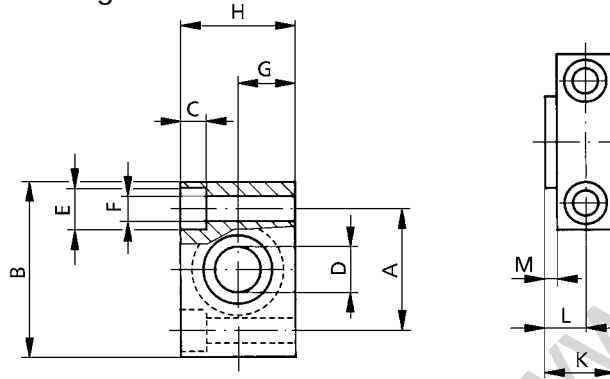
NUMATICS®

Mounting Parts

Mounting Block for Pivot to VDMA 24562 T.2 Only for Cylinders of Tie-Rod Version
Piston Diameter 32 mm to 200 mm

Mounting blocks are supplied in pairs only

Material: Aluminum; bearing bushing made from sintered bronze



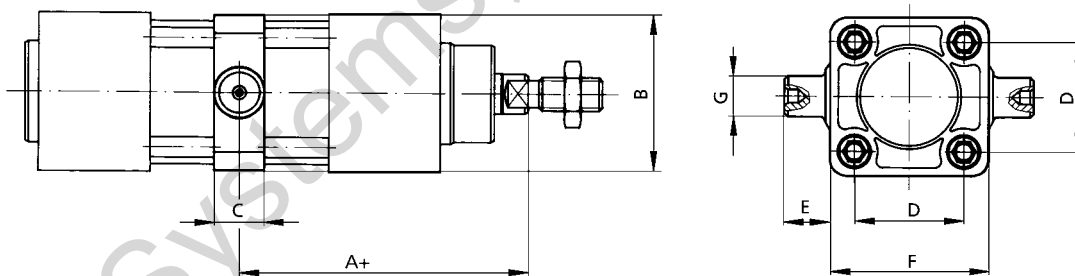
Dimensions (mm)

PISTON DIA.	A ±0.1	B	C	D Ø H7	E Ø H13	F Ø H13	G ±0.1	H	K	L	M	WEIGHT APPROX. (kg)	ORDER CODE
32	32.0	46.0	6.8	12.0	11.0	6.6	15.0	30.0	15.0	7.5	3.0	0.100	VC15/032
40/50	36.0	55.0	9.0	16.0	15.0	9.0	18.0	36.0	18.0	9.0	3.0	0.150	VC15/040
63/80	42.0	65.0	11.0	20.0	18.0	11.0	20.0	40.0	20.0	10.0	3.0	0.234	VC15/063
100/125	50.0	75.0	13.0	25.0	20.0	14.0	25.0	50.0	25.0	12.5	3.5	0.435	VC15/100
160/200	60.0	92.0	17.5	32.0	26.0	18.0	30.0	60.0	36.0	18.5	4.0	0.850	VC15/160

Pivot to VDMA 24562 T.2 (MT4) Only for Cylinders of Tie-Rod Version

Piston Diameter 32 mm to 200 mm

Material: galvanized steel



Attention: Pivots are mounted on the center of the cylinder tube, dimension A + 1/2 stroke.

When another position is requested please indicate dimension of key surface of piston rod to center of pivot.

Dimensions (mm)

PISTON DIA.	A	B	C max.	D ±0.2	E h14	F h14	G Ø e9	WEIGHT APPROX. (kg)	ORDER CODE
32	73.0	46.0	15.0	32.5	12.0	50.0	12.0	0.128	ZC09/032
40	82.5	59.0	20.0	38.0	16.0	63.0	16.0	0.308	ZC09/040
50	90.0	69.0	20.0	46.5	16.0	75.0	16.0	0.370	ZC09/050
63	97.5	84.0	25.0	56.5	20.0	90.0	20.0	0.690	ZC09/063
80	110.0	102.0	25.0	72.0	20.0	110.0	20.0	0.894	ZC09/080
100	120.0	125.0	30.0	89.0	25.0	132.0	25.0	1.584	ZC09/100
125	145.0	155.0	32.0	110.0	25.0	160.0	25.0	2.600	ZC09/125
160	170.0	190.0	40.0	140.0	32.0	200.0	32.0	4.300	ZC09/160
200	185.0	240.0	40.0	175.0	32.0	250.0	32.0	7.450	ZC09/200

NOTE: Pivots are fastened strongly to the tie rod ex works. (Please refer to option C09 on page 4). Order codes in the left table are to be used when spare parts are to be ordered.



ISO/VDMA series Switches

ISO/VDMA series LP Switch

Cylinders			Switches					
Cylinders	Bore		SRR-C02	SRR-W20	SPR-C02	SPR-W20	SNR-C02	SNR-W20
ISO/VDMA Profile Tube	All	Bracket	Direct Fit	Direct Fit	Direct Fit	Direct Fit	Direct Fit	Direct Fit

ISO/VDMA series Global Switch

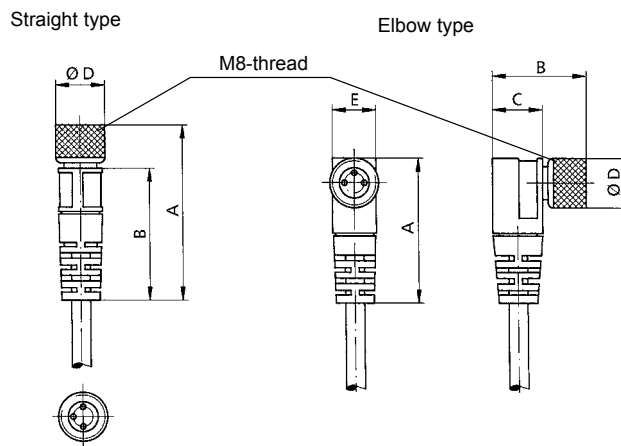
Cylinders			Switches					
Cylinders	Bore		RSS02	RSQ02	HPNPS31	HPNPQ31	HNPNS32	HNPNQ32
ISO/VDMA series Tie Rod	32-63mm	Bracket	N199-1017	N199-1017	N199-1017	N199-1017	N199-1017	N199-1017
ISO/VDMA series Tie Rod	80-100mm	Bracket	N199-1018	N199-1018	N199-1018	N199-1018	N199-1018	N199-1018
ISO/VDMA series Tie Rod	125-200mm	Bracket	N199-1019	N199-1019	N199-1019	N199-1019	N199-1019	N199-1019

ISO/VDMA series World Switch

Cylinders			Switches					
Cylinders	Bore		SR6-002	SR6-022	SH6-021	SH6-031	SH6-022	SH6-032
ISO/VDMA series Tie Rod	32-40mm	Bracket	SB6-K01	SB6-K01	SB6-K01	SB6-K01	SB6-K01	SB6-K01
ISO/VDMA series Tie Rod	50-63mm	Bracket	SB6-L01	SB6-L01	SB6-L01	SB6-L01	SB6-L01	SB6-L01
ISO/VDMA series Tie Rod	80-100mm	Bracket	SB6-P01	SB6-P01	SB6-P01	SB6-P01	SB6-P01	SB6-P01
ISO/VDMA series Tie Rod	125mm	Bracket	SB6-T01	SB6-T01	SB6-T01	SB6-T01	SB6-T01	SB6-T01
ISO/VDMA series Tie Rod	160-200mm	Bracket	SB6-W01	SB6-W01	SB6-W01	SB6-W01	SB6-W01	SB6-W01

NOTE: See page 21 for dimensional and technical data

Cords M8-thread for Switches and Sensors with Connector



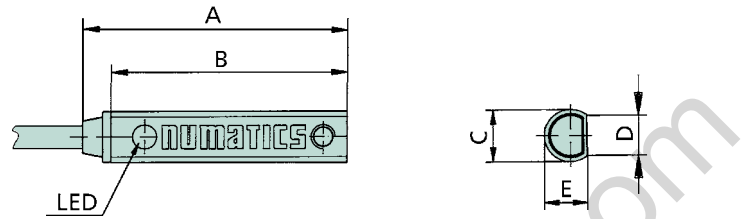
Dimensions (mm)

Type		A	B	C	D	E	Weight (approx. kg)	Order Code
Straight with 5-m-cable	(3x0.25 mm ²)	32.3	24.4	—	9.0	—	0.143	SC6-001
Elbow with 5-m-cable	(3x0.25 mm ²)	26.3	17.1	9.2	9.0	8.0	0.145	SC6-002



ISO/VDMA Series Metric Standard Interchangeable

LP Series for Cylinders of Profile Type K Series, ISO 6341/VDMA 24562, RL Lock



Electronic Sensor

(3 WIRE TYPE) (mm)		A	B	C	D	E	ORDER CODE
27 cm cable made from PVC with M8x1 mm plug	(PNP NO)						SPR-C02
2 m cable made from PVC, 3x0.14 mm ²	(PNP NO)	33.0	29.5	6.5	5.0	5.3	SPR-W20
27 cm cable made from PVC with M8x1 mm plug	(NPN NO)						SNR-C02
2 m cable made from PVC, 3x0.14 mm ²	(NPN NO)						SNR-W20

Reed Switch

(2 WIRE TYPE) (mm)		A	B	C	D	E	ORDER CODE
27 cm cable made from PVC with M8x1 mm plug	(SRR NO)	33.0	29.5	6.5	5.0	5.3	SRR-C02
2 m cable made from PVC, 3x0.14 mm ²	(SRR NO)						SRR-W20

Technical Data

ELECTRONIC SENSOR		REED SWITCH	
PNP NO	NPN NO	SRR NO	
Operating Voltage U_g	10-30 V DC	27 cm cable with M8 x 1 mm plug	10-50 V AC/60VDC
		2 m cable	10-120 V AC/DC
Residual Ripple	$\leq 10\% U_g$		
Voltage Decrease U_d (with I_a max.)	≤ 2 V		≤ 3 V
Current Absorption (not activated)	≤ 10 mA		
Switching Current I_a	< 150 mA		< 100 mA
Response Sensitivity	approx. 3 mT		approx. 3 mT
EMV to:	EN 60947-5-2		EN 60947-5-2
Wire Breakage Protection	Yes		—
Short Circuit Protection	Yes		—
Reverse Polarity Protection	Yes		Yes
Power-Up Pulse Suppression	Yes		—
Protection to DIN 40050	IP67		IP67
Shock and Vibration Resistance	30 g, 11 ms, 10 to 55 Hz, 1mm		30 g, 11 ms, 10 to 55 Hz, 1mm
Ambient Temperature T_a	-10°F to 165°F (-25°C to +75°C)		-10°F to 165°F (-25°C to +75°C)

- Attention:
- With CD-operation LED only illuminates when switch is correctly polarized.
 - Never operate sensor W/O load.
 - When switching higher capacitive and inductive loads, protection measures are to be taken

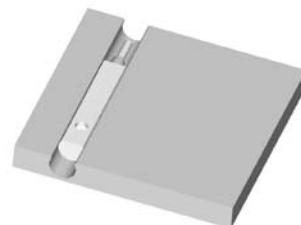
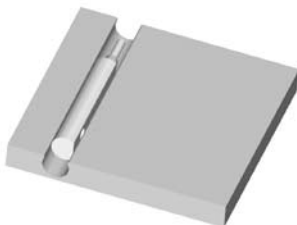
Sensors

Mounting of Switches with LP Profile

1. Put sensor in the cylinder groove at any point.

2. Rotate it by 90°.

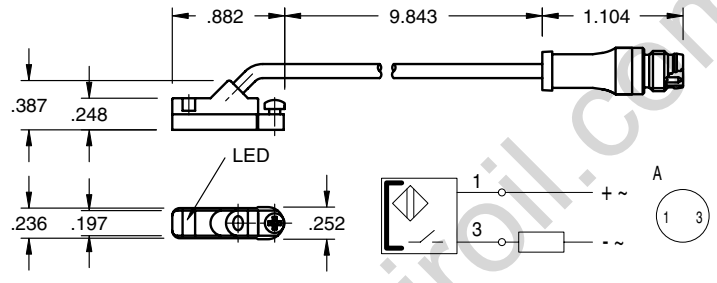
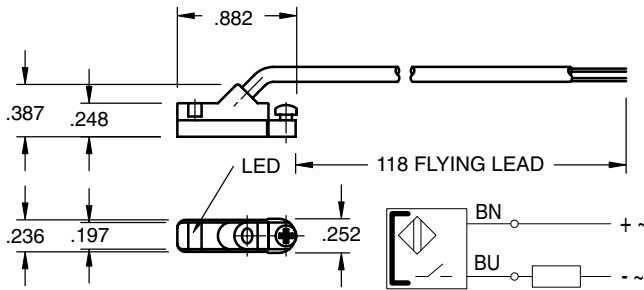
3. Tighten screw M3 (key 1.5 mm is included).





Global Switches

Reed Switch (AC/DC NO), flying lead - RSS02, 8mm connector - RSQ02



Sensing Data

Ambient temperature range T_a	(°F/°C)	-4 to 176 (-20 to 80)
Frequency of operating cycles f at U_e	(kHz)	0.5
Turn on time t	(ms)	≤ 0.25
turn off time t	(ms)	0.03
LED function indication		yes

Mechanical Data

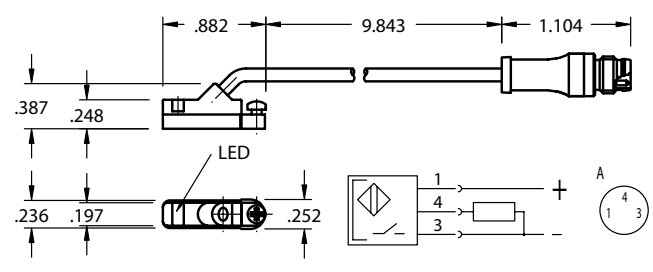
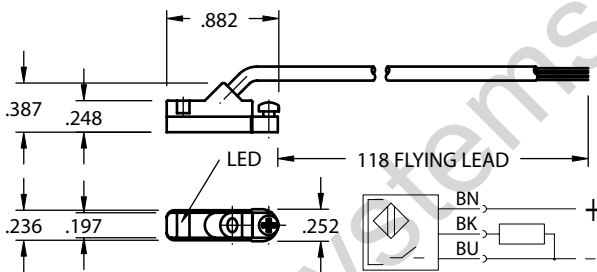
Housing material	Polyamide
Material of sensing face	Polyamide
Connection	PVC cable
Degree of Protection	IP 67
Rated shock: half-sinus, 50g, 11 ms	
Rated vibration environment: 10g, 10...2000 Hz, 90 min	

Electrical Data

Rated operational voltage U_e	(V)	3...130 AC/DC
Supply voltage U_B	(V)	3...130 AC/DC
Voltage drop U_d at I_e Stat./dyn.	(V)	3.5
Rated insulation volatage U_i	(V)	2750 DC (EN 60335-1)
Rated supply frequency	(Hz)	AC/DC
Rated operational current I_e	(mA)	50 (10W max.)
No-load supply current I_o at U_e d./und.	(mA)	0
Observe polarity for correct LED function		



Electronic Switch (PNP NO), flying lead - HPNPS31, 8mm connector - HPNPQ31



Sensing Data

Ambient temperature range T_d	(°F/°C)	-13 to +158 (-25 to +70)
Temperature drift	(% of)	$\leq 0.3\%/^{\circ}\text{C}$
Frequency of operating cycles f at U_e	(kHz)	10
Turn on time t	(ms)	.05
turn off time t	(ms)	.05
Utilization categories		DC13
Function-/supply voltage indication		YES

Mechanical Data

Housing material	Polyamide
Material of sensing face	Polyamide
Connection	PVC cable
Degree of Protection	IP 67
Rated shock: half-sinus, 30 g, 11 ms	
Rated vibration environment: 55 Hz, 1mm amplitude, 3 x 30	

Electrical Data

Rated operational voltage U_e	(V)	24 DC
Supply voltage U_B	(V)	10...30 DC
incl. ripple	(% of U_e)	15
Voltage drop U_d at I_e Stat./dyn.	(V)	1/-
Rated insulation volatage U_i	(V)	75 AC
Rated supply frequency	(Hz)	DC
Rated operational current I_e	(mA)	200
No-load supply current I_o at U_e d./und.	(mA)	25/13
Protected against polarity reversal		YES

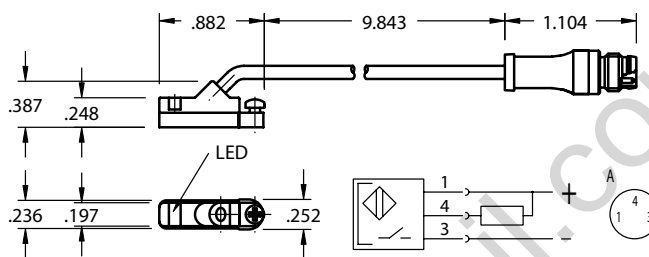
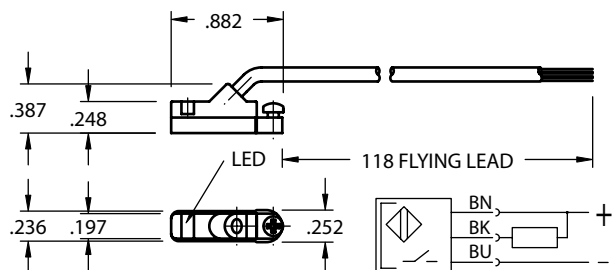




ISO/VDMA Series Metric Standard Interchangeable

NUMATICS®

Electronic Switch (NPN NO), flying lead - HNPNS32, 8mm connector - HNPNQ32



Sensing Data

Ambient temperature range Δ	(°F/°C)	-13 to +158 (-25 to +70)
Temperature drift	(% of S_p)	$\leq 0.3\%/^{\circ}\text{C}$
Frequency of operating cycles f at U_e	(kHz)	10
Turn on time t	(ms)	.05
Turn off time t	(ms)	.05
Utilization categories		DC13
Function-/supply voltage indication		YES

Mechanical Data

Housing material	Polyamide
Material of sensing face	Polyamide
Connection	PVC cable
Degree of Protection	IP 67
Rated shock: half-sinus, 30 g, 11 ms	
Rated vibration environment: 55 Hz, 1mm amplitude, 3 x 30	

Electrical Data

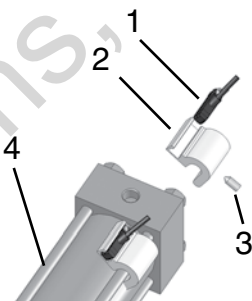
Rated operational voltage U_e	(V)	24 DC
Supply voltage U_B	(V)	10...30 DC
incl. ripple	(% of U_e)	15
Voltage drop U_d at I_e Stat./dyn.	(V)	1/-
Rated insulation voltage U_i	(V)	75 AC
Rated supply frequency	(Hz)	DC
Rated operational current I_e	(mA)	200
No-load supply current I_o at U_e d./und.	(mA)	25/13
Protected against polarity reversal		YES



Original ISO/VDMA series Global application Detail

Round Tube and Tie Rod Detail

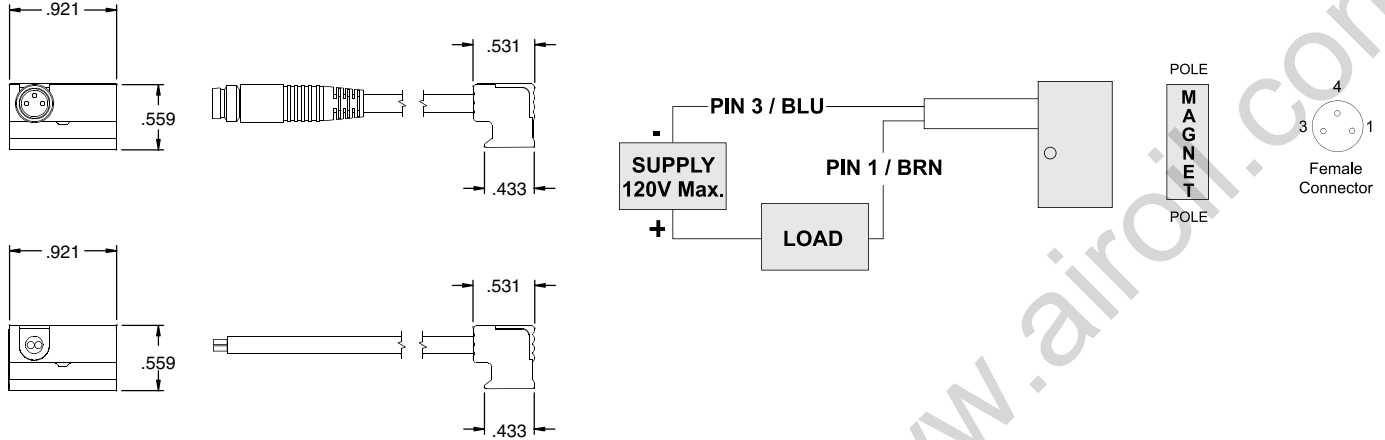
1. Global Switch
2. Tie Rod Bracket
3. Adjustment Screw
4. Cylinder Tie Rod





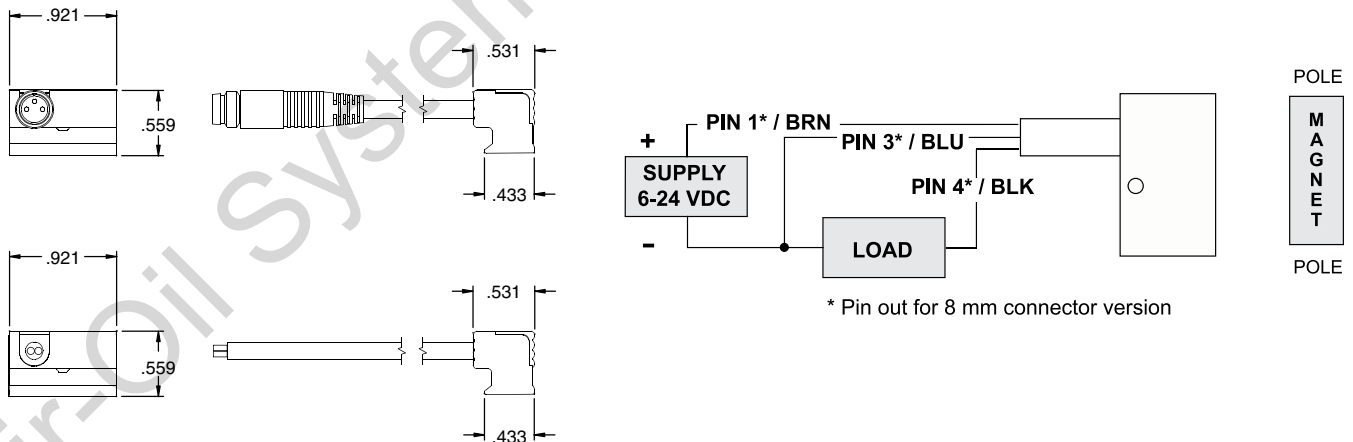
World Switches

Reed Switch - Normally Open Type SR6



P/N	Switch Style	Switch Type	Function	Switching Voltage	Switching Current	Switching Power	Voltage Drop
SR6-002	3m Wire Version	Reed Switch, LED	SPST Normally Open	5 -120V AC/DC	0.025 Amps Max. 0.001 Amps Min.	3 Watts Max.	3.5 Volts
SR6-004	3m Wire Version	Reed Switch, LED & MOV	SPST Normally Open	5 -120V AC/DC	0.5 Amps Max. 0.005 Amps Min.	10 Watts Max.	3.0 Volts
SR6-021	8mm Pigtail	Reed Switch	SPST Normally Open	0 -120V AC/DC	0.5 Amps Max.	10 Watts Max.	0 Volts
SR6-022	8mm Pigtail	Reed Switch, LED	SPST Normally Open	5 -120V AC/DC	0.025 Amps Max. 0.001 Amps Min.	3 Watts Max.	3.5 Volts
SR6-024	8mm Pigtail	Reed Switch, LED & MOV	SPST Normally Open	5 -120V AC/DC	0.5 Amps Max. 0.005 Amps Min.	10 Watts Max.	3.0 Volts

Hall Effect Switch - Sourcing Type SH6

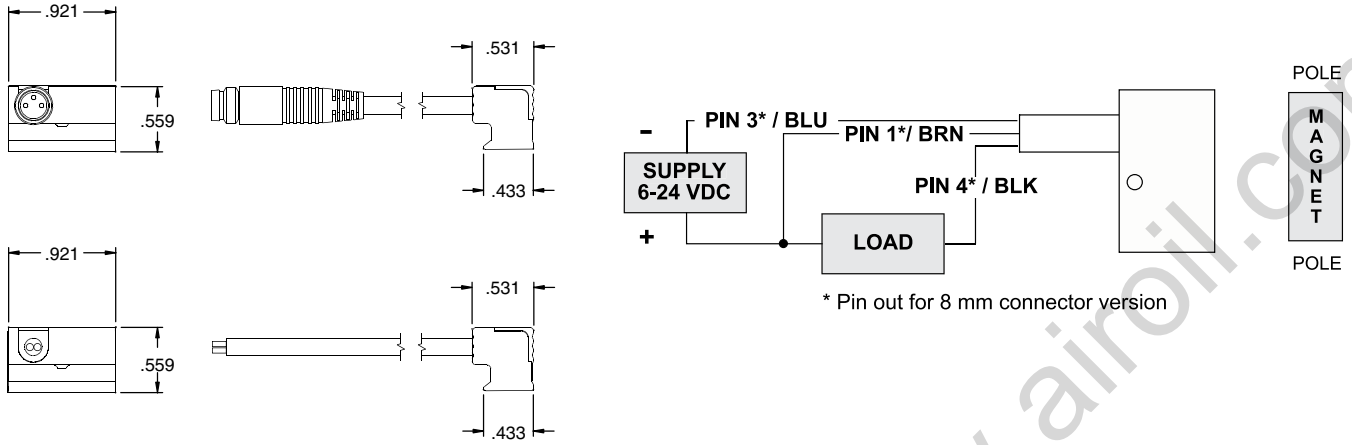


P/N	Switch Style	Switch Type	Function	Switching Voltage	Switching Current	Switching Power	Voltage Drop
SH6-031	3m Wire Version	Hall Effect for Reed Magnet & Light Sourcing	Normally Open Sourcing (PNP)	6 -24 VDC	0.3 Amps Max.	7.2 Watts Max.	0.5 Volts
SH6-021	8m Connector Pigtail	Hall Effect for Reed Magnet & Light Sourcing	Normally Open Sourcing (PNP)	6 -24 VDC	0.3 Amps Max.	7.2 Watts Max.	0.5 Volts



ISO/VDMA Series
Metric Standard Interchangeable

Hall Effect Switch - Sinking Type SH6

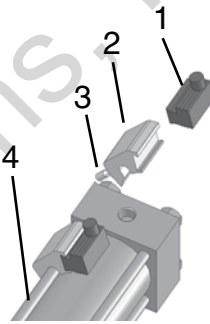


P/N	Switch Style	Switch Type	Function	Switching Voltage	Switching Current	Switching Power	Voltage Drop
SH6-032	3m Wire Version	Hall Effect for Reed Magnet & Light Sourcing	Normally Open Sourcing (NPN)	6 -24 VDC	0.3 Amps Max.	7.2 Watts Max.	0.5 Volts
SH6-022	8m Connector Pigtail	Hall Effect for Reed Magnet & Light Sourcing	Normally Open Sourcing (NPN)	6 -24 VDC	0.3 Amps Max.	7.2 Watts Max.	0.5 Volts

Original ISO/VDMA series World application Detail

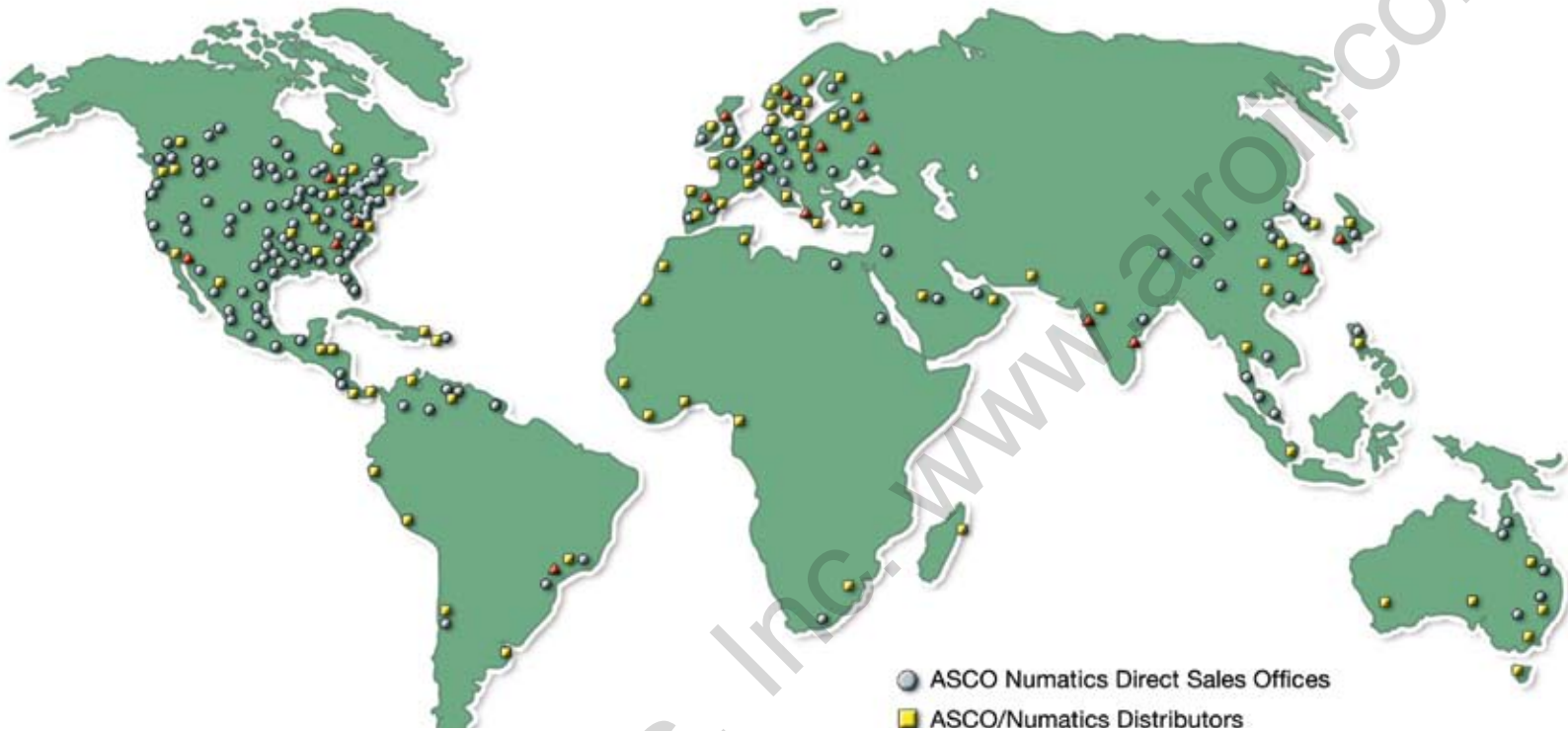
Round Tube and Tie Rod Detail

1. World Switch
2. Tie Rod Bracket
3. Adjustment Screw
4. Cylinder Tie Rod



NUMATICS

World Class Supplier
of Pneumatic Components



WORLD HEADQUARTERS

USA

Numatics, Incorporated

46280 Dylan Drive
Novi, Michigan 48377

P: 248-596-3200

F: 248-596-3201

Canada

Numatics, Ltd

P: 519-452-1777

F: 519-452-3995

Mexico

Numatics de Mexico S.A. de C.V.

P: 52-222-284-6176

F: 52-222-284-6179

For a comprehensive listing of all Numatics production and distribution facilities worldwide, visit:

www.numatics.com