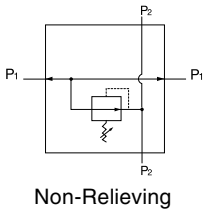
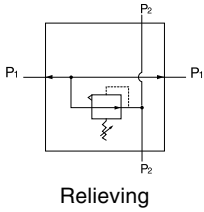


Common-P1 Regulator

R19

= "Most Popular"



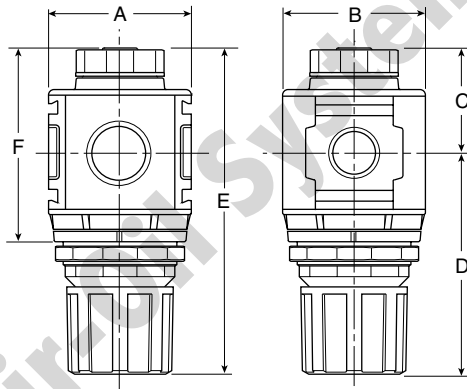
R19-03-F000

Features

- Balanced Valve Design
- Spring-loaded Diaphragm
- 4 Adjusting Pressure Ranges Available
- 1/2" NPT / BSPP-G Over-port
- 2 Regulated Ports

WARNING

**Product rupture can cause serious injury.
Do not connect regulator to bottled gas.
Do not exceed maximum primary pressure rating.**



NOTE: 2" Dia. (51 mm) hole required for panel nut mounting.

Dimensions

Models	Inches (mm)	A	B	C	D	E	F	G
Standard Common-P1 Unit R19-XX-F000		2.36 (60)	2.36 (60)	1.74 (44)	3.66 (93)	5.40 (136)	3.10 (78.7)	3.74 (94)

Specifications

Flow Capacity*	3/8	62.0 SCFM (29.2 dm ³ /s)
Adjusting Range Pressure		0 to 30 PSIG (0 to 2.1 bar)
		0 to 60 PSIG (0 to 4.1bar)
		0 to 125 PSIG (0 to 8.6 bar)
		0 to 250 PSIG (0 to 17.2 bar)

Maximum Supply Pressure		300 PSIG (20.7 bar)
Operating Temperature		32° to 150°F (0° to 65.5°C)

P1 Port Size (Inlet / Outlet)	NPT / BSPP-G	1/4, 3/8, 1/2
-------------------------------	--------------	---------------

P2 Regulated Ports (2 ea.)	NPT / BSPP-G	1/4 or 3/8
----------------------------	--------------	------------

Weight	lb. (kg)	1.16 (0.5)
--------	----------	------------

* Inlet pressure 100 PSIG (6.9 bar). Secondary pressure 90 PSIG (6.2 bar).

Materials of Construction

Adjustment Knob		Acetal
Body		Zinc
Body Cap		ABS
Bonnet		33% Glass-filled Nylon
Bottom Plug		33% Glass-filled Nylon
Diaphragm Assembly		Nitrile / Zinc
Panel Nut		Acetal
Seals		Nitrile
Springs	Main Regulating	Steel
	Valve	Stainless Steel
Valve Assembly		Brass / Nitrile

CAUTION:

REGULATOR PRESSURE ADJUSTMENT – The working range of knob adjustment is designed to permit outlet pressures within their full range. Pressure adjustment beyond this range is also possible because the knob is not a limiting device. This is a common characteristic of most industrial regulators, and limiting devices may be obtained only by special design.

For best performance, regulated pressure should always be set by increasing the pressure up to the desired setting.

 = "Most Popular"

Replacement Kits

- Diaphragm Assembly –
 - Non-relieving RRP-96-761
 - Relieving RRP-96-760
- Spring, Regulating–
 - 0 to 30 PSIG (0 to 2.1 bar) RRP-96-659
 - 0 to 60 PSIG (0 to 4.1 bar) RRP-96-660
 - 0 to 125 PSIG (0 to 8.6 bar) RRP-96-661
 - 0 to 250 PSIG (0 to 17.2 bar) RRP-96-662
- Valve Assembly RRP-96-658

Accessories

- Gauge, Pressure, 0 to 30 PSIG (0 to 2.1 bar),
1-1/2" Dial Face, 1/4 NPT, CBM K4515N14030
- Gauge, Pressure, 0 to 60 PSIG (0 to 4.1 bar),
1-1/2" Dial Face, 1/4 NPT, CBM K4515N14060
- Gauge, Pressure, 0 to 160 PSIG (0 to 11.0 bar),
1-1/2" Dial Face, 1/4 NPT, CBM K4515N14160
- Gauge, Pressure, 0 to 300 PSIG (0 to 20.7 bar),
1-1/2" Dial Face, 1/4 NPT, CBM K4515N14300
- Panel Mount Nut –
 - Aluminum RRP-96-673
 - Plastic RRP-96-675
- Tamper Resistant Kit RRP-96-671
- Wall Mounting Bracket –
 - L-Type GPA-96-606
 - T-Type GPA-96-603

NOTE: Gauge not included, order separately by accessory number.



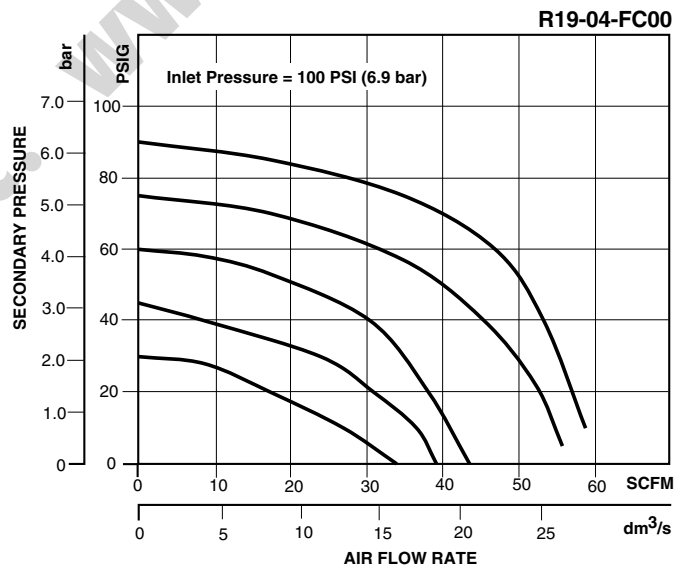
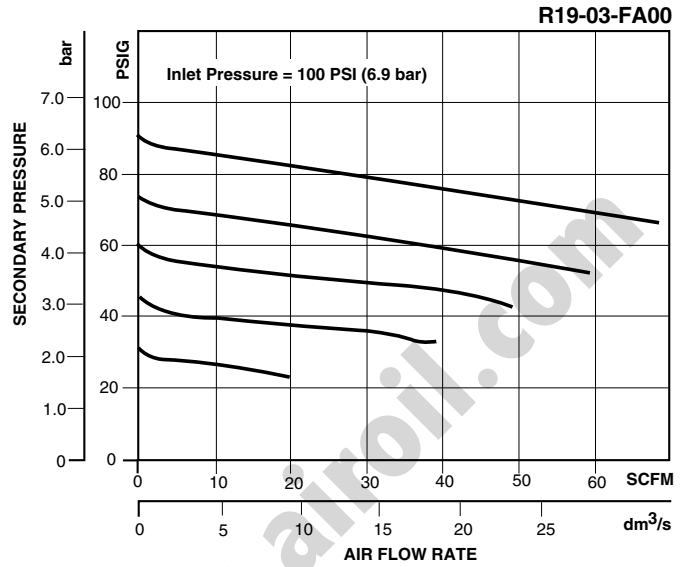
Typical Application

Ordering Information

All units shown with 1/4" regulated ports. For 3/8" ports, place letter C in position 7.

Model Type	P1 Port Size	5-125 PSIG (0.4 to 8.6 bar)	10-250 PSIG (0.7 to 7.2 bar)	3-60 PSIG (0.2 to 4.1 bar)
Relieving	1/4	R19-02-FA00	R19-02-GA00	R19-02-DA00
	3/8	R19-03-FA00	R19-03-GA00	R19-03-DA00
	1/2	R19-04-FA00	R19-04-GA00	R19-04-DA00
Non-relieving	1/4	R19-02-RA00	R19-02-SA00	R19-02-WA00
	3/8	R19-03-RA00	R19-03-SA00	R19-03-WA00
	1/2	R19-04-RA00	R19-04-SA00	R19-04-WA00

Options - To order an option supplied with the unit model, add the appropriate coded suffix letter in the designated position of the model number.



B