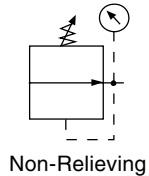
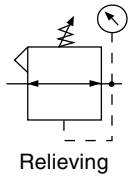


Regulator

R30



R30-06-000

Features

- Balanced Valve Design
- Standard Self-Relieving
- Two 1/4 NPT / BSPT-Rc Gauge Ports Standard – Can Be Used for Additional Outlet Ports
- Piston Operated
- High Flow Capacity

⚠ WARNING

**Product rupture can cause serious injury.
Do not connect regulator to bottled gas.
Do not exceed maximum primary pressure rating.**

Specifications

Flow Capacity*	3/4	481 SCFM (227 dm ³ /s)
	1	500 SCFM (236 dm ³ /s)
	1-1/4	800 SCFM (377 dm ³ /s)

Adjusting Range Pressure	0 to 125 PSIG (0 to 8.6 bar)
	0 to 180 PSIG (0 to 12.4 bar)

Gauge Port (2 ea.)	NPT / BSPT-Rc	1/4
--------------------	---------------	-----

Maximum Supply Pressure	300 PSIG (20.7 bar)
-------------------------	---------------------

Operating Temperature	32° to 150°F (0° to 65.5°C)
-----------------------	-----------------------------

Port Size	NPT / BSPP-G	3/4, 1, 1-1/4
-----------	--------------	---------------

Weight	lb. (kg)	6 (2.7)
--------	----------	---------

* Inlet pressure 100 PSIG (6.9 bar). Secondary pressure 80 PSIG (5.5 bar).

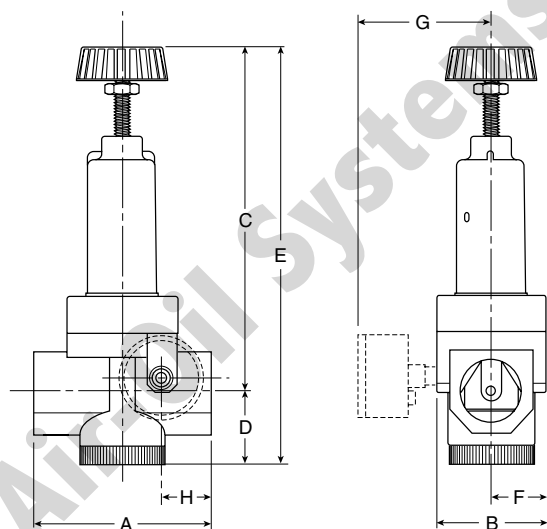
Materials of Construction

Body	Zinc
Bonnet	Zinc
Piston	Zinc
Seals	Nitrile
Springs	Steel
Valve Assembly	Brass / Nitrile / Steel

CAUTION:

REGULATOR PRESSURE ADJUSTMENT – The working range of knob adjustment is designed to permit outlet pressures within their full range. Pressure adjustment beyond this range is also possible because the knob is not a limiting device. This is a common characteristic of most industrial regulators, and limiting devices may be obtained only by special design.

For best performance, regulated pressure should always be set by increasing the pressure up to the desired setting.



Dimensions

Models	Inches (mm)	A	B	C	D	E	F	G	H
Standard Unit R30-XX-000		4.29 (109)	2.62 (66.5)	8.62 (218.9)	1.69 (43)	10.31 (262)	1.31 (33.3)	—	1.23 (31.2)
With Gauge R30-XX-G00		4.29 (109)	2.62 (66.5)	8.62 (218.9)	1.69 (43)	10.31 (262)	1.31 (33.3)	2.99 (76)	1.23 (31.2)

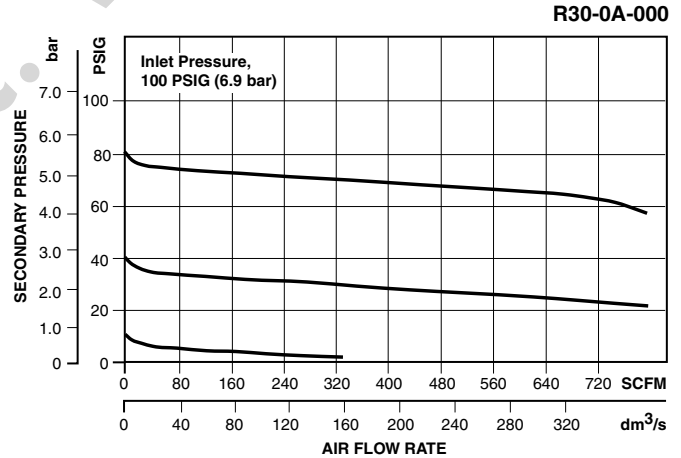
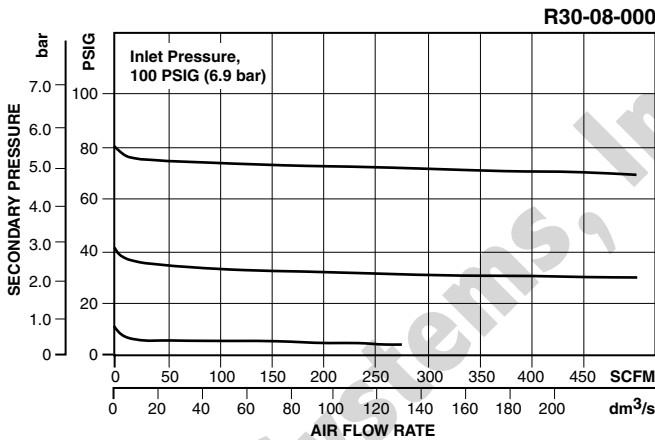
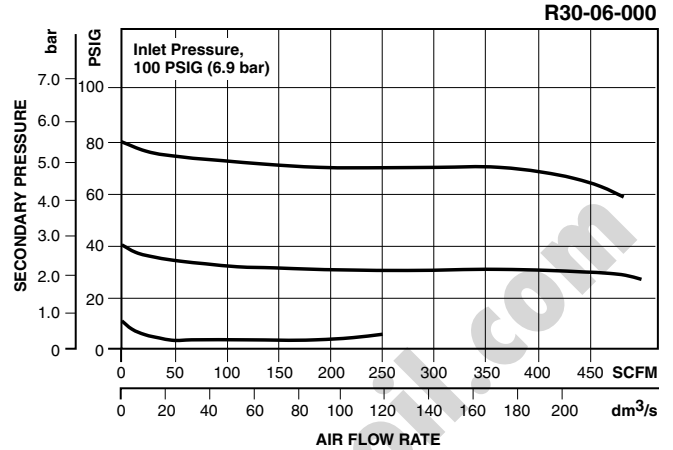
= "Most Popular"

Replacement Kits

- Piston Assembly –
 - Non-relieving RRP-95-451
 - Relieving RRP-95-964
- Spring, Regulating –
 - 0 to 125 PSIG (0 to 8.6 bar) RRP-95-226
 - 0 to 180 PSIG (0 to 12.4 bar)..... RRP-95-220
- Valve Assembly –
 - Valve, Valve Spring, Bottom Plug O-ring RRP-95-159

Accessories

- Gauge, Pressure –
 - 0 to 160 PSIG (0 to 11 bar), 2" Dial Face, 1/4" NPT, CBM K4520N14160
 - 0 to 300 PSIG (0 to 20 bar), 2" Dial Face, 1/4" NPT, CBMK4520N14300
- Wall Mounting Bracket –
 - Gauge Port Adapter, 1/4" NPT RRP-95-590
 - U-bolt Pipe Clamp GRP-95-734



Ordering Information

Model Type	Port Size	Standard Pressure 10 to 125 PSIG (0.7 to 8.6 bar)	High Pressure 10 to 180 PSIG (0.7 to 12.4 bar)
Relieving	3/4	R30-06-000	R30-06-H00
	1	R30-08-000	R30-08-H00
	1-1/4	R30-0A-000	R30-0A-H00
Non-relieving	3/4	R30-06-N00	R30-06-HN0
	1	R30-08-N00	R30-08-HN0
	1-1/4	R30-0A-N00	R30-0A-HN0

Options - To order an option supplied with the unit model, add the appropriate coded suffix letter in the designated position of the model number.

