



Models 11 and 21

GO Switch Models 11 and 21 are the world's original leverless limit switches.

Their simple design, rugged enclosures, long sensing ranges, and global approvals make these switches the ideal choice wherever reliable position sensing is needed.

Features:

- SPDT 10A contacts
- Side Sensing
- 40° to 221°F operating temperature

Options:

- Suitable for Zone 0, 1, or 2 explosion proof
- 40° to 350°F high temperature
- Quick disconnect connector
- Underwater capabilities

FAST TRACK DELIVERY

11-11110-00 **21-11110-00**
 CSA Class I Div 2
 Side Terminal Block

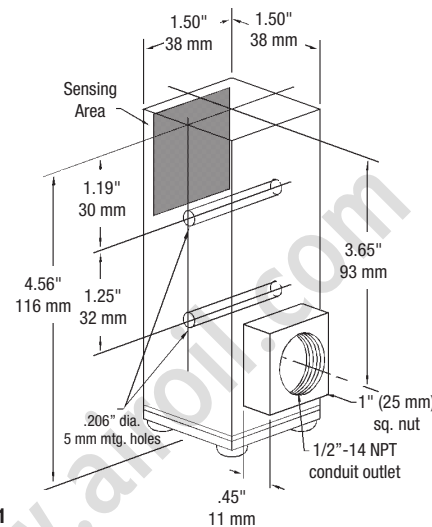
11-12110-00
 CSA Class I Div 2
 Extended Sensing

11-12510-00 **21-11510-00**
 CSA Class I Div 2
 Bottom Terminal Block

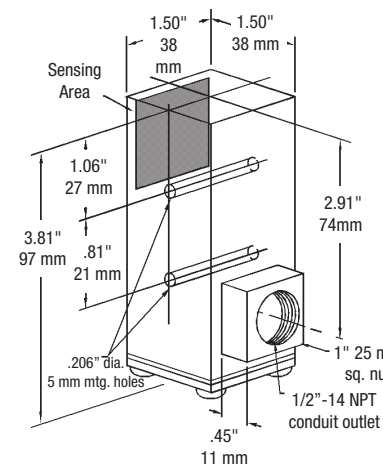
11-12518-A2 **21-11516-A2**
 UL/CSA General Purpose
 3 ft. leads

21-11524-A2
 CSA Class I Div 1; 3 ft. leads

Dimensions



Model 11



Model 21

Model	Contact Form	Sensing Range	Outlet Position	Enclosure Material	Approvals	Wiring Options																																
<p>Repeatability: .002" (.05 mm)</p> <p>Response Time: 8 milliseconds</p> <p>Differential: Approx. 5/16" (8 mm)</p> <p>Operating Temperature: -40° to 221°F (-40° to 105°C). HiTemp™ option to 350°F (176°C)</p> <p>✓ 11 Size: 1 1/2" (38 mm) square x 4 9/16" (116 mm) overall. Add 1/2" (13 mm) for bottom conduit outlet</p> <p>✓ 21 Size: 1 1/2" (38 mm) square x 3 13/16" (97 mm) overall. Add 1/2" (13 mm) for bottom conduit outlet</p>	<p>Contact Material: Silver cadmium oxide, gold flashed</p> <p>Forms: SPDT, DMDB</p> <p>Ratings: Resistive</p> <table border="1"> <thead> <tr> <th colspan="2">AC</th> <th colspan="2">DC</th> </tr> <tr> <th>Volts</th> <th>Amps</th> <th>Volts</th> <th>Amps</th> </tr> </thead> <tbody> <tr> <td>120</td> <td>10</td> <td>24</td> <td>3</td> </tr> <tr> <td>240</td> <td>5</td> <td>48</td> <td>1</td> </tr> <tr> <td>480</td> <td>2.5</td> <td>125</td> <td>0.5</td> </tr> <tr> <td></td> <td></td> <td>250</td> <td>0.5</td> </tr> </tbody> </table> <p>✓ 1 Single Pole Double Throw (Form C)</p> <p>✓ 3 Single Pole Double Throw (Form C) Latching (maintained contact) (Outlet position must be 2, 4 or 5)</p> <p>5 Double Make Double Break, two-circuit, Form Z*</p> <p>6 Double Make Double Break, two circuit, Form Z Latching* (maintained contact) (Outlet position must be 2, 4 or 5)</p> <p>*CSA certification for DMDB require potted-in leads or cable.</p>	AC		DC		Volts	Amps	Volts	Amps	120	10	24	3	240	5	48	1	480	2.5	125	0.5			250	0.5	<p>Target Material: Ferrous steel</p> <p>Sensing Range: Approx. 3/8" (10mm) standard; 9/16" (14mm) extended sensing (Model 11)</p> <p>Sensing Range with Target Magnet: up to 3 3/4" (95 mm) (max)</p> <p>✓ 1 Standard sensing - approx. 3/8" (10 mm) side sensing</p> <p>✓ 2 Extended sensing - approx. 9/16" (14 mm) side sensing (Contact Form must be 1 or 3) (Model 11)</p> <p>7 Precision sensing - approx. 1/4" (6 mm) side sensing (minimal differential)</p>	<p>Conduit Outlet: 1/2" NPT</p> <p>✓ 1 Behind sensing area</p> <p>2 Left of sensing area</p> <p>3 Right of sensing area</p> <p>4 Same side as sensing area</p> <p>✓ 5 Bottom of enclosure</p>	<p>Material: Brass or Stainless Steel</p> <p>✓ 1 Brass - coated with flat black lacquer</p> <p>2 Stainless steel**</p> <p>3 Brass - corrosion resistant coating (polyurethane)</p> <p>4 Stainless steel - corrosion resistant coating (polyurethane)**</p> <p>**All-welded stainless steel switches are recommended for wet or harsh environments.</p>	<p>0 CSA / FM certified CI I, Div 2, Grps A,B,C,D; CI II, Div 2, Grps F & G; CI III Terminal block. (Contact form must be 1 or 3) (Wiring must be 00)</p> <p>2 High temperature to 350°F (176°C) with Teflon™ insulated leads (Model 11) (Contact form must be 1 or 3) (Sensing must be 1) (Enclosure must be 2) (Wiring must be F)</p> <p>3 UL listed explosion proof for CI I, Div 1 & 2; Grps A,B,C,D; CI II, Div 1 & 2, Grps E-G; CI III (Enclosure must be 2 or 4) (Wiring must be A, B, or F) (Lead seal req'd within 18")</p> <p>✓ 4 CSA / FM certified explosion proof for CI I, Div 1; Grps A,B,C,D; CI II, Div 1, Grps E-G; CI III. (Enclosure must be 2 or 4) (Wiring must be A, B, or F) (Lead seal req'd within 18")</p> <p>5 Mine Safety Health Administration (MSHA) approved "Explosion Proof", File #X / P-1504-1, X / P-1504-2; 6 ft. (1.829m) potted-in SO cable only (Enclosure must be 2) (Wiring must be B3)</p> <p>✓ 6 CSA / FM certified explosion proof for CI I, Div 2; Grps A,B,C,D; CI II, Div 2, Grps E-G; CI III (Wiring must be A, B, or F) (Lead seal req'd within 18")</p> <p>✓ 7 CSA certified General Purpose</p> <p>✓ 8 UL listed General Purpose</p>	<p>Terminal Block</p> <p>✓ 00 Terminal block only (not recommended for underwater use) (Approval must be 0, 7 or 8)</p> <p>Lead Wires 18 Gauge (.110" dia.) potted-in PVC insulated AWM / TEW stranded lead wires rated at 221°F (105°C) 600V UL / CSA listed</p> <p>✓ A2 36" (914 mm)</p> <p>A3 72" (1829 mm)</p> <p>A4 144" (3658 mm)</p> <p>A_ _ _ Lengths greater than 144" (Specify length in 5' increments (e.g. A150 = 150 ft. of leads))</p> <p>Cable 18 Gauge (.450" dia.) potted-in SO rubber covered cable rated at 194°F (90°C) 600V UL / CSA listed</p> <p>B2 36" (914 mm)</p> <p>B3 72" (1829 mm)</p> <p>B4 144" (3658 mm)</p> <p>B_ _ _ Lengths greater than 144" (Specify length in 5' increments (e.g. B150 = 150 ft. of cable))</p> <p>Quick Disconnect Male Quick Disconnect only, potted-in connector. (CSA requires a case ground) (Approval must be 7 or 8)</p> <table border="0"> <tr> <td>Mini-change®</td> <td>Micro-change®</td> </tr> <tr> <td>DCA 3 - pin Mini-change® type</td> <td>DBA 3 - pin Micro-change® type</td> </tr> <tr> <td>DCD 4 - pin Mini-change® type</td> <td>DBD 4 - pin Micro-change® type</td> </tr> <tr> <td>DCG 5 - pin Mini-change® type</td> <td>DBG 5 - pin Micro-change® type</td> </tr> </table> <p>SubSea™ Underwater Connector (Enclosure must be 2 or 4) (Approval 7 or 8)</p> <p>3DD 3 pin, certified not to leak underwater (includes male/female Delrin™ lock sleeves)</p> <p>4DD 4 pin, certified not to leak underwater (includes male/female Delrin™ lock sleeves)</p> <p>3DE 3 pin right-angle, certified not to leak underwater</p> <p>4DE 4 pin right-angle, certified not to leak underwater</p> <p>HiTemp Wire 18 gauge (.070" dia.) potted-in Teflon™ insulated leads rated at 482°F (250°C) 600V UL / CSA listed</p> <p>F2 36" (914 mm)</p> <p>F3 72" (1829 mm)</p> <p>F4 144" (3658 mm)</p> <p>F_ _ _ Lengths greater than 144" (Specify length in 5' increments (e.g. F150 = 150 ft. of leads))</p>	Mini-change®	Micro-change®	DCA 3 - pin Mini-change® type	DBA 3 - pin Micro-change® type	DCD 4 - pin Mini-change® type	DBD 4 - pin Micro-change® type	DCG 5 - pin Mini-change® type	DBG 5 - pin Micro-change® type
AC		DC																																				
Volts	Amps	Volts	Amps																																			
120	10	24	3																																			
240	5	48	1																																			
480	2.5	125	0.5																																			
		250	0.5																																			
Mini-change®	Micro-change®																																					
DCA 3 - pin Mini-change® type	DBA 3 - pin Micro-change® type																																					
DCD 4 - pin Mini-change® type	DBD 4 - pin Micro-change® type																																					
DCG 5 - pin Mini-change® type	DBG 5 - pin Micro-change® type																																					
Model	Contact Form	Sensing Range	Outlet Position	Enclosure Material	Approvals	Wiring Options																																

Need Accessories?

See pp. 92-103 for:

- Range Extending
- Target Magnets
- Mounting Brackets
- Connectors and more!

Ordering Guide

Fill in the boxes to create your 'ordering number.'

Extended Sensing with External Target Magnets

AMP3 Target Magnet			10 Series			20 Series		
Contact Form		1 Standard	2 Extended	7 Precision	1 Standard	7 Precision		
SPDT	Sensing Differential	1" (25mm) 1/2" (13mm)	1-1/4" (32mm) 5/8" (16mm)	11/16" (17mm) 7/16" (11 mm)	1" (25 mm) 3/4" (19 mm)	3/4" (19 mm) 7/16" (11 mm)		
SPDT Latching	Sensing Differential	15/16" (24mm) N/A	1-1/4" (32mm) N/A	3/4" (19mm) N/A	1" (25 mm) N/A	13/16" (21 mm) N/A		
DMDB	Sensing Differential	1" (25mm) 11/16" (17mm)	N/A	9/16" (14mm) 7/16" (11mm)	1" (25 mm) N/A	3/4" (19 mm) 11/16" (17 mm)		
DMDB Latching	Sensing Differential	1" (25mm) N/A	N/A	N/A	1-1/4" (32 mm) N/A	N/A		

AMS4 Target Magnet			10 Series			20 Series		
Contact Form		1 Standard	2 Extended	7 Precision	1 Standard	7 Precision		
SPDT	Sensing Differential	1-1/4" (32mm) 11-16" (17mm)	1-9/16" (40mm) 11/16" (17mm)	7/8" (22mm) 1/2" (13 mm)	1-3/8" (35 mm) 7/8" (22 mm)	1" (25 mm) 7/16" (11 mm)		
SPDT Latching	Sensing Differential	1-3/16" (30mm) N/A	1-5/8" (40mm) N/A	1" (25 mm) N/A	1-7/16" (37mm) N/A	1" (25 mm) N/A		
DMDB	Sensing Differential	1-1/4" (32 mm) 7/8" (22 mm)	N/A	13/16" (21mm) 1/2" (13mm)	1-15/16" (37mm) 9/16" (14 mm)	1" (25 mm) 3/4" (19 mm)		
DMDB Latching	Sensing Differential	1-11-32" (34 mm) N/A	N/A	N/A	1-9/16" (40mm) N/A	N/A		

AMC5 Target Magnet			10 Series			20 Series		
Contact Form		1 Standard	2 Extended	7 Precision	1 Standard	7 Precision		
SPDT	Sensing Differential	3-3/8" (86mm) 1-1/2" (38mm)	3-3/4" (95mm) 1-1/2" (38mm)	2-3/8" (60mm) 1" (25mm)	3-3/8" (86mm) 1-3/4" (44mm)	2-5/8" (66mm) 1" (25mm)		
SPDT Latching	Sensing Differential	3-3/32" (79mm) N/A	3-7/8" (98mm) N/A	2-11/16" (88mm) N/A	3-7/16" (87mm) N/A	2-13/16" (71mm) N/A		
DMDB	Sensing Differential	3-7/16" (87mm) 1-13/16" (46mm)	N/A	2-7/32" (56mm) 1" (25mm)	3-3/8" (86mm) 2" (51mm)	2-5/8" (67mm) 1-3/8" (35mm)		
DMDB Latching	Sensing Differential	3-3/8" (86mm) N/A	N/A	N/A	3-7/8" (98mm) N/A	N/A		

AMF6 Target Magnet			10 Series			20 Series		
Contact Form		1 Standard	2 Extended	7 Precision	1 Standard	7 Precision		
SPDT	Sensing Differential	2-7/16" (62mm) 1-1/2" (38mm)	3" (76mm) 1-11/16" (38mm)	1-15/16" (33mm) 1-3-32" (28mm)	2-7/16" (62mm) 1-15/16" (49mm)	1-9/16" (40mm) 7/8" (22mm)		
SPDT Latching	Sensing Differential	2-5/32" (55mm) N/A	3-3/16" (81 mm) N/A	1-9/16" (40mm) N/A	2-1/2" (64mm) N/A	1-13/16" (46mm) N/A		
DMDB	Sensing Differential	2-1/4" (57mm) 1-13/16" (46mm)	N/A	1-1/8" (29mm) 1-3/32" (28mm)	2-3/8" (60mm) 2-13/16" (71mm)	1-1/2" (38mm) N/A		
DMDB Latching	Sensing Differential	2-7/16" (62mm) N/A	N/A	N/A	3" (76mm) N/A	N/A		

Agency Approvals

Approvals	(3) UL Class 1 Div 1	(4) CSA/FM Class 1 Div 1	(5) MSHA	(6) CSA/FM Class 1 Div 2	(7) CSA General Purpose	(8) UL General Purpose	(0) CSA/FM Class 1 Div 2
Termination Options							
00 - Terminal Block					X	X	X
A - Potted PVC Leads	X	X		X	X	X	
B - Potted SO Cable	X	X	X	X	X	X	
D - Quick Disconnect					X	X	
D - SubSea™ Connector					X	X	
F - Potted HiTemp™ Leads	X	X		X	X	X	

X = Approvals Available

NEMA Ratings

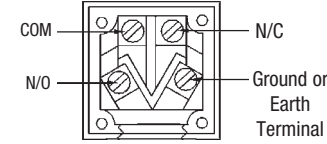
NEMA CLASSES	Non-Hazardous				Hazardous	
	4	4X	6	6P	7	9
00 - Terminal Block	X					
A - Potted PVC Leads	X	SS	X	SS	SS	SS
B - Potted SO Cable	X	SS	X	SS	SS	SS
D - Quick Disconnect	X	SS	X	SS		
D - SubSea™ Connector	X	SS	X	SS		
F - Potted HiTemp™ Leads	X	SS	X	SS	SS	SS

SS = Stainless steel

X = Designed to meet respective NEMA specifications

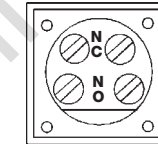
Wiring Diagrams (male view)

4 Wire PVC & HiTemp Leads	
N/C	Red
N/O	Blue
COM	Black
GND	Green



SPDT (Terminal Block)

Terminations A & F



DMDB (Two Circuit)
Same polarity only

SO Cable	
N/C	Red
N/O	White
COM	Black
GND	Green

Termination B

DMDB Form Z PVC Leads	
N/C 1 & 2	Red & Red/White Stripe
N/O 1 & 2	Blue & Blue/White Stripe

Termination A

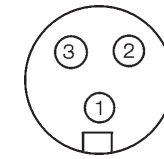
DMDB 4 Conductor SO Cable	
N/O 2	Black
N/C 2	White
N/C 1	Red
N/O 1	Green

Termination B

DMDB Form Z Mini-Change QDC - 4 Pin	
Pin 1	N/O 2
Pin 2	N/C 2
Pin 3	N/C 1
Pin 4	N/O 1

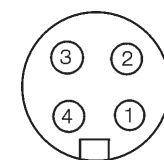
Termination DCD

Mini-Change QDC - 3 Pin	
Pin 1	COM
Pin 2	N/C
Pin 3	N/O



Termination DCA

Mini-Change QDC - 4 Pin	
Pin 1	COM
Pin 2	N/O
Pin 3	N/C
Pin 4	GND

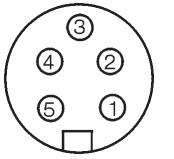


Termination DCD

DMDB 5 Conductor SO Cable	
N/C 2	White
N/C 1	Red
GND	Green
N/O 1	Orange
N/O 2	Black

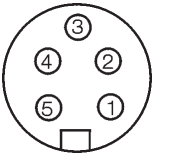
Termination B

Mini-Change QDC - 5 Pin - SPDT	
Pin 1	N/O
Pin 2	N/C
Pin 3	GND
Pin 4	Inactive
Pin 5	COM



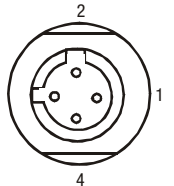
Termination DCG

Mini-Change QDC - 5 Pin - DMDB	
Pin 1	N/C 2
Pin 2	N/C 1
Pin 3	GND
Pin 4	N/O 1
Pin 5	N/O 2



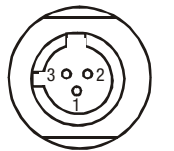
Termination DCG

Micro-Change QDC - 4 Pin	
Pin 1	COM
Pin 2	N/O
Pin 3	N/C
Pin 4	GND



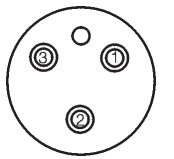
Termination DBD

Micro-Change QDC - 3 Pin	
Pin 1	COM
Pin 2	N/C
Pin 3	N/O



Termination DBA

SubSea - 3 Pin - Lock Sleeve	
Pin 1	N/C
Pin 2	COM
Pin 3	N/O



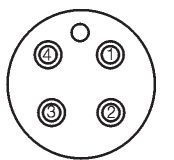
Termination 3DD

SubSea - 3 Pin - Right Angle	
Pin 1	COM
Pin 2	N/O
Pin 3	N/C



Termination 3DE

SubSea - 4 Pin - Lock Sleeve	
Pin 1	COM
Pin 2	N/O
Pin 3	N/C
Pin 4	GND



Termination 4DD