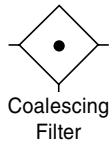


Coalescing Filter

M16

= "Most Popular"



M16-02-000

Features

- Manual Drain
- 0.01 Micron Rated Filter Element
- Quick-disconnect Bowl Guard with Integral Plastic Bowl and Safety Latch
- Differential Pressure Indicator Standard

Specifications

Flow Capacity *	1/4	37.0 SCFM (17.5 dm ³ /s)
	3/8	44.7 SCFM (21.0 dm ³ /s)
	1/2	46.1 SCFM (21.7 dm ³ /s)
Maximum Supply Pressure	Plastic Bowl	150 PSIG (10.3 bar)
	Metal Bowl	200 PSIG (13.8 bar)
Operating Temperature	Plastic Bowl	32° to 125°F (0° to 52°C)
	Metal Bowl	32° to 150°F (0° to 65.5°C)
Port Size	NPT / BSPP-G 1/4, 3/8, 1/2	
Standard Filtration	Micron (B) 0.5, (C) 0.01	
	(D) 0.003 ppm / wt **	
Useful Retention †	oz. (cm ³)	2.7 (81)
Weight	lb. (kg)	1.8 (0.8)

* Inlet pressure 150 PSIG (10.3 bar). Pressure drop 3 PSID (0.2 bar).

** Filtration temperature of 70°F (21°C) @ 100 PSIG (6.9 bar) with typical compressor lubricating oil and protected by Type "C" filter.

† Useful retention refers to volume below the quiet zone baffle.

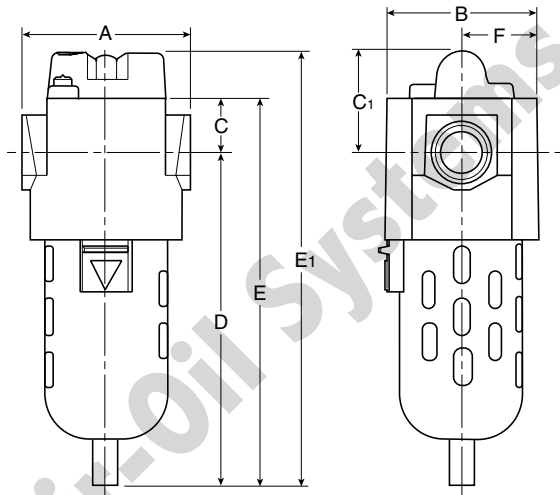
"M" Series Coalescing Filters, with Type "B" 0.5 micron elements: All Wilkerson Type "M" Oil Removal (Coalescing) Filters with Type "B" 0.5 micron elements **exceed ISO Class 2** for maximum particle size and concentration of solid contaminants, and exceed Class 3 on maximum oil content (ppm/wt).

"M" Series Coalescing Filters, with Type "C" 0.01 micron elements: All Wilkerson Type "M" Oil Removal (Coalescing) Filters with Type "C" 0.01 micron elements **exceed ISO Class 1** for maximum particle size and concentration of solid contaminants, and exceed Class 1 on maximum oil content (ppm/wt).

"M" Series Adsorption Filters, with Type "D" activated carbon elements: All Wilkerson Type "M" adsorption filters with Type "D" activated carbon elements **exceed ISO Class 1** on maximum oil content (ppm/wt).

Materials of Construction

Body	Zinc	
Bowls	Plastic Bowl	Polycarbonate
	Metal Bowl	Zinc
Element Retainer	Brass Stud	
Filter Elements	Type "B", "C"	Borosilicate Cloth
	Type "D"	Activated Carbon
Seals	Fluorocarbon	



Dimensions

Models	Inches (mm)	A	B	C	C ₁	D	E	E ₁	F
Standard Unit M16-XX-000		3.00 (76)	2.60 (66)	1.00 (25.4)	1.83 (46.5)	5.67 (144)	6.67 (169)	7.50 (190.5)	1.30 (33)
Automatic Drain M16-XX-F00		3.00 (76)	2.60 (66)	1.00 (25.4)	1.83 (46.5)	5.81 (148)	6.81 (173)	7.64 (190.5)	1.30 (33)

= "Most Popular"

Replacement Bowl Kits

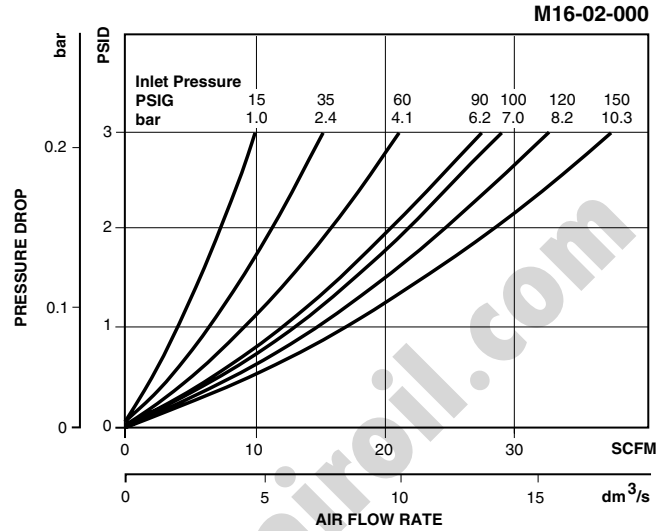
- Metal Bowl –
 - Automatic Drain FRP-95-950
 - Manual Drain FRP-95-178
- Plastic Bowl –
 - Bowl Guard, Auto Drain..... FRP-95-015
 - Bowl Guard, Manual Drain..... FRP-95-014
 - Manual Drain FRP-95-017

Replacement Element Kits

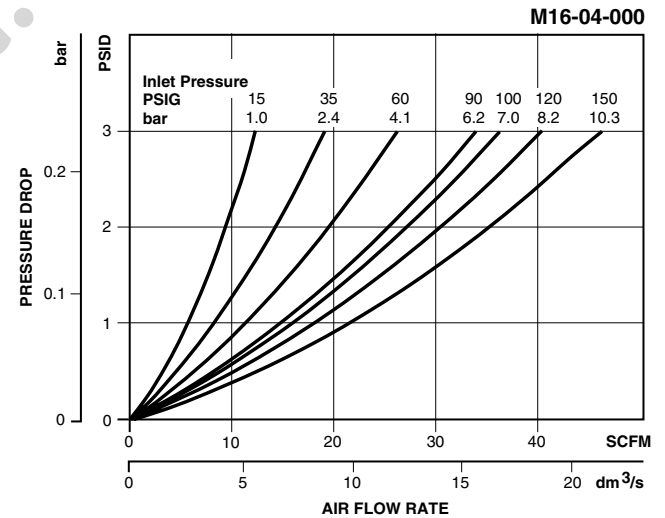
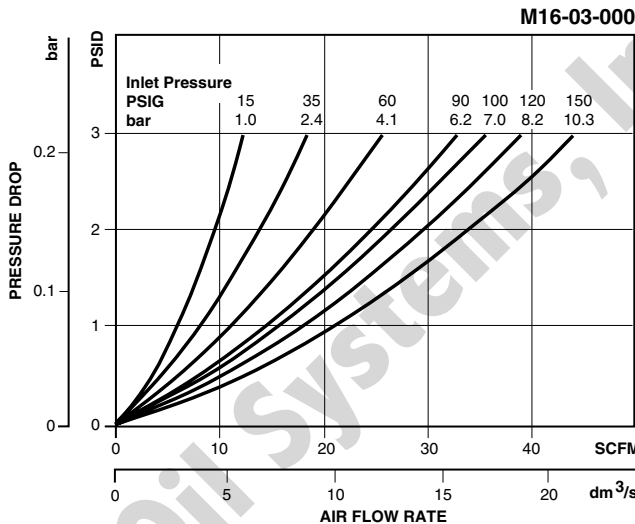
- Type "B", 0.5 Micron..... MSP-95-988
- Type "C", 0.01 Micron..... MTP-95-548
- Type "D", Oil Vapor Removing..... MXP-95-987

Accessories

- Automatic Mechanical Drain GRP-95-973
- Cap, Differential Pressure Indicator –
 - For pressures over 150 PSIG..... GRP-95-020
- Differential Pressure Indicator DP2-01-000
- Manual Drain..... FRP-95-610
- Sight Gauge Kit..... GRP-95-079
- Wall Mounting Bracket, L-Type GRP-95-016



E



Ordering Information

Model Type	Port Size	Polycarbonate Bowl / Bowl Guard / "C" Element	Metal Bowl / "C" Element	Polycarbonate Bowl / Bowl Guard / "B" Element	Polycarbonate Bowl / Bowl Guard / "D" Element (No DPI)
Manual Drain	1/4	M16-02-000	M16-02-M00	M16-02-S00	M16-02-X00
	3/8	M16-03-000	M16-03-M00	M16-03-S00	M16-03-X00
	1/2	M16-04-000	M16-04-M00	M16-04-S00	M16-04-X00
Automatic Drain	1/4	M16-02-F00	M16-02-FM0	M16-02-FS0	—
	3/8	M16-03-F00	M16-03-FM0	M16-03-FS0	—
	1/2	M16-04-F00	M16-04-FM0	M16-04-FS0	—

Options - To order an option supplied with the unit model, add the appropriate coded suffix letter in the designated position of the model number.