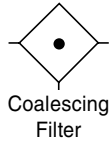


Coalescing Filter

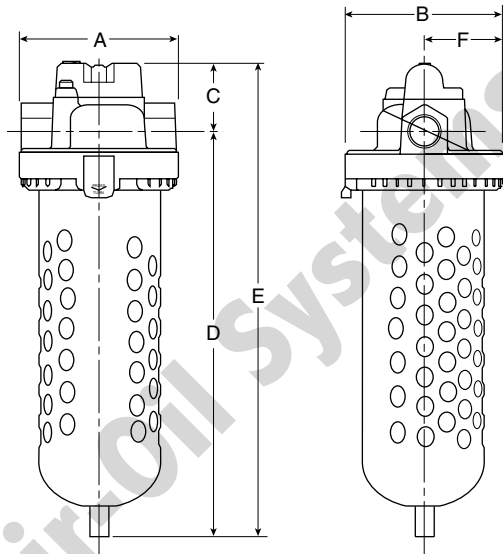
M21



M21-03-000

Features

- Manual Drain
- 0.01 Micron Rated Filter Element
- Quick-disconnect Bowl Guard with Integral Plastic Bowl and Safety Latch
- Differential Pressure Indicator



Dimensions

Models	Inches (mm)	A	B	C	D	E	F
Standard Unit M21-03-000		3.70 (94)	3.79 (96.5)	1.70 (43.2)	9.20 (233.7)	10.90 (276.9)	1.89 (48.1)
Automatic Drain M21-03-F00		3.70 (94)	3.79 (96.5)	1.70 (43.2)	9.34 (237)	11.04 (280)	1.89 (48.1)

= "Most Popular"

Specifications

Flow Capacity *	3/8	95.4 SCFM (45.0 dm ³ /s)
Maximum Supply Pressure	Plastic Bowl	150 PSIG (10.3 bar)
Operating Temperature	Plastic Bowl	32° to 125°F (0° to 52°C)
Port Size	NPT / BSPP-G	3/8
Standard Filtration	Micron	(B) 0.5, (C) 0.01 (D) 0.003 ppm / wt **
Useful Retention †	oz. (cm ³)	3.9 (116)
Weight	lb. (kg)	3.7 (1.68)

* Inlet pressure 150 PSIG (10.3 bar). Pressure drop of 3 PSID (0.2 bar).

** Filtration temperature of 70°F (21°C) @ 100 PSIG (6.9 bar) with typical compressor lubricating oil and protected by Type "C" filter.

† Useful retention refers to volume below the quiet zone baffle.

"M" Series Coalescing Filters, with Type "B" 0.5 micron elements: All Wilkerson Type "M" Oil Removal (Coalescing) Filters with Type "B" 0.5 micron elements **exceed ISO Class 2** for maximum particle size and concentration of solid contaminants, and exceed Class 3 on maximum oil content (ppm/wt).

"M" Series Coalescing Filters, with Type "C" 0.01 micron elements: All Wilkerson Type "M" Oil Removal (Coalescing) Filters with Type "C" 0.01 micron elements **exceed ISO Class 1** for maximum particle size and concentration of solid contaminants, and exceed Class 1 on maximum oil content (ppm/wt).

"M" Series Adsorption Filters, with Type "D" activated carbon elements: All Wilkerson Type "M" adsorption filters with Type "D" activated carbon elements **exceed ISO Class 1** on maximum oil content (ppm/wt).

Materials of Construction

Body	Zinc	
Bowl	Polycarbonate	
Element Retainer	Brass Stud	
Filter Elements	Type "B", "C" Type "D"	Borosilicate Cloth Activated Carbon
Seals	Fluorocarbon	

 = "Most Popular"

Replacement Bowl Kits

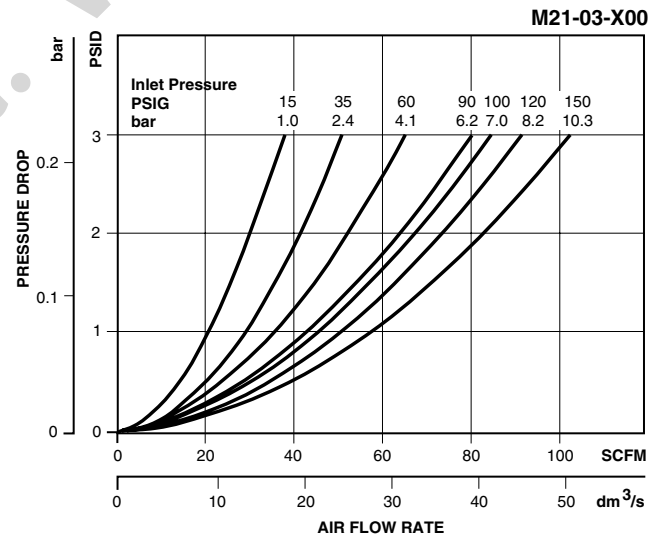
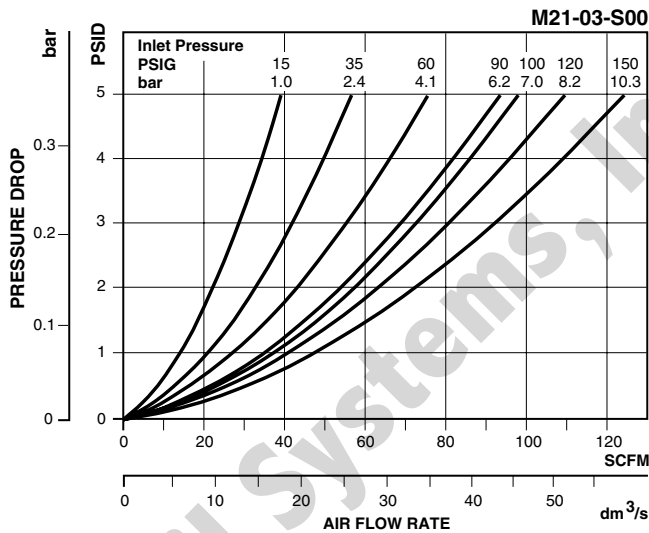
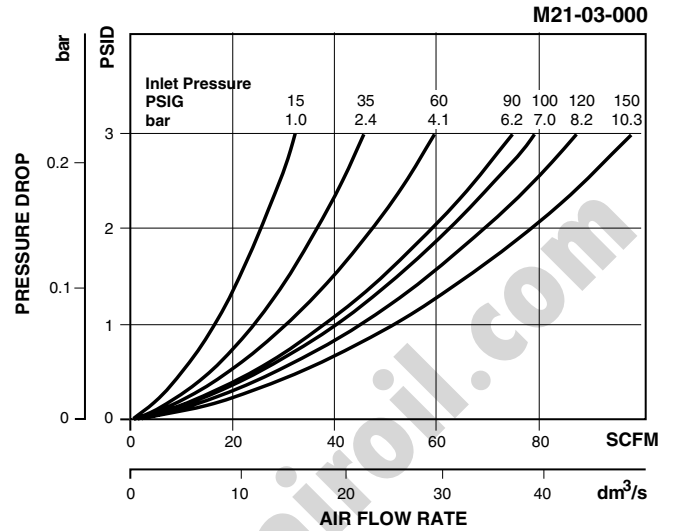
- Plastic Bowl –
- Bowl Guard, Manual Drain FRP-95-722
- Bowl Guard, Automatic Drain MRP-95-722

Replacement Element Kits

- Type "B", 0.5 Micron MSP-95-990
- Type "C", 0.01 Micron MTP-95-550
- Type "D", Oil Vapor Removing MXP-95-537

Accessories

- Automatic Drain GRP-95-973
- Cap, Differential Pressure Indicator –
- For pressures over 150 PSIG GRP-95-020
- Differential Pressure Indicator DP2-01-000
- Manual Flex-Tip FRP-95-610
- Wall Mounting Bracket, U-bolt Pipe Clamp GRP-95-734



E

Ordering Information

Model Type	Port Size	Polycarbonate Bowl / Bowl Guard / "C" Element
Manual Drain	3/8	M21-03-000
Automatic Drain	3/8	M21-03-F00

Options - To order an option supplied with the unit model, add the appropriate coded suffix letter in the designated position of the model number.