

How to install ERD25 and ERD30 actuators to conform with USDA accepted equipment certification.



Contents

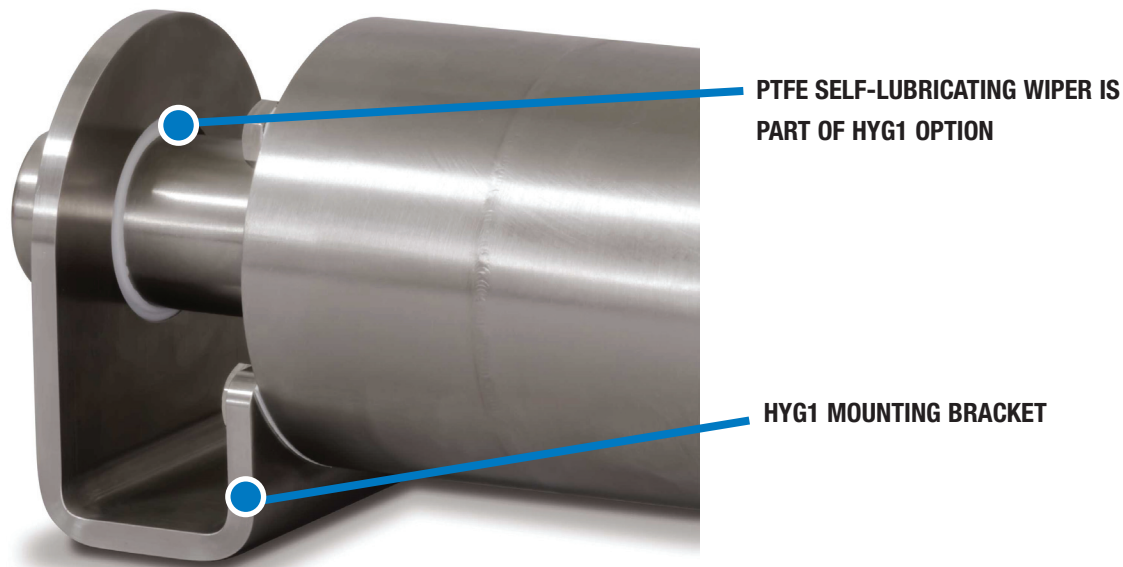
| | | |
|---|--|---|
| 1 | Tolomatic ERD25/30 USDA Accepted Equipment Certification | 2 |
| 2 | ERD25 and ERD30 HYG1 option..... | 2 |
| 3 | Acceptable Mounting and Installation Configurations | 2 |

1 Tolomatic ERD USDA Accepted Equipment Certification

Tolomatic ERD25 and ERD30 electric cylinders are USDA Accepted Equipment Certified for use in meat (livestock), poultry, and dairy food processing applications when ordered with the IP69K HYG1 option. These products conform to USDA specifications for all external actuator materials including metals, plastics, rubbers and lubricants. This Technical Note will discuss the IP69K HYG1 option, the acceptable mounting procedures and how to install the ERD25 and ERD30 actuators to maintain USDA food safety regulations for Class 1, clean in place installations.

2 ERD25 and ERD30 IP69K HYG1 Option

All ERD25 and ERD30 electric cylinders are available when ordering with the IP69K HYG1 USDA approved hygienic design option. This option includes the use of PTFE (polytetrafluoroethylene) self-lubricating wiper for maximum ingress protection and resistance to caustic wash down procedures and a special USDA mounting bracket that should be used in the mounting scenarios shown in section 3.

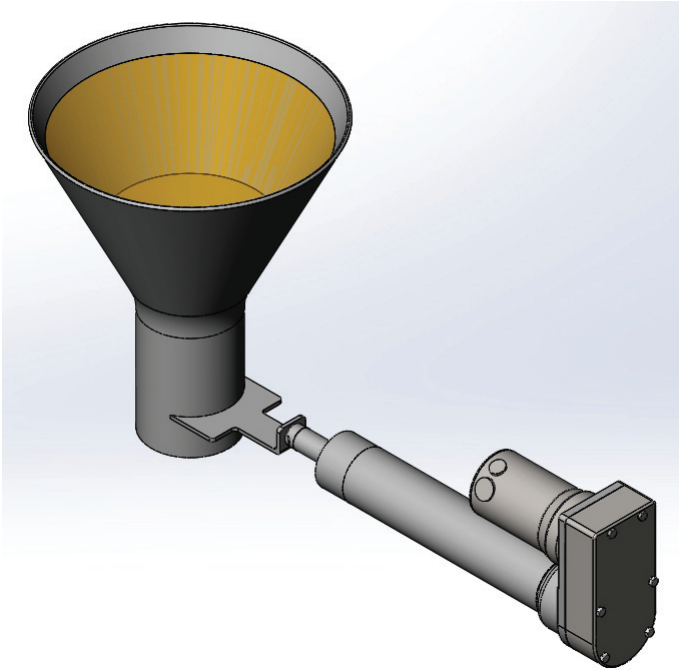


3 Acceptable Mounting and Installation Configurations

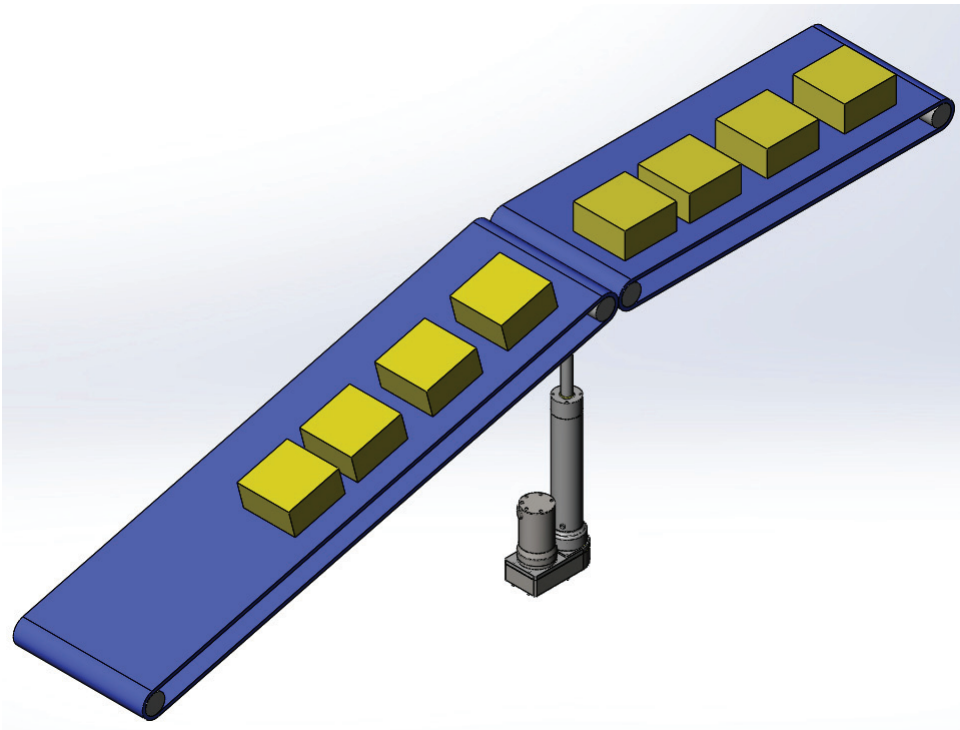
For non-product contact applications where actuator and/or mounting hardware is used away from product or product contact zone:

When used in applications where the actuator and/or mounting hardware does not come in contact with product, the ERD25 and 30 actuators may be used without the HYG1 mounting bracket when used with a rear clevis, trunnion, front flange, foot or customer supplied mounts.

Non-Product Contact in Horizontal Applications—HYG1 Option Not Required



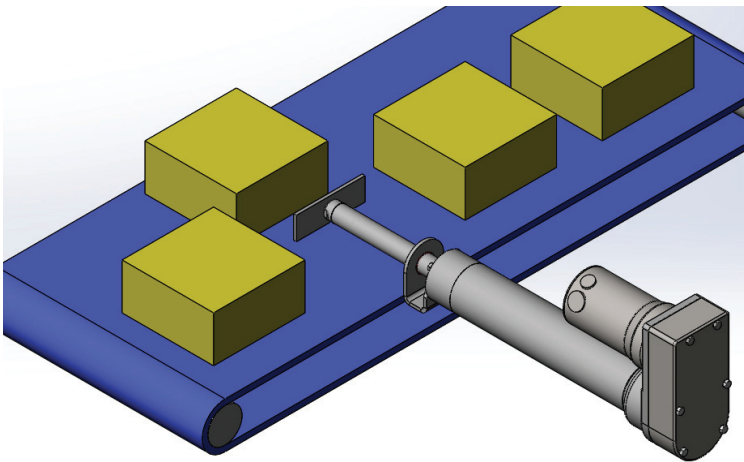
Non-Product Contact in Vertical Applications—HYG1 Option Not Required



For product contact applications where actuator and/or mounting hardware is used near product or in product contact zone with thrust rod and rod end of actuator on or over product and/or product contact zone:

When used in horizontal applications ERD25 and 30 actuators must be used with the HYG1 mounting bracket with the PTFE wiper. Acceptable actuator mounts include Tolomatic rear clevis, trunnion, front flange, or foot mounts. In vertical applications, the HYG1 option does not provide the necessary protection from contaminants and protective shielding is required.

Product or Splash Contact in Horizontal Applications—HYG1 Option is Required



Product or Splash Contact in Vertical Applications—HYG1 Option is Insufficient and Must Provide Shielding to Catch Contaminants

