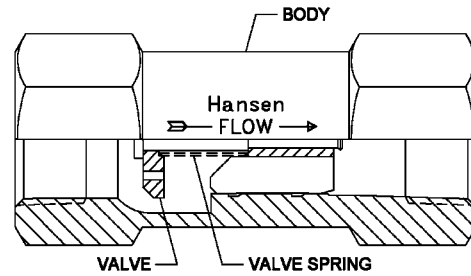


# Series FS Flow Sensor



Series FS Flow Sensors are designed to protect personnel and property in case of hose failure in compliance with Federal Safety Regulations. Flow Sensors are intended for use with compressed air.

**Features**

- Automatically shuts off air flow to ruptured hose
- Reduces risk of injury or damage from hose whip
- Automatically resets after failure correction
- 250 psig pressure rating (all sizes)
- Low pressure drop
- Operates in any orientation
- Compact design, economical, tamper-resistant

**Standard Materials**

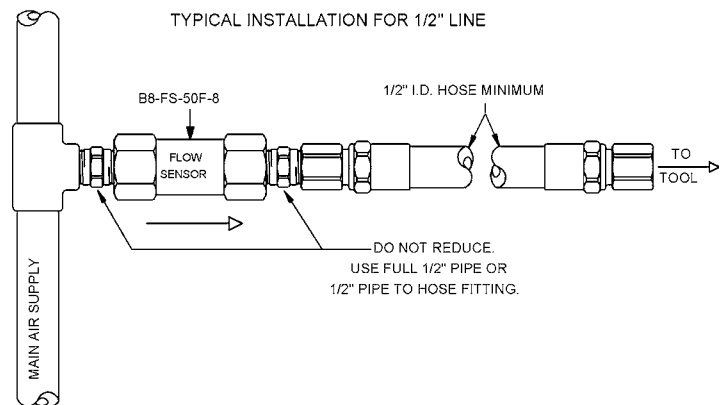
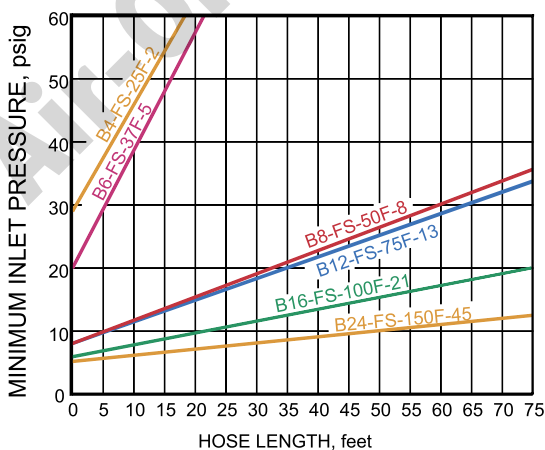
- Brass body
- Acetal valve (1/4" - 1")
- Brass valve (1 1/2")
- Stainless steel valve spring

Body Size	Part Number	Thread Size, NPTF	SHUT-OFF FLOW, scfm, at Inlet Pressure, psig								Dimensions	
			60	80	100	120	140	160	180	200	Length	Hex
1/4"	B4-FS-25F-2	1/4-18	16	18	20	22	23	25	26	27	2.14	0.75
3/8"	B6-FS-37F-5	3/8-18	41	46	50	55	59	63	66	69	2.50	0.88
1/2"	B8-FS-50F-8	1/2-14	65	73	80	87	93	99	104	109	3.12	1.06
3/4"	B12-FS-75F-13	3/4-14	105	118	130	141	152	161	169	177	3.68	1.38
1"	B16-FS-100F-21	1-11 1/2	170	191	210	227	245	260	273	286	4.59	1.75
1-1/2"	B24-FS-150F-45	1 1/2-11 1/2	365	410	450	489	525	557	586	615	5.86	2.50

All Flow Sensors have a pressure drop of approximately 2 psid at 80% of shut-off flow.

**Flow Data** - The graph below left indicates the minimum inlet pressure for various hose lengths. Each Flow Sensor has a shut-off flow rating dependent upon inlet pressure. The length of hose and fitting size are critical in the proper operation of the valve. For example, with the B8-FS-50F-8 Flow Sensor, the hose I.D. must be 1/2" using only 1/2" pipe thread end fittings. Thirty feet of hose requires at least 20 psig inlet pressure; fifty feet of hose requires at least 28 psig inlet pressure; and seventy-five feet of hose requires at least 36 psig inlet pressure. Inlet pressures lower than those indicated on the curves below will not guarantee protection in case of hose failure. Valve shut-off occurs only when flow exceeds the flow rating for the inlet pressure.

If hose lengths greater than 75 feet are required, a 1/2" size or larger Flow Sensor must be installed on the inlet end of each 75-foot section, and a correspondingly higher inlet pressure must be supplied for proper operation of the Flow Sensor to assure safety.



All dimensions in inches.