

cylinders

**ASP** Series  
Steel Body NFPA Cylinder Line



Air-Oil Systems, Inc. [www.airoil.com](http://www.airoil.com)

**NUMATICS**

# Table of Contents

<b>ASP Series</b> .....	3-39
Features and Benefits .....	3
Standard Mounts .....	4
How to Order .....	5
Port Size Availability .....	6
Dimensions	
Rod Ends .....	7
Large Bore .....	8
Basic No Mount .....	9
Large Bore E3 and E4 Mount .....	10
F1 & F2 Mounts .....	11
F5 Mount .....	12
F6 Mount .....	13
P1 Mounts .....	14-15
P2 Mounts .....	16
P3 Mounts .....	17-18
P4 Mounts .....	19
S1 Mounts .....	20-21
S2 Mounts .....	22-23
S3 Mounts .....	24
S4 Mounts .....	25-26
S7 Mounts .....	27
T Mounts .....	28-29
X Mounts .....	30-31
U3 Mount .....	32
Double Rod Mounts .....	33-34
Cylinder Position Sensors .....	35
How to Order - ASP Series Repair Kit .....	36
How to Order - ASP Series Seal Kit .....	36
Piston Rod Assembly Kit Removal/Installation Instructions .....	37
Repair Kit and Seal Kit Removal/Installation Instructions .....	37
Diagrams .....	38
Seal Installation Guide .....	39

Air-Oil Systems, Inc. www.airoil.com



The **In Force Cylinder Line** is a heavy-duty, steel body cylinder line that is designed and built to exceed all of your strenuous application requirements. The **ASP Series** is an NFPA Steel Body *pneumatic cylinder line*. The **ASP Series** encompasses many of the same proven design features as our original NFPA Interchangeable cylinder, the A Series. This includes the extra long graphite filled cast iron rod bushing and a standard oversize wear band (located on the rear of the piston). Additionally, we have also included the proven "T" Seal piston seal configuration with carboxilated nitrile with self-lubricating Teflon® compound. These are just a sample of things that make the **ASP Series** the *Superior Steel Body air cylinder line*.

### Tube

The steel **tube** is honed to a fine micro-finish and then surface hardened by a Nitrotec process. Nitrotec is an innovative process that creates a thin (.001") uniform and extremely hard (64 to 71 Rc) iron nitride layer infused with a film of iron oxide. This process provides a smooth corrosion free sealing surface and superior abrasion resistance.

### End Caps

The **end caps** are accurately machined from precision square steel blocks. They also have a black oxide finish to protect from corrosion. Additionally, a recess on the piston-mating surface (at both ends) enables the air to work on a larger piston area for effortless breakaway (even at low pressures).

### Rod Bushing

The ASP Series (1-1/2" through 8") includes a graphite filled, cast iron **rod bushing** that is extra long in length. Graphite filling offers the best bearing surface when using a hard chrome plated piston rod. Cast iron provides maximum resistance against wear. The added length adds superior alignment and support of the piston rod as well as provides maximum load bearing support. Sizes 10" through 14" bores include an extra long bronze rod bushing.

### Rod Seal

The carboxilated nitrile with Teflon® compound **rod seal** is self-lubricating and durable. The rounded lip design ensures proper sealing and long life.

### Rod Wiper

The standard **rod wiper** construction is highly durable polyurethane.

### Piston Rod

The high strength steel (100,000 psi minimum yield) **piston rod** has a ground, polished, and chrome plated surface. This surface provides maximum life for both the rod bushing and the seals.

### Bushing Retainer

The **bushing retainer** allows cartridge removal (cylinder repair) without complete disassembly-(except X1 and X3 mounts). Full-face retainer on 1-1/2" through 2-1/2" bore. Round retainer on 3-1/4" through 14" bore. Both the Full-face and round retainer are steel construction.

### Tie-Rods

The **tie-rods** are 100,000 psi minimum yield steel for maximum holding power. They are roll formed for superior strength and engagement (up to 5/8").

### Piston Seal

The **piston seal** is carboxilated nitrile with Teflon® compound for self-lubricating. The "T" seal with back-up rings prevents rolling and seals at all pressures.

### Wear Band

The **wear band** is a stable, lubricating strip located on the piston. We separated the load bearing points by locating the wear band at the rear of the piston. This maximizes column strength at full-extension.



### Piston

The solid aluminum alloy **piston** is strong and durable.

### Cushion Seal

The floating **cushion seal** design enables rapid stroke reversal by providing instantaneous full-flow to the piston. Each cushion has a flush, retained adjustment needle.

### Tube End Seal

The **tube end seals** are compression type and reusable.

### Ports

Our enhanced **port** design enables the cylinder to work more efficiently. The use of precise machining depths and tool shape allows a smooth flow path into and out of the cylinder.

Teflon® is a registered trademark of DuPont™.

### Standard Specifications:

- Meets NFPA specifications
- Bore sizes from 1-1/2" through 14"
- Piston rod diameters from 5/8" to 3-1/2"
- Nominal pressure rating is 250 psi air
- Standard temperature -10° F to 165° F (-23° C to 74° C)
- All steel construction, except piston (aluminum)
- NPTF ports
- Flexible port locating
- Solid one-piece S2, P1, P3 and U3 head and cap (no welded lugs on 1-1/2" through 8" bores).

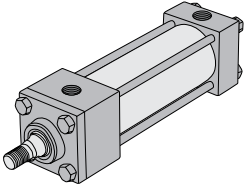


**ASP Series  
Steel Body NFPA**

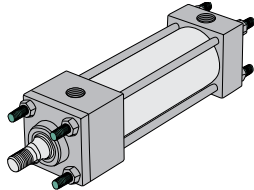
**NUMATICS®**

**Standard ASP Series Mounts - Centerline Mounts**

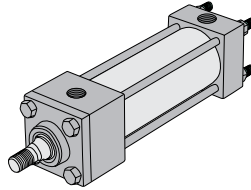
**X0 Mount**  
Basic No Mount



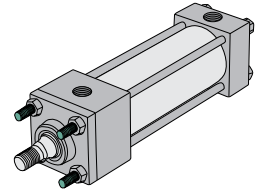
**X1 Mount**  
Extended Tie Rods – Both Ends



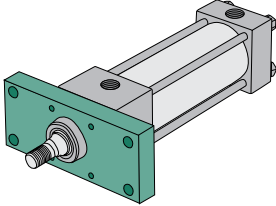
**X2 Mount**  
Extended Tie Rods – Cap End



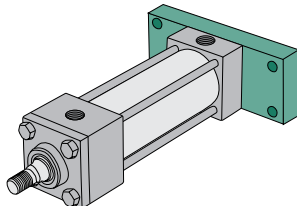
**X3 Mount**  
Extended Tie Rods – Head End



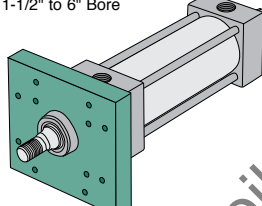
**F1 Mount**  
Head Rectangular Flange



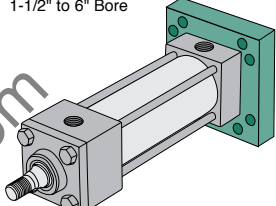
**F2 Mount**  
Cap Rectangular Flange



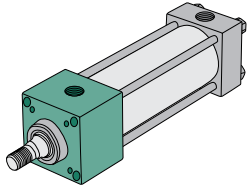
**F5 Mount**  
Head Square Flange  
1-1/2" to 6" Bore



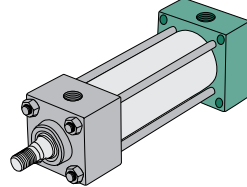
**F6 Mount**  
Cap Square Flange  
1-1/2" to 6" Bore



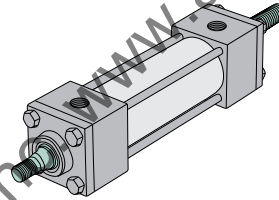
**E3 Mount**  
Head Square Mount



**E4 Mount**  
Cap Square Mount

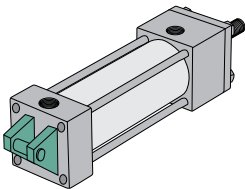


**DA Mount**  
Double Rod End

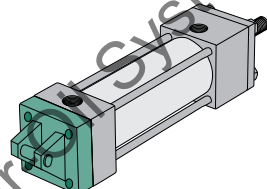


**Pivot Mounts**

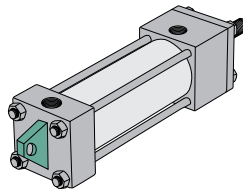
**P1 Mount**  
Fixed Clevis



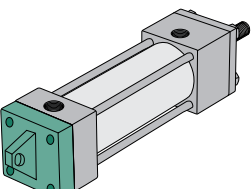
**P2 Mount**  
Detachable Clevis



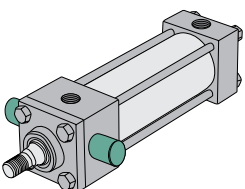
**P3 Mount**  
Fixed Eye



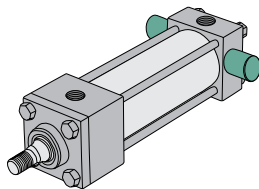
**P4 Mount**  
Detachable Eye



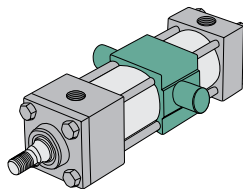
**T1 Mount**  
Head Trunnion



**T2 Mount**  
Cap Trunnion

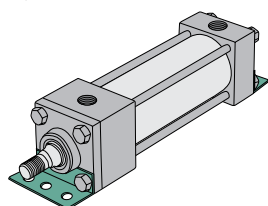


**T4 Mount**  
Intermediate Trunnion

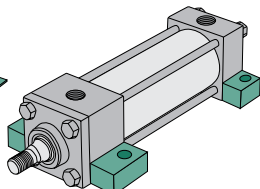


**Foot Mounts**

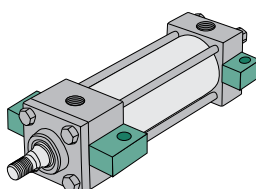
**S1 Mount**  
Angle Mount



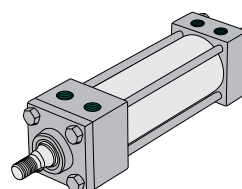
**S2 Mount**  
Side Lugs



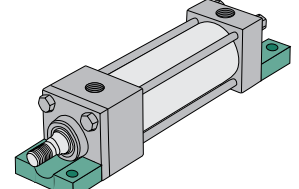
**S3 Mount**  
Centerline Lugs



**S4 Mount**  
Bottom Tapped



**S7 Mount**  
End Lugs





### How To Order

P1 ASP L-04 A 1 1 D-C AA 1 1

#### Cylinder Mounting

- E3\* = Head Square
- E4\* = Cap Square
- F1\*\* = Front Flange
- F2\*\* = Rear Flange
- P1 = Fixed Clevis
- P2 = Detachable Clevis
- P3 = Fixed Eye
- P4 = Detachable Eye
- S1 = Angle Mount
- S2\*\* = Side Lugs
- S3 = Centerline Lugs
- S4\*\* = Bottom Tapped
- S7 = End Lugs
- T1 = Head Trunnion
- T2 = Cap Trunnion
- T4\*\* = Mid Trunnion
- X0 = Basic No Mount
- X1 = Extended Tie Rods (Both Ends)
- X2 = Cap Extended Tie Rods
- X3 = Head Extended Tie Rods
- F5\*\* = Head Square Flange
- F6\*\* = Cap Square Flange

\*8"-14" Bore Only  
\*\*1-1/2"-6" Bore Only

#### Cylinder Type

ASP = Steel Body NFPA Pneumatic Cylinder Line

#### Cylinder Bore

- K = 1.50    R = 4.00    X = 10.00
- L = 2.00    T = 5.00    Y = 12.00
- M = 2.50    U = 6.00    B = 14.00
- P = 3.25    W = 8.00

Note: Consult factory for strokes greater than 99."

#### Full Inches of Stroke

- 00 = 0" Stroke
- 01 = 1" Stroke
- 02 = 2" Stroke
- 03 = 3" Stroke
- 04 = 4" Stroke
- 05 = 5" Stroke
- 99 = 99" Stroke

#### Fractional Inches of Stroke

- A = 0"    E = 1/4"    I = 1/2"    M = 3/4"
- B = 1/16"    F = 5/16"    J = 9/16"    N = 13/16"
- C = 1/8"    G = 3/8"    K = 5/8"    O = 7/8"
- D = 3/16"    H = 7/16"    L = 11/16"    P = 15/16"

#### Rod Diameter

- 1 = 0.625"    5 = 2.000"
- 2 = 1.000"    6 = 2.500"
- 3 = 1.375"    7 = 3.000"
- 4 = 1.750"    8 = 3.500"

Cap Cylindicator Position  
(Leave blank if NS or CR is not used.)

Head Cylindicator Position  
(Leave blank if NS or CR is not used.)

#### Options

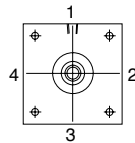
- AA = No Options
- EB = Silencer Bumpers
- KA = Stroke Adjuster
- DA = Double Rod End
- RB = Rod Boot
- GA = High Temp Rod Boot
- MA = Metallic Rod Scraper
- LB = Low Breakaway
- RA\* = Save Air Stroke Adjust
- SA = Stainless Rod
- ST = Stainless Tie Rods
- SS = Stainless Rod and Tie Rods
- VA\*\* = Viton Seals
- 1A\* = Rod Extension
- 2A\* = Thread Extension
- 3A = Rod Stud
- 4A\* = Stop Tube
- 4D = Double Piston Stop Tube
- PB = Four Wrench Flats
- JN = Jam Nut
- PA = Polypak Rod Seal
- PP = Polypak Piston
- NA = Nickel Plated
- NS = **Cylindicator Ready "No Stroke to Go"**
- CR = **Cylindicator Ready "Stroke to Go"**

\* Specify length

\*\* Viton is not recommended for non-lube service

Note: For additional and combination options, consult factory for details.

#### Cylinder Orientation



#### Cushions

Position	1	2	3	4	Fixed
No Cushions	A	A	A	A	A
Head & Cap	B	C	D	E	Y
Head Only	F	G	H	J	W
Cap Only	K	L	M	N	V

NOTE: Standard port location is position 1 and Standard cushion location is position 2.

#### Port Size

Position	1/8"	1/4"	3/8"	1/2"	3/4"	1"	1-1/4"
1	B	C	D	E	F	G	1
2	H	I	J	K	L	M	2
3	N	O	P	Q	R	S	3
4	T	U	V	W	X	Y	4

#### Rod End Style

- 1 = Style #1 Male Thread
- 2 = Style #2 Male Thread
- 3 = Style #3 Female Thread
- 4 = Special Rod End (Specify Threads)

### Rod End Styles, Diameters and Threads

Diameter	Style #1 Standard Male	Style #2 Optional Male	Style #3 Optional Female
0.625	7/16-20	1/2-20	7/16-20
1.000	3/4-16	7/8-14	3/4-16
1.375	1-14	1 1/4-12	1-14
1.750	1 1/4-12	1 1/2-12	1 1/4-12
2.000	1 1/2-12	1 3/4-12	1 1/2-12
2.500	1 7/8-12	2 1/4-12	1 7/8-12
3.000	2 1/4-12	2 3/4-12	2 1/4-12
3.500	2 1/2-12	3 1/4-12	2 1/2-12

### Rod Diameter by Bore Size

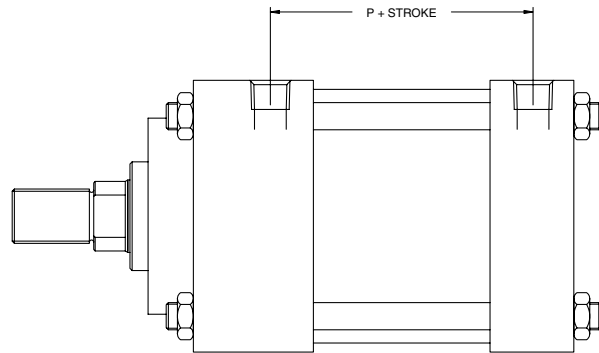
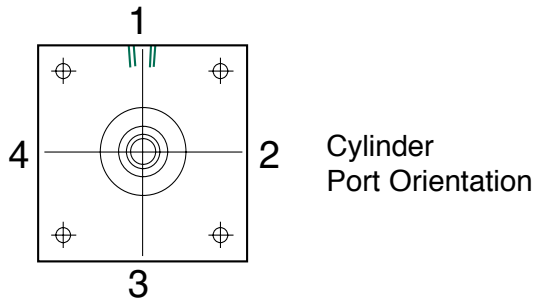
Bore	Standard Diameter	1st Oversized	2nd Oversized	3rd Oversized
1-1/2"	0.625	1.000	N/A	N/A
2"	0.625	1.000	1.375	N/A
2-1/2"	0.625	1.000	1.375	1.750
3-1/4"	1.000	1.375	1.750	2.000
4"	1.000	1.375	1.750	2.000
5"	1.000	1.375	1.750	2.000
6"	1.375	1.750	2.000	2.500
8"	1.375	1.750	2.000	2.500
10"	1.750	2.000	2.500	3.000
12"	2.000	2.500	3.000	3.500
14"	2.500	3.000	3.500	N/A



**ASP Series  
Steel Body NFPA**

**NUMATICS®**

**Port Size Availability**



The above drawing represents port location # 1.

Note: Larger port sizes per given bore may require slight changes in the "P" dimension

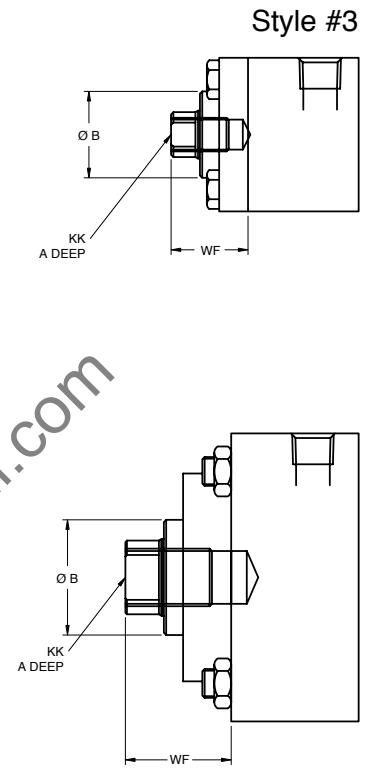
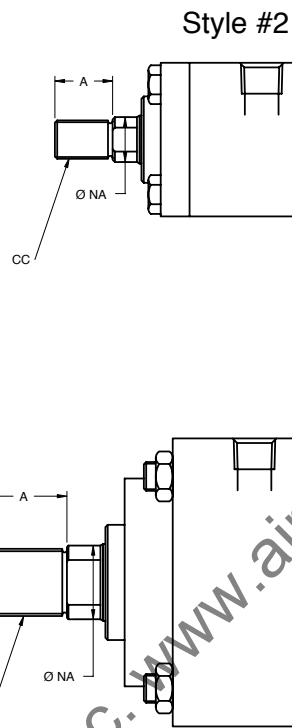
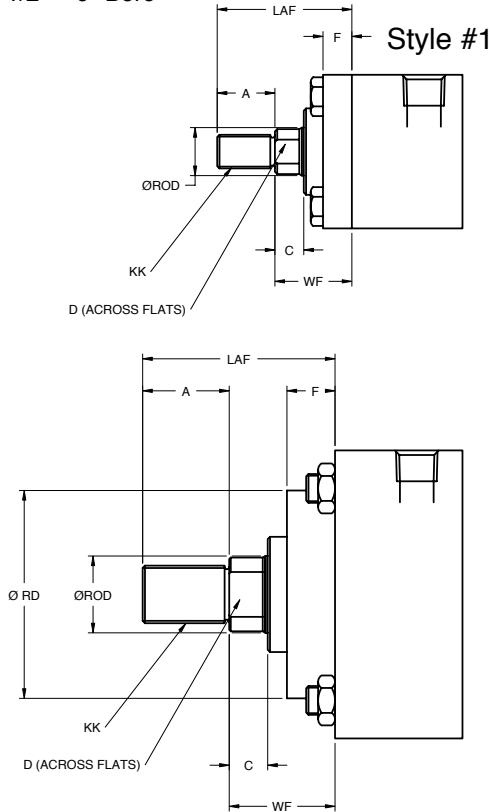
BORE	ROD	1/8 NPTF	1/4 NPTF	3/8 NPTF	1/2 NPTF	3/4 NPTF	1 NPTF	1-1/4 NPTF
1-1/2	5/8	◆	◆	◆	N/A	N/A	N/A	N/A
	1	◆	◆	N/A	N/A	N/A	N/A	N/A
2	5/8	◆	◆	◆	◆	N/A	N/A	N/A
	1	◆	◆	◆	N/A	N/A	N/A	N/A
	1-3/8	◆	◆	◆	N/A	N/A	N/A	N/A
2-1/2	5/8	◆	◆	◆	◆	N/A	N/A	N/A
	1	◆	◆	◆	◆	N/A	N/A	N/A
	1-3/8	◆	◆	◆	N/A	N/A	N/A	N/A
3-1/4	1-3/4	◆	◆	◆	N/A	N/A	N/A	N/A
	1	◆	◆	◆	◆	◆	N/A	N/A
	1-3/8	◆	◆	◆	◆	◆	N/A	N/A
	1-3/4	◆	◆	◆	◆	N/A	N/A	N/A
4	2	◆	◆	◆	◆	◆	N/A	N/A
	1	◆	◆	◆	◆	◆	N/A	N/A
	1-3/8	◆	◆	◆	◆	◆	N/A	N/A
5	1-3/4	◆	◆	◆	◆	◆	N/A	N/A
	1-3/8	◆	◆	◆	◆	◆	N/A	N/A
	1-3/4	◆	◆	◆	◆	◆	N/A	N/A
	2	◆	◆	◆	◆	◆	N/A	N/A
6	1-3/8	◆	◆	◆	◆	◆	◆	N/A
	1-3/4	◆	◆	◆	◆	◆	◆	N/A
	2	◆	◆	◆	◆	◆	N/A	N/A
8	2-1/2	◆	◆	◆	◆	◆	N/A	N/A
	1-3/8	◆	◆	◆	◆	◆	◆	N/A
	1-3/4	◆	◆	◆	◆	◆	◆	N/A
	2	◆	◆	◆	◆	◆	◆	N/A
10	2-1/2	◆	◆	◆	◆	◆	◆	N/A
	1-3/4	◆	◆	◆	◆	◆	◆	N/A
	2	◆	◆	◆	◆	◆	◆	N/A
12	2-1/2	◆	◆	◆	◆	◆	◆	◆
	3	◆	◆	◆	◆	◆	◆	N/A
	3-1/2	◆	◆	◆	◆	◆	◆	N/A
	2-1/2	◆	◆	◆	◆	◆	◆	◆
14	3	◆	◆	◆	◆	◆	◆	◆
	3-1/2	◆	◆	◆	◆	◆	◆	◆





### Standard and Optional Rod Ends

1-1/2" – 6" Bore



Bore	Rod	KK(1)	CC(2)	KK(3)	A	B	C	D	NA	LAF	WF	F
1-1/2	5/8	7/16-20	1/2-20	7/16-20	0.750	1.125	0.375	0.500	0.585	1.750	1.000	0.375
	1	3/4-16	7/8-14	3/4-16	1.125	1.400	0.500	0.813	0.960	2.500	1.375	0.375
2	5/8	7/16-20	1/2-20	7/16-20	0.750	1.125	0.375	0.500	0.585	1.750	1.000	0.375
	1	3/4-16	7/8-14	3/4-16	1.125	1.500	0.500	0.813	0.960	2.500	1.375	0.375
	1-3/8	1-14	1 1/4-12	1-14	1.625	2.000	0.625	1.125	1.313	3.250	1.625	0.375
2-1/2	5/8	7/16-20	1/2-20	7/16-20	0.750	1.125	0.375	0.500	0.585	1.750	1.000	0.375
	1	3/4-16	7/8-14	3/4-16	1.125	1.500	0.500	0.813	0.960	2.500	1.375	0.375
	1-3/8	1-14	1 1/4-12	1-14	1.625	2.000	0.625	1.125	1.313	3.250	1.625	0.375
	1-3/4	1 1/4-12	1 1/2-12	1 1/4-12	2.000	2.375	0.750	1.500	1.688	3.875	1.875	0.375
3-1/4	1	3/4-16	7/8-14	3/4-16	1.125	1.500	0.500	0.813	0.960	2.500	1.375	0.625
	1-3/8	1-14	1 1/4-12	1-14	1.625	2.000	0.625	1.125	1.313	3.250	1.625	0.625
	1-3/4	1 1/4-12	1 1/2-12	1 1/4-12	2.000	2.375	0.750	1.500	1.688	3.875	1.875	0.625
	2	1 1/2-12	1 3/4-12	1 1/2-12	2.250	2.625	0.875	1.750	1.940	4.250	2.000	0.625
4	1	3/4-16	7/8-14	3/4-16	1.125	1.500	0.500	0.813	0.960	2.500	1.375	0.625
	1-3/8	1-14	1 1/4-12	1-14	1.625	2.000	0.625	1.125	1.313	3.250	1.625	0.625
	1-3/4	1 1/4-12	1 1/2-12	1 1/4-12	2.000	2.375	0.750	1.500	1.688	3.875	1.875	0.625
	2	1 1/2-12	1 3/4-12	1 1/2-12	2.250	2.625	0.875	1.750	1.940	4.250	2.000	0.625
5	1	3/4-16	7/8-14	3/4-16	1.125	1.500	0.500	0.813	0.960	2.500	1.375	0.625
	1-3/8	1-14	1 1/4-12	1-14	1.625	2.000	0.625	1.125	1.313	3.250	1.625	0.625
	1-3/4	1 1/4-12	1 1/2-12	1 1/4-12	2.000	2.375	0.750	1.500	1.688	3.875	1.875	0.625
	2	1 1/2-12	1 3/4-12	1 1/2-12	2.250	2.625	0.875	1.750	1.940	4.250	2.000	0.625
6	1-3/8	1-14	1 1/4-12	1-14	1.625	2.000	0.625	1.125	1.313	3.250	1.625	0.750
	1-3/4	1 1/4-12	1 1/2-12	1 1/4-12	2.000	2.375	0.750	1.500	1.688	3.875	1.875	0.750
	2	1 1/2-12	1 3/4-12	1 1/2-12	2.250	2.625	0.875	1.750	1.940	4.250	2.000	0.750
	2-1/2	1 7/8-12	2 1/4-12	1 7/8-12	3.000	3.125	1.000	2.060	2.440	5.250	2.250	0.750

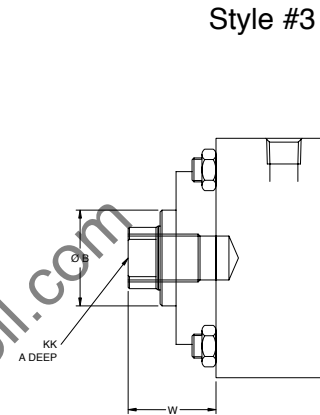
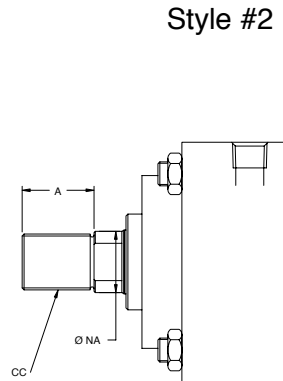
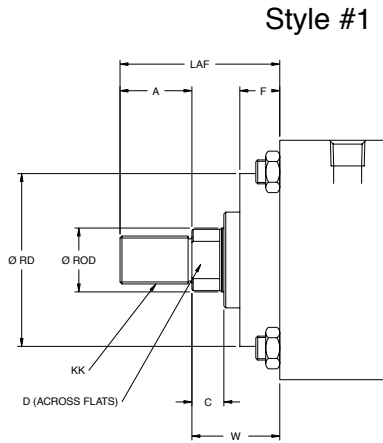


## ASP Series Steel Body NFPA

# NUMATICS®

### Large Bore

8" – 14" Bore: Standard and Optional Rod Ends



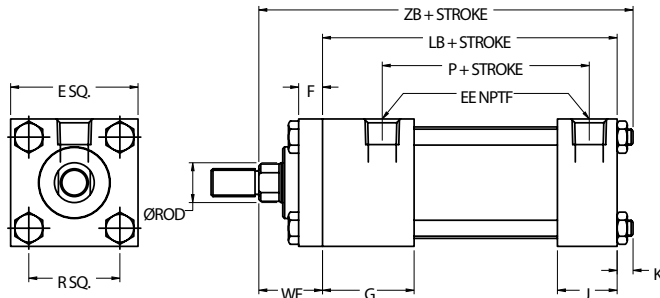
BORE	ROD	KK(1)	CC(2)	KK(3)	A	B	C	D	NA	LAF	W	F
8	1-3/8	1-14	1 1/4-12	1-14	1.625	2.000	0.625	1.125	1.313	3.250	1.625	0.750
	1-3/4	1 1/4-12	1 1/2-12	1 1/4-12	2.000	2.375	0.750	1.500	1.688	3.875	1.875	0.750
	2	1 1/2-12	1 3/4-12	1 1/2-12	2.250	2.625	0.875	1.750	1.940	4.250	2.000	0.750
	2-1/2	1 7/8-12	2 1/4-12	1 7/8-12	3.000	3.125	1.000	2.060	2.440	5.250	2.250	0.750
10	1-3/4	1 1/4-12	1 1/2-12	1 1/4-12	2.000	3.125	0.750	1.500	1.690	3.875	1.875	0.750
	2	1 1/2-12	1 3/4-12	1 1/2-12	2.250	3.125	0.875	1.750	1.940	4.250	2.000	0.750
	2-1/2	1 7/8-12	2 1/4-12	1 7/8-12	3.000	3.125	1.000	2.060	2.440	5.250	2.250	0.750
12	3	2 1/4-12	2 3/4-12	2 1/4-12	3.500	3.750	1.000	2.625	2.875	5.750	2.250	0.750
	2	1 1/2-12	1 3/4-12	1 1/2-12	2.250	3.125	0.875	1.750	1.940	4.250	2.000	0.750
	2-1/2	1 7/8-12	2 1/4-12	1 7/8-12	3.000	3.125	1.000	2.060	2.440	5.250	2.250	0.750
	3	2 1/4-12	2 3/4-12	2 1/4-12	3.500	3.750	1.000	2.625	2.875	5.750	2.250	0.750
14	3-1/2	2 1/2-12	3 1/4-12	2 1/2-12	3.500	4.250	1.000	3.000	3.438	5.750	2.250	0.750
	2-1/2	1 7/8-12	2 1/4-12	1 7/8-12	3.000	3.125	1.000	2.060	2.440	5.250	2.250	0.750
	3	2 1/4-12	2 3/4-12	2 1/4-12	3.500	3.750	1.000	2.625	2.875	5.750	2.250	0.750
	3-1/2	2 1/2-12	3 1/4-12	2 1/2-12	3.500	4.250	1.000	3.000	3.438	5.750	2.250	0.750



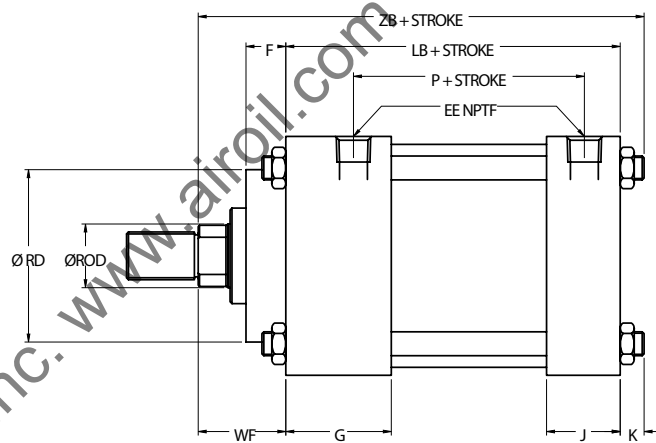


### Basic No Mount Cylinder

1-1/2" through 2-1/2" Bore



3-1/4" through 6" Bore



BORE	ROD	E	EE	F	G	J	K	LB	P	R	RD	WF	ZB
1-1/2	5/8	2.000	0.375	0.375	1.500	1.000	0.250	3.625	2.250	1.430	N/A	1.000	4.875
	1	2.000	0.250	0.375	1.500	1.000	0.250	3.625	2.103	1.430	N/A	1.375	5.250
2	5/8	2.500	0.375	0.375	1.500	1.000	0.313	3.625	2.250	1.840	N/A	1.000	4.938
	1	2.500	0.375	0.375	1.500	1.000	0.313	3.625	2.250	1.840	N/A	1.375	5.313
	1-3/8	2.500	0.375	0.375	1.500	1.000	0.313	3.625	2.250	1.840	N/A	1.625	5.563
2-1/2	5/8	3.000	0.375	0.375	1.500	1.000	0.313	3.750	2.375	2.190	N/A	1.000	5.062
	1	3.000	0.375	0.375	1.500	1.000	0.313	3.750	2.375	2.190	N/A	1.375	5.438
	1-3/8	3.000	0.375	0.375	1.500	1.000	0.313	3.750	2.375	2.190	N/A	1.625	5.688
	1-3/4	3.000	0.375	0.375	1.500	1.000	0.313	3.750	2.375	2.190	N/A	1.875	5.938
3-1/4	1	3.750	0.500	0.625	1.750	1.250	0.375	4.250	2.625	2.760	2.706	1.375	6.000
	1-3/8	3.750	0.500	0.625	1.750	1.250	0.375	4.250	2.625	2.760	3.110	1.625	6.250
	1-3/4	3.750	0.500	0.625	1.750	1.250	0.375	4.250	2.625	2.760	N/A	1.875	6.500
	2	3.750	0.500	0.625	1.750	1.250	0.375	4.250	2.625	2.760	N/A	2.000	6.625
4	1	4.500	0.500	0.625	1.750	1.250	0.375	4.250	2.625	3.320	2.706	1.375	6.000
	1-3/8	4.500	0.500	0.625	1.750	1.250	0.375	4.250	2.625	3.320	3.110	1.625	6.250
	1-3/4	4.500	0.500	0.625	1.750	1.250	0.375	4.250	2.625	3.320	3.788	1.875	6.500
	2	4.500	0.500	0.625	1.750	1.250	0.375	4.250	2.625	3.320	N/A	2.000	6.625
5	1	5.500	0.500	0.625	1.750	1.250	0.500	4.500	2.875	4.100	2.706	1.375	6.375
	1-3/8	5.500	0.500	0.625	1.750	1.250	0.500	4.500	2.875	4.100	3.110	1.625	6.625
	1-3/4	5.500	0.500	0.625	1.750	1.250	0.500	4.500	2.875	4.100	3.788	1.875	6.875
	2	5.500	0.500	0.625	1.750	1.250	0.500	4.500	2.875	4.100	4.250	2.000	7.000
6	1-3/8	6.500	0.750	0.750	2.000	1.500	0.500	5.000	3.125	4.880	3.110	1.625	7.125
	1-3/4	6.500	0.750	0.750	2.000	1.500	0.500	5.000	3.125	4.880	3.788	1.875	7.375
	2	6.500	0.750	0.750	2.000	1.500	0.500	5.000	3.125	4.880	4.250	2.000	7.500
	2-1/2	6.500	0.750	0.750	2.000	1.500	0.500	5.000	3.125	4.880	5.500	2.500	8.000



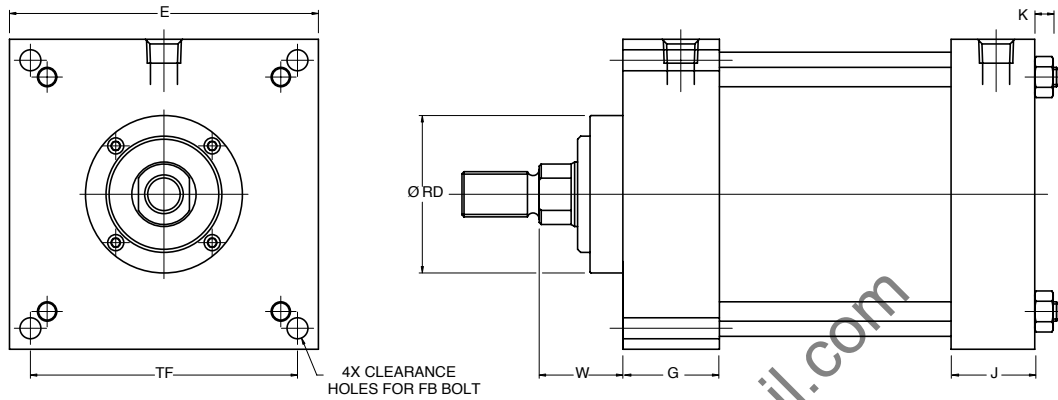
**ASP Series  
Steel Body NFPA**

**NUMATICS®**

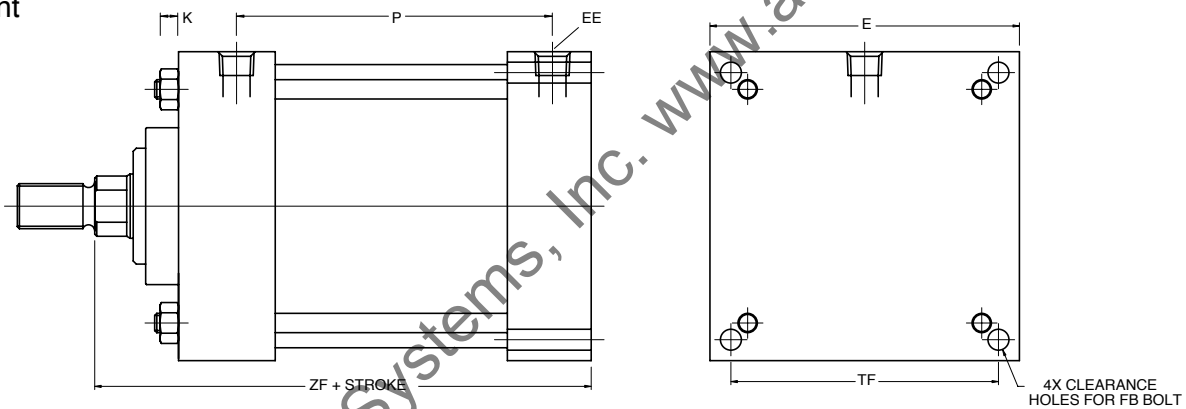
**Large Bore  
E3 and E4 Mount**

8" through 14" Bore

**E3 Mount**



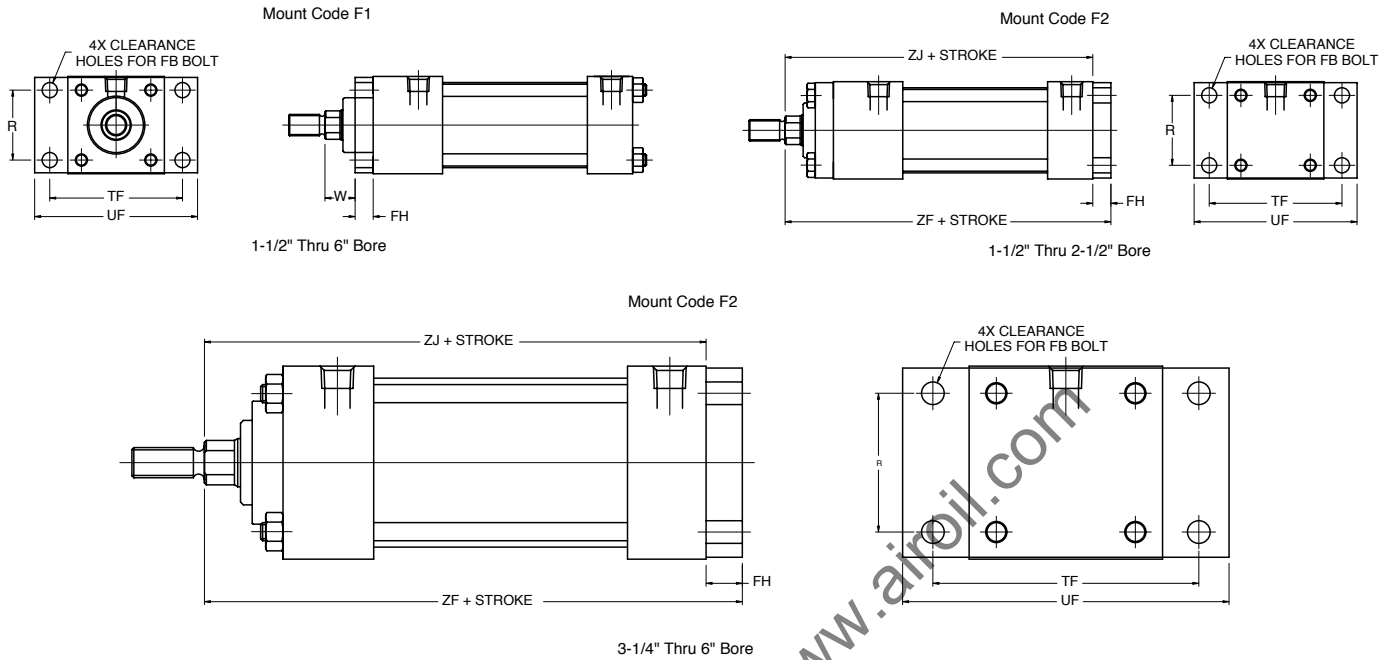
**E4 Mount**



BORE	ROD	E	EE	F	FB	G	J	K	LB	P	RD	TF	W	ZF
8	1-3/8	8.500	0.750	0.625	0.625	2.000	1.500	0.625	5.125	3.250	3.110	7.580	1.625	6.750
	1-3/4	8.500	0.750	0.750	0.625	2.000	1.500	0.625	5.125	3.250	3.788	7.580	1.875	7.000
	2	8.500	0.750	0.750	0.625	2.000	1.500	0.625	5.125	3.250	4.250	7.580	2.000	7.125
	2-1/2	8.500	0.750	0.750	0.625	2.000	1.500	0.625	5.125	3.250	5.500	7.580	2.250	7.375
10	1-3/4	10.625	1.000	0.750	0.750	2.250	2.000	0.750	6.375	4.125	3.788	9.400	1.875	8.250
	2	10.625	1.000	0.750	0.750	2.250	2.000	0.750	6.375	4.125	4.250	9.400	2.000	8.375
	2-1/2	10.625	1.000	0.750	0.750	2.250	2.000	0.750	6.375	4.125	5.500	9.400	2.250	8.625
12	3	10.625	1.000	0.750	0.750	2.250	2.000	0.750	6.375	4.125	7.500	9.400	2.250	8.625
	2	12.750	1.000	0.750	0.750	2.250	2.000	0.750	6.875	4.625	4.250	11.100	2.000	8.875
	2-1/2	12.750	1.000	0.750	0.750	2.250	2.000	0.750	6.875	4.625	5.500	11.100	2.250	9.125
	3	12.750	1.000	0.750	0.750	2.250	2.000	0.750	6.875	4.625	7.500	11.100	2.250	9.125
14	3-1/2	12.750	1.000	0.750	0.750	2.250	2.000	0.750	6.875	4.625	7.500	11.100	2.250	9.125
	2-1/2	14.750	1.250	0.750	0.875	2.750	2.250	0.875	8.125	5.500	5.500	12.870	2.250	10.375
	3	14.750	1.250	0.750	0.875	2.750	2.250	0.875	8.125	5.500	7.500	12.870	2.250	10.375
	3-1/2	14.750	1.250	0.750	0.875	2.750	2.250	0.875	8.125	5.500	7.500	12.870	2.250	10.375



### F1 and F2 Mounts



BORE	ROD	FB	FH	R	TF	UF	W	ZJ	ZF
1-1/2	5/8	0.250	0.380	1.430	2.750	3.380	0.630	4.630	5.000
	1	0.250	0.380	1.430	2.750	3.380	1.000	5.000	5.380
2	5/8	0.310	0.380	1.840	3.380	4.130	0.630	4.630	5.000
	1	0.310	0.380	1.840	3.380	4.130	1.000	5.000	5.380
	1-3/8	0.310	0.380	1.840	3.380	4.130	1.250	5.250	5.630
2-1/2	5/8	0.310	0.380	2.190	3.880	4.630	0.630	4.750	5.130
	1	0.310	0.380	2.190	3.880	4.630	1.000	5.130	5.500
	1-3/8	0.310	0.380	2.190	3.880	4.630	1.250	5.380	5.750
3-1/4	1-3/4	0.310	0.380	2.190	3.880	4.630	1.500	5.630	6.000
	1	0.380	0.630	2.760	4.690	5.500	0.750	5.630	6.250
	1-3/8	0.380	0.630	2.760	4.690	5.500	1.000	5.880	6.500
	1-3/4	0.380	0.630	2.760	4.690	5.500	1.250	6.130	6.750
4	2	0.380	0.630	2.760	4.690	5.500	1.380	6.250	6.880
	1	0.380	0.630	3.320	5.440	6.250	0.750	5.630	6.250
	1-3/8	0.380	0.630	3.320	5.440	6.250	1.000	5.880	6.500
	1-3/4	0.380	0.630	3.320	5.440	6.250	1.250	6.130	6.750
5	2	0.380	0.630	3.320	5.440	6.250	1.380	6.250	6.880
	1	0.500	0.630	4.100	6.630	7.630	0.750	5.880	6.500
	1-3/8	0.500	0.630	4.100	6.630	7.630	1.000	6.130	6.750
	1-3/4	0.500	0.630	4.100	6.630	7.630	1.250	6.380	7.000
6	2	0.500	0.630	4.100	6.630	7.630	1.380	6.500	7.130
	1-3/8	0.500	0.750	4.880	7.630	8.630	0.880	6.630	7.380
	1-3/4	0.500	0.750	4.880	7.630	8.630	1.130	6.880	7.630
	2	0.500	0.750	4.880	7.630	8.630	1.250	7.000	7.750
	2-1/2	0.500	0.750	4.880	7.630	8.630	1.500	7.250	8.000

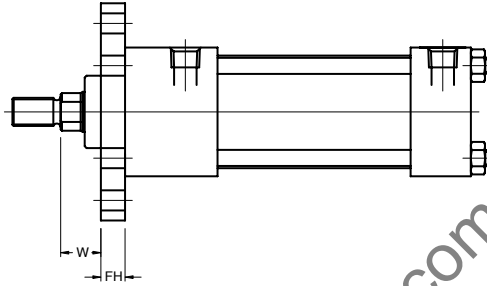
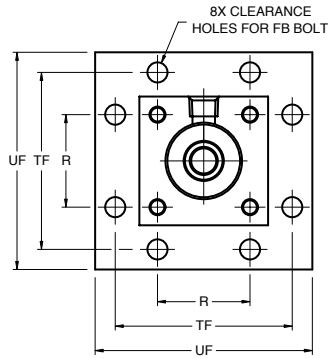


**ASP Series  
Steel Body NFPA**

**NUMATICS®**

**F5 Mount**

Mount Code F5



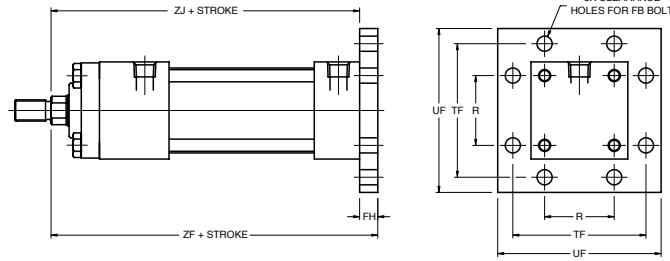
1-1/2" Thru 6" Bore

BORE	ROD	FB	FH	R	TF	UF	W
1-1/2	5/8	0.25	0.38	1.43	2.75	3.38	0.63
	1	0.25	0.38	1.43	2.75	3.38	1.00
2	5/8	0.31	0.38	1.84	3.38	4.13	0.63
	1	0.31	0.38	1.84	3.38	4.13	1.00
	1-3/8	0.31	0.38	1.84	3.38	4.13	1.25
2-1/2	5/8	0.31	0.38	2.19	3.88	4.63	0.63
	1	0.31	0.38	2.19	3.88	4.63	1.00
	1-3/8	0.31	0.38	2.19	3.88	4.63	1.25
	1-3/4	0.31	0.38	2.19	3.88	4.63	1.50
3-1/4	1	0.38	0.63	2.76	4.69	5.50	0.75
	1-3/8	0.38	0.63	2.76	4.69	5.50	1.00
	1-3/4	0.38	0.63	2.76	4.69	5.50	1.25
	2	0.38	0.63	2.76	4.69	5.50	1.38
4	1	0.38	0.63	3.32	5.44	6.25	0.75
	1-3/8	0.38	0.63	3.32	5.44	6.25	1.00
	1-3/4	0.38	0.63	3.32	5.44	6.25	1.25
	2	0.38	0.63	3.32	5.44	6.25	1.38
5	1	0.50	0.63	4.10	6.63	7.63	0.75
	1-3/8	0.50	0.63	4.10	6.63	7.63	1.00
	1-3/4	0.50	0.63	4.10	6.63	7.63	1.25
	2	0.50	0.63	4.10	6.63	7.63	1.38
6	1-3/8	0.50	0.75	4.88	7.63	8.63	0.88
	1-3/4	0.50	0.75	4.88	7.63	8.63	1.13
	2	0.50	0.75	4.88	7.63	8.63	1.25
	2-1/2	0.50	0.75	4.88	7.63	8.63	1.50



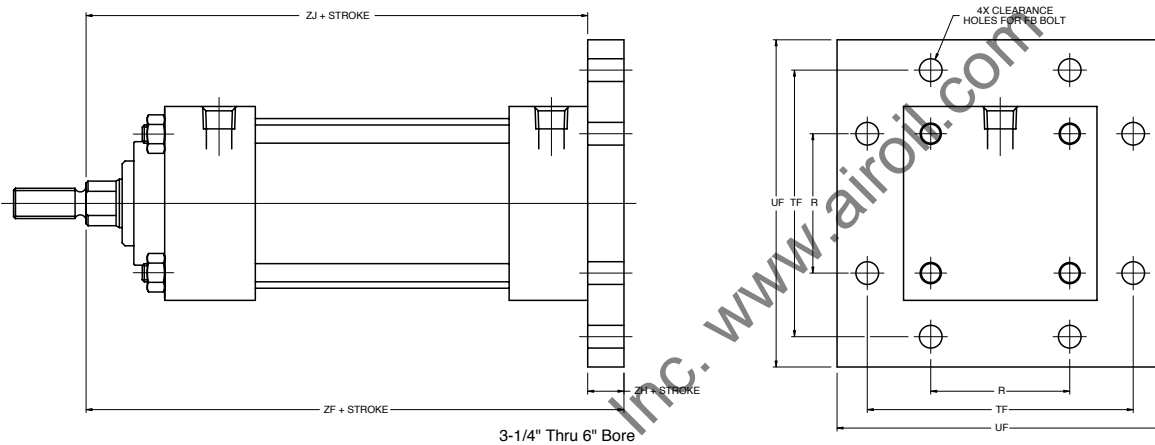
### F6 Mount

Mount Code F6



1-1/2" Thru 2-1/2" Bore

Mount Code F6



3-1/4" Thru 6" Bore

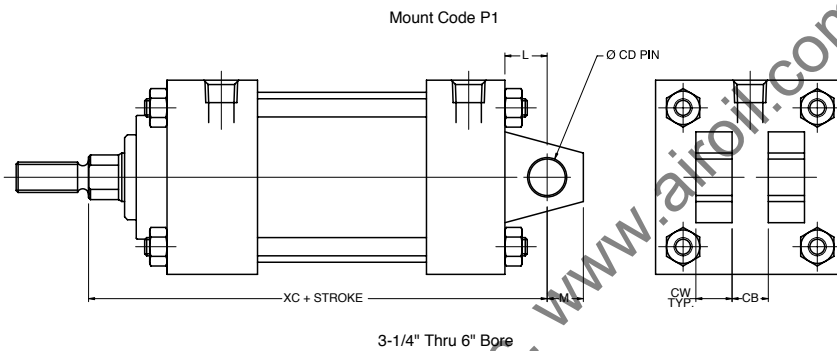
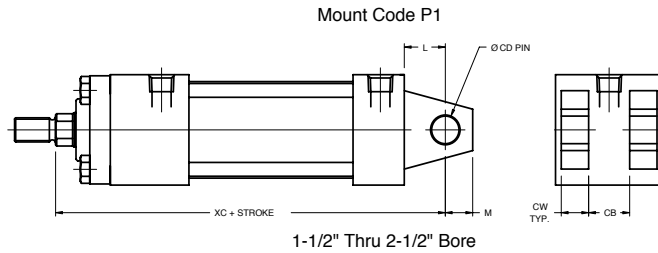
BORE	ROD	FB	FH	R	TF	UF	ZJ	ZF
1-1/2	5/8	0.25	0.38	1.43	2.75	3.38	4.63	5.00
	1	0.25	0.38	1.43	2.75	3.38	5.00	5.38
2	5/8	0.31	0.38	1.84	3.38	4.13	4.63	5.00
	1	0.31	0.38	1.84	3.38	4.13	5.00	5.38
	1-3/8	0.31	0.38	1.84	3.38	4.13	5.25	5.63
2-1/2	5/8	0.31	0.38	2.19	3.88	4.63	4.75	5.13
	1	0.31	0.38	2.19	3.88	4.63	5.13	5.50
	1-3/8	0.31	0.38	2.19	3.88	4.63	5.38	5.75
	1-3/4	0.31	0.38	2.19	3.88	4.63	5.63	6.00
3-1/4	1	0.38	0.63	2.76	4.69	5.50	5.63	6.25
	1-3/8	0.38	0.63	2.76	4.69	5.50	5.88	6.50
	1-3/4	0.38	0.63	2.76	4.69	5.50	6.13	6.75
	2	0.38	0.63	2.76	4.69	5.50	6.25	6.88
4	1	0.38	0.63	3.32	5.44	6.25	5.63	6.25
	1-3/8	0.38	0.63	3.32	5.44	6.25	5.88	6.50
	1-3/4	0.38	0.63	3.32	5.44	6.25	6.13	6.75
5	2	0.38	0.63	3.32	5.44	6.25	6.25	6.88
	1	0.50	0.63	4.10	6.63	7.63	5.88	6.50
	1-3/8	0.50	0.63	4.10	6.63	7.63	6.13	6.75
	1-3/4	0.50	0.63	4.10	6.63	7.63	6.38	7.00
6	2	0.50	0.63	4.10	6.63	7.63	6.50	7.13
	1-3/8	0.50	0.75	4.88	7.63	8.63	6.63	7.38
	1-3/4	0.50	0.75	4.88	7.63	8.63	6.88	7.63
	2	0.50	0.75	4.88	7.63	8.63	7.00	7.75
	2-1/2	0.50	0.75	4.88	7.63	8.63	7.25	8.00



## ASP Series Steel Body NFPA

# NUMATICS®

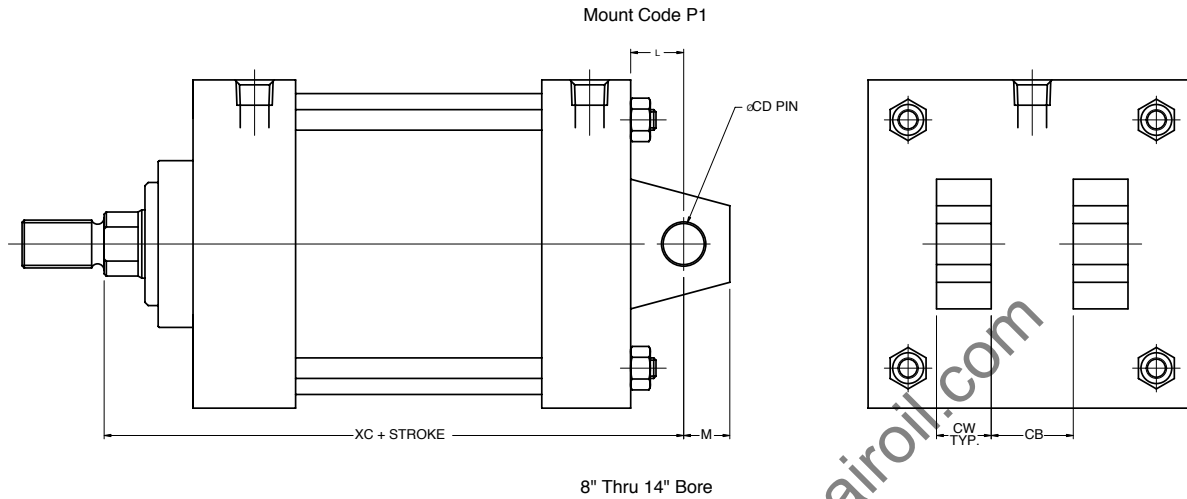
### P1 Mounts



BORE	ROD	CB	CD	CW	L	M	XC
1-1/2	5/8	0.75	0.500	0.50	0.75	0.50	5.38
	1	0.75	0.500	0.50	0.75	0.50	5.75
2	5/8	0.75	0.500	0.50	0.75	0.50	5.38
	1	0.75	0.500	0.50	0.75	0.50	5.75
	1-3/8	0.75	0.500	0.50	0.75	0.50	6.00
2-1/2	5/8	0.75	0.500	0.50	0.75	0.50	5.50
	1	0.75	0.500	0.50	0.75	0.50	5.88
	1-3/8	0.75	0.500	0.50	0.75	0.50	6.13
	1-3/4	0.75	0.500	0.50	0.75	0.50	6.38
3-1/4	1	1.25	0.750	0.63	1.25	0.75	6.88
	1-3/8	1.25	0.750	0.63	1.25	0.75	7.13
	1-3/4	1.25	0.750	0.63	1.25	0.75	7.38
	2	1.25	0.750	0.63	1.25	0.75	7.50
4	1	1.25	0.750	0.63	1.25	0.75	6.88
	1-3/8	1.25	0.750	0.63	1.25	0.75	7.13
	1-3/4	1.25	0.750	0.63	1.25	0.75	7.38
5	2	1.25	0.750	0.63	1.25	0.75	7.50
	1	1.25	0.750	0.63	1.25	0.75	7.13
	1-3/8	1.25	0.750	0.63	1.25	0.75	7.38
	1-3/4	1.25	0.750	0.63	1.25	0.75	7.63
6	2	1.50	1.000	0.75	1.50	1.00	8.13
	1-3/8	1.50	1.000	0.75	1.50	1.00	8.38
	1-3/4	1.50	1.000	0.75	1.50	1.00	8.50
	2-1/2	1.50	1.000	0.75	1.50	1.00	8.75



### P1 Mounts continued



BORE	ROD	CB	CD	CW	L	M	XC
8	1-3/8	1.50	1.000	0.75	1.50	1.00	8.25
	1-3/4	1.50	1.000	0.75	1.50	1.00	8.50
	2	1.50	1.000	0.75	1.50	1.00	8.63
	2-1/2	1.50	1.000	0.75	1.50	1.00	8.88
10	1-3/4	2.00	1.375	1.00	2.13	1.38	10.38
	2	2.00	1.375	1.00	2.13	1.38	10.50
	2-1/2	2.00	1.375	1.00	2.13	1.38	10.75
	3	2.00	1.375	1.00	2.13	1.38	10.75
12	2	2.50	1.750	1.25	2.25	1.75	11.13
	2-1/2	2.50	1.750	1.25	2.25	1.75	11.38
	3	2.50	1.750	1.25	2.25	1.75	11.38
	3-1/2	2.50	1.750	1.25	2.25	1.75	11.38
14	2-1/2	2.50	2.000	1.25	2.50	2.00	12.88
	3	2.50	2.000	1.25	2.50	2.00	12.88
	3-1/2	2.50	2.000	1.25	2.50	2.00	12.88



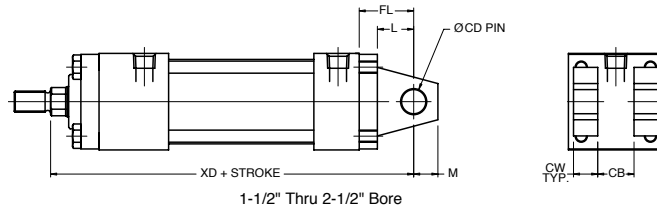


## ASP Series Steel Body NFPA

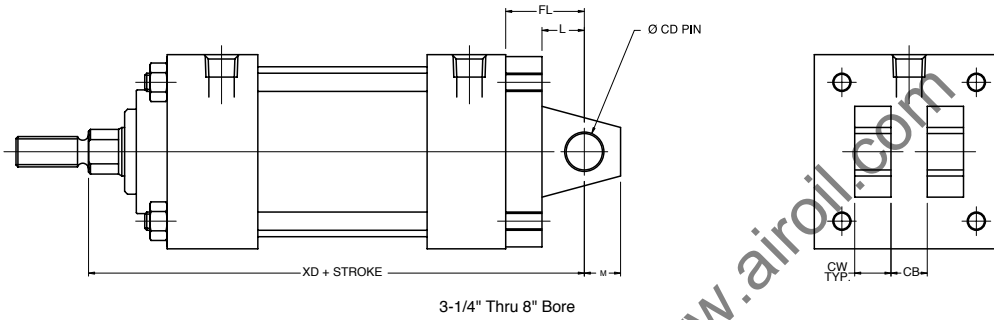
# NUMATICS®

### P2 Mounts

Mount Code P2



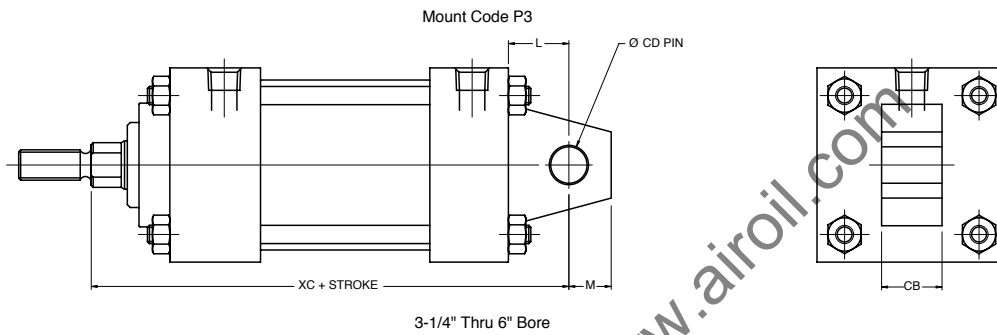
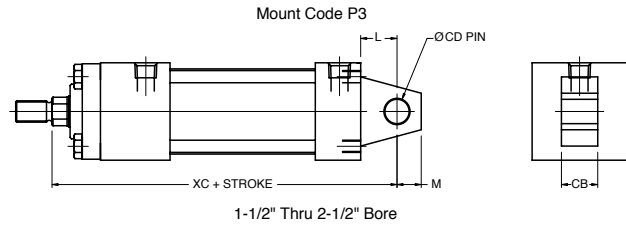
Mount Code P2



BORE	ROD	CB	CD	CW	FL	L	M	XD
1-1/2	5/8	0.75	0.500	0.50	1.13	0.75	0.50	5.75
	1	0.75	0.500	0.50	1.13	0.75	0.50	6.13
2	5/8	0.75	0.500	0.50	1.13	0.75	0.50	5.75
	1	0.75	0.500	0.50	1.13	0.75	0.50	6.13
	1-3/8	0.75	0.500	0.50	1.13	0.75	0.50	6.38
2-1/2	5/8	0.75	0.500	0.50	1.13	0.75	0.50	5.88
	1	0.75	0.500	0.50	1.13	0.75	0.50	6.25
	1-3/8	0.75	0.500	0.50	1.13	0.75	0.50	6.50
3-1/4	1-3/4	0.75	0.500	0.50	1.13	0.75	0.50	6.75
	1	1.25	0.750	0.63	1.88	1.25	0.75	7.50
	1-3/8	1.25	0.750	0.63	1.88	1.25	0.75	7.75
4	1-3/4	1.25	0.750	0.63	1.88	1.25	0.75	8.00
	2	1.25	0.750	0.63	1.88	1.25	0.75	8.13
	1	1.25	0.750	0.63	1.88	1.25	0.75	7.50
5	1-3/8	1.25	0.750	0.63	1.88	1.25	0.75	7.75
	1-3/4	1.25	0.750	0.63	1.88	1.25	0.75	8.00
	2	1.25	0.750	0.63	1.88	1.25	0.75	8.38
6	1-3/8	1.50	1.000	0.75	2.25	1.50	1.00	8.88
	1-3/4	1.50	1.000	0.75	2.25	1.50	1.00	9.13
	2	1.50	1.000	0.75	2.25	1.50	1.00	9.25
8	2-1/2	1.50	1.000	0.75	2.25	1.50	1.00	9.50
	1-3/8	1.50	1.000	0.75	2.25	1.50	1.00	9.00
	1-3/4	1.50	1.000	0.75	2.25	1.50	1.00	9.25
	2	1.50	1.000	0.75	2.25	1.50	1.00	9.38
	2-1/2	1.50	1.000	0.75	2.25	1.50	1.00	9.63



### P3 Mounts



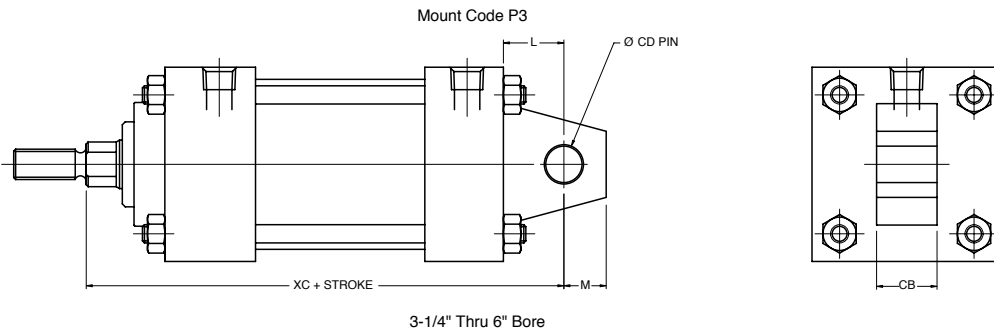
BORE	ROD	CB	CD	L	M	XC
1-1/2	5/8	0.75	0.50	0.75	0.50	5.38
	1	0.75	0.50	0.75	0.50	5.75
2	5/8	0.75	0.50	0.75	0.50	5.38
	1	0.75	0.50	0.75	0.50	5.75
	1-3/8	0.75	0.50	0.75	0.50	6.00
2-1/2	5/8	0.75	0.50	0.75	0.50	5.50
	1	0.75	0.50	0.75	0.50	5.88
	1-3/8	0.75	0.50	0.75	0.50	6.13
2-1/2	1-3/4	0.75	0.50	0.75	0.50	6.38
	1	1.25	0.75	1.25	0.75	6.88
	1-3/8	1.25	0.75	1.25	0.75	7.13
3-1/4	1-3/4	1.25	0.75	1.25	0.75	7.38
	2	1.25	0.75	1.25	0.75	7.50
	1	1.25	0.75	1.25	0.75	6.88
4	1-3/8	1.25	0.75	1.25	0.75	7.13
	1-3/4	1.25	0.75	1.25	0.75	7.38
	2	1.25	0.75	1.25	0.75	7.50
5	1	1.25	0.75	1.25	0.75	7.13
	1-3/8	1.25	0.75	1.25	0.75	7.38
	1-3/4	1.25	0.75	1.25	0.75	7.63
	2	1.25	0.75	1.25	0.75	7.75
6	1-3/8	1.50	1.00	1.50	1.00	8.13
	1-3/4	1.50	1.00	1.50	1.00	8.38
	2	1.50	1.00	1.50	1.00	8.50
	2-1/2	1.50	1.00	1.50	1.00	8.75



**ASP Series  
Steel Body NFPA**

**NUMATICS®**

**P3 Mounts continued**

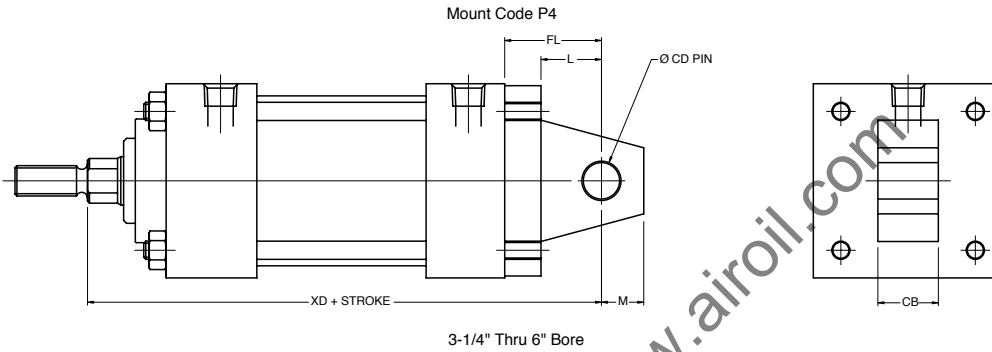
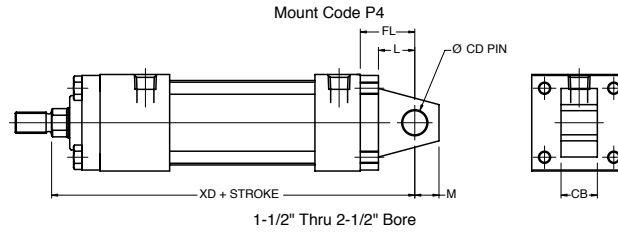


BORE	ROD	CB	CD	L	M	XC
8	1-3/8	1.50	1.00	1.50	1.00	8.25
	1-3/4	1.50	1.00	1.50	1.00	8.50
	2	1.50	1.00	1.50	1.00	8.63
	2-1/2	1.50	1.00	1.50	1.00	8.88
10	1-3/4	2.00	1.38	2.13	1.38	10.38
	2	2.00	1.38	2.13	1.38	10.50
	2-1/2	2.00	1.38	2.13	1.38	10.75
	3	2.00	1.38	2.13	1.38	10.75
12	2	2.50	1.75	2.25	1.75	11.13
	2-1/2	2.50	1.75	2.25	1.75	11.38
	3	2.50	1.75	2.25	1.75	11.38
	3-1/2	2.50	1.75	2.25	1.75	11.38
14	2-1/2	2.50	2.00	2.50	2.00	12.88
	3	2.50	2.00	2.50	2.00	12.88
	3-1/2	2.50	2.00	2.50	2.00	12.88

Air-Oil Systems, Inc. www.airoil.com



### P4 Mounts

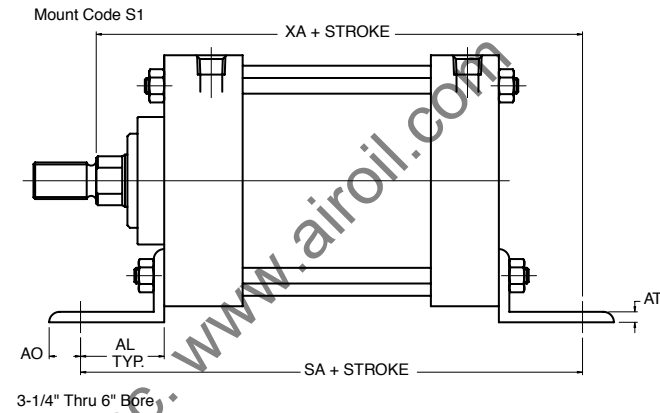
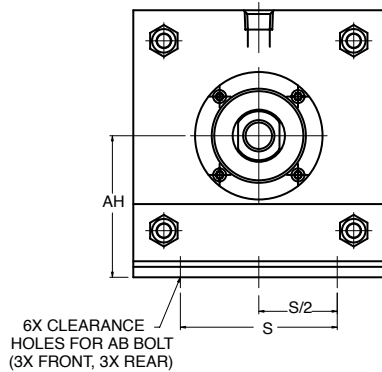
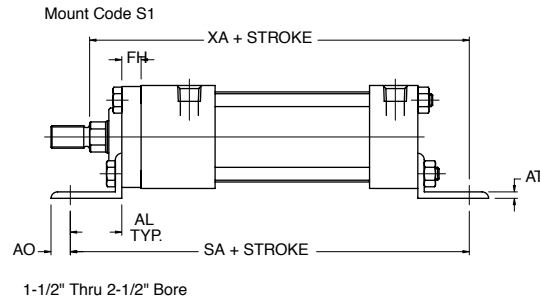
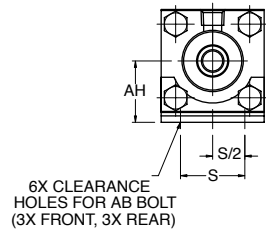


BORE	ROD	CB	CD	FL	L	M	XD
1-1/2	5/8	0.75	0.50	1.13	0.75	0.50	5.75
	1	0.75	0.50	1.13	0.75	0.50	6.13
2	5/8	0.75	0.50	1.13	0.75	0.50	5.75
	1	0.75	0.50	1.13	0.75	0.50	6.13
	1-3/8	0.75	0.50	1.13	0.75	0.50	6.38
2-1/2	5/8	0.75	0.50	1.13	0.75	0.50	5.88
	1	0.75	0.50	1.13	0.75	0.50	6.25
	1-3/8	0.75	0.50	1.13	0.75	0.50	6.50
	1-3/4	0.75	0.50	1.13	0.75	0.50	6.75
3-1/4	1	1.25	0.75	1.88	1.25	0.75	7.50
	1-3/8	1.25	0.75	1.88	1.25	0.75	7.75
	1-3/4	1.25	0.75	1.88	1.25	0.75	8.00
	2	1.25	0.75	1.88	1.25	0.75	8.13
4	1	1.25	0.75	1.88	1.25	0.75	7.50
	1-3/8	1.25	0.75	1.88	1.25	0.75	7.75
	1-3/4	1.25	0.75	1.88	1.25	0.75	8.00
5	2	1.25	0.75	1.88	1.25	0.75	8.13
	1	1.25	0.75	1.88	1.25	0.75	7.75
	1-3/8	1.25	0.75	1.88	1.25	0.75	8.00
	1-3/4	1.25	0.75	1.88	1.25	0.75	8.50
6	2	1.25	0.75	1.88	1.25	0.75	8.38
	1-3/8	1.50	1.00	2.25	1.50	1.00	8.88
	1-3/4	1.50	1.00	2.25	1.50	1.00	9.13
	2	1.50	1.00	2.25	1.50	1.00	9.25
8	2-1/2	1.50	1.00	2.25	1.50	1.00	9.50
	1-3/8	1.50	1.00	2.25	1.50	1.00	9.00
	1-3/4	1.50	1.00	2.25	1.50	1.00	9.25
	2	1.50	1.00	2.25	1.50	1.00	9.38
	2-1/2	1.50	1.00	2.25	1.50	1.00	9.63



## ASP Series Steel Body NFPA

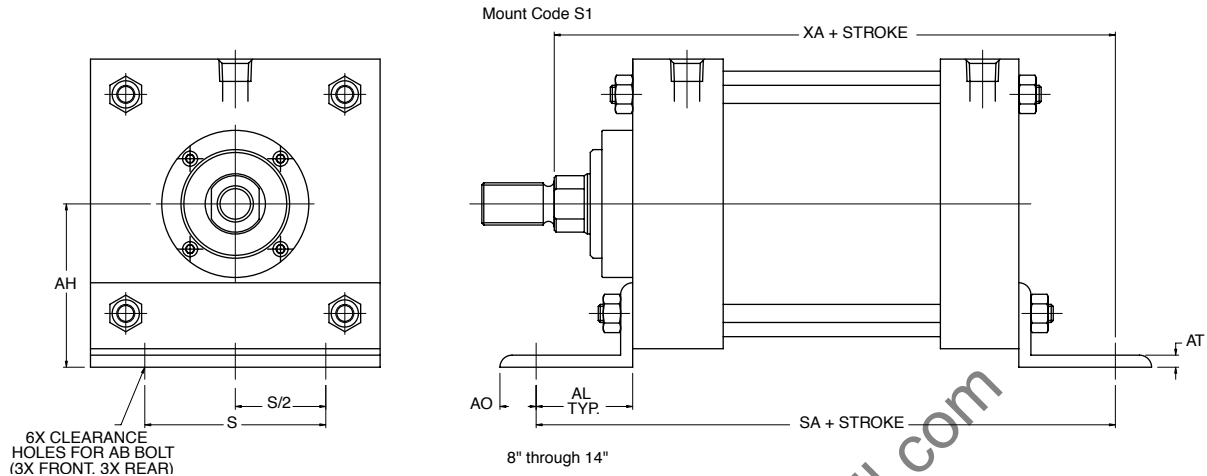
### S1 Mounts



BORE	ROD	AB	AH	AL	AO	AT	FH	S	SA	XA
1-1/2	5/8	0.38	1.19	1.00	0.38	0.13	0.38	1.25	6.00	5.63
	1	0.38	1.19	1.00	0.38	0.13	0.38	1.25	6.00	6.00
2	5/8	0.38	1.44	1.00	0.38	0.13	0.38	1.75	6.00	5.63
	1	0.38	1.44	1.00	0.38	0.13	0.38	1.75	6.00	6.00
	1-3/8	0.38	1.44	1.00	0.38	0.13	0.38	1.75	6.00	6.25
2-1/2	5/8	0.38	1.63	1.00	0.38	0.13	0.38	2.25	6.13	5.75
	1	0.38	1.63	1.00	0.38	0.13	0.38	2.25	6.13	6.13
	1-3/8	0.38	1.63	1.00	0.38	0.13	0.38	2.25	6.13	6.38
	1-3/4	0.38	1.63	1.00	0.38	0.13	0.38	2.25	6.13	6.63
3-1/4	1	0.50	1.94	1.25	0.50	0.13	0.63	2.75	7.38	6.88
	1-3/8	0.50	1.94	1.25	0.50	0.13	0.63	2.75	7.38	7.13
	1-3/4	0.50	1.94	1.25	0.50	0.13	0.63	2.75	7.38	7.38
	2	0.50	1.94	1.25	0.50	0.13	0.63	2.75	7.38	7.50
4	1	0.50	2.25	1.25	0.50	0.13	0.63	3.50	7.38	6.88
	1-3/8	0.50	2.25	1.25	0.50	0.13	0.63	3.50	7.38	7.13
	1-3/4	0.50	2.25	1.25	0.50	0.13	0.63	3.50	7.38	7.38
5	2	0.50	2.25	1.25	0.50	0.13	0.63	3.50	7.38	7.50
	1	0.63	2.75	1.38	0.63	0.19	0.63	4.25	7.88	7.25
	1-3/8	0.63	2.75	1.38	0.63	0.19	0.63	4.25	7.88	7.50
	1-3/4	0.63	2.75	1.38	0.63	0.19	0.63	4.25	7.88	7.75
6	2	0.63	2.75	1.38	0.63	0.19	0.63	4.25	7.88	7.88
	1-3/8	0.75	3.25	1.38	0.63	0.19	0.75	5.25	8.50	8.00
	1-3/4	0.75	3.25	1.38	0.63	0.19	0.75	5.25	8.50	8.25
	2	0.75	3.25	1.38	0.63	0.19	0.75	5.25	8.50	8.38
	2-1/2	0.75	3.25	1.38	0.63	0.19	0.75	5.25	8.50	8.63



### S1 Mounts continued



BORE	ROD	AB	AH	AL	AO	AT	S	SA	XA
8	1-3/8	0.75	4.25	1.81	0.69	0.25	7.13	8.75	8.56
	1-3/4	0.75	4.25	1.81	0.69	0.25	7.13	8.75	8.81
	2	0.75	4.25	1.81	0.69	0.25	7.13	8.75	8.94
	2-1/2	0.75	4.25	1.81	0.69	0.25	7.13	8.75	9.91
10	1-3/4	1.00	5.31	2.13	0.88	0.25	8.88	10.63	10.38
	2	1.00	5.31	2.13	0.88	0.25	8.88	10.63	10.50
	2-1/2	1.00	5.31	2.13	0.88	0.25	8.88	10.63	10.75
	3	1.00	5.31	2.13	0.88	0.25	8.88	10.63	10.75
12	2	1.00	6.38	2.13	0.88	0.38	11.00	11.13	11.00
	2-1/2	1.00	6.38	2.13	0.88	0.38	11.00	11.13	11.25
	3	1.00	6.38	2.13	0.88	0.38	11.00	11.13	11.25
	3-1/2	1.00	6.38	2.13	0.88	0.38	11.00	11.13	11.25
14	2-1/2	1.25	7.38	2.44	1.06	0.38	12.63	13.00	12.81
	3	1.25	7.38	2.44	1.06	0.38	12.63	13.00	12.81
	3-1/2	1.25	7.38	2.44	1.06	0.38	12.63	13.00	12.81

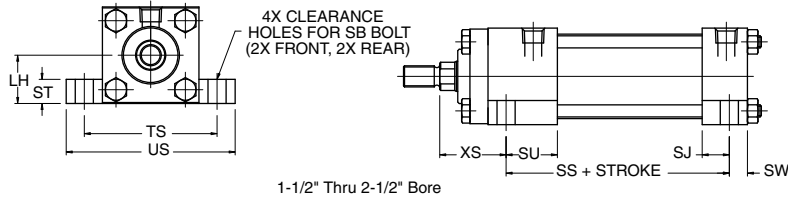


## ASP Series Steel Body NFPA

# NUMATICS®

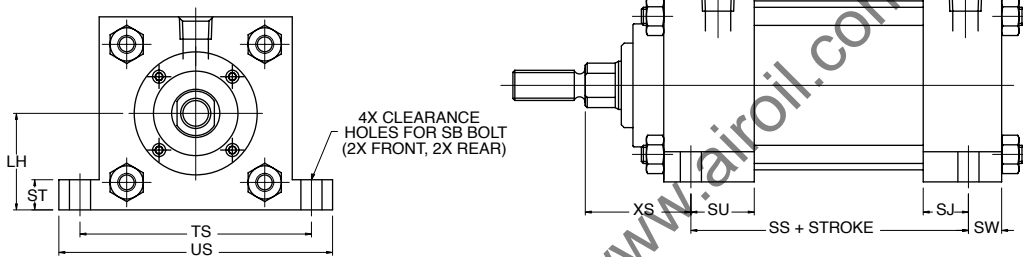
### S2 Mounts

Mount Code S2



1-1/2" Thru 2-1/2" Bore

Mount Code S2



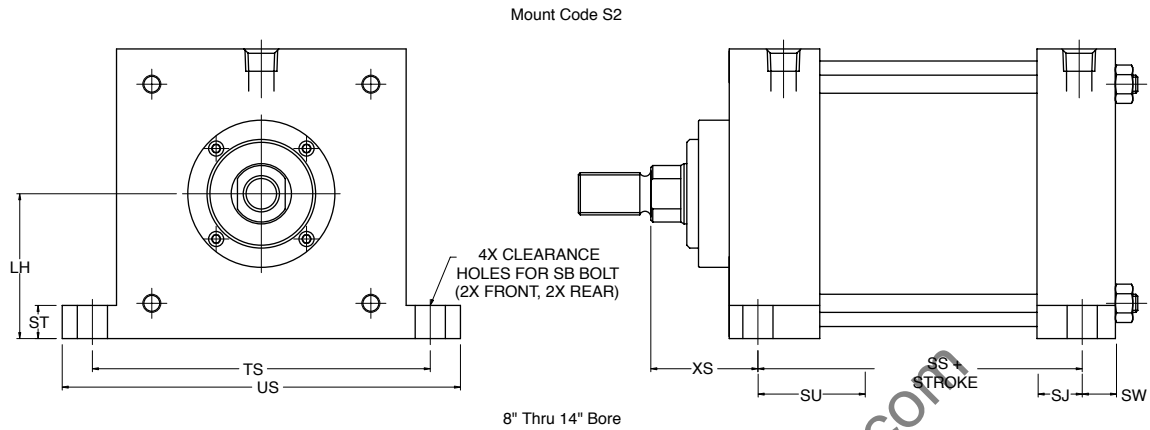
3-1/4" Thru 6" Bore

BORE	ROD	LH	SB	SJ	SS	ST	SU	SW	TS	US	XS
1-1/2	5/8	1.00	0.38	0.63	2.88	0.50	1.13	0.38	2.75	3.50	1.38
	1	1.00	0.38	0.63	2.88	0.50	1.13	0.38	2.75	3.50	1.75
2	5/8	1.25	0.38	0.63	2.88	0.50	1.13	0.38	3.25	4.00	1.38
	1	1.25	0.38	0.63	2.88	0.50	1.13	0.38	3.25	4.00	1.75
	1-3/8	1.25	0.38	0.63	2.88	0.50	1.13	0.38	3.25	4.00	2.00
2-1/2	5/8	1.50	0.38	0.63	3.00	0.50	1.13	0.38	3.75	4.50	1.38
	1	1.50	0.38	0.63	3.00	0.50	1.13	0.38	3.75	4.50	1.75
	1-3/8	1.50	0.38	0.63	3.00	0.50	1.13	0.38	3.75	4.50	2.00
	1-3/4	1.50	0.38	0.63	3.00	0.50	1.13	0.38	3.75	4.50	2.25
3-1/4	1	1.88	0.50	0.75	3.25	0.75	1.25	0.50	4.75	5.75	1.88
	1-3/8	1.88	0.50	0.75	3.25	0.75	1.25	0.50	4.75	5.75	2.13
	1-3/4	1.88	0.50	0.75	3.25	0.75	1.25	0.50	4.75	5.75	2.38
	2	1.88	0.50	0.75	3.25	0.75	1.25	0.50	4.75	5.75	2.50
4	1	2.25	0.50	0.75	3.25	0.75	1.25	0.50	5.50	6.50	1.88
	1-3/8	2.25	0.50	0.75	3.25	0.75	1.25	0.50	5.50	6.50	2.13
	1-3/4	2.25	0.50	0.75	3.25	0.75	1.25	0.50	5.50	6.50	2.38
5	2	2.25	0.50	0.75	3.25	0.75	1.25	0.50	5.50	6.50	2.50
	1	2.75	0.75	0.56	3.13	1.00	1.06	0.69	6.88	8.25	2.06
	1-3/8	2.75	0.75	0.56	3.13	1.00	1.06	0.69	6.88	8.25	2.31
	1-3/4	2.75	0.75	0.56	3.13	1.00	1.06	0.69	6.88	8.25	2.56
6	2	2.75	0.75	0.56	3.13	1.00	1.06	0.69	6.88	8.25	2.69
	1-3/8	3.25	0.75	0.81	3.63	1.00	1.31	0.69	7.88	9.25	2.31
	1-3/4	3.25	0.75	0.81	3.63	1.00	1.31	0.69	7.88	9.25	2.56
	2	3.25	0.75	0.81	3.63	1.00	1.31	0.69	7.88	9.25	2.69
	2-1/2	3.25	0.75	0.81	3.63	1.00	1.31	0.69	7.88	9.25	2.94





### S2 Mounts continued



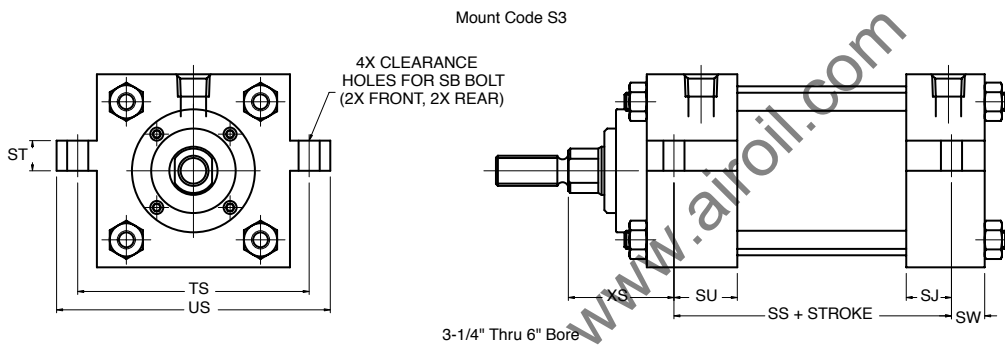
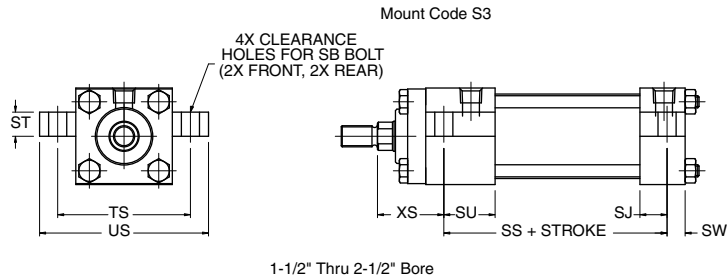
BORE	ROD	LH	SB	SJ	SS	ST	SU	SW	TS	US	XS
8	1-3/8	4.25	0.75	0.81	3.75	1.00	1.31	0.69	9.88	11.25	2.31
	1-3/4	4.25	0.75	0.81	3.75	1.00	1.31	0.69	9.88	11.25	2.56
	2	4.25	0.75	0.81	3.75	1.00	1.31	0.69	9.88	11.25	2.69
	2-1/2	4.25	0.75	0.81	3.75	1.00	1.31	0.69	9.88	11.25	2.94
10	1-3/4	5.31	1.00	1.13	4.63	1.25	1.38	0.88	12.38	14.13	2.75
	2	5.31	1.00	1.13	4.63	1.25	1.38	0.88	12.38	14.13	2.88
	2-1/2	5.31	1.00	1.13	4.63	1.25	1.38	0.88	12.38	14.13	3.13
	3	5.31	1.00	1.13	4.63	1.25	1.38	0.88	12.38	14.13	3.13
12	2	6.38	1.00	1.13	5.13	1.25	1.38	0.88	14.50	16.25	2.88
	2-1/2	6.38	1.00	1.13	5.13	1.25	1.38	0.88	14.50	16.25	3.13
	3	6.38	1.00	1.13	5.13	1.25	1.38	0.88	14.50	16.25	3.13
	3-1/2	6.38	1.00	1.13	5.13	1.25	1.38	0.88	14.50	16.25	3.13
14	2-1/2	7.38	1.25	1.13	5.88	1.50	1.63	1.13	17.00	19.25	3.38
	3	7.38	1.25	1.13	5.88	1.50	1.63	1.13	17.00	19.25	3.38
	3-1/2	7.38	1.25	1.13	5.88	1.50	1.63	1.13	17.00	19.25	3.38



## ASP Series Steel Body NFPA

# NUMATICS®

### S3 Mounts

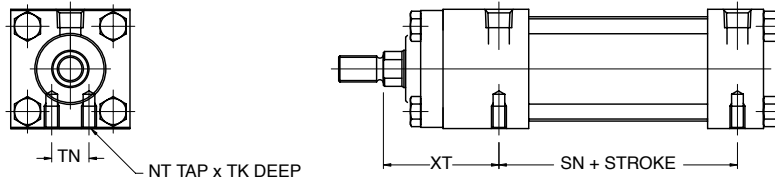


BORE	ROD	SB	SJ	SS	ST	SU	SW	TS	US	XS
1-1/2	5/8	0.38	0.63	2.88	0.50	1.13	0.38	2.75	3.50	1.38
	1	0.38	0.63	2.88	0.50	1.13	0.38	2.75	3.50	1.75
2	5/8	0.38	0.63	2.88	0.50	1.13	0.38	3.25	4.00	1.38
	1	0.38	0.63	2.88	0.50	1.13	0.38	3.25	4.00	1.75
	1-3/8	0.38	0.63	2.88	0.50	1.13	0.38	3.25	4.00	2.00
2-1/2	5/8	0.38	0.63	3.00	0.50	1.13	0.38	3.75	4.50	1.38
	1	0.38	0.63	3.00	0.50	1.13	0.38	3.75	4.50	1.75
	1-3/8	0.38	0.63	3.00	0.50	1.13	0.38	3.75	4.50	2.00
	1-3/4	0.38	0.63	3.00	0.50	1.13	0.38	3.75	4.50	2.25
3-1/4	1	0.50	0.75	3.25	0.75	1.25	0.50	4.75	5.75	1.88
	1-3/8	0.50	0.75	3.25	0.75	1.25	0.50	4.75	5.75	2.13
	1-3/4	0.50	0.75	3.25	0.75	1.25	0.50	4.75	5.75	2.38
	2	0.50	0.75	3.25	0.75	1.25	0.50	4.75	5.75	2.50
4	1	0.50	0.75	3.25	0.75	1.25	0.50	5.50	6.50	1.88
	1-3/8	0.50	0.75	3.25	0.75	1.25	0.50	5.50	6.50	2.13
	1-3/4	0.50	0.75	3.25	0.75	1.25	0.50	5.50	6.50	2.38
5	2	0.50	0.75	3.25	0.75	1.25	0.50	5.50	6.50	2.50
	1	0.75	0.56	3.13	1.00	1.06	0.69	6.88	8.25	2.06
	1-3/8	0.75	0.56	3.13	1.00	1.06	0.69	6.88	8.25	2.31
	1-3/4	0.75	0.56	3.13	1.00	1.06	0.69	6.88	8.25	2.56
6	2	0.75	0.56	3.13	1.00	1.06	0.69	6.88	8.25	2.69
	1-3/8	0.75	0.81	3.63	1.00	1.31	0.69	7.88	9.25	2.31
	1-3/4	0.75	0.81	3.63	1.00	1.31	0.69	7.88	9.25	2.56
	2	0.75	0.81	3.63	1.00	1.31	0.69	7.88	9.25	2.69
	2-1/2	0.75	0.81	3.63	1.00	1.31	0.69	7.88	9.25	2.94



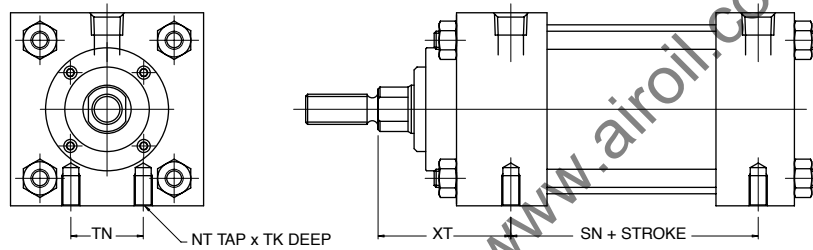
### S4 Mounts

Mount Code S4



1-1/2" Thru 2-1/2" Bore

MOUNT CODE S4



3-1/4" THRU 8" BORE

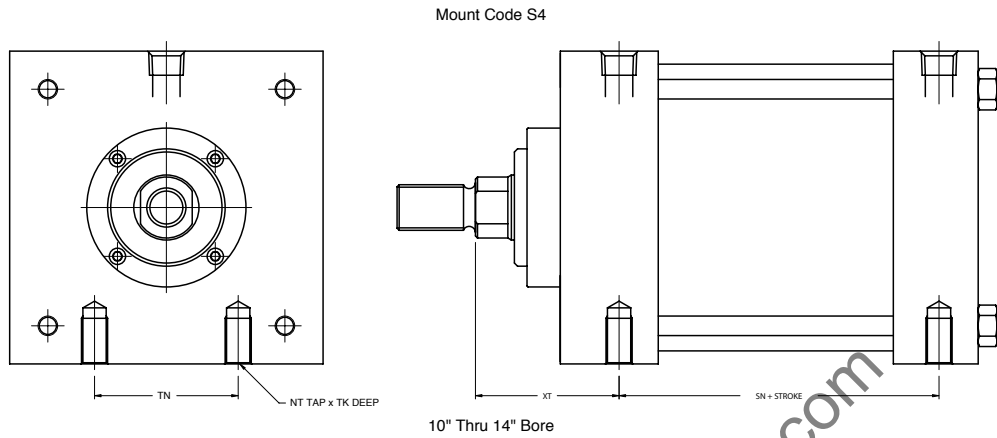
BORE	ROD	NT	TK	TN	SN	XT
1-1/2	5/8	1/4-20	0.375	0.625	2.250	1.938
	1	1/4-20	0.313	0.625	2.250	2.313
2	5/8	5/16-18	0.500	0.875	2.250	1.938
	1	5/16-18	0.500	0.875	2.250	2.313
	1-3/8	5/16-18	0.375	0.875	2.250	2.563
2-1/2	5/8	3/8-16	0.625	1.250	2.375	1.938
	1	3/8-16	0.625	1.250	2.375	2.313
	1-3/8	3/8-16	0.375	1.250	2.375	2.563
	1-3/4	3/8-16	0.375	1.250	2.375	2.563
	1	1/2-13	0.750	1.500	2.625	2.438
3-1/4	1-3/8	1/2-13	0.750	1.500	2.625	2.688
	1-3/4	1/2-13	0.750	1.500	2.625	2.938
	2	1/2-13	0.500	1.500	2.625	3.063
4	1	1/2-13	0.750	2.063	2.625	2.438
	1-3/8	1/2-13	0.750	2.063	2.625	2.688
	1-3/4	1/2-13	0.750	2.063	2.625	2.938
5	2	1/2-13	0.750	2.063	2.625	3.063
	1	5/8-11	1.000	2.688	2.875	2.438
	1-3/8	5/8-11	1.000	2.688	2.875	2.688
	1-3/4	5/8-11	1.000	2.688	2.875	2.938
6	2	5/8-11	1.000	2.688	2.875	3.063
	1-3/8	3/4-10	1.125	3.250	3.125	2.813
	1-3/4	3/4-10	1.125	3.250	3.125	3.063
	2	3/4-10	1.125	3.250	3.125	3.188
	2-1/2	3/4-10	1.125	3.250	3.125	3.438



**ASP Series  
Steel Body NFPA**

**NUMATICS®**

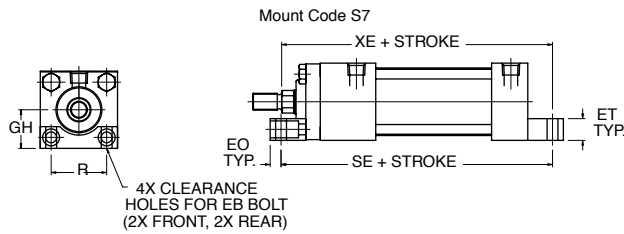
**S4 Mounts (continued)**



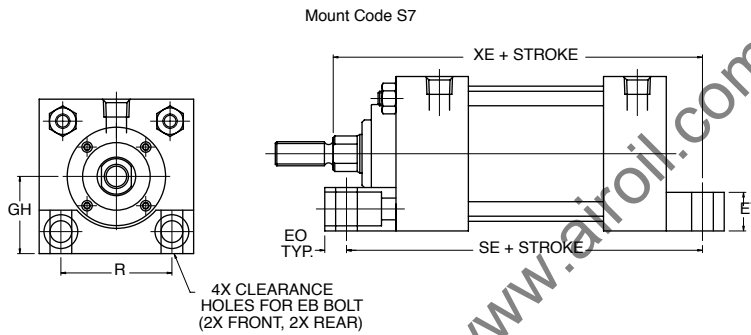
BORE	ROD	NT	TK	TN	SN	XT
8	1-3/8	3/4-10	1.125	4.500	3.250	2.813
	1-3/4	3/4-10	1.125	4.500	3.250	3.063
	2	3/4-10	1.125	4.500	3.250	3.188
	2-1/2	3/4-10	1.125	4.500	3.250	3.438
10	1-3/4	1-8	2.000	5.500	4.125	3.125
	2	1-8	2.000	5.500	4.125	3.250
	2-1/2	1-8	2.000	5.500	4.125	3.500
	3	1-8	2.000	5.500	4.125	3.500
12	2	1-8	2.000	7.250	4.625	3.250
	2-1/2	1-8	2.000	7.250	4.625	3.500
	3	1-8	2.000	7.250	4.625	3.500
	3-1/2	1-8	2.000	7.250	4.625	3.500
14	2-1/2	1 1/4-7	2.500	8.375	5.500	3.813
	3	1 1/4-7	2.500	8.375	5.500	3.813
	3-1/2	1 1/4-7	2.500	8.375	5.500	3.813



### S7 Mounts



1-1/2" Thru 2-1/2" Bore



3-1/4" Thru 6" Bore

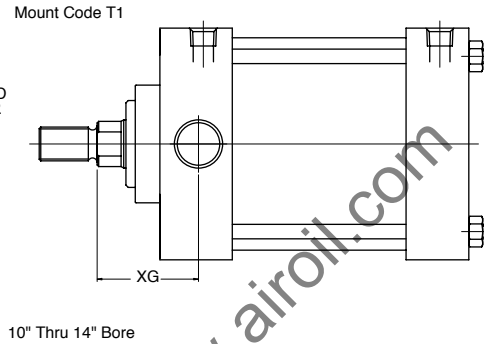
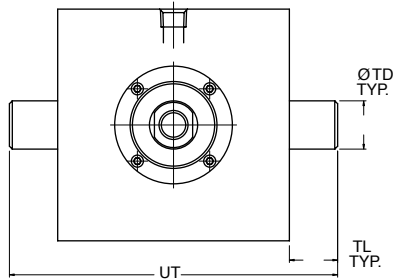
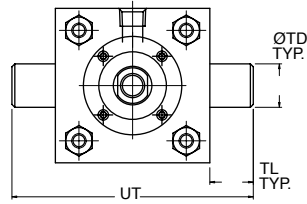
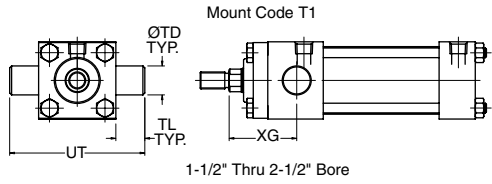
BORE	ROD	EB	GH	SE	ET	EO	R	XE
1-1/2	5/8	0.25	1.00	5.500	0.55	0.25	1.43	5.38
	1	0.25	1.00	5.500	0.55	0.25	1.43	5.75
2	5/8	0.31	1.25	5.875	0.64	0.31	1.84	5.56
	1	0.31	1.25	5.875	0.64	0.31	1.84	5.94
2-1/2	5/8	0.31	1.50	6.625	0.80	0.31	2.19	5.81
	1	0.31	1.50	6.625	0.80	0.31	2.19	6.19
	1-3/8	0.31	1.50	6.625	0.80	0.31	2.19	6.44
3-1/4	1	0.38	1.88	6.625	0.95	0.50	2.76	6.50
	1-3/8	0.38	1.88	6.625	0.95	0.50	2.76	6.75
	1-3/4	0.38	1.88	6.625	0.95	0.50	2.76	7.00
	2	0.38	1.88	6.625	0.95	0.50	2.76	7.13
4	1	0.38	2.25	6.875	1.17	0.50	3.32	6.63
	1-3/8	0.38	2.25	6.875	1.17	0.50	3.32	6.88
	1-3/4	0.38	2.25	6.875	1.17	0.50	3.32	7.13
5	2	0.38	2.25	6.875	1.17	0.50	3.32	7.25
	1	0.50	2.75	7.250	1.39	0.50	4.10	6.94
	1-3/8	0.50	2.75	7.250	1.39	0.50	4.10	7.19
	1-3/4	0.50	2.75	7.250	1.39	0.50	4.10	7.44
6	2	0.50	2.75	7.250	1.39	0.50	4.10	7.56
	1-3/8	0.50	3.25	7.750	1.61	0.50	4.88	7.63
	1-3/4	0.50	3.25	7.750	1.61	0.50	4.88	7.88
6	2	0.50	3.25	7.750	1.61	0.50	4.88	8.00
	2-1/2	0.50	3.25	7.750	1.61	0.50	4.88	8.25



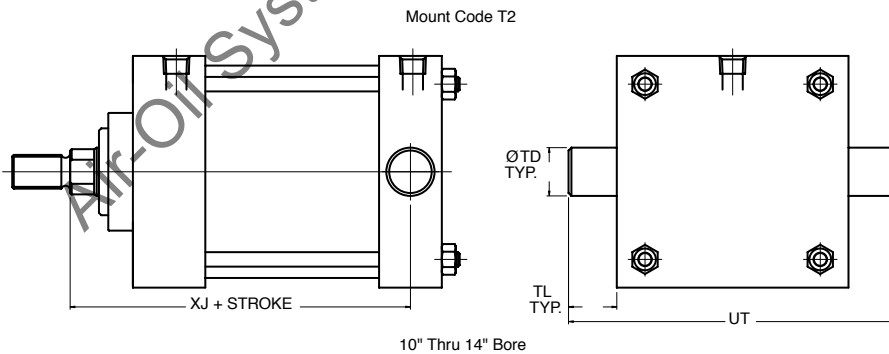
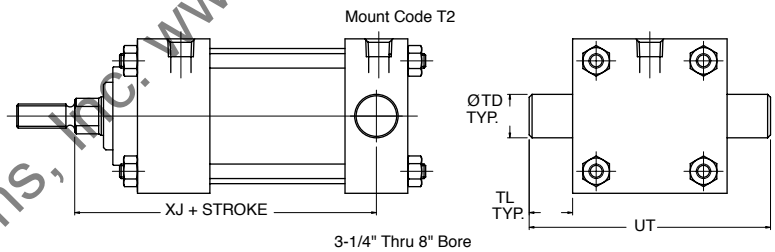
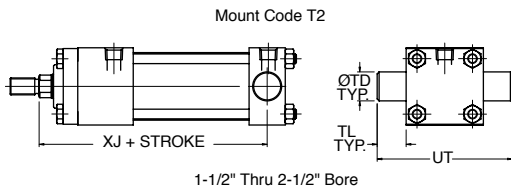
## ASP Series Steel Body NFPA

**NUMATICS®**

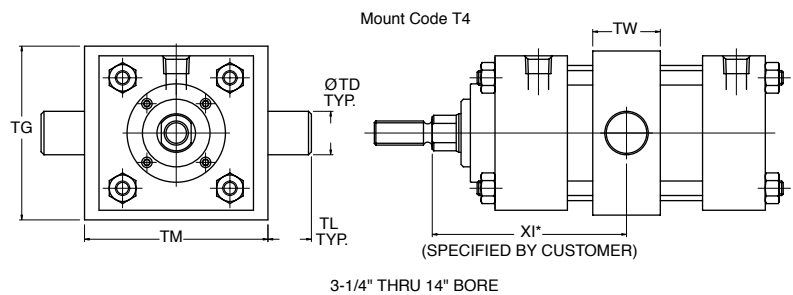
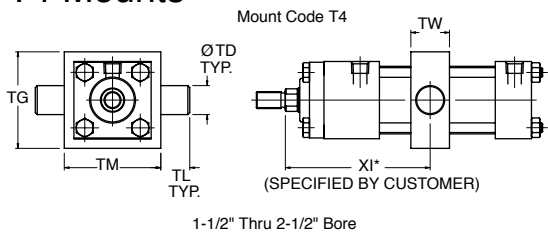
### T1 Mounts



### T2 Mounts



### T4 Mounts





### T Mounts continued

BORE	ROD	TD	TG	TL	TM	TW	UT	XG	XI (MIN)	XJ
1-1/2	5/8	1.000	2.50	1.00	2.50	1.25	4.00	1.75	3.13	4.13
	1	1.000	2.50	1.00	2.50	1.25	4.00	2.13	3.50	4.50
2	5/8	1.000	3.00	1.00	3.00	1.50	4.50	1.75	3.25	4.13
	1	1.000	3.00	1.00	3.00	1.50	4.50	2.13	3.63	4.50
	1-3/8	1.000	3.00	1.00	3.00	1.50	4.50	2.38	3.88	4.75
2-1/2	5/8	1.000	3.50	1.00	3.50	1.50	5.00	1.75	3.25	4.25
	1	1.000	3.50	1.00	3.50	1.50	5.00	2.13	3.63	4.63
	1-3/8	1.000	3.50	1.00	3.50	1.50	5.00	2.38	3.88	4.88
	1-3/4	1.000	3.50	1.00	3.50	1.50	5.00	2.63	4.13	5.13
3-1/4	1	1.000	4.25	1.00	4.50	2.00	5.75	2.25	4.13	5.00
	1-3/8	1.000	4.25	1.00	4.50	2.00	5.75	2.50	4.38	5.25
	1-3/4	1.000	4.25	1.00	4.50	2.00	5.75	2.75	4.63	5.50
	2	1.000	4.25	1.00	4.50	2.00	5.75	2.88	4.75	5.63
4	1	1.000	5.00	1.00	5.25	2.00	6.50	2.25	4.13	5.00
	1-3/8	1.000	5.00	1.00	5.25	2.00	6.50	2.50	4.38	5.25
	1-3/4	1.000	5.00	1.00	5.25	2.00	6.50	2.75	4.63	5.50
	2	1.000	5.00	1.00	5.25	2.00	6.50	2.88	4.75	5.63
5	1	1.000	6.00	1.00	6.25	2.00	7.50	2.25	4.13	5.25
	1-3/8	1.000	6.00	1.00	6.25	2.00	7.50	2.50	4.38	5.50
	1-3/4	1.000	6.00	1.00	6.25	2.00	7.50	2.75	4.63	5.75
	2	1.000	6.00	1.00	6.25	2.00	7.50	2.88	4.75	5.88
6	1-3/8	1.375	7.00	1.38	7.63	2.50	9.25	2.63	4.88	5.88
	1-3/4	1.375	7.00	1.38	7.63	2.50	9.25	2.88	5.13	6.13
	2	1.375	7.00	1.38	7.63	2.50	9.25	3.00	5.25	6.25
	2-1/2	1.375	7.00	1.38	7.63	2.50	9.25	3.25	5.50	6.50
8	1-3/8	1.375	9.50	1.38	9.75	2.50	11.25	2.63	4.88	6.00
	1-3/4	1.375	9.50	1.38	9.75	2.50	11.25	2.88	5.13	6.25
	2	1.375	9.50	1.38	9.75	2.50	11.25	3.00	5.25	6.38
	2-1/2	1.375	9.50	1.38	9.75	2.50	11.25	3.25	5.50	6.63
10	1-3/4	1.750	11.75	1.75	12.00	3.00	14.13	3.00	5.63	7.25
	2	1.750	11.75	1.75	12.00	3.00	14.13	3.13	5.75	7.38
	2-1/2	1.750	11.75	1.75	12.00	3.00	14.13	3.38	6.00	7.63
	3	1.750	11.75	1.75	12.00	3.00	14.13	3.38	6.00	7.63
12	2	1.750	13.75	1.75	14.00	3.00	16.25	3.13	5.75	7.88
	2-1/2	1.750	13.75	1.75	14.00	3.00	16.25	3.38	6.00	8.13
	3	1.750	13.75	1.75	14.00	3.00	16.25	3.38	6.00	8.13
	3-1/2	1.750	13.75	1.75	14.00	3.00	16.25	3.38	6.00	8.13
14	2-1/2	2.000	16.00	2.00	16.25	3.50	18.75	3.63	6.75	9.25
	3	2.000	16.00	2.00	16.25	3.50	18.75	3.63	6.75	9.25
	3-1/2	2.000	16.00	2.00	16.25	3.50	18.75	3.63	6.75	9.25

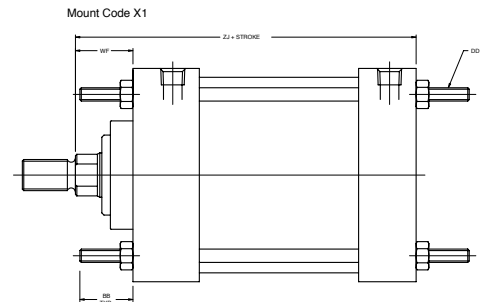
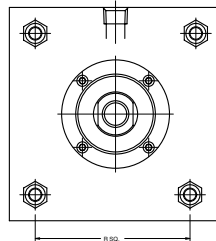
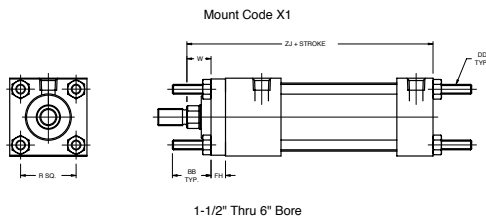




## ASP Series Steel Body NFPA

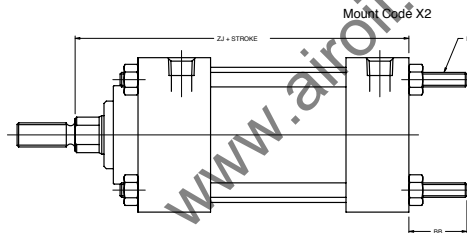
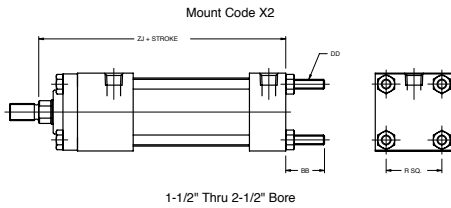
**NUMATICS®**

### X1 Mounts

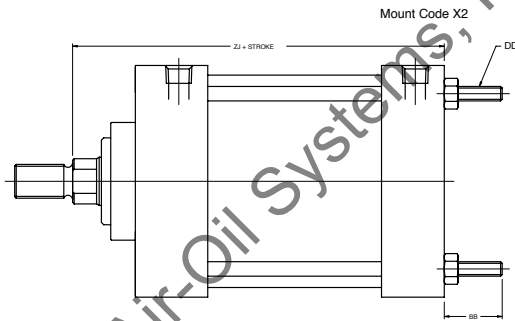
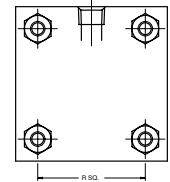


8" Thru 14" Bore

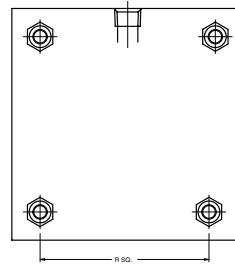
### X2 Mounts



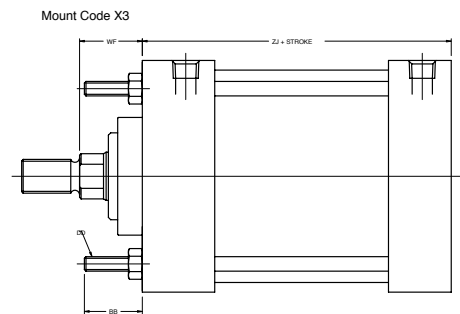
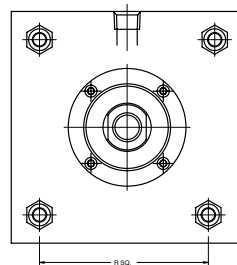
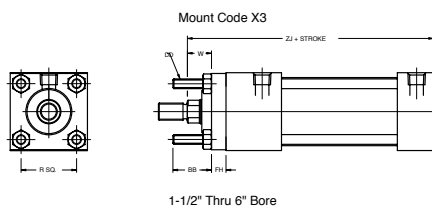
3-1/4" Thru 8" Bore



10" Thru 14" Bore



### X3 Mounts



8" Thru 14" Bore



### X Mounts (continued)

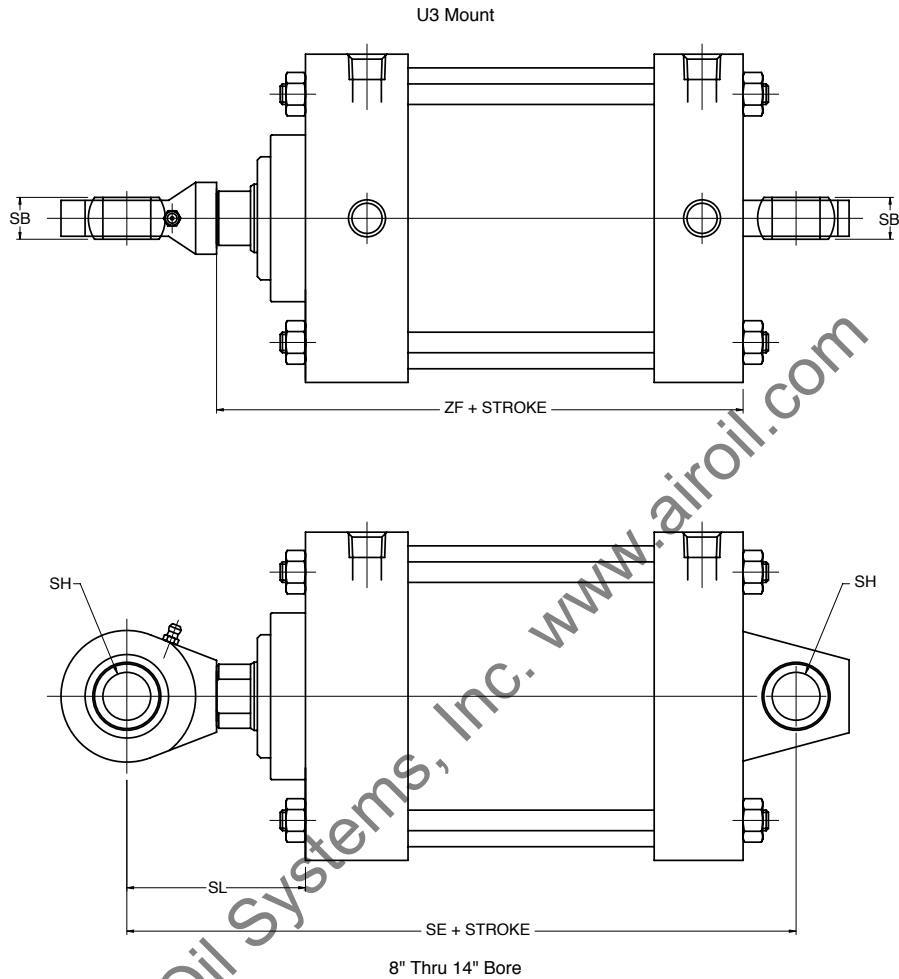
BORE	ROD	BB	DD	FH	R	W	ZJ
1-1/2	5/8	1.000	1/4-28	0.38	1.43	0.63	4.625
	1	1.000	1/4-28	0.38	1.43	1.00	5.000
2	5/8	1.125	5/16-24	0.38	1.84	0.63	4.625
	1	1.125	5/16-24	0.38	1.84	1.00	5.000
	1-3/8	1.125	5/16-24	0.38	1.84	1.25	5.250
2-1/2	5/8	1.125	5/16-24	0.38	2.19	0.63	4.750
	1	1.125	5/16-24	0.38	2.19	1.00	5.125
	1-3/8	1.125	5/16-24	0.38	2.19	1.25	5.375
	1-3/4	1.125	5/16-24	0.38	2.19	1.50	5.625
3-1/4	1	1.375	3/8-24	0.63	2.76	0.75	5.625
	1-3/8	1.375	3/8-24	0.63	2.76	1.00	5.875
	1-3/4	1.375	3/8-24	0.63	2.76	1.25	6.125
	2	1.375	3/8-24	0.63	2.76	1.38	6.250
4	1	1.375	3/8-24	0.63	3.32	0.75	5.625
	1-3/8	1.375	3/8-24	0.63	3.32	1.00	5.875
	1-3/4	1.375	3/8-24	0.63	3.32	1.25	6.125
	2	1.375	3/8-24	0.63	3.32	1.38	6.250
5	1	1.813	1/2-20	0.63	4.10	0.75	5.875
	1-3/8	1.813	1/2-20	0.63	4.10	1.00	6.125
	1-3/4	1.813	1/2-20	0.63	4.10	1.25	6.375
	2	1.813	1/2-20	0.63	4.10	1.38	6.500
6	1-3/8	1.813	1/2-20	0.75	4.88	0.88	6.625
	1-3/4	1.813	1/2-20	0.75	4.88	1.13	6.875
	2	1.813	1/2-20	0.75	4.88	1.25	7.000
	2-1/2	1.813	1/2-20	0.75	4.88	1.50	7.250
8	1-3/8	2.313	5/8-18	N/A	6.44	1.63	6.750
	1-3/4	2.313	5/8-18	N/A	6.44	1.88	7.000
	2	2.313	5/8-18	N/A	6.44	2.00	7.125
	2-1/2	2.313	5/8-18	N/A	6.44	2.25	7.375
10	1-3/4	2.690	3/4-16	N/A	8.06	1.88	8.250
	2	2.690	3/4-16	N/A	8.06	2.00	8.375
	2-1/2	2.690	3/4-16	N/A	8.06	2.25	8.625
	3	2.690	3/4-16	N/A	8.06	2.25	8.625
12	2	2.690	3/4-16	N/A	9.41	2.00	8.875
	2-1/2	2.690	3/4-16	N/A	9.41	2.25	9.125
	3	2.690	3/4-16	N/A	9.41	2.25	9.125
	3-1/2	2.690	3/4-16	N/A	9.41	2.25	9.125
14	2-1/2	3.190	7/8-14	N/A	10.90	2.25	10.375
	3	3.190	7/8-14	N/A	10.90	2.25	10.375
	3-1/2	3.190	7/8-14	N/A	10.90	2.25	10.375



ASP Series  
Steel Body NFPA

NUMATICS®

U3 Mount

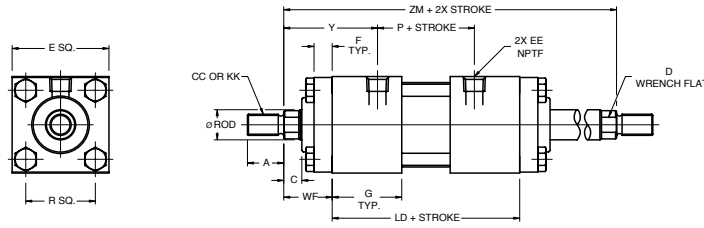


BORE	ROD	SB	SH	SL	SE
8	1-3/8	0.88	1.00	3.50	10.13
	1-3/4	0.88	1.00	3.75	10.38
	2	0.88	1.00	3.88	10.50
	2-1/2	0.88	1.00	4.13	10.75
10	1-3/4	1.19	1.38	4.00	12.50
	2	1.19	1.38	4.13	12.63
	2-1/2	1.19	1.38	4.38	12.88
	3	1.19	1.38	4.38	12.88
12	2	1.53	1.75	4.50	13.63
	2-1/2	1.53	1.75	4.75	13.88
	3	1.53	1.75	4.38	13.88
	3-1/2	1.53	1.75	4.38	13.88
14	2-1/2	1.75	2.00	5.00	15.63
	3	1.75	2.00	4.38	15.63
	3-1/2	1.75	2.00	4.38	15.63

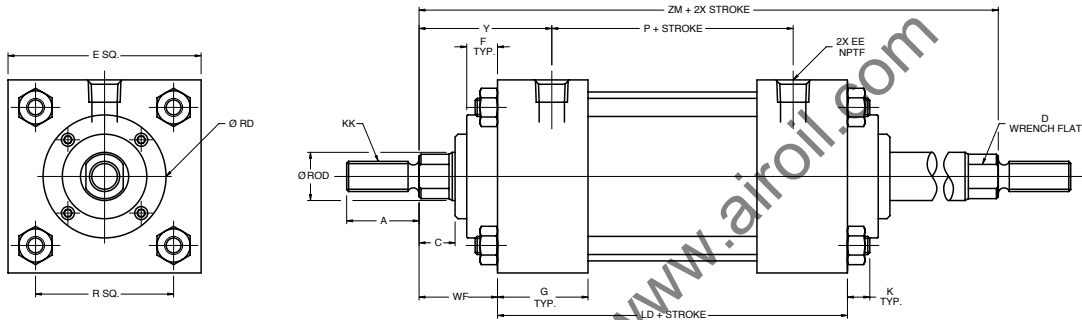


### Double Rod Mounts

DA-DOUBLE ROD END



1-1/2" THRU 2-1/2" BORE



BORE	ROD	A	C	D	E	EE	F	G	K	KK	LD	P	R	SN*	SS*	RD	WF	Y	ZM
1-1/2	5/8	0.750	0.375	0.500	2.000	0.375	0.375	1.500	N/A	7/16-20	4.125	2.325	1.430	2.250	3.375	N/A	1.000	1.938	6.125
	1	1.125	0.500	0.813	2.000	0.250	0.375	1.500	N/A	3/4-16	4.125	1.965	1.430	2.250	3.375	N/A	1.375	2.460	6.875
2	5/8	0.750	0.375	0.500	2.500	0.375	0.375	1.500	N/A	7/16-20	4.125	2.250	1.840	2.250	3.375	N/A	1.000	1.938	6.152
	1	1.125	0.500	0.813	2.500	0.375	0.375	1.500	N/A	3/4-16	4.125	2.375	1.840	2.250	3.375	N/A	1.375	2.250	6.875
	1-3/8	1.625	0.625	1.125	2.500	0.375	0.375	1.500	N/A	1-14	4.125	2.250	1.840	2.250	3.375	N/A	1.625	2.500	7.375
2-1/2	5/8	0.750	0.375	0.500	3.000	0.375	0.375	1.500	N/A	7/16-20	4.250	2.375	2.190	2.375	3.500	N/A	1.000	1.813	6.250
	1	1.125	0.500	0.813	3.000	0.375	0.375	1.500	N/A	3/4-16	4.250	2.375	2.190	2.375	3.500	N/A	1.375	2.188	7.000
	1-3/8	1.625	0.625	1.125	3.000	0.375	0.375	1.500	N/A	1-14	4.250	2.375	2.190	2.375	3.500	N/A	1.625	2.438	7.500
	1-3/4	2.000	0.750	1.500	3.000	0.375	0.375	1.500	N/A	1 1/4-12	4.250	2.250	2.190	2.375	3.500	N/A	1.875	2.688	8.000
3-1/4	1	1.125	0.500	0.813	3.750	0.500	0.625	1.750	0.375	3/4-16	4.750	2.625	2.760	2.625	3.750	2.706	1.375	2.438	7.500
	1-3/8	1.625	0.625	1.125	3.750	0.500	0.625	1.750	0.375	1-14	4.750	2.625	2.760	2.625	3.750	3.110	1.625	2.688	8.000
	1-3/4	2.000	0.750	1.500	3.750	0.500	0.625	1.750	0.375	1 1/4-12	4.750	2.625	2.760	2.625	3.750	N/A	1.875	2.938	8.500
	2	2.250	0.875	1.750	3.750	0.500	0.625	1.750	0.375	1 1/2-12	4.750	2.625	2.760	2.625	3.750	N/A	2.000	3.063	8.750
4	1	1.125	0.500	0.813	4.500	0.500	0.625	1.750	0.375	3/4-16	4.750	2.625	3.320	2.625	3.750	2.706	1.375	2.438	7.500
	1-3/8	1.625	0.625	1.125	4.500	0.500	0.625	1.750	0.375	1-14	4.750	2.625	3.320	2.625	3.750	3.110	1.625	2.688	8.000
	1-3/4	2.000	0.750	1.500	4.500	0.500	0.625	1.750	0.375	1 1/4-12	4.750	2.625	3.320	2.625	3.750	3.788	1.875	2.938	8.500
5	2	2.250	0.875	1.750	4.500	0.500	0.625	1.750	0.375	1 1/2-12	4.750	2.625	3.320	2.625	3.750	N/A	2.000	3.063	8.750
	1	1.125	0.500	0.813	5.500	0.500	0.625	1.750	0.500	3/4-16	5.000	2.875	4.100	2.875	3.625	2.706	1.375	2.438	7.750
	1-3/8	1.625	0.625	1.125	5.500	0.500	0.625	1.750	0.500	1-14	5.000	2.875	4.100	2.875	3.625	3.110	1.625	2.688	8.250
	1-3/4	2.000	0.750	1.500	5.500	0.500	0.625	1.750	0.500	1 1/4-12	5.000	2.875	4.100	2.875	3.625	3.788	1.875	2.938	8.750
6	2	2.250	0.875	1.750	5.500	0.500	0.625	1.750	0.500	1 1/2-12	5.000	2.875	4.100	2.875	3.625	4.250	2.000	3.063	9.000
	1-3/8	1.625	0.625	1.125	6.500	0.750	0.750	2.000	0.500	1-14	5.500	3.125	4.880	3.125	4.125	3.125	1.625	2.813	8.750
	1-3/4	2.000	0.750	1.500	6.500	0.750	0.750	2.000	0.500	1 1/4-12	5.500	3.125	4.880	3.125	4.125	3.788	1.875	3.063	9.250
6	2	2.250	0.875	1.750	6.500	0.750	0.750	2.000	0.500	1 1/2-12	5.500	3.125	4.880	3.125	4.125	4.250	2.000	3.188	9.500
	2-1/2	3.000	1.000	2.060	6.500	0.750	0.750	2.000	0.500	1 7/8-12	5.500	3.125	4.880	3.125	4.125	5.500	2.500	3.438	10.000

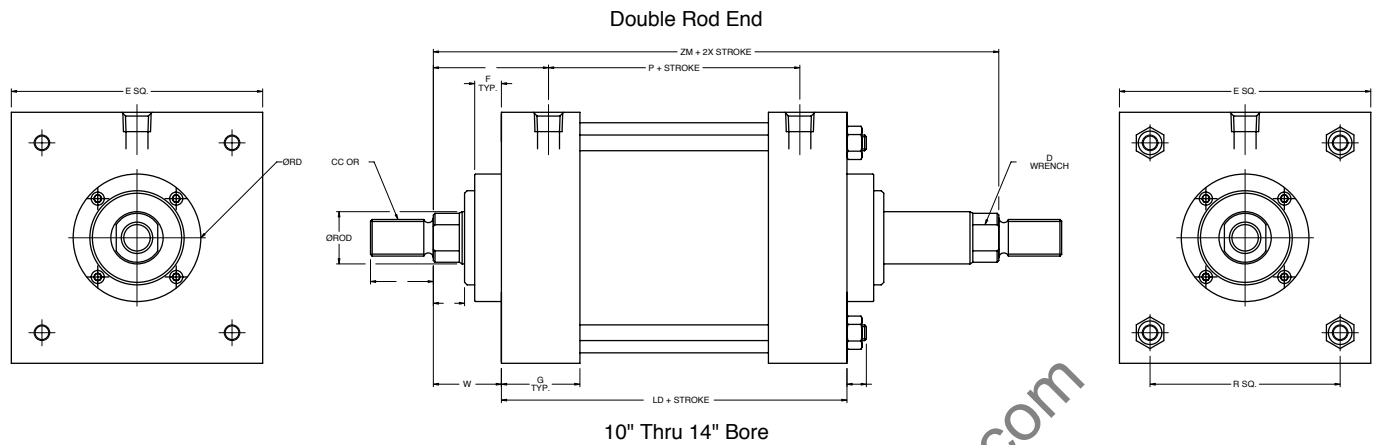
\* For bottom tap and side lug.



## ASP Series Steel Body NFPA

**NUMATICS®**

### Double Rod Mounts (continued)



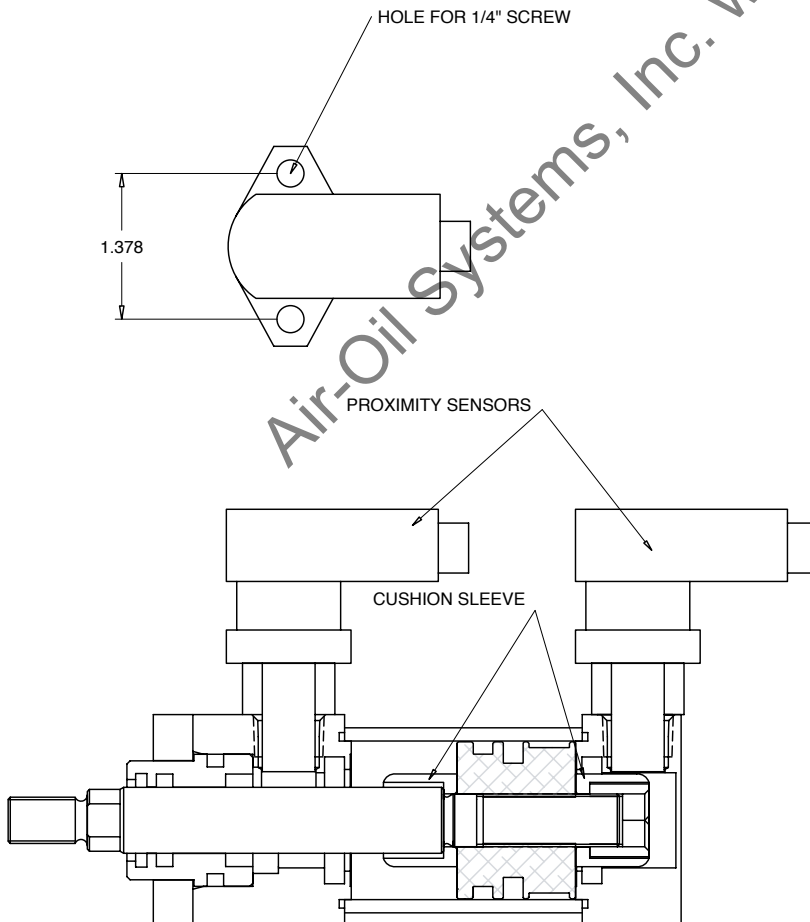
BORE	ROD	A	C	D	E	EE	F	G	K	KK	LD	P	R	SN*	SS*	RD	WF	Y	ZM
8	1-3/8	1.625	0.625	1.125	8.500	0.750	0.625	2.00	0.625	1-14	5.625	3.250	6.440	3.250	4.250	3.125	1.625	2.810	8.875
	1-3/4	2.000	0.750	1.500	8.500	0.750	0.750	2.00	0.625	1 1/4-12	5.625	3.250	6.440	3.250	4.250	3.788	1.875	3.060	9.375
	2	2.250	0.875	1.750	8.500	0.750	0.750	2.00	0.625	1 1/2-12	5.625	3.250	6.440	3.250	4.250	4.250	2.000	3.185	9.625
	2-1/2	3.000	1.000	2.060	8.500	0.750	0.750	2.00	0.625	1 7/8-12	5.625	3.250	6.440	3.250	4.250	5.500	2.250	3.435	10.125
10	1-3/4	2.000	0.750	1.500	10.625	1.000	0.750	2.25	0.750	1 1/4-12	6.625	4.125	8.063	4.125	4.875	3.788	1.875	3.125	10.375
	2	2.250	0.875	1.750	10.625	1.000	0.750	2.25	0.750	1 1/2-12	6.625	4.125	8.063	4.125	4.875	4.250	2.000	3.250	10.625
	2-1/2	3.000	1.000	2.060	10.625	1.000	0.750	2.25	0.750	1 7/8-12	6.625	4.125	8.063	4.125	4.875	5.500	2.250	3.500	11.125
	3	3.500	1.000	2.625	10.625	1.000	0.750	2.25	0.750	2 1/4-12	6.625	4.125	8.063	4.125	4.875	7.500	2.250	3.500	11.125
12	2	2.250	0.875	1.750	12.750	1.000	0.750	2.25	0.750	1 1/4-12	7.125	4.625	9.410	4.625	5.375	4.250	2.000	3.250	11.125
	2-1/2	3.000	1.000	2.060	12.750	1.000	0.750	2.25	0.750	1 1/2-12	7.125	4.625	9.410	4.625	5.375	5.500	2.250	3.500	11.625
	3	3.500	1.000	2.625	12.750	1.000	0.750	2.25	0.750	1 7/8-12	7.125	4.625	9.410	4.625	5.375	7.500	2.250	3.500	11.625
	3-1/2	3.500	1.000	3.000	12.750	1.000	0.750	2.25	0.750	2 1/4-12	7.125	4.625	9.410	4.625	5.375	7.500	2.250	3.500	11.625
14	2-1/2	3.000	1.000	2.060	14.750	1.250	0.750	2.75	0.875	1 7/8-12	8.625	5.500	10.900	5.500	6.375	5.500	2.250	3.810	13.125
	3	3.500	1.000	2.625	14.750	1.250	0.750	2.75	0.875	2 1/4-12	8.625	5.500	10.900	5.500	6.375	7.500	2.250	3.810	13.125
	3-1/2	3.500	1.000	3.000	14.750	1.250	0.750	2.75	0.875	2 1/2-12	8.625	5.500	10.900	5.500	6.375	7.500	2.250	3.810	13.125

\* For bottom tap and side lug.



### Cylinder Position Sensors ("Cylindicator Ready" Option)

The *In Force* Cylinder Line offers cylinder position sensing using inductive proximity switches. The steel tube construction does not enable the use of conventional pneumatic cylinder position sensing through magnetic field sensors. Inductive proximity sensors are commonly used on steel tube cylinders (both pneumatic and hydraulic). These sensors are typically mounted to the cylinder end caps via screws through spacers. The sensor determines end of stroke positioning by detecting the steel cushion sleeves (also know as cylinder spuds) as they pass beneath the sensor. There are two common types of sensors. The first is "No Stroke to Go." This is where the sensor is switched when the cylinder reaches end of stroke. The other type is "Stroke to Go." This is where the sensor is switched slightly before the cylinder reaches end of stroke. This is commonly utilized when a reduction of cycle time is desired. However, the timing is crucial and end of stroke may not be achieved soon enough after switching. *In Force* cylinders ordered with the "Cylindicator Ready" option includes the spacers and tapped holes necessary to mount to most common switches.



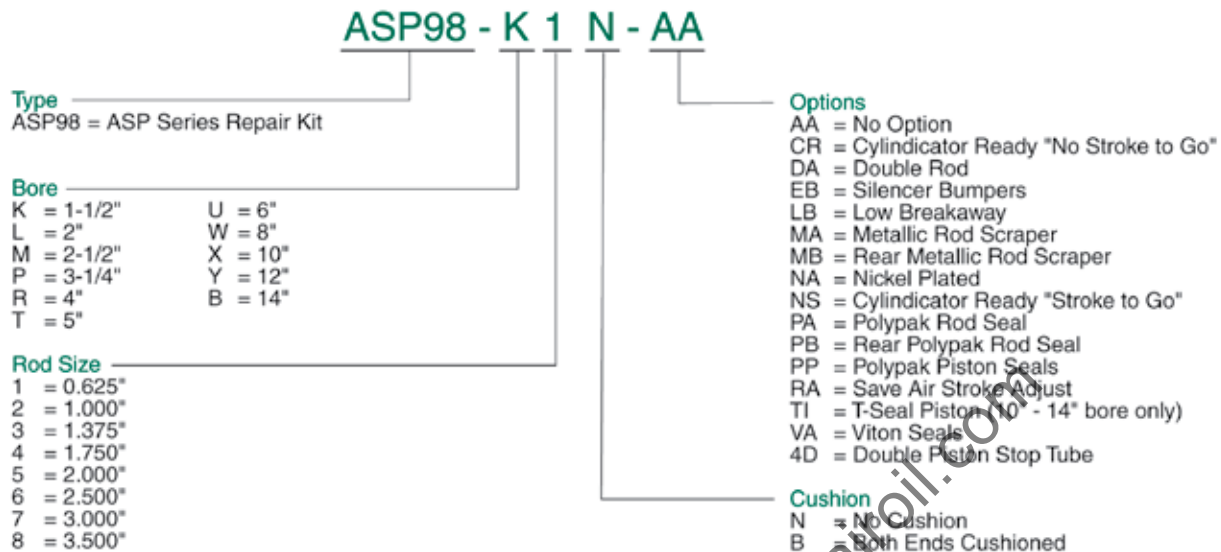
BORE	ROD DIAMETER	PROBE LENGTH
1-1/2	5/8	1.025
	1	N/A
2	5/8	1.250
	1	1.025
	1-3/8	1.025
2-1/2	5/8	2.062
	1	1.250
	1-3/8	1.025
3-1/4	1-3/4	1.025
	1	1.250
	1-3/8	1.250
4	1-3/4	1.250
	2	1.025
	1	2.062
5	1-3/8	2.062
	1-3/4	2.062
	2	2.062
6	1	2.875
	1-3/8	2.062
	1-3/4	2.062
8	2	2.062
	1-3/8	2.875
	1-3/4	2.875
10	2	2.875
	2-1/2	2.875
	1-3/8	3.775
12	1-3/4	3.775
	2	3.775
	2-1/2	3.775
14	1-3/4	4.560
	2	4.560
	2-1/2	4.560
Special	3	3.775
	2	Special
	2-1/2	Special
Special	3	4.560
	3-1/2	Special
	2-1/2	Special
Special	3	Special
	3-1/2	Special



## ASP Series Steel Body NFPA

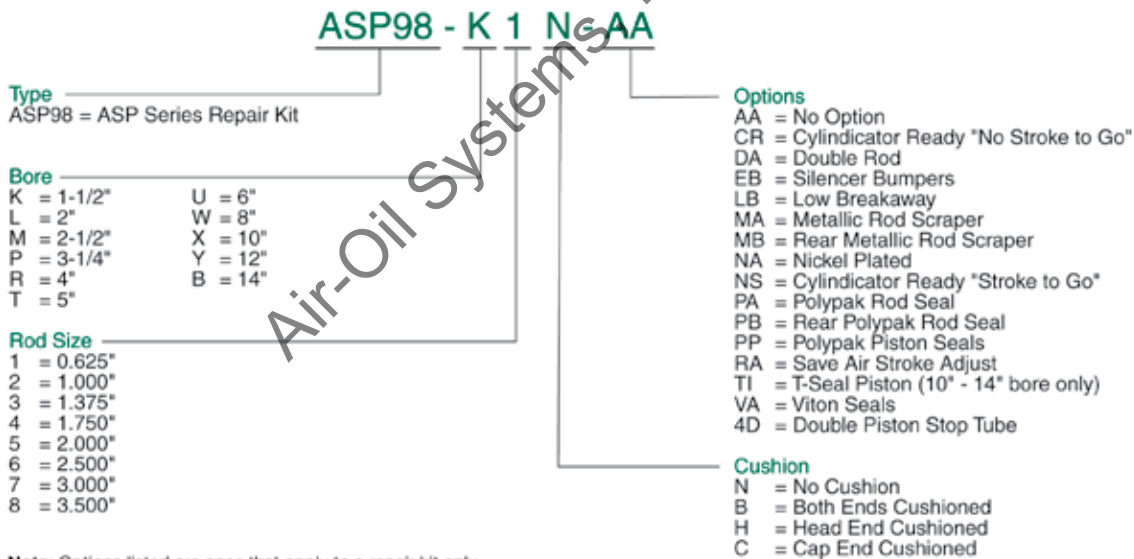
# NUMATICS®

### How to Order - ASP Series **Repair Kit**



**Note:** Options listed are ones that apply to a repair kit only.  
 Model number is set up to use option code supplied with original cylinder or with any above.

### How to Order - ASP Series **Seal Kit**



**Note:** Options listed are ones that apply to a repair kit only.  
 Model number is set up to use option code supplied with original cylinder or with any above.





### Piston Rod Assembly Kit Removal/Installation Instructions

1. Loosen 4 Retainer Screws (Part #11) to remove Full Face Retainer (Part #10).
2. Loosen 4 Sleeve Nuts (Part #14) to remove Piston/Rod Assembly (Part #17, #18, #19, & #20)
3. Carefully remove old seals and wearband (Part #22, #23, & #24). Any damage to the seal may result in leakage.
4. Lubricate pistons seal(s) and Wearband (Part #22) with supplied Numatics' Lube. Examine seals before installing for any contamination. Contamination may cause leakage.
5. Install Piston Seal (Part #24). Make sure the piston seal is not twisted inside groove. Next install back-up rings (Part #23) if piston seal is a T-seal.
6. Install lubricated wearband onto piston. Sink piston/rod assembly into sinker tube. See Sinker Tube Part Numbers Chart.
7. Apply lube inside the cylinder tube.
8. Sink piston/rod assembly into cylinder tube.
9. Press piston/rod assembly flush with the cylinder tube. Wipe off any lube from the face of the piston.
10. Examine all seals after installing for any contamination. Contamination may cause leakage.
11. Lightly grease Rod Seal (Part #2) and Bushing O-ring (Part #3) of Loaded bushing (Part #5) before installation. This will ease the installation of the rod bushing over the rod.
12. Assemble cylinder. First, loosely torque sleeve nuts to allow head and cap to rotate slightly. Before final torque, place cylinder on level surface to square head and cap. Torque sleeve nuts in a crisscross pattern. Use the following charts for torque tolerances.
13. Place full face retainer over bushing. Tighten retainer screws. Use torque tolerance charts for specific torque informations.
14. Stroke cylinder by hand. This will enable detection of any binding. If binding does occur, repeat steps 12-14.

See Seal Installation Guide on page 39 for additional (visual) instructions.

NOTE: Depending on bore and/or rod size, the cylinder may not have full face retainer.

### Repair Kit and Seal Kit Removal/Installation Instructions

1. Loosen 4 Retainer Screws (Part #11) to remove Full Face Retainer (Part #10) and Loaded Bushing (Part # 5).
2. Loosen 4 Sleeve Nuts (Part #14) to remove Piston/Rod Assembly (Part #17, #18, #19, & #20)
3. Carefully remove old seals and wearband (Part #1, #2, #3 Seal Kit only], #8, #9, #22, #23, & #24). Any damage to the seal grooves may result in leakage.
4. Lubricate new seals and Wearband (Part #22) with supplied Numatics' Lube. Examine seals before installing for any contamination. Contamination may cause leakage.
5. Install Piston Seal (Part #24). Make sure the piston seal is not twisted inside groove. Next install back-up rings (Part #23) if piston seal is a T-seal.
6. Install lubricated wearband onto piston. Sink piston/rod assembly into sinker tube. See Sinker Tube Part Numbers Chart.
7. Apply lube inside the cylinder tube.
8. Sink piston/rod assembly into cylinder tube.
9. Press piston/rod assembly flush with the cylinder tube. Wipe off any lube from the face of the piston.
10. Place Tube End Seals (Part #8) into head and cap seal grooves. Examine seals after installing for any contamination. Contamination may cause leakage.
11. Install Rod Wiper (Part #1), Rod Seal (Part #2), and Bushing O-ring (Part #3) into bushing (Seal Kit only). Lightly grease Rod Seal and Bushing O-ring after installation. This will ease the installation of the rod bushing over the rod and into the head.
12. Assemble cylinder except for loaded bushing. First, loosely torque sleeve nuts to allow head and cap to rotate slightly. Carefully place bushing over the rod until getting interference. With a twisting motion, slide the bushing down onto the rod and into the bushing pocket on the head.
13. Before final torque, place cylinder on level surface to square head and cap. Torque sleeve nuts in a crisscross pattern. Use the following charts for torque tolerances.
14. Place full face retainer over bushing. Tighten retainer screws. Use torque tolerance charts for specific torque informations..
15. Stroke cylinder by hand. This will enable detection of any binding. If binding does occur, repeat steps 12-14.

See Seal Installation Guide on page 39 for additional (visual) instructions.

NOTE: Depending on bore and/or rod size, the cylinder may not have full face retainer.



## ASP Series Steel Body NFPA

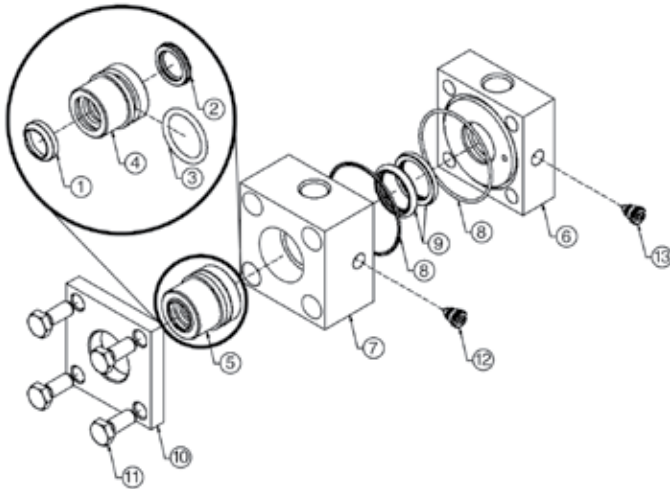
# NUMATICS®

### Diagrams

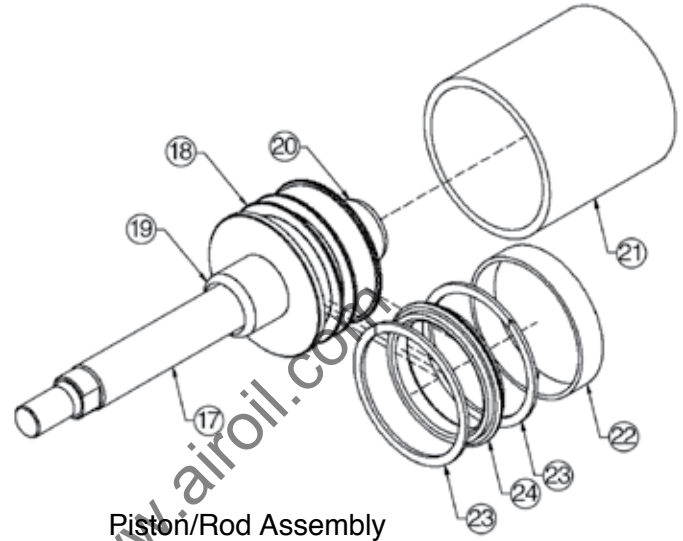
Pneumatic Service Temperatures:

Nitrile Seals: -10°F (-23°C) to 165°F (74°C)

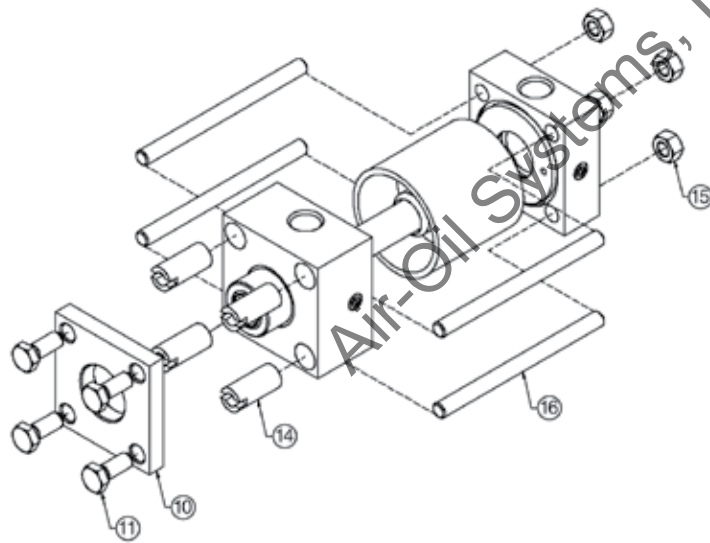
Viton® Seals: 0°F (-17°C) to 400°F (204°C)



Head, Cap, and Bushing Assembly



Piston/Rod Assembly



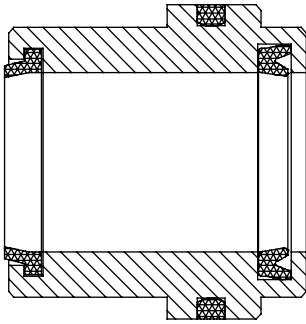
Cylinder Assembly and Tie Rod Torque

### ASP Series

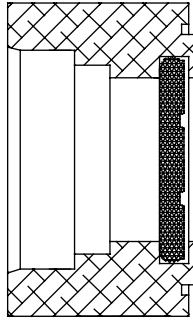
Part #	Description	Parts included in:		
		Seal Kit	Repair Kit	Piston/Rod Assembly
1	Rod Wiper	X		
2	Rod Seal	X		
3	Bushing O-ring	X		
4	Bushing			
5	Loaded Bushing Assembly		X	
6	Cap			
7	Head			
8	Tube End Seals	X	X	
9	Head and Cap Cushion Seals	X	X	
10	Bushing Retainer			
11	Retainer Screws			
12	Head Cushion Needle			
13	Cap Cushion Needle			
14	Sleeve Nuts			
15	Hex Nuts			
16	Tie Rods			
17	Rod			X
18	Piston			X
19	Head Cushion Spear			X
20	Cap Cushion Spear			X
21	Tube			
22	Wearband	X	X	
23	Back-up Rings	X	X	
24	Piston Seal	X	X	



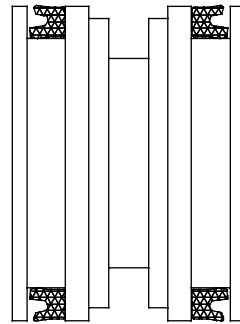
### Seal Installation Guide



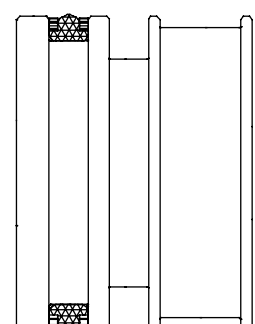
Loaded Bushing



Cushioned Head or Cap



Low Breakaway Piston



T-Seal Piston

#### Torque Tolerances (lbs-ft) Tie Rod Nut and Sleeve Nut Part #14 & #15

Bore	Min.	Max.
1-1/2"	8	10
2"	15	20
2-1/2"	15	20
3-1/4"	23	30
4"	23	30
5"	50	60
6"	50	60
8"	80	90
10"	200	220
12"	200	220
14"	300	330

#### Retainer Screws Torque Tolerances (lbs-ft) Part #11

Size	Min.	Max.
#10-32	1	1.5
1/4-28	5	7
5/16-24	10	12
1/2-20	15	20

Note: Sinker Tubes are not included in kits.  
They can be ordered using the part numbers  
from the provided chart.

#### Sinker Tube Part Numbers

Bore	Part #
1-1/2"	A06-K91
2"	A06-L91
2-1/2"	A06-M91
3-1/4"	A06-P91
4"	A06-R91
5"	A06-T91
6"	A06-U91
8"	A06-W91
10"	A06-X91
12"	A06-Y91
14"	A06-B91

Air-Oil Systems, Inc. www.airoil.com

# NUMATICS

*World Class Supplier  
of Pneumatic Components*



## WORLD HEADQUARTERS

### USA

#### Numatics, Incorporated

46280 Dylan Drive  
Novi, Michigan 48377

P: 1-888-Numatics  
1-888-686-2842

### Canada

#### Numatics, Ltd

P: 519-452-1777

### Mexico

#### Numatics de Mexico S.A. de C.V.

P: 52-222-284-6176

For a comprehensive listing of all Numatics production and distribution facilities worldwide, visit:

**[www.numatics.com](http://www.numatics.com)**