

rod locks

Rod Locking Units

NFPA and ISO/VDMA Rod Locks



NUMATICS

Table of Contents

| | |
|-------------------------------------|------|
| Rod Lock Series | 3-12 |
| Features and Benefits | 3 |
| Nu Lock Series | 4-7 |
| How to Order | 4 |
| Dimensions | 5 |
| Cylinder and Lock Information | 6 |
| Installation Information | 7 |
| RL Series | 8-11 |
| How to Order | 8 |
| Dimensions | 9 |
| Cylinder and Lock Information | 10 |
| Installation Information | 11 |
| Switch information | 12 |

Air-Oil Systems, Inc. www.airoil.com



Rod Lock Units are often used to hold a cylinder load stationary during Emergency Stop (E- Stop) conditions. They are also designed to mechanically lock a cylinder piston rod in the event of an air supply failure. Use caution when applying a Rod Lock unit. The Rod Lock should not be used to “brake” the cylinder piston rod in dynamic conditions. Additionally, the lock must only be applied when movement has ceased.

We offer two different Rod Locking units. The *Nu* Lock Series and the RL Series. Both units can be used with our NFPA Interchange cylinder line (A Series) as well as with our ISO 6431 and VDMA 24562 cylinder line.

Nu Lock Series

Standard Specifications:

- Economical OEM type rod lock
- Compact profile
- NFPA sizes: 1-1/2" to 5" bores
- VDMA sizes: 32 mm to 125 mm bores
- Clamping force on all *Nu* Lock Series units is equal to the area of the cylinder piston at 145 psi (10 Bar)
- Minimum unlocking air pressure is 45 psi (3 Bar)
- All standard NFPA and ISO/VDMA mounting accessories can be used with the *Nu* Lock Series installed on the cylinder
- Temperature rating: -10° F to 165° F



RL Series

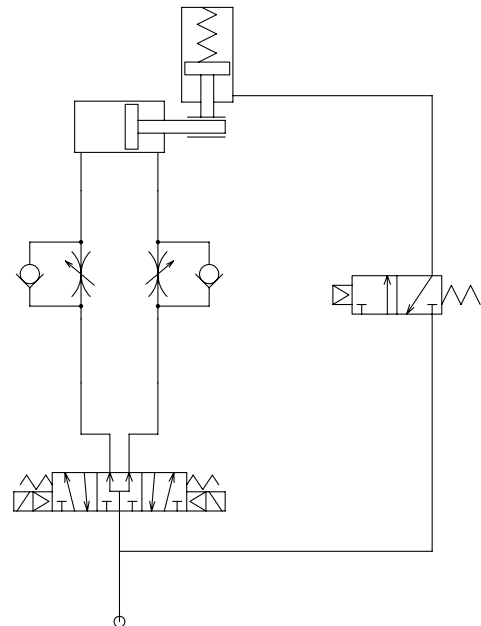
Standard Specifications:

- Unique tilting plate, spring-to-lock mechanism
- NFPA sizes: 1-1/2" to 5" bores
- VDMA sizes: 32 mm to 125 mm bores
- Magnet on unlocking piston is standard
- Clamping force on all RL Series units is equal to the area of the cylinder piston at 100 psi
- Manual override is standard
- Unlocking air pressure is 60 psi (4 Bar) minimum
- All standard NFPA and ISO/VDMA mounting accessories can be used with the RL Series installed on the cylinder
- Temperature rating: -10° F to 165° F

NOTE: See specific rod lock product sections for detailed installation and cylinder material specification.

Recommended Rod Lock Air Circuit Diagram

The air circuit shown below is recommended for operation of a locking unit. This circuit shows a cylinder in the locked position with the air supply shut off.





Nu Lock Series Rod Locking Units

NUMATICS®

The **Nu Lock Series** is a comprehensive rod lock product line that is designed with safety in mind. The cutting edge design allows for effortless load holding during Emergency Stop (E- Stop) conditions. Additionally, it is an OEM type rod locking unit that is specifically designed to give our customers an economical alternative. It is also designed to mechanically lock a cylinder piston rod in the event of an air supply failure. Use caution when applying the Nu Lock Series rod lock unit. It should not be used to “brake” the cylinder piston rod in dynamic conditions. Additionally, the lock must only be applied when movement has ceased.

Nu Lock Series Standard Specifications:

- Economical OEM type rod lock
- Compact profile
- NFPA sizes: 1-1/2" to 5" bores
- VDMA sizes: 32 mm to 125 mm bores
- Minimum unlocking air pressure is 45 psi (3 Bar)
- Maximum unlocking air pressure is 90 psi (6 Bar)
- Clamping force on all Nu Lock Series units is equal to the area of the cylinder piston at 145 psi (10 Bar)
- All standard NFPA and ISO/VDMA mounting accessories can be used with the RL Series installed on the cylinder
- Temperature rating: -10° F to 165° F

The Nu Lock Series individual locking units are recommended for replacement use only. This particular unit must be used with a chrome plated steel cylinder piston rod. Consult factory for additional details.



How to Order

Nu Lock Series Rod Lock Units

BM I / 032

Type

- A = NFPA
- I = ISO/VDMA

Cylinder Bore Size

- 032 = 32 mm (ISO/VDMA)
- 040 = 40 mm (ISO/VDMA)
- 050 = 50 mm (ISO/VDMA)
- 063 = 63 mm (ISO/VDMA)
- 080 = 80 mm (ISO/VDMA)
- 100 = 100 mm (ISO/VDMA)
- 125 = 125 mm (ISO/VDMA)
- K = 1-1/2" (NFPA)
- L = 2" (NFPA)
- M = 2-1/2" (NFPA)
- P = 3-1/4" (NFPA)
- R = 4" (NFPA)
- T = 5" (NFPA)

NFPA

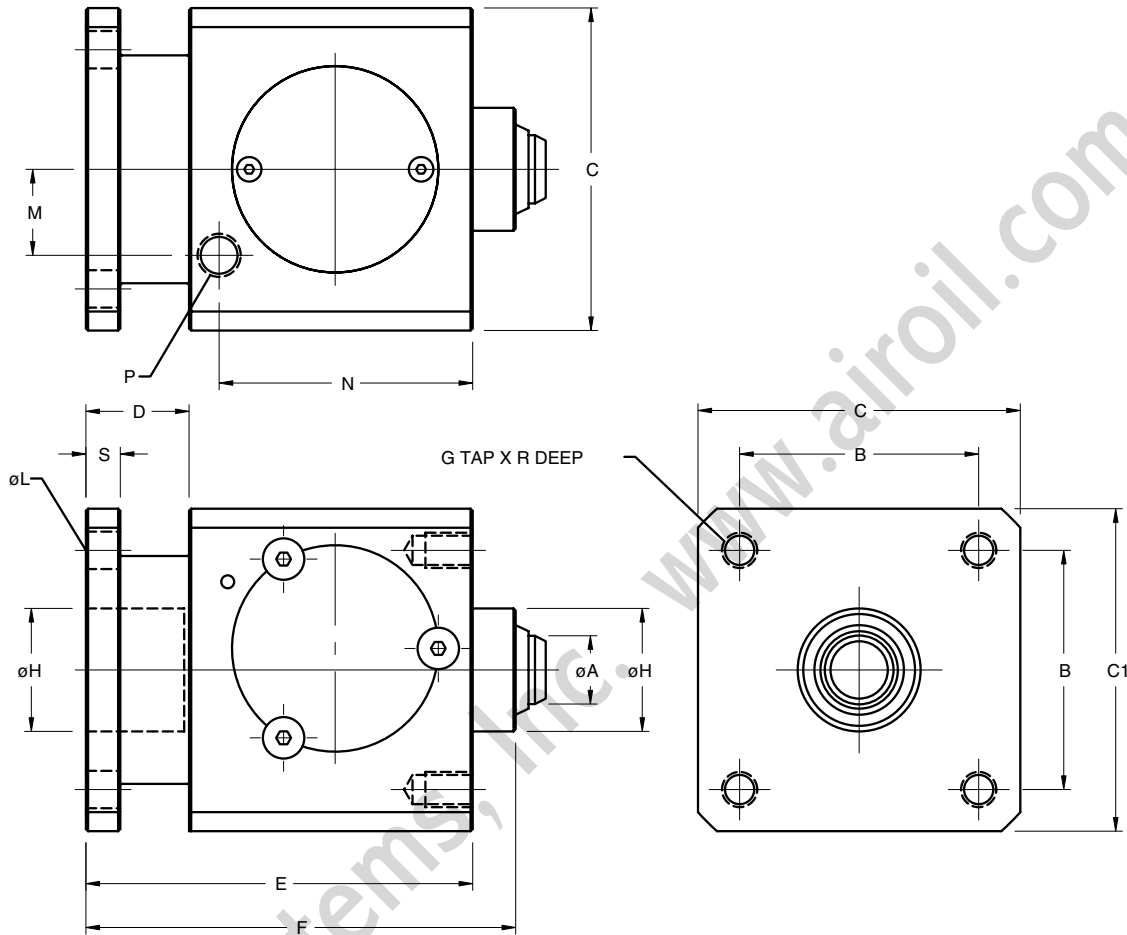
1. A Series cylinders with “YA” in the option code include the Nu Lock Series rod lock unit **assembled** to the cylinder. Note that the cylinder includes the correct amount of rod extension.
2. A Series cylinders with “YE” in the option code includes a rod extension and sleeve nut mount on the head of the cylinder preparing it to install the Nu Lock Series rod lock unit.

ISO/VDMA

1. ISO/VDMA cylinders with “BMI” in the option code includes the Nu Lock Series rod lock unit **assembled** to the cylinder. Note that the cylinder includes the correct amount of rod extension.
2. ISO/VDMA cylinder with “BOI” in the option code includes a rod extension and sleeve nut mount on the head of the cylinder preparing it to install the Nu Lock Series rod lock unit.



Nu Lock Series



NFPA Locking Unit Dimensions (inches)

| PART NO. | BORE | ØA* | B | C | C1 | D | E | F | G | ØH | ØL | M | N | P | R | S | WEIGHT lb |
|----------|--------|-------|-------|-------|-------|-------|-------|-------|-------------|-------|-------|-------|------|----------|-------|-------|--------------|
| BMA/K | 1-1/2" | 0.625 | 1.430 | 2.000 | 1.950 | 0.787 | 2.756 | 3.150 | 1/4-28 UNF | 1.125 | 0.283 | 0.709 | 1.69 | 1/8 NPTF | 0.354 | 0.236 | 1.33 |
| BMA/L | 2" | 0.625 | 1.840 | 2.500 | 2.450 | 0.945 | 3.543 | 3.937 | 5/16-24 UNF | 1.125 | 0.343 | 0.787 | 2.28 | 1/8 NPTF | 0.551 | 0.315 | 2.43 |
| BMA/M | 2-1/2" | 0.625 | 2.190 | 2.950 | 2.950 | 0.945 | 3.543 | 3.937 | 5/16-24 UNF | 1.125 | 0.343 | 0.787 | 2.32 | 1/8 NPTF | 0.551 | 0.315 | 3.31 |
| BMA/P | 3-1/4" | 1.000 | 2.760 | 3.740 | 3.700 | 1.260 | 4.330 | 4.724 | 3/8-24 UNF | 1.500 | 0.413 | 1.181 | 2.71 | 1/4 NPTF | 0.630 | 0.472 | 5.73 |
| BMA/R | 4" | 1.000 | 3.320 | 4.490 | 4.450 | 1.260 | 4.330 | 4.724 | 3/8-24 UNF | 1.500 | 0.413 | 1.457 | 2.71 | 1/4 NPTF | 0.630 | 0.472 | 7.71 |
| BMA/T | 5" | 1.000 | 4.100 | 5.430 | 5.430 | 1.770 | 5.512 | 5.906 | 1/2-20 UNF | 1.500 | 0.413 | 1.969 | 3.32 | 1/4 NPTF | 0.827 | 0.787 | 14.33 |

ISO/VDMA Locking Unit Dimensions (mm)

| PART NO. | BORE | ØA* | B | C | C1 | E | F | G | ØH | ØL | M | N | P | R | S | WEIGHT kg |
|----------|--------|------|-------|-------|-------|-------|-------|-----|------|------|------|-------|--------|------|------|--------------|
| BMI/032 | 32 mm | 12.0 | 32.5 | 47.0 | 47.0 | 60.0 | 67.5 | M6 | 30.0 | 6.5 | 14.5 | 33.25 | 1/8" G | 8.0 | 6.0 | 0.4 |
| BMI/040 | 40 mm | 16.0 | 38.0 | 54.0 | 54.0 | 70.0 | 80.0 | M6 | 34.5 | 6.5 | 18.0 | 42.50 | 1/8" G | 8.0 | 6.0 | 0.6 |
| BMI/050 | 50 mm | 20.0 | 46.5 | 65.0 | 65.0 | 90.0 | 100.0 | M8 | 40.0 | 9.0 | 20.0 | 58.00 | 1/8" G | 12.0 | 8.0 | 1.1 |
| BMI/063 | 63 mm | 20.0 | 56.5 | 75.0 | 75.0 | 90.0 | 100.0 | M8 | 45.0 | 9.0 | 20.0 | 59.00 | 1/8" G | 12.0 | 8.0 | 1.5 |
| BMI/080 | 80 mm | 25.0 | 72.0 | 95.0 | 95.0 | 110.0 | 120.0 | M10 | 45.0 | 11.0 | 30.0 | 69.00 | 1/4" G | 16.0 | 12.0 | 2.6 |
| BMI/100 | 100 mm | 25.0 | 89.0 | 114.0 | 114.0 | 110.0 | 120.0 | M10 | 55.0 | 11.0 | 37.0 | 69.00 | 1/4" G | 16.0 | 12.0 | 3.5 |
| BMI/125 | 125 mm | 32.0 | 110.0 | 138.0 | 138.0 | 140.0 | 156.0 | M12 | 60.0 | 14.0 | 50.0 | 84.50 | 1/4" G | 20.0 | 20.0 | 6.5 |

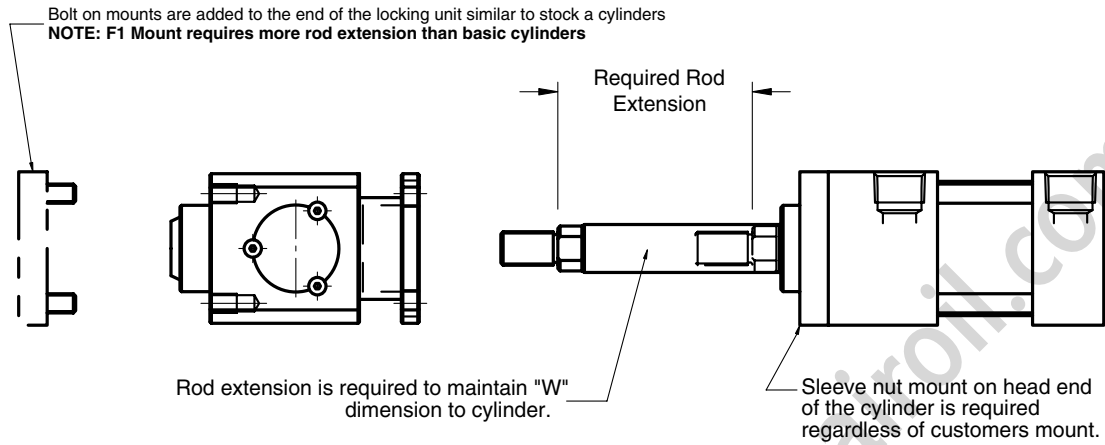
* Dimension denotes cylinder piston rod diameter.



Nu Lock Series Rod Locking Units

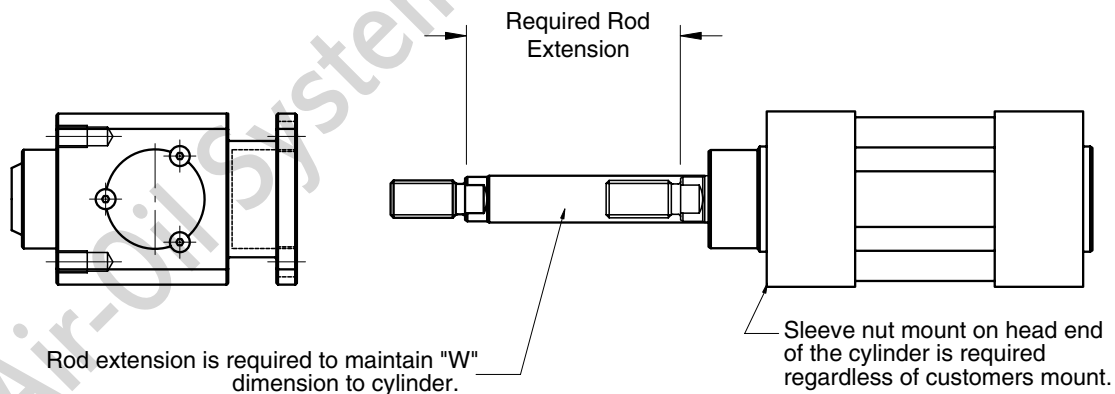
NUMATICS®

Cylinder and Lock Information NFPA - A Series



| BORE SIZE | STANDARD MOUNT ROD EXTENSION | F1 MOUNT ROD EXTENSION |
|------------|------------------------------|------------------------|
| 1-1/2" (K) | 2.756 | 3.131 |
| 2" (L) | 3.543 | 3.918 |
| 2-1/2" (M) | 3.543 | 3.918 |
| 3-1/4" (P) | 4.330 | 4.955 |
| 4" (R) | 4.330 | 4.955 |
| 5" (T) | 5.512 | 6.137 |

ISO/VDMA



| BORE SIZE (mm) | STANDARD MOUNT ROD EXTENSION |
|----------------|------------------------------|
| 32 | 60.0 |
| 40 | 70.0 |
| 50 | 90.0 |
| 63 | 90.0 |
| 80 | 110.0 |
| 100 | 110.0 |
| 125 | 140.0 |



Installation of a Nu Lock and Cylinder Combination

The Nu Lock unit is not equipped with a manual override. Therefore, to extend and/or retract the piston rod with the locking unit installed requires air pressure to be applied to the supply port of the Nu Lock unit. This pressure must be in a range of 45 to 90 psi. Once unlocked, the cylinder piston rod can be extended and/or retracted as desired for the setup of the machine.

Air-Oil Systems, Inc. www.airoil.com



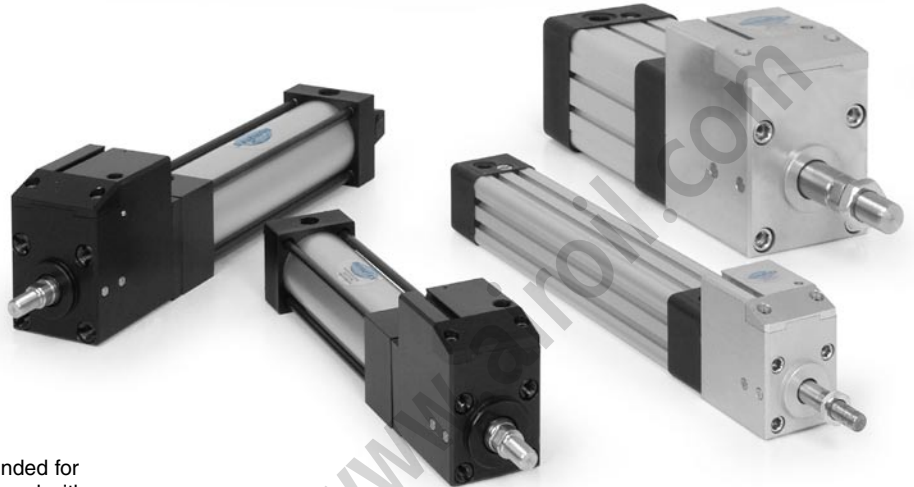
RL Series Rod Locking Units

The **RL Series** is a complete rod lock product line that is designed with safety and protection in mind. The unique tilting plate, spring-to-lock mechanism allows for effortless load holding during Emergency Stop (E- Stop) conditions. It is also designed to mechanically lock a cylinder piston rod in the event of an air supply failure. Use caution when applying the RL Series rod lock unit. It should not be used to "brake" the cylinder piston rod in dynamic conditions. Additionally, the lock must only be applied when movement has ceased.

RL Series Standard Specifications:

- Unique tilting plate, spring-to-lock mechanism
- NFPA sizes: 1-1/2" to 5" bores
- VDMA sizes: 32 mm 125 mm bores
- Magnet on unlocking piston is standard
- Clamping force on all RL Series units is equal to the area of the cylinder piston at 100 psi (7 Bar)
- Manual override is standard
- Unlocking air pressure is 60 psi (4 Bar) minimum
- All standard NFPA and ISO/VDMA mounting accessories can be used with the RL Series installed on the cylinder
- Temperature rating: -10° F to 165° F

The RL Series individual locking units are recommended for replacement use only. This particular unit must be used with a stainless steel, non-chrome plated cylinder piston rod. Consult factory for additional details.



How to Order RL Series

BM N / L

Type

- N = NFPA
- V = ISO/VDMA

Cylinder Bore Size

- 032 = 32 mm (ISO/VDMA)
- 040 = 40 mm (ISO/VDMA)
- 050 = 50 mm (ISO/VDMA)
- 063 = 63 mm (ISO/VDMA)
- 080 = 80 mm (ISO/VDMA)
- 100 = 100 mm (ISO/VDMA)
- 125 = 125 mm (ISO/VDMA)
- K = 1-1/2" (NFPA)
- L = 2" (NFPA)
- M = 2-1/2" (NFPA)
- P = 3-1/4" (NFPA)
- R = 4" (NFPA)
- T = 5" (NFPA)

NFPA

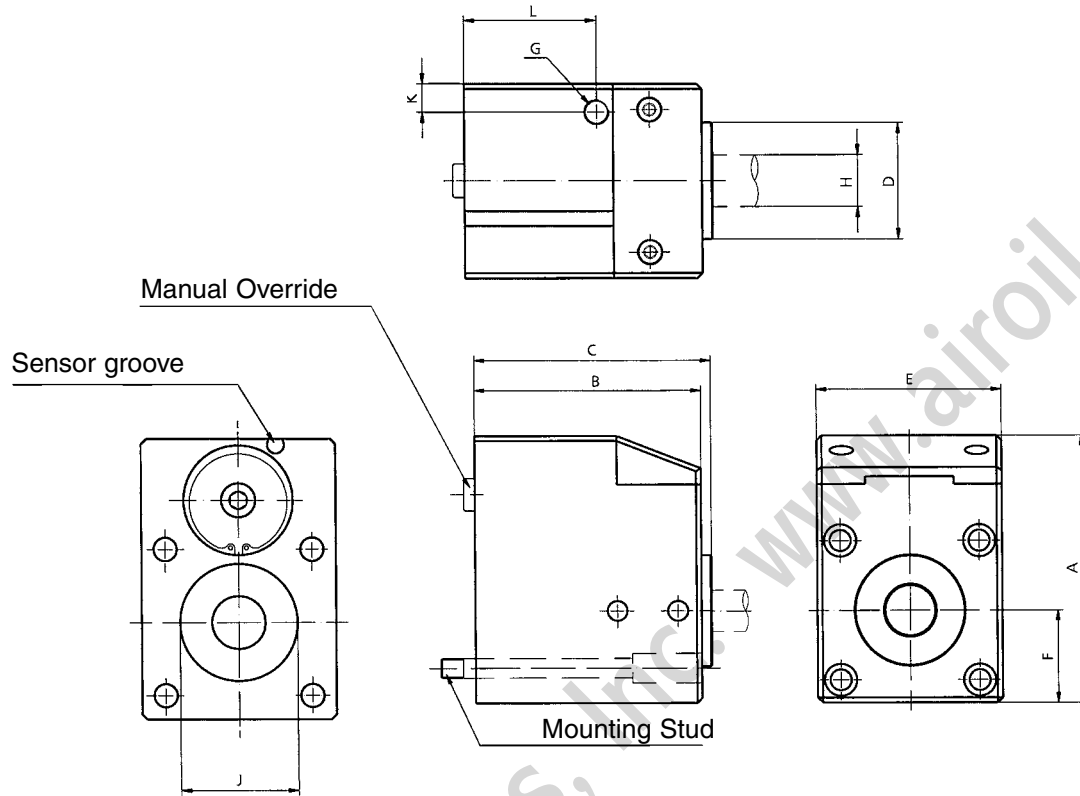
1. A Series cylinders with "YN" in the option code include the RL Series rod lock unit **assembled** to the cylinder. Note that the cylinder includes the correct amount of rod extension.
2. A Series cylinders with "YR" in the option code includes a rod extension and sleeve nut mount on the head of the cylinder preparing it to install the RL Series rod lock unit.

ISO/VDMA

1. ISO/VDMA cylinders with "BMV" in the option code includes the RL Series rod lock unit **assembled** to the cylinder. Note that the cylinder includes the correct amount of rod extension.
2. ISO/VDMA cylinder with "B0V" in the option code includes a rod extension and sleeve nut mount on the head of the cylinder preparing it to install the RL Series rod lock unit.



RL Series



NFPA Locking Unit Dimensions (inches)

| PART NO. | CYLINDER BORE SIZE | A | B | C | D | E | F | G | H* | J | K | L | WEIGHT lb. |
|----------|--------------------|------|------|------|-------|------|------|----------|------|-------|------|------|------------|
| BMN/K | 1-1/2" | 3.15 | 2.56 | 2.72 | 1.375 | 2.03 | 1.03 | 1/8" NPT | 0.63 | 1.127 | 0.31 | 1.44 | 1.5 |
| BMN/L | 2" | 3.70 | 3.07 | 3.23 | 1.375 | 2.50 | 1.25 | 1/8" NPT | 0.63 | 1.127 | 0.36 | 1.78 | 2.6 |
| BMN/M | 2-1/2" | 4.25 | 3.62 | 3.78 | 1.375 | 2.95 | 1.48 | 1/8" NPT | 0.63 | 1.127 | 0.43 | 2.03 | 4.2 |
| BMN/P | 3-1/4" | 5.24 | 4.06 | 4.21 | 2.706 | 3.74 | 1.87 | 1/8" NPT | 1.00 | 1.500 | 0.63 | 2.13 | 7.7 |
| BMN/R | 4" | 6.42 | 5.24 | 5.39 | 2.706 | 4.49 | 2.24 | 1/4" NPT | 1.00 | 1.500 | 0.73 | 2.52 | 14.6 |
| BMN/T | 5" | 7.60 | 6.85 | 7.01 | 2.706 | 5.51 | 2.76 | 1/4" NPT | 1.00 | 1.500 | 0.79 | 3.66 | 22.9 |

ISO/VDMA Locking Unit Dimensions (mm)

| PART NO. | CYLINDER BORE SIZE | A | B | C | D | E | F | G | H* | J | K | L | WEIGHT kg |
|----------|--------------------|-------|-------|-------|------|-------|------|-------|------|------|------|------|-----------|
| BMV/032 | 32 mm | 70.0 | 60.0 | 64.0 | 30.0 | 47.0 | 23.5 | M5 | 12.0 | 30.0 | 8.0 | 36.0 | 0.47 |
| BMV/040 | 40 mm | 80.0 | 65.0 | 69.0 | 35.0 | 51.5 | 26.0 | 1/8"G | 16.0 | 35.0 | 8.0 | 36.5 | 0.69 |
| BMV/050 | 50 mm | 94.0 | 78.0 | 82.0 | 40.0 | 63.5 | 32.5 | 1/8"G | 20.0 | 40.0 | 9.2 | 45.2 | 1.20 |
| BMV/063 | 63 mm | 108.0 | 92.0 | 96.0 | 45.0 | 75.0 | 37.5 | 1/8"G | 20.0 | 45.0 | 11.0 | 51.5 | 1.90 |
| BMV/080 | 80 mm | 133.0 | 103.0 | 107.0 | 45.0 | 95.0 | 47.5 | 1/8"G | 25.0 | 45.0 | 16.0 | 54.0 | 3.50 |
| BMV/100 | 100 mm | 163.0 | 133.0 | 137.0 | 55.0 | 114.0 | 57.5 | 1/4"G | 25.0 | 55.0 | 18.5 | 64.0 | 6.60 |
| BMV/125 | 125 mm | 193.0 | 174.0 | 178.0 | 60.0 | 140.0 | 70.0 | 1/4"G | 32.0 | 60.0 | 20.0 | 93.0 | 10.40 |

* Dimension denotes cylinder piston rod diameter.



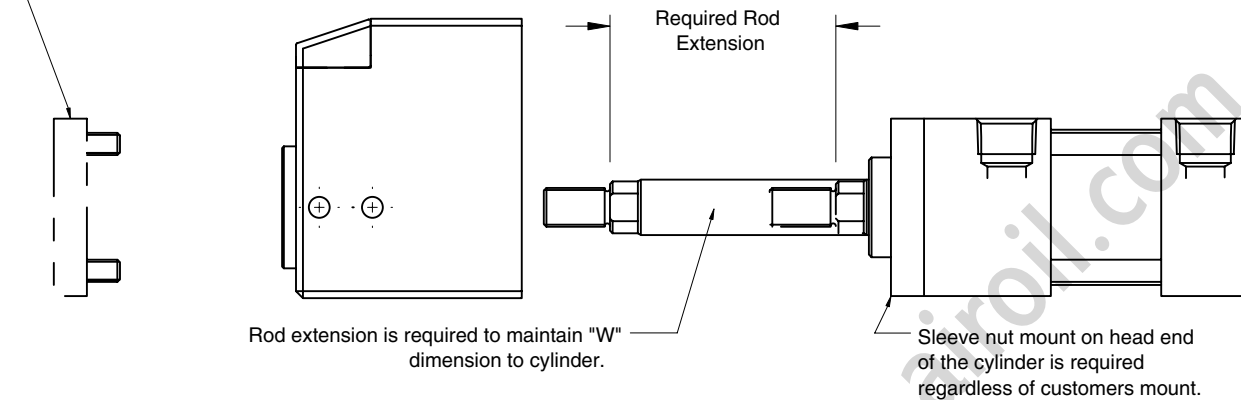
RL Series Rod Locking Units

NUMATICS®

Cylinder and Lock Information

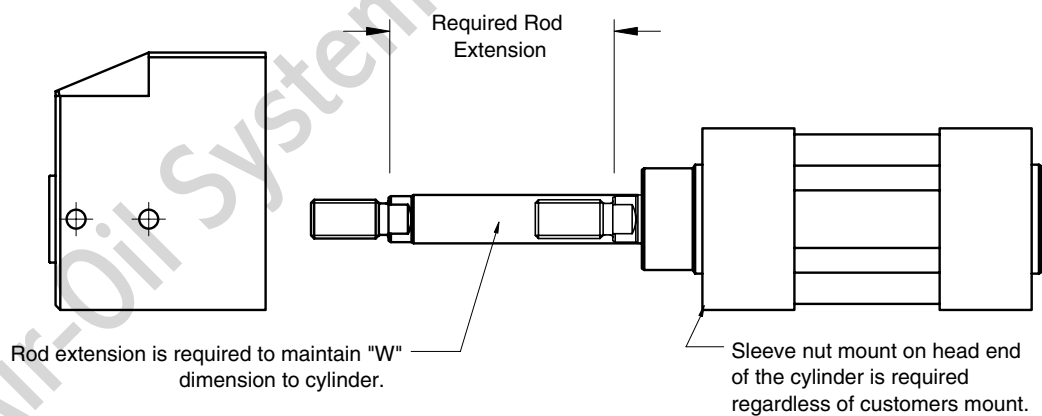
NFPA - A Series

Bolt on mounts are added to the end of the locking unit similar to stock cylinders.
NOTE: F1 mount requires more rod extension than basic cylinders



| BORE SIZE | STANDARD MOUNT ROD EXTENSION | F1 MOUNT ROD EXTENSION |
|------------|------------------------------|------------------------|
| 1-1/2" (K) | 2.56 | 2.94 |
| 2" (L) | 3.07 | 3.44 |
| 2-1/2" (M) | 3.62 | 4.00 |
| 3-1/4" (P) | 4.06 | 4.69 |
| 4" (R) | 5.24 | 5.88 |
| 5" (R) | 6.85 | 7.50 |

ISO/VDMA



| BORE SIZE (mm) | STANDARD MOUNT ROD EXTENSION |
|----------------|------------------------------|
| 32 | 60.0 |
| 40 | 65.0 |
| 50 | 78.0 |
| 63 | 92.0 |
| 80 | 103.0 |
| 100 | 133.0 |
| 125 | 174.0 |



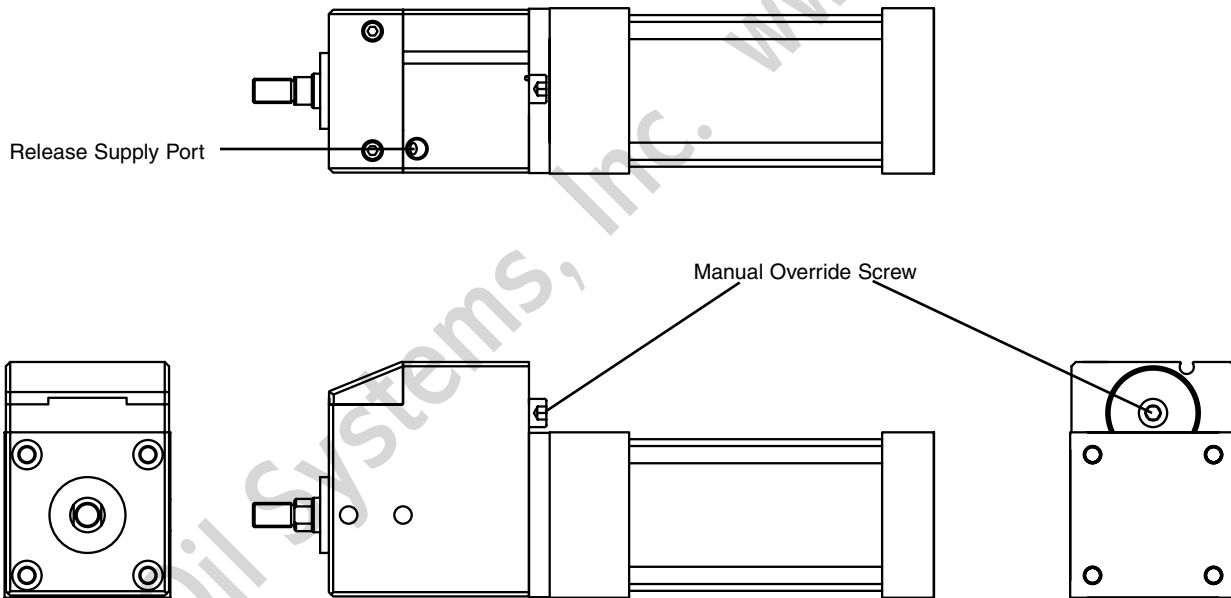
RL Series Installation Instructions

1. Manual Override

The RL Series rod locking units are shipped with a manual override screw installed. This is the metric socket head cap screw shown on the back of the housing in the diagram below. The manual override allows the cylinder piston rod to be moved for setup of the machine the cylinder is utilized on. Once the cylinder and locking unit are in place, the screw can be loosened. To release the screw, first apply a minimum of 60 psi to the release supply port as shown in the diagram below. Loosen the screw by turning it counterclockwise. To reinstall the manual override, again apply air pressure and tighten the screw clockwise.

2. Normal Operation

With the manual override released and a minimum of 60 psi to the release supply port, the cylinder should stroke normally. If air pressure is lost to the release supply port, the spring in the locking unit will activate clamps to hold the cylinder from moving.



Warning:

The locking unit is not a safety element.
The user must take relevant safety precautions.

Spring tension within the locking unit is extremely high!
Remove protection ring on piston only when release screw has been inserted and previously tightened.



RL Series Rod Locking Units

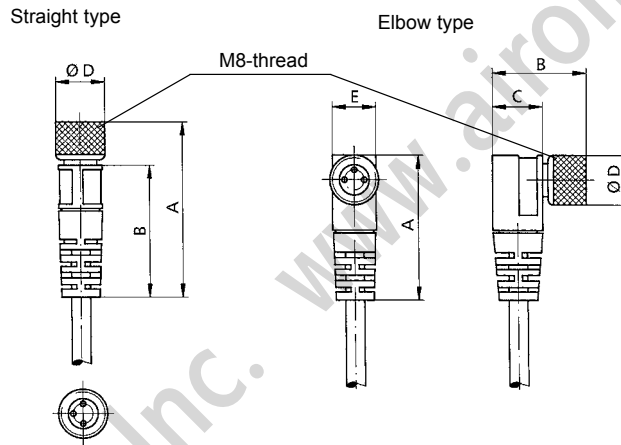
NUMATICS®

RL Series Switch Information

| Cylinders | Bore | Bracket | Switches | | | | | |
|--------------------|------|---------|------------|------------|------------|------------|------------|------------|
| | | | SRR-C02 | SRR-W20 | SPR-C02 | SPR-W20 | SNR-C02 | SNR-W20 |
| RL Series switches | All | | Direct Fit | Direct Fit | Direct Fit | Direct Fit | Direct Fit | Direct Fit |

NOTE: See page 13 for dimensional and technical data

Cords M8-thread for Switches and Sensors with Connector

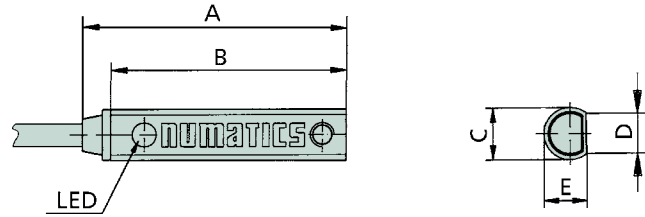


Dimensions (mm)

| Type | | A | B | C | D | E | Weight (approx. kg) | Order Code |
|------------------------|---------------------------|------|------|-----|-----|-----|------------------------|---------------|
| Straight with 5m-cable | (3x0.25 mm ²) | 32.3 | 24.4 | — | 9.0 | — | 0.143 | SC6-001 |
| Elbow with 5m-cable | (3x0.25 mm ²) | 26.3 | 17.1 | 9.2 | 9.0 | 8.0 | 0.145 | SC6-002 |



LP Series for Cylinders of Profile Type K Series, ISO 6341/VDMA 24562, RL Lock



Electronic Sensor

| (3 WIRE TYPE) (mm) | | A | B | C | D | E | ORDER CODE |
|---|----------|------|------|-----|-----|-----|------------|
| 27 cm cable made from PVC with M8x1 mm plug | (PNP NO) | | | | | | SPR-C02 |
| 2 m cable made from PVC, 3x0.14 mm ² | (PNP NO) | 33.0 | 29.5 | 6.5 | 5.0 | 5.3 | SPR-W20 |
| 27 cm cable made from PVC with M8x1 mm plug | (NPN NO) | | | | | | SNR-C02 |
| 2 m cable made from PVC, 3x0.14 mm ² | (NPN NO) | | | | | | SNR-W20 |

Reed Switch

| (2 WIRE TYPE) (mm) | | A | B | C | D | E | ORDER CODE |
|---|----------|------|------|-----|-----|-----|------------|
| 27 cm cable made from PVC with M8x1 mm plug | (SRR NO) | 33.0 | 29.5 | 6.5 | 5.0 | 5.3 | SRR-C02 |
| 2 m cable made from PVC, 3x0.14 mm ² | (SRR NO) | | | | | | SRR-W20 |

Technical Data

| ELECTRONIC SENSOR | | REED SWITCH | |
|--|---------------------------------|--|------------------------------------|
| PNP NO | NPN NO | SRR NO | |
| | | | L 1/4 AC/DC N/- |
| Operating Voltage U_g | 10-30 V DC | 27 cm cable with M8 x 1 mm plug 2 m cable | 10-50 V AC/60VDC 10-120 V AC/DC |
| Residual Ripple | $\leq 10\% U_g$ | | |
| Voltage Decrease U_d (with I_a max.) | ≤ 2 V | | ≤ 3 V |
| Current Absorption (not activated) | ≤ 10 mA | | |
| Switching Current I_a | < 150 mA | | < 100 mA |
| Response Sensitivity | approx. 3 mT | | approx. 3 mT |
| EMV to: | EN 60947-5-2 | | EN 60947-5-2 |
| Wire Breakage Protection | Yes | | — |
| Short Circuit Protection | Yes | | — |
| Reverse Polarity Protection | Yes | | Yes |
| Power-Up Pulse Suppression | Yes | | — |
| Protection to DIN 40050 | IP67 | | IP67 |
| Shock and Vibration Resistance | 30 g, 11 ms, 10 to 55 Hz, 1mm | | 30 g, 11 ms, 10 to 55 Hz, 1mm |
| Ambient Temperature T_a | -10°F to 165°F (-25°C to +75°C) | | -10°F to 165°F (-25°C to +75°C) |

Attention:

- With CD-operation LED only illuminates when switch is correctly polarized.
- Never operate sensor W/O load.
- When switching higher capacitive and inductive loads, protection measures are to be taken

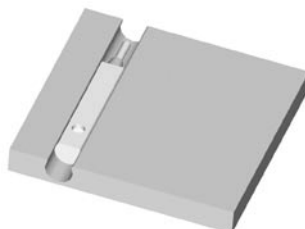
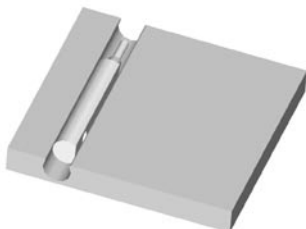
Sensors

Mounting of Switches with LP Profile

1. Put sensor in the cylinder groove at any point.

2. Rotate it by 90°.

3. Tighten screw M3 (key 1.5 mm is included).



NUMATICS®

World Class Supplier
of Pneumatic Components



World Headquarters

Numatics Incorporated
Phone: 248-887-4111
Fax: 248-887-9190

UNITED STATES

Numatics – Air Preparation
Phone: 810-667-3900
Fax: 810-667-3902

Numatics – Valves

Phone: 248-887-4111
Fax: 248-887-9190

Numatics – Miniature Valves

Phone: 248-960-1400
Fax: 248-960-2160

Numatics – Cylinders

Phone: 615-771-1200
Fax: 615-771-1201

Numatics – Rodless Cylinders

Phone: 519-452-1777
Fax: 519-452-3995

Numatics – Automation

Phone: 440-934-3200
Fax: 440-934-2288

CANADA

Ontario
Numatics, Ltd.
Phone: 519-452-1777
Fax: 519-452-3995

Quebec

Numatics, Ltd.
Phone: 514-332-6444
Fax: 514-332-9273

British Columbia

Numatics, Ltd.
Phone: 604-574-0401
Fax: 604-574-3713

EUROPE

Germany – European Headquarters

Numatics GmbH
Phone: 011-49-22 41-31 60-0
Fax: 011-49-22 41-31 60 40

Hungary

Numatics Kft.
Phone: 011-36-13 82 21 35
Fax: 011-36-12 04 39 47

EUROPE

England

Numatics Limited
Phone: 011-44-1525-37 07 35
Fax: 011-44-1525-38 25 67

France

Numatics s.a.r.l.
Phone: 011-33-1 41 21 48 88
Fax: 011-33-1 41 21 48 89

Italy

Numatics srl
Phone: 011-39-030-373 19 99
Fax: 011-39-030-373 19 81

Netherlands

Numatics B.V.
Phone: 011-31-418-65 29 50
Fax: 011-31-418-65 29 43

Spain

Numatics Spain S.L.
Phone: 011-34-93-221 21 96
Fax: 011-34-93-221 35 14

AFRICA

South Africa

Numatics SA (Pty) Ltd.
Phone: 011-27-11-8 65 44 52
Fax: 011-27-11-8 65 42 90

LATIN & SOUTH AMERICA

Mexico

Numatics de Mexico S.A. de C.V.
Phone: 011-52-222-284 6176
Fax: 011-52-222-284 6179

Brazil

Valvair Comercial Ltda.
Phone: 011-55-12-351 2874
Fax: 011-55-12-351 1958

ASIA & PACIFIC

Australia

Numatics Australia Pty. Ltd.
Phone: 011-61-3-95 63 86 00
Fax: 011-61-3-95 63 85 11

Taiwan – Asian Headquarters

Numatics Co, Ltd. Asia
Phone: 011-886-2-29 15 16 05
Fax: 011-886-2-29 14 18 97

For a comprehensive listing of all Numatics production and distribution facilities worldwide, visit www.numatics.com