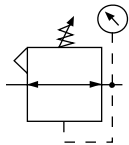
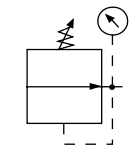


# Regulator

## R28



Relieving



Non-Relieving



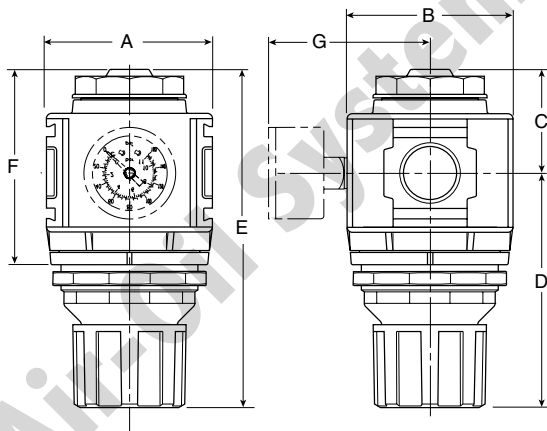
**R28-03-F0G0**

### Features

- Balanced Valve Design
- Spring-loaded Diaphragm
- 4 Adjusting Pressure Ranges Available
- 3/4" NPT / BSPP-G Over-port
- Reverse-flow Available
- 2 Gauge Ports

### **⚠ WARNING**

**Product rupture can cause serious injury.  
Do not connect regulator to bottled gas.  
Do not exceed maximum primary pressure rating.**



**NOTE:** 2.4" Dia. (61 mm) hole required for panel nut mounting.

### Dimensions

Models	Inches (mm)	A	B	C	D	E	F	G
Standard Unit R28-XX-F000		2.90 (73)	2.90 (73)	1.74 (44)	4.16 (105)	5.87 (149)	3.30 (84)	—
With Gauge R28-XX-F0G0		2.90 (73)	2.90 (73)	1.74 (44)	4.16 (105)	5.87 (149)	3.30 (84)	4.27 (108)

= "Most Popular"

### Specifications

Flow Capacity*	3/8	162 SCFM (76.5 dm <sup>3</sup> /s)
	1/2	170 SCFM (80.2 dm <sup>3</sup> /s)
	3/4	176 SCFM (83.1 dm <sup>3</sup> /s)
Adjusting Range Pressure	0 to 30 PSIG (0 to 2.1 bar)	
	0 to 60 PSIG (0 to 4.1 bar)	
	0 to 125 PSIG (0 to 8.6 bar)	
	0 to 250 PSIG (0 to 17.2 bar)	

Gauge Port (2 ea.)	NPT / BSPP-G	1/4
Maximum Supply Pressure		300 PSIG (20.7 bar)
Operating Temperature		32° to 150°F (0° to 65.5°C)
Port Size	NPT / BSPP-G	3/8, 1/2, 3/4
Weight	lb. (kg)	1.7 (0.77)

\* Inlet pressure 100 PSIG (6.9 bar). Secondary pressure 90 PSIG (6.2 bar).

### Materials of Construction

Adjustment Knob		Acetal
Body		Zinc
Body Cap		ABS
Bonnet		33% Glass-filled Nylon
Diaphragm Assembly		Nitrile / Zinc
Panel Nut		Acetal
Seals		Nitrile
Springs	Main Regulating Valve	Steel Stainless Steel
Valve Assembly		Brass / Nitrile / Acetal

### CAUTION:

**REGULATOR PRESSURE ADJUSTMENT** – The working range of knob adjustment is designed to permit outlet pressures within their full range. Pressure adjustment beyond this range is also possible because the knob is not a limiting device. This is a common characteristic of most industrial regulators, and limiting devices may be obtained only by special design.

For best performance, regulated pressure should always be set by increasing the pressure up to the desired setting.

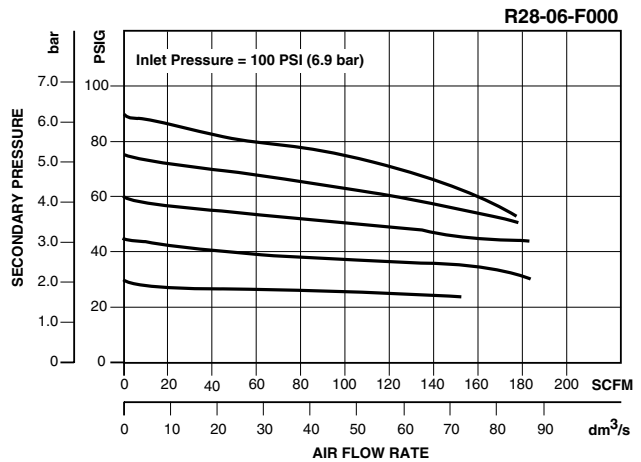
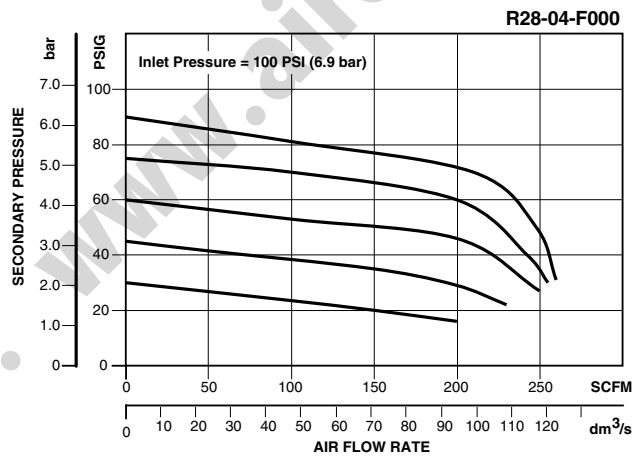
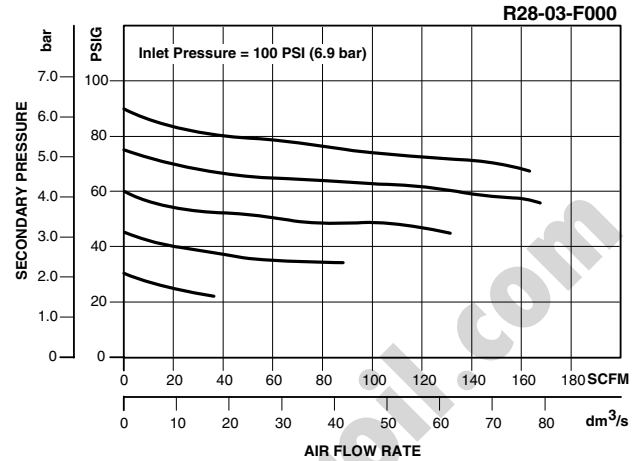
 = "Most Popular"

### Replacement Kits

- Diaphragm Assembly –
  - Non-relieving ..... RRP-96-987
  - Relieving ..... RRP-96-986
- Valve Assembly ..... RRP-96-049
- Adjusting Knob ..... RRP-16-341-000
- Spring, Regulating
  - 0 to 30 PSIG (0 to 2.1 bar) ..... RRP-96-163
  - 0 to 60 PSIG (0 to 4.1 bar) ..... RRP-96-164
  - 0 to 125 PSIG (0 to 8.6 bar) ..... RRP-96-165
  - 0 to 250 PSIG (0 to 17.2 bar) ..... RRP-96-166

### Accessories

- Panel Mount Nut –
  - Aluminum ..... RRP-96-674
  - Plastic ..... RRP-96-676
- Pressure Gauge –
  - 0-30 PSIG, 1-1/2" Dial Face, 1/4 NPT CBM ..... K4515N14030
  - 0-60 PSIG, 1-1/2" Dial Face, 1/4 NPT CBM ..... K4515N14060
  - 0-160 PSIG, 1-1/2" Dial Face, 1/4 NPT CBM ..... K4515N14160
  - 0-300 PSIG, 1-1/2" Dial Face, 1/4 NPT CBM ..... K4515N14300
  - 0-2,0 bar, 1-1/2" Dial Face, G 1/4 CBM ..... K4515G14030
  - 0-4,1 bar, 1-1/2" Dial Face, G 1/4 CBM ..... K4515G14060
  - 0-11 bar, 1-1/2" Dial Face, G 1/4 CBM ..... K4515G14160
  - 0-21 bar, 1-1/2" Dial Face, G 1/4 CBM ..... K4515G14290
- Tamper Resistant Kit ..... RRP-96-672
- Wall Mounting Bracket
  - L-Type ..... GPA-96-607
  - T-Type ..... GPA-96-602



### Ordering Information

Model Type	Port Size	With Gauge 5 to 125 PSIG (0.4 to 8.6 bar)	With Gauge 10 to 250 PSIG (0.7 to 17.2 bar)	With Gauge 3 to 60 PSIG (0.2 to 4.1 bar)	Without Gauge 5 to 125 PSIG (0.4 to 8.6 bar)	Without Gauge 10 to 250 PSIG (0.7 to 17.2 bar)	Without Gauge 3 to 60 PSIG (0.2 to 4.1 bar)
Relieving	3/8	R28-03-F0G0	R28-03-G0G0	R28-03-D0G0	R28-03-F000	R28-03-G000	R28-03-D000
	1/2	R28-04-F0G0	R28-04-G0G0	R28-04-D0G0	R28-04-F000	R28-04-G000	R28-04-D000
	3/4	R28-06-F0G0	R28-06-G0G0	R28-06-D0G0	R28-06-F000	R28-06-G000	R28-06-D000
Non-relieving	3/8	R28-03-R0G0	R28-03-S0G0	R28-03-W0G0	R28-03-R000	R28-03-S000	R28-03-W000
	1/2	R28-04-R0G0	R28-04-S0G0	R28-04-W0G0	R28-04-R000	R28-04-S000	R28-04-W000
	3/4	R28-06-R0G0	R28-06-S0G0	R28-06-W0G0	R28-06-R000	R28-06-S000	R28-06-W000

**Options** - To order an option supplied with the unit model, add the appropriate coded suffix letter in the designated position of the model number.

**B**