

RENCO INC. →  
CONTROLS

# RENCO INC.

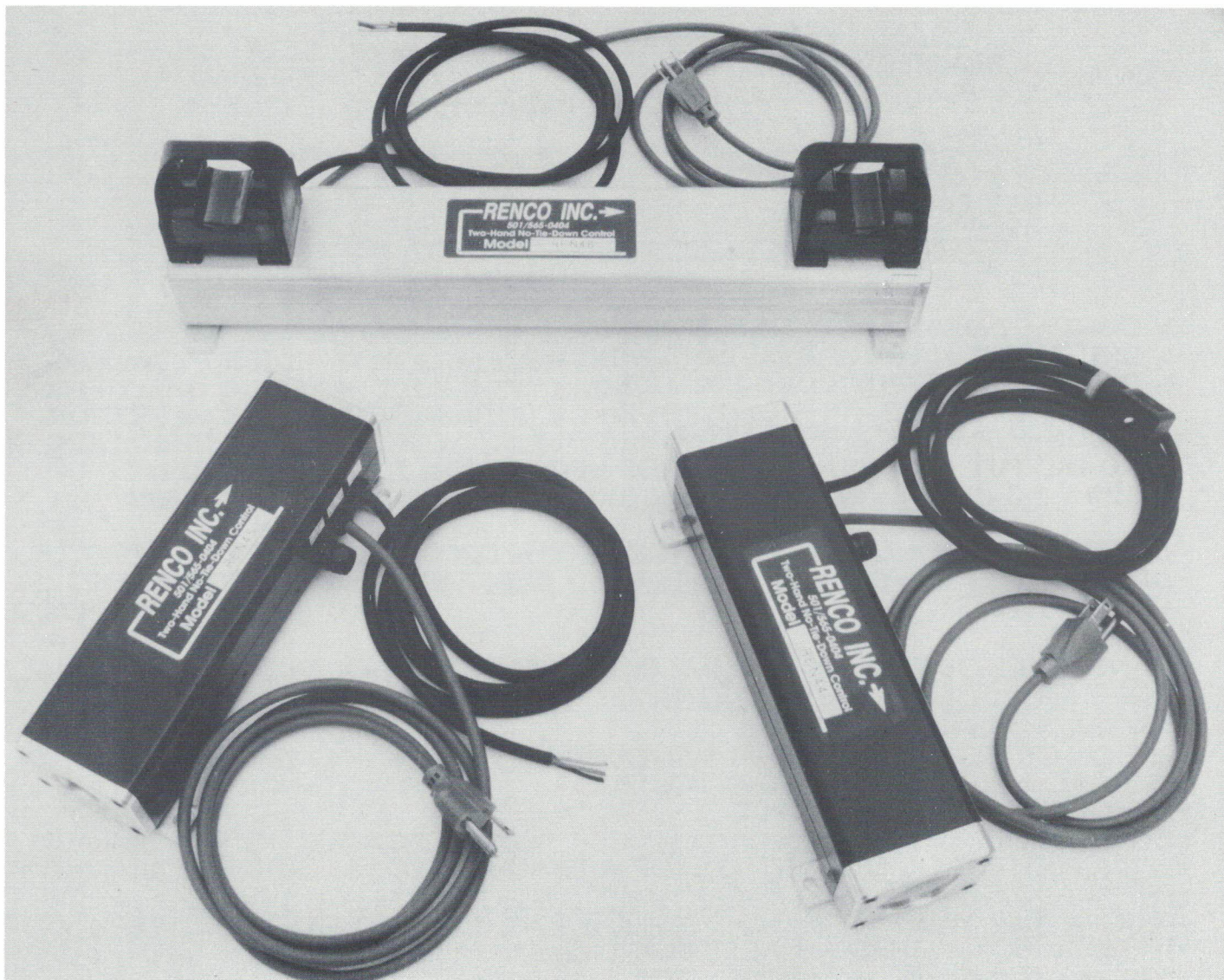
BULLETIN R103

**SERIES REN44, REN45\* & REN46\***

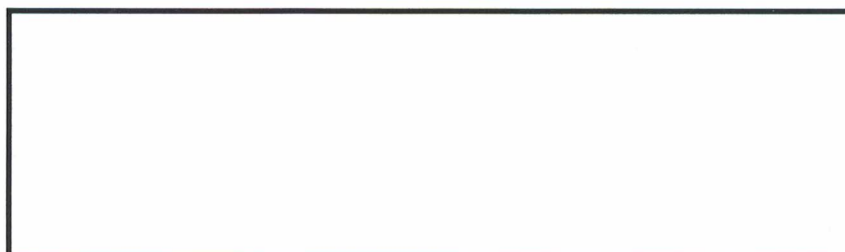
**ERGONOMICALLY DESIGNED  
ELECTRIC**

**\* WITH  
PHOTOELECTRIC  
SENSORS**

**TWO HAND NO TIE DOWN CONTROLS**



DISTRIBUTED BY:

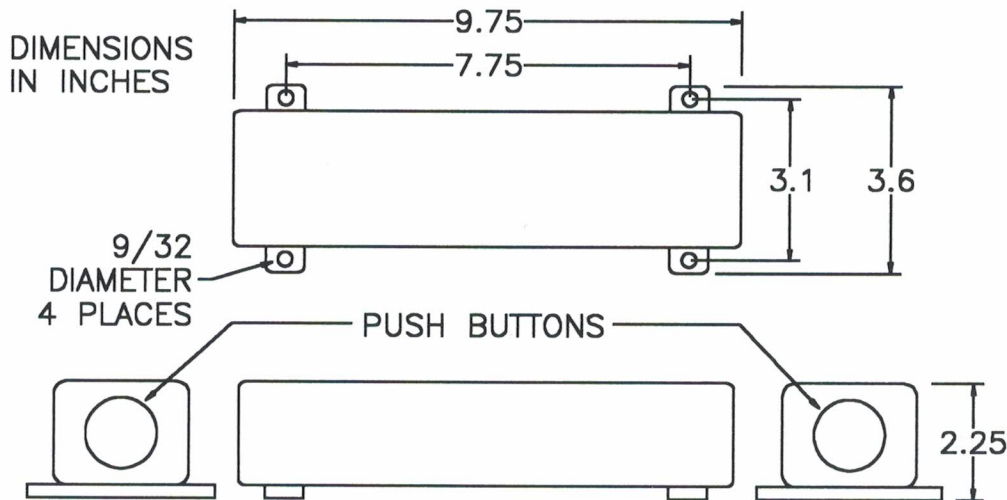


**MADE  
IN THE  
U.S.A.**



# SERIES REN44

WITH PUSH BUTTONS  
GIVES A MAINTAINED OUTPUT SIGNAL WHEN BOTH  
BUTTONS ARE PRESSED WITHIN .3 SECONDS AND HELD.



- **COMPACT DESIGN WITH 1-3/8" DIAMETER PUSH BUTTONS (RECESSED) .**
- **LIGHT ACTUATION PRESSURE (5 OUNCES).**
- **INPUT AND OUTPUT CORD INCLUDED.**
- **ROUNDED EDGES, NO SHARP EDGES OR CORNERS TO INJURE OPERATOR.**
- **QUICK AND SIMPLE INSTALLATION, BOLT THE CONTROL DOWN AND PLUG IN.**
- **NO OUTPUT IF CONTROL POWERED UP WITH BUTTONS PRESSED.**
- **120 V AC INPUT AND OUTPUT. OTHER CONFIGURATIONS AVAILABLE**

**OPTIONS ARE AVAILABLE, SOME ARE SHOWN BELOW. CALL YOUR DISTRIBUTOR OR FAX 501/565-4796 AND REQUEST BULLETIN EO103 FOR A COMPLETE LIST.**

- CANCELABLE OUTPUT, WHEN A LIMIT SWITCH IS MADE THE OUTPUT IS CANCELED.
- ONE SHOT, PULSED OUTPUT. BUTTONS MUST BE RELEASED AND REAPPLIED FOR ANOTHER OUTPUT.
- BUTTON GUARDS. GUARDS THAT SURROUND THE BUTTONS AND EXTEND 1/2".
- 120 V AC INPUT AND 24 VOLTS DC OUTPUT.
- 24 VOLT DC INPUT AND OUTPUT.
- CONTACT OUTPUT.
- EXTRA PUSH BUTTON MOUNTED ON TOP WITH AN ADDITIONAL OUTPUT.
- PNEUMATIC OUTPUT.
- PLUG-IN (DIN) VALVE SOLENOID CONNECTOR MOUNTED ON OUTPUT CORD.
- TERMINAL BOX, WITH TERMINAL STRIP AND (2) 1/2" NPT CONNECTIONS. NO CONNECTOR CORDS INCLUDED.

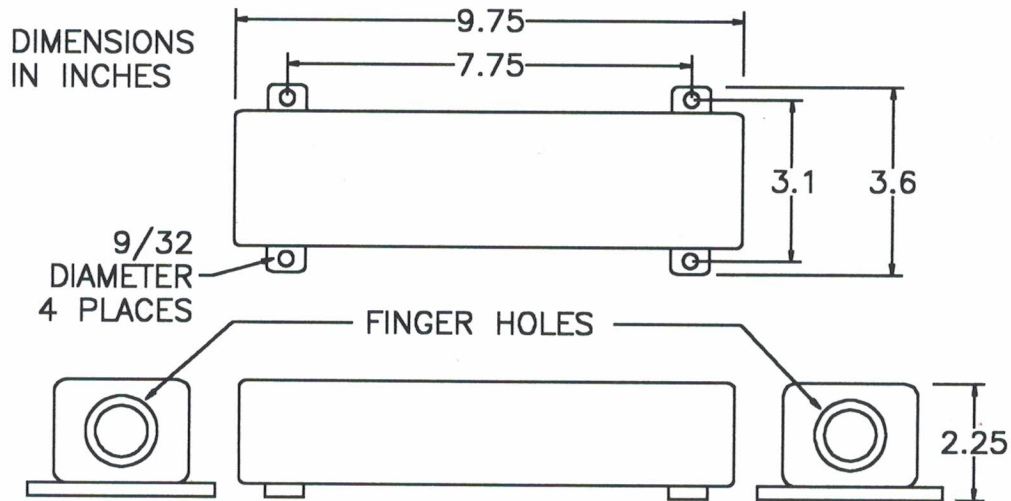
**WARNING:** ALL RENCO CONTROLS ARE DESIGNED TO OPERATE PNEUMATIC VALVES AND CYLINDERS. THEY ARE NOT TO BE USED WITH FLYWHEEL PRESSES, BRAKE PRESSES OR SIMILAR DEVICES. IT IS THE BUYERS RESPONSIBILITY TO DETERMINE THE USE AND MOUNTING LOCATION OF THIS DEVICE. THIS EQUIPMENT PERFORMS THE FUNCTION OF A TWO HAND NO TIE DOWN CONTROL ONLY, ALL OTHER PRESCRIBED SAFETY DEVICES MUST BE USED WITH THIS EQUIPMENT. IT IS THE BUYERS RESPONSIBILITY TO DETERMINE THE PROPER APPLICATION, LOCATION AND USE OF THIS EQUIPMENT.

**RENCO, INC.**

6719 ALCOA ROAD, BENTON, ARKANSAS 72015 USA 501/565-0404 FAX 501/565-4796

# SERIES REN45

**WITH PHOTOELECTRIC SENSORS.  
GIVES A MAINTAINED OUTPUT SIGNAL WHEN BOTH LIGHT  
BEAMS ARE BROKEN WITHIN .3 SECONDS AND HELD.**



- **INSERT FINGERS TO BREAK LIGHT BEAMS, NO PRESSURE REQUIRED.**
- **COMPACT DESIGN WITH 1" DIAMETER FINGER HOLES.**
- **INPUT AND OUTPUT CORDS INCLUDED.**
- **ROUNDED EDGES, NO SHARP EDGES OR CORNERS TO INJURE OPERATOR.**
- **QUICK AND SIMPLE INSTALLATION, BOLT THE CONTROL DOWN AND PLUG IN.**
- **NO OUTPUT IF CONTROL POWERED UP WITH BEAMS BROKEN.**
- **120 V AC INPUT AND OUTPUT. OTHER CONFIGURATIONS AVAILABLE**

**OPTIONS ARE AVAILABLE, SOME ARE SHOWN BELOW. CALL YOUR  
DISTRIBUTOR OR FAX 501/565-4796 AND REQUEST BULLETIN EO103 FOR A  
COMPLETE LIST.**

- CANCELABLE OUTPUT, WHEN A LIMIT SWITCH IS MADE THE OUTPUT IS CANCELED.
- ONE SHOT, PULSED OUTPUT. BUTTONS MUST BE RELEASED AND REAPPLIED FOR ANOTHER OUTPUT.
- 120 V AC INPUT AND 24 VOLTS DC OUTPUT.
- 24 VOLT DC INPUT AND OUTPUT.
- CONTACT OUTPUT.
- EXTRA PUSH BUTTON MOUNTED ON TOP WITH AN ADDITIONAL OUTPUT.
- PNEUMATIC OUTPUT.
- PLUG-IN (DIN) VALVE SOLENOID CONNECTOR MOUNTED ON OUTPUT CORD.
- TERMINAL BOX, WITH TERMINAL STRIP AND (2) 1/2" NPT CONNECTIONS. NO CONNECTOR CORDS INCLUDED.

**WARNING:** ALL RENCO CONTROLS ARE DESIGNED TO OPERATE PNEUMATIC VALVES AND CYLINDERS. THEY ARE NOT TO BE USED WITH FLYWHEEL PRESSES, BRAKE PRESSES OR SIMILAR DEVICES. IT IS THE BUYERS RESPONSIBILITY TO DETERMINE THE USE AND MOUNTING LOCATION OF THIS DEVICE. THIS EQUIPMENT PERFORMS THE FUNCTION OF A TWO HAND NO TIE DOWN CONTROL ONLY, ALL OTHER PRESCRIBED SAFETY DEVICES MUST BE USED WITH THIS EQUIPMENT. IT IS THE BUYERS RESPONSIBILITY TO DETERMINE THE PROPER APPLICATION, LOCATION AND USE OF THIS EQUIPMENT.

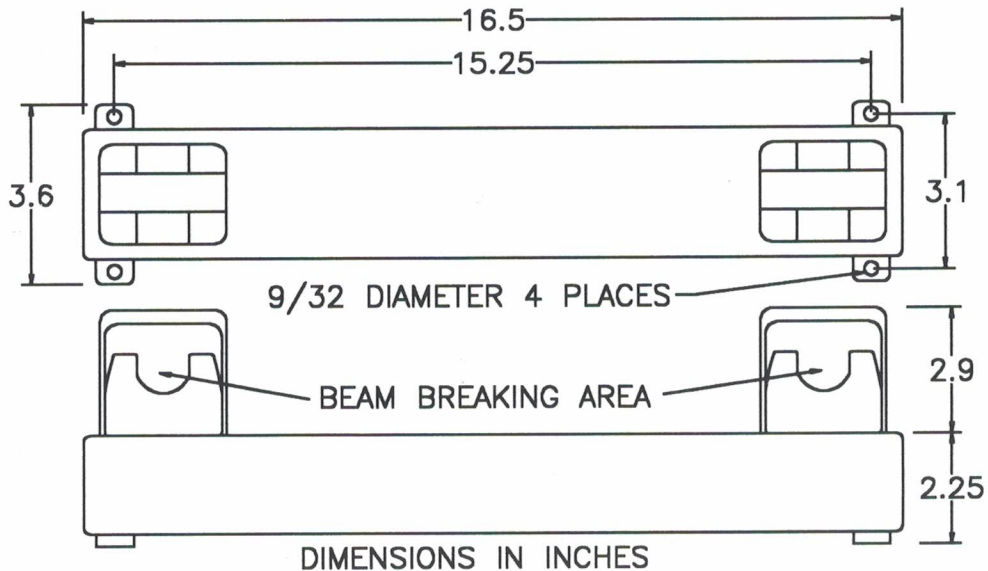
**RENCO, INC.**

6719 ALCOA ROAD, BENTON, ARKANSAS 72015 USA 501/565-0404 FAX 501/565-4796



# SERIES REN46

**WITH TOP MOUNTED PHOTOELECTRIC SENSORS.  
GIVES A MAINTAINED OUTPUT SIGNAL WHEN BOTH LIGHT  
BEAMS ARE BROKEN WITHIN .3 SECONDS AND HELD.**



- INSERT FINGERS TO BREAK LIGHT BEAMS, NO PRESSURE REQUIRED.
- COMPACT DESIGN WITH GUARDED FINGER SLOTS.
- INPUT AND OUTPUT CORDS INCLUDED.
- ROUNDED EDGES, NO SHARP EDGES OR CORNERS TO INJURE OPERATOR.
- QUICK AND SIMPLE INSTALLATION, BOLT THE CONTROL DOWN AND PLUG IN.
- NO OUTPUT IF CONTROL POWERED UP WITH BEAMS BROKEN.
- 120 V AC INPUT AND OUTPUT. OTHER CONFIGURATIONS AVAILABLE

**OPTIONS ARE AVAILABLE, SOME ARE SHOWN BELOW. CALL YOUR DISTRIBUTOR OR FAX 501/565-4796 AND REQUEST BULLETIN EO103 FOR A COMPLETE LIST.**

- CANCELABLE OUTPUT, WHEN A LIMIT SWITCH IS MADE THE OUTPUT IS CANCELED.
- ONE SHOT, PULSED OUTPUT. BUTTONS MUST BE RELEASED AND REAPPLIED FOR ANOTHER OUTPUT.
- 120 V AC INPUT AND 24 VOLTS DC OUTPUT.
- 24 VOLT DC INPUT AND OUTPUT.
- CONTACT OUTPUT.
- EXTRA PUSH BUTTON MOUNTED ON TOP WITH AN ADDITIONAL OUTPUT.
- PNEUMATIC OUTPUT.
- PLUG-IN (DIN) VALVE SOLENOID CONNECTOR MOUNTED ON OUTPUT CORD.
- TERMINAL BOX, WITH TERMINAL STRIP AND (2) 1/2" NPT CONNECTIONS. NO CONNECTOR CORDS INCLUDED.

**WARNING:** ALL RENCO CONTROLS ARE DESIGNED TO OPERATE PNEUMATIC VALVES AND CYLINDERS. THEY ARE NOT TO BE USED WITH FLYWHEEL PRESSES, BRAKE PRESSES OR SIMILAR DEVICES. IT IS THE BUYERS RESPONSIBILITY TO DETERMINE THE USE AND MOUNTING LOCATION OF THIS DEVICE. THIS EQUIPMENT PERFORMS THE FUNCTION OF A TWO HAND NO TIE DOWN CONTROL ONLY, ALL OTHER PRESCRIBED SAFETY DEVICES MUST BE USED WITH THIS EQUIPMENT. IT IS THE BUYERS RESPONSIBILITY TO DETERMINE THE PROPER APPLICATION, LOCATION AND USE OF THIS EQUIPMENT.

**RENCO, INC.**